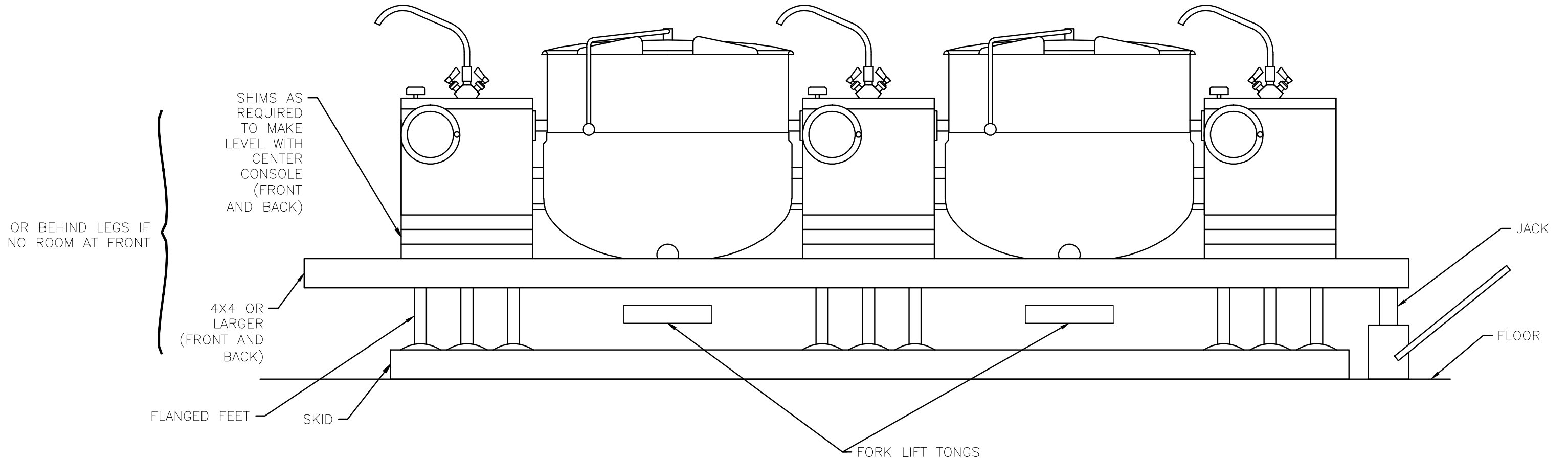


SHEET 1:

RECOMMENDED METHOD FOR REMOVING FROM SKID



- 1- WHILE STILL ON SKID, MOVE UNIT AS CLOSE TO FINAL INSTALLATION POSITION AS POSSIBLE.
- 2- PREPARE UNIT FOR LIFTING AS SHOWN IN DIAGRAM.
- 3- LIFT GENTLY WITH A FORKLIFT OR JACKS AND REMOVE SKID.
- 4- LOWER GENTLY TO GROUND AND REMOVE FORKLIFT AND BLOCKING.
- 5- GO TO SHEET 2

THIS DESIGN COVERS A PROPRIETARY ITEM AND IS THE PROPERTY OF CLEVELAND RANGE LTD.
THIS DRAWING IS NOT TO BE COPIED OR USED WITHOUT THE APPROVAL OF CLEVELAND RANGE LTD.

FOR GENERAL
TOLERANCES
REFER TO PWS-003

CLEVELAND RANGE LTD.
8251 KEELE STREET, CONCORD, ONTARIO, CANADA

TITLE

**INSTRUCTIONS DRAWING
WALL MOUNT KETTLES**

MATERIAL
TYPE & GRADE
FORM
SIZE
FINISH

DO NOT SCALE
PRINTED DRAWING

DRAWN BY

H.JAMSHIDI

DATE

03/24/09

SIZE
B

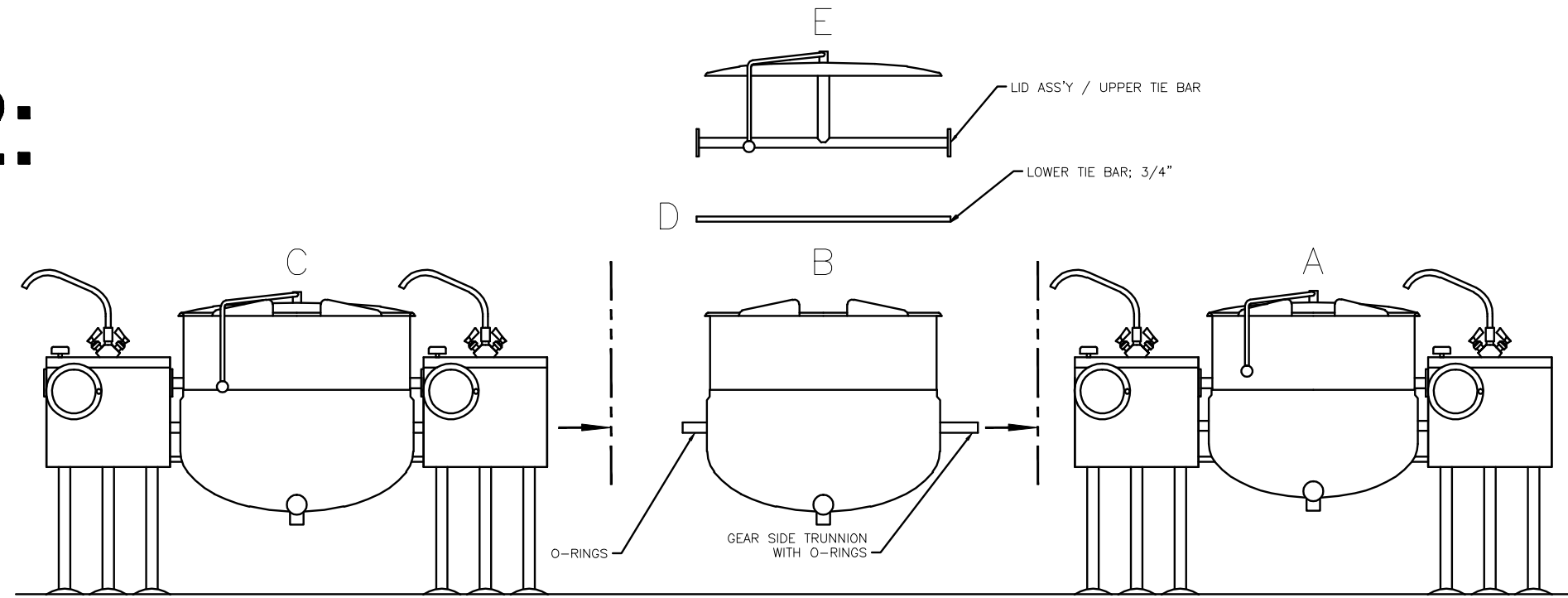
DRAWING NO.

KE603812

SHEET 1 OF 3

REV
A

SHEET 2:



1. POSITION RIGHT HAND KETTLE ASSEMBLY (A) IN FRONT AND ALIGNED WITH MOUNTING BOLTS. LEAVE SPACE BETWEEN ASSEMBLY AND WALL FOR TIE BAR INSTALLATION.
2. CAREFULLY MOVE KETTLE (B) INTO PLACE NEXT TO RIGHT HAND KETTLE ASSEMBLY. INSERTING TRUNNION INTO HOUSING DURING THE PROCESS. CARE MUST BE TAKEN THAT TRUNNIONS ARE NOT BENT AND/OR O-RINGS CUT. SUPPORT KETTLE.
3. SLIDE NEXT CONSOLE ASSEMBLY (C) INTO PLACE. INSERTING TRUNNION INTO HOUSING DURING THE PROCESS. CARE MUST BE TAKEN THAT TRUNNIONS ARE NOT BENT AND/OR O-RINGS CUT. SUPPORT KETTLE.
4. INSTALL LOWER TIE BAR (D). BOLTS FROM INSIDE CONSOLE.
5. INSTALL UPPER TIE BAR (E). THIS MAY COME WITH LID ASSEMBLY IF ORDERED. BOLTS FROM OUTSIDE.
6. REPEAT STEPS 2-5 AS REQUIRED.
7. GO TO SHEET 3

THIS DESIGN COVERS A PROPRIETARY ITEM AND IS THE PROPERTY OF CLEVELAND RANGE LTD.
THIS DRAWING IS NOT TO BE COPIED OR USED WITHOUT THE APPROVAL OF CLEVELAND RANGE LTD.

FOR GENERAL
TOLERANCES
REFER TO PWS-003

CLEVELAND RANGE LTD.
8251 KEELE STREET, CONCORD, ONTARIO, CANADA

TITLE

**INSTRUCTIONS DRAWING
WALL MOUNT KETTLES**

MATERIAL
TYPE & GRADE
FORM
SIZE
FINISH

DO NOT SCALE
PRINTED DRAWING

DRAWN BY

H.JAMSHIDI

DATE

03/24/09

SIZE
B

DRAWING NO.

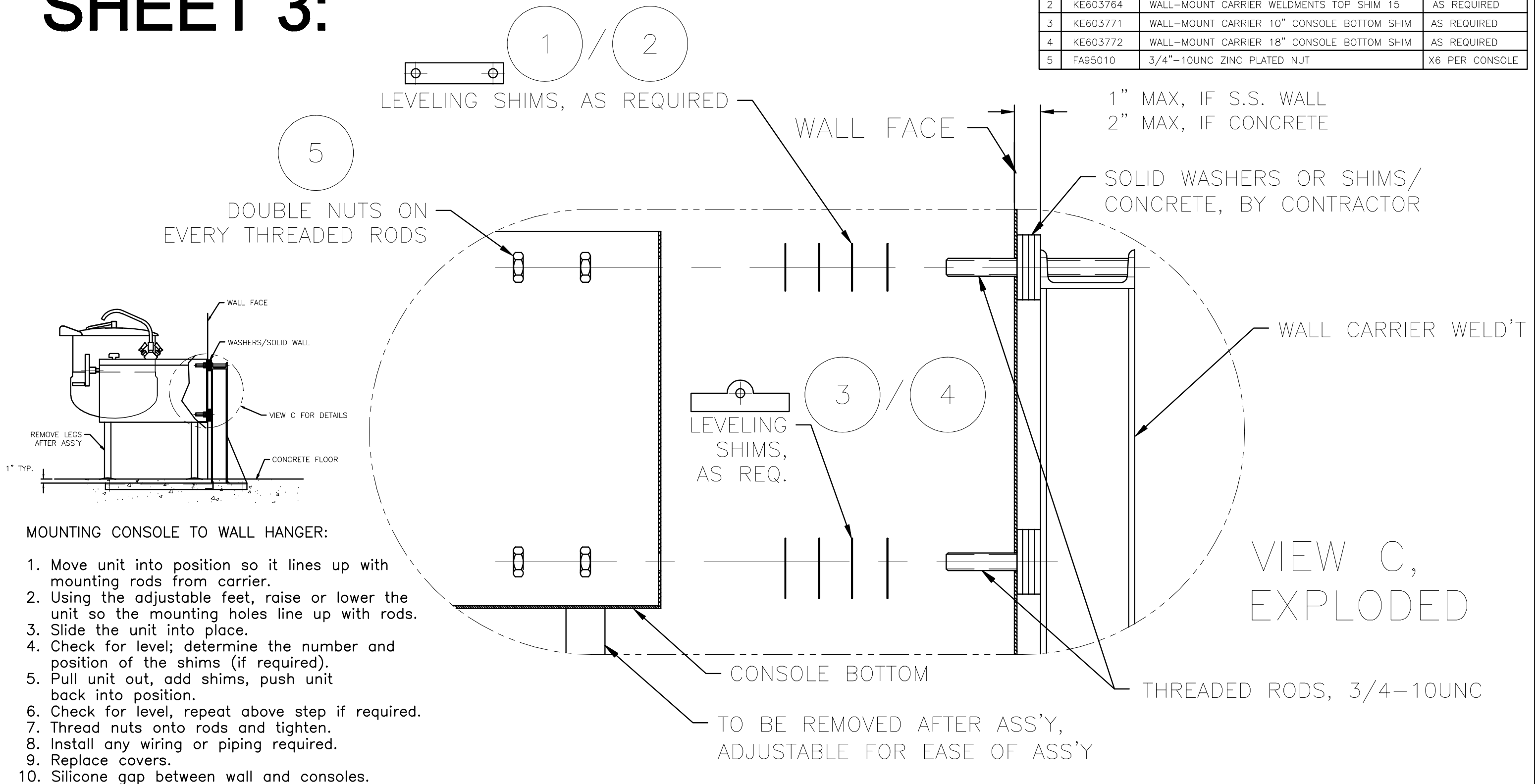
KE603812

SHEET 2 OF 3

REV
A

SHEET 3:

PART LIST			
IT.	P/N	DESCRIPTION	QTY
1	KE603763	WALL-MOUNT CARRIER WELDMENTS TOP SHIM 7 3/8	AS REQUIRED
2	KE603764	WALL-MOUNT CARRIER WELDMENTS TOP SHIM 15	AS REQUIRED
3	KE603771	WALL-MOUNT CARRIER 10" CONSOLE BOTTOM SHIM	AS REQUIRED
4	KE603772	WALL-MOUNT CARRIER 18" CONSOLE BOTTOM SHIM	AS REQUIRED
5	FA95010	3/4"-10UNC ZINC PLATED NUT	X6 PER CONSOLE



MOUNTING CONSOLE TO WALL HANGER:

1. Move unit into position so it lines up with mounting rods from carrier.
2. Using the adjustable feet, raise or lower the unit so the mounting holes line up with rods.
3. Slide the unit into place.
4. Check for level; determine the number and position of the shims (if required).
5. Pull unit out, add shims, push unit back into position.
6. Check for level, repeat above step if required.
7. Thread nuts onto rods and tighten.
8. Install any wiring or piping required.
9. Replace covers.
10. Silicone gap between wall and consoles.

<small>THIS DESIGN COVERS A PROPRIETARY ITEM AND IS THE PROPERTY OF CLEVELAND RANGE LTD. THIS DRAWING IS NOT TO BE COPIED OR USED WITHOUT THE APPROVAL OF CLEVELAND RANGE LTD.</small>		<small>FOR GENERAL TOLERANCES REFER TO PWS-003</small>		CLEVELAND RANGE LTD. 8251 KEELE STREET, CONCORD, ONTARIO, CANADA		TITLE INSTRUCTIONS DRAWING WALL MOUNT KETTLES	
MATERIAL TYPE & GRADE						SIZE B	
FORM				DO NOT SCALE PRINTED DRAWING		DRAWING NO. KE603812	
SIZE		DRAWN BY H.JAMSHIDI		DATE 03/24/09		SHEET 3 OF 3	
FINISH						REV A	