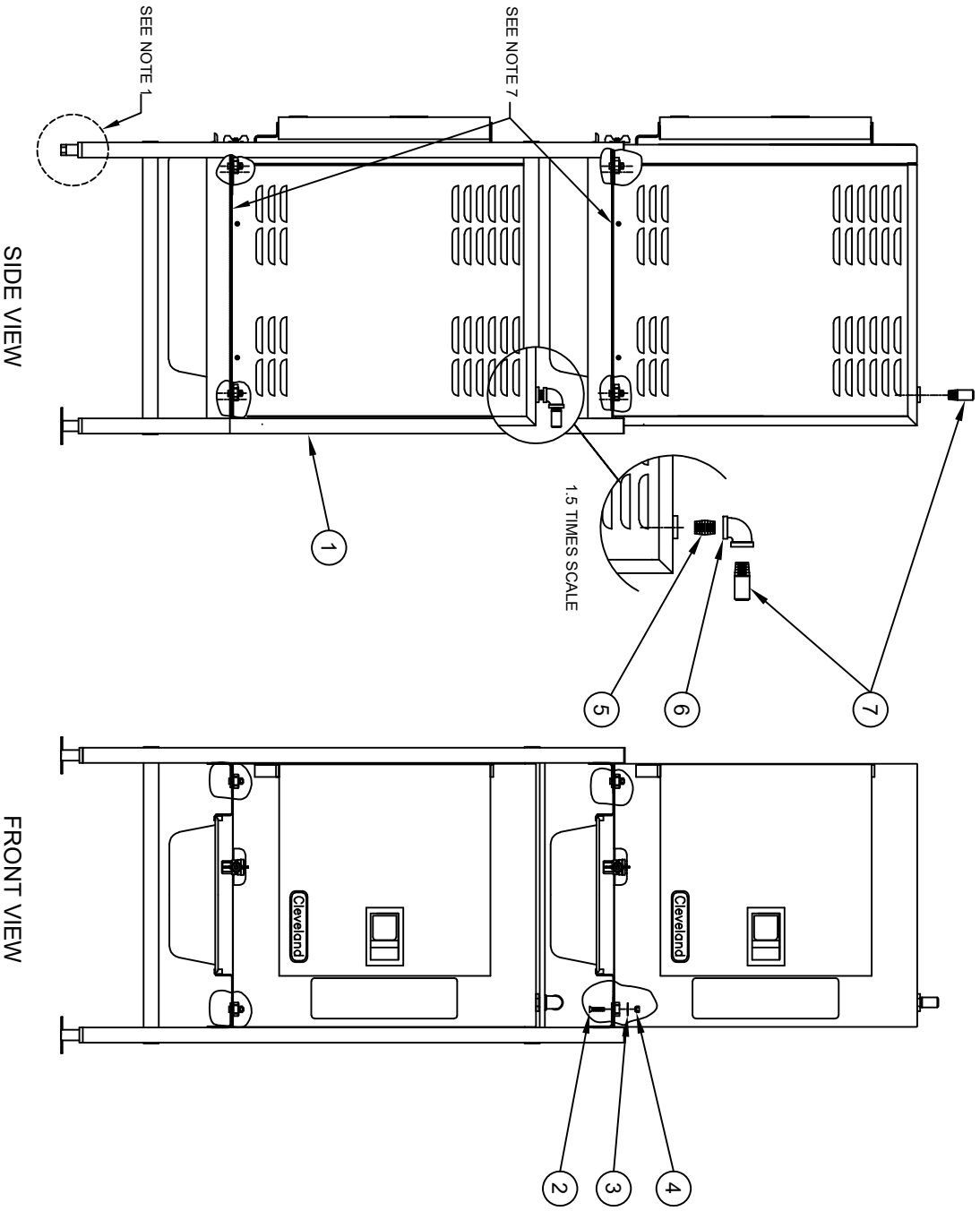


LET.	REVISIONS	DATE	BY
A	PRODUCTION RELEASE PER EDC-6461R1	10-10-03	CFS
-	(REF ECR# 02-092)	-	-
B	ADD NOTE 7; RE-NUMBERED NOTES PER PC170246	06-22-17	IG

NOTES

1. NOTE BULLET FEET GO TO THE FRONT.
2. SET THE STEAMERS ON TO THE STAND, CENTERING THE LEG MOUNTING NUTS OVER THE FRONT SET OF OPENINGS IN THE LOWER STAND RAILS.
3. ATTACH THE STEAMERS TO THE STAND USING THE 8 SETS OF SCREWS, NUTS AND WASHERS PROVIDED (ITEMS 2, 3 AND 4).
4. INSTALL THE STEAM VENTS (ITEMS 5, 6 AND 7) ONTO THE UNITS AS SHOWN. BE SURE TO USE A NON-HARDENING THREAD SEALANT ON ALL THREADED JOINTS.
5. SEE INSTALLATION INSTRUCTIONS P/N 1SC-OPM FOR ADDITIONAL DETAILS OF STEAMCUB INSTALLATION.
6. SUPPLIED WITH STEAMER, NOT PART OF THE KIT.
7. SEAL ANY GAPS BETWEEN THE STEAMERS AND THE STAND WITH A SUITABLE RTV SEALANT (NOT PROVIDED)



SEE NOTE 6

ITEM	QTY	PART NO.	DESCRIPTION
7	2	143261	NIPPLE, 1/2" NPT X 2.0", BRASS, TOE
6	1	06250	ELBOW, 90 DEG, 1/2" NPT, BRASS
5	1	14324	NIPPLE, 1/2" NPT X CLOSE, BRASS
4	8	14665	NUT, HEX 1/4-20 LOCK, SST (NYLON INSERT)
3	8	108177	WASHER, FLAT, 1/4" ID X 1" OD, 0.050 THICK, SST
2	8	108175	SCREW, 1/4-20, X 1.250, CS, SST
1	1	1095981	EQUIPMENT STAND, ASSEMBLY, CUB STACKED, ES2469

CLEVELAND RANGE, LLC			
1433 East 179th St., Cleveland, Ohio 44110-2974			
THE USER AGREES TO HOLD CLEVELAND RANGE, LLC HARMLESS FROM AND TO DEFEND AND HOLD CLEVELAND RANGE, LLC HARMLESS FROM AND TO INDEMNIFY CLEVELAND RANGE, LLC FROM AND AGAINST ALL SUCH DAMAGES, LOSSES AND EXPENSES, INCLUDING REASONABLE ATTORNEY'S FEES, THAT MAY BE INCURRED BY CLEVELAND RANGE, LLC AS A RESULT OF THE USER'S USE OF THIS PRODUCT.			
TOLERANCES UNLESS NOTED OTHERWISE	PRINTED DRAWING	DRAWN BY	DATE
F.030	ASSY INSTRUCTION, STACKED STEAMCUB STAND, P/N ES2469	CFS	6-26-03
ANGULAR ±1°	SIZE DRAWING NO. 260AWX	SHEET 1 OF 1 REV. B	