

REPLACING ELECTRICAL BOILER for 2 PROBE / 2, 3, & 4 HEATER BOILER BASES KIT P/N 438942

- These kits are intended for use with Cleveland Range products only.
- Misuse of these kits, or parts therein, can result in personal injury, product or property damage, and voiding of product warranties.

NEW ELECTRIC BOILER KIT PARTS LIST

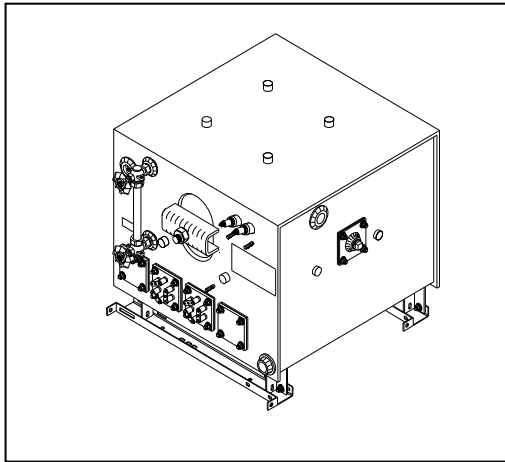
ITEM	PART NO.	DESCRIPTION	QTY
1	113783	ASSEMBLY, 2 PROBE, ELECTRIC BOILER	1
2	14352	NIPPLE, 3/4 X 4 LG, SCH 40, BRASS	1
3	20249	TEE MALE RUN 3/4IN, BRASS	1
4	16607	PLUG, SQ HD, 3/4 PIPE, BRASS	2
5	14328	NIPPLE 1/2 X 2.00, SCH 40, TBE, BRASS	1
6	14476	NIPPLE 1/4 X 2.00, SCH 40, TBE, BRASS	1
7	05235	ELBOW, STREET, 1/4 X 90 DEG, BRASS	1
8	110817	ELBOW, STREET, 1/4 X 45 DEG, BRASS	1
9	105786	FTG, HOSE BARB, 1/4 H X 1/4 MPT, 90 DEG, BRASS	1
10	05223	ELBOW, STREET, 45 DEG, 1/2 NPT, BRASS	1
11	14342	NIPPLE, 3/4 CLOSE, BRASS	1
12	05260	ELBOW, 90 DEG, 3/4, BRASS	1
13	1052481300	CONDUIT, GREENFIELD, 3/8 X 13" LG	1
14	14343	NIPPLE, 3/4 X CLOSE, BLACK	2
15	05258	ELBOW; 90 DEG. 3/4 IN; BLACK	1
16	20205	TEE; 3/4 IN; BLACK	1
17	109793	SWITCH ASSY, SERVICE LOW WATER CUT-OFF	1
18	40462	PROBE ASSEMBLY	2
19	113718	EXTENSION SET, TWO PROBE, ELECTRIC GENERATOR	1
20	110319	GAUGE GLASS ASSEMBLY BOILER BASE	1
21	109230	COVER, PROBES FOR 2-PROBE GENERATOR	1
22	109299	LABEL, PROBE COVER, 2-PROBE	1
23	260BFL	INSTRUCTION, 2-PROBE ELECTRIC BOILER ASSEMBLY	1
24	KIT-1E	KIT, SERVICE BOILER; FOR ELECTRIC BOILER, USING 109913	1

1333 East 179th Street
 Cleveland, Ohio 44110
 Phone: (216) 481 - 4900
 1-800-338-2204
 Fax: (216) 481 - 3782
www.clevelandrange.com

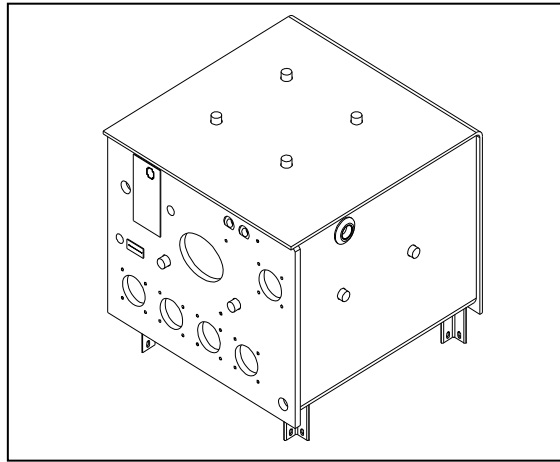


NOTE: When replacing an old style boiler (P/N 408201), it will be necessary to reconfigure the boiler drain; water feed assemblies and the pressure relief valve in order to provide the fitting connections for descaling with Cleveland Range Pump descaler kit Part Number 107142, additional parts are provided within this kit to accommodate this change. The actual final changes necessary will depend on the base in which the boiler is being replaced.

Old Style Boiler Design (408201)



New Style Boiler (109913)



REMOVAL OF EXISTING BOILER

1. Remove all components necessary to remove the old boiler from cabinet.

NEW ELECTRIC BOILER RE-ASSEMBLY

1. Reinstall the pressure safety valve assembly in the upper left corner of the boiler above the gauge glass, as shown using existing parts and the additional parts noted from this kit.

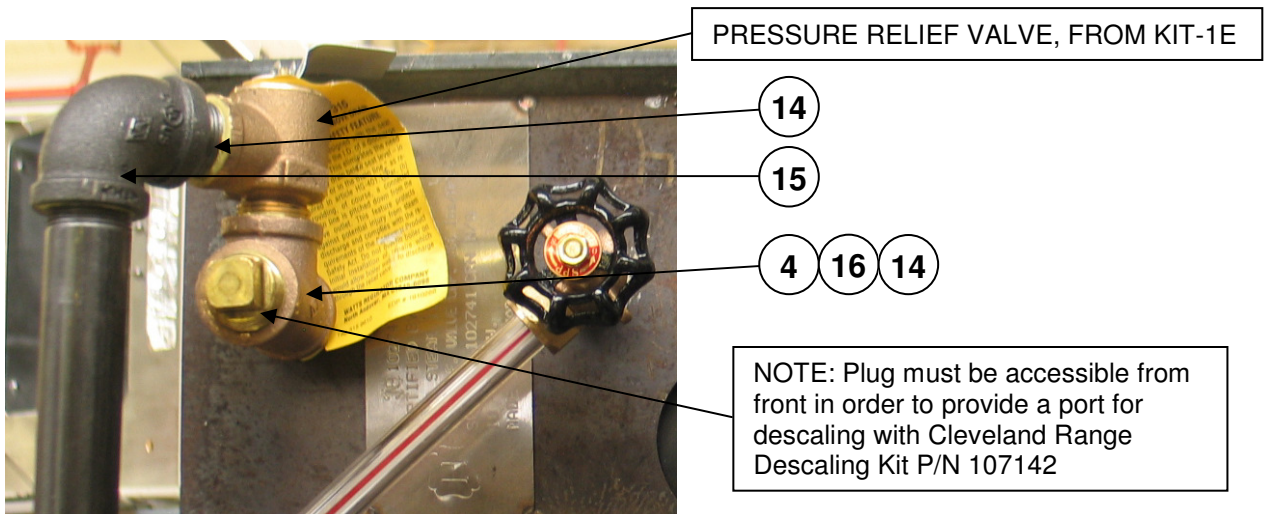
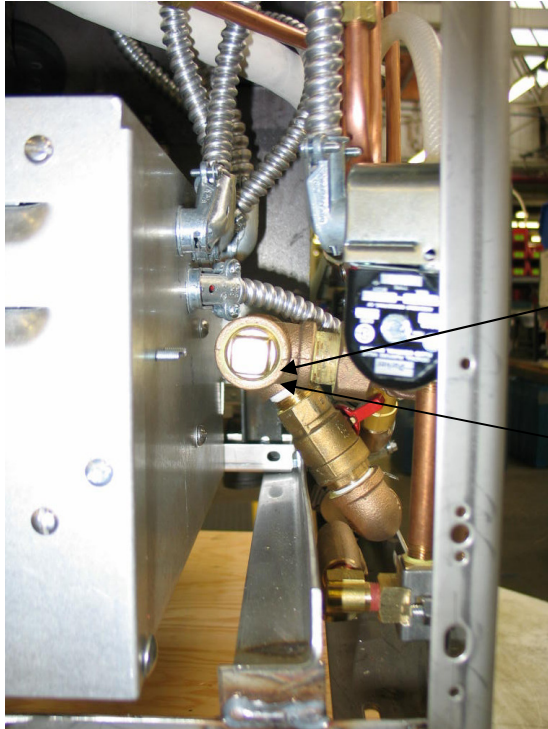


Figure 1

2. Install new “Blow Down Piping/Boiler drain assembly”, it will be necessary to reconfigure the drain such that a plug can be installed facing forward in the drain to accommodate the Pump descaler kit. This is necessary since the new electric boiler design cannot accommodate a handhold plate with descaling fittings built into it, as did our previous design. On most models, reconfiguring the drain to accommodate the descaling port will be relatively simple.

This does become more difficult for units installed on a 24” base, for these models please build the assemblies exactly as noted in the drawings and instructions found on pages 4-5 of this instruction.



NOTE: Plug must be accessible from front in order to provide a port for descaling with Cleveland Range Descaling Kit P/N 107142

3 4

Figure 2

3. Reinstall the “Water Feed assembly”. Adjust assembly as necessary in order to be able to access the fittings when the installation is complete.
4. Install the new Water level Probes (item 18) and Probe extensions (item 19) as shown on the general assembly instruction 260BFL. (Note: the longer probe is on the left)
5. Reinstall the heating elements and the electric box (See instruction 260BFL, which shows 2 element installation, add additional elements to match replaced boiler)
6. Install the secondary low water cutoff (item 17) provided.
7. Install the new Gauge Glass Assembly (item 20) provided.
8. Install the new Probe cover (item 21) and probe cover label (item 22), and rewire the unit according to the original wiring diagram. Note it may be necessary to adjust some conduit lengths as some devices maybe slightly relocated from the original component location.
9. Fully test unit for water leaks and that the unit is operating properly.

Revising Drain Plumbing on 24” Base Models

1. As noted previously installing the drain on 24” bases to accommodate the descale port is a little more complicated on our 24”bases. In order to fit all of the necessary components onto your steamer we recommend using the parts provided with this kit and those found in the original installation to first assemble the subassemblies shown on page 5.
2. Once assembled these subassemblies can be installed as shown in Figure 3, to provide access to the Descale port required for use with a Cleveland Range Descaling Kit



Figure 3 Layout for Drain for 24” Boiler Shown Installed

Index for Figure 4 (* indicates part is included with this kit)

ITEM	PART NO.	DESCRIPTION	QTY
1	14352*	NIPPLE, 3/4 x 4 LG, SCH 40 BRASS	1
2	20206	TEE, 3/4, BRASS	1
3	20249*	TEE MALE RUN 3/4IN, BRASS	1
4	16607*	PLUG, SQ HD, 3/4 PIPE, BRASS	1
5	02566	BUSHING, REDUCER 3/4" X 1/2"	1
6	14328*	NIPPLE .50NPT X 2.00 SCH 40, TBE, BRASS	1
7	22221	VALVE, SOLENOID, 1/2" DRAIN	1
8	14476*	NIPPLE .25NPT X 2.00, SCH 40, BRASS TBE	1
9	05235*	ELBOW, STREET 1/4 X 90° BR, LONG PATTERN	1
10	110817*	ELBOW, STREET, 1/4X45 DEG. BRASS	1
11	03276	VALVE, BALL, 1/4 BRASS MALE-FEMALE, FULL PORT	1
12	22102	VALVE, SWING CHECK, 1/4IN, BRASS	1
13	105786*	FTG, HOSE BARB, 1/4Hx1/4MPT, 90°, BRASS	1
14	05223*	ELBOW, STREET, 45 DEG., 1/2" NPT, BRASS	1
15	06241	FTG, HOSE BARB, 3/4Hx1/2MPT, BRASS	1
16	14342*	NIPPLE, 3/4 CLOSE, BRASS	1
17	03277	VALVE, BALL, 3/4IN, MALE/FEMALE	1
18	05260*	ELBOW, 90°, 3/4 BRASS	1
19	06240	FTG, HOSE BARB, 3/4 X 3/4 MPT	1
20	05263	ELBOW, UNION RADIATOR, 3/4 X 3/4 BRASS	1

Sub assemblies for Drain for 24" Boiler

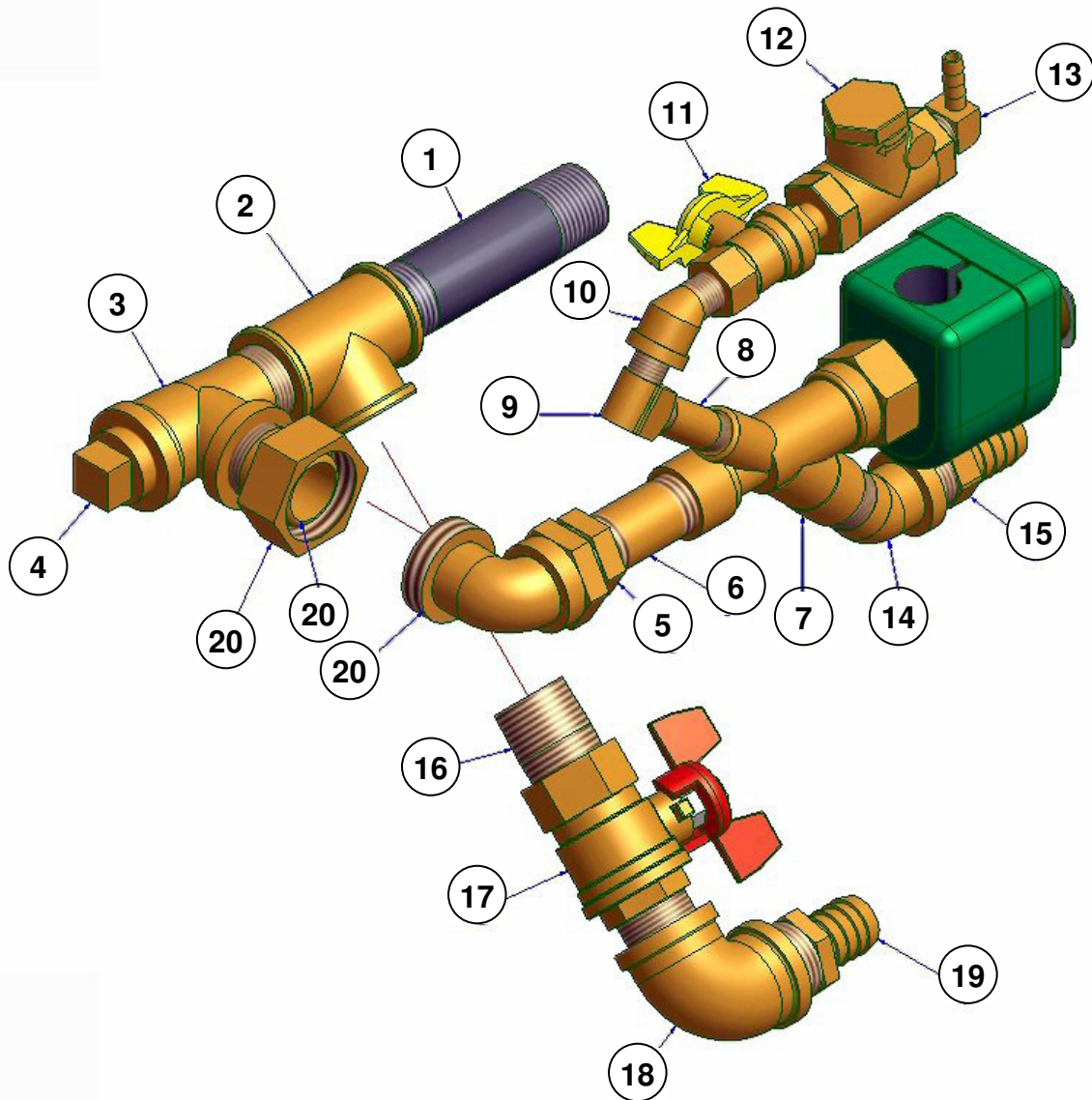


Figure 4
(See previous page for legend)