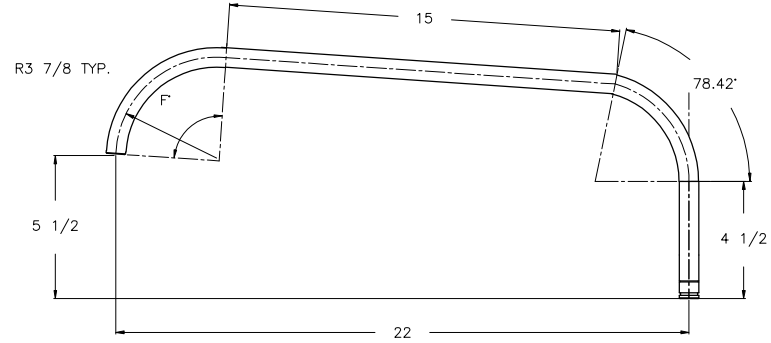
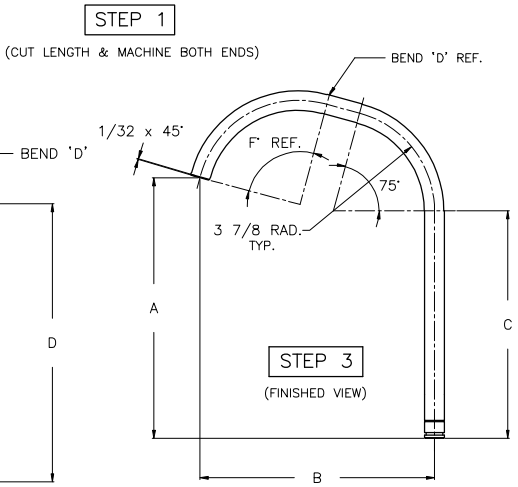
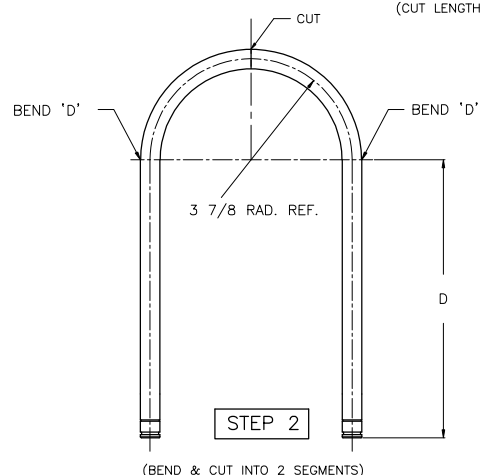
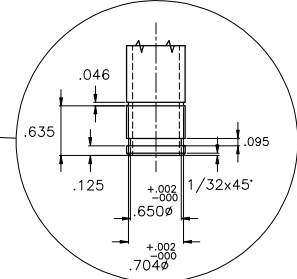
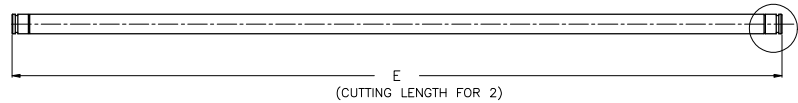


DWG. NO.	REV.	A	B	C	D	E	F (DEG.)	WHERE USED
KE50825-1	B	25 1/2	9	24 1/8	30 5/8	73 9/16	90°	KDT-12/20-T (MOUNTED ON SD TABLES)
KE50825-2	C	12 1/2	14	9 25/32	21 15/32	55 1/4	90°	KDL-60/80/100-T, KEL-40/60/80/100-T, KET-20-T, KGL-60/80-T, KGT-6/12-T, MKET-12/20-T, KDP-60/80-T, KDM-60/-T
KE50825-3	C	7 13/16	16	4 27/32	18 17/32	49 3/8	90°	KDL-25/40-T, KEL-25-T, KGL-40-T, KDP-25/40-T, KGL-40-TSH
KE50825-4	B	8 5/8	22	3 3/4	23 3/4	59 3/4	90°	WATER METER(WM)
KE50825-5	B	6	8	4 7/8	10 3/8	33	90°	ALL STATIONARY KETTLES
KE50825-6	D	10	9	8 5/8	15 1/8	42 9/16	90°	KDM-25/40/-T, SKILLET-TR, SET-10/15
KE50825-7	B	6 5/32	14	2 3/4	14 21/32	40 1/4	80°	MKDL-40 TO 150, KDL-40/60/80-TSH & KEL-40/60-TSH, KGL-25-T
KE50825-8	D	17 1/2	11	14 5/8	22 1/2	57 1/16	90°	KDT-6-T (MOUNTED ON SD & ST STAND)
KE50825-9	C	10	12 1/4	6 7/8	16 7/16	45.5	90°	TKET-3/6/12-T, KET-3/6/12-T
KE50825-10	A	13 1/2	18 1/2	9 9/16	25 15/16	64 3/16	90°	KDL-125/150-T
KE50825-11	B	17	22 7/8	12	32 13/16	78	90°	HA-MKGL-60/80/100-T
KE50825-12	A	5 1/2	22	4 1/2	24.5	62.33	90°	MKDL-200

#	DESCRIPTION	DATE	APPROVED
C1	KE50825-8 REVISED: DIMA WAS 16, DIMB WAS 9, DIMD WAS 21 1/8, DIM. E WAS 54 9/16 AND ADDED ST STAND IN COLUMN WHERE USED	02/23/2010	L.Suditu

△ C1



MKDL-200 ONLY.

THIS DESIGN COVERS A PROPRIETARY ITEM AND IS THE PROPERTY OF CLEVELAND RANGE LTD. THIS DRAWING IS NOT TO BE COPIED OR USED WITHOUT THE APPROVAL OF CLEVELAND RANGE LTD.		FOR GENERAL TOLERANCES REFER TO PWW-043		CLEVELAND RANGE LTD. 8251 KEELE STREET, CONCORD, ONTARIO, CANADA		TITLE SPOUT; FAUCET ALL	
MATERIAL S.S. 304 TYPE & GRADE FORM SEAMLESS MECHANICAL TUBING SIZE 3/4 O.D. x .062 wall thk. FINISH #4		DO NOT SCALE PRINTED DRAWING		DRAWN BY DATE 2/28/2007		SIZE B DRAWING NO. KE50825 SHEET 1 OF 1 REV C1	