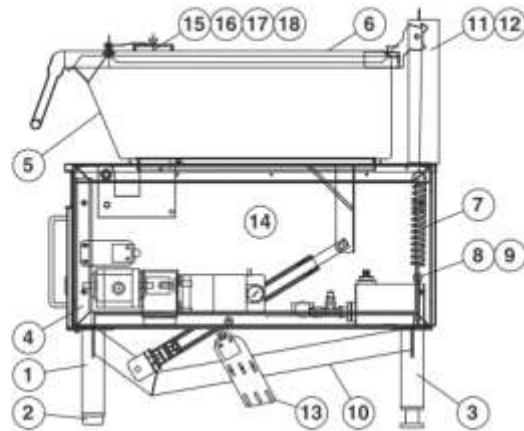


## ADDING COVER TO TR SKILLET

The following instructions are for adding a new backguard and cover to a existing skillet that has no cover. Instructions and parts list apply only to a TR 40 gallon skillet built in the production years of 2013 and 2014.

**FRAME / LID  
ASSMEBLY**



### **warning**

Improper adjustment or alteration can cause property damage, injury or death. Have a qualified service agent perform this rework.

1. Remove electrical power from unit
2. Turn Gas supply off
3. Insure unit is cold before performing this retrofit.

1. Remove backguard back (#12)
2. Remove backguard Assembly (#11)
3. Install new backguard. Tighten all four bolts



---

4. Install spring assembly at base (#7,8,9)  
Leave adjustment nut as loose as possible.



- 
- 5. Position cover on skillet with hinges pushed through slots on backguard
  - 6. Push bronze bearings through holes in hinge



- 
- 7. Have a assistant lift cover
  - 8. Bolt cover in place



- 
9. Place connecting rod through hole and hook to hinge.



- 10. Hook connecting rod to spring.
- 11. Adjust tension on both springs evenly until cover will stay open in upright position.



- 12. Reinstall backguard
- 13. Reconnect utilities

**Parts List**

TR Skillet

Item	Part Number	Description	Qty
1	SK24571-1	Cover, 30 gallon	1
	SK24571-2	Cover, 40 gallon	
2	SK2452300	Spring	2
3	SK2529499	Hook weldment	2
4	SK23724-1	Hook	2
5	SK2357300	Bearing	2
6	F909	Bolt	2
7	FA30505-1	washer	2
8	FA20008	Nut	2
9	KE003605	Backguard 30 gallon TR	1
	KE003605-1	Backguard 40 gallon TR	