

UNISTAND25

STEAMCRAFT® EQUIPMENT STANDS OPEN TYPE
STAND, ALL STAINLESS STEEL

Project _____
 Item _____
 Quantity _____
 FCSI Section 11400 _____
 Approved _____
 Date _____

SteamCraft® Generator Style High Speed Convection Steamers

Models

- UNISTAND25 - Stacking Stand used for stacking two 21-CET-8's or two direct stacked 2-CET-3's with Chefstack3 kit.
- UNISTAND34 - Stand used for a single unit 21-CET-8, 21-CET-16 or 21-CGA-5 or STEAMCUB or STEAMCHEF.



Shown With Optional Pan Rack Kit & Pullout Shelf

Standard Features

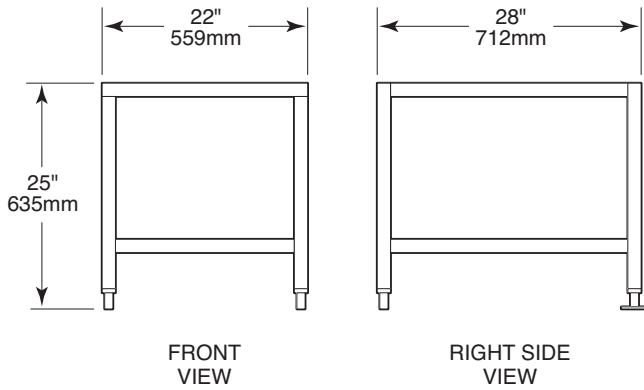
- Preset mounting holes for positioning unit into proper location
- All stainless steel welded construction with 1 1/4" square tubing
- Level adjustable feet (rear feet are flanged for floor bolting)
- Stainless steel bottom shelf

Options & Accessories

- POSK Pull-Out Shelf Kit (P/N 111724)
- URK Pan Rack Kit (P/N 111726)

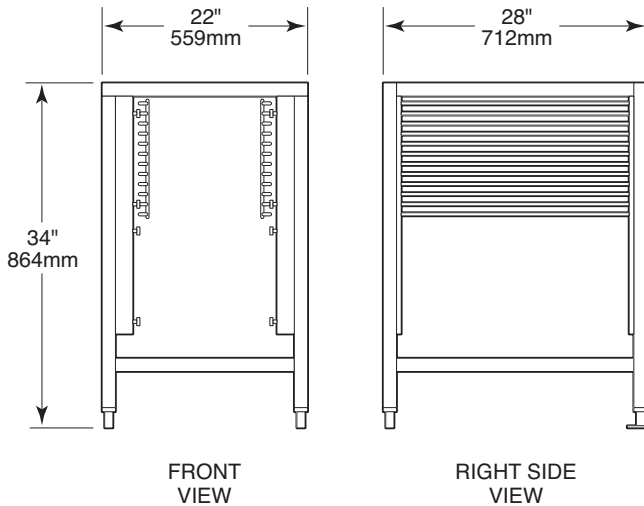
Short Form Specifications

Shall be CLEVELAND, ES _____ open type Equipment Stands for mounting one or two SteamCrafts®. All Stainless Steel welded construction with 1 1/4" square tubing. Furnished with Level Adjustable Feet (rear feet are flanged for floor bolting). Preset mounting Holes for positioning unit into proper location.



MODEL: UNISTAND25
 STACKING STAND USED
 FOR STACKING:

TWO- 21-CET-8's
 or
 TWO- direct stacked 2-CET-3's
 (with Chefstack3 kit).



MODEL: UNISTAND34
 STAND USED FOR MOUNTING
 one of the following:

ONE- 21-CET-8
 or
 ONE- 21-CET-16
 or
 ONE- 21-CGA-5
 or
 ONE- STEAMCUB
 or
 ONE- STEAMCHEF

SHOWN WITH OPTIONAL
 PAN RACK KIT AND PULLOUT SHELF

NOTES:

Cleveland Range reserves right of design improvement or modification, as warranted.
 Many regional, state and local codes exist and it is the responsibility of the owner and installer to comply with the codes.
 Cleveland Range equipment is built to comply with applicable standards for manufacturers. Included among those approval agencies are U.L./NSF#4 and CSA (AGA, CGA).

(NOT TO SCALE)