



COOK/CHILL VERTICAL TUMBLE CHILLERS

MODELS: P-TC-220
 P-TC-320



Cleveland Standard Features

- Load capacity for up to 220 or 320 gallons of packaged product.
- All stainless steel construction throughout
- Solid state controls for:
 - Start/Stop
 - Chill Cycle rotation
 - Oscillation mode
 - Cleaning cycle
 - Digital temperature display
 - 99-minute digital countdown timer
 - Cycle completion light
- Fully-insulated, large stainless steel, perforated rotating drum
51" or 65" diameter by 43" long, driven by a Eurodrive motor at 7 RPM.
- Heavy-duty front loading door with water tight seal and automatic safety lock.
- Angled loading chute for product loading while drum is rotating.
- Choice of full drum rotation or oscillation mode.
- Pre-piped, highly-efficient built-in "plate type heat-exchanger" with back-flush cleaning feature.
- Pre-piped, built-in 11/2 HP water circulation pump.
- Large in-line basket strainer for chilled water loop to protect heat-exchanger.
- Automatic water fill with two selectable water level settings for full and half product load.
- Dependable air-powered solenoid valves.
- Automatic dispenser for sanitizing solution.
- Hot water connection for drum cleaning (No steam hookup required).
- Pre-piped for single point connections to utilities.
- Available with left or right hand operating controls.
- Accepted for use in USDA inspected facilities.

ITEM NUMBER _____

JOB NAME / NUMBER _____



Model P-TC-220 shown with optional Re-use Tank

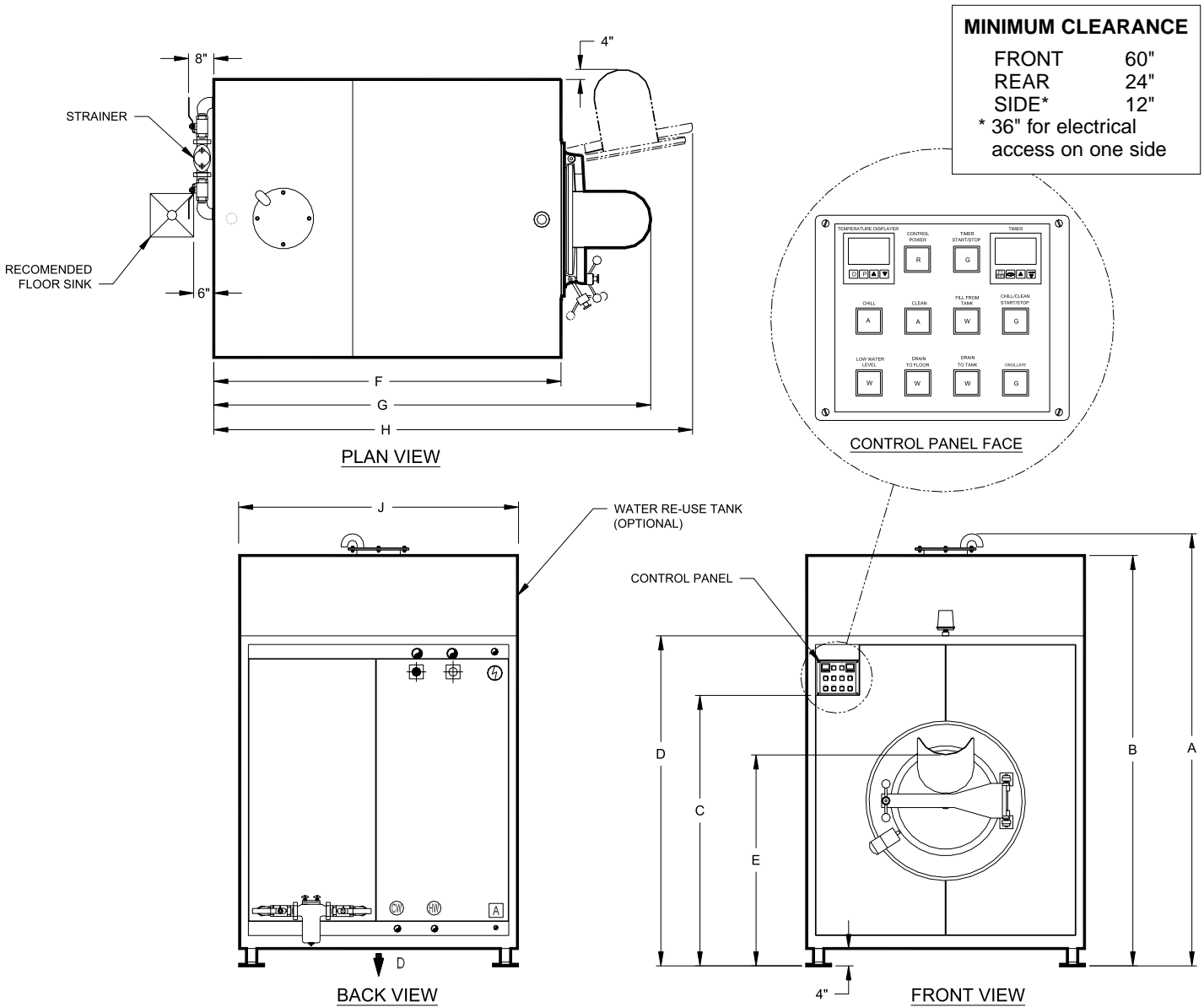
Short Form Specifications

Shall be CLEVELAND Model P-TC-___, COOK/CHILL VERTICAL TUMBLE CHILLER; All stainless steel construction; capacity for up to ___ gallons of product load; fully-insulated ___" diameter by 43" long perforated drum; built-in plate heat-exchanger; automatic dispenser for sanitizing solution; solid state controls for full drum rotation; oscillation mode; cleaning cycle; digital temperature display; countdown timer; two water level set points; hot water for cleaning. (No steam hook-up required.)

Options & Accessories

- Stainless steel chilled water re-use tank, mounted on top of machine for space savings.
- Product landing table
- Conveyor for automatic product loading
- Right hand controls (left hand door hinging)

- Ice Builders
- Condensing Units for Ice Builders
- Ice Water Control Panel
- Lockable cover over controls



SPECIFY LEFT OR RIGHT HAND DOOR HINGING

DIMENSIONS

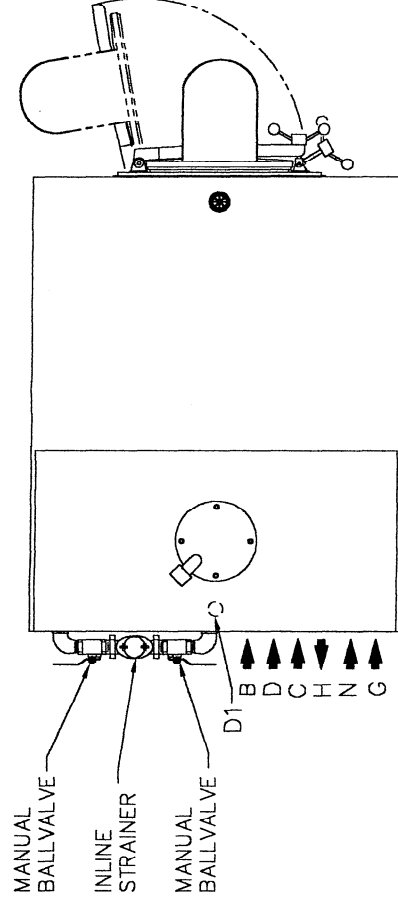
MODEL	A	B	C	D	E	F	G	H	I
P-TC-220	98"	93"	63"	77"	53 1/2"	82"	107"	115"	64"
P-TC-320	109"	104"	63"	88"	62"	90"	116"	131"	80"

UTILITY CONNECTIONS

MODEL	CHILLED WATER INLET	CHILLED WATER RETURN	COLD WATER	HOT WATER	AIR INLET	DRAIN	ELEC-TRICAL
						D	208V/3PH/60Hz
P-TC-220	1 1/2" NPT 75 GPM	1 1/2" NPT	1" NPT 30 GPM	1" NPT 30 GPM	1/2" NPT 1 CFM/65 PSI	1 1/2" NPT 30 GPM	17 AMPS
P-TC-320	2" NPT 80 GPM	2" NPT	1" NPT 30 GPM	1" NPT 30 GPM	1/2" NPT 1 CFM/65 PSI	2" NPT 30 GPM	28 AMPS

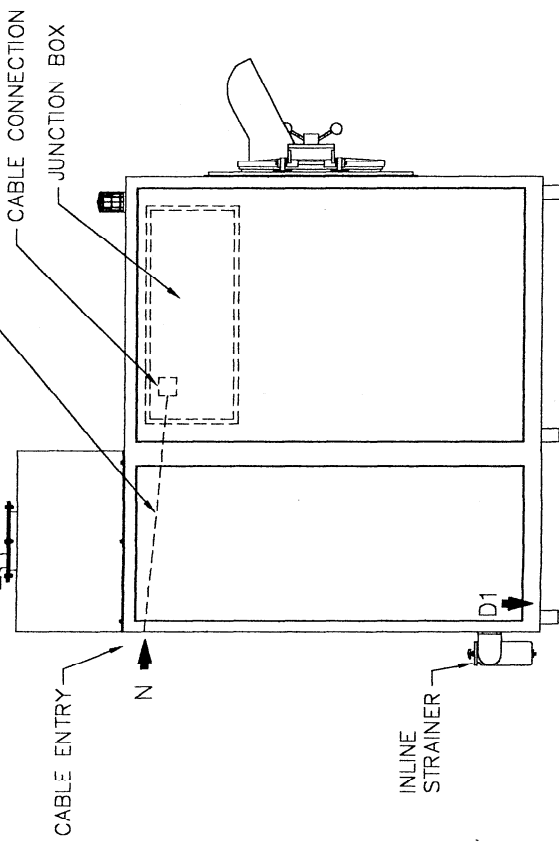
UTILITY CONNECTIONS:

- B. 1" NPT COLD POTABLE WATER IN
- C. 1" NPT HOT POTABLE WATER IN
- D. 1 1/2" NPT COOLING WATER IN
- D1. 2" NPT TANK DRAIN TO FLOOR DRAIN
- G. 1/2" NPT AIR IN
- H. 1 1/2" NPT COOLING WATER RETURN
- N. MAIN POWER SUPPLY

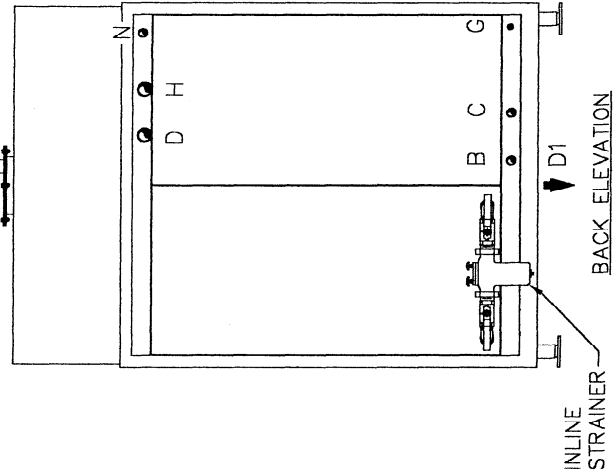


TOP VIEW

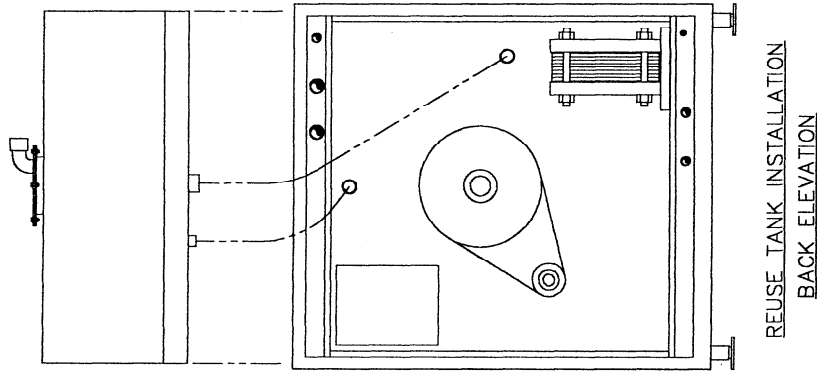
1 1/2" NPT RESERVOIR
TANK OVERFLOW TO
FLOOR DRAIN



SIDE ELEVATION



BACK ELEVATION



REUSE TANK INSTALLATION
BACK ELEVATION

B	ADDED RES TANK OVER FLOW LINES	12/01
A	ADDED INLINE STRAINER	08/17/00
REV.	DESCRIPTION	BY DATE
REVISIONS		

J.C.PARDO & SONS INC.
1280 REAMES RD. BALTO MD. 21220
PHONE (410) 891-9600 FAX (410) 891-9600

200 GALLON TUMBLE CHILLER
UTILITY CONNECTIONS
J.C. PARDO & SONS INC.
1280 REAMES RD. BALTO MD. 21220
PHONE (410) 891-9600 FAX (410) 891-9600

INSTALLATION INSTRUCTIONS

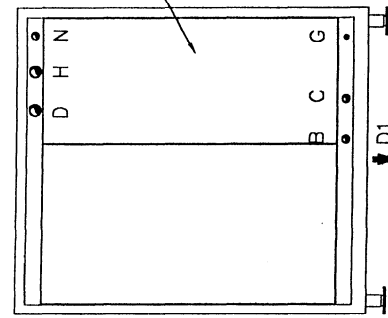
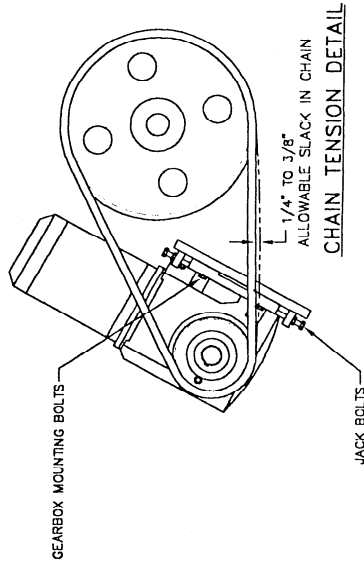
DISCONNECT ALL POWER TO THE CHILLER BEFORE WORKING ON ANY OF THE DRIVE COMPONENTS.

1. LEVEL CHILLER TANK SIDE TO SIDE AND FRONT TO BACK. THE MAX. FEET ADJUSTMENT IS 3/4". IF THIS IS NOT ENOUGH THEN ADD SPACERS UNDER THE FLOOR FLANGES.
2. IF THE CHILLER TANK IS NOT LEVEL THE REMOVABLE ACCESS PANELS WILL NOT FIT PROPERLY AFTER BEING REMOVED.
3. REMOVE BACK PANELS AND MAKE ALL UTILITY CONNECTIONS.
4. CHECK DRIVE ASSEMBLY TO ENSURE ALL BEARINGS, SPROCKETS AND CHAIN ARE TIGHT AND SECURE.
5. CHECK ALL COMPONENTS IN THE PLUMBING SYSTEM TO BE SURE THEY DID NOT VIBRATE LOOSE DURING SHIPMENT. (HEAT EXCHANGER, CIRCULATING PUMP ETC.)
6. NEXT TURN POWER TO CHILL TANK ON. START FILLING TANK (SEE OPERATING INSTRUCTIONS). CHECK THE CIRCULATING PUMP ROTATION VS THE DIRECTION MARKED ON THE PUMP BODY. IF THE PUMP IS RUNNING BACKWARDS THEN SHUT OFF ALL CONTROLS AND POWER, THEN REVERSE PUMP ROTATION. (ROTATING DRUM CAN ROTATE EITHER DIRECTION)
7. CAUTION: ROTATING DRUM AND PUMP WILL AUTOMATICALLY START WHEN LOW LEVEL SWITCH IS ACTIVATED DURING A CHILL CYCLE. KEEP ALL PERSONNEL AWAY FROM DRIVE GEARS AND CHAIN WHEN POWER IS ON AND TANK IS FILLING.
8. IF WATER LEVEL NEEDS ADJUSTMENT SEE INSTRUCTIONS ON THE ELECTRICAL SCHEMATICS.
9. AFTER THE CHILL TANK HAS RUN ONE CYCLE OR FULLY TESTED AND BEFORE REATTACHING THE BACK PANELS TURN POWER OFF AND CLEAN ALL IN LINE STRAINERS IN THE PLUMBING SYSTEM.
10. THERE IS ROOM FOR A 5 GALLON PAIL OF CHLORINE INSIDE THE CHILL TANK REAR HOUSING OR A CONTAINER CAN BE SET ON THE OUTSIDE BUT A HOLE MUST BE DRILLED IN THE ACCESS DOOR FOR THE SIPHON TUBE TO COME OUT.
11. THE SWITCH ON THE CHLORINE PUMP MUST BE IN THE ON POSITION IN ORDER FOR THE PUMP TO OPERATE.

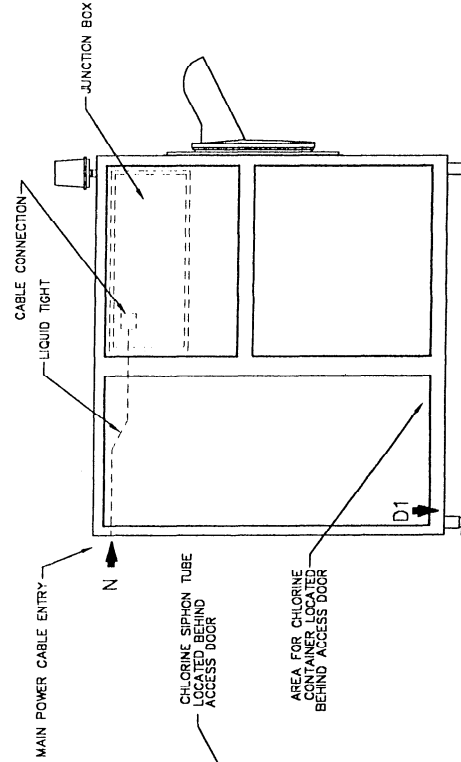
CHAIN ADJUSTMENT INSTRUCTIONS

DISCONNECT ALL POWER TO THE CHILLER BEFORE WORKING ON ANY OF THE DRIVE COMPONENTS.

TO MAKE CHAIN ADJUSTMENT LOOSEN GEARBOX MOUNTING BOLTS. BY USING THE GEARBOX JACK BOLTS PUSH UP TO LOOSEN CHAIN OR PUSH DOWN TO TIGHTEN CHAIN. AFTER THE CHAIN IS ADJUSTED PROPERLY RETIGHTEN THE GEARBOX MOUNTING BOLTS AND THE JACK BOLTS. AT THE SAME TIME MAKE SURE THAT THE CHAIN AND BOTH SPROCKETS ARE IN LINE.



BACK ELEVATION



SIDE ELEVATION

UTILITY CONNECTIONS 200-TC:

- B. 1" NPT COLD POTABLE WATER IN
- C. 1" NPT HOT POTABLE WATER IN
- D. 1 1/2" NPT COOLING WATER IN
- D1: 1 1/2" NPT TANK DRAIN TO FLOOR DRAIN
- G. 1/4" NPT AIR IN 90 PSI
- H. AIR MUST BE CLEAN AND DRY.
- N. 1 1/2" NPT COOLING WATER RETURN
- N. POWER SUPPLY.

UTILITY CONNECTIONS 300-TC:

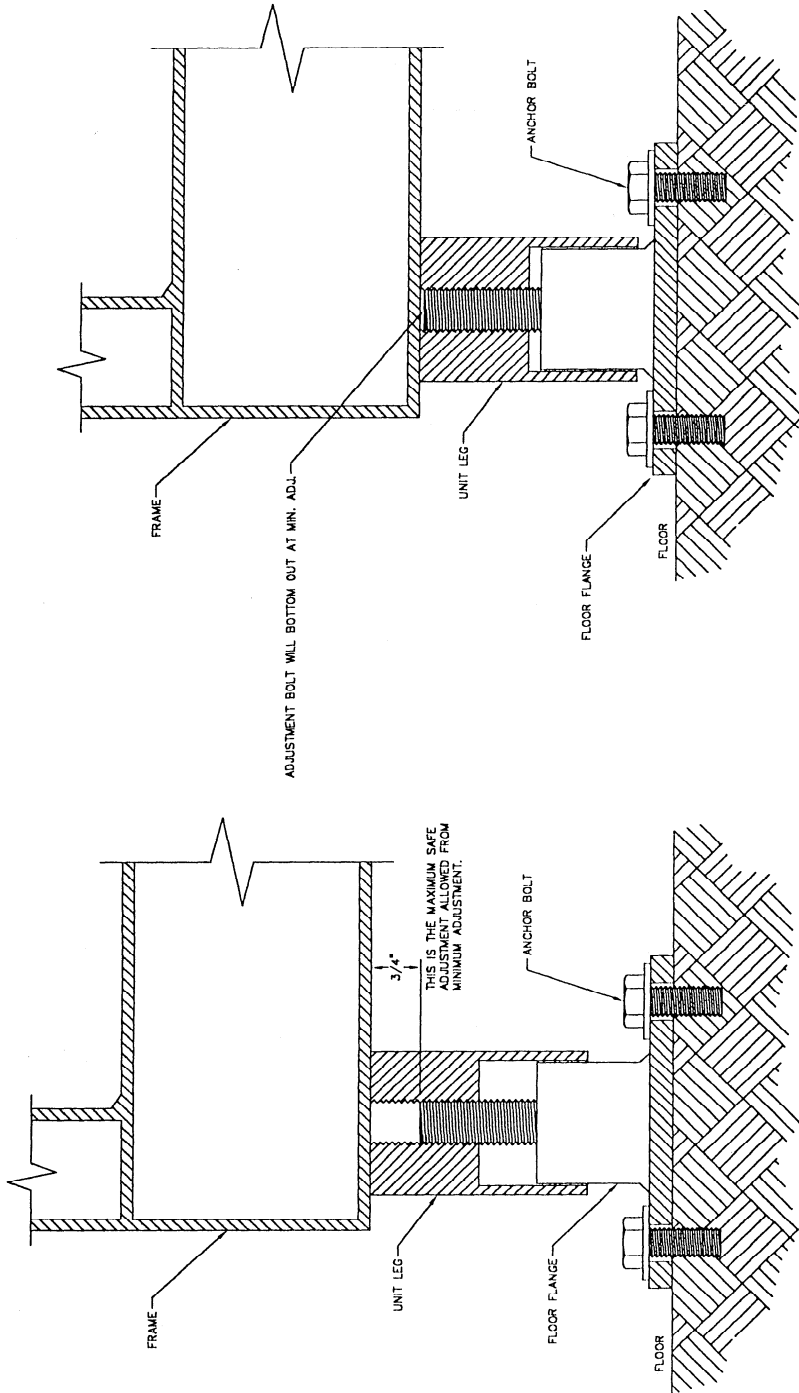
- B. 1" NPT COLD POTABLE WATER IN
- C. 1" NPT HOT POTABLE WATER IN
- D. 2" NPT COOLING WATER IN
- D1: 2" NPT TANK DRAIN TO FLOOR DRAIN
- G. 1/4" NPT AIR IN 90 PSI
- H. AIR MUST BE CLEAN AND DRY.
- N. 2" NPT COOLING WATER RETURN
- N. POWER SUPPLY.

REV.	DESCRIPTION	BY	DATE
	REVISIONS		

J.C. PARDO & SONS INC.
 1260 BEAMERS RD. BALTO MD. 21220
 PHONE (410) 381-3600 FAX (410) 381-3600

300-TC & 200-TC INSTALLATION

D 8814 1 of 1



MAXIMUM ADJUSTMENT
OF FLOOR FLANGE

NOTES:
AFTER UNIT IS LEVEL, ANCHOR ALL FLOOR FLANGES
TO THE FLOOR BY USING AN ANCHOR BOLT IN EACH
HOLE OF THE FLANGES.

MINIMUM ADJUSTMENT
OF FLOOR FLANGE

J.C.PARDO & SONS INC.
1250 REAMES RD.
BALTO MD. 21220
PHONE (410) 391-3600



CHECKED BY:

APPROVED BY:

DRAWN BY: JAY S.

DATE: 4-15-98

SCALE: NONE

300-TC & 200-TC FLOOR FLANGE
ADJUSTMENT INSTRUCTIONS

This drawing and all information contained therein is the property of J.C.Pardo & Sons Inc. Balto MD. The drawing and all information is confidential and must not be made public or copied. It is loaned subject to return upon demand and is not to be used directly or indirectly in any way detrimental to J.C.Pardo & Sons.

SIZE:

B

DRAWING NUMBER:

8815

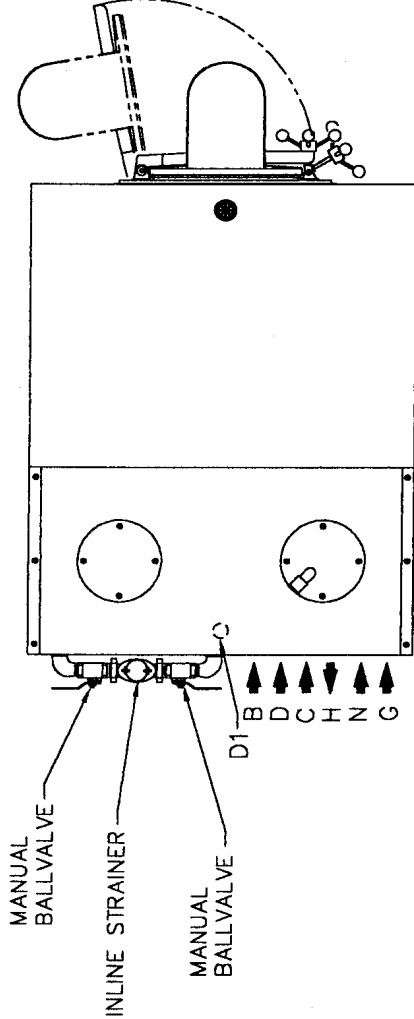
REV.

1 of 1
SHEET

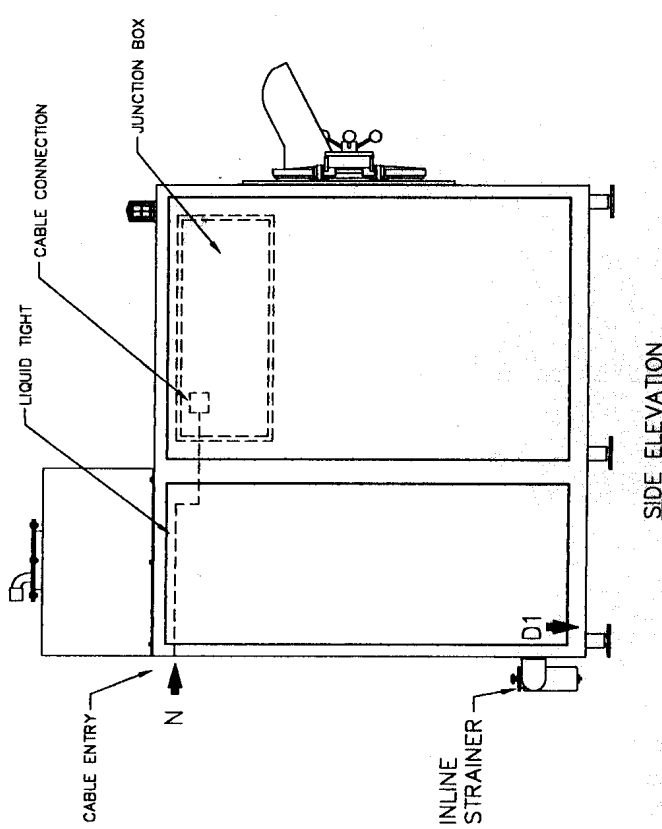
UTILITY CONNECTIONS:

- B. 1" NPT COLD POTABLE WATER IN
- C. 1" NPT HOT POTABLE WATER IN
- D. 2" NPT COOLING WATER IN
- D1. 2" NPT TANK DRAIN TO FLOOR DRAIN
- G. 1/2" NPT AIR IN
- H. 2" NPT COOLING WATER RETURN
- N. POWER SUPPLY, 208/460V-3PH-60HZ

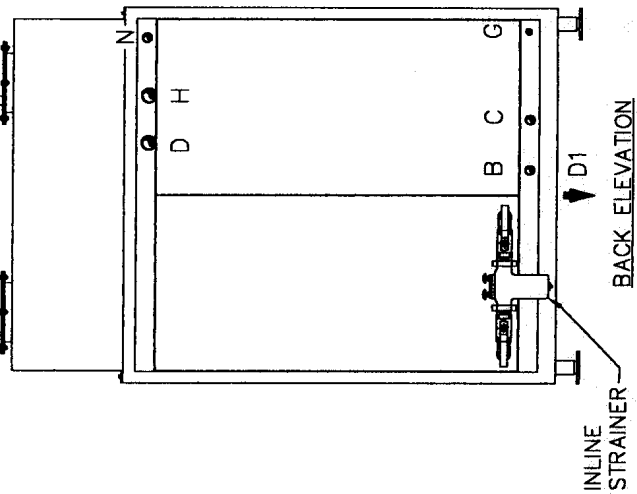
1 1/2" NPT OVERFLOW FOR REUSE TANK. RUN TO OPEN FLOOR DRAIN



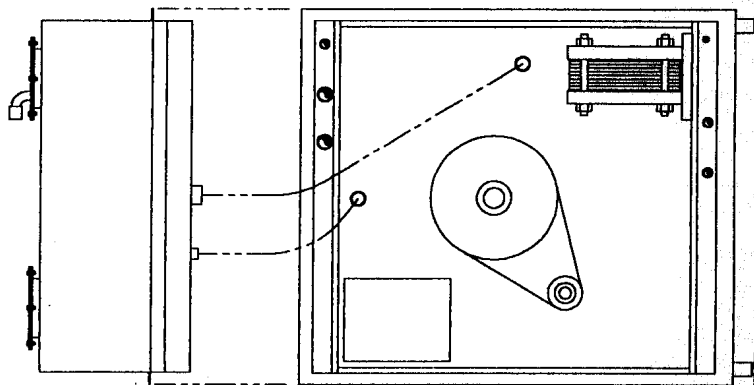
TOP VIEW



SIDE ELEVATION



BACK ELEVATION



REUSE TANK INSTALLATION BACK ELEVATION

REV.	DESCRIPTION	DATE
B	ADDED REUSE TANK OVERFLOW	1/15/08
A	ADDED INLINE STRAINER	1/15/08
REV.	DESCRIPTION	DATE

J.C. PARDO & SONS INC.
 1800 BEAVER RD. BALTO MD 21030
 PHONE (410) 881-8800 FAX (410) 881-8800

300 GALLON TUMBLE CHILLER
 UTILITY CONNECTIONS

FIRST LOAD OF THE DAY	WHEN LOAD HAS COOLED	ALL OTHER LOADS
<p>PRESS BUTTONS IN SQUENCE</p> <ol style="list-style-type: none"> CONTROL POWER CHILL SEQUENCE START/STOP <p>MACHINE WILL FILL AND START COOLING WATER</p>	<p>PRESS BUTTON IN SEQUENCE</p> <ol style="list-style-type: none"> SEQUENCE START/STOP DRAIN TO TANK 	<p>PRESS BUTTONS IN SEQUENCE</p> <ol style="list-style-type: none"> FILL FROM TANK CHILL SEQUENCE START/STOP <p>AFTER LAST LOAD DRAIN TO FLOOR AND PUSH CONTROL POWER</p>
<p><input type="text" value="1"/> CONTROL POWER</p> <p><input type="text"/> TIMER</p> <p><input type="text" value="2"/> CHILL</p> <p><input type="text"/> CLEAN</p> <p><input type="text"/> FILL FRM TANK</p> <p><input type="text" value="3"/> START/STOP</p> <p><input type="text"/> LOW WATER</p> <p><input type="text"/> DRAIN FLOOR</p> <p><input type="text"/> OSCILLANTE</p>	<p><input type="text"/> CONTROL POWER</p> <p><input type="text"/> TIMER</p> <p><input type="text" value="1"/> CHILL</p> <p><input type="text"/> CLEAN</p> <p><input type="text"/> FILL FRM TANK</p> <p><input type="text" value="2"/> START/STOP</p> <p><input type="text"/> LOW WATER</p> <p><input type="text"/> DRAIN FLOOR</p> <p><input type="text"/> OSCILLANTE</p>	<p><input type="text"/> CONTROL POWER</p> <p><input type="text"/> TIMER</p> <p><input type="text" value="2"/> CHILL</p> <p><input type="text"/> CLEAN</p> <p><input type="text"/> FILL FRM TANK</p> <p><input type="text" value="3"/> START/STOP</p> <p><input type="text"/> LOW WATER</p> <p><input type="text"/> DRAIN FLOOR</p> <p><input type="text"/> OSCILLANTE</p>

J.C. PARDO 200 & 300 GALLON CHILLERS

OPTIONAL FEATURES:

1. PARTLOW CHART RECORDER FOR ONLY RECORDING THE TEMPERATURE OF THE PRODUCT.
2. CLEANING CYCLE BY THE USE OF STEAM:

OPERATION DESCRIPTION

WHEN YOU SELECT CLEANING CYCLE THE COLD WATER VALVE WILL OPEN FILLING THE TANK TO THE PROPER LEVEL.

WATER STOPS, STEAM STARTS GOING IN.

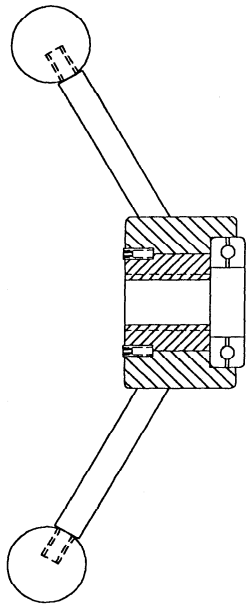
TEMPERATURE CONTROLLER IS PRESET AT REQUIRED TEMPERATURE FOR CLEANING. ONCE WATER REACHES TEMPERATURE SET POINTS THE CONTROLLER WILL CYCLE ON OFF TO MAINTAIN WATER TEMPERATURE.

THE TIME THAT THE STEAM STAYS ON IS SETABLE BY RESETTING A TIMER ON THE INSIDE OF SIDE CONTROL PANEL.

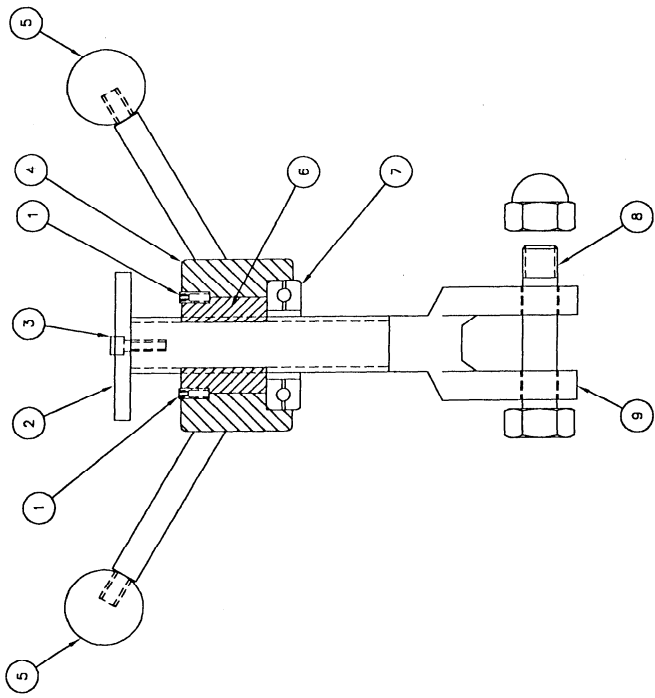
**** **NOTE:** THIS MUST BE DONE BY A QUALIFIED TECHNICIAN.

REPLACEMENT PARTS LIST

ITEM	PART NO.	DESCRIPTION
1	HWS00-2500012	SET SCREW
2	1FS02-0000015	RETAINER CAP
3	HWS00-3100004	RETAINER SCREW
4	1FS03-0000009	WING NUT BODY ONLY
5	MSF02-0000001	RED BALL
6	1FZ02-0000002	THREADED INSERT
7	EGS00-0000003	THRUST BEARING
8	1HS00-6200004	PIVOT PIN W/NUT
9	1FS01-0000005	SWING BOLT ONLY
10	1FS03-0000008	WING NUT ASSEMBLY
11	1FS01-0000004	SWING BOLT ASSEMBLY



10 WING NUT ASSEMBLY



11 SWING BOLT ASSEMBLY

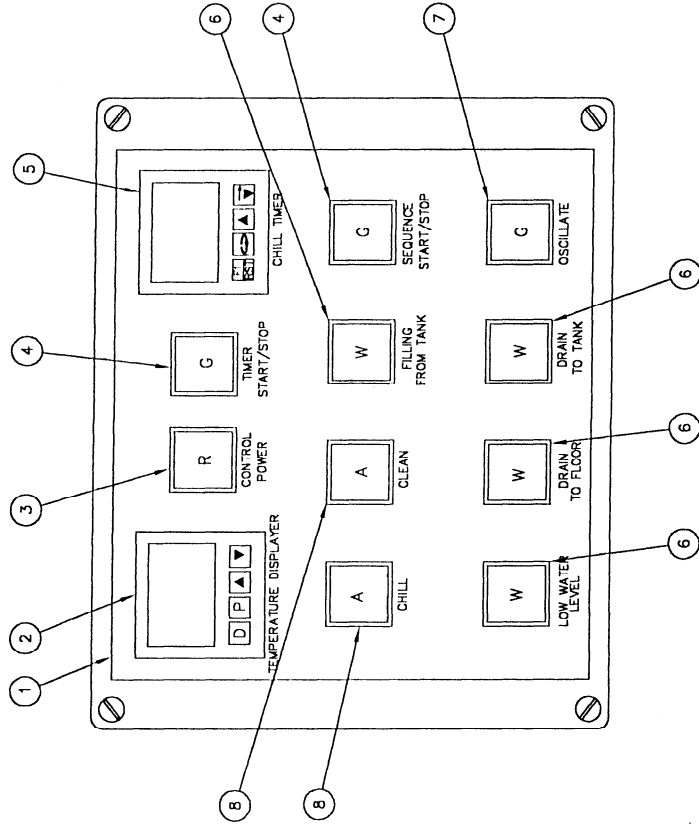
A ITEM #9 WAS 1FS01-0000005 SMT 5/4/00		DRAWN BY: JAY S.		SWING BOLT & WING NUT TC-P-200/300		DRAWING NUMBER: 11362	
REV.	DESCRIPTION	BY	DATE	DATE: 4-6-98	REVISIONS	REV.	SHEET
	REVISIONS			NONE		A	1 of 1

J.C.PARDO & SONS INC.
 1250 REAMERS RD. BALTO MD. 21220
 PHONE (410) 391-3800 FAX (410) 391-0042

The drawing and information contained herein is the property of J.C. Pardo & Sons, Inc. The drawing and information shall not be reproduced or transmitted in any form or by any means, electronic, mechanical, photocopying, recording, or by any information storage and retrieval system, without the prior written permission of J.C. Pardo & Sons, Inc.

REPLACEMENT PARTS

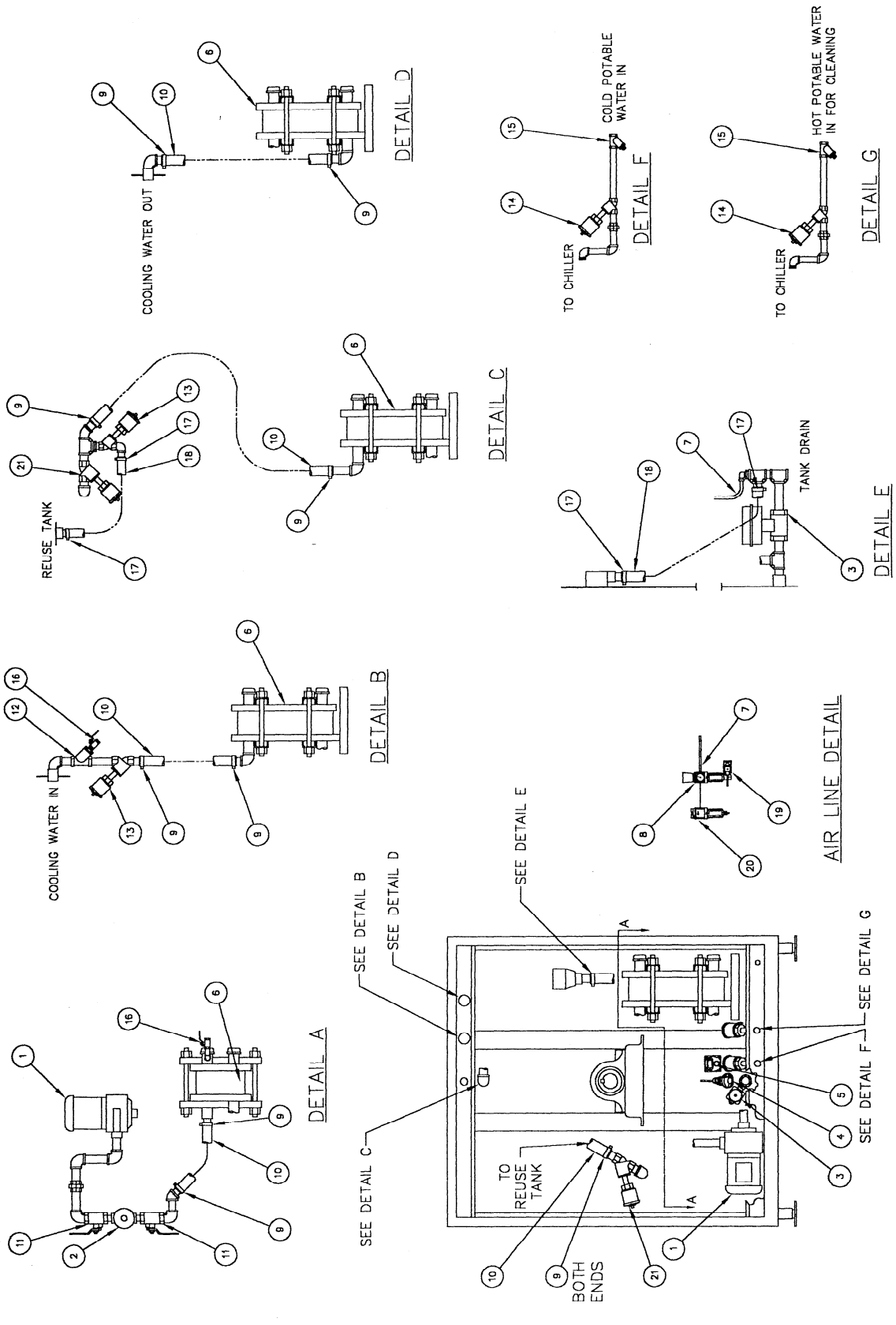
ITEM	PART NO.	DESCRIPTION
1	NPBLUE0000017	FUNCTION TAG
2	ELBC0-0000026	DISPLAYER UNIT
3	2EP00-8800032	RED LIGHTED PUSH BUTTON
4	2EP00-8800033	GREEN LIGHTED PUSH BUTTON
5	ELBC0-0000027	TIMER
6	2EP00-8800034	WHITE LIGHTED PUSH BUTTON
7	2EP00-8800035	GREEN LIGHTED PUSH BUTTON
8	2EP00-8800036	AMBER LIGHTED PUSH BUTTON
-	ELV00-2400003	REPLACEMENT BULB FOR ALL SWITCHES



A ITEM #1 WAS NPBLUE0000017 SHEET 5/4/00		DRAWN BY: TJK		TC-P-300/200 CONTROL BOX		DRAWING NUMBER: 11366	
REV.	DESCRIPTION	BY	DATE	DATE: 4/3/98	REPLACEMENT PARTS	REV.	SHEET
	REVISIONS			SCALE: NONE	This drawing is an information drawing. It is not a contract document. It is not to be used for procurement or for construction. It is not to be used for liability or warranty purposes. It is not to be used for any other purpose without the written consent of J.C. Pardo & Sons, Inc.	A	1 of 1

J.C. PARDO & SONS INC.
 1850 REAMES RD. BALTO MD. 21220
 PHONE (410) 381-3800 FAX (410) 381-8042

CREDIT BY: JES
 APPROVED BY:



REV.	DESCRIPTION	BY	DATE	REVISIONS
J.C. PARDO & SONS INC. 1250 REAMES RD. BALTO MD. 21220 PHONE (410) 981-3800 FAX (410) 981-9042				
DRAWN BY: JAY S. DATE: 01/04/01 SCALE: NONE		P-TC-220 WITH REUSE TANK PLUMBING REPLACEMENT PARTS		
CHECKED BY: APPROVED BY:		DRAWN NUMBER: C 11579	REV. 1 of 2	

The printing of this information is not intended to constitute an offer of insurance. It is provided for informational purposes only. The information is not intended to be used as a basis for any insurance policy. The information is not intended to be used as a basis for any insurance policy. The information is not intended to be used as a basis for any insurance policy.

REPLACEMENT PARTS LIST	
ITEM	DESCRIPTION
1	ELH01-5000001 CIRCULATING PUMP
-	SP999-9900050 REPAIR KIT FOR ITEM #1
-	SP999-9900051 REPLACEMENT IMPELLER FOR ITEM #1
2	MSB02-0000005 BASKET STRAINER ASSEMBLY
-	SEE DWG# 11629 FOR PARTS BREAK DOWN
3	ARS02-0000001 AIR ACTUATED BALL VALVE
-	ARBVA-0000003 REPLACEMENT ACTUATOR FOR ITEM #3
-	VAS02-0000002 REPLACEMENT BALL VALVE FOR ITEM #3
4	TSENSOR00006 TEMPERATURE SENSOR
5	ELBSW-0000004 WATER LEVEL SWITCH
6	MSC00-000011 HEAT EXCHANGER
7	ARP00-2500003 AIR TUBING
8	AR800-2500010 AIR FILTER REGULATOR
-	AR800-0000002 REPLACEMENT GAUGE FOR ITEM #8
9	HWS02-7500004 HOSE CLAMP
10	PBD02-0000001 FOOD GRADE HOSE
11	MSB02-0000004 MANUAL BALL VALVE
12	MSB01-5000001 STRAINER
-	MSB01-5000003 REPLACEMENT SCREEN FOR ITEM #12
13	ARB01-5000001 AIR SOLENOID
-	SP999-9900046 REPAIR KIT FOR ITEM #13
14	ARB01-0000001 AIR SOLENOID
-	SP999-9900047 REPAIR KIT FOR ITEM #14
15	MSB01-0000001 STRAINER
-	MSB01-0000004 REPLACEMENT SCREEN FOR ITEM #15
16	MSB00-5000004 MANUAL BALL VALVE
17	HWS02-0000005 HOSE CLAMP
18	PBD01-5000001 FOOD GRADE HOSE
19	ELB00-2500009 TIMER & DRAIN SOLENOID COMBO
20	AR800-2500009 COALESCING FILTER
-	AR800-0000001 REPLACEMENT ELEMENT FOR ITEM # 20
21	ARB02-0000001 AIR SOLENOID
-	SP999-9900052 REPAIR KIT FOR ITEM #21

**

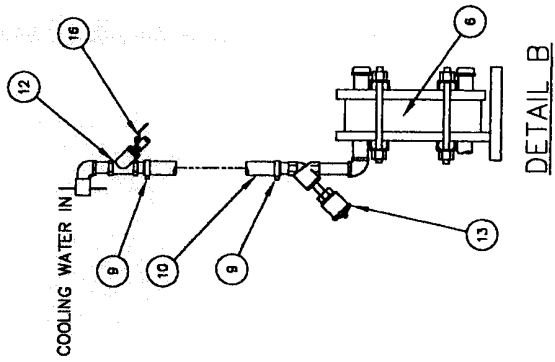
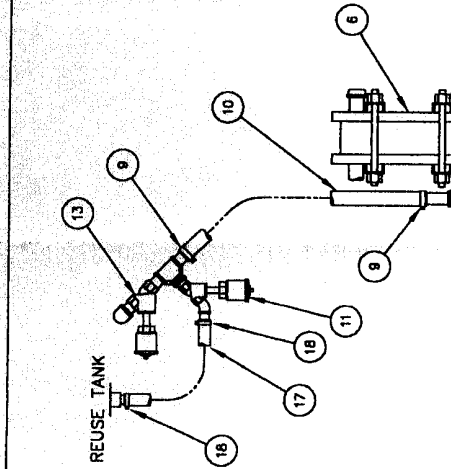
**

**

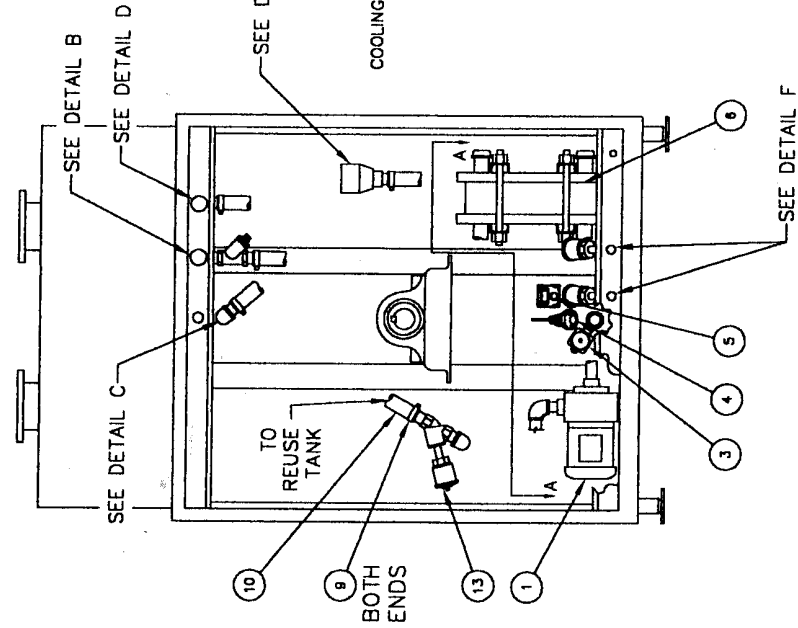
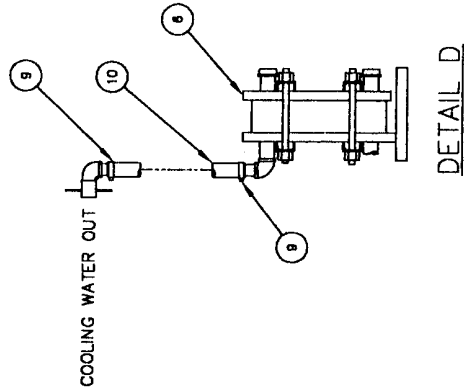
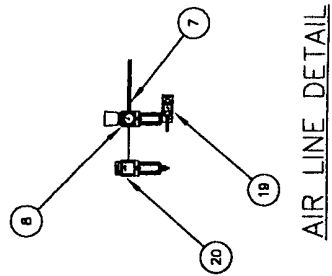
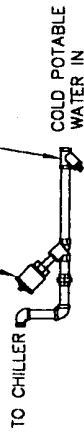
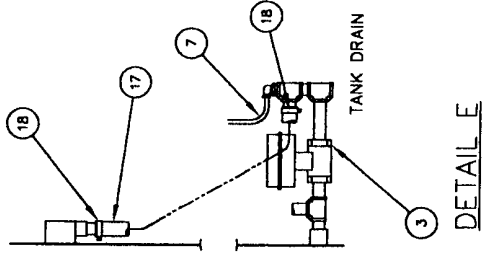
NOTES:

** CUSTOMER TO SPECIFY LENGTH

REV. A	NEW HOSE CLAMP #S	JES	1/3/02	DATE	11579	DRIVING NUMBER
	DESCRIPTION	BY			C	REV. A
	REVISIONS				A	2 of 2
J.C.PARDO & SONS INC. 1260 BEARDS RD. BALTO MD. 21220 PHONE (410) 381-5800 FAX (410) 381-6044				ORDER BY APPROVED BY	DRAWN BY DATE 01/04/01 SCALE NONE	P-TC-220 WITH REUSE TANK PLUMBING REPLACEMENT PARTS <small>THE PURCHASER OF THIS INFORMATION AGREES TO HOLD THE PROVIDER HARMLESS FROM AND AGAINST ALL LIABILITY FOR ANY AND ALL DAMAGES, INCLUDING REASONABLE ATTORNEY'S FEES, THAT MAY BE INCURRED BY THE PURCHASER AS A RESULT OF THE USE OF THIS INFORMATION.</small>



DETAIL C



REV.	DESCRIPTION	BY	DATE	DESIGNED BY	DATE	APPROVED BY	SCALE	PROJECT NO.	SHEET NO.	TOTAL SHEETS
	REVISIONS						NONE	11571	C	1 of 2
<p>J.C.PARDO & SONS INC. 1250 REAMES RD. BALTO MD. 21220 PHONE (410) 961-9600 FAX (410) 381-9042</p> <p>TC-P-300 W/REUSE TANK PLUMBING REPLACEMENT PARTS</p> <p><small>J.C. Pardo & Sons, Inc. is a registered contractor in the State of Maryland. The company and its employees are licensed and bonded. The company is not responsible for any damage or injury to property or persons caused by the use of the information contained herein. The company is not responsible for any damage or injury to property or persons caused by the use of the information contained herein.</small></p>										

REPLACEMENT PARTS LIST	
ITEM	DESCRIPTION
1	CIRCULATING PUMP
-	REPAIR KIT FOR ITEM #1
-	REPLACEMENT IMPELLER FOR ITEM #1
2	BASKET STRAINER
-	REPLACEMENT SCREEN FOR ITEM #2
3	AIR ACTUATED BALL VALVE
-	REPLACEMENT ACTUATOR FOR ITEM #3
-	REPLACEMENT BALL VALVE FOR ITEM #3
4	TEMPERATURE SENSOR
5	WATER LEVEL SWITCH
6	HEAT EXCHANGER
7	AIR TUBING
8	AIR FILTER REGULATOR
-	REPLACEMENT GAUGE FOR ITEM #8
9	HOSE CLAMP
10	FOOD GRADE HOSE
11	AIR SOLENOID
-	REPAIR KIT FOR ITEM #11
12	STRAINER
-	REPLACEMENT SCREEN FOR ITEM #12
13	AIR SOLENOID
-	REPAIR KIT FOR ITEM #13
14	AIR SOLENOID
-	REPAIR KIT FOR ITEM #14
15	STRAINER
-	REPLACEMENT SCREEN FOR ITEM #15
16	MANUAL BALL VALVE
17	FOOD GRADE HOSE
18	HOSE CLAMP
19	TIMER & DRAIN SOLENOID COMBO
20	COALESCING FILTER
-	REPLACEMENT ELEMENT FOR ITEM# 22
21	MANUAL BALL VALVE

**

**

**

NOTES:

** CUSTOMER TO SPECIFY LENGTH

NEW HOSE CLAMP #/S	JES 1/3/02	DATE	REV. A
DESCRIPTION	BY	DATE	REV. C
REVISIONS			REV. A
J.C.PARDO & SONS INC. 1250 REAMES RD. BALTO MD. 21220 PHONE (410) 381-9600 FAX (410) 381-9042		ORDER BY: JAY S. DATE: 01/03/01 QUANTITY: NONE	PROJECT NAME: TC-P-300 W/REUSE TANK SHEET: 11571 OF: 2 of 2

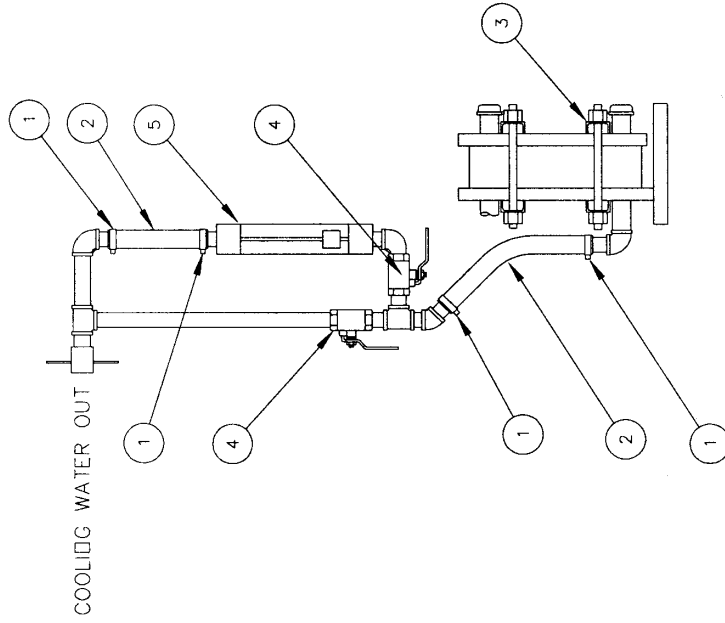
PLUMBING REPLACEMENT PARTS

This drawing is the property of J.C. Pardo & Sons, Inc. It is to be used only for the project and location specified. It is not to be used for any other project or location. It is the responsibility of the customer to verify the accuracy of the information provided on this drawing.

REPLACEMENT PARTS LIST

ITEM	PART NO.	DESCRIPTION
1	HWS02-7500004	HOSE CLAMP
2	PBD02-0000001	FOOD GRADE HOSE
3	-----	HEAT EXCHANGER OPTIONS
--	MSS00-0000008	STANDARD HEAT EXCHANGER
--	MSC00-0000033	EX-COOLING HEAT EXCHANGER
4	MSB02-0000004	MANUAL BALL VALVE
5	MSB02-0000009	FLOW METER

**

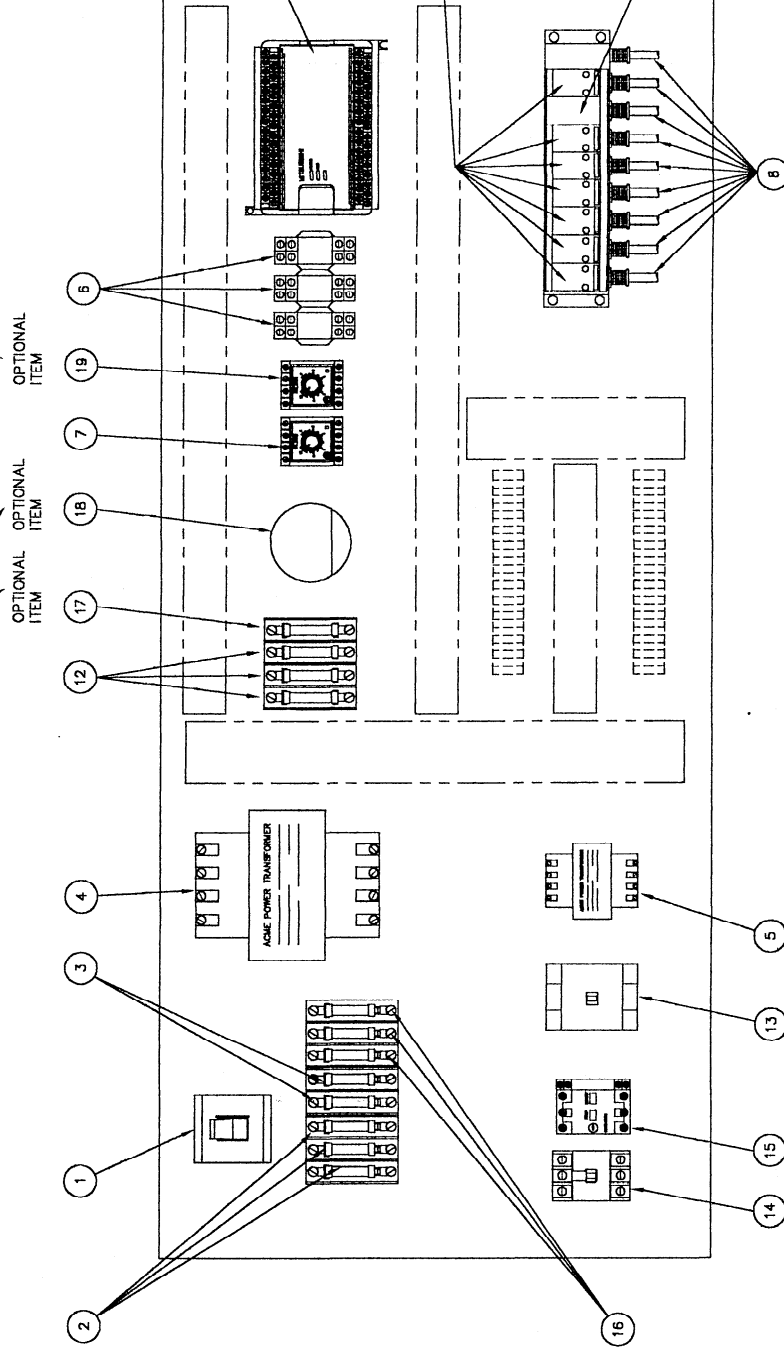


NOTES:
 ** CUSTOMER TO SPECIFY LENGTH

REV.	DESCRIPTION	BY	DATE	REVISIONS
J.C.PARDO & SONS INC. 1250 REAMES RD. BALTO MD. 21220 PHONE (410) 391-3600 FAX (410) 391-9042				CHECKED BY: DATE: 5/31/02 SCALE: NONE
DRAWS BY: JAY S. DATE: 5/31/02 SCALE: NONE				TC-P-200/300 OPTIOAL COOLING WATER OUT FLOW METER
DRAWING BY: JAY S. DATE: 5/31/02 SCALE: NONE				THIS DRAWING AND ALL INFORMATION CONTAINED HEREIN ARE THE PROPERTY OF J.C.PARDO & SONS. IT IS TO BE USED ONLY FOR THE PROJECT SPECIFIED AND MUST NOT BE MADE PUBLIC OR COPIED, REPRODUCED, DIRECTLY OR INDIRECTLY IN ANY WAY DETRIMENTAL TO J.C.PARDO & SONS.
J.C.PARDO & SONS INC. 1250 REAMES RD. BALTO MD. 21220 PHONE (410) 391-3600 FAX (410) 391-9042				DRAWN NUMBER: 11669 SHEET: 1 of 1

THESE TWO ITEMS ARE FOR THE CHART RECORDER

THIS ITEM IS FOR STEAM CLEANING



OPTIONAL ITEM

OPTIONAL ITEM

OPTIONAL ITEM

REV.	DESCRIPTION	BY	DATE	REVISED BY	DATE	APPROVED BY	DESIGNED BY	DRAWN BY	DATE	FORM	ITEM	QUANTITY	UNIT	REVISION NUMBER
								JES	4/17/01	NONE				11616
														1 of 2

J.C. PARDO & SONS INC.
 1250 BRAMES RD. BALTO. MD. 21220
 PHONE (410) 381-3600 FAX (410) 381-9048

P-TC-200/300 UPPER JUNCTION BOX
INTERNAL REPLACEMENT PARTS 208/230/450V

This drawing and all intellectual property therein is the property of J.C. Pardo & Sons Inc. and shall not be used, copied, or reproduced in any form without the written consent of J.C. Pardo & Sons Inc.

ITEM	PART NO.	DESCRIPTION
1	ELPSW-0000001	HIGH VOLTAGE DISCONNECT
2	---	FUSES BY SYSTEM VOLTAGE
-	ELV06-0000017	10 AMP FUSE
-	ELV06-0000020	6 AMP FUSE
3	ELV06-0000008	4 AMP FUSE
4	---	TRANSFORMER BY SYSTEM VOLTAGE
-	ELV05-0000003	TRANSFORMER 208V TO 115V
-	ELV05-0000005	TRANSFORMER 230/460V TO 115V
5	ELV00-5000002	TRANSFORMER 115V TO 24V
6	ELPSW-0000002	RELAY
-	ELPSW-0000003	RELAY HOLDER FOR ITEM #6
7	EL8CO-0000017	TIMER
-	ELP00-0000006	TIMER BASE FOR ITEM #7
* 8	ARP00-2500002	BLUE PLASTIC HOSE
9	ELP00-0000016	4 WAY SOLENOID
10	ELP00-0000015	3 WAY AIR SOLENOID
11	EL8CO-0000019	CONTROLLER
12	ELV02-5000001	5 AMP FUSE
13	ELPSW-0000004	MOTOR CONTACTOR ROTATE MOTOR
14	ELPSW-0000009	MOTOR CONTACTOR PUMP MOTOR
15	---	PUMP MOTOR STARTER BY VOLTAGE
-	ELPSW-0000019	PUMP MOTOR STARTER 208/230V
-	ELPSW-0000032	PUMP MOTOR STARTER 460V

200-TC REPLACEMENT PARTS		
ITEM	PART NO.	DESCRIPTION
16	---	FUSES BY SYSTEM VOLTAGE
-	ELV06-0000007	20 AMP FUSE (208/230V SYSTEM)
-	ELV06-0000010	10 AMP FUSE (460V SYSTEM)

300-TC REPLACEMENT PARTS		
ITEM	PART NO.	DESCRIPTION
16	---	FUSES BY SYSTEM VOLTAGE
-	ELV06-0000018	30 AMP FUSE (208/230V SYSTEM)
-	ELV06-0000004	15 AMP FUSE (460V SYSTEM)

STEAM & CHART RECORDER OPTION		
ITEM	PART NO.	DESCRIPTION
17	ELV02-5000023	1/2 AMP FUSE
18	ELP00-0000013	SIGNAL CONDITIONER
19	EL8CO-0000017	TIMER
-	ELP00-0000006	TIMER BASE FOR ITEM #19

* SOLD IN FOOT INCREMENTS ONLY

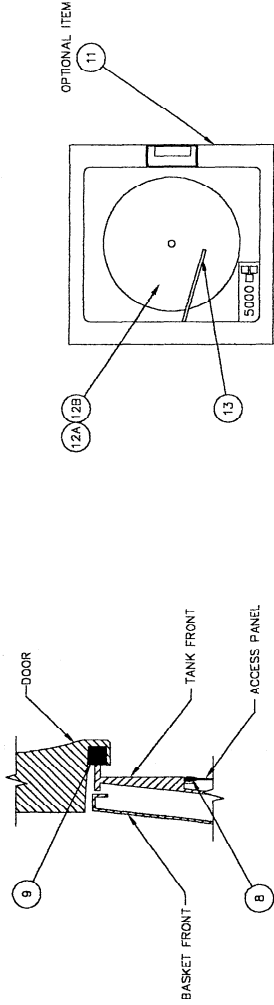
REV.	DESCRIPTION	BY	DATE	REVISIONS
J.C. PARDO & SONS INC. 1250 REAMES RD. BALTO MD. 21220 PHONE (410) 381-9800 FAX (410) 381-9843				ORDER BY APPROVED BY
DATE 4/17/01 REASON NONE				P-TC-200/300 UPPER JUNCTION BOX INTERNAL REPLACEMENT PARTS 208/230/460V C
<small>The company and its information contained herein is the property of J.C. Pardo & Sons Inc. and shall not be used, copied, or reproduced in any form without the written consent of J.C. Pardo & Sons.</small>				DRAWING NUMBER 11616 SHEET 2 of 2

REPLACEMENT PARTS LIST

ITEM	PART NO.	DESCRIPTION
1	MMOTORS00015	CHLORINATOR PUMP
2	ELV01-5000039	FLASHING WARNING LIGHT, AMBER
3	SEF00-5000001	TANK GASKET
4	BGZ00-7500003	BUSHING, DOOR HINGE
5	ARS00-0000001	PNEUMATIC SAFETY CYLINDER
6	MSP02-0000001	RED BALL
7	MSP00-2500001	CHLORINE SUCTION TUBE
8	SENGASKT00011	PANEL GASKET
9	SED01-0000001	DOOR GASKET
10	HWLOCKS-000301	LOCK AND KEY SET (OPTIONAL)
11	ELR60-0000062	PARTLOW 5000 (OPTIONAL)
12	EL977-7700023	CHART MOTOR FOR ITEM #11
12A	MSJ00-0000001	CHART PAPER F (OPTIONAL)
12B	MSJ00-0000002	CHART PAPER C (OPTIONAL)
13	MSP00-0000002	RED REPLACEMENT PEN (OPTIONAL)

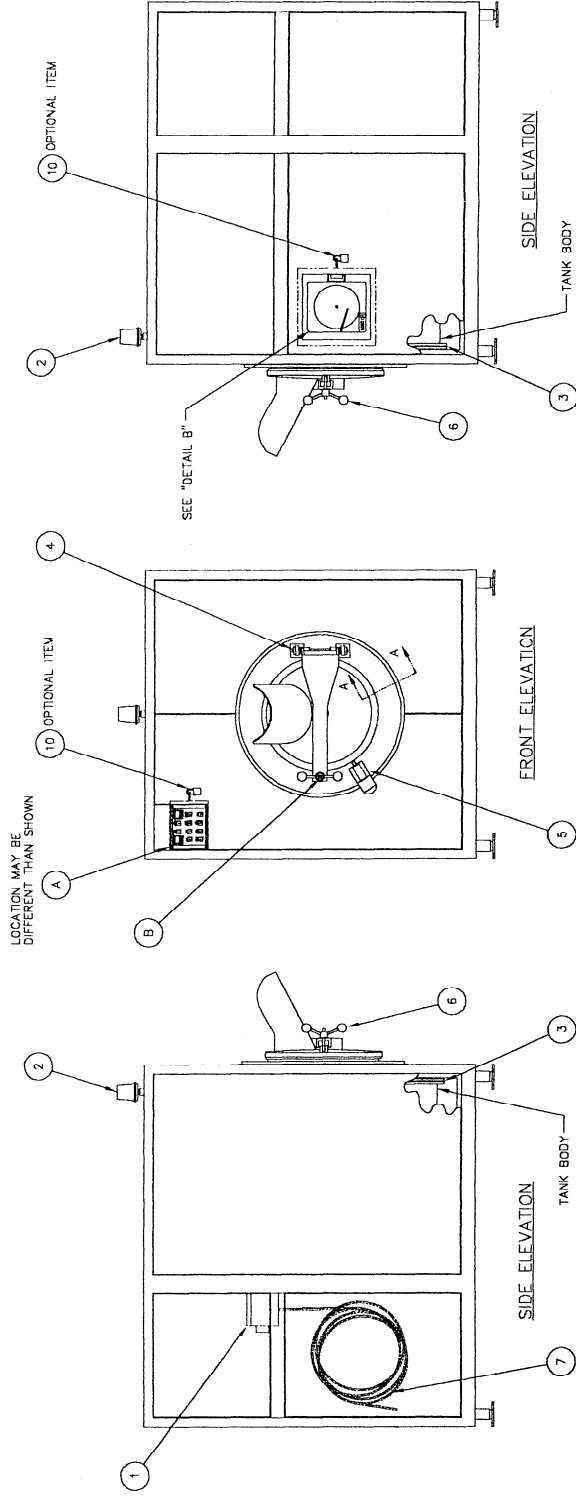
DRAWINGS FOR REPLACEMENT PARTS

ITEM	DRAWING NO.	DESCRIPTION
A	C-11.366	CONTROL PANEL FACE PARTS
B	C-11.362	WING NUT & SWING BOLT



SECTION A-A

DETAIL B
OPTIONAL ITEM



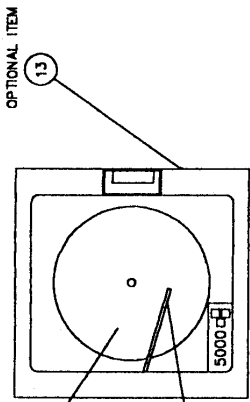
B #4 WAS	BGZ00-0000003	JES 1-3-02	J.C. PARDO & SONS INC.	DESIGNED BY	JES	DATE	5/15/01	SCALE	NONE	DATE	JAY S	DRAWING NUMBER	C 11621
A	ADDED	PARTLOW OPTION	1250 REAMES RD.	APPROVED BY								REV	B
REV.	DESCRIPTION	BY	DATE	BALTO. MD. 21220		PHONE (410) 381-3800		FAX (410) 381-9042		TC-P-200 EXTERNAL REPLACEMENT PARTS		SHEET	1 of 1
<p>The drawing and all information contained therein is the property of J.C. Pardo & Sons Inc. and shall not be made public or used in any way without the written consent of J.C. Pardo & Sons Inc.</p>													

REPLACEMENT PARTS LIST

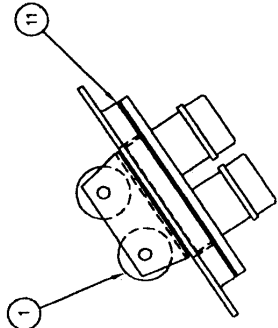
ITEM	PART NO.	DESCRIPTION
1	HWF00-000004	TANK SUPPORT WHEEL
2	MOMOTORS00015	CHLORINATOR PUMP
3	ELV01-1500015	FLASHING WARNING LIGHT
4	ELV00-0000020	REPLACEMENT LIGHT BULB FOR ITEM #3
5	SEF00-5000001	TANK GASKET
6	BGZ01-0000003	BUSHING, DOOR HINGE
7	ARS00-0000001	PNEUMATIC SAFETY CYLINDER
8	MSP02-0000001	RED BALL
9	SENGASKT00011	CHLORINE SUCTION TUBE
10	SED01-0000001	PANEL GASKET
11	SENGASKT00014	DOOR GASKET
12	HWLOCKS-00001	SUPPORT WHEEL GASKET
13	ELBCO-0000062	LOCK AND KEY SET (OPTIONAL)
14	EL977-7700023	PARTLOW 5000 (OPTIONAL)
15	EL977-7700024	CHART MOTOR FOR ITEM #13
16	ELP00-0000046	PEN MOTOR FOR ITEM #13
17	MSJ00-0000001	DOOR FOR ITEM #13
18	MSJ00-0000002	CHART PAPER 'C' (OPTIONAL)
19	MSP00-0000002	RED REPLACEMENT PEN (OPTIONAL)

DRAWINGS FOR REPLACEMENT PARTS

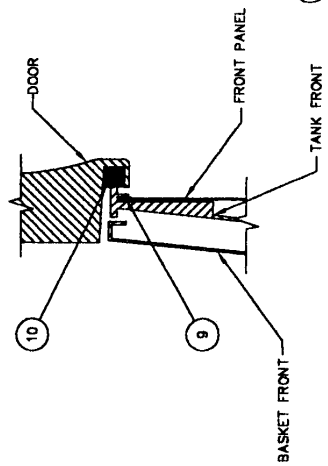
ITEM	DRAWING NO.	DESCRIPTION
A	C-11366	CONTROL PANEL FACE PARTS
B	C-11362	WING NUT & SWING BOLT



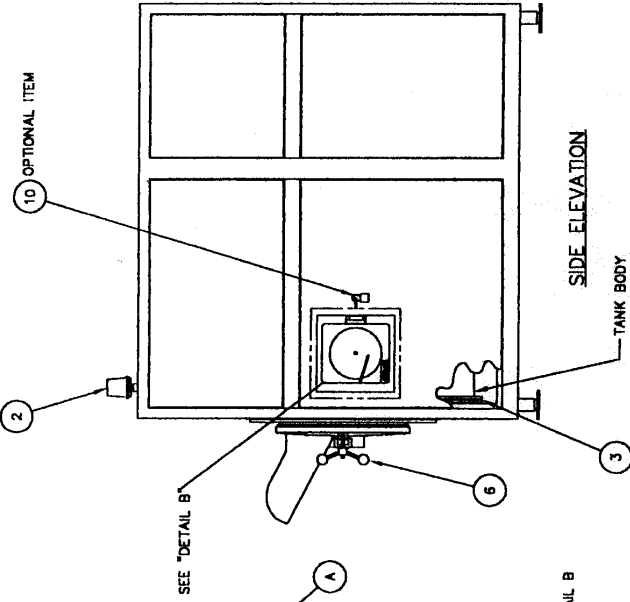
DETAIL B
OPTIONAL ITEM



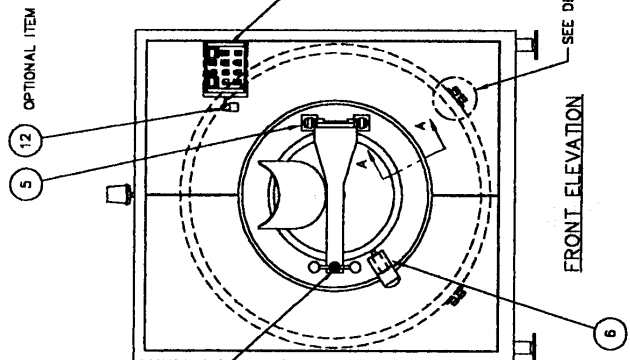
DETAIL B



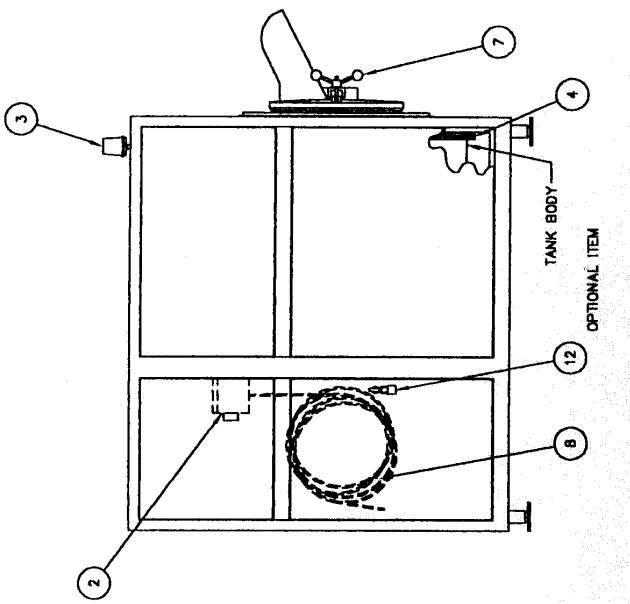
SECTION A-A



SIDE ELEVATION



FRONT ELEVATION



SIDE ELEVATION

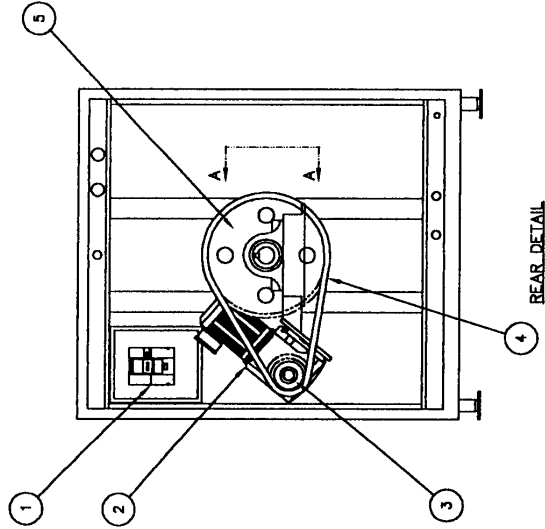
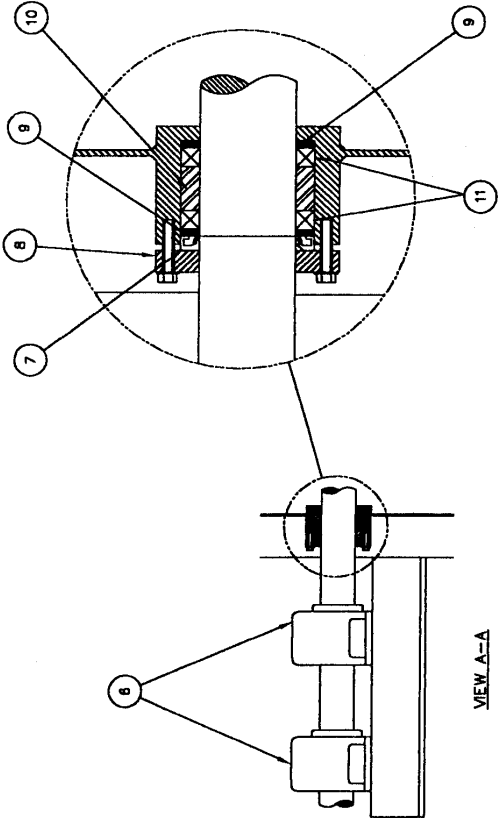
J.C. PARDO & SONS INC. 1250 REAMES RD. BALTO MD. 21220 PHONE (410) 381-5800 FAX (410) 381-9048		DRAWN BY: JAY S. DATE: 01/03/01 CHECKED BY: [blank] APPROVED BY: [blank]	ORDER NUMBER: C DRAWING NUMBER: 11573 SHEET: B OF: 1 of 1
TC-P-300 EXTERNAL REPLACEMENT PARTS			
THIS DRAWING IS THE PROPERTY OF J.C. PARDO & SONS INC. IT IS TO BE USED ONLY FOR THE PROJECT AND SITE SPECIFICALLY IDENTIFIED HEREON. IT IS NOT TO BE REPRODUCED, COPIED, OR TRANSMITTED IN ANY FORM OR BY ANY MEANS, ELECTRONIC OR MECHANICAL, INCLUDING PHOTOCOPYING, RECORDING, OR BY ANY INFORMATION STORAGE AND RETRIEVAL SYSTEM, WITHOUT THE WRITTEN PERMISSION OF J.C. PARDO & SONS.			
REVISIONS		REV. 1 of 1	

REPLACEMENT PARTS LIST

ITEM	PART NO.	DESCRIPTION
1A	ELH05-0000009	5 HP INVERTER 208/230V
1B	ELH05-0000014	5 HP INVERTER 460V
2A	DUH05-0000013	5 HP DRIVE UNIT, 208V
-	DU902-3800008	REPLACEMENT GEARBOX FOR ITEM #2A
-	DU905-0000005	REPLACEMENT 5 HP MOTOR FOR ITEM #2A
2B	DUH05-0000017	5 HP DRIVE UNIT, 230/460V
-	DU902-3800008	REPLACEMENT GEARBOX FOR ITEM #2B
-	DU905-0000005	REPLACEMENT 5 HP MOTOR FOR ITEM #2B
3	MSC00-0000010	MOTOR SPROCKET
-	MSC00-0000011	REPLACEMENT INSERT FOR ITEM #3
4	MSC00-0000012	DRIVE CHAIN, DUAL WIDTH
-	MSC00-0000013	REPLACEMENT MASTER LINK FOR ITEM #4
5	MSC00-0000014	TANK ROTATE SPROCKET
-	MSC00-0000015	REPLACEMENT HUB FOR ITEM #5
6	BGG03-0000002	PILLOW BLOCK BEARING
7	SEDS00-0000001	OIL SEAL
8	TFW05-0000002	COVER PLATE
9	TFW05-0000001	SEAL RETAINING RING
10	MSFLUIDS00002	SEALING MATERIAL - SEE NOTE 1-
11	SEF00-5000001	BRAIDED PACKING

NOTE 1:

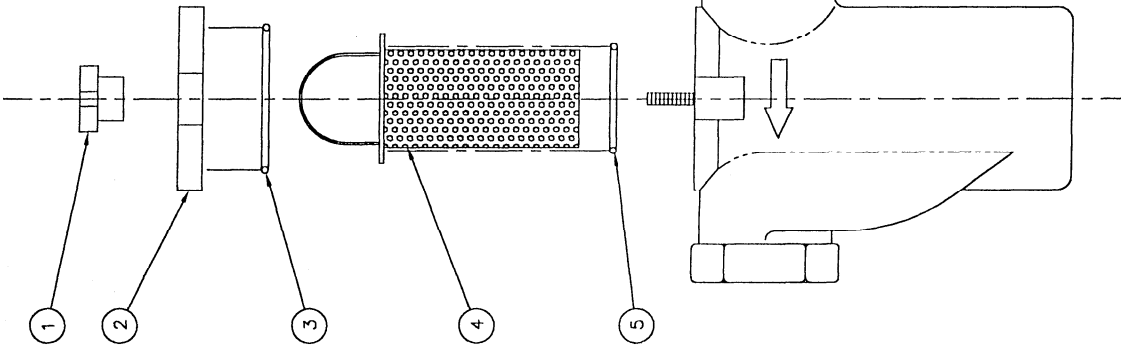
HAND PUMP REQUIRED TO REFILL/ADD SEALING MATERIAL IN PACKING GLAND WILL BE LOANED OUT WHEN SEALING MATERIAL IS PURCHASED.
 THE HAND PUMP MUST BE RETURNED IN WORKING CONDITION IMMEDIATELY AFTER APPLICATION IS COMPLETED OR THE FULL PRICE OF THE PUMP WILL BE CHARGED TO THE CUSTOMER.



REV.	DESCRIPTION	BY	DATE	REV.	QUANTITY
B	#6 WAS BGG04-0000001	JES	4/01	C	11572
A	ADDED 208/230V INFO	JES	4/01	B	1 of 1
REVISIONS					
J.C.PARDO & SONS INC. 1250 REAMES RD. BALTO MD. 21220 PHONE (410) 381-3600 FAX (410) 381-9042				TC-P-300 MECHANICAL REPLACEMENT PARTS 208/230/460V	
ORDER BY: JAY S. DATE: 11-11-98 QUOTE NONE				THIS DRAWING IS THE PROPERTY OF J.C.PARDO & SONS INC. IT IS TO BE USED ONLY FOR THE PROJECT SPECIFIED. IT IS NOT TO BE REPRODUCED OR USED IN ANY MANNER WITHOUT THE WRITTEN PERMISSION OF J.C.PARDO & SONS.	

REPLACEMENT PARTS LIST

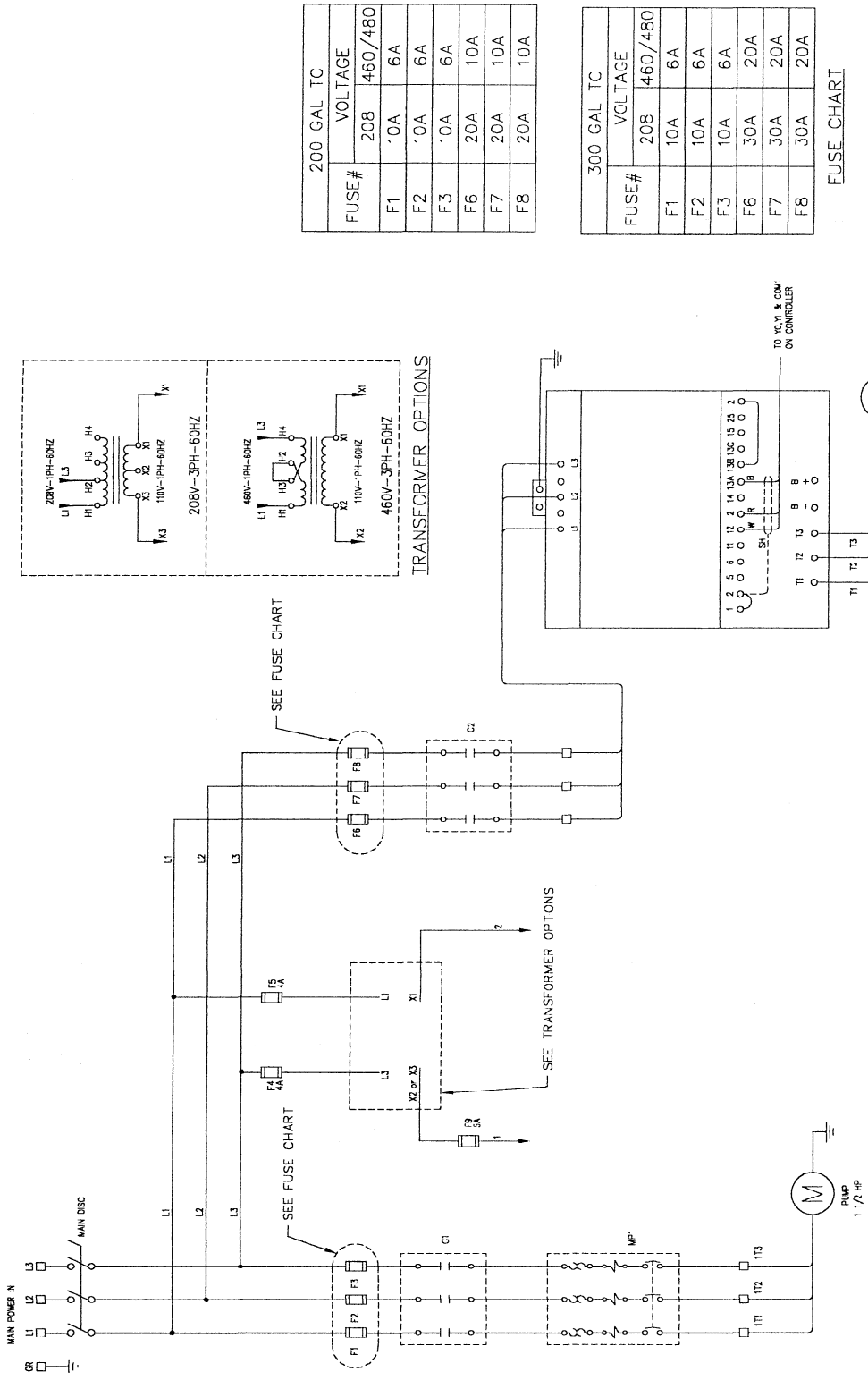
ITEM	PART NO.	DESCRIPTION
1	HWC00-5000001	KNOB
2	MSB02-0000008	COVER
3	SE3ORING00041	LID O-RING
4	MSB02-0000006	BASKET
5	SE3ORING00011	BASKET O-RING
6	MSB02-0000005	COMPLETE BASKET ASSEMBLY



⑥ COMPLETE ASSEMBLY

REV.	DESCRIPTION	BY	DATE
	REVISIONS		
J.C. PARDO & SONS INC. 1250 REAMES RD. BALTO MD. 21220 PHONE (410) 381-3600 FAX (410) 381-8042		ORDER BY DATE ORDER NO.	ORDER BY DATE ORDER NO.
2" INLINE STRAINER REPLACEMENT PARTS		DATE: 10-4-01 NAME: NONE	SIZE: C DRAWING NUMBER: 11629 SHEET: 1 of 1

This drawing and all information contained therein is the property of J.C. Pardo & Sons Inc. It is to be used only for the purpose intended and is not to be retransmitted, copied, or otherwise used without the written consent of J.C. Pardo & Sons Inc.



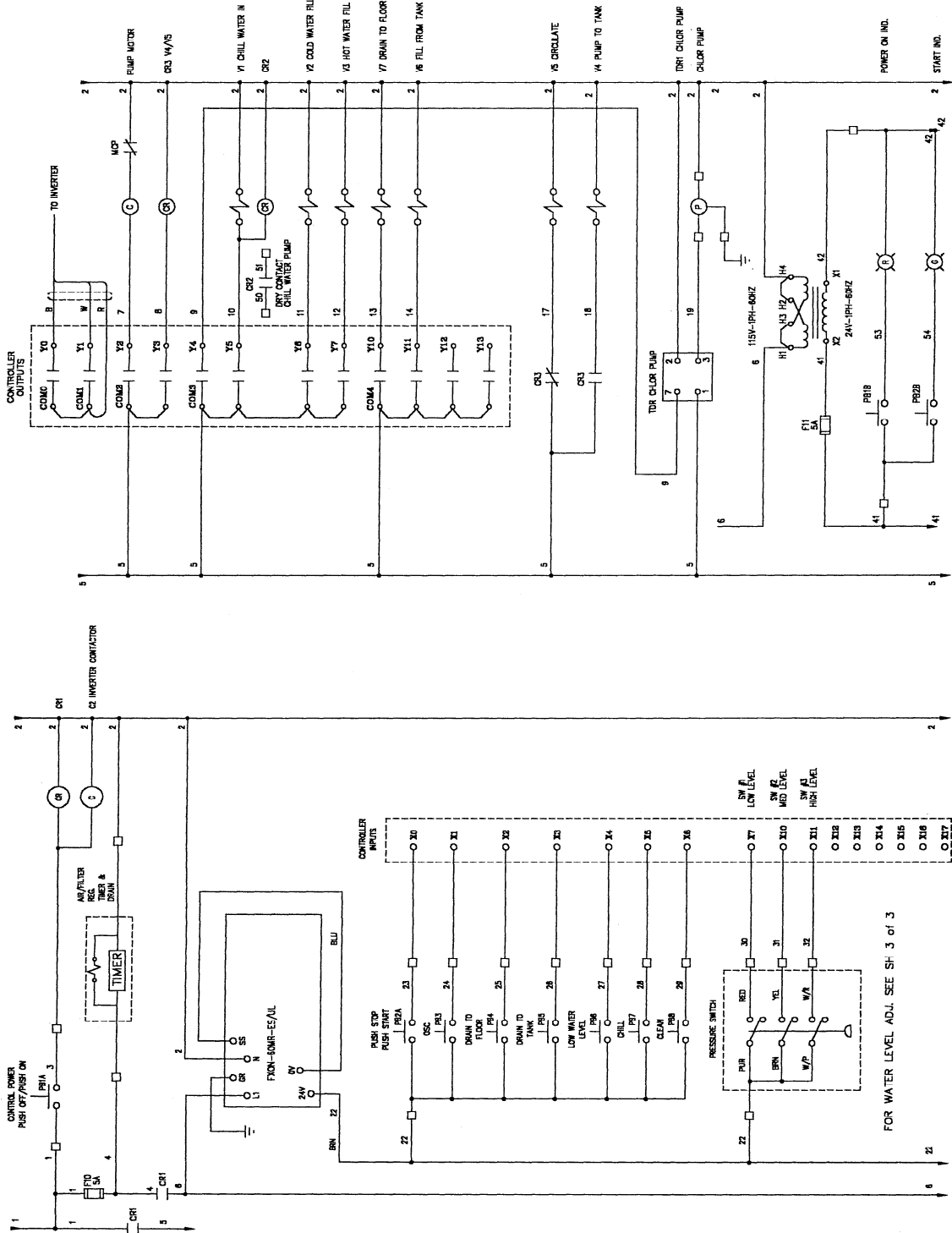
FUSE NOTES:
 FUSES F1-F5 FNQ-R RATED 600 VOLTS
 FUSES F6-F8 KTK-R RATED 600 VOLTS
 FUSES F9-F11 FNM RATED 250 VOLTS

200 GAL TC	
FUSE#	VOLTAGE
F1	208 460/480
F2	10A 6A
F3	10A 6A
F6	20A 10A
F7	20A 10A
F8	20A 10A

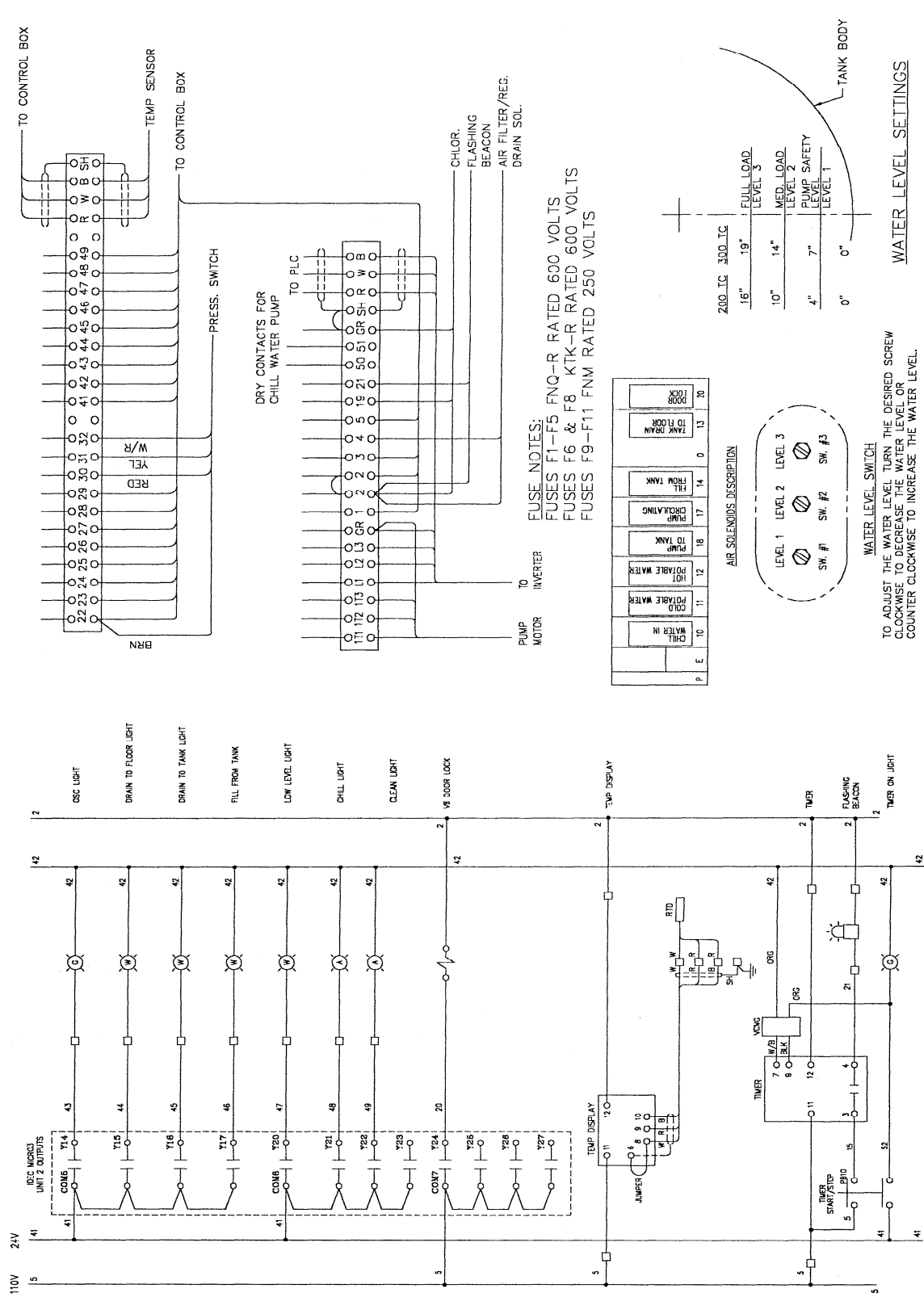
300 GAL TC	
FUSE#	VOLTAGE
F1	208 460/480
F2	10A 6A
F3	10A 6A
F6	30A 20A
F7	30A 20A
F8	30A 20A

FUSE CHART

J.C. PARDO & SONS INC. 1250 REAMES RD. BALTO MD. 21220 PHONE (410) 391-8800 FAX (410) 391-9042		DRAWN BY: JAY S. DATE: 3/2/01 SCALE: NONE	ELECTRICAL SCHEMATIC, 208/4600V 200-300 CHILL TANK WITH REUSE TANK	DRAWING NUMBER ES-0220
A REV. 1 DESCRIPTION REVISIONS	WAS 15 AMP JES 6/01 BY DATE	APPROVED BY	THE DRAWING OR INFORMATION CONTAINED HEREIN IS THE PROPERTY OF J.C. PARDO & SONS INC. IT IS TO BE USED ONLY FOR THE PROJECT AND SITE SPECIFICALLY IDENTIFIED HEREON. IT IS TO BE KEPT IN CONFIDENTIALITY AND NOT TO BE REPRODUCED OR TRANSMITTED IN ANY MANNER WITHOUT THE WRITTEN PERMISSION OF J.C. PARDO & SONS INC.	SIZE C NEW A 1 of 3

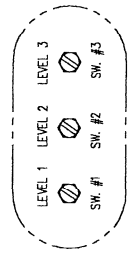


REV.	DESCRIPTION	BY	DATE
	REVISIONS		
J.C.PARDO & SONS INC. 1260 REAMERS RD. BALTO MD. 21220 PHONE (410) 981-9600 FAX (410) 981-9042			
ORDER BY DATE 3-2-01 QUANTITY NONE		ORDER NO. JAY S. DATE 3-2-01 QUANTITY NONE	
ELECTRICAL SCHEMATIC, 208/460V 200-300 CHILL TANK WITH REUSE TANK			
REV.	DESCRIPTION	BY	DATE
C	ES-0220		
<small>THIS DRAWING IS THE PROPERTY OF J.C.PARDO & SONS INC. IT IS TO BE USED ONLY FOR THE PROJECT AND SITE SPECIFICALLY IDENTIFIED HEREON. IT IS NOT TO BE REPRODUCED, COPIED, OR TRANSMITTED IN ANY FORM OR BY ANY MEANS, ELECTRONIC OR MECHANICAL, INCLUDING PHOTOCOPYING, RECORDING, OR BY ANY INFORMATION STORAGE AND RETRIEVAL SYSTEM.</small>			
DRAWN BY DATE 3-2-01 QUANTITY NONE		ORDER NO. JAY S. DATE 3-2-01 QUANTITY NONE	
ELECTRICAL SCHEMATIC, 208/460V 200-300 CHILL TANK WITH REUSE TANK			
REV.	DESCRIPTION	BY	DATE
2 of 3			



FUSE NOTES:
 FUSES F1-F5 FNO-R RATED 600 VOLTS
 FUSES F6 & F8 KTK-R RATED 600 VOLTS
 FUSES F9-F11 FNM RATED 250 VOLTS

AIR SOLENOIDS DESCRIPTION	
10	CHILL WATER IN
11	CHILL WATER
12	POTABLE WATER
13	POTABLE WATER
14	PUMP TO TANK
15	TANK DRAIN
16	TANK DRAIN
17	CHILLING
18	CHILLING
19	TO FLOOR
20	TO FLOOR



WATER LEVEL SWITCH
 TO ADJUST THE WATER LEVEL TURN THE DESIRED SCREW
 CLOCKWISE TO DECREASE THE WATER LEVEL OR
 COUNTER CLOCKWISE TO INCREASE THE WATER LEVEL.

WATER LEVEL SETTINGS

REV	DESCRIPTION	DATE	BY	DATE	SIZE	DRAWING NUMBER
A	ADDED JUMPER T.DISP	12/10	JES		C	ES-C220
REV	DESCRIPTION	DATE	BY	DATE	REV	SHEET
					A	3 of 3

J.C.PARDO & SONS INC.
 1250 REAMES RD.
 BALTO MD. 21220
 PHONE (410) 581-3600
 FAX (410) 381-9042

ELECTRICAL SCHEMATICS, 208/460V
200-300 CHILL TANK WITH REUSE TANK
 This drawing is the property of J.C.Pardo & Sons, Inc. and is not to be reproduced, stored in a retrieval system, or transmitted in any form or by any means, electronic, mechanical, photocopying, recording, or by any information storage and retrieval system, without the prior written permission of J.C.Pardo & Sons, Inc.