

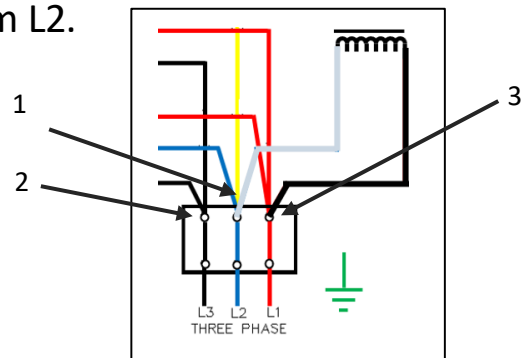
IMPORTANT INSTALLATION INSTRUCTIONS FOR TEXAS ROADHOUSE SINGLE PHASE INSTRUCTIONS FOR MODEL SET10

Note: Model SET10 comes factory wired for three phase operation.

Please follow these instructions below to convert to Single Phase.

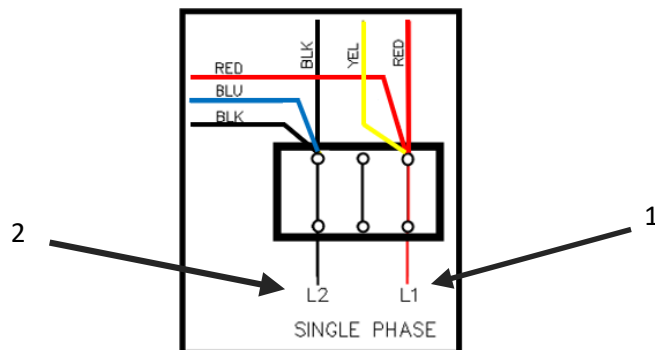
To convert unit to Single Phase, see color coded schematic on page 2

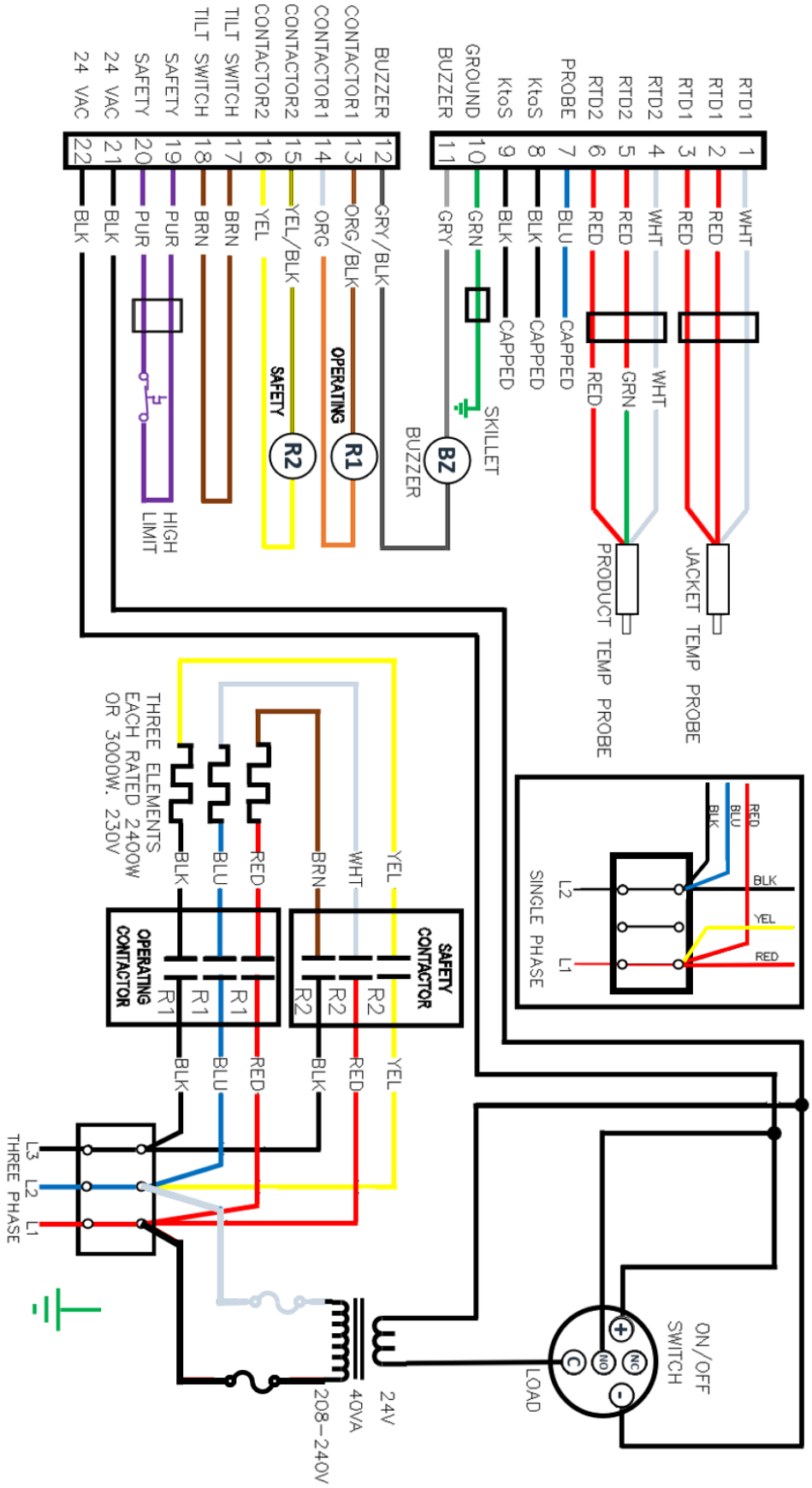
1. Remove blue and yellow wires from L2.
2. Connect blue wire to L3.
3. Connect yellow wire to L1.



Installing Single Phase Cord (3 wire cord).

1. Connect one wire to L1.
2. Connect one wire to L2.
3. Connect green ground wire to ground connection terminal.





ELECTRIC ⚡

| 208 VOLTS | | 240 VOLTS | | 220 /380 VOLTS | | | | |
|-----------|--------|-----------|------|----------------|------|------|------|-----|
| AMPS | | AMPS | | AMPS | | | | |
| KW | 1 PH | 3 PH | KW | 1 PH | 3 PH | | | |
| 10 | 40 | 7.4 | 20.5 | 7.8 | 18.9 | | | |
| GALS. | LITERS | KW | 1 PH | 3 PH | KW | 1 PH | 3 PH | |
| 10 | 40 | 7.4 | 20.5 | 7.8 | 18.9 | 6.5 | N/A | 9.9 |