



AIR POWERED CLIPPER & LABEL PRINTER

ITEM NUMBER _____

JOB NAME / NUMBER _____

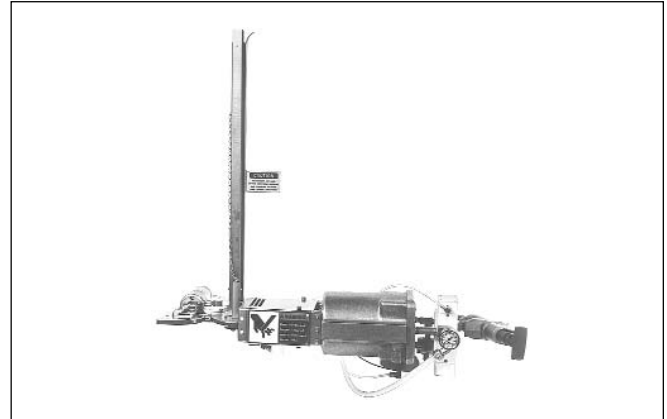


AIR POWERED CLIPPER

Cleveland Standard Features

- Horizontal Clipper with automatic Clip feeding mechanism
- Seals Casings and trims ends in one quick Operation
- Provides an Air and Water tight Seal
- Unique closing devise assists in gathering Casing Neck
- Capable of clipping up to 40 Casings per Minute
- Adjustable Clip Crimping Control
- Safety shut-off Valve
- Air pressure Gauge

MODEL: Z-4100HL



Short Form Specifications

Shall be Cleveland Model Z-4100HL, Air powered Casing Clipper with Automatic Clip feeding mechanism; adjustable Clip crimping Control; Air pressure Gauge and Safety shut-off Valve.

LABEL PRINTER

Cleveland Standard Features

- Manual Type Label Maker for use with Tyvek Label Tape
- Re-inkable, quick change Ink Cartridge
- Baselock Marking Wheel with knurled Steel Drive Tracks
- For maximum Print Height of 2"
- Basic Letter Set and waterproof Ink
- Re-inking Kit

MODEL: T-105

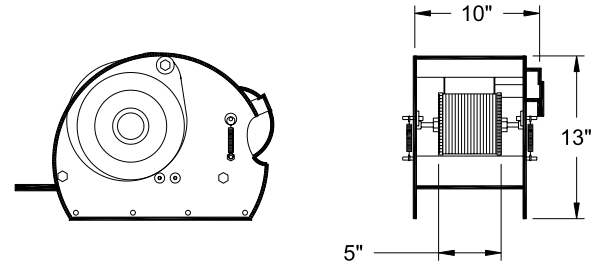
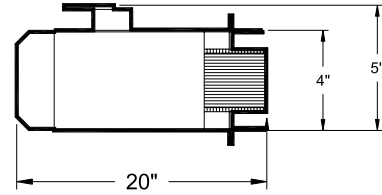
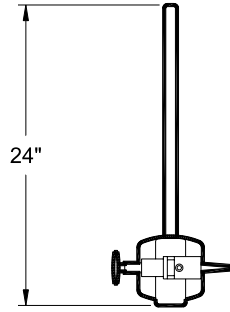
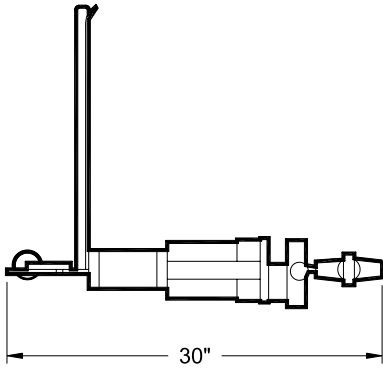
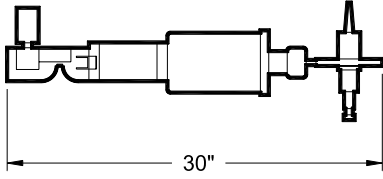


Short Form Specifications

Shall be Cleveland Model T-105, manual Tape, Label Maker, Baselock Marking Wheel, Ink Cartridge, Re-inking Kit and Basic Letter Set.

Options & Accessories

- Tyvek Label Tape (2 1/2" wide)
- Different types of Lettering
- Mounting Bracket for Food Pump



Z-4100HL
CASING CLIPPER

T-105
LABEL PRINTER

CASING CLIPPER

MODEL	AIR	ELECTRICAL
Z-4100HL	10 CFM, 90 to 110 PSI	NONE

LABEL PRINTER

MODEL	DESCRIPTION	UTILITIES
T-105	LABEL PRINTER	NONE

CODERS CORPORATION

TAPE PRINTER

MODELS T104

AND T105

CODERS CORPORATIONTAPE PRINTER MODEL T104, T105INSTRUCTIONS

MOUNTING: All tape printers come equipped with mounting brackets for attaching the printer to the tape dispenser. These mounting brackets vary according to the type of tape dispenser being used.

TAPE THREADING: Refer to Figure 1 for the proper method of threading the tape thru the tape printer.

INSERTING TYPE: The marking wheel can be easily removed from the tape printer by first lifting up the marking wheel arm (Item 7) shown on Figure 2, and then pulling the marking wheel away from the tape printer.

After the marking wheel is removed, the desired type can be inserted onto the marking wheel. The wheel can then be reinstalled into the printer.

To remount the marking wheel into the printer, place wheel under the marking wheel arm (Item 7) and push the wheel in until it snaps into place.

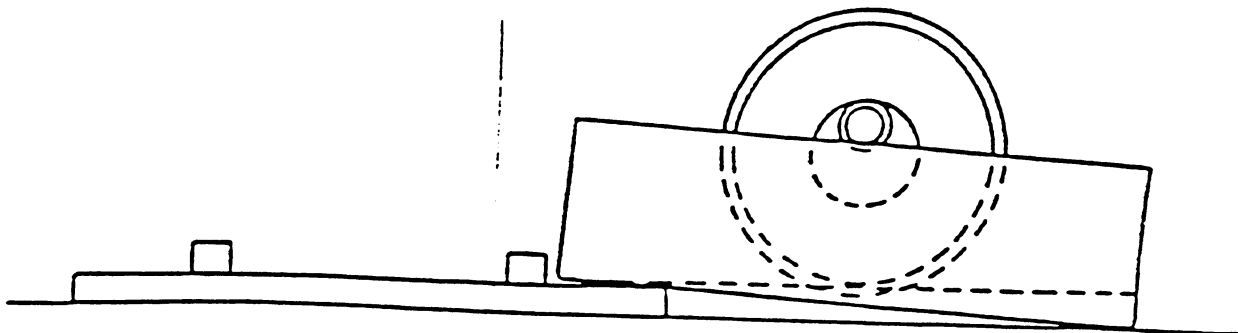
INK CARTRIDGE ADJUST:

A - The lever on the bottom of the ink cartridge is used for cartridge adjustment. Move lever until kiss contact between the cartridge and type is obtained. Excessive pressure will:

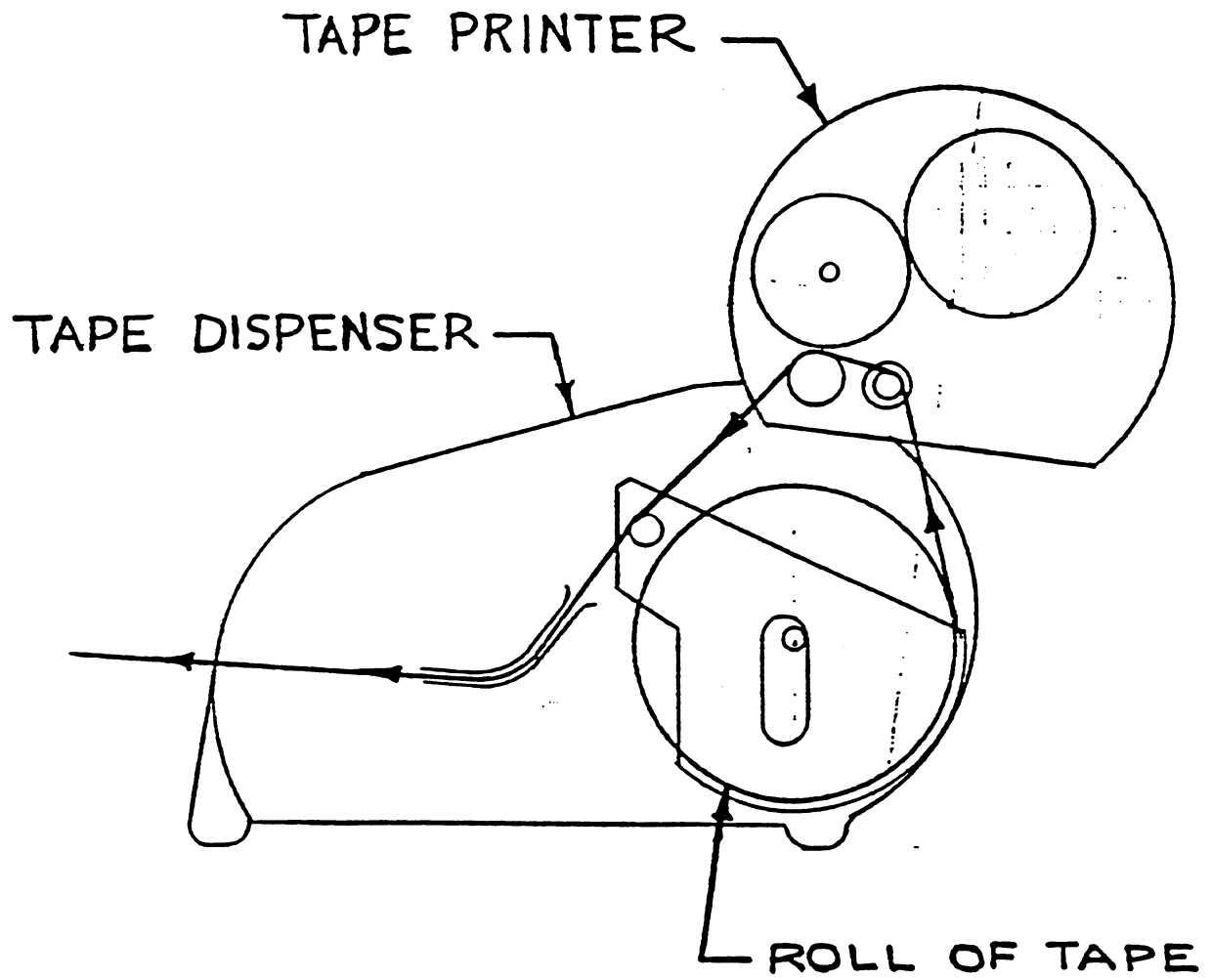
1. Restrict marking wheel rotation;
2. Cause premature cartridge wear;
3. Reduce ink mileage.

B - When replacing ink cartridge, move lever so cartridge is fully backed away from marking wheel.

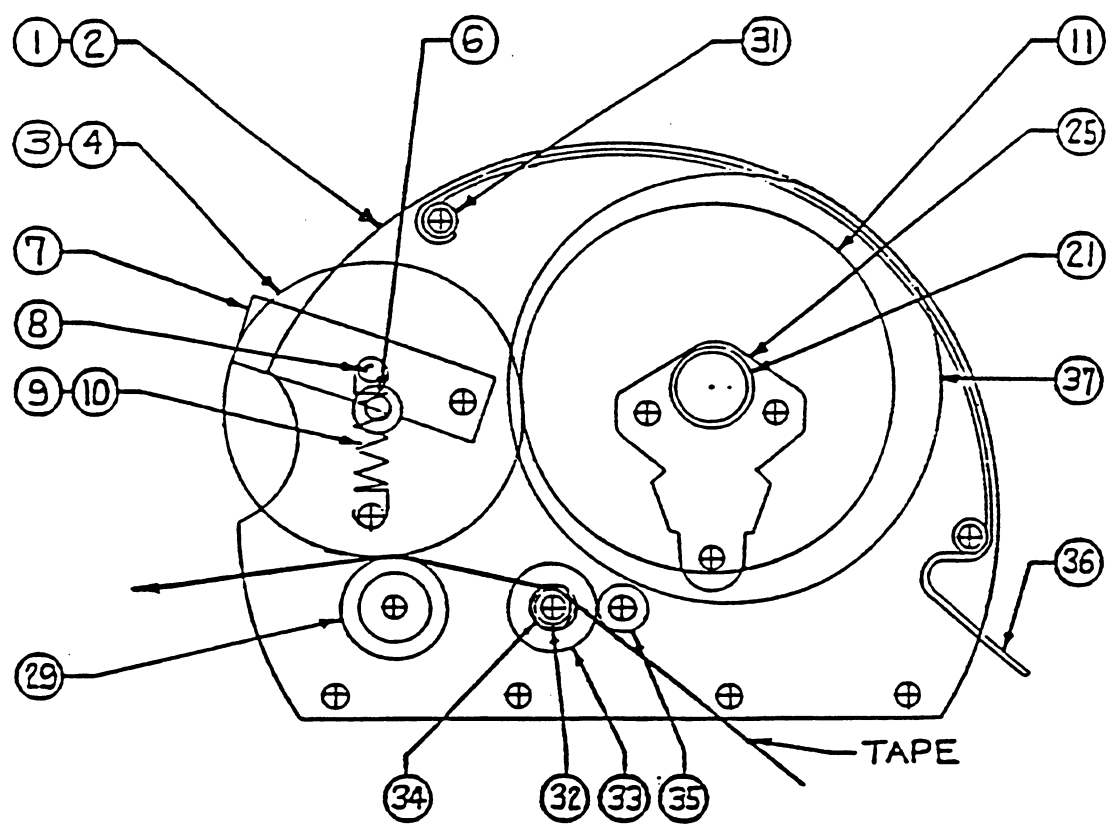
REINKER INSTRUCTIONS



1. INITIAL FILLING: A 4 oz. bottle of Kiwi Ink Should fill the chamber to the correct fill line. Replenish as required to bring the level back to the fill line.
2. REINKING: First, remove cover and place beneath one end as shown. THEN, Place K7 inker over axle shaft and begin rotating and reinking from the shallow end.
3. DRAINING EXCESS: If you ever over-ink and desire to drain the K7 inker, trap the axle at the shallow end with either paper clips or masking tape.
4. CAUTION: Each part is fully compatible with all Kiwi Ink. For proper performance of the reinker and your marking equipment, always use KIWI INKS.
5. ALWAYS SNAP COVER IN PLACE AROUND ENTIRE EDGE it will save ink evaporation and avoid spillage if someone picks up the reinker by its cover.

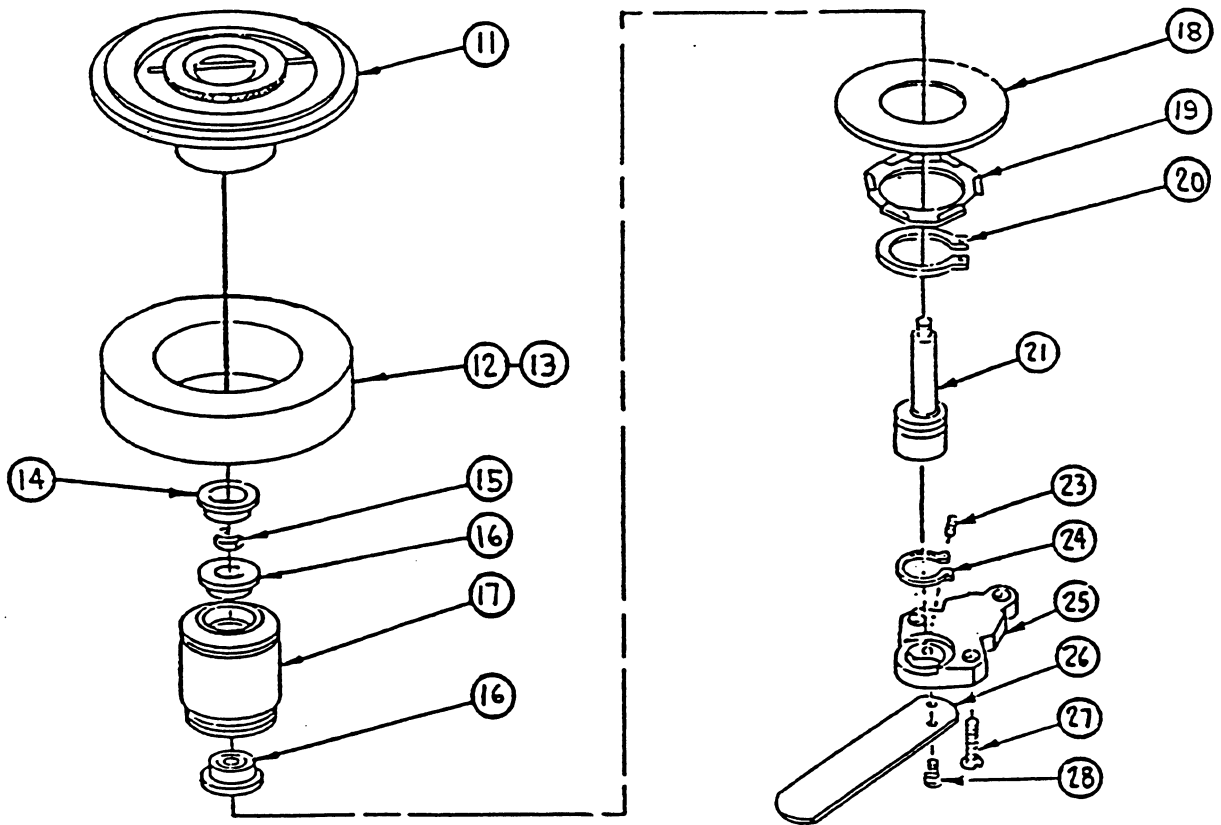


TAPE THREADING DIAGRAM FIGURE 1



TAPE PRINTER
MODEL T104 & MODEL T105
FIGURE 2

K - SERIES INKING ASSEMBLY
FIGURE 3



PARTS LIST

TAPE PRINTER MODELS T104 & T105

(FIGURE 2 & 3)

ITEM	DESCRIPTION	PART NO.:	QT
1	Stainless side plate - right hand	F078070	1
2	Stainless side plate - left hand	F078071	1
3	Marking wheel, 3-1/4" Dia. x 1-3/4" W. (for Model T104) (Specify Serial Number)		1
4	Marking wheel, 3-1/4" Dia. x 2-1/4" W. (for Model T105 (Specify Serial Number)		1
5	Brass bushing 1/4" x 3" long for Marking Wheel	F036314	1
6	Marking wheel shaft, 1/4" Dia. x 3-1/2" Long		1
7	Marking wheel arm	F036884	2
8	Spring holder stud, 1/4" x 1-1/4" Long	F036886	2
9	Manual tape dispenser spring, extension 1" long x .035 wire	F036276	2
10	Electric tape dispenser spring, extension 1" Long x .04 wire	F036277	2
K-SERIES INKING ASSEMBLY			
ITEMS 11 THRU 28			
11	Inker hub assembly	F035237	1
12	Inker 4" OD x 2" wide x 1-1/2" face . 1-1/2" ID (T104) XK7 inker	Specify	1
13	Inker 4" OD x 2" W. x 1-1/2" ID (T105) K7 inker	Color	1
14	Plastic plug	F035124	1
15	Hex jam nut 1/4-28	F035104	1
16	Ball bearing, 3/8" ID	F035101	2
17	Inker spindle	F035278	1
18	Flat washer	F035114	1
19	Wave washer	F035085	1
20	Snap ring - Ext. 1-3/16"	F035096	1
21	Eccentric axle, Tape Marker	F036881	1
22	1/8" Thick spacer		1
23	Set screw, 5/16-18	F035131	1
24	Snap ring - Ext. 3/4"	F035094	1

KIWI CODERS CORPORATION-265 E. MESSNER DR.-WHEELING, IL 60090-312/541-4

GIVE SERIAL NUMBER OF MACHINE WHEN ORDERING PARTS.
ORDER PARTS BY FULL DESCRIPTION AND PART NUMBER.

