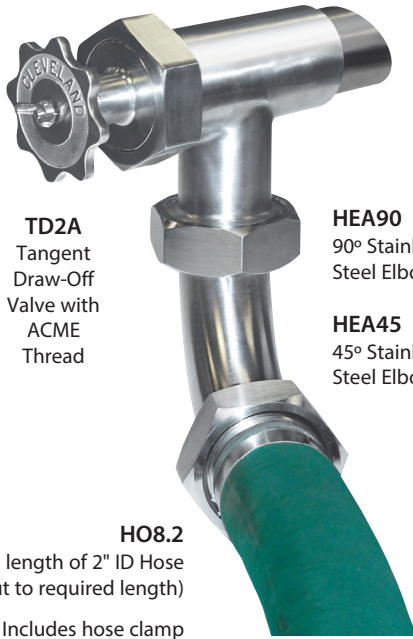


2" TANGENT DRAW OFF VALVE WITH DRAIN HOSE ASSEMBLY

Models

- TD2A90 • TD2A45



TD2A
Tangent Draw-Off Valve with ACME Thread

HEA90
90° Stainless Steel Elbow

HEA45
45° Stainless Steel Elbow

HO8.2
8' length of 2" ID Hose (cut to required length)

Includes hose clamp



Standard Features

- Used to connect Cleveland Range Kettles that have offset Tangent Draw-Off Valves to existing center positioned drains
- Used to connect Cleveland Kettles to remote drain locations

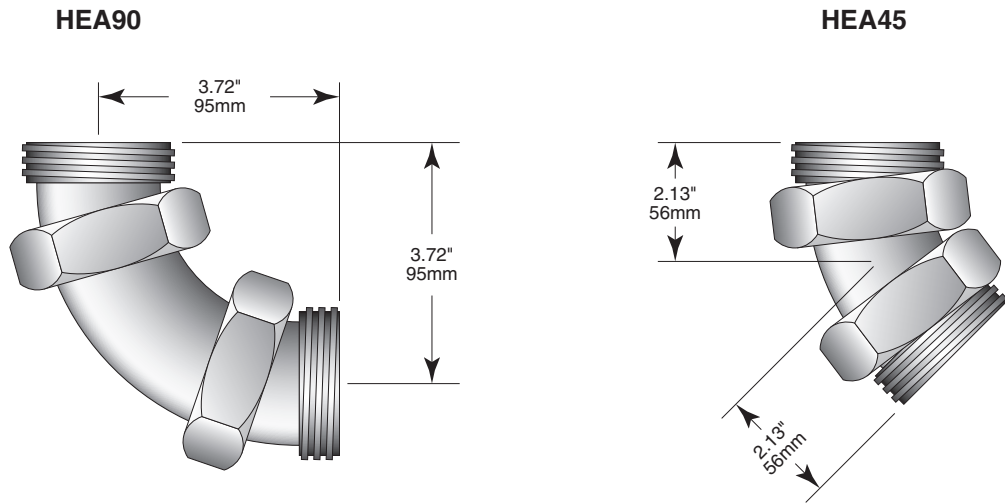
* TD2A90 Includes:

- 2" Tangent Draw-Off Valve with ACME Thread (TD2A)
- 90° Stainless Steel Elbow (HEA90)
- 8' length of 2" ID Hose (HO8.2) (cut to required length)
- Hose Clamp

* TD2A45 Includes:

- 2" Tangent Draw-Off Valve with ACME Thread (TD2A)
- 45° Stainless Steel Elbow (HEA45)
- 8' length of 2" ID Hose (HO8.2) (cut to required length)
- Hose Clamp

* NOTE: The TD2A (Tangent Draw-off with Acme Thread) must be configured on kettle at time of purchase. It cannot be replaced, installed, or retro-fitted in the field.



NOTES:

Cleveland Range reserves right of design improvement or modification, as warranted.
 Many regional, state and local codes exist and it is the responsibility of the owner and installer to comply with the codes.
 Installation of backflow preventers, vacuum breakers and other specific code requirements is the responsibility of the owner and installer.
 Cleveland Range equipment is built to comply with applicable standards for manufacturers. Included among those approval agencies are U.L., A.G.A., NSF, ASME/N.Bd., CSA, CGA, ETL and others.

(NOT TO SCALE)