

Project _____
 Item _____
 Quantity _____
 FCSI Section 11400 _____
 Approved _____
 Date _____

DRAIN CUP ASSEMBLY

Models

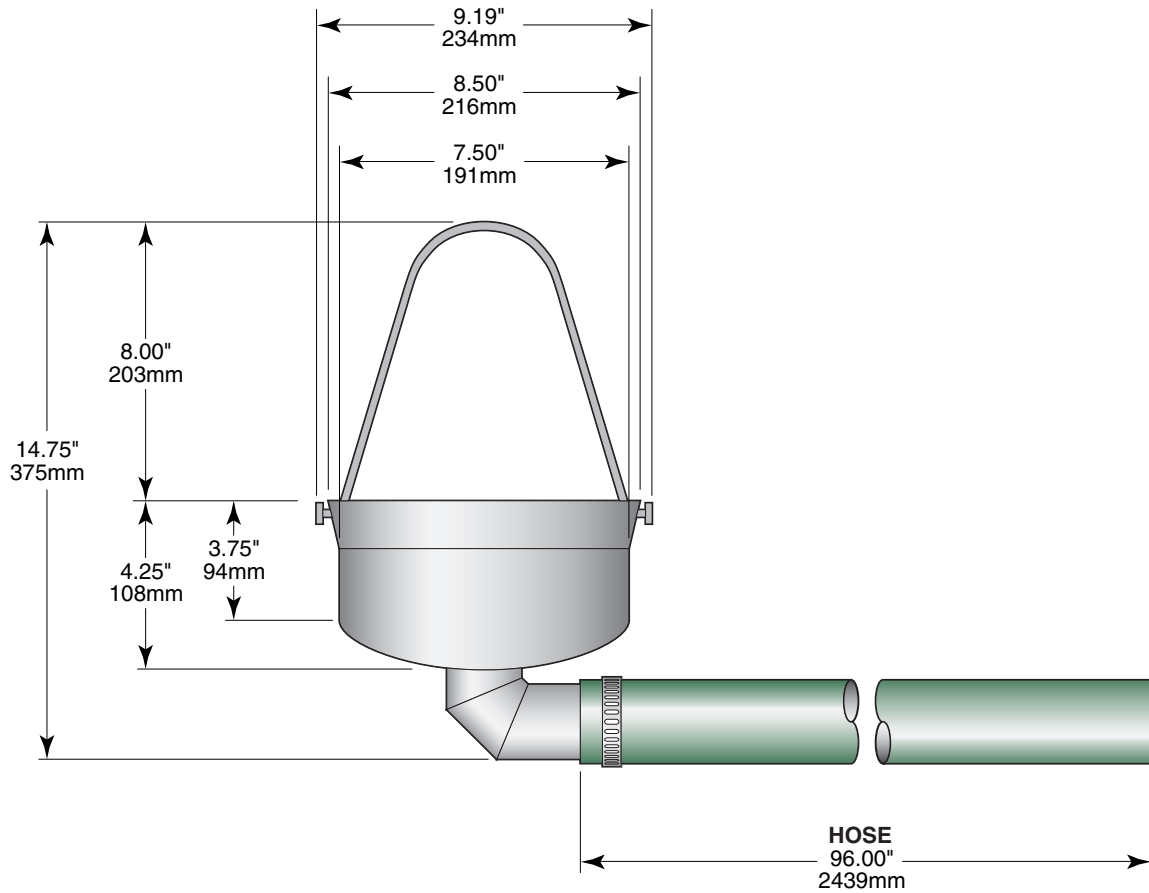
- TD-DC



TD-DC
 Shown on
 KDL-80-T

Standard Features

- The 8' long hose (cut to required length) can be positioned to a remote floor drain. Ideal for the following units that have a Tangent Draw-Off Valve but do not have a floor drain:
 - floor model stationary kettles
 - floor model tilting kettles
 - floor model tilting skillets
- All Stainless Steel Construction



NOTES:

Cleveland Range reserves right of design improvement or modification, as warranted.
 Many regional, state and local codes exist and it is the responsibility of the owner and installer to comply with the codes.
 Installation of backflow preventers, vacuum breakers and other specific code requirements is the responsibility of the owner and installer.
 Cleveland Range equipment is built to comply with applicable standards for manufacturers. Included among those approval agencies are U.L., A.G.A., NSF, ASME/N.Bd., CSA, CGA, ETL and others.

(NOT TO SCALE)