

# Installation Instructions

## Mounting Kit for Two Electric SteamChef 22CET6.1 Steamers Mounted on a Model ES26304066E Equipment Stand, P/N 111467E

**This kit (p/n 111170) is for mounting (2) SteamChef 22CET6.1 steamers on a Model ES26304466E Equipment Stand, P/N 111467E**

Only Cleveland Range authorized technicians should perform the installation of Cleveland Range steamers on the ES26304466E Equipment Stand.

Read the entire installation procedure before beginning.

The installer must be familiar with this procedure, and the instructions supplied with each SteamChef Steamer, Cleveland Range P/N 22CET(ES)-INM and P/N 22CET(ES)-OPM.

Item Number on Drawing	Quantity	Part Number	Description
21	1	112523	WARNING LABEL, BURN AND SCALD HAZARD (SEE FIG. 2)
20	1	05238	ELBOW, 90, 1-1/2" NPT, BLACK
19*	2	05253	ELBOW, STREET 90, 1/2" BRASS
18	1	14324	NIPPLE, CLOSE, 1/2" NPT, BRASS
17	2	111000	FITTING, WYE, GHTF X (2) GHTM, BRASS
16	1	20229	TEE, 1/2" NPT, BRASS
15	1	20221	TEE, 1 1/2" NPT, BLK
14	1	1109842800	HOSE, BLACK, EPDM, 1-1/2" ID X 28" LONG
13	2	102018	CLAMP, HOSE, WORM DRIVE
12	2	110985	FITTING, 1-1/2" HOSE X 1-1/2" NPT (M)
11	2	06241	FITTING, HOSE BARB, 3/4" X 1/2" NPT, BRASS
10	2	03204	CLAMP, HOSE, WORM DRIVE, .812-1.50 DIA
9	1	085113400	HOSE, WHITE, EPDM, 3/4" ID X 34" LONG
8	2	02579	BUSHING, HEX, 1-1/4" NPT X 1-1/2" NPT, BLK
7	2	14496	NIPPLE, 1-1/4" NPT X 2-1/2" LONG, BLK, TBE
6	2	111160	HOSE ASSEMBLY, GHT (F) X 39" LONG
5*	4	110987	STRAINER, FILTER WASHER, GARDEN HOSE INLET (GHT)
4	4	111013	WASHER, FENDER, 17/32" ID X 1.5" OD
3	4	23153	WASHER, LOCK, 1/2", SST
2	4	111012	SCREW, 1/2 - 13 , HEX HEAD
1	-	111467E	EQUIPMENT STAND, ASSEMBLY, STACKED (MODEL NO. ES26304466E)

\*NOTE: Items 5 and 19 are supplied with the steamer and not included in this kit.

1333 East 179<sup>th</sup> Street  
Cleveland, Ohio 44110  
Phone: (800) 338-2204  
Fax: (216) 481-3782  
[www.clevelandrange.com](http://www.clevelandrange.com)

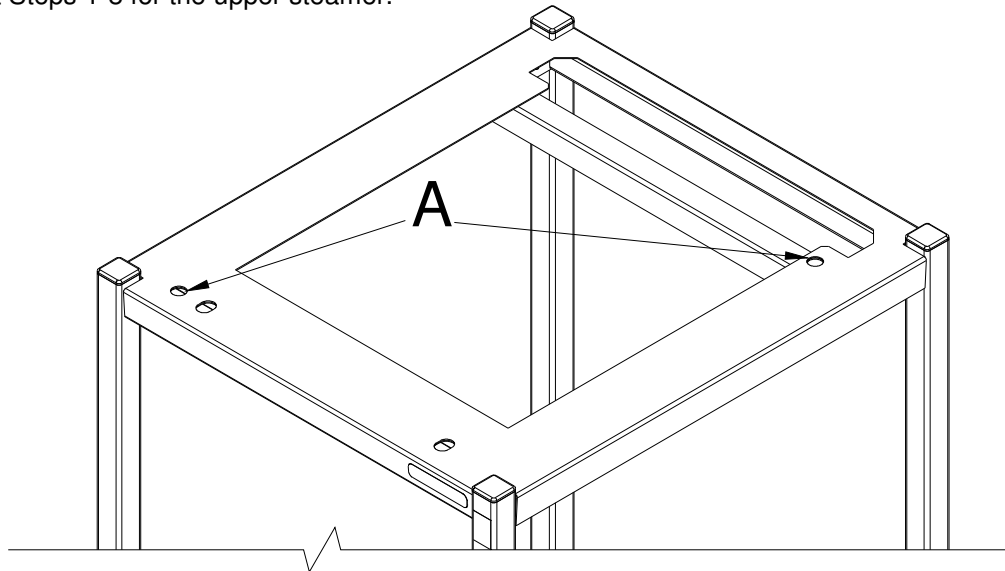


**This kit is for mounting (2) 22CET6.1 steamers on a Model ES26304466E Equipment Stand, P/N 111467E. The Installation of Cleveland Range steamers on the ES26304466E Equipment Stand should only be performed by Cleveland Range authorized technicians.**

Read the entire installation procedure before beginning.

The installer must be familiar with this procedure, and the instructions supplied with each SteamChef Steamer, Cleveland Range P/N 22CET(ES)-INM and P/N 22CET(ES)-OPM.

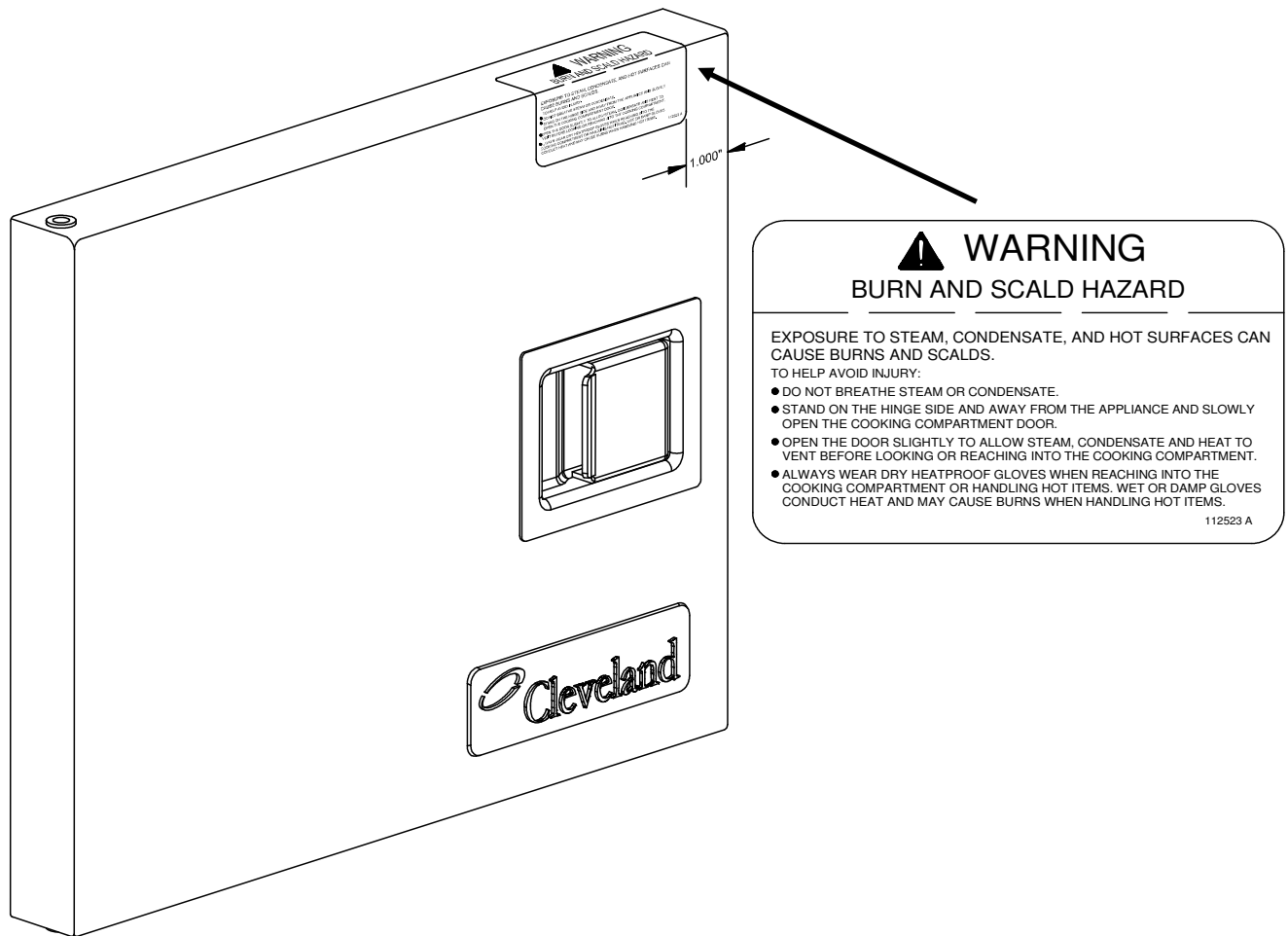
1. Position stand in the selected location so that the feet with round mounting pads are at the rear.
2. Use the adjustable feet of the stand to level the stand front-to-back and side-to-side.
3. The stand must be anchored to floor through holes in the round mounting pads in the rear feet.
4. **Do NOT** screw the 4" legs into steamers. **Do not use** the 4-inch legs provided with the steamers when installing SteamChef steamers on a stand.
5. Set the **LOWER** steamer on the stand as shown in Figure 3.
6. Align the steamer so that the left front and right rear mounting bolts will come up through holes "A" indicated in Figure 1.
7. Secure the lower steamer to the stand using the hardware provided. See Figure 3.
8. Remove the side panels and seal any gaps between steamer and stand with a suitable RTV Sealant (not provided).
9. Repeat Steps 1-8 for the upper steamer.



**Figure 1  
SteamChef Mounting Holes**

10. Attach drain fittings as shown in Figure 3.
  - Use a suitable pipe thread sealant or Teflon tape (not provided) on all NPT threaded connections.
  - Use a suitable plain washer or strainer washer at all Garden Hose threaded connections. See Figure 3 for strainer washer locations.
  - **DO NOT USE PIPE THREAD SEALANT OR TEFLON TAPE ON GARDEN HOSE THREADED CONNECTIONS.**
11. Check length of drain hose (Figure 3, Item 14) and shorten if necessary.
12. Place worm drive clamps (Figure 3, Item 13) over hose and push hose onto upper hose fitting.
13. Slightly rotate lower tee and hose fitting counter-clockwise until lower end of hose can start onto fitting.
14. Slide hose fully onto fitting by rotating tee and fitting back to their original vertical position.
15. Secure hose to fittings with worm drive clamps.

16. Attach inlet water trains for reservoir and condenser as shown in Figure 3. (Items 5, 6, 17).
  - Each SteamChef steamer is supplied with strainer washers (Figure 3, Item 5) for use on the water inlets. **THESE STRAINER WASHERS MUST BE USED ON THE STEAMER WATER INLET CONNECTIONS.**
17. After RTV sealant has set, replace side panels.
  - Do not seal side panels to unit.
  - Side panels must be easily removable for service access.
18. Install vent fittings (Items 11, 16, 18, 19) as shown in Figure 3.
  - Use a suitable pipe thread sealant or Teflon tape (not provided) on all NPT threaded connections.
19. Check length of vent hose (Figure 3, Item 9) and shorten if necessary.
20. Place worm drive clamps (Figure 3, Item 10) over hose and push hose onto hose fittings.
21. Secure hose to fittings with worm drive clamps.
22. Complete the installation of the steamers as outlined in the SteamChef Installation Manual, P/N 22CET(ES)-INM and Operator's Manual, 22CET(ES)-OPM.
23. Place the Burn and Scald Hazard warning label on the door of the LOWER steamer as shown in Figure 2.



**Figure 2**  
**Warning Label Application**

- NOTES**
1. SET THE UNITS ONTO THE STAND AND ATTACH THEM WITH THE 4 SETS OF BOLTS AND WASHERS PROVIDED (ITEMS 2, 3 AND 4).
  2. INSTALL THE PLUMBING AND DRAIN AS SHOWN. ALL THREADED PLUMBING (EXCEPT THOSE OF THE HOSE THREAD TYPE, ITEMS 6 AND 17) REQUIRES THE USE OF PIPE SEALANT OR TEFLON TAPE (NOT PROVIDED).
  3. THE END OF THE DRAIN MANIFOLD MUST BE EXTENDED TO A SUITABLE DRAIN. DO NOT PLUMB THE DRAIN SOLID TO THE FLOOR DRAIN, BUT INSTALL IT "FREE AIR VENTED". THERE MUST BE A 1" AIR GAP AT THE DRAIN END. IMPORTANT: WHEN STACKED, A 2" MINIMUM DRAIN CONNECTION IS REQUIRED BETWEEN THE OUTLET OF THE COMMON DRAIN AND THE FLOOR DRAIN. UNDER NO CIRCUMSTANCES SHOULD THE DRAIN PIPING EVER BE SIZED SMALLER THAN COMMON DRAIN OUTLET.
  4. SEE INSTALLATION INSTRUCTIONS P/N 220ET(ES)-INN FOR ADDITIONAL DETAILS OF STEAMCHEF 3.1 & 6.1 INSTALLATION.
  5. SUPPLIED WITH STEAMER, NOT PART OF THE KIT.
  6. SEAL ANY GAPS BETWEEN THE STEAMERS AND THE STAND WITH A SUITABLE FOOD GRADE RTV SILICONE SEALANT (NOT PROVIDED) RATED AT LEAST 250°F AND LISTED OR CLASSIFIED TO THE NSF/ANSI 51 OR 61 STANDARDS.

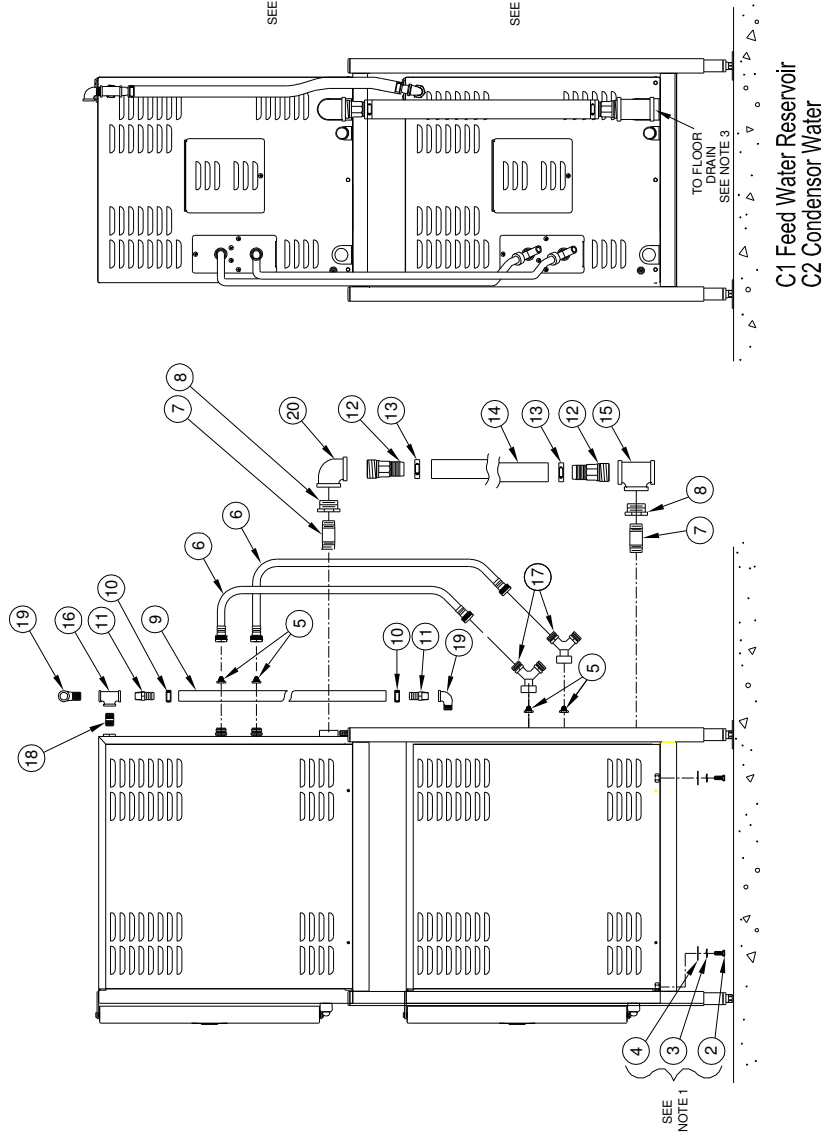


Figure 3

Plumbing and Drain Connections  
Electric SteamChef 6.1 + 6.1 shown

21	1	116238	LABEL, WARNING
20	1	05238	ELBOW, 90, 1/2" NPT, BLACK
19	2	05233	ELBOW, STREET, 90, 1/2" BRASS
18	1	14304	NIPPLE, GUNDRILL, 1/2" NPT, BRASS
17	2	11000	FITTING, W/TE GHT, 1/2" GHTN, BRASS
16	1	20229	TEE, 1/2" NPT, BRASS
15	1	20221	TEE, 1/2" NPT, BLACK/IRON
14	1	110946001	HOSE, BLACK EPDM, 1/2" ID X 28" LONG
13	2	020018	CLAMP, HOSE, WORKABLE
12	2	110985	FITTING, 1/2" HOSE X 1/2" NPT (M)
11	2	06281	FTG. HOSE BARB, 3/4" X 1/2" NPT, BRASS
10	2	02004	CLAMP, HOSE, WORKABLE, R1/2"-5/8" DIA.
9	1	063113400	HOSE, WHITE EPDM, 3/4" ID X 34" LONG
8	2	02079	BUSHING, HEX, 1/4" NPT X 1/2" NPT, BLK
7	2	14498	NIPPLE, 1/4" NPT, 1/2" LONG, BLK, TEE
6	2	11160	HOSE ASSEMBLY, GHT, 1/2" X 37" LONG
5	4	110887	STRAINER, FILTER, WASHER, GARDEN HOSE INLET (GHT)
4	4	111013	WASHER, FENDER, 1/2" ID X 1.370
3	4	23105	WASHER, LOCK, 1/2" SST
2	4	111072	SCREW, 1/2"-13, HEX-HEAD, SST
1	1	111467E	EQUIPMENT STAND, ASSY, STACKED (MODEL NO. ES35H48E)

SEE NOTE 5

SEE NOTE 6

C1 Feed Water Reservoir  
C2 Condenser Water