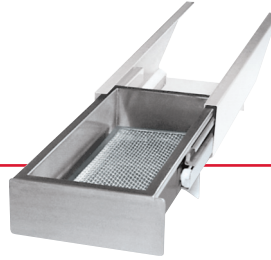


SLIDING DRAIN PAN

FOR OPEN BASE
R-SERIES SKILLETS



Project _____
 Item _____
 Quantity _____
 FCSI Section 11400 _____
 Approved _____
 Date _____

Models

- SLD-TD • SLD

MODEL SLD-TD (Shown on model SGL-40-TR)

Complete with:

- Sliding Drain Drawer
- 2" Tangent Draw-Off Valve



Standard Features

- Drain Drawer and 2" Tangent Draw-Off Valve mounted on left-hand side of unit.
- Modified Pan Hinge allows full tilting.
- Durable 12 gauge, 304 Stainless Steel construction.
- 1 1/4" NPT Drain Pipe Connection.
- Removable Stainless Steel Grate.
- Durable Nylon Rollers.

MODEL SLD-TD (Shown on model SGL-40-TR)

Complete with:

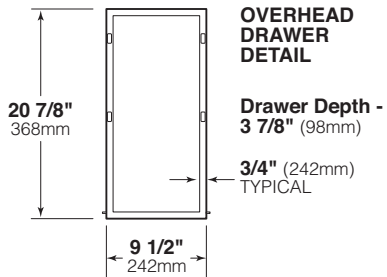
- Sliding Drain Drawer



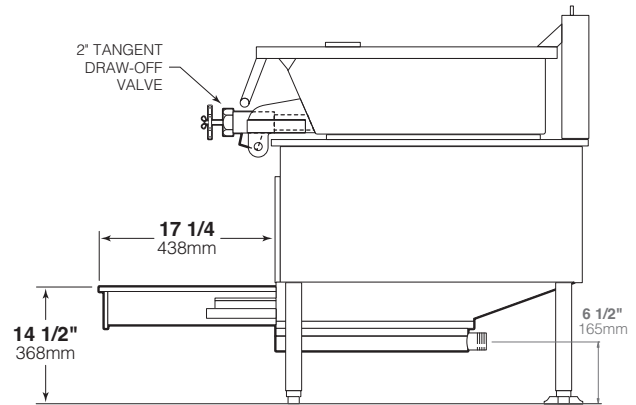
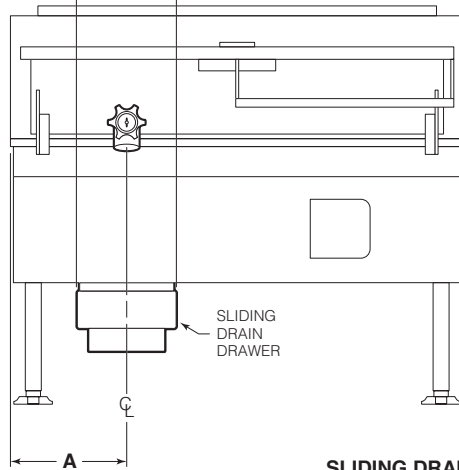
Standard Features

- Drain Drawer and Pour Spout mounted on left-hand side of unit.
- Cover Handle mounted on right-hand side of unit.
- Durable 12 gauge, 304 Stainless Steel construction.
- 1 1/4" NPT Drain Pipe Connection.
- Removable Stainless Steel Grate.
- Durable Nylon Rollers.

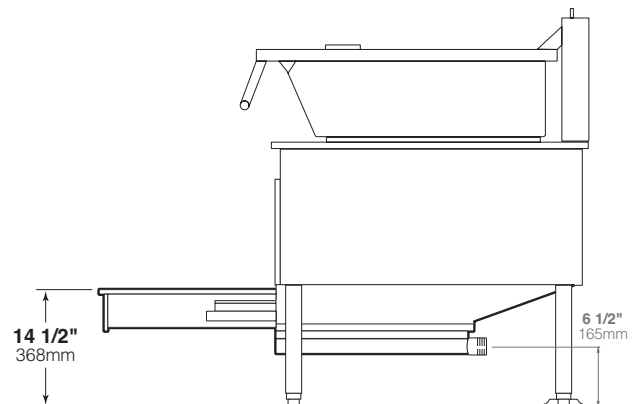
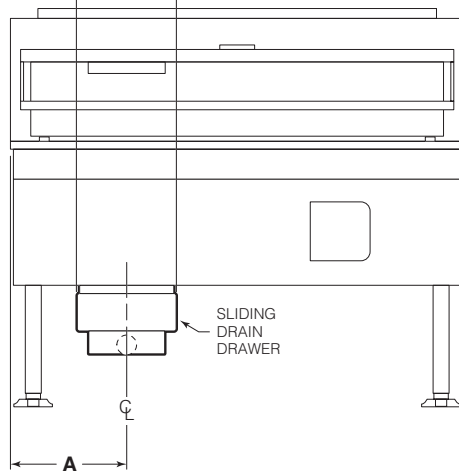
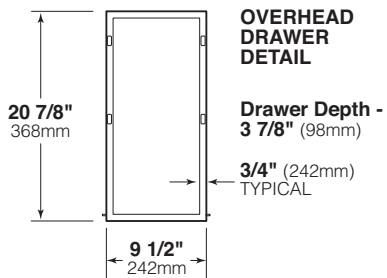
KE004046-94


DIMENSIONS

CAPACITY	A
30 GAL.	9 3/16"
	(234mm)
40 GAL.	12 3/32"
	(307mm)



FOR SEL / SGL-TR
SLIDING DRAIN DRAWER WITH TANGENT DRAW-OFF VALVE



FOR SEL / SGL-TR
SLIDING DRAIN DRAWER

NOTES:

Cleveland Range reserves right of design improvement or modification, as warranted.
 Many regional, state and local codes exist and it is the responsibility of the owner and installer to comply with the codes.
 Cleveland Range equipment is built to comply with applicable standards for manufacturers. Included among those approval agencies are U.L., NSF, CGA, CSA, ETL and others.

(NOT TO SCALE)