

Technical Training Handbook and Reference Guide



**Technical Training Handbook
and
Reference Guide**

**Section 9 :
Additional Products**

EQUIPMENT STANDS

*28" OPEN TYPE STAND
 REMOVABLE DRAIN DRAWER with SPLASH SHIELD
 ALL STAINLESS STEEL*

Cleveland Standard Features

- All Stainless Steel construction with 1 1/4" square tubing
- Adjustable Feet (rear feet are flanged for Floor Bolting)
- Removable combination Drain Drawer (with Splash Shield) and Pan Support
- Ideal for mounting table type kettles, mixer kettles and skillets (models KET-3-T, KET-6-T, KET-12-T, KDT-3-T*, KDT-6-T*, KDT-12-T*, KDT-20-T*, MKET-12-T, MKDT-12-T, SET-15, SET-10).

*Requires Direct Steam Adaptor Top accessory

Options & Accessories

- Direct Steam Adaptor Top (AK)

*28" OPEN TYPE ECONOMY STAND
 ALL STAINLESS STEEL*

Cleveland Standard Features

- All Stainless Steel construction with 1 1/4" square tubing
- Adjustable Feet (rear feet are flanged for Floor Bolting)
- Ideal for mounting table type kettles, mixer kettles and skillets (models KET-3-T, KET-6-T, KET-12-T, KDT-3-T*, KDT-6-T*, KDT-12-T*, KDT-20-T*, MKET-12-T, MKDT-12-T, SET-15, SET-10).

*Requires Direct Steam Adaptor Top accessory

Options & Accessories

- Direct Steam Adaptor Top (AK)

MODEL: *ST-28*



Short Form Specifications

Shall be CLEVELAND, Open Type Equipment Stand with removable Drain Drawer, Splash Shield and Adaptor Top (optional), Model ST-28. All Stainless Steel construction with 1 1/4" square tubing. Furnished with Level Adjustable Feet (rear feet are flanged for Floor Bolting).

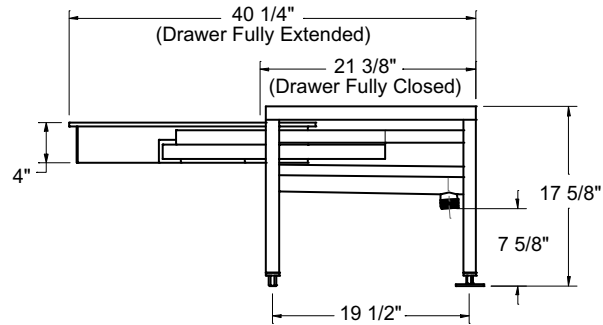
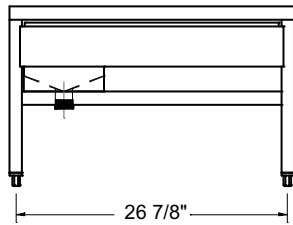
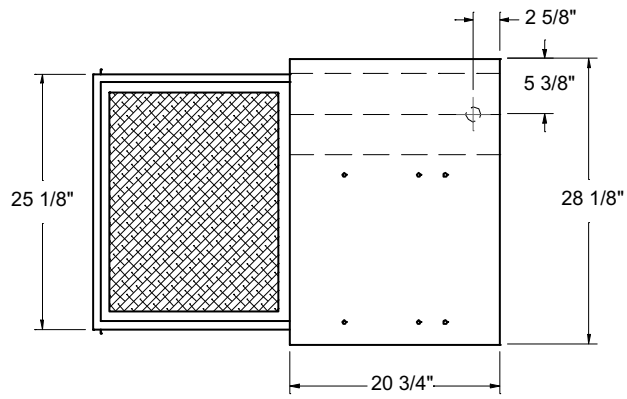
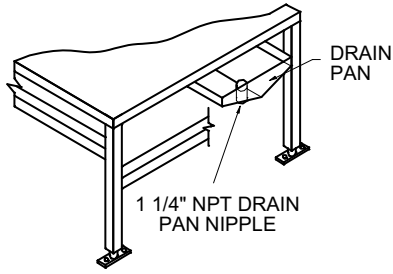
MODEL: *EST-28*



Short Form Specifications

Shall be CLEVELAND, Open Type Equipment Stand with Adaptor Top (optional), Model EST-28. All Stainless Steel construction with 1 1/4" square tubing. Furnished with Level Adjustable Feet (rear feet are flanged for Floor Bolting).

REAR VIEW / DRAIN PAN DETAIL



MOUNTING OPTIONS (SELECT ANY ONE UNITS PER STAND)

<p>KDT-3-T DIRECT STEAM ADAPTOR TOP REQUIRED (AK) REAR CLEARANCE - 0"</p>	<p>KDT-6-T DIRECT STEAM ADAPTOR TOP REQUIRED (AK) REAR CLEARANCE - 0"</p>	<p>KDT-12-T DIRECT STEAM ADAPTOR TOP REQUIRED (AK) REAR CLEARANCE - 0"</p>	<p>KDT-20-T DIRECT STEAM ADAPTOR TOP REQUIRED (AK) REAR CLEARANCE - 2" MIN</p>
<p>KET-3-T REAR CLEARANCE - 0"</p>	<p>KET-6-T REAR CLEARANCE - 0"</p>	<p>KET-12-T REAR CLEARANCE - 0" REAR CLEARANCE - 1" MIN</p>	
<p>KGT-6-T REAR CLEARANCE - 2" MIN</p>	<p>KGT-12-T REAR CLEARANCE - 4 1/2" MIN</p>	<p>SET-10 REAR CLEARANCE - 2 1/2" MIN RIGHT SIDE CLEARANCE - 6" MIN</p>	<p>SET-15 (1 only) REAR CLEARANCE - 2 1/2" MIN RIGHT SIDE CLEARANCE - 6" MIN</p>

NOTES:

Cleveland Range reserves right of design improvement or modification, as warranted.
Many regional, state and local codes exist and it is the responsibility of the owner and installer to comply with the codes.
Installations of Back Flow Preventers, Vacuum Breakers and other specific code requirements are the responsibility of the Owner and Installer.
Cleveland Range equipment is built to comply with applicable standards for manufacturers. Included among those approval agencies are U.L., NSF, CGA, CSA, ETL and others.

(NOT TO SCALE)

SECT. VII PAGE 12

0609

Litho in U.S.A.

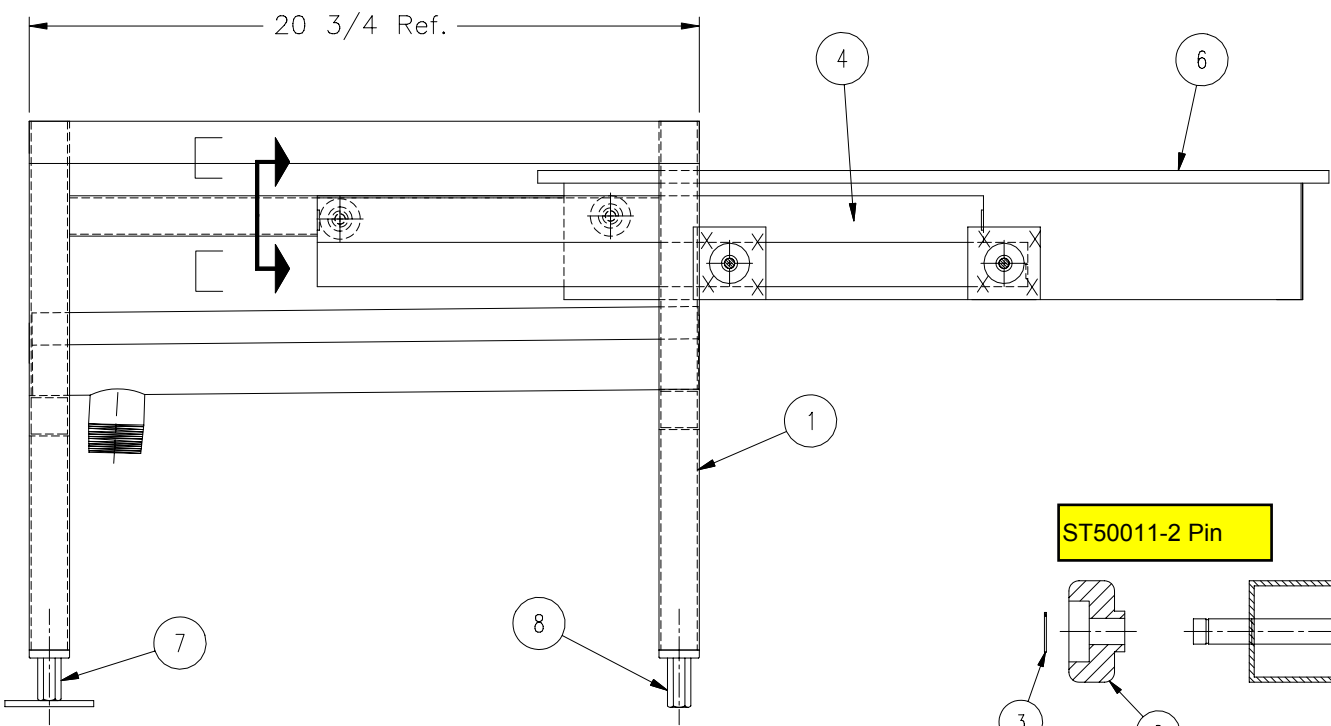
**Splash Guard Pins
KE54899-2**



ST-28



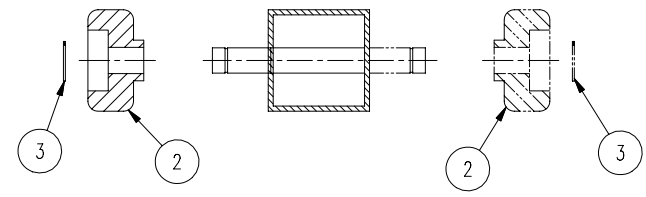
ST-42 & ST-55



sectional view of stand

-	ST-55	STAND ASSEMBLY			▼
-	ST-42	STAND ASSEMBLY			▼
-	ST-28	STAND ASSEMBLY		▼	
ITEM	PART_#	DESCRIPTION	QTY	QTY	QTY
1	ST00001-1	STAND WELDMENT	1	-	-
	ST00001-2	STAND WELDMENT	-	1	-
	ST00001-3	STAND WELDMENT	-	-	1
2	ST50010	WHEEL; SLIDE	4	8	8
3	FA95007-2	RETAINING RING	4	8	8
4	ST50008-1	SLIDE; LHS	1	2	2
5	ST50008-2	SLIDE; RHS	1	2	2
6	ST00003-1	PAN; WELDMENT/ASSEMBLY	1	-	2
	ST00003-2	PAN; WELDMENT/ASSEMBLY	-	2	-
7	STD00002	REAR FOOT ASSEMBLY	2	3	3
8	STD50026	ADJUSTABLE FOOT	2	3	3
9	SE95026	EQUIP. CARE/CLEANING INST.	1	1	1
10	KE02080-1	SPLASH SCREEN	1	-	2
	KE02080-2	SPLASH SCREEN	-	2	-

ST50011-2 Pin



SECTION 'C-C'

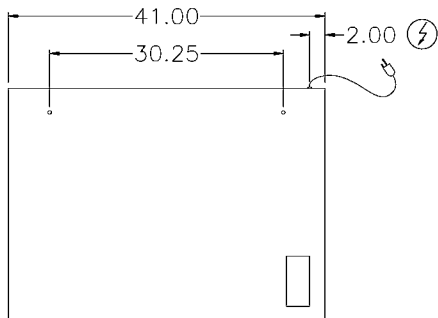
CR-334[®]

WARMING CABINET
FLOOR MODEL - ELECTRIC

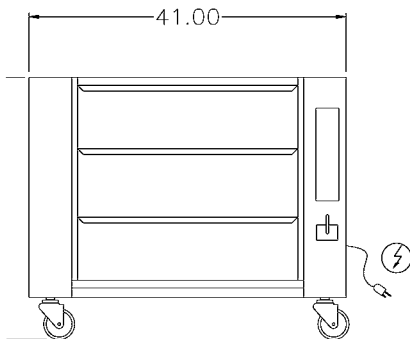
MODEL: CR-334

ITEM NUMBER _____

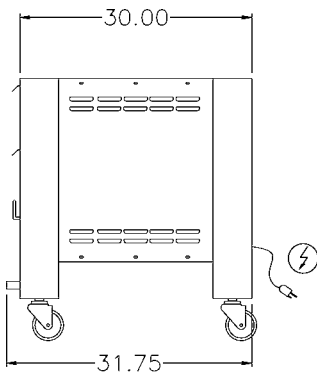
JOB NAME / NUMBER _____



TOP



FRONT



RIGHT SIDE



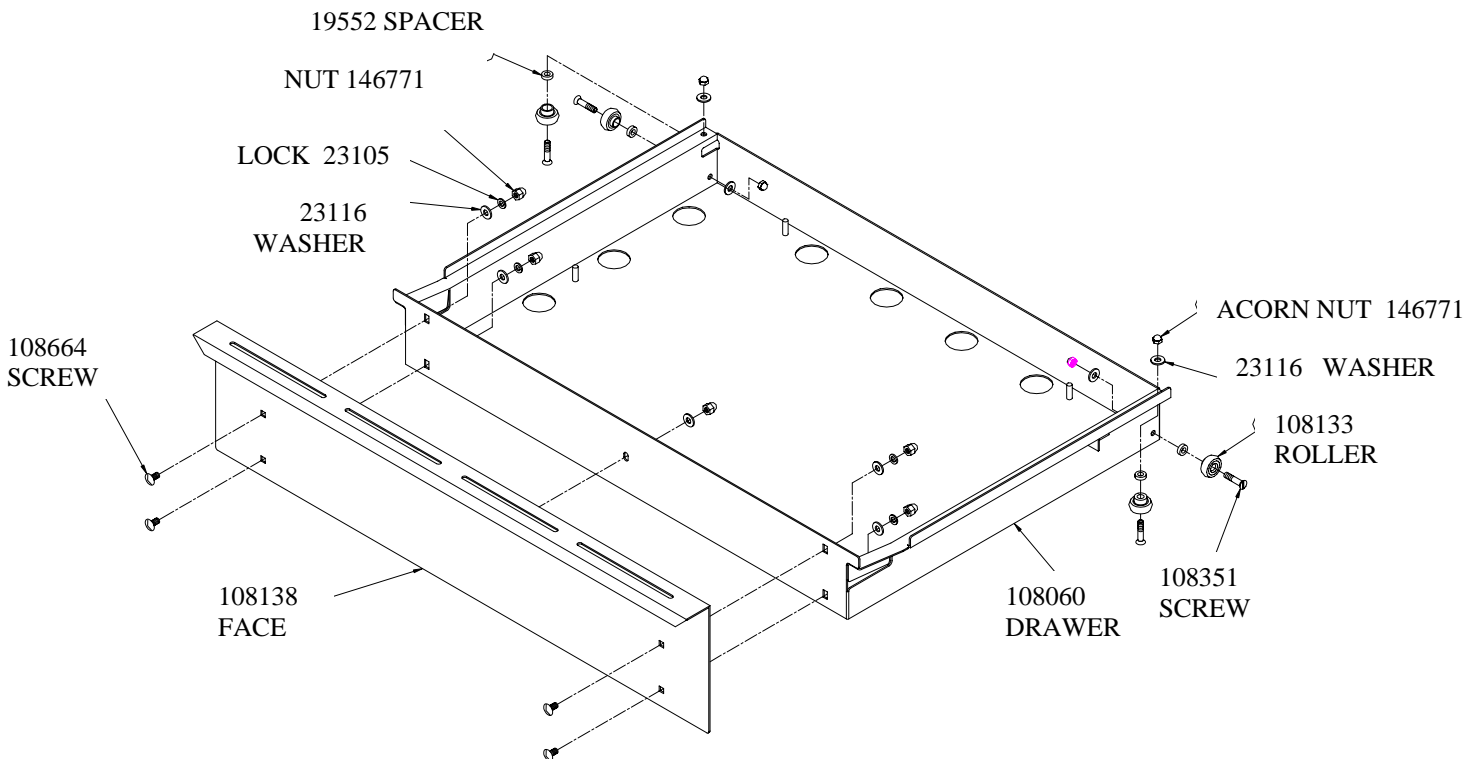
SHORT FORM SPECIFICATION

CR-334 Warming Cabinet: three Removable Drawers, two identical adjustable Temperature Controls for air and water heating, Heat-On LED indicator displays the air and water temperature. Rear, center mounted Convection Fan.

MODEL	CAPACITY	SERVICE CONNECTIONS	INSTALLATION NOTES	
CR-334	9 Skewers or 9 Turkey Baskets 3 per drawer	Electrical Connection- supplied with 6 ft. cord ⚡ NEMA - style L5-30P plug 30AMP, 1PH, 120V circuit	Suitable for installation on combustible floors Min. clearance to combustible or non-combustible walls: Sides - 3", Back - 6"	
		ELECTRIC		
		VOLTS		KW
		120	2500	21.5

WARMING DRAWER ROLLER REPLACEMENT GUIDE

Replace the rollers as needed using the drawings below as a guide. Note the placement of the spacers and washers because this is important for proper operation.

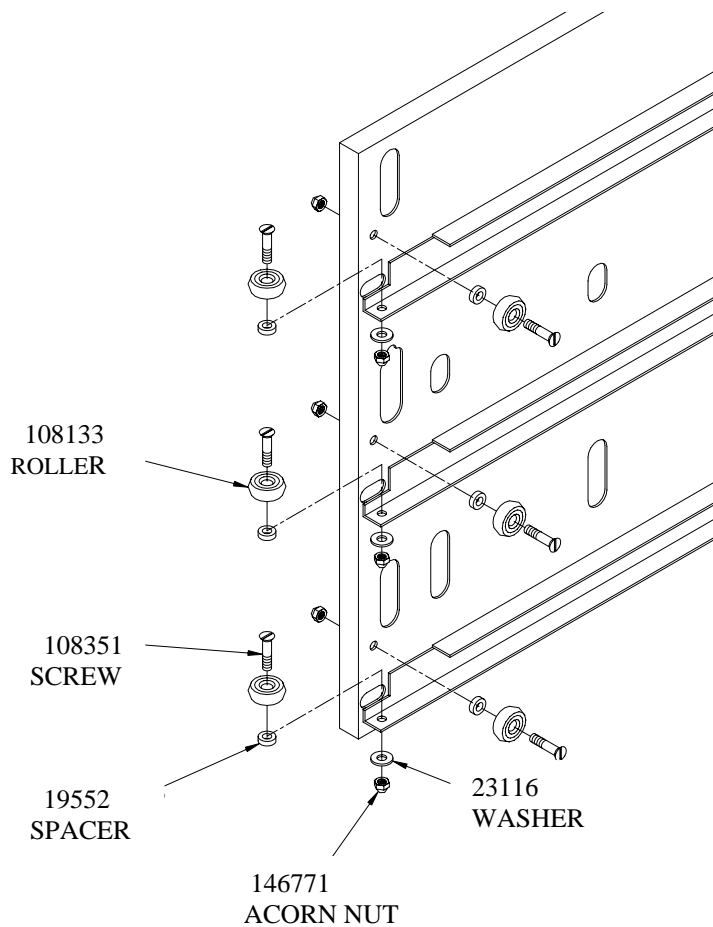


NOTE: 4 ROLLERS AND HARDWARE PER DRAWER
 IF REPAIRING THE FACE FROM BROKEN STUDS, HOLES WILL NEED TO BE DRILLED WHERE STUDS WERE LOCATED TO ACCOMMODATE THE CARRIAGE BOLT (SCREW), OR ORDER NEW FACE.
 COMPLETE DRAWER ASSEMBLY 108061 \$337.75
LOCTITE SHOULD BE USED ON INSIDE OF NUTS

PART NO.	DESC.
108133	ROLLER
108351	SCREW
19552	SPACER
23116	WASHER
146771	NUT
23105	LOCK
108664	SCREW
108060	DRAWER
108138	FACE

WARMING DRAWER ROLLER REPLACEMENT GUIDE FOR INNER LINERS

Replace the rollers as needed using the drawings below as a guide. Pay close attention to the placement of the spacers and washers because this is important for proper operation.



NOTE: 6 SETS OF HARDWARE FOR EACH INNER LINER
 COMPLETE LEFT INNER LINER 110076 \$200.00 LIST
 COMPLETET RIGHT INNER LINER 110075 \$200.00 LIST
LOCTITE SHOULD BE USED ON INSIDE ON NUTS

PART NO.	DESC.
108133	ROLLER
108351	SCREW
19552	SPACER
23116	WASHER
146771	NUT

