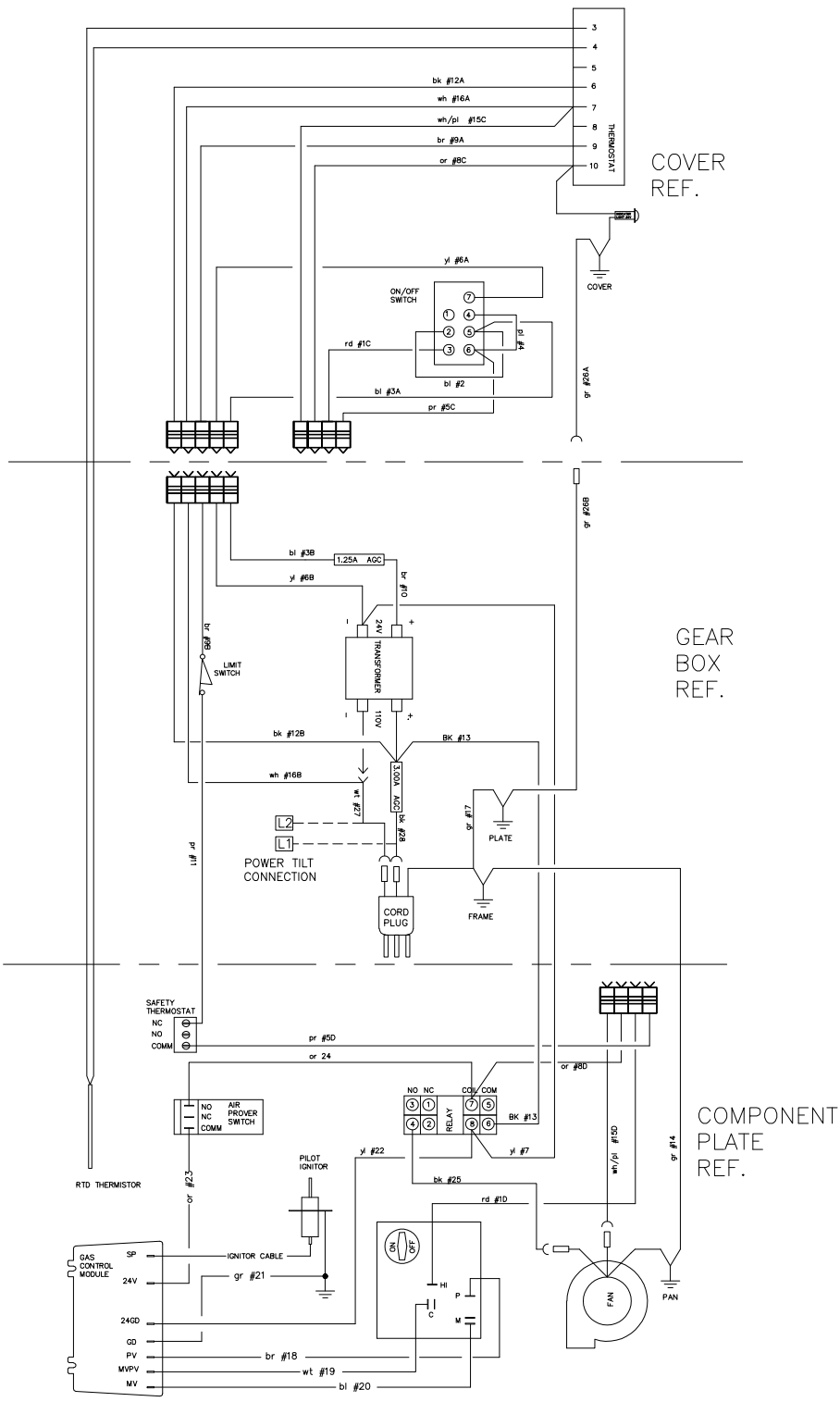


#	DESCRIPTION	DATE	APPROVED
J	SEE SHEETS #2, 4 & 5	04/02/2019	KHUANG



WARNING 110-120 VOLT 1PH 60HZ, STANDARD SK90125-2 Rev. F

LABELS ARE PRODUCED IN HOUSE WITH THE THERMO PRINTER. ARTWORK MUST BE UPDATED IN PRINTER DATABASE.

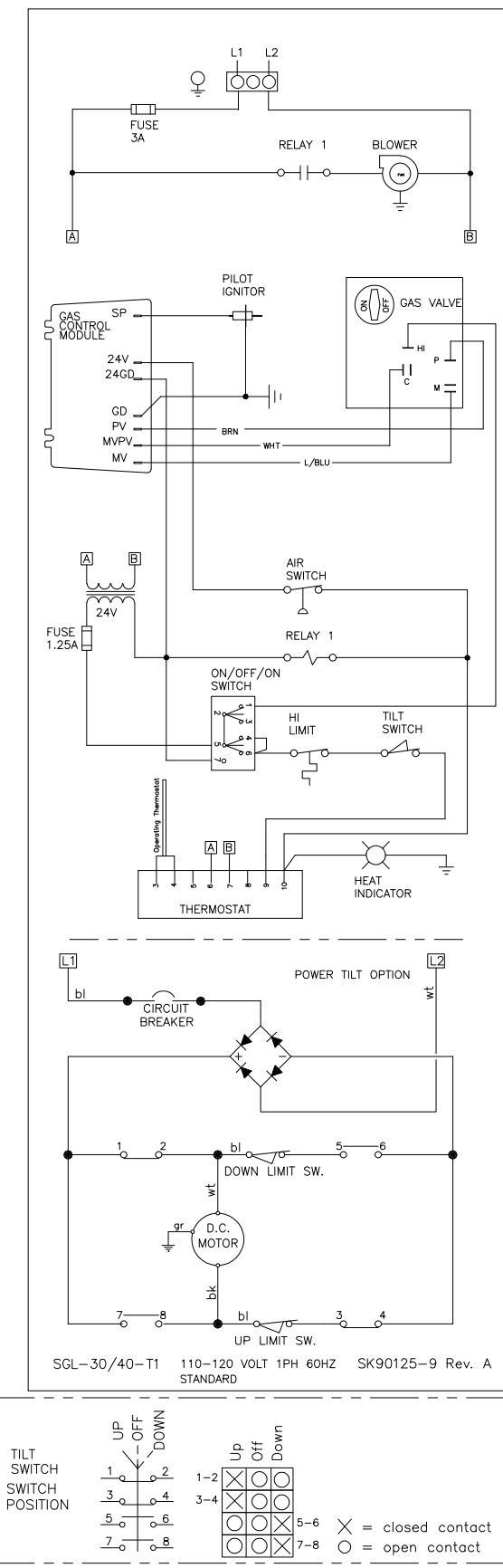
**MATERIAL SPECIFICATIONS**

STOCK- 4" WHITE TRANSFORM PERM LABEL STOCK  
 VENDOR- WEBER #50629690  
 500 FOOT ROLL

RIBBON- 4" TRANSFORM PERM BLACK RIBBON  
 VENDOR- WEBER #609911  
 1509 FOOT ROLL

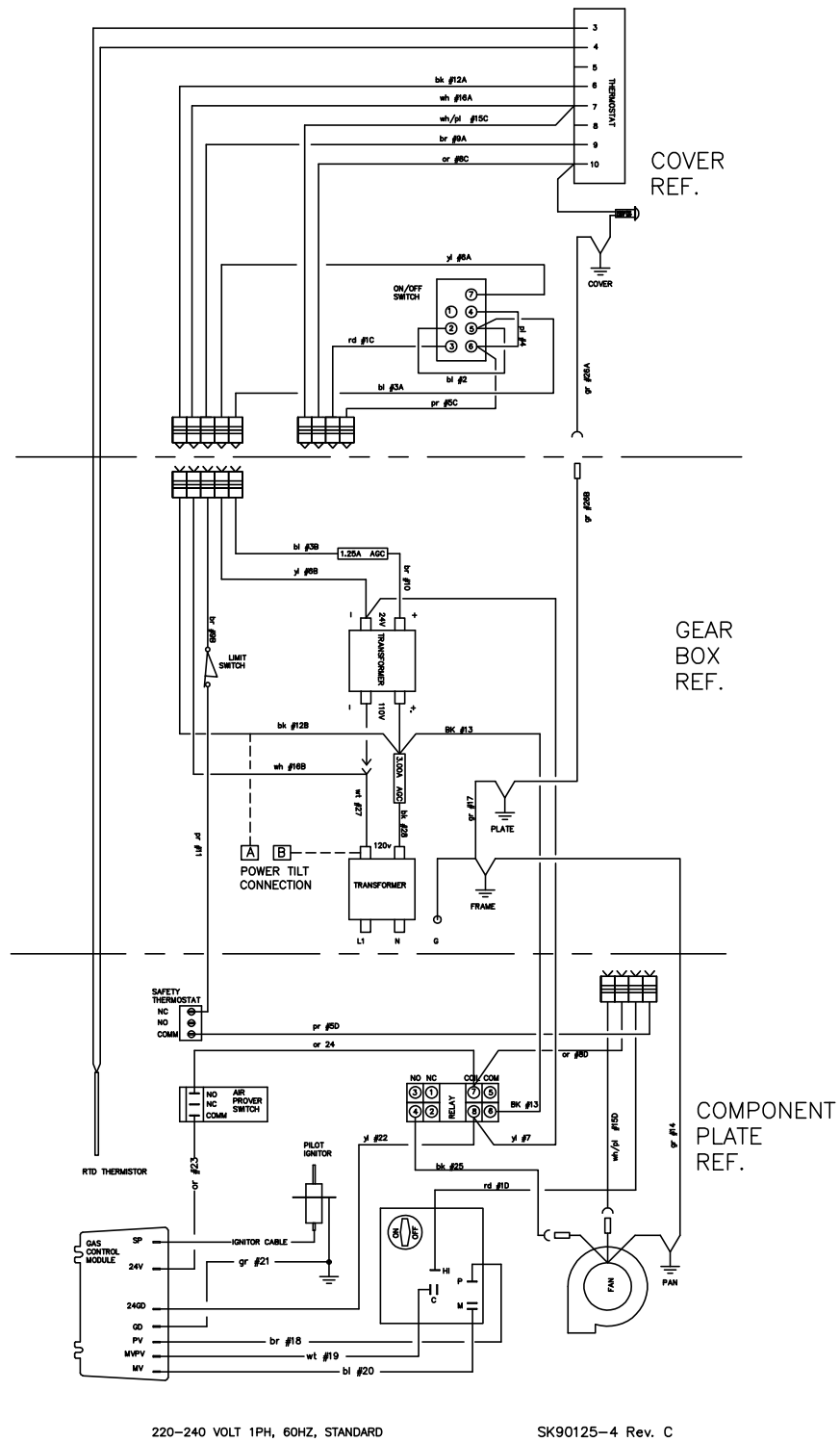
120 volt, T1 GAS WIRE HARNESS						
WIRE#	COLOUR	GAUGE	LENGTH INCHES	CONN TYPE	CONN TYPE	OBS
Unless otherwise noted all recepticals are female						
COVER						
1C	RD	18	14	Receptical .250	MOLEX	
2	BL	18	5.5	Receptical .250	Receptical .250	2 + 3A JOINED
3A	BL	18	10	Receptical .250	MOLEX	2 + 3A JOINED
4	PL	18	5.5	Receptical .250	Receptical .250	4 + 5C JOINED
5C	PL	18	14	Receptical .250	MOLEX	4 + 5C JOINED
6A	YL	18	10	MULEX	Receptical .250	
8C	OR	18	14	Receptical .250	MOLEX	
9A	BR	18	10	Receptical .250	MOLEX	
12A	BK	18	10	Receptical .250	MOLEX	
15C	WH/PL	18	14	MULEX	PIGGY BACK	
16A	WH	18	10	Receptical .250	MOLEX	
26A	GR	18	14	#8 RING	Receptical .250	
GEAR BOX						
3B	BL	18	14	Receptical .250	MOLEX	
6B	YL	18	14	Receptical .250	MOLEX	
9B	BR	18	14	MOLEX	INS. FORK #8	
10	BR	18	10	Receptical .250	Receptical .250	
12B	BK	18	14	MOLEX	PIGGY BACK	
16B	WH	18	17	MOLEX	BARE	
17	GR	18	23	#8 RING	#8 RING	
26B	GR	18	14	Receptical .250 Male	#8 RING	26B + 17 JOINED
27	WH	18	14	BARE	Receptical .250	
28	BK	18	26	Receptical .250	Receptical .250	
COMPONENT PLATE						
1D	RD	18	54	MOLEX	Receptical .250	
5D	PL	18	62	MOLEX	#8 RING	
8D	OR	18	65	MOLEX	INS. FORK #8	8 + 24 JOINED
7	YL	18	71	PIGGY BACK	INS. FORK #8	7 + 22 JOINED
11	PL	18	68	#8 RING	INS. FORK #8	
13	BK	18	77	INS. FORK #8	Receptical .250	
14	GR	18	54	#8 RING	#8 RING	
15D	WH/PL	18	57	MULEX	Receptical .250	
18	BR	18	20	Receptical .250	Receptical .250	
19	WH	18	20	Receptical .250	Receptical .250	
20	BL	18	20	Receptical .250	Receptical .250	
21	GR	18	18.5+18.5	#10 RING + 1/4 RING	Receptical .250	
22	YL	18	10	INS. FORK #8	Receptical .250	22 + 7 JOINED
23	OR	18	10.5	Receptical .250	Receptical .250	
24	OR	18	10	Receptical .250	INS. FORK #8	24 + 8 JOINED
25	BK	18	10	Receptical .250	INS. FORK #8	
	YL	18	40	-	-	PULL WIRE
OTHER						
IGNITOR WIRE			13	Receptical .250	BOOT AND PLUG	SGI-250 2SKVDC 250f
LIQUID CONDUIT	1/2" ID		24	STREIGHT	90 DRGREE	

Molex.#39-01-3083  
 and #39-01-2080 110-120 VOLT, 1PH 60 HZ  
 UL CSA APPROVED





#	DESCRIPTION	DATE	APPROVED
J	SEE SHEETS #2, 4 & 5	04/02/2019	KHUANG



220-240 volt, T1 GAS WIRE HARNESS						
WIRE#	COLOUR	GAUGE	LENGTH INCHES	CONN TYPE	CONN TYPE	OBS
Unless otherwise noted all receptals are female						
COVER						
1C	RD	18	14	Receptical .250	MOLEX	
2	BL	18	5.5	Receptical .250	Receptical .250	2 + 3A JOINED
3A	BL	18	10	Receptical .250	MOLEX	2 + 3A JOINED
4	PL	18	5.5	Receptical .250	Receptical .250	4 + 5C JOINED
5C	PL	18	14	Receptical .250	MOLEX	4 + 5C JOINED
6A	YL	18	10	MULEX	Receptical .250	
8C	OR	18	14	Receptical .250	MOLEX	
9A	BR	18	10	Receptical .250	MOLEX	
12A	BK	18	10	Receptical .250	MOLEX	
15C	WH/PL	18	14	MULEX	PIGGY BACK	
16A	WH	18	10	Receptical .250	MOLEX	
26A	GR	18	14	#8 RING	Receptical .250	
GEAR BOX						
3B	BL	18	14	Receptical .250	MOLEX	
6B	YL	18	14	Receptical .250	MOLEX	
9B	BR	18	14	MOLEX	INS. FORK #8	
10	BR	18	10	Receptical .250	Receptical .250	
12B	BK	18	14	MOLEX	PIGGY BACK	
16B	WH	18	17	MOLEX	BARE	
17	GR	18	23	#8 RING	#8 RING	
26B	GR	18	14	Receptical .250 Male	#8 RING	26B + 17 JOINED
27	WH	18	14	BARE	Receptical .250	
28	BK	18	26	Receptical .250	Receptical .250	
COMPONENT PLATE						
1D	RD	18	54	MOLEX	Receptical .250	
5D	PL	18	62	MOLEX	#8 RING	
8D	OR	18	65	MOLEX	INS. FORK #8	8 + 24 JOINED
7	YL	18	71	PIGGY BACK	INS. FORK #8	7 + 22 JOINED
11	PL	18	68	#8 RING	INS. FORK #8	
13	BK	18	77	INS. FORK #8	Receptical .250	
14	GR	18	54	#8 RING	#8 RING	
15D	WH/PL	18	57	MULEX	Receptical .250	
18	BR	18	20	Receptical .250	Receptical .250	
19	WH	18	20	Receptical .250	Receptical .250	
20	BL	18	20	Receptical .250	Receptical .250	
21	GR	18	18.5+18.5	#10 RING + 1/4 RING	Receptical .250	
22	YL	18	10	INS. FORK #8	Receptical .250	22 + 7 JOINED
23	OR	18	10.5	Receptical .250	Receptical .250	
24	OR	18	10	Receptical .250	INS. FORK #8	24 + 8 JOINED
25	BK	18	10	Receptical .250	INS. FORK #8	
	YL	18	40	-	-	PULL WIRE
OTHER						
IGNITOR WIRE		13		Receptical .250	BOOT AND PLUG	SGL-250 25KVDC 250f
LIQUID CONDUIT	1/2" ID	24		STREIGHT	90 DRGREE	

Molex. #39-01-3083  
and #39-01-2080

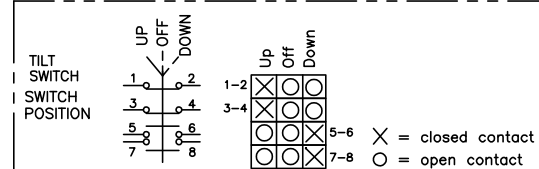
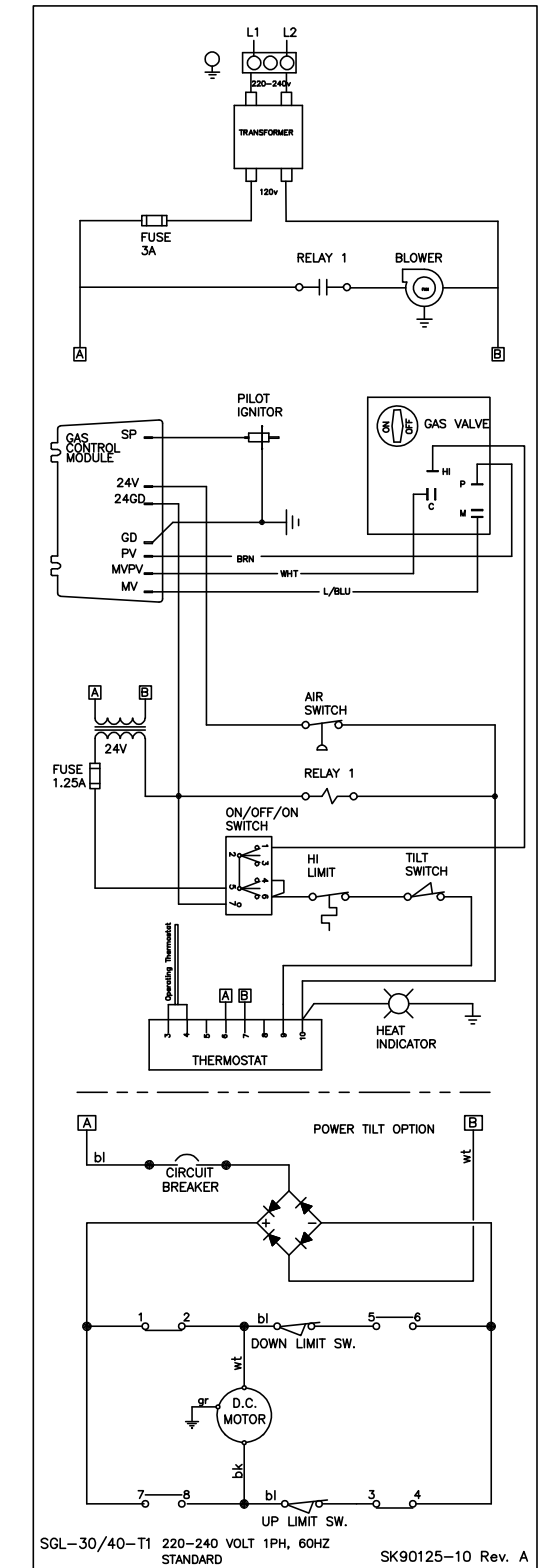
**WARNING**

LABELS ARE PRODUCED IN HOUSE WITH THE THERMO PRINTER. ARTWORK MUST BE UPDATED IN PRINTER DATABASE.

**MATERIAL SPECIFICATIONS**

STOCK- 4" WHITE TRANSTHERM PERM LABEL STOCK  
VENDOR- WEBER #50629690  
500 FOOT ROLL

RIBBON- 4" TRANSTHERM PERM BLACK RIBBON  
VENDOR- WEBER #609911  
1509 FOOT ROLL

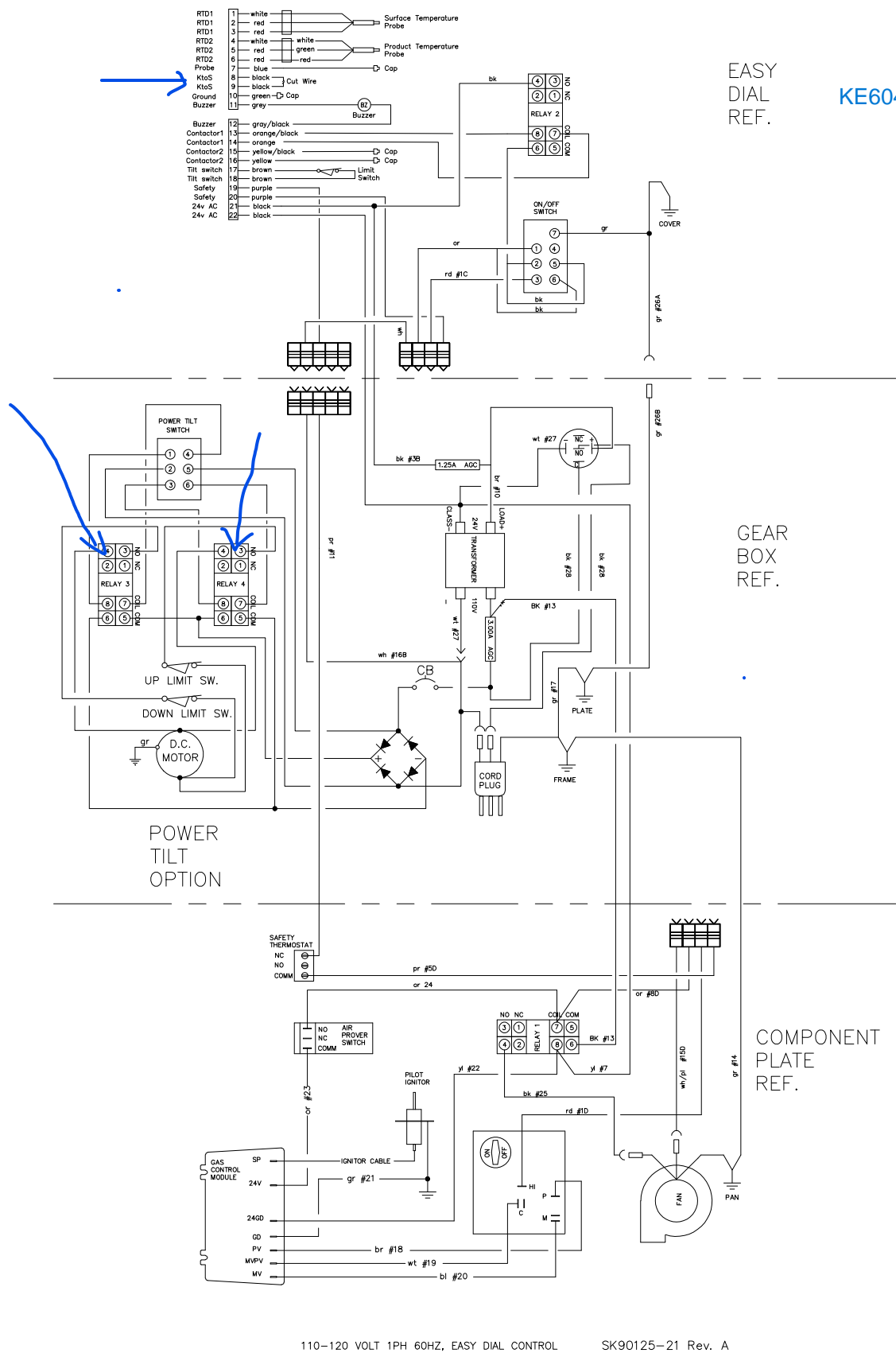


220-240 VOLT, 1PH 60 HZ  
NO APPROVALS

<small>THIS DESIGN COVERS A PROPRIETARY ITEM AND IS THE PROPERTY OF CLEVELAND RANGE LTD. THE DRAWING IS NOT TO BE COPIED OR USED WITHOUT THE APPROVAL OF CLEVELAND RANGE LTD.</small>		<small>FOR GENERAL TOLERANCES REFER TO PHAS-8251 KEELE STREET, CONCORD, ONTARIO, CANADA</small>		<b>CLEVELAND RANGE LTD.</b>		<b>TITLE</b> WIRING DIAGRAM SGL-T1	
<b>MATERIAL TYPE &amp; GRADE</b> FORM SIZE FINISH	<b>DO NOT SCALE PRINTED DRAWING</b>	<b>DRAWN BY</b> KBursey	<b>DATE</b> 2/27/2007	<b>SIZE</b> D	<b>DRAWING NO.</b> SK90125	<b>SHEET 3 OF 5</b>	<b>REV</b> J

#	DESCRIPTION	DATE	APPROVED
J	CREATED SK90125-21 & -22	04/02/2019	KHUANG

KE50753-10, RELAY 10A120VAC T1 DIGITAL EXTRA RELAY



110-120 VOLT 1PH 60HZ, EASY DIAL CONTROL SK90125-21 Rev. A

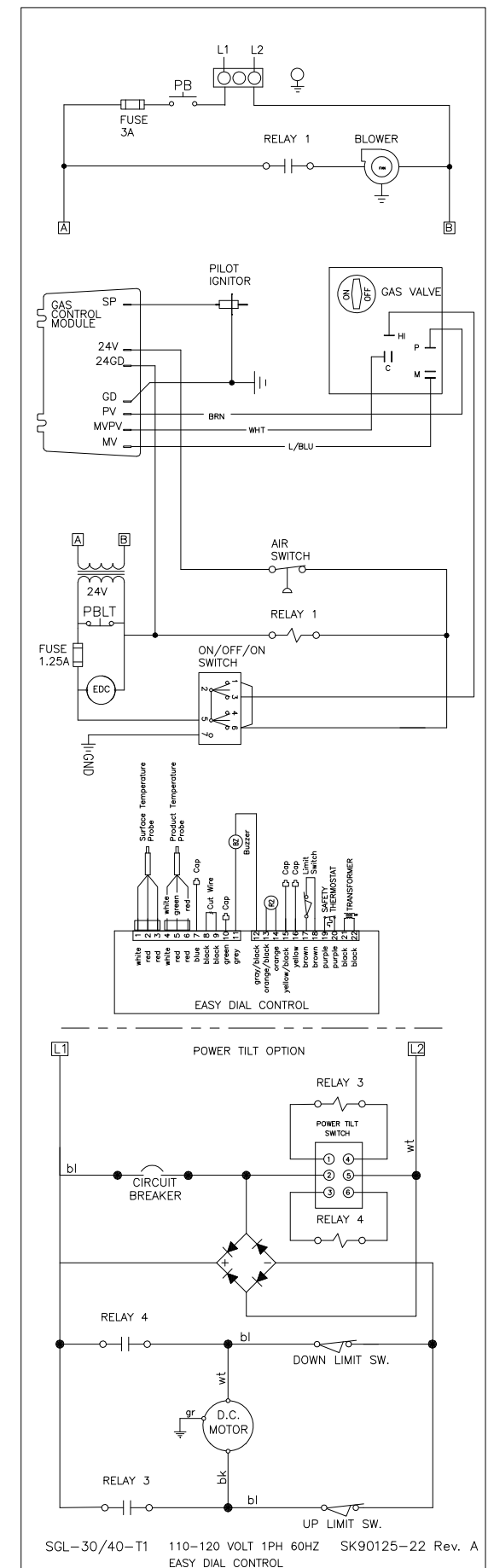
KE604112 digital ctrl

**WARNING**  
 LABELS ARE PRODUCED IN HOUSE WITH THE THERMO PRINTER. ARTWOR MUST BE UPDATED IN PRINTER DATABASE.

**MATERIAL SPECIFICATIONS**  
 STOCK- 4" WHITE TRANSFORM PERM LABEL STOCK  
 VENDOR- WEBER #50629690  
 500 FOOT ROLL

RIBBON- 4" TRANSFORM PERM BLACK RIBBON  
 VENDOR- WEBER #609911  
 1509 FOOT ROLL

110-120 VOLT, 1PH 60 HZ  
 UL CSA APPROVED,  
 EASY DIAL CONTROL

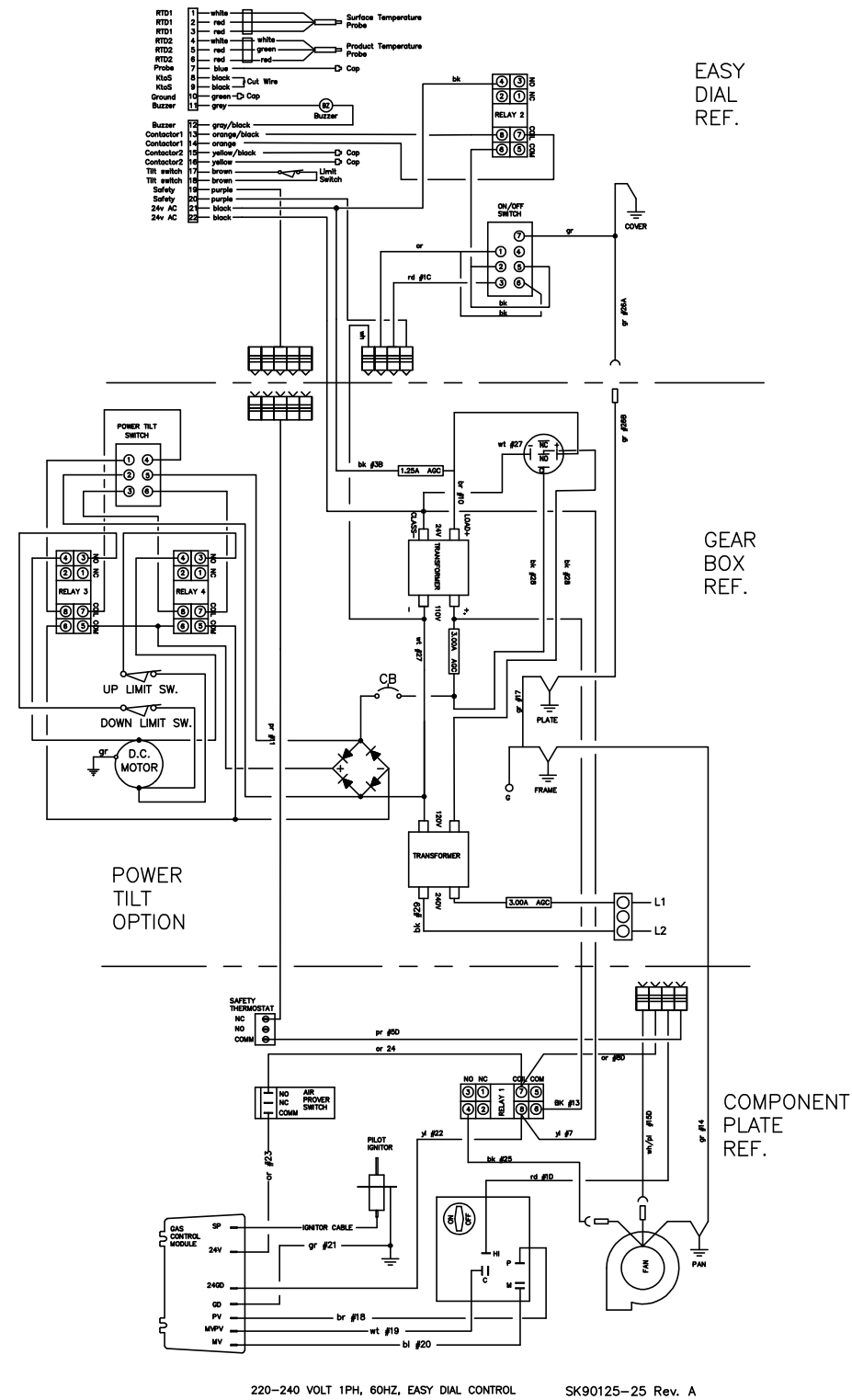


SGL-30/40-T1 110-120 VOLT 1PH 60HZ SK90125-22 Rev. A  
 EASY DIAL CONTROL

<small>THIS DESIGN IS A PROPRIETARY ITEM AND IS THE PROPERTY OF CLEVELAND RANGE LTD. THIS DRAWING IS NOT TO BE COPIED OR USED WITHOUT THE APPROVAL OF CLEVELAND RANGE LTD.</small> <b>MATERIAL TYPE &amp; GRADE FORM SIZE FINISH</b>	<small>FOR GENERAL TOLERANCES REFER TO DIMS</small> <b>CLEVELAND RANGE LTD.</b> 8251 KEELE STREET, CONCORD, ONTARIO, CANADA	<b>TITLE</b> <b>WIRING DIAGRAM</b> <b>SGL-T1</b>	
		<small>DO NOT SCALE PRINTED DRAWING</small> <b>DRAWN BY</b> KBursey	<small>DATE</small> 2/27/2007

#	DESCRIPTION	DATE	APPROVED
J	CREATED SK90125-25 & -26	04/02/2019	KHUANG

KE50753-10, RELAY 10A120VAC T! DIGITAL EXTRA RELAY



220-240 VOLT 1PH, 60HZ, EASY DIAL CONTROL SK90125-25 Rev. A

220-240 VOLT, 1PH 60 HZ  
NO APPROVALS,  
EASY DIAL CONTROL

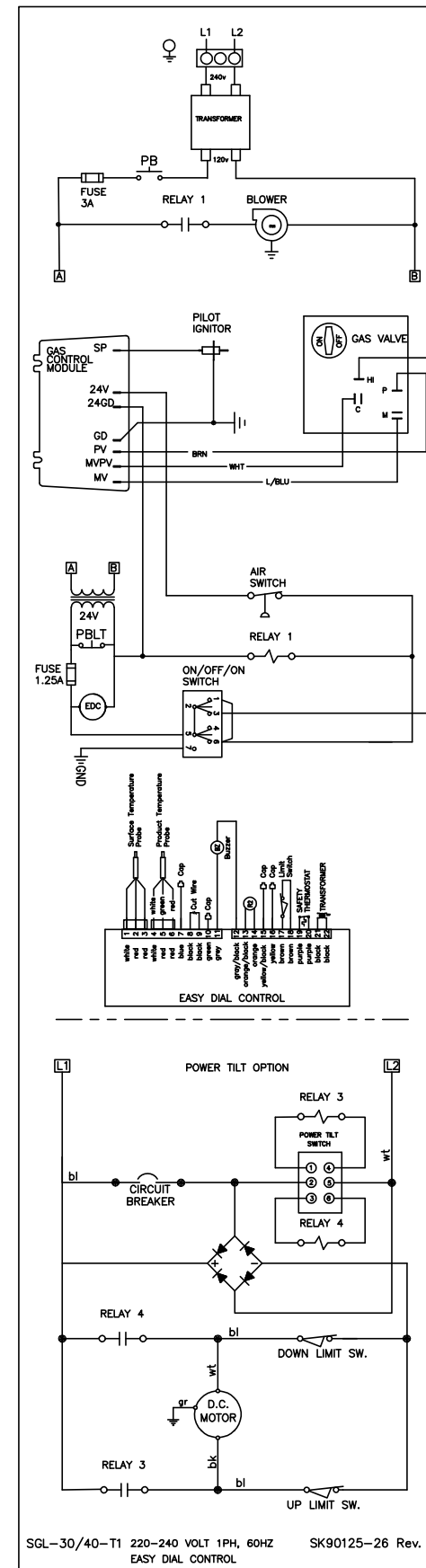
**WARNING**

LABELS ARE PRODUCED IN HOUSE WITH THE THERMO PRINTER. ARTWORK MUST BE UPDATED IN PRINTER DATABASE.

**MATERIAL SPECIFICATIONS**

STOCK- 4" WHITE TRANSTHERM PERM LABEL STOCK  
VENDOR- WEBER #50629690  
500 FOOT ROLL

REBBIION- 4" TRANSTHERM PERM BLACK RIBBON  
VENDOR- WEBER #609911  
1509 FOOT ROLL



SGL-30/40-T1 220-240 VOLT 1PH, 60HZ SK90125-26 Rev. A  
EASY DIAL CONTROL

THIS DRAWING IS A PROPRIETARY ITEM AND IS THE PROPERTY OF CLEVELAND RANGE LTD. THE DRAWING IS NOT TO BE COPIED OR USED WITHOUT THE APPROVAL OF CLEVELAND RANGE LTD.		FOR GENERAL TOLERANCES REFER TO PHAS.		CLEVELAND RANGE LTD. 8251 KEELE STREET, CONCORD, ONTARIO, CANADA		TITLE WIRING DIAGRAM SGL-T1	
MATERIAL TYPE & GRADE	FORM	SIZE	FINISH	DO NOT SCALE PRINTED DRAWING	DRAWN BY KBursey	DATE 2/27/2007	SIZE D
				DRAWING NO. SK90125		SHEET 6 OF 6 REV J	