



EQUIPMENT STANDS

ITEM NUMBER _____

JOB NAME / NUMBER _____

*28" OPEN TYPE STAND
REMOVABLE DRAIN DRAWER with SPLASH SHIELD
ALL STAINLESS STEEL*

Cleveland Standard Features

- All Stainless Steel construction with 1 1/4" square tubing
- Adjustable Feet (rear feet are flanged for Floor Bolting)
- Removable combination Drain Drawer (with Splash Shield) and Pan Support
- Ideal for mounting table type kettles, mixer kettles and skillets (models KET-3-T, KET-6-T, KET-12-T, KDT-3-T*, KDT-6-T*, KDT-12-T*, KDT-20-T*, MKET-12-T, MKDT-12-T, SET-15, SET-10).

*Requires Direct Steam Adaptor Top accessory

Options & Accessories

- Direct Steam Adaptor Top (AK)

MODEL: ST-28



Short Form Specifications

Shall be CLEVELAND, Open Type Equipment Stand with removable Drain Drawer, Splash Shield and Adaptor Top (optional), Model ST-28. All Stainless Steel construction with 1 1/4" square tubing. Furnished with Level Adjustable Feet (rear feet are flanged for Floor Bolting).

*28" OPEN TYPE ECONOMY STAND
ALL STAINLESS STEEL*

Cleveland Standard Features

- All Stainless Steel construction with 1 1/4" square tubing
- Adjustable Feet (rear feet are flanged for Floor Bolting)
- Ideal for mounting table type kettles, mixer kettles and skillets (models KET-3-T, KET-6-T, KET-12-T, KDT-3-T*, KDT-6-T*, KDT-12-T*, KDT-20-T*, MKET-12-T, MKDT-12-T, SET-15, SET-10).

*Requires Direct Steam Adaptor Top accessory

Options & Accessories

- Direct Steam Adaptor Top (AK)

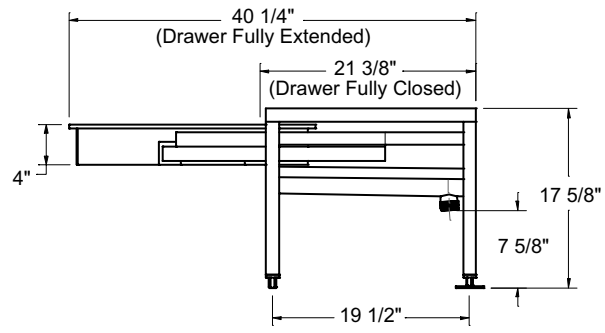
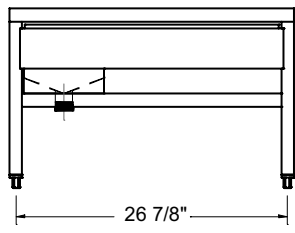
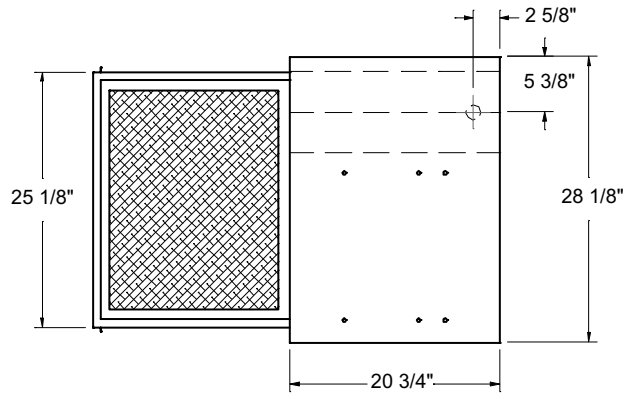
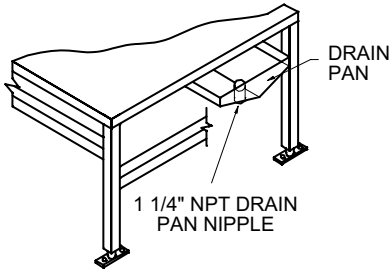
MODEL: EST-28



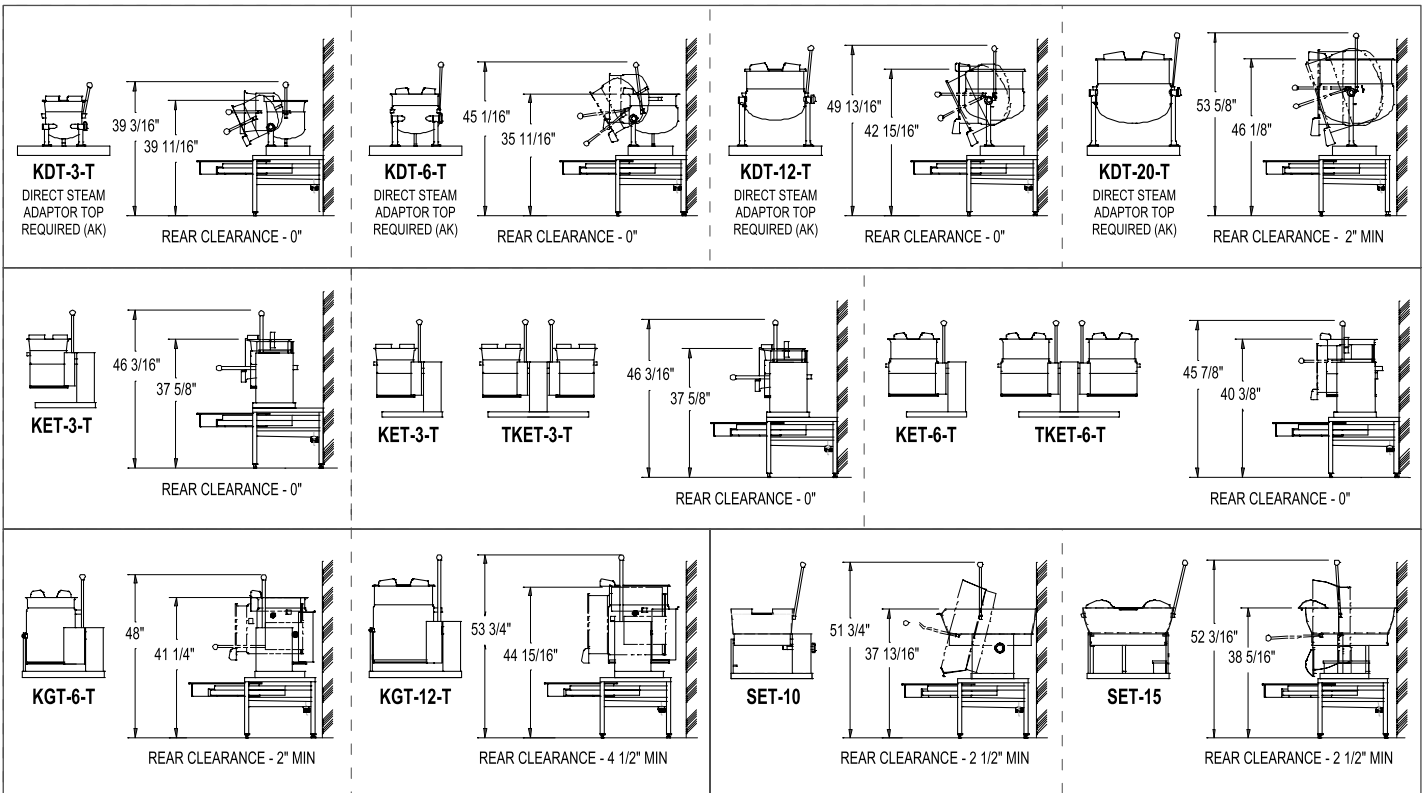
Short Form Specifications

Shall be CLEVELAND, Open Type Equipment Stand with Adaptor Top (optional), Model EST-28. All Stainless Steel construction with 1 1/4" square tubing. Furnished with Level Adjustable Feet (rear feet are flanged for Floor Bolting).

REAR VIEW / DRAIN PAN DETAIL



MOUNTING OPTIONS (SELECT ANY ONE UNITS PER STAND)



NOTES:

Cleveland Range reserves right of design improvement or modification, as warranted.
 Many regional, state and local codes exist and it is the responsibility of the owner and installer to comply with the codes.
 Installations of Back Flow Preventers, Vacuum Breakers and other specific code requirements are the responsibility of the Owner and Installer.
 Cleveland Range equipment is built to comply with applicable standards for manufacturers. Included among those approval agencies are U.L., NSF, CGA, CSA, ETL and others.

Splash Guard Pins
KE54899-2

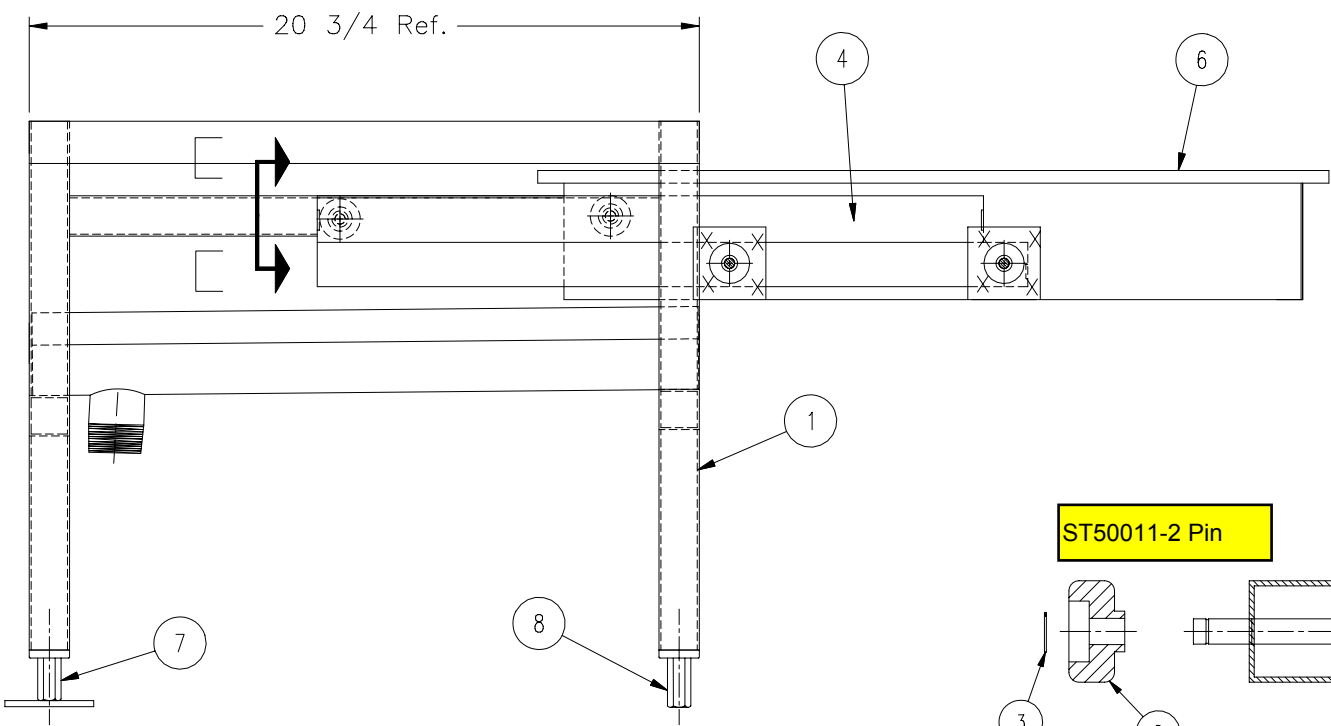
Splash Guard SG-28



ST-28



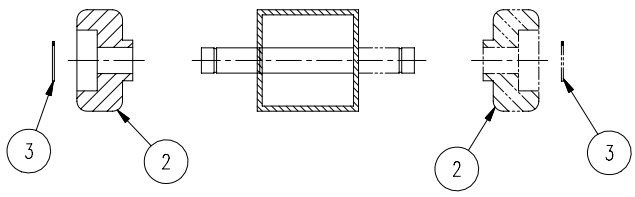
ST-42 & ST-55



sectional view of stand

-	ST-55	STAND ASSEMBLY			▼
-	ST-42	STAND ASSEMBLY			▼
-	ST-28	STAND ASSEMBLY		▼	
ITEM	PART_#	DESCRIPTION	QTY	QTY	QTY
1	ST00001-1	STAND WELDMENT	1	-	-
	ST00001-2	STAND WELDMENT	-	1	-
	ST00001-3	STAND WELDMENT	-	-	1
2	ST50010	WHEEL; SLIDE	4	8	8
3	FA95007-2	RETAINING RING	4	8	8
4	ST50008-1	SLIDE; LHS	1	2	2
5	ST50008-2	SLIDE; RHS	1	2	2
6	ST00003-1	PAN; WELDMENT/ASSEMBLY	1	-	2
	ST00003-2	PAN; WELDMENT/ASSEMBLY	-	2	-
7	STD00002	REAR FOOT ASSEMBLY	2	3	3
8	STD50026	ADJUSTABLE FOOT	2	3	3
9	SE95026	EQUIP. CARE/CLEANING INST.	1	1	1
10	KE02080-1	SPLASH SCREEN	1	-	2
	KE02080-2	SPLASH SCREEN	-	2	-

ST50011-2 Pin



SECTION 'C-C'

