

## SWING DRAIN FUNNELS

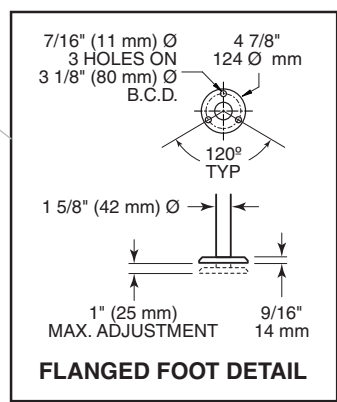
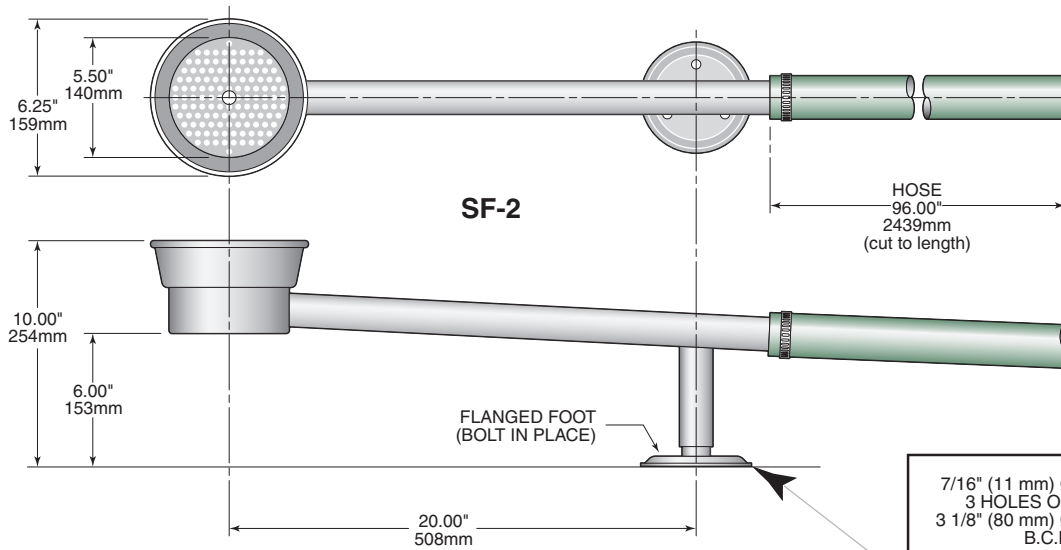
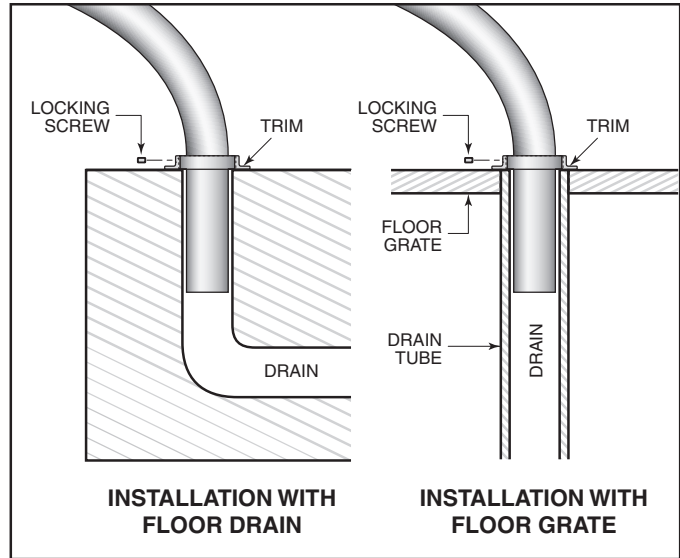
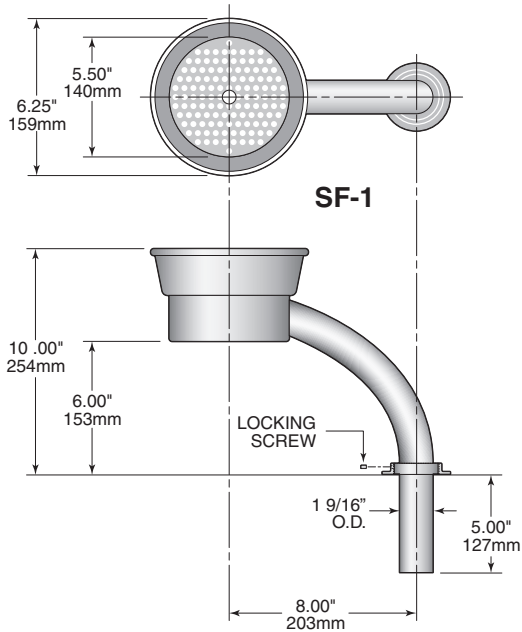
### Models

- SF1
- SF2



### Standard Features

- For floor model stationary or tilting kettles with a Tangent Draw-Off Valve.
- All Stainless Steel construction
- SF1 For Floor Mounting
- SF2 for Drain Mounting -
  - comes complete with 8' length of 2" ID Hose (HO8.2) to be cut to required length
- Includes Drain Screen



**NOTES:**  
 Cleveland Range reserves right of design improvement or modification, as warranted.  
 Many regional, state and local codes exist and it is the responsibility of the owner and installer to comply with the codes.  
 Installation of backflow preventers, vacuum breakers and other specific code requirements is the responsibility of the owner and installer.  
 Cleveland Range equipment is built to comply with applicable standards for manufacturers. Included among those approval agencies are U.L., A.G.A., NSF, ASME/N.Bd., CSA, CGA, ETL and others. (NOT TO SCALE)