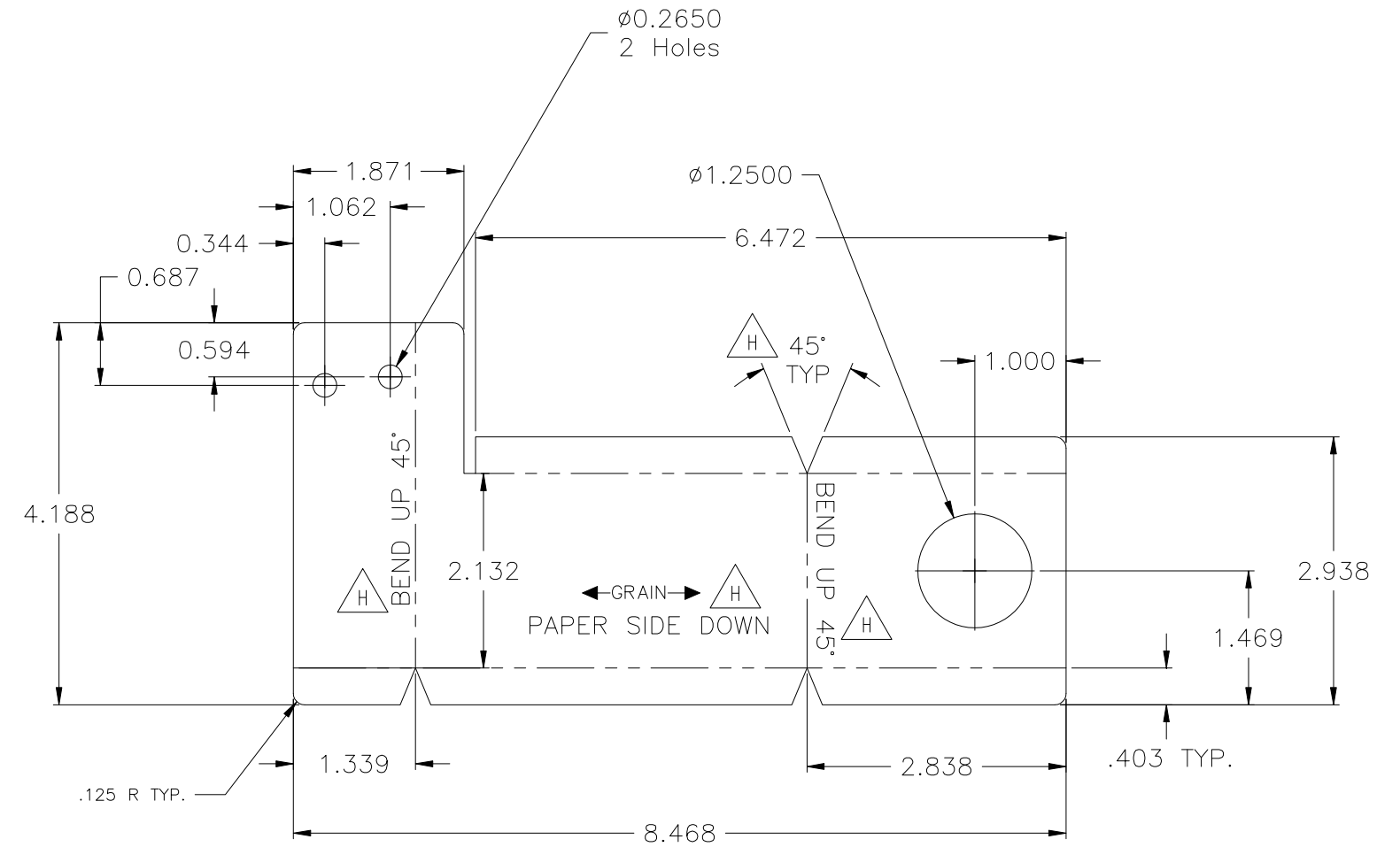
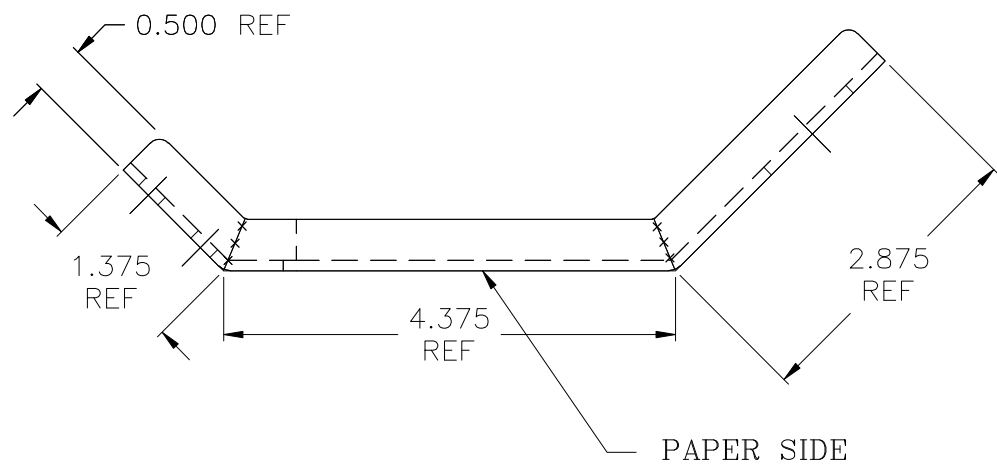
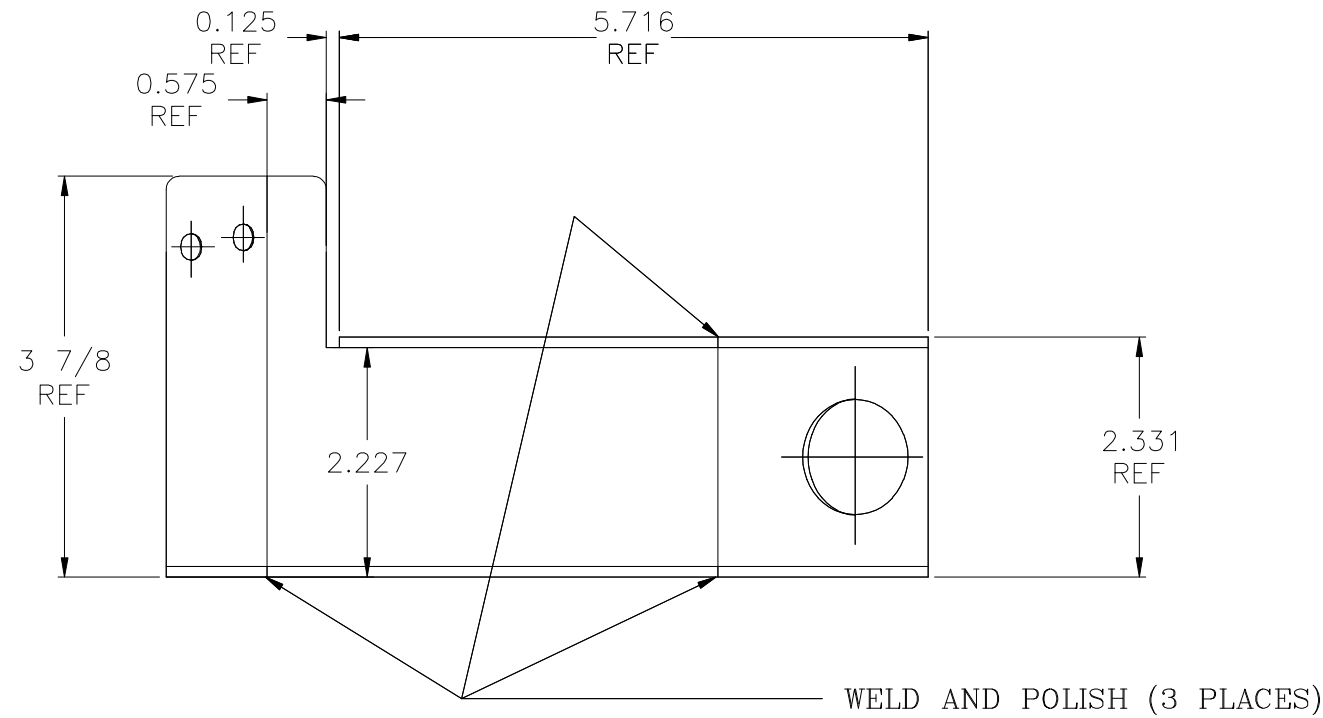


#	DESCRIPTION	DATE	APPROVED
H	ADDED BEND UP INFO, TYP. FOR THE ANGLE AND PAPER SIDE DOWN	07/21/2015	LUCIAN



DEBURR ALL SHARP EDGES

THIS DESIGN COVERS A PROPRIETARY ITEM AND IS THE PROPERTY OF CLEVELAND RANGE LTD.
THIS DRAWING IS NOT TO BE COPIED OR USED WITHOUT THE APPROVAL OF CLEVELAND RANGE LTD.

FOR GENERAL TOLERANCES REFER TO PWI-043

CLEVELAND RANGE LTD.
8251 KEELE STREET, CONCORD, ONTARIO, CANADA

TITLE

FAUCET BRACKET
SET-15

MATERIAL S.S.
TYPE & GRADE 304
FORM SHEET
SIZE 12 Ga.
FINISH #4

DO NOT SCALE
PRINTED DRAWING

DRAWN BY

DATE 9/29/2006

SIZE
B

DRAWING NO.

SK2302200.DWG

SHEET 1 OF 1

REV
H