

Installation Instructions

for

24" BOILER BASE
WATER INLET CONVERSION KIT
PART No. FK109205REV B-E 24

*looks very good.
Frank Murray
12 Sept 02*

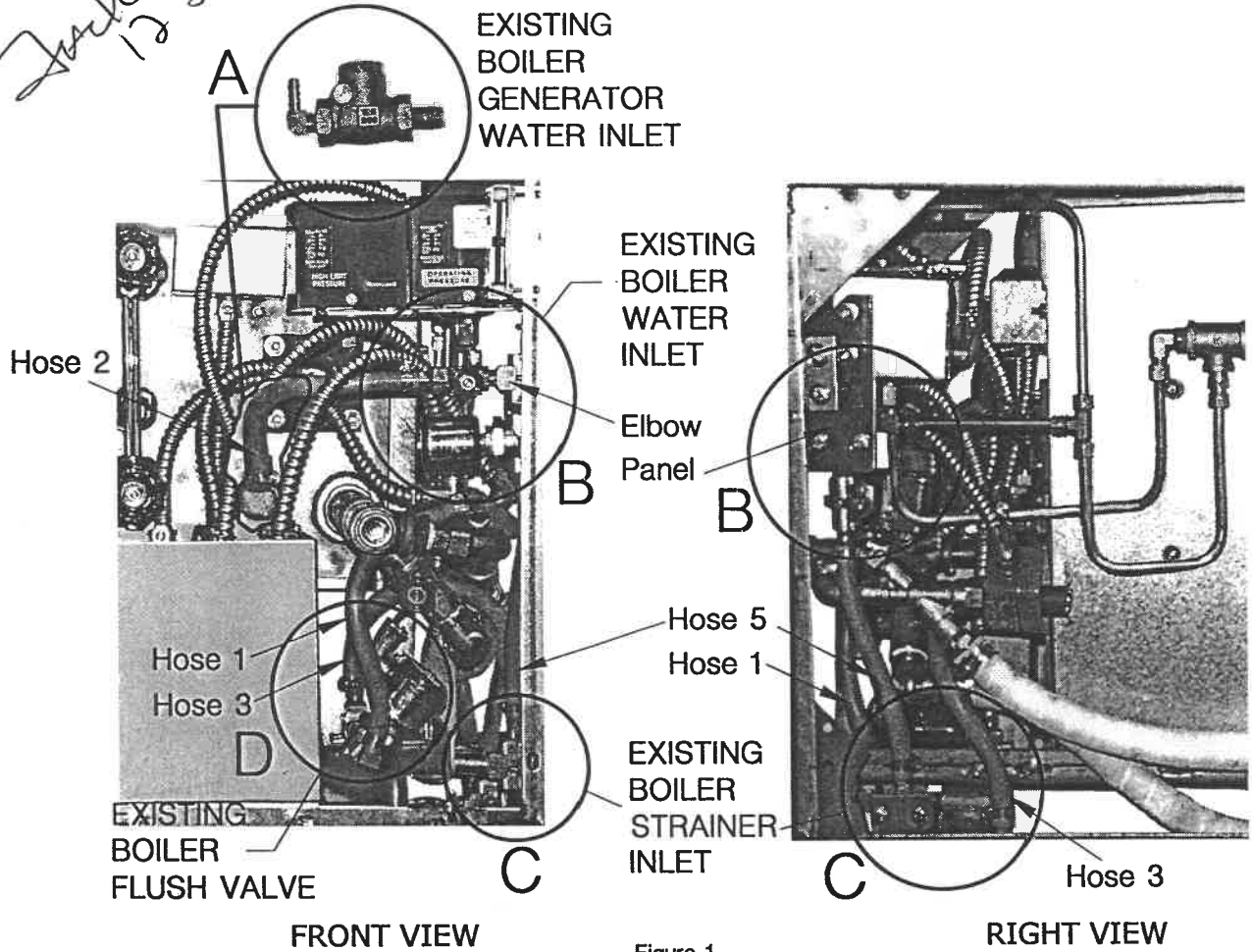


Figure 1

THIS KIT CONVERTS BOILERS WITH THE WATER INLET POSITIONED AS SHOWN IN FIGURE 1 TO AN INLET CONNECTED TO THE DRAIN VALVE AS SHOWN IN FIGURE 3.

1333 East 179th Street
Cleveland, Ohio 44110

Phone: (216) 481-4900
Fax: (216) 481-3782

 **Cleveland**

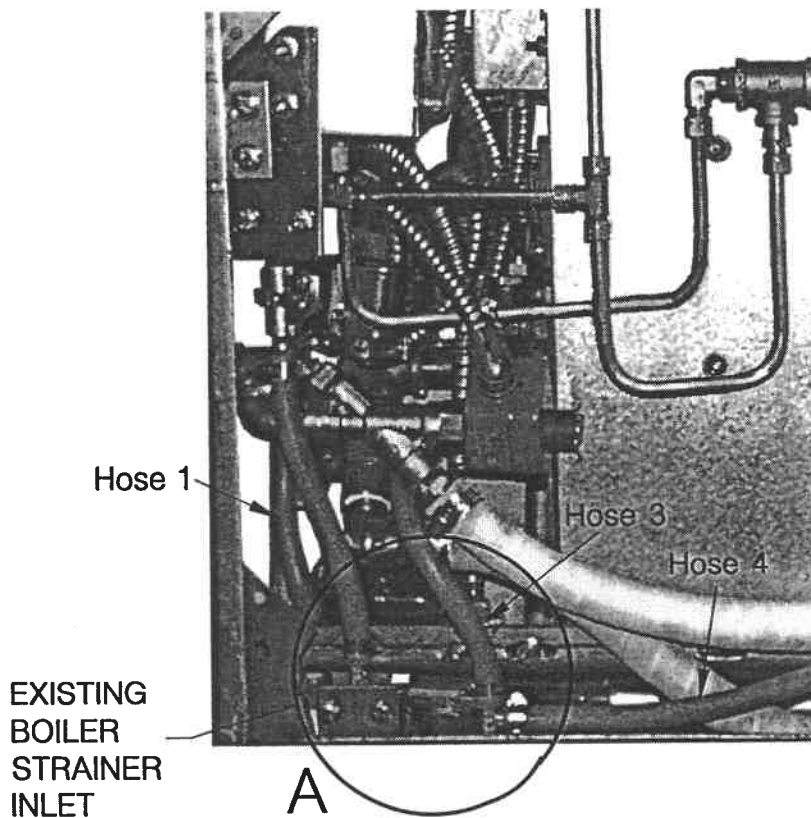
Part No.110871

8/28

Installation Instructions

for

24" BOILER BASE
WATER INLET CONVERSION KIT
PART No. FK109205REV B-E 24



Hose 1

Hose 3

Hose 4

EXISTING
BOILER
STRAINER
INLET

A

RIGHT VIEW

Figure 1a

INSTALLATION INSTRUCTION
for
24" BOILER BASE
WATER INLET CONVERSION KIT
PART No. FK109205REV B-E 24
EXISTING DRAIN PIPING ASSEMBLY

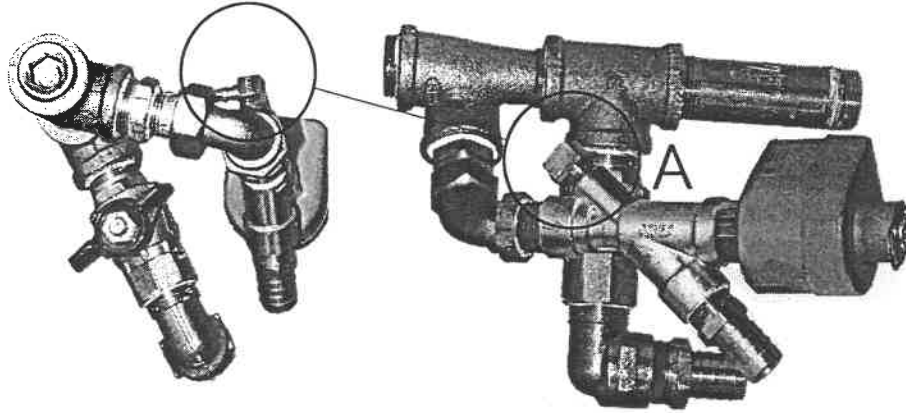


Figure 2

- 1) These instructions cover only the boiler water inlet conversion.
- 2) Make sure that the unit is shut off at the customers' circuit breakers and the new boiler has not been installed. Applied to Boiler 109205 on 06-12-01 WC73301-01F.
- 3) Remove the 1/4" hose 1 (Figure 1) from the fitting connection at the drain valve (circle A in Figure 2).
- 4) Remove the hose barb fitting from the drain valve (circled A in Figure 2).
- 5) Remove the 1/4 " hose 2 from the fitting connection at the generator water inlet (circle A in Figure 1) and at the water inlet (circle B in Figure 1).
- 6) Remove the existing generator water inlet (nipple, check valve, hose barb fitting) see circle A in Figure 1 and plug the open hole with the pipe plug supplied with the kit (circle C in Figure 4).
Clean the threads on the nipple for reassembly in a different order.

NOTE 1: Use of pipe sealant is required for all pipe thread connections.

- 7) Remove the fitting connection from the ball valve at the water inlet (circle B in Figure 1). Remove the ball valve and the valve solenoid with the 1/4 hose barb fitting from the water inlet. Clean the threads on the fitting connection, ball valve and valve solenoid with the 1/4 hose barb.
Remove the rest of the water inlet parts (mounting panel, elbow, nipple) (circle B in Figure 1) and do not use any more.

INSTALLATION INSTRUCTION

for
24" BOILER BASE
WATER INLET CONVERSION KIT
PART No. FK109205REV B-E 24

REBUILT DRAIN MANIFOLD ASSEMBLY

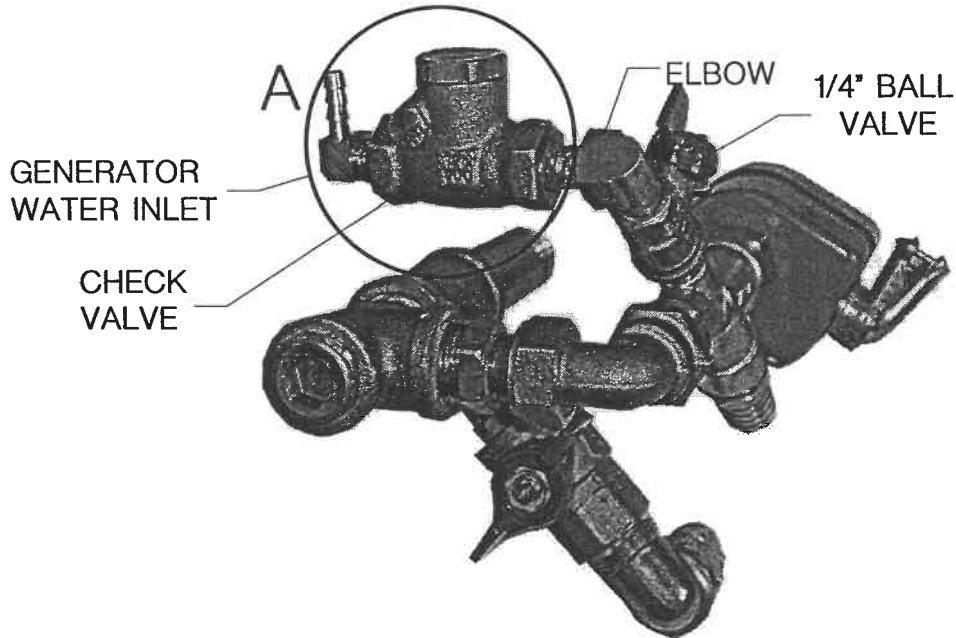


Figure 3

- 8) Remove the handle from the ball valve removed in step 7 and install the ball valve on the 1/4" port of the drain valve (Figure 3). Do not allow pipe sealant to clog the drain valve. Reinstall the valve handle.
- 9) Install the 1/4" elbow supplied with the kit on the ball valve installed in step 8 (Figure 3).
- 10) Install the generator water inlet (nipple, check valve, hose barbs fitting) removed in step 6 into the 1/4" elbow installed in step 9 (circle A in Figures 3). Important: The check valve must be installed in upright position as shown in Figure 3 in order to operate properly!
- 11) Remove the 1/4" hose 3 and filling connection at the strainer inlet (circle C in Figure 1) and plug the open hole with pipe plug supplied with the kit (circle B in Figure 4).
For the convection units: Remove the 1/4" hose 3, 1/4" condensate hose 4 and fitting connection tee at the strainer inlet (circle A in Figure 1a), install the 1/4"H x 1/4"NPT fitting supplied with the kit into the open hole instead of the fitting tee and reconnect the condensate hose 4 on the new installed fitting (circle A in Figure 4a).

INSTALLATION INSTRUCTION
for
24" BOILER BASE
WATER INLET CONVERSION KIT
PART No. FK109205REV B-E 24

REBUILT DRAIN MANIFOLD ASSEMBLY

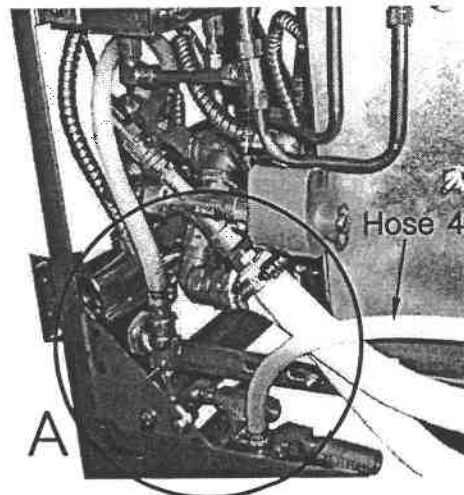
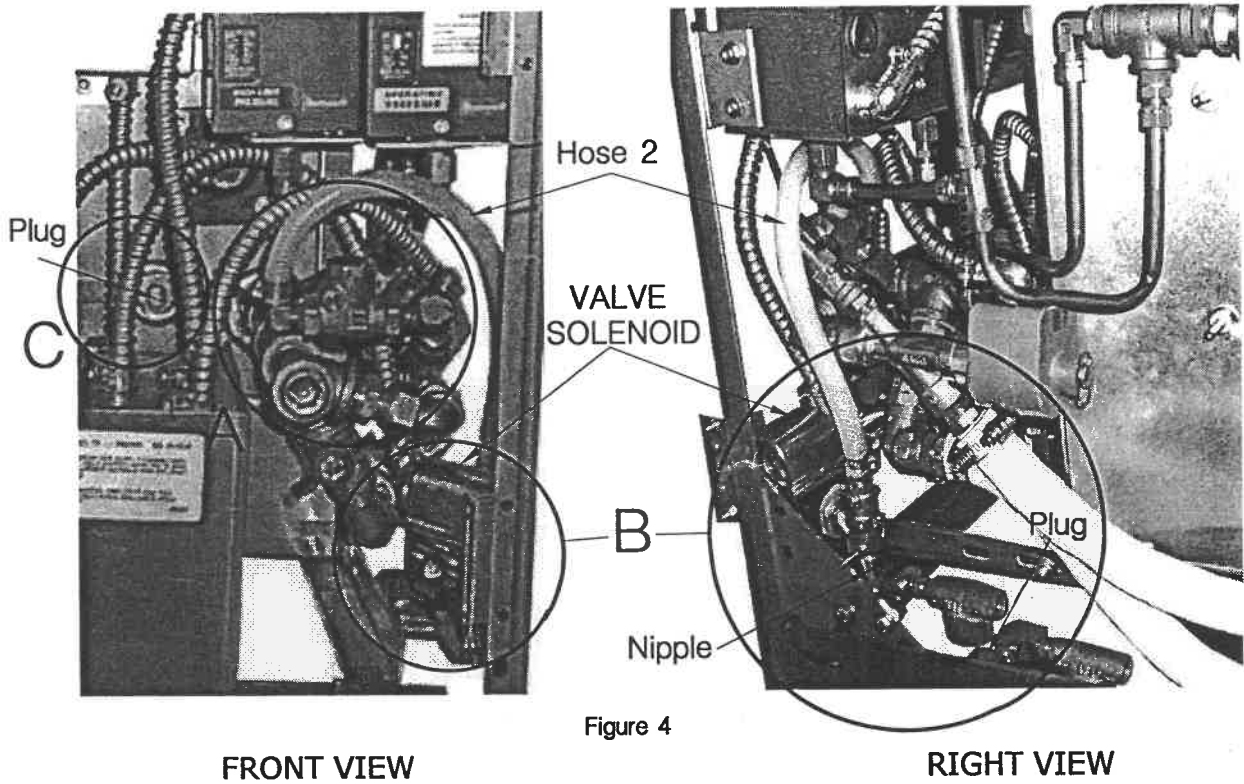
- 12) Remove the the 1/4 hose 5 with the fitting connection from the strainer inlet (circle C in Figure 1). Install the 1/4 nipple supplied with the kit into the open hole instead of fitting connection (circle B in Figure 4).
- 13) Install the valve solenoid with the fitting connection removed in step 7 on the nipple installed on the strain inlet in step 12 (circle B in Figure 4).
- 14) Remove the flush valve with the hoses 1, 3 & conduit with wiring inside the electric box (circle D in Figure 1) and do not use any more. Install the snap-in plug supplied with the kit in the hole on the electric control box where the conduit with wiring inside was removed.
- 15) Referring to Figure 4 circle A & B, connect the 1/4" water hose 2 removed in step 5 to the hose barb fitting on the generator water inlet installed in step 10 and to the fitting connection on the valve solenoid installed on the strainer inlet in step 13.
The hose has to be cut to allow fitting without kinking.
- 16) Tighten all hose clamps, do not over tighten.
Continue with the reassembly of the unit.

PARTS LIST

1) Elbow, 90 , 1/4", Brass	P/N 05235	Quantity 1
2) Plug, Snap In	P/N 19329	Quantity 1
3) Plug, Pipe, 1/4", Brass	P/N 16619	Quantity 1
4) Pluge, Pipe, 1/4, Steel	P/N 109412	Quantity 1
5) FTG 1/4"x1/4", Brass	P/N 104381	Quantity 1
5) Nipple, 1/4", Brass	P/N 14310	Quantity 1

INSTALLATION INSTRUCTION
for
24 " BOILER BASE
WATER INLET CONVERSION KIT
PART No. FK109205REV B-E 24

WATER LINE ASSEMBLY
(Refer to Step 15 for instructions)

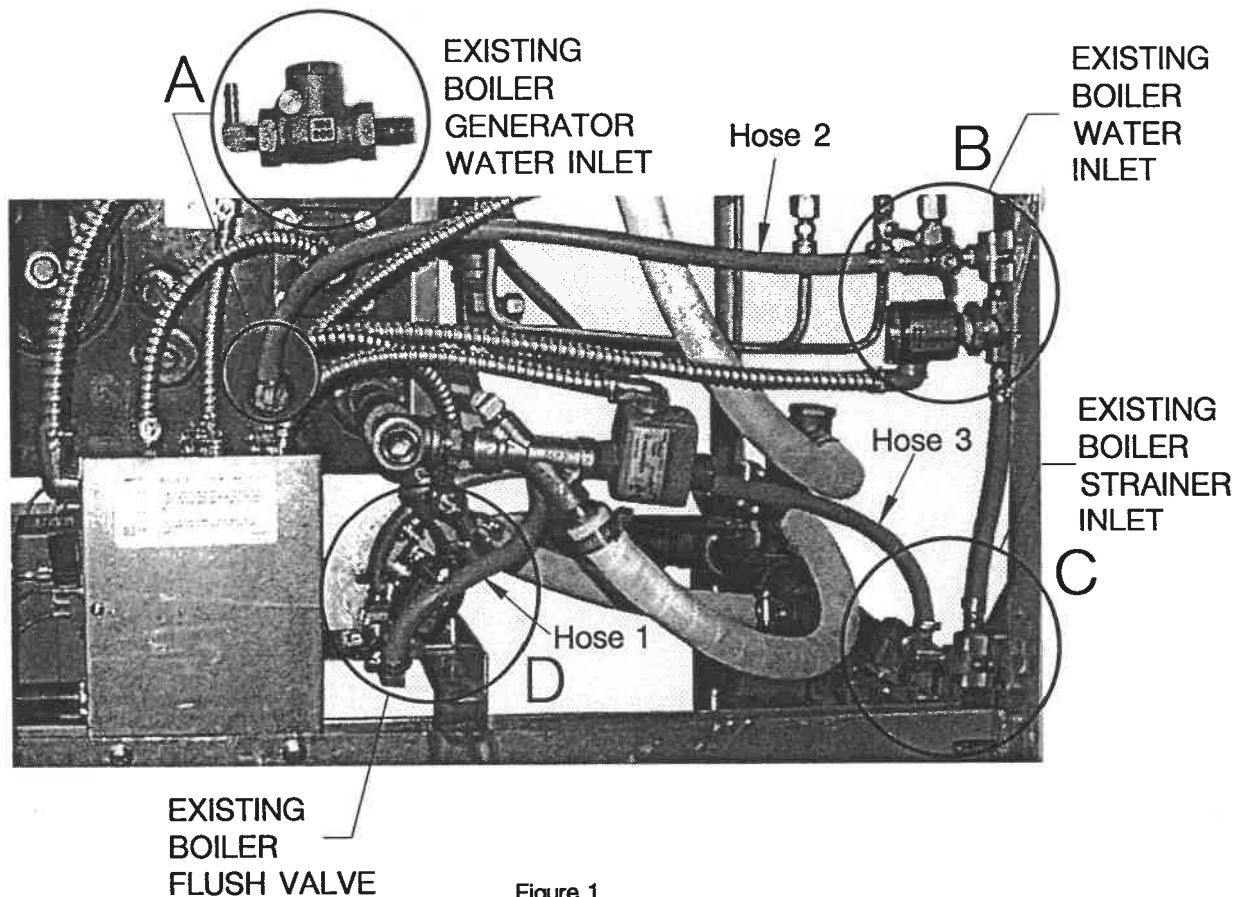


Installation Instructions

for

36" & 42" BOILER BASES
WATER INLET CONVERSION KIT

PART No. FK109196REV B-D & PART No. FK109205REV B-E 36 42



THIS KIT CONVERTS BOILERS WITH THE WATER INLET POSITIONED AS SHOWN IN FIGURE 1 TO AN INLET CONNECTED TO THE DRAIN VALVE AS SHOWN IN FIGURE 3.

1333 East 179th Street
Cleveland, Ohio 44110

Phone: (216) 481-4900
Fax: (216) 481-3782

 **Cleveland**

Part No.110819

7/02

Installation Instructions

for

36" & 42" BOILER BASES
WATER INLET CONVERSION KIT

PART No. FK109196REV B-D & PART No. FK109205REV B-E 36 42

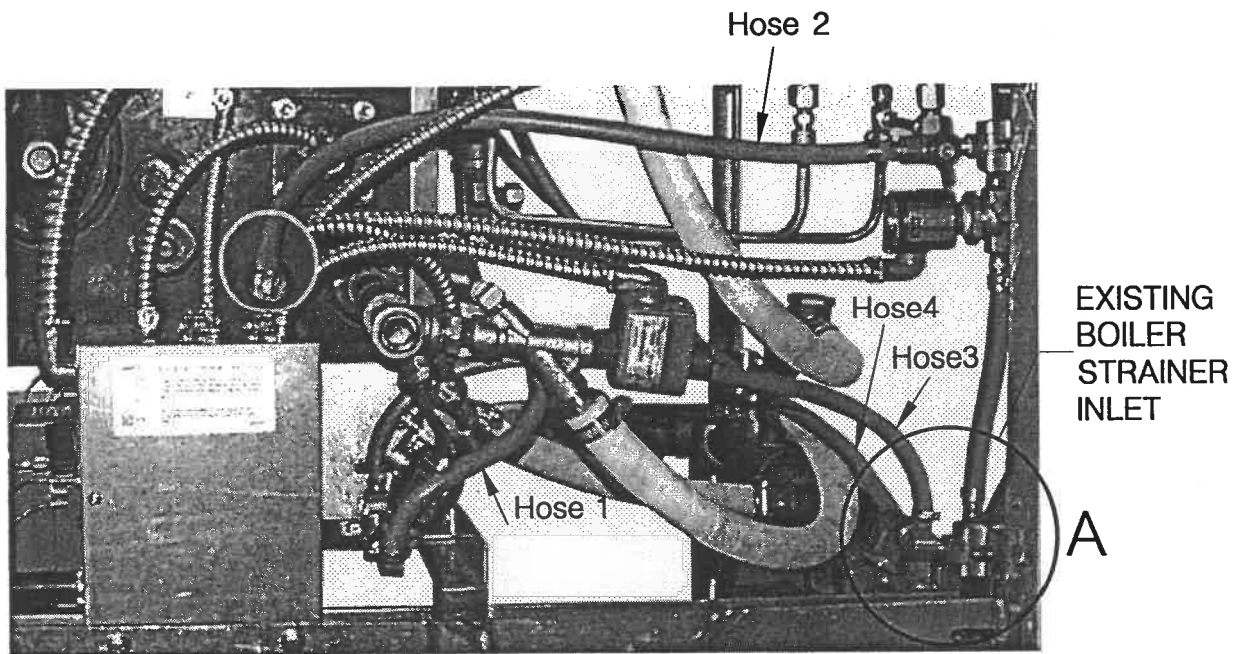


Figure 1a

INSTALLATION INSTRUCTION
for
36" & 42" BOILER BASES
WATER INLET CONVERSION KIT
PART No. FK109196REV B-D & FK109205REV B-E 36 42
EXISTING DRAIN PIPING ASSEMBLY

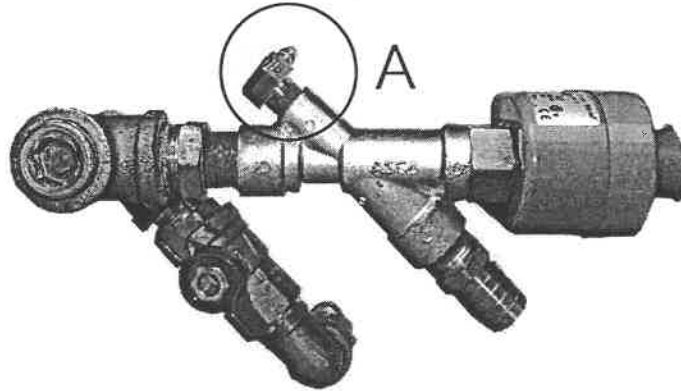


Figure 2

- 1) These instructions cover only the boiler water inlet conversion.
- 2) Make sure that the unit is shut off at the customers' circuit breakers and the new boiler has not been installed. Applied to Boiler 109196 on 10-15-01 WC74785 (36" Base), on 02-14-02 WC76136-02B (42" Base) and to Boiler 109205 on 06-12-01 WC73301-01F.
- 3) Remove the 1/4" hose 1 (Figure 1) from the fitting connection at the drain valve (circle A in Figure 2).
- 4) Remove the hose barb fitting from the drain valve (circled A in Figure 2).
- 5) Remove the 1/4 " hose 2 from the fitting connection at the generator water inlet (circle A in Figure 1) and at the water inlet (circle B in Figure 1).
- 6) Remove the existing generator water inlet (nipple, check valve, hose barb fitting) see circle A in Figure 1 and plug the open hole with the pipe plug supplied with the kit (circle D in Figure 4).
Clean the threads on the nipple for reassembly in a different order.

NOTE 1: Use of pipe sealant is required for all pipe thread connections.

- 7) Remove the fitting connection from the ball valve at the water inlet (circle B in Figure 1). Remove the ball valve from the water inlet and install the removed fitting connection into the water inlet instead of the ball valve (circle B in Figure 4). Clean the threads on the fitting connection before reinstallation into the water inlet and on the ball valve for reassembly in different order.

INSTALLATION INSTRUCTION
for
36" & 42" BOILER BASES
WATER INLET CONVERSION KIT
PART No. FK109196REV B-D & FK109205REV B-E 36 42

REBUILT DRAIN MANIFOLD ASSEMBLY

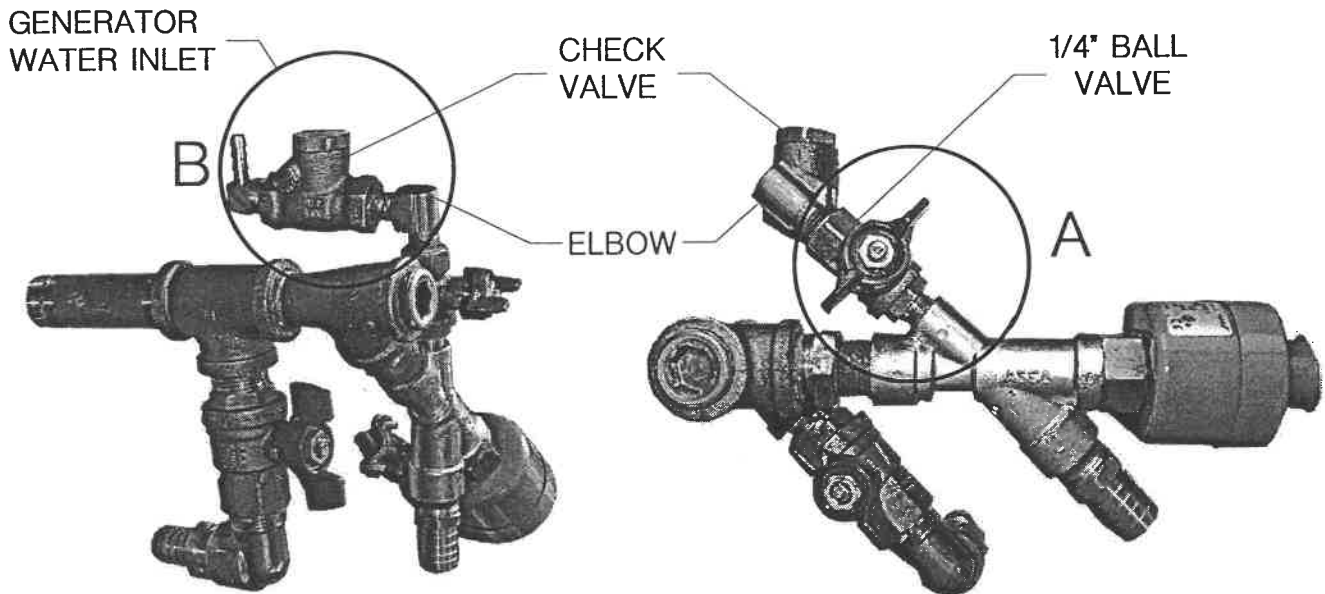


Figure 3

- 8) Remove the handle from the ball valve removed in step 7 and install the ball valve on the 1/4" port of the drain valve (circle A in Figure 3). Do not allow pipe sealant to clog the drain valve. Reinstall the valve handle.
- 9) Install the 1/4" elbow supplied with the kit on the ball valve installed in step 8 (circle A & B in Figure 3).
- 10) Install the generator water inlet (nipple, check valve, hose barbs fitting) removed in step 6 into the 1/4" elbow installed in step 9 (circle B in Figures 3). Important: The check valve must be installed in on upright position as shown in Figure 3 in order to operate properly!
- 11) Remove the 1/4" hose 3 and filling connection at the strainer inlet (circle C in Figure 1) and plug the open hole with pipe plug supplied with the kit (circle C in Figure 4).
For the convection units: Remove the 1/4" hose 3, 1/4" condensate hose 4 and fitting connection tee at the strainer inlet (circle A in Figure 1a), install the 1/4"H x 1/4"NPT fitting supplied with the kit into the open hole instead of the fitting tee and reconnect the condensate hose 4 on the new installed fitting (circle A in Figure 4a).

INSTALLATION INSTRUCTION

for

36' & 42' BOILER BASES
WATER INLET CONVERSION KIT
PART No. FK109196REV B-D & FK109205REV B-E 36 42

REBUILT DRAIN MANIFOLD ASSEMBLY

- 12) Remove the flush valve with the hoses 1, 3 & conduit with wiring inside the electric box (circle D in Figure 1) and do not use any more. Install the snap-in plug supplied with the kit in the hole on the electric control box where the conduit with wiring inside was removed.
- 13) Referring to Figure 4 circle A & B, connect the 1/4" water hose 2 removed in step 5 to the hose barb fitting on the generator water inlet installed in step 10 and to the fitting connection reinstalled in step 7. The hose has to be cut to allow fitting without kinking.
- 14) Tighten all hose clamps, do not over tighten.
- 15) Continue with the reassembly of the unit.

PARTS LIST

1) Elbow, 90 , 1/4", Brass	P/N 05235	Quantity 1
2) Plug, Snap In	P/N 19329	Quantity 1
3) Plug, Pipe, 1/4", Brass	P/N 16619	Quantity 1
4) Plug, Pipe, 1/4, Steel	P/N 109412	Quantity 1
5) FTG, 1/4"x1/4", Brass	P/N 104381	Quantity 1

INSTALLATION INSTRUCTION
for
36" & 42" BOILER BASES
WATER INLET CONVERSION KIT
PART No. FK109196REVB-D & FK109205REV B-E 36 42
WATER LINE ASSEMBLY
(Refer to Step 13 for instructions)

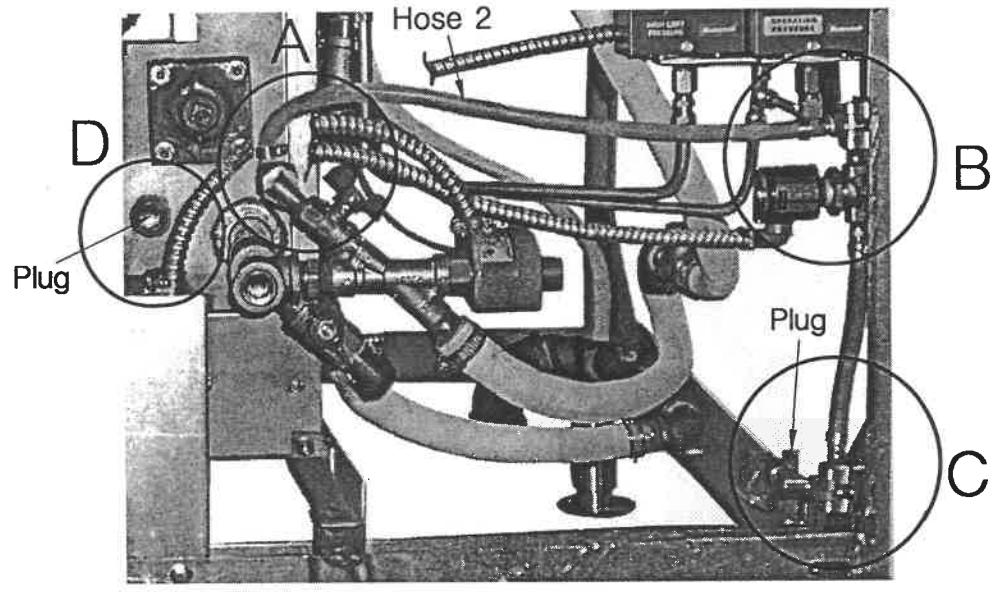


Figure 4

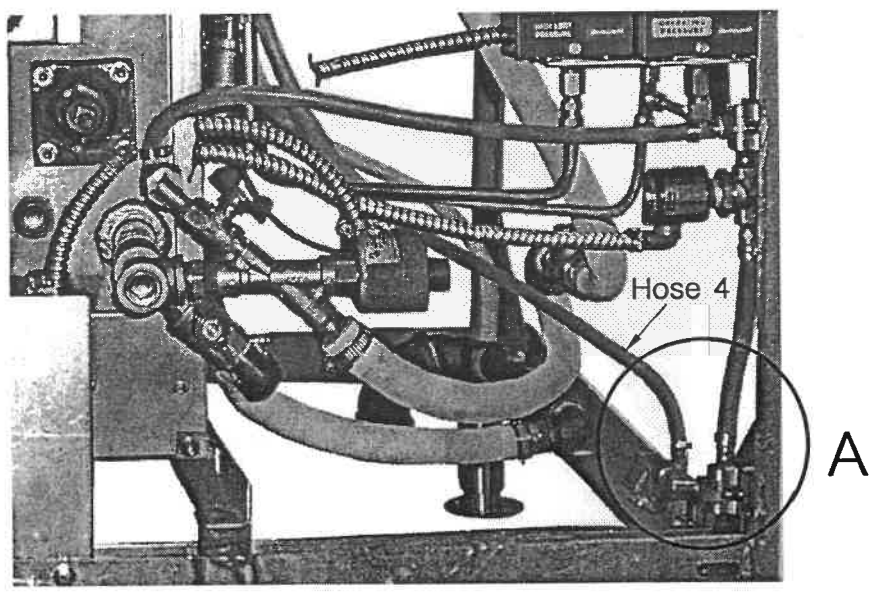


Figure 4a