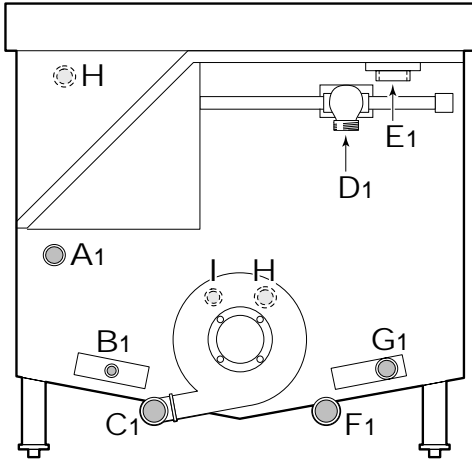


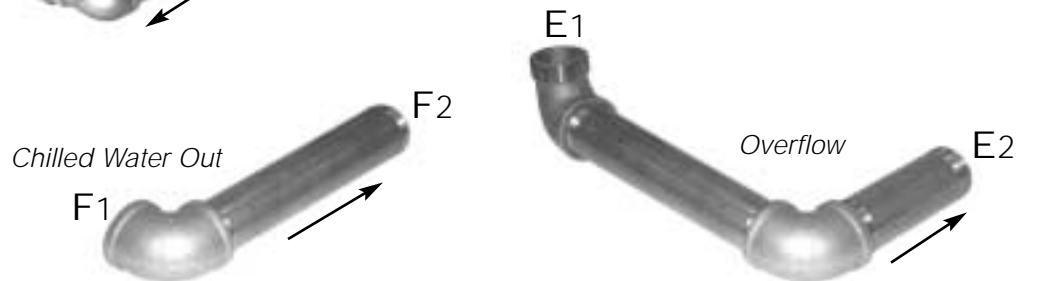
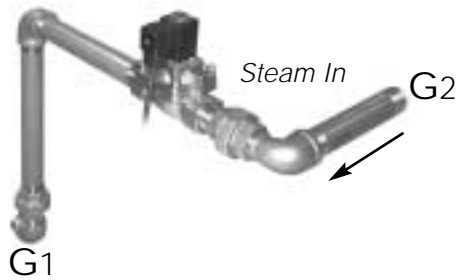
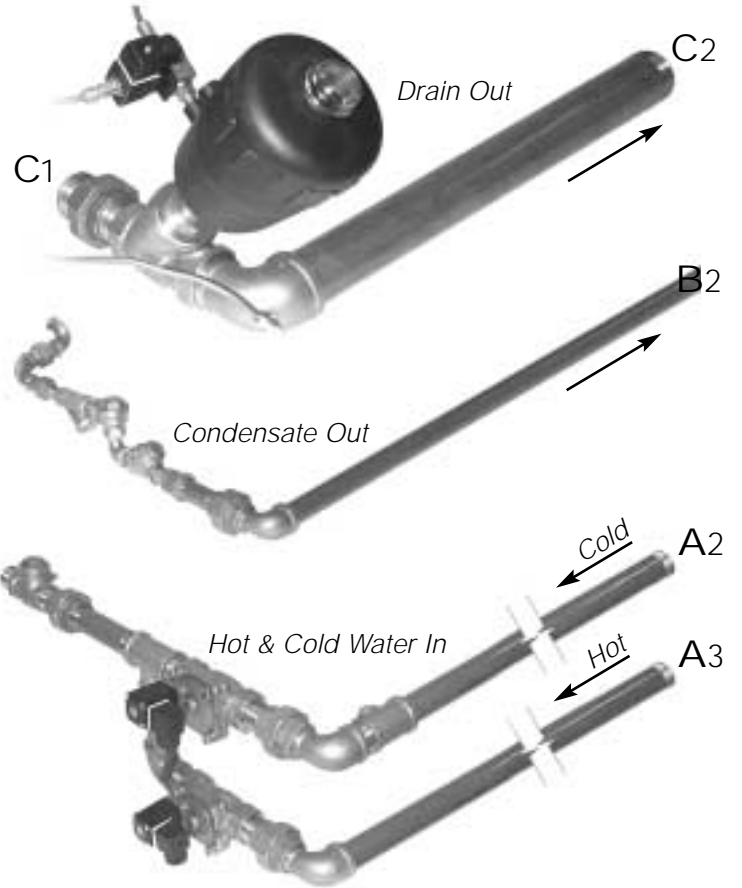
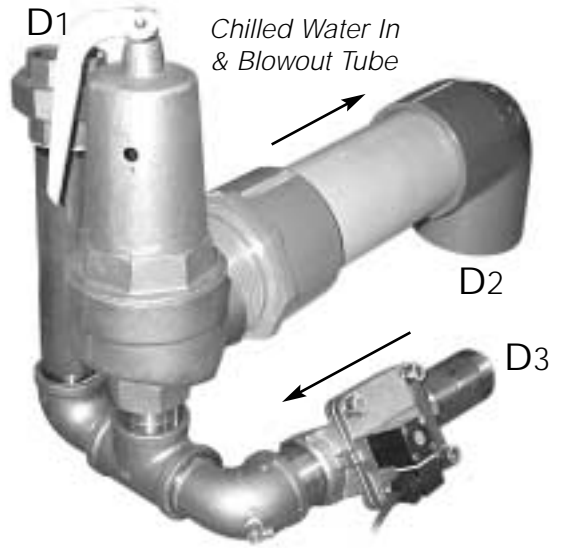
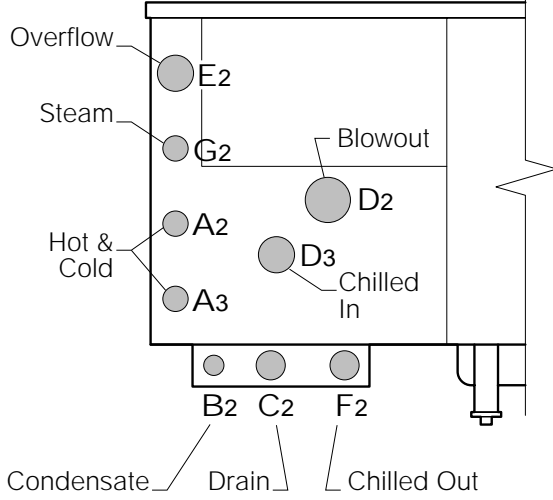
COOK TANK PLUMBING

CT00059 (CT-600, CT-1000 & CT-2200)

Tank Right Side View

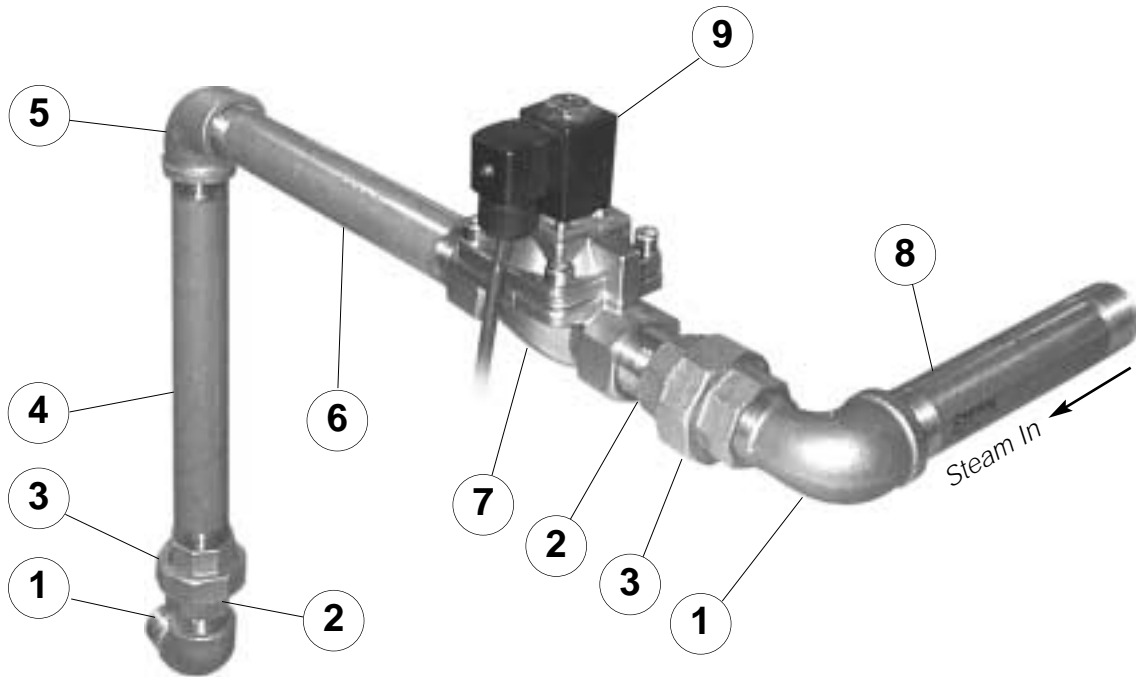


Console Back View



STEAM IN ASSEMBLY

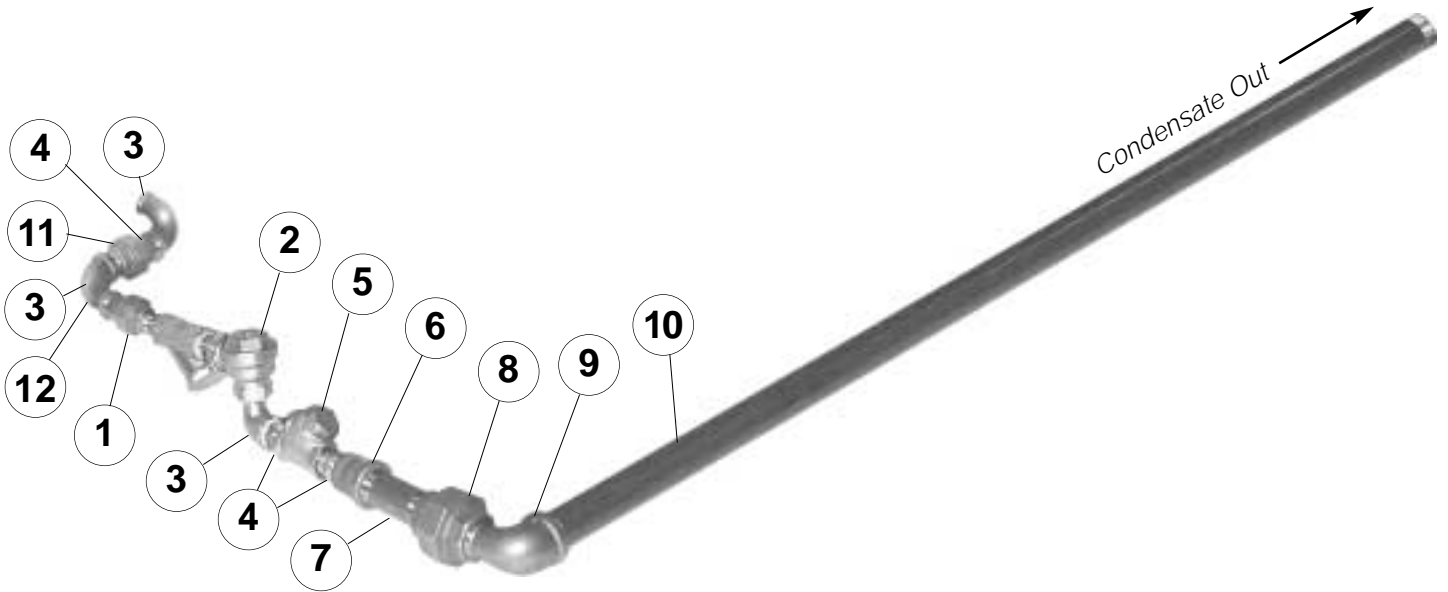
CT00060-1 (CT-600)
 CT00060-2 (CT-1000/2200)



ITEM NO.	PART NO.	DESCRIPTION	QTY.
1.	FI00153	Street Elbow, 1" NPT	2
2.	FI00659	Nipple, 1" NPT x 1 1/2" LG	2
3.	FI00097	Union, 1" NPT	2
4.		<u>Nipple</u>	1
	FI05247-3	for CT-600 1" NPT x 11" LG	
	FI05247-4	for CT-1000 & CT-2000 1" NPT x 19 1/2" LG	
5.	FI00064	Elbow, 1" NPT	1
6.	FI05247-3	Nipple, 1" NPT	1
7.	KE54834-12	Solenoid Valve	1
8.	FI05247-1	Nipple, 1" NPT x 6 3/4" LG	1
9.	CT50305-1	Plug	1

CONDENSATE OUT ASSEMBLY

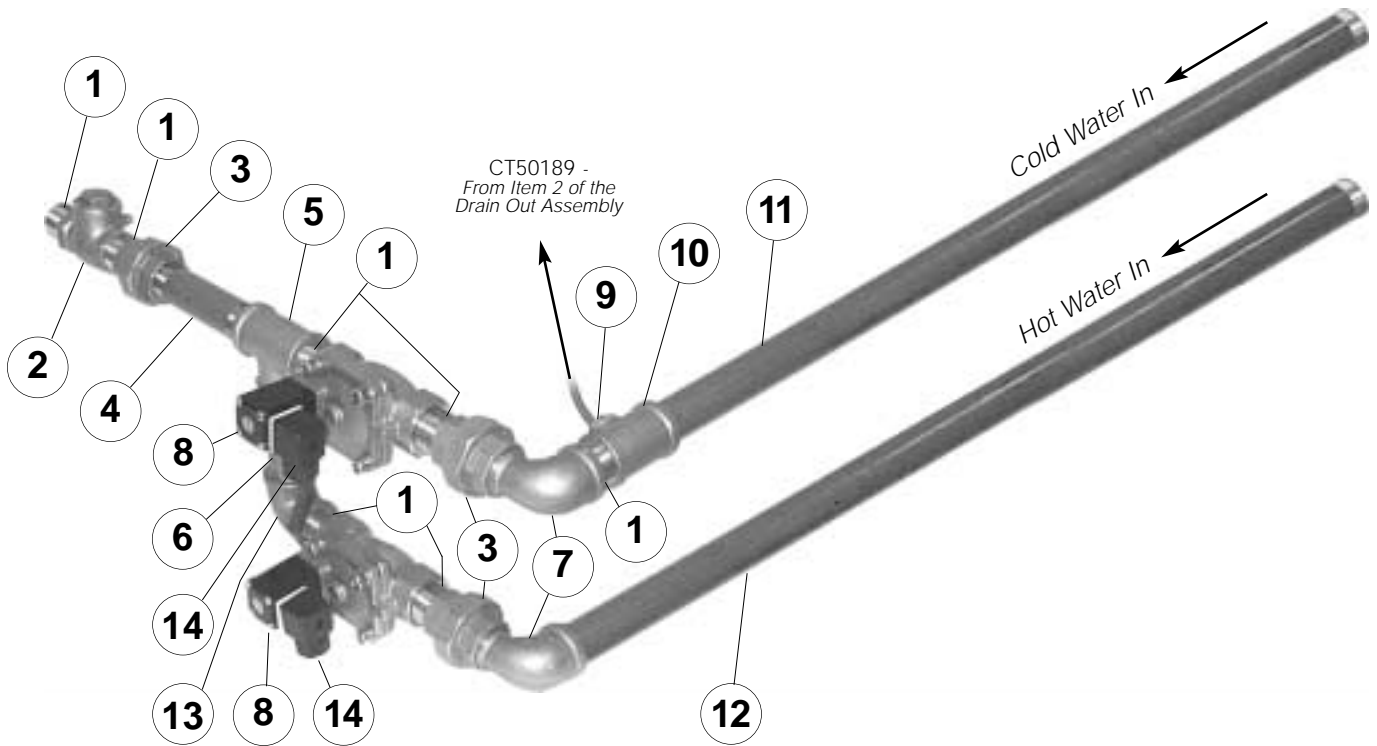
CT00061 (CT-600, CT-1000 & CT-2200)



ITEM NO.	PART NO.	DESCRIPTION	QTY.
1.	KE51654-4	Strainer	1
2.	KE51248-1	Steam Trap, 1/2" NPT	1
3.	FI05025	90° Street Elbow, chrome plated, 1/2" NPT	3
4.	FI00596	Nipple, 1/2" NPT, 1 1/2" LG	3
5.	KE51250-1	Check Valve	1
6.	FI00031	Coupling, FIP x FIP, 3/4" x 1/2" NPT	1
7.	FI00629-2	Nipple, 3/4" NPT	1
8.	FI00096	Union, 3/4" NPT	1
9.	FI00152	90° Street Elbow, brass, 3/4" NPT	1
10.	FI00629-39	Nipple, 3/4" NPT x 35" LG	1
11.	FI00095	Union, 1/2" NPT	1
12.	FI00596	Nipple, 1/2" NPT HEX	1

HOT & COLD WATER IN ASSEMBLY

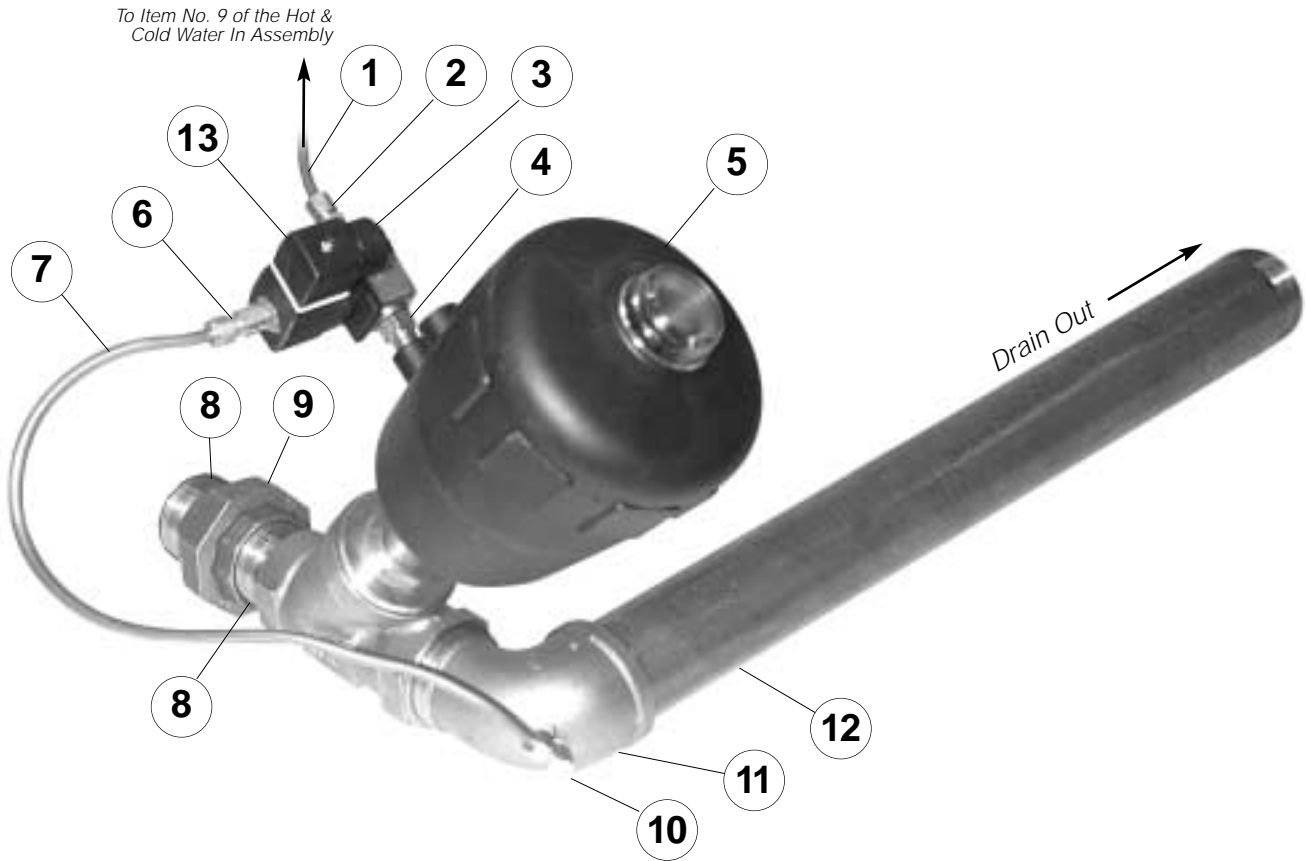
CT00062 (CT-600, CT-1000 & CT-2200)



ITEM NO.	PART NO.	DESCRIPTION	QTY.
1.	FI00659	Nipple, 1" NPT x 1 1/2" LG	7
2.	KE51250-3	Check Valve, 1" NPT	1
3.	FI00097	Union, 1" NPT	3
4.	FI00666	Nipple, 1" NPT x 5" LG	1
5.	FI00180	Tee, 1" NPT	1
6.	FI00664	Nipple, 1" NPT x 4" LG	1
7.	FI00153	Street Elbow 1" NPT	2
8.	KE54834-13	Solenoid Valve	2
9.	FI05049	Male Connector	1
10.	CT50246	Tee, 1" x 1" x 1/2" NPT	1
11.	FI005247-5	Nipple, 1" NPT x 31" LG	1
12.	FI005247-6	Nipple, 1" NPT x 33" LG	1
13.	FI00064	Elbow, 1" NPT	1
14.	CT50305-1	Plug	2

DRAIN OUT ASSEMBLY

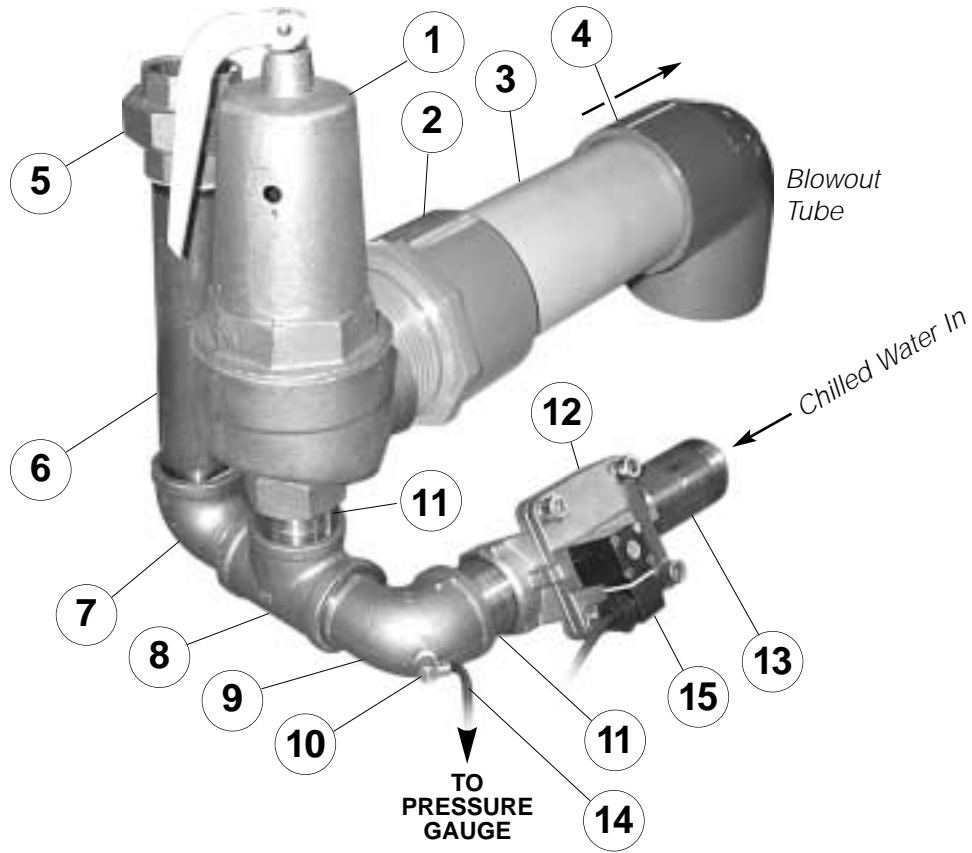
CT00063 (CT-600, CT-1000 & CT-2200)



ITEM NO.	PART NO.	DESCRIPTION	QTY.
1.	CT50189-1	Copper Tube, 1/4" O.D., 28" LG	1
2.	FI05185	Male Connector	1
3.	CT50179-1	Pilot Valve	1
4.	CT50283	Nipple	1
5.	CT50276-1	Solenoid Valve	1
6.	FI05134	Male Connector	1
7.	CT50189-2	Copper Tube, 1/4" O.D., 12" LG	1
8.	FI05253-2	Nipple, 2" NPT x 2" LG	1
9.	FI00100	Union, 2" NPT	1
10.	FI05077	Male Elbow	1
11.	CT50184	Street Elbow Modification	1
12.	FI05253-7	Nipple, brass, 2" NPT x 27" LG	1
13.	CT50305-1	Plug	1

CHILLED WATER IN ASSEMBLY

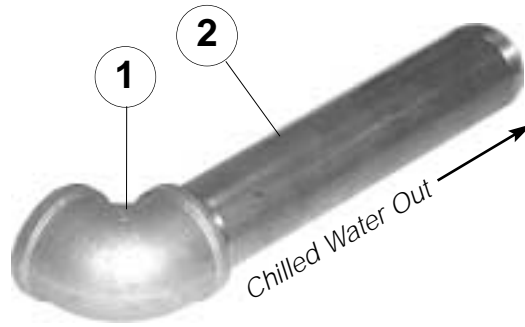
CT00064 (CT-600, CT-1000 & CT-2200)



ITEM NO.	PART NO.	DESCRIPTION	QTY.
1.	CT50181-1	Safety Valve	1
2.	FI05311	PVC Adapter	1
3.	FI05313	PVC Pipe	1
4.	FI05312	PVC 90° Elbow	1
5.	FI00100	Union, 2" NPT	1
6.	FI05253-4	Nipple, 2" NPT x 9" LG	1
7.	FI00156	Street Elbow, 2" NPT	1
8.	FI00183	Tee, 2" NPT	1
9.	CT50184	Street Elbow Modification	1
10.	FI05077	Male Elbow	1
11.	FI05253-2	Nipple, 2" NPT x 2" LG	1
12.	KE54834-14	Solenoid Valve	1
13.	FI05253-9	Nipple, 2" NPT x 5" LG	1
14.	CT50189-1	Copper Tube, 1/4" OD x 28" LG	1
15.	CT50305-1	Plug	1

CHILLED WATER OUT ASSEMBLY

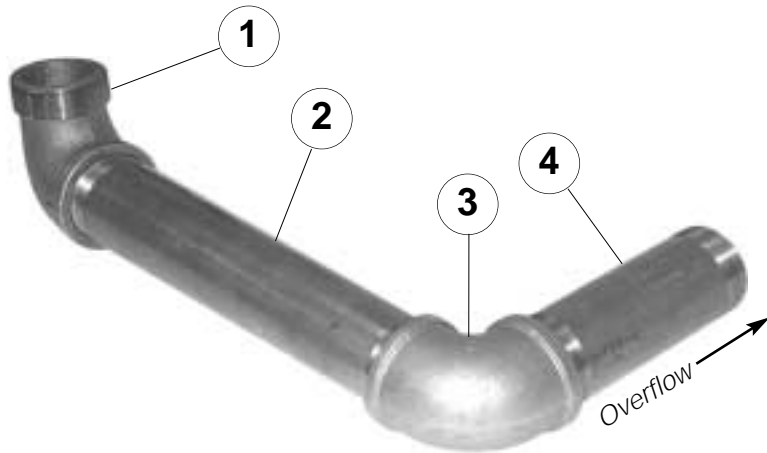
CT00065 (CT-600, CT-1000
& CT-2200)



ITEM NO.	PART NO.	DESCRIPTION	QTY.
1.	FI00067	Elbow, 2" NPT	1
2.	FI05253-5	Nipple, 2" NPT x 14" LG	1

OVERFLOW PLUMBING

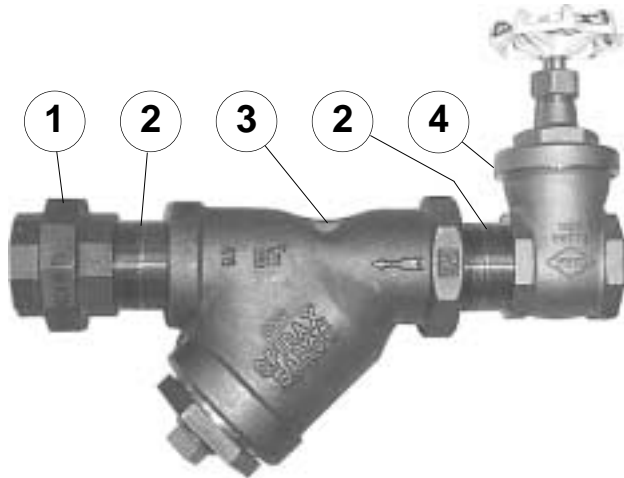
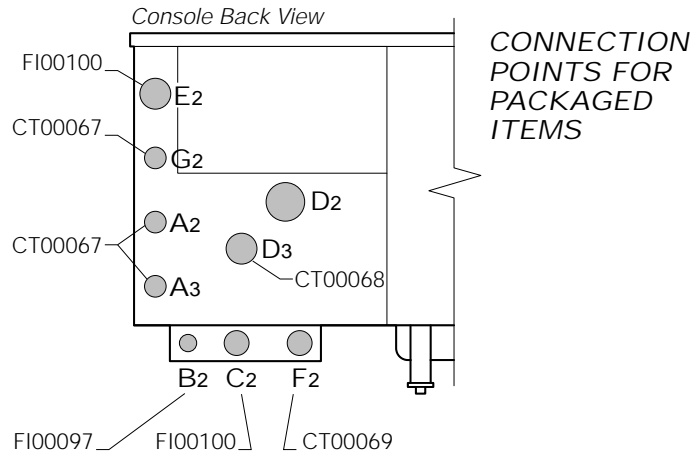
CT00066 (CT-600, CT-1000
& CT-2200)



ITEM NO.	PART NO.	DESCRIPTION	QTY.
1.	FI00156	Street Elbow, 2" NPT	1
2.	FI05253-6	Nipple, 2" x 15 1/2" LG	1
3.	FI00067	Elbow, 2" NPT	1
4.	FI05253-3	Nipple, 2" NPT x 7" LG	1

PACKAGED ITEMS

CT00055 (CT-600,
CT-1000 & CT-2200)

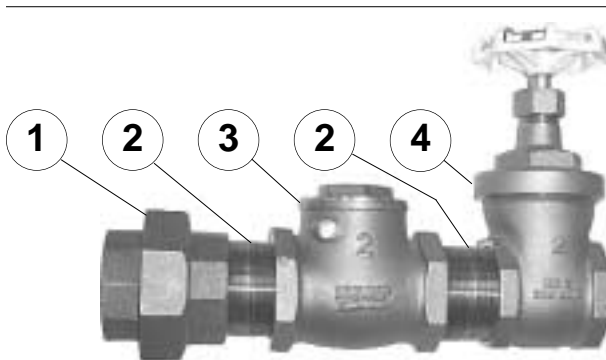


2" STRAINER & GATE VALVE ASSEMBLY (for Chilled Water In)

ITEM NO.	PART NO.	DESCRIPTION	QTY
1-4	CT00068	2" Strainer & Valve Assembly	1
1.	FI00100	Union, 2" NPT	1
2.	FI05253-2	Nipple, 2" NPT x 2" LG	2
3.	KE51654-3	Strainer, 2" NPT	1
4.	CT50250	Gate Valve, 2" NPT	1

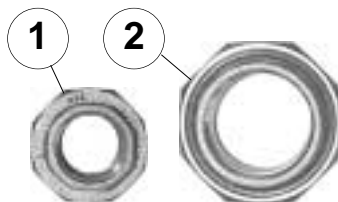
1" STRAINER & GATE VALVE ASSEMBLY (for Hot Water In, Cold Water In & Steam In)

ITEM NO.	PART NO.	DESCRIPTION	QTY
1-4	CT00067	1" Strainer & Valve Assembly	3
1.	FI00097	Union, 1" NPT	1
2.	FI00659	Nipple, 1" NPT x 1 1/2" LG	2
3.	KE51654-1	Strainer, 1" NPT	1
4.	CT50249	Gate Valve, 1" NPT	1



2" CHECK & GATE VALVE ASSEMBLY (for Chilled Water Out)

ITEM NO.	PART NO.	DESCRIPTION	QTY
1-4.	CT00069	Check & Gate Valve Assembly	1
1.	FI00100	Union, 2" NPT	1
2.	FI05253-2	Nipple, 2" NPT x 2" LG	2
3.	KE51250-4	Check Valve, 2" NPT	1
4.	CT50250	Gate Valve, 2" NPT	1



UNION

ITEM NO.	PART NO.	DESCRIPTION	QTY
1.	FI00097	Union, 1" NPT	1
2.	FI00100	Union, 2" NPT	2

MISCELLANEOUS ITEMS

PART NO.	DESCRIPTION	QTY	PART NO.	DESCRIPTION	QTY
	<u>Pen Tips</u>		CT00046	Pull Down Handle	1
SE50354	Red	1		<u>Options</u>	
SE50355	Green	1		<u>Chart Paper</u>	
SE95024	Service Manual	1	SE50378	30° - 230°F	1 (box of 100)
SE95029-1	MRC7000 Manual	1	SE50379	0° - 100°C	1 (box of 100)