

Installation Instructions

For

GPTO KIT	P/N 40946	GAS POWER TAKE-OFF
EPTO KIT	P/N 40947	ELECTRIC POWER TAKE-OFF
IMK KIT	P/N 40395_	MODULAR INTERCONNECT

WARNING

These kits are intended for use when interconnecting Cleveland Range products only. Misuse of these kits, or parts therein, can result in personal injury, product or property damage, and voiding of product warranties. Installation must be made by a qualified Cleveland Range authorized Service Representative.

GPTO KIT Instructions	See pages 2 and 3
EPTO KIT Instructions	See pages 4 and 5
IMK KIT Instructions	See pages 6 and 7

For questions, please call the Cleveland Range Service Department at 216-481-7680 or 1-800-847-4333

1333 East 179th Street
Cleveland, Ohio 44110
Phone: (216) 481 - 4900
Fax: (216) 481 - 3782
www.clevelandrange.com



Cleveland

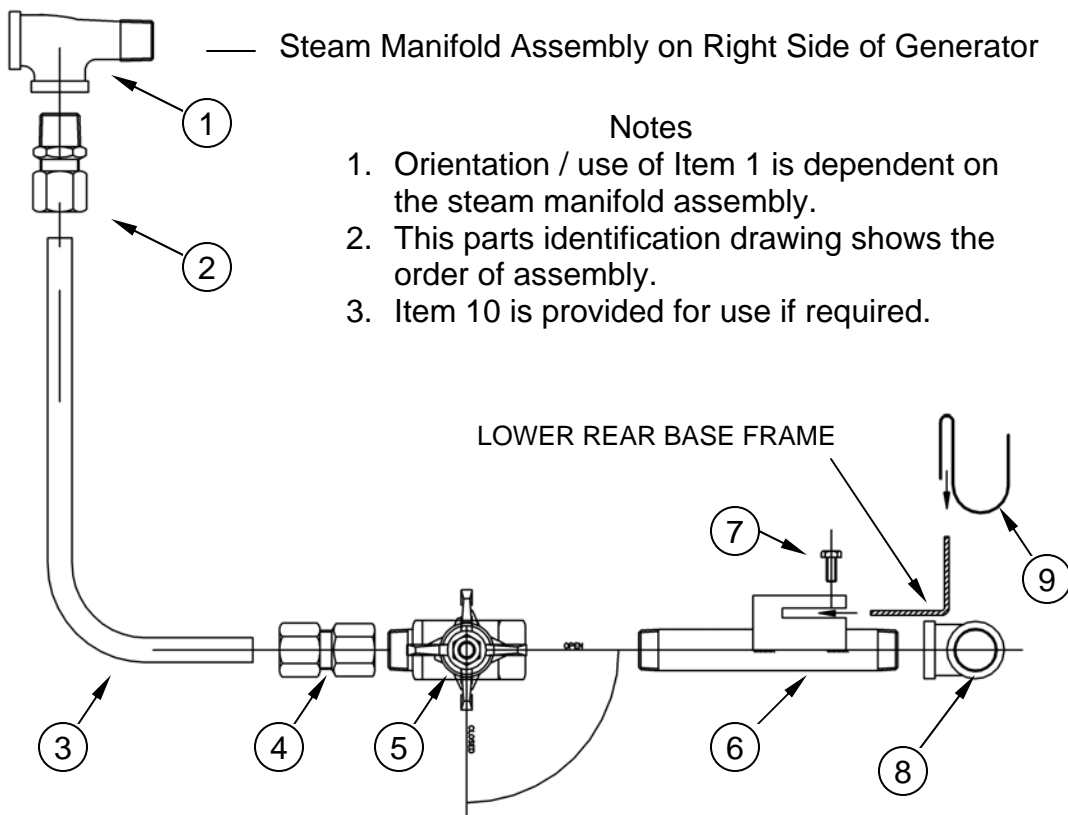
Part No. 260WS. REV. B. 5/05

PARTS IDENTIFICATION

GAS POWER TAKE-OFF

KIT P/N 40946

Item Number	Part Number	Description	Quantity
1	20249	Tee, Male Run, 3 / 4	1
2	06208	Compression Fitting, 3 / 4 X 3 / 4, Male	1
3	101325	Tube, Power Take-Off	1
4	06323	Compression Fitting, 3 / 4 X 3 / 4, Female	1
5	03277	Valve, Ball, 3 / 4, Male / Female	1
6	101323	Clamp & Nipple Assembly	1
7	19170	Screw, Hex Head, 1 / 4 – 20 X 5 / 8	1
8	20206	Tee, 3 / 4	1
9	101327	Clip, Hose Support, Frame Mount	1
10	16607	Plug, Pipe, 3 / 4 (not shown)	1



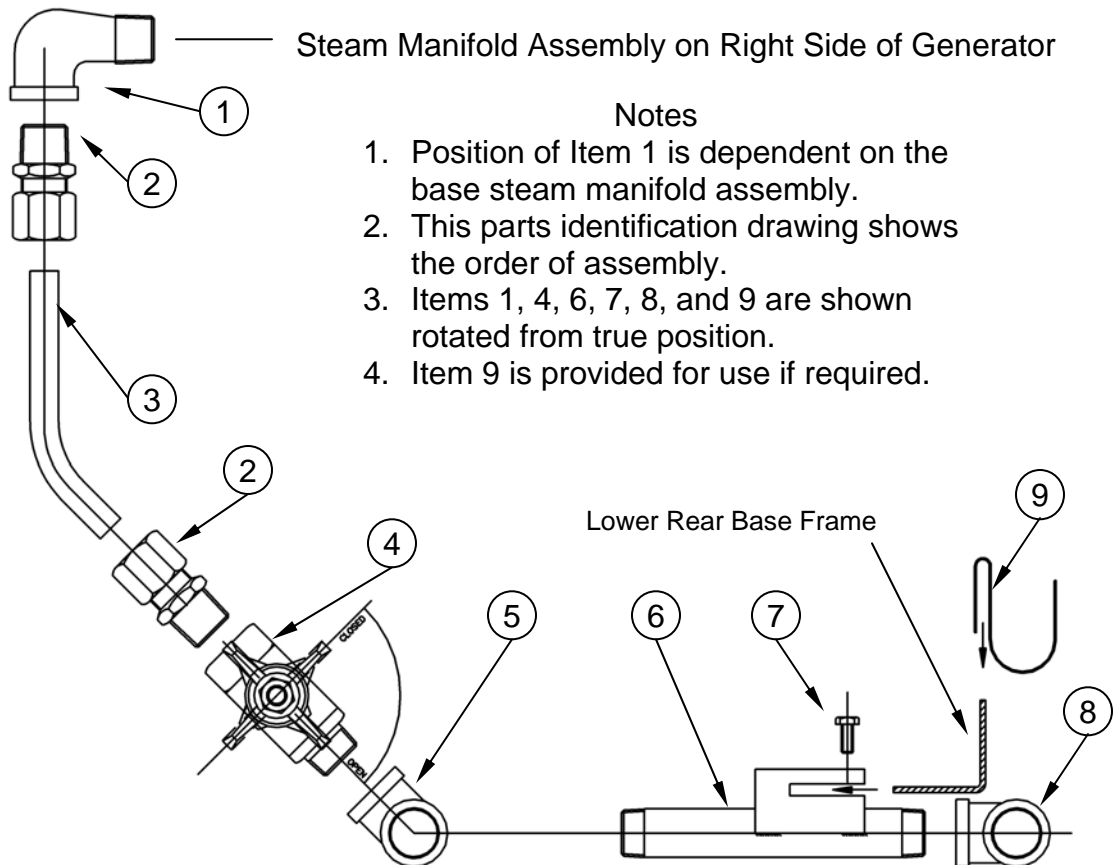
ASSEMBLY INSTRUCTIONS

GPTO KIT P/N 40946

1. Read and fully understand this procedure before beginning.
2. Read these instructions and the parts identification page and verify that you have the correct kit.
3. Shut off power and other utilities. Lock them out as required.
4. Allow unit to cool down before proceeding.
5. All threaded connections require the use of thread sealant.
6. Tighten compression fittings by hand, and then tighten one full turn more with a wrench.
7. Depending on the configuration of the steam outlet manifold plumbing, Item 1 may be installed to provide a downward facing 3 / 4" outlet.
8. If a pipe plug is removed to install Item 1 or Item 2, it will be installed in the 3 / 4 inch Tee, Item 8.
9. Either or both ends of Item 3, the 3 / 4" copper tube may be cut to length.
10. On 24" bases, the drain manifold must be moved temporarily to install Items 4-7.
11. Check for loose connections, tighten as required.
12. Turn on power, check for leaks under pressure.
13. Allow unit to cool down before repairing any leaks.
14. If this Power Take-Off uses a hose to connect units, install item 9 on the frame to support the hose.

PARTS IDENTIFICATION
ELECTRIC POWER TAKE-OFF
KIT P/N 40947

Item Number	Part Number	Description	Quantity
1	05231	Elbow, Street, 3 / 4 X 90°	1
2	06208	Compression Fitting, 3 / 4 X 3 / 4, Male	2
3	101931	Tube, Power Take-Off	1
4	03277	Valve, Ball, 3 / 4, Male / Female	1
5	05260	Elbow, 90°, 3 / 4	1
6	101323	Clamp & Nipple Assembly	1
7	19170	Screw, Hex Head, 1 / 4 – 20 X 5 / 8	1
8	20206	Tee, 3 / 4	1
9	101327	Clip, Hose Support, Frame Mount	1
10	16607	Plug, Pipe, 3 / 4 (not shown)	1



EPTO KIT P/N 40947

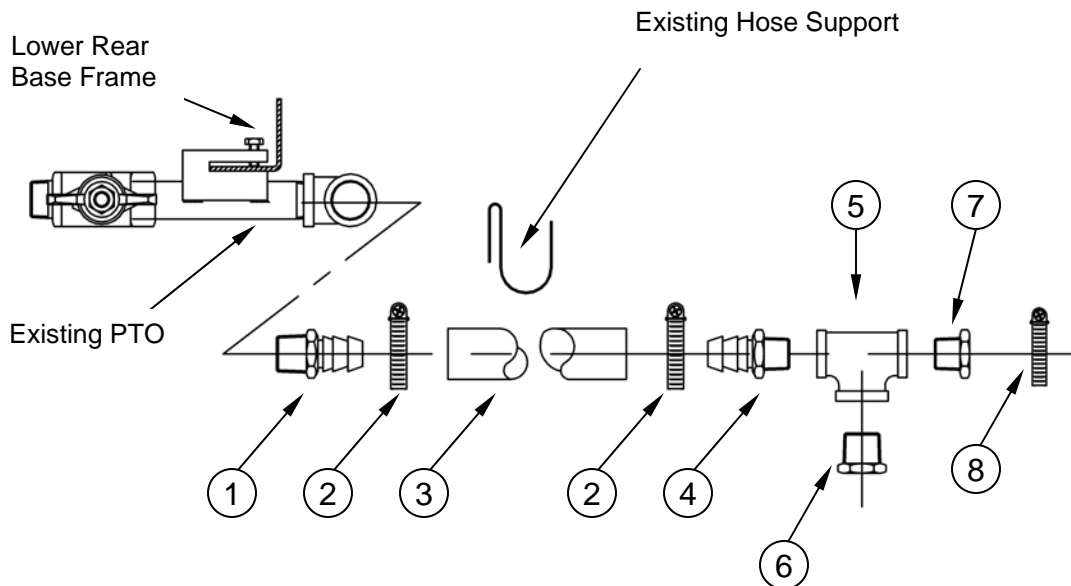
1. Read and fully understand this procedure before beginning.
2. Read these instructions and the parts identification page and verify that you have the correct kit.
3. Shut off power and other utilities. Lock them out as required.
4. Allow unit to cool down before proceeding.
5. All threaded connections require the use of thread sealant.
6. Tighten compression fittings by hand, and then tighten one full turn more with a wrench.
7. Depending on the configuration of the steam outlet manifold plumbing, Item 1 may be installed to provide a downward facing 3 / 4" outlet.
8. If a pipe plug is removed to install Item 1 or Item 2, it will be installed the 3 / 4 inch Tee, Item 8.
9. Either or both ends of Item 3, the 3 / 4" copper tube may be cut to length.
10. On 24" bases, the drain manifold must be moved temporarily to install Items 4-7.
11. Check for loose connections, tighten as required.
12. Turn on power, check for leaks under pressure.
13. Allow unit to cool down before repairing any leaks.
14. If this Power Take-Off uses a hose to connect units, install item 9 on the frame to support the hose.

PARTS IDENTIFICATION
MODULAR INTERCONNECT KIT
 KIT P/N 40935_

Item Number	Part Number	Description	Quantity
1	06240	Ftg., Hose Barb, 3 / 4 H X 3 / 4	1
2	107312	Clamp, Hose, 1 1 / 8 OD	2
3	08511	Hose, EDPM, 3 / 4 ID X _ FT	1
4	06241	Ftg., Hose Barb, 3 / 4 H X 1 / 2	1
5	20198	Tee, 1 / 2 X 1 / 2 X 3 / 4	1
6	02566	Bushing, Reducing, 3 / 4 X 1 / 2	1
7	16606	Plug, Hex Head, 1 / 2	1
8	03204	Clamp, Hose, 13 / 16 OD	1

Notes

1. The steam hose, Item 3, is available in 6, 10, 15, and 20-foot lengths.
2. Existing PTO must have a shut-off valve to ensure safety in case of service shutdown.
3. Items 5, 6, 7, and 8 are provided to allow hook-up to 1 / 2 or 3 / 4 inch NPT kettle connections, or to provide a connection point for a second IMK kit.
4. This kit is only for use to connect an existing Cleveland Range PTO installed on a Cleveland Range boiler to a direct connect (steam-powered) appliance(s).
5. Do NOT use this kit or any other method to connect multiple steam sources together.



ASSEMBLY INSTRUCTIONS

IMK KIT P/N 40935_

1. Read and fully understand this procedure before beginning.
2. Read these instructions and the parts identification page and verify that you have the correct kit.
3. Shut off power and other utilities. Lock them out as required.
4. Allow unit to cool down before proceeding.
5. All threaded connections require the use of thread sealant.
6. Tighten compression fittings by hand, and then tighten one full turn more with a wrench.
7. Depending on the steam inlet manifold plumbing, install Items 5, 6, and 7 to provide the outlet(s) facing as required.
8. After cutting the hose to the required length, blow out any debris before assembly.
9. For easier assembly, moisten the ID of the hose before pushing it onto the barbs.
10. Do not over tighten the hose clamps.
11. Check for loose connections, tighten as required.
12. Turn on power, check for leaks under pressure.
13. Allow unit to cool down before repairing any leaks.
14. Item 8 can be used for additional hose support. There are two slots on the lower base frame side rails that the clamp can be installed through.

This Page for Internal Record Only, Not for Printing

Cleveland Range, LLC

1333 East 179th St, Cleveland, Ohio 44110

Drawing No. **260WS**

Revision Index Page

LET	REVISION HISTORY	DATE	BY
-	Original Instructions 260-WS	3/88	-
A	Production Release per EO # C-6201	5/02	-
B	Production Release per EO # C-6814	4/05	ERB