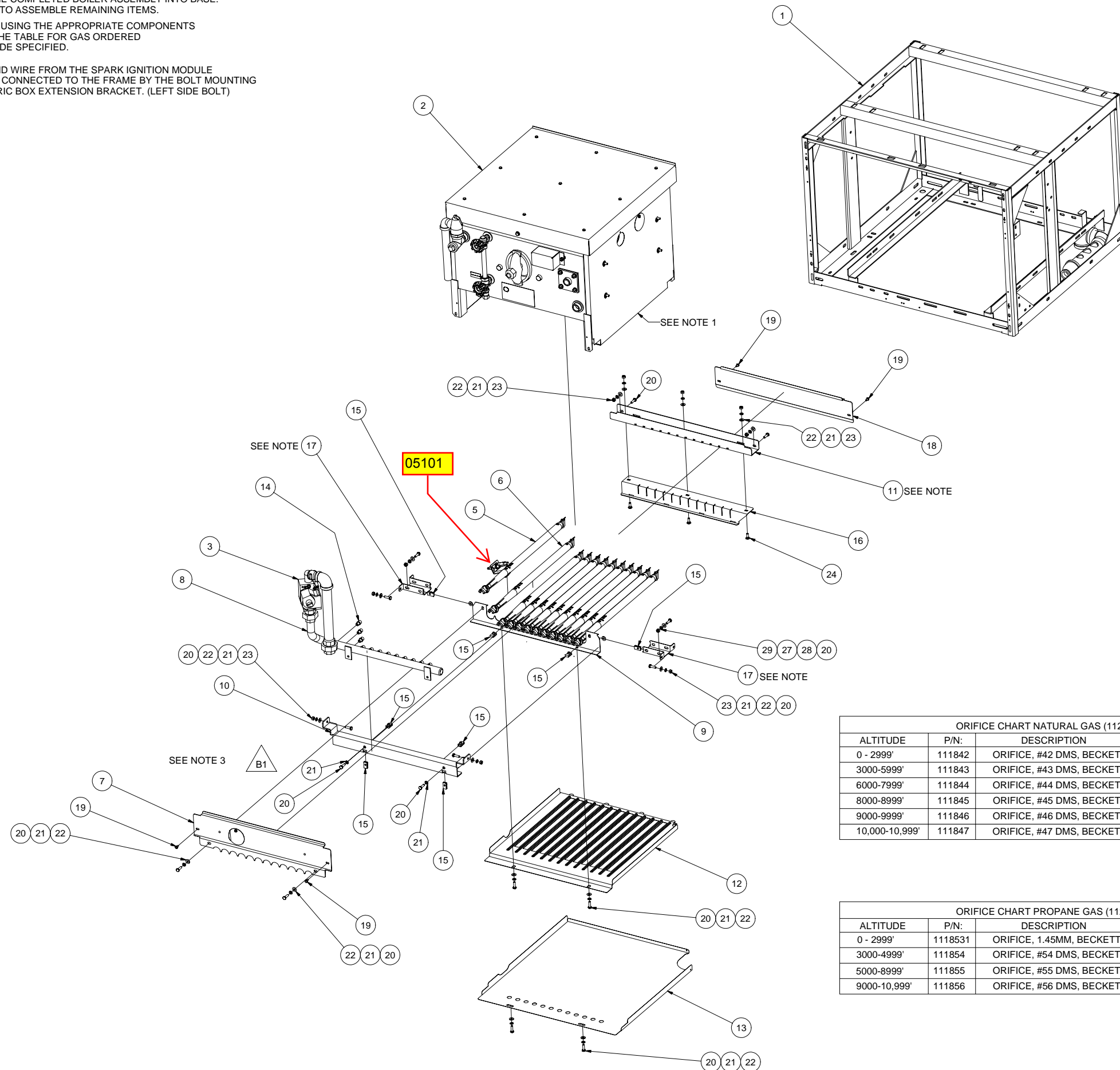


- NOTE:
1. INSTALL ITEM 12 AND TWO ITEM 18 WITH INDICATED FASTENERS ONTO BOILER LEGS BEFORE INSTALLING SIDE INSULATION PANELS. INSTALL THE COMPLETED BOILER ASSEMBLY INTO BASE. CONTINUE TO ASSEMBLE REMAINING ITEMS.
 2. ASSEMBLE USING THE APPROPRIATE COMPONENTS NOTED IN THE TABLE FOR GAS ORDERED AND ALTITUDE SPECIFIED.
 3. THE GROUND WIRE FROM THE SPARK IGNITION MODULE SHOULD BE CONNECTED TO THE FRAME BY THE BOLT MOUNTING THE ELECTRIC BOX EXTENSION BRACKET. (LEFT SIDE BOLT)

LET.	DESCRIPTION	DATE	BY
A	PRODUCTION RELEASE PER EO# C-7160	08-14-06	LPH
B	1.) CHANGED IGNITION MODULE GROUND WIRE LOCATION	12-05-06	DS
-	2.) ADDED NOTE 3, PER EO #C-7247 (REF ECR 06-156)	-	-



Starting 06K

Ignition wire S300587

ALTITUDE	P/N:	DESCRIPTION	HOLE SIZE
0 - 2999'	111842	ORIFICE, #42 DMS, BECKETT	#42(0.094± 0.001 REF)
3000-5999'	111843	ORIFICE, #43 DMS, BECKETT	#43(0.089± 0.001REF)
6000-7999'	111844	ORIFICE, #44 DMS, BECKETT	#44(0.086± 0.001 REF)
8000-8999'	111845	ORIFICE, #45 DMS, BECKETT	#45(0.082± 0.001 REF)
9000-9999'	111846	ORIFICE, #46 DMS, BECKETT	#46(0.081± 0.001 REF)
10,000-10,999'	111847	ORIFICE, #47 DMS, BECKETT	#47(0.079± 0.001 REF)

ALTITUDE	P/N:	DESCRIPTION	HOLE SIZE
0 - 2999'	1118531	ORIFICE, 1.45MM, BECKETT	1.45MM(0.057± 0.001 REF)
3000-4999'	111854	ORIFICE, #54 DMS, BECKETT	#54(0.055± 0.001 REF)
5000-8999'	111855	ORIFICE, #55 DMS, BECKETT	#55(0.052± 0.001 REF)
9000-10,999'	111856	ORIFICE, #56 DMS, BECKETT	#56(0.047± 0.001 REF)

26	1	109196	GENERATOR ASSY WELDMENT 2 PROBE, GAS, LARGE
25	1	100332	YOKE, 3 X 4 HANDHOLE GENERATOR
24	3	111273	SCREW, CARRIAGE, 1/4-20x3/4, SST (RND HEAD, SQ NECK)
23	17	14618	NUT, HEX, 1/4-20, STAINLESS STEEL
22	17	23116	WASHER, FLAT, 281 ID x.625 OD x .065 THK, SST
21	18	23105	WASHER, LOCK, 1/4" KATLINK STYLE, SST
20	16	19288	SCREW, 1/4-20 X 3/4, HEX, HD, ZINC PLATED
19	6	19148	SCREW, HEX WASHER HD, #10 x 1/2, TYPE AB, ZINC PLTD
18	1	111973	BAFFLE, REAR, 300K GAS
17	2	111760	BRACKET, FRONT, BOILER MOUNTING
16	1	111363	SUPPORT, BURNER, REAR 300K BTU, BECKETT BURNER
15	8	110581	NUT, "U" TYPE (EXTRUDED) #1/4-20 UNC-2B THREAD
14	12	-	ORIFICE - FROM TABLE
13	1	111371	COVER, BURNER, BOTTOM, 300 K BTU
12	1	111368	BAFFLE, BOTTOM, 300K BTU, BECKETT BURNER
11	1	1113631	SUPPORT, BOILER, REAR 300K BTU, BECKETT BURNER
10	1	111359	BRACKET, MOUNTING, BURNER MANIFOLD, 300K
9	1	111362	COVER, FRONT LOWER, BURNER, 300K, BECKETT BURNER
8	1	111234	MANIFOLD, GAS BASE, 300K BECKETT BURNER
7	1	112025	ASSEMBLY, FRONT BAFFLE, INSULATED, 300KBTU
6	11	111355	BURNER, BECKETT, TUBE, 1", GAS BASE AND STEAMCHEF
5	1	111447	ASSY, BURNER & IGNITOR
4	-	112027	ASSEMBLY, VALVE, LP GAS - 300 BTU, BECKETT GAS BURNER
3	-	112026	ASSEMBLY, VALVE, NATURAL GAS - 300 BTU, BECKETT GAS BURNER
2	2	1009801	INSULATION PANEL ASSY,R/L SIDE,REV BEND GEN
1	1	REF	BASE - GENERIC WELDMENT 900 & 10050M

SEE NOTE 2

SEE NOTE 2

ITEM	QTY	REF NO.	DESCRIPTION
CLEVELAND RANGE, I.L.C. 1333 East 179th St., Cleveland, Ohio 44110-2574 <small>THIS DESIGN DESCRIBES A PROPRIETARY ITEM AND IS THE PROPERTY OF CLEVELAND RANGE. THIS DRAWING IS NOT TO BE COPIED OR USED WITHOUT THE APPROVAL OF CLEVELAND RANGE.</small>			
TOLERANCES (UNLESS OTHERWISE NOTED)		DO NOT SCALE PRINTED DRAWING	DRAWN BY LPH DATE 8/14/2006
DECIMAL ± 0.030		TITLE INSTRUCTIONS - BURNER ASSEMBLY LARGE GAS 900M & 1050M	
ANGULAR ± 1°	SIZE D	DRAWING NO. 112030	SHEET 1 OF 1 REV B