

Project _____
 Item _____
 Quantity _____
 FCSI Section 11400 _____
 Approved _____
 Date _____

2 PIECE COVER WITH SCREEN

FOR VERTICAL MIXER KETTLES

Models

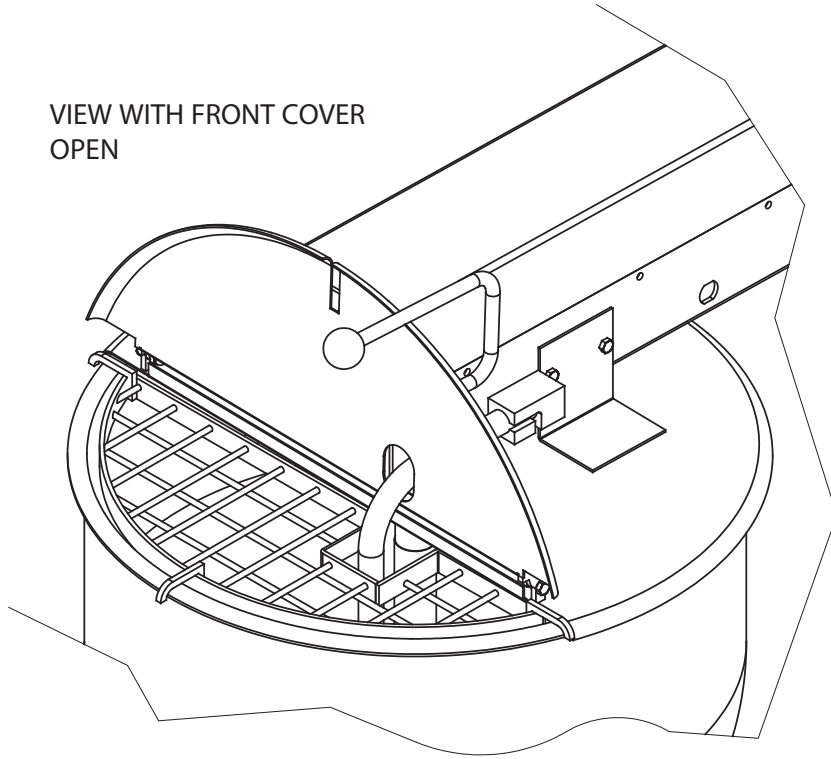
- MTP-V-40 • MTP-V-60 • MTP-V-80
- MTP-V-100 • MTP-V-125 • MTP-V-150



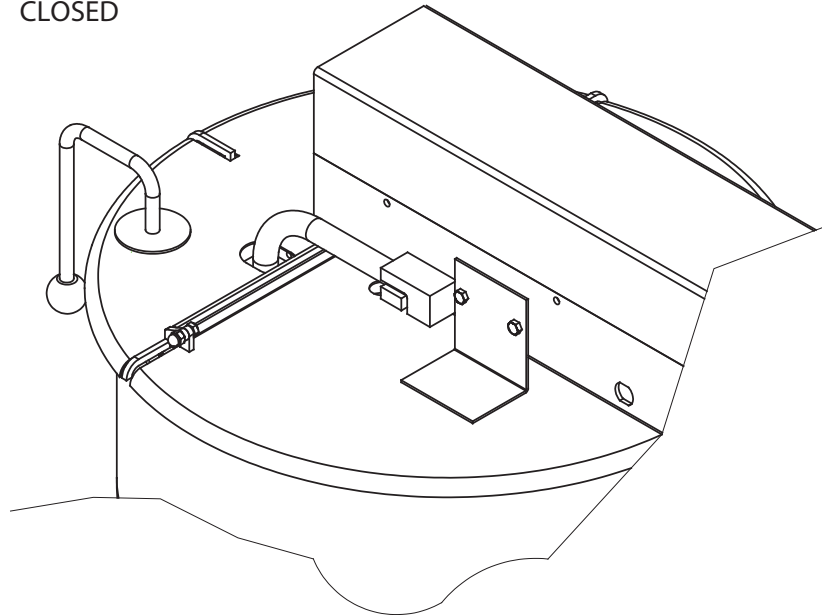
Standard Features

- Addresses safety issues, for guarding of moving parts, that is required in many jurisdictions
- Non removable two piece cover with heavy duty screen
- Screen and cover are 100 percent stainless steel
- Screen cannot be removed when mixer is in place but is easily removed when bridge is raised for cleaning or when putting through dishwasher
- Heavy duty screen is made with 1/4" stainless steel bars welded to a rigid frame. Openings are 2" by 2" to allow for easy addition of product but still prevent user from coming in contact with moving parts
- Cover is easily cleanable in place

VIEW WITH FRONT COVER
OPEN



VIEW WITH FRONT COVER
CLOSED



NOTES:

Cleveland Range reserves right of design improvement or modification, as warranted.
 Many regional, state and local codes exist and it is the responsibility of the owner and installer to comply with the codes.
 Installation of backflow preventers, vacuum breakers and other specific code requirements is the responsibility of the owner and installer.
 Cleveland Range equipment is built to comply with applicable standards for manufacturers. Included among those approval agencies are U.L., A.G.A., NSF, ASME/N.Bd., CSA, CGA, ETL and others.

(NOT TO SCALE)