

Project _____
Item _____
Quantity _____
FCSI Section 11400 _____
Approved _____
Date _____

KETTLE LIFT OFF COVER

FOR COUNTER TOP ELECTRIC AND GAS KETTLES

Models

- LCH-3 (FOR 3 GALLON/11 LITER KETTLES)
- LCH-6 (FOR 6 GALLON/23 LITER KETTLES)
- LCH-12 (FOR 12 GALLON/45 LITER KETTLES)
- LCH-20 (FOR 20 GALLON/80 LITER KETTLES)

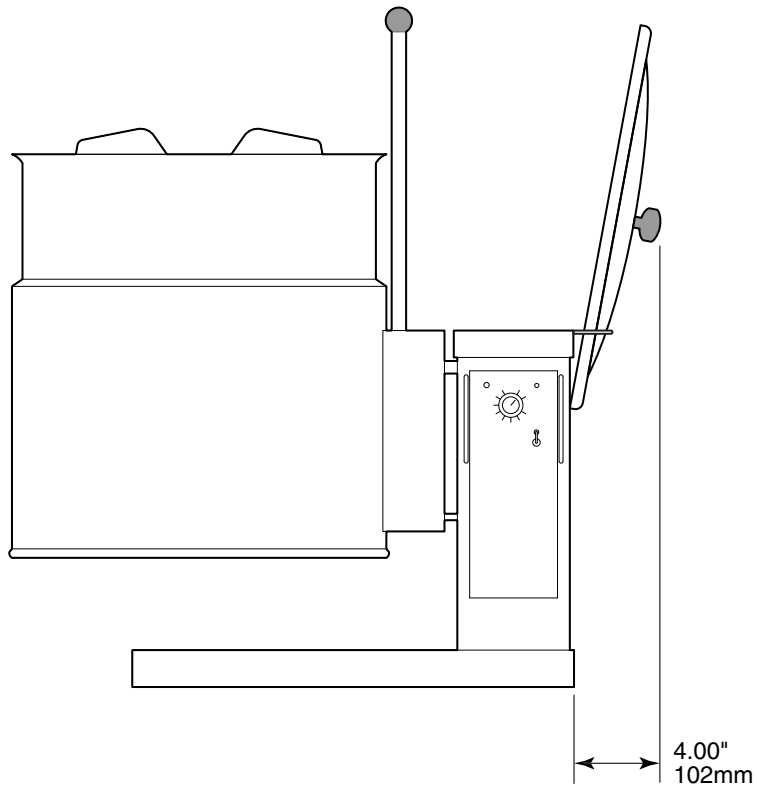


Standard Features

- Quick, easy system for storing lift off cover
- Simple installation, attaches easily to the top of the console cover using existing screws (can be installed on existing models)
- Keeps cover in a cleaner and more sanitary location
- Heavy gauge stainless steel construction for rugged durability



CLEARANCE REQUIRED
(for 3, 6, 12 & 20 gallon models)



NOTES:

Cleveland Range reserves right of design improvement or modification, as warranted.
Many regional, state and local codes exist and it is the responsibility of the owner and installer to comply with the codes.
Installation of backflow preventers, vacuum breakers and other specific code requirements is the responsibility of the owner and installer.
Cleveland Range equipment is built to comply with applicable standards for manufacturers. Included among those approval agencies are U.L., A.G.A., NSF, ASME/N.Bd., CSA, CGA, ETL and others.

(NOT TO SCALE)