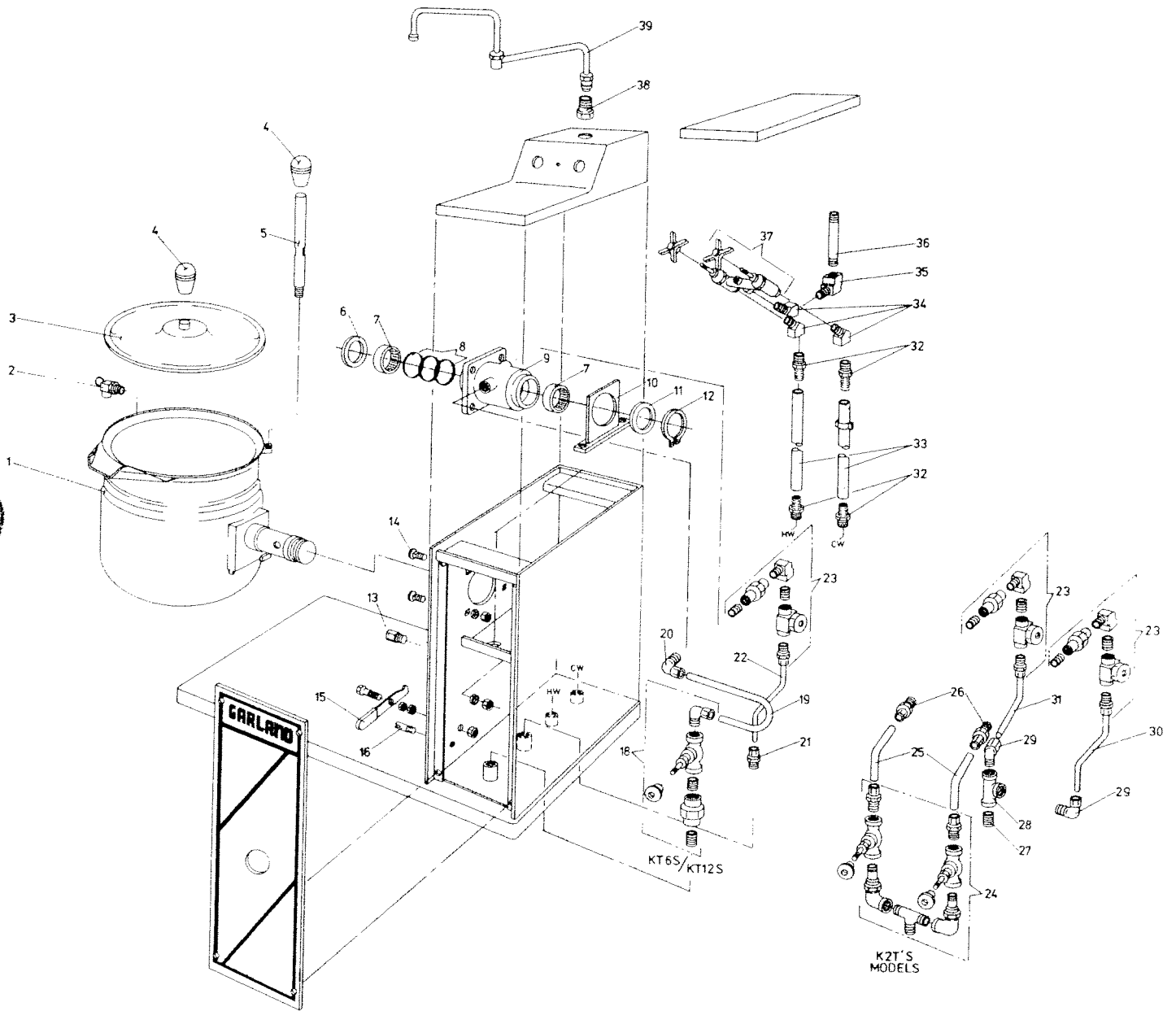


GARLAND

TILTING KETTLES — DIRECT STEAM

MODELS - KT6S, KT12S, K2T6S, K2T12S, K2T6/12S, K2T12/6S



GARLAND PARTS IDENTIFICATION

TILTING KETTLES — DIRECT STEAM

MODELS - KT6S, KT12S, K2T6S, K2T12S, K2T6/12S, K2T12/6S

ITEM	PART NUMBER	DESCRIPTION	MODELS					
			KT6S	KT12S	K2T6S	K2T12S	K2T6/12S	K2T12/6S
1	071507-01-11	Kettle Assembly - R.H. Trunnion	1		1		1	
	071507-01-12	Kettle Assembly - L.H. Trunnion			1			1
	071230-01-11	Kettle Assembly - R.H. Trunnion		1		1		1
	071230-01-12	Kettle Assembly - L.H. Trunnion				1	1	
2	076127-1	Safety Valve	1	1	2	2	2	2
3	071476-01-1	Cover Assembly	1		2		1	1
4	071478-01-1	Cover Assembly		1		2	1	1
5	078051-1	Knob	2	2	4	4	4	4
5	078255-1M	Handle $9\frac{1}{2}$		1		2	1	1
	078255-2M	Handle $6\frac{1}{2}$	1		2		1	1
6	078179-2	Bronze Washer	1	1	2	2	2	2
7	078224-1	Trunnion Bearing <i>K651711</i>	2	2	4	4	4	4
8	078180-1	'O' Ring	3	3	6	6	6	6
9	071182-1	Trunnion Housing	1		2		1	1
	071217-1	Trunnion Housing		1		2	1	1
10	071345-01-2	Housing Support Assembly	1	1	2	2	2	2
11	078179-1	Bronze Washer	1	1	2	2	2	2
12	078225-1	Retainer Ring	1	1	2	2	2	2
13	078234-1	Tilt - Stop Pin		1		2	1	1
	078234-2	Tilt - Stop Pin	1		2		1	1
14	F257	Lockwasher 1/2" S.S.	1	1	2	2	2	2
	F246	Hex Nut 1/2" - 13 S.S.	1	1	2	2	2	2
	078204-1	Carriage Bolt 5/16" - 18x 1" LG S.S.	4	4	8	8	8	8
	F258	Lockwasher 5/16" S.S.	4	4	8	8	8	8
	F241	Hex Nut 5/16" - 18 S.S.	4	4	8	8	8	8
15	071734-1-1	Latch - Tilt Lock (U.K. only)	1	1	2	2	2	2
	F190	Hex Bolt 1/4" - 20 x 1" S.S.						
	F239	Hex Nut 1/4" - 20 S.S.						
16	078293-1	Vinyl Grip						
	070244-1-2	Pin S.S.	1	1	2	2	2	2
17	071840-01	Steam Inlet Assembly <i>11156928</i>	1	1				
	076029-4	Close Nipple 1/2"						
	076029-80	Pipe Union 1/2"						
	076044-1P	Steam Valve c/w Knob (078086-1)						
19	076050-27	Compression Elbow 3/8"T x 1/2"M						
	071479-1	Connecting Tube 3/8"	1					
20	071323-13	Connecting Tube 3/8"		1				
	076050-26	Compression Elbow 3/8"T x 3/8"M	1	1				
	076050-46	Compression Connector 3/8"T x 1/2"M	1	1				
22	071479-2	Connecting Tube 3/8"	1					
	071479-3	Connecting Tube 3/8"		1				
21	071842-01	Condensate Return Assembly <i>1456901</i>	1	1	2	2	2	2
	076029-3	Close Nipple 3/8"						
	076029-79	Pipe Union 3/8"						

FUNCTIONAL PARTS ARE PRICED ON PRICE LIST. ALL OTHER PARTS, PRICED ON APPLICATION.

GARLAND PARTS IDENTIFICATION

TILTING KETTLES — DIRECT STEAM

MODELS - KT6S, KT12S, K2T6S, K2T12S, K2T6/12S, K2T12/6S

ITEM No.	PART NUMBER	DESCRIPTION	MODELS						
			KT6S	KT12S	K2T6S	K2T12S	K2T6/12S	K2T12/6S	
24	076029-138	Street Elbow 3/8" T							
	076056-2	Steam Trap 3/8"							
	076050-19R	Compression Connector 3/8" T x 3/8" M							
	071841-01	Steam Inlet Assembly			1	1	1	1	
	076029-154	Male Pipe Tee 1/2"							
25	076015-1	Union Elbow 1/2"							
	076044-1P	Steam Valve c/w Knob (078086-1)							
	076050-46	Compression Connector 3/8" T x 1/2" M							
	071323-10	Connecting Tube 3/8"			2				
	071479-6	Connecting Tube 3/8"				2	2	2	
26	076050-19R	Compression Connector 3/8" T x 3/8" M			2	2	2	2	
		076029-4	Close Nipple 1/2"			1	1	1	1
		076029-57	Pipe Tee 1/2"			1	1	1	1
		076050-27	Compression Elbow 3/8" T x 1/2" M			2	2	2	2
		071479-4	Connecting Tube 3/8"			1			
31	071479-5	Connecting Tube 3/8"				1	1	1	
		071323-11	Connecting Tube 3/8"			1			
		071323-12	Connecting Tube 3/8"				1	1	
		076050-60	Hose Barb 3/8" H x 3/8" M	4	4	4	4	4	
		076050-60	Hose Barb 3/8" H x 3/8" M (U.K. only)	2	2	2	2	2	
33	071508-1	Hose - PVC 3/8"	2		2				
		071508-1	Hose - PVC 3/8" (U.K. only)	1		1			
		071508-2	Hose - PVC 3/8"		2		2	2	
		071508-2	Hose - PVC 3/8" (U.K. only)		1		1	1	
		076134-1	Hose Clamp	4	4	4	4	4	
34	076134-1	Hose Clamp (U.K. only)	2	2	2	2	2		
		076050-62	Street Elbow 3/8" x 45°	3	3	3	3	3	
		076050-62	Street Elbow 3/8" x 45° (U.K. only)	2	2	2	2	2	
		076029-138	Street Elbow 3/8" x 90°	1	1	1	1	1	
		076029-156	Pipe Nipple 3/8" x 3"	1	1	1	1	1	
37	076074-2	Mixing Valve	1	1	1	1	1		
		076074-4	Mixing Valve (U.K. only)	1	1	1	1		
		078097-4	Plug Button						
		071730-1-1	Spacer						
		076013-2	Swivel Body Fitting	1	1	1	1	1	
39	076013-5	Nozzle - (Double Jointed)	1	1	1	1	1		

FUNCTIONAL PARTS ARE PRICED ON PRICE LIST. ALL OTHER PARTS, PRICED ON APPLICATION.