

# SteamCraft® 10

# Cleveland

## Direct Steam Convection Steamers with Easy Timer

---

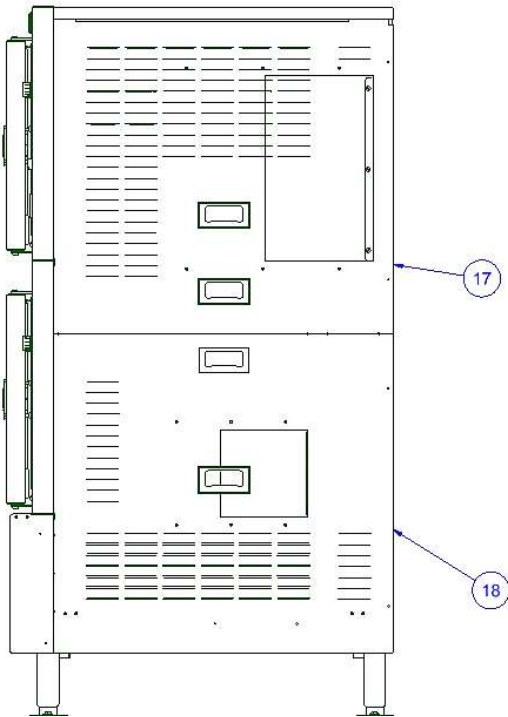
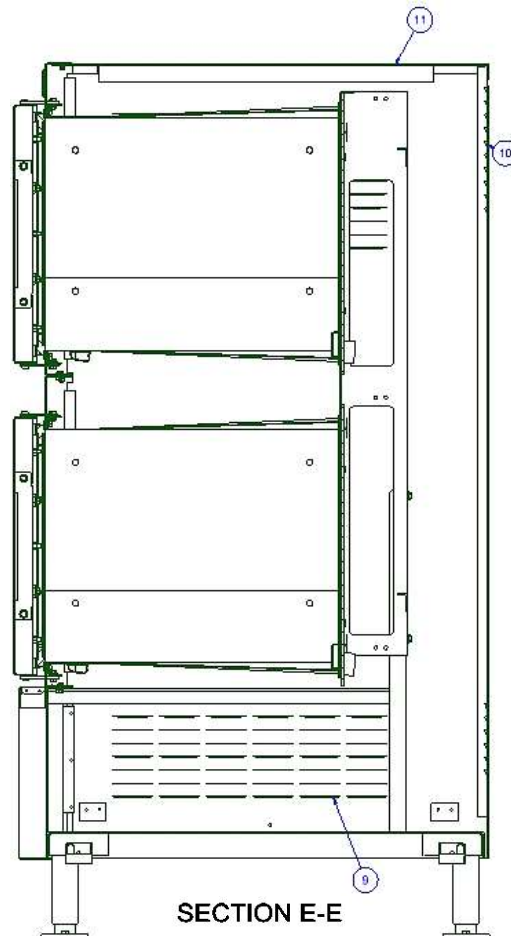
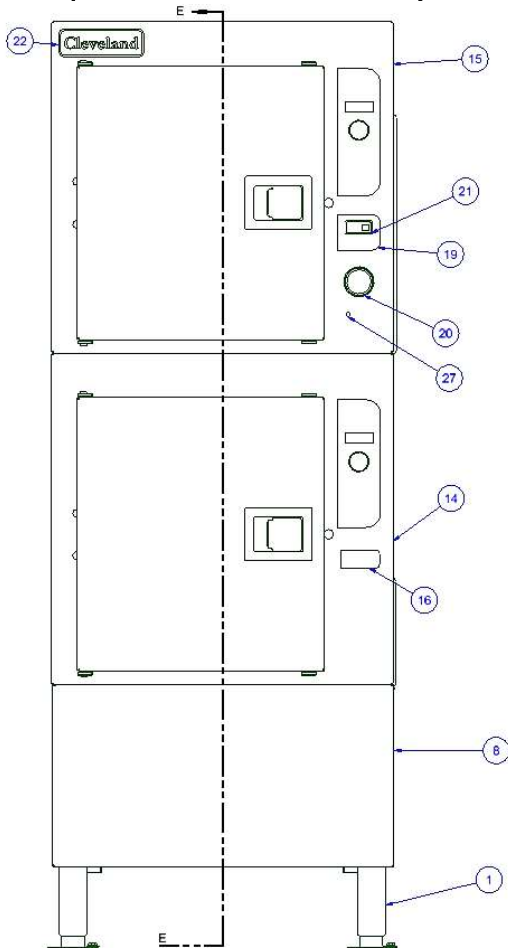
### Parts Manual

**MODEL:**

24CDP10



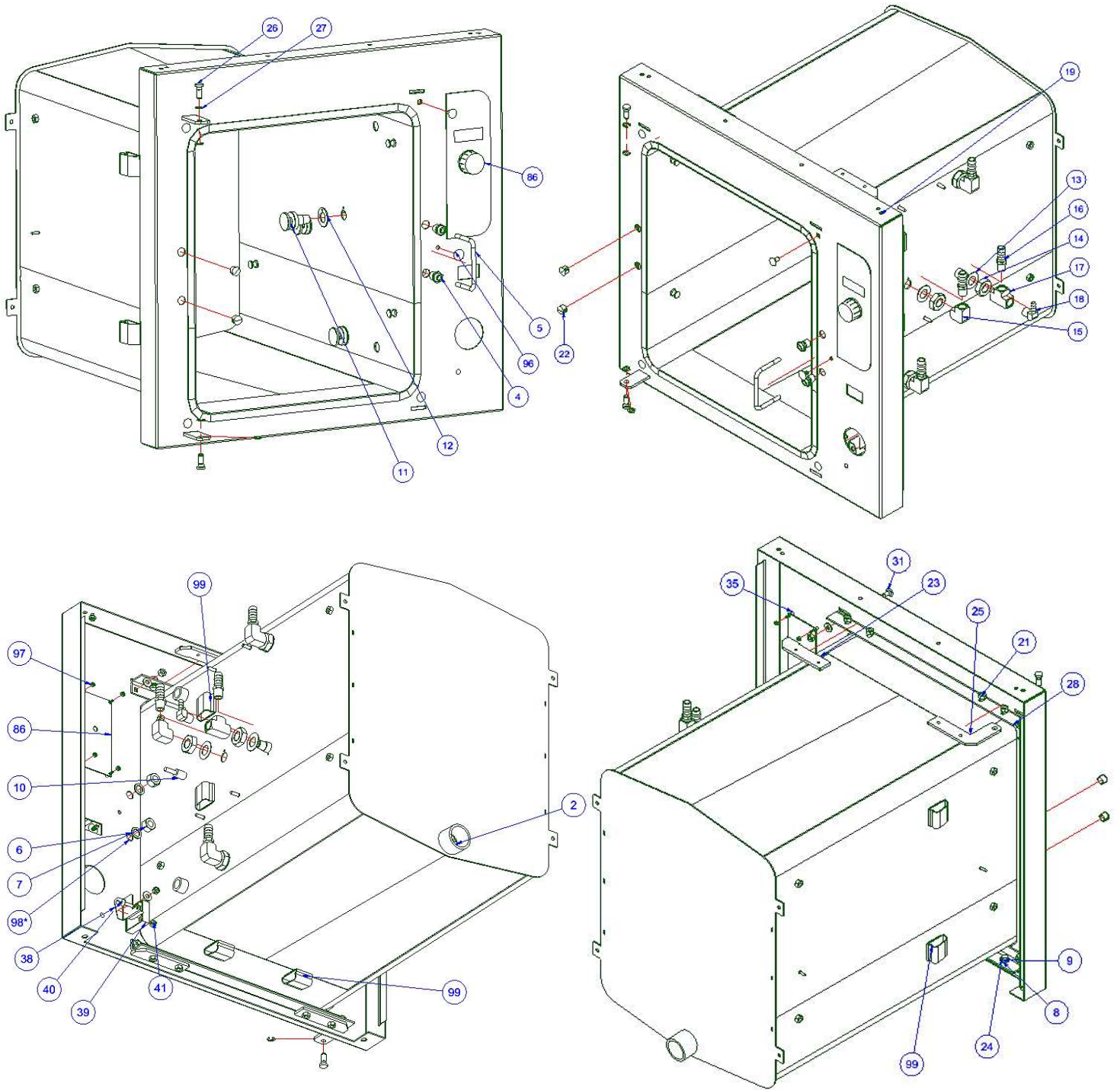
**Description: 24CDP10 General Body Assembly 1**



Item	QTY	Part No.	Description
1	1	KE004137	BASE WELDMENT ASSEMBLY
8	1	KE004182	PANEL, LOWER FRONT, ASSEMBLY
9	1	106043	PANEL, SIDE, LEFT ASSY, STEAMCRAFT 10
10	1	113303	PANEL, BACK STEAMCRAFT 10
11	1	106861	PANEL ASS'Y, TOP-WELD, POWER 10
14	1	KE004134-1	BODY ASSY, HL/HR, EASYTIMER
15	1	KE004134-2	BODY ASSY, HL/HR, EASYTIMER, POWER 10
16	1	KE604706-4	LABEL, MODEL 24CDP10, EASYTIMER
17	1	110203	PANEL ASSY., RIGHT SIDE, TOP HALF, POWER 10
18	1	109440	PANEL ASSY., RIGHT SIDE, BOTTOM HALF
19	1	KE604449	LABEL, ON/ OFF
20	1	07168	GAUGE, PRESSURE, BACK MTD, 15 PSI
21	1	19993	SWITCH, ROCKER, DPDT, ON/OFF 15A, 125V
22	1	105901-1	NAMEPLATE CLEVELAND LOGO
27	1	KE54907-8	PLUG BUTTON, MOUNTING HOLE DIA. 9/32

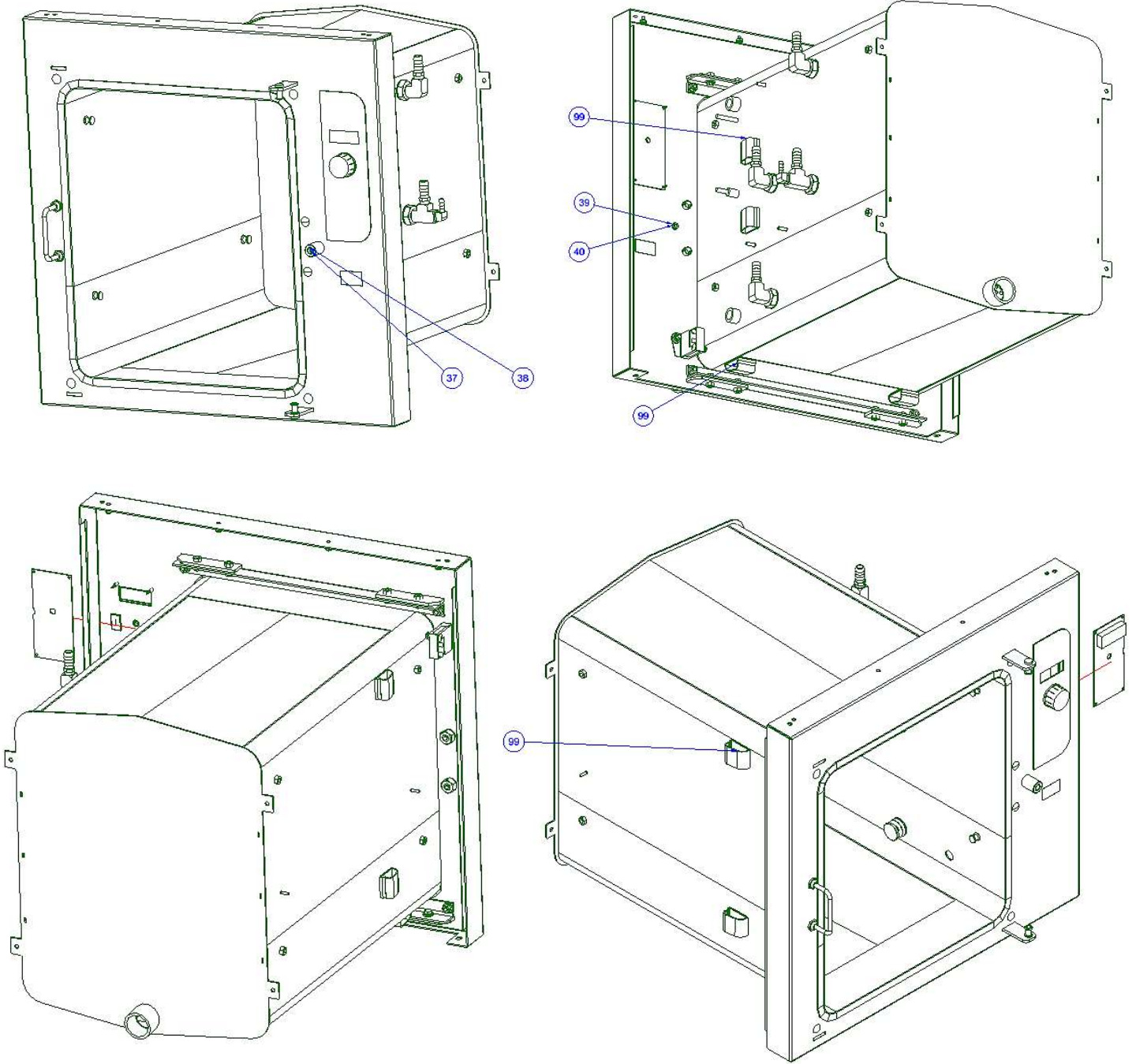
**Assembly Number: KE004134-1 (HL)**

**Description: Compartment Body Assembly, S/C 10, HL Configuration**



**Assembly Number: KE004134-1 (HR)**

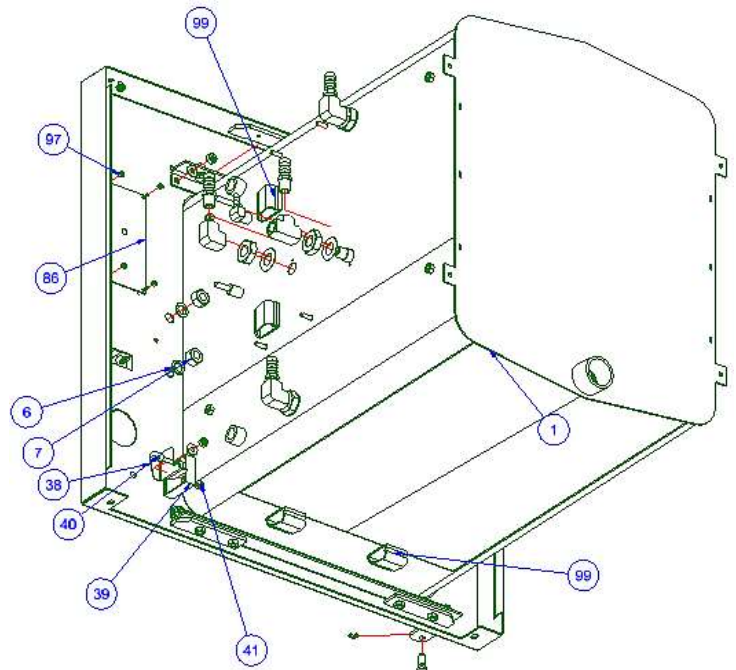
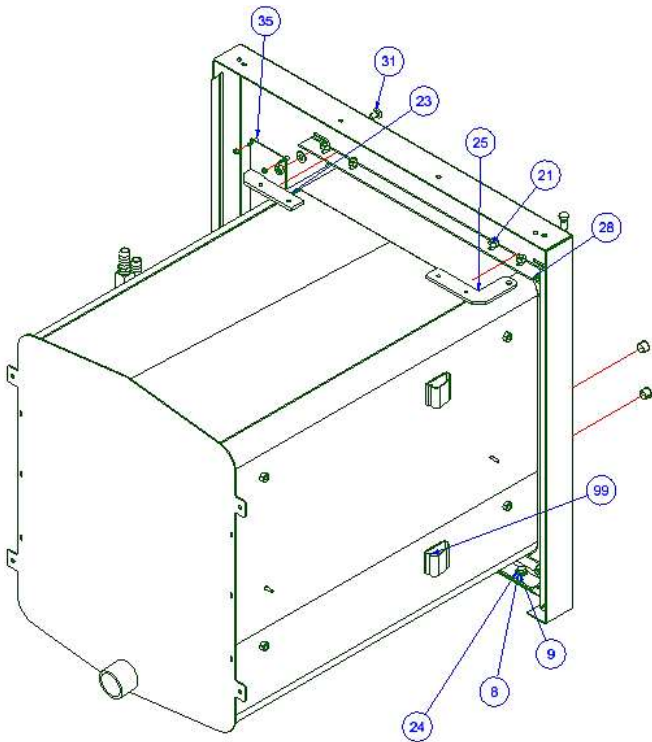
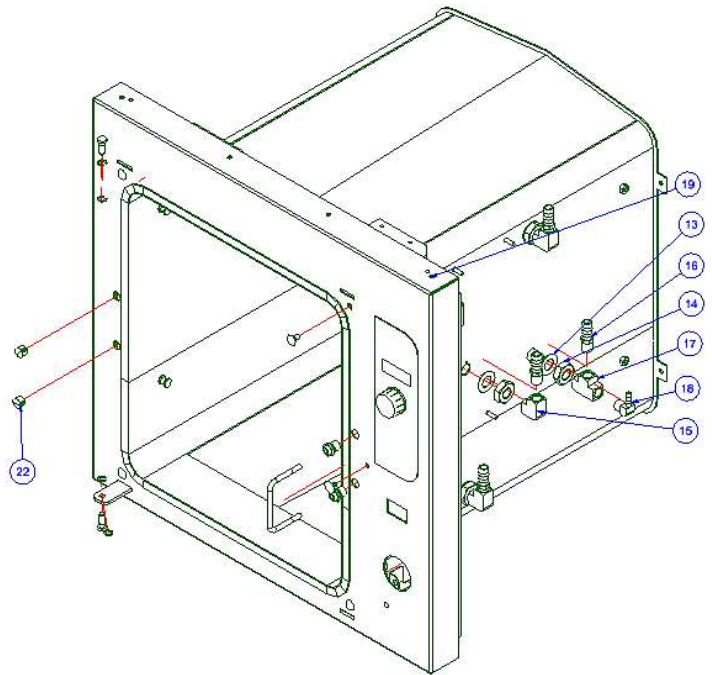
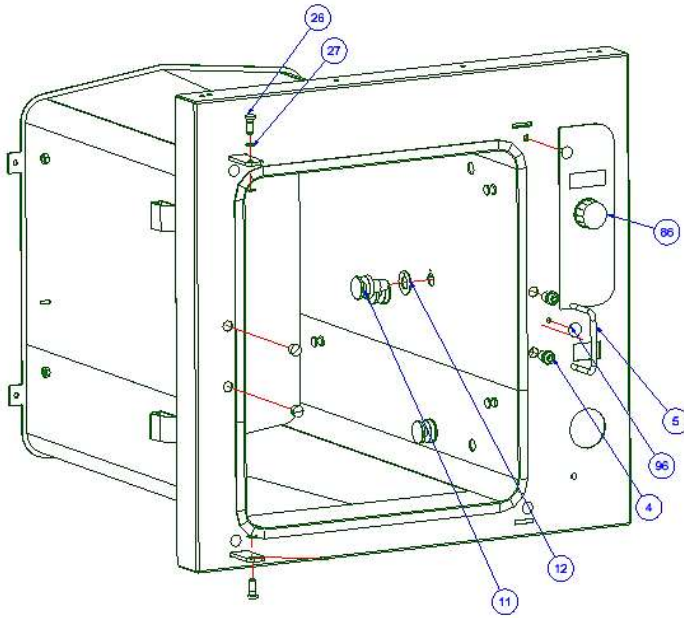
**Description: Compartment Body Assembly, S/C 10, HR Configuration**



Item	QTY	Part NO.	Description
2	1	69298	SCREEN; DRAIN COMPARTMENT (STAINLESS)
3	1	14677	NUT, ACORN, 1/4-20, SST
4	4	14695	NUT, DOOR CATCH MOUNTING
5	1	104046	CATCH, DOOR
6	2	23149	WASHER, NYLON, TYPE 6/6
7	2	14649	NUT, HEX, 1/2-13, ZINC PLTD
8	14	23116	WASHER, FLAT, .281 ID x.625 OD x .065 THK, SST
9	8	23105	WASHER, LOCK, 1/4" KATLINK STYLE, SST
10	1	195552	SPACER, 1/4" I.D. X 1/2 O.D. X 0.688 LG.
11	4	104009	STEAM SUPPLY
12	4	104082	STEAM INJECTOR
13	4	104232	WASHER, FLAT, .640IDx.032x 1.187 OD S/S
14	4	104081	NUT, JAM 5/8-18, BRASS
15	3	05236	ELBOW, 1/4 X 90, BRASS
16	4	104048	FTG; HOSE; BARB; 1/2Hx1/4 NPT
17	1	20199	TEE, 1/4", BRASS
18	1	105786	FTG, HOSE BARB, 1/4Hx1/4MPT, 90°, BRASS
19	4	14672	NUT, HEX, 10-32, ELASTIC LOCK, ZINC PLTD
20	1	104193	INSUL., BODY, SC 5, HL/HR
21	12	14618	NUT, HEX, 1/4-20, STAINLESS STEEL
22	2	KE604471	ROUND PLUG; 9/16 OD; 1/2 HOLE
23	2	KE604468	HINGE, DOOR, BLANK
24	8	19170	SCREW, HEX HD, 1/4-20x5/8, SST
25	2	KE604469	HINGE, DOOR
26	2	104077	PIN, HINGE
27	4	104062	RING, EXT, RETAINING, SST
28	2	KE604467	HINGE, ANGLE
29	4	108644	SCREW, CARRIAGE, 1/4-20x1/2, SST (RND HEAD, SQ NECK)
30	4	KE604586	EASY TIMER SPACER
32	1	KE604151	BRACKET; STEAM CUTOFF SWITCH; 10 PAN STEAMERS
33	2	108880	SWITCH, DOOR STEAM CUTOFF
34	1	109053	SCREW, 10-24 X 0.750 SST, PHILLIPS TRUSS HEAD
35	2	14692	NUT, HEX, 10-24, ELASTIC LOCK, ZINC PLTD, FASTENER
36	1	KE004164	EASY TIMER ASSEMBLY
37	1	FA10245	FA10245
38	1	KE604635	1" HT SBR RUBBER BUMPER
39	1	FA30076	#10 FLAT WASHER ZINC PLATED
40	1	FA20504-2	8-32 KEPS NUT ZC
41	1	KE604638	0.250" PLASTIC PUSH IN RIVET
42	4	KE604587	NUT FOR EASY TIMER
98	1	114169-1	DOOR ASSY, SC5/10/10.2
99	6	23432	CLIP, MOUNTING; WIRE/CABLE

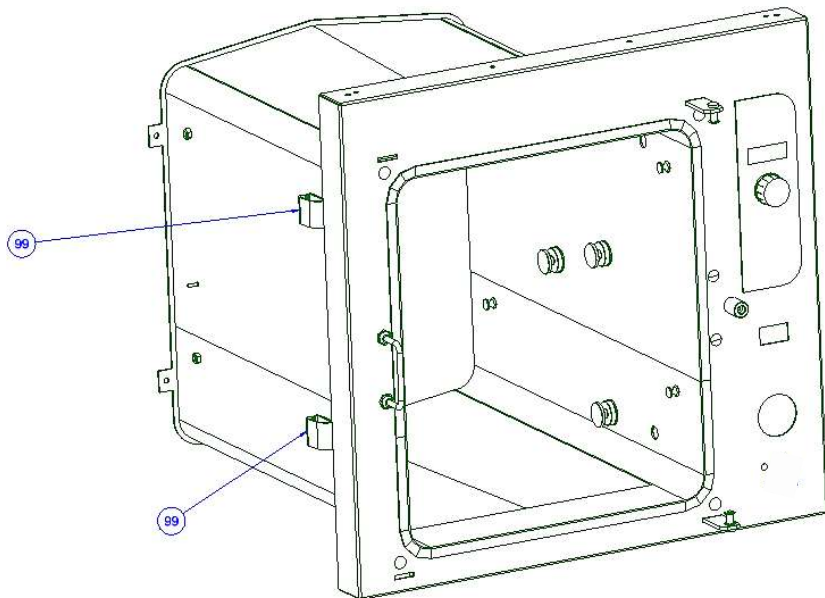
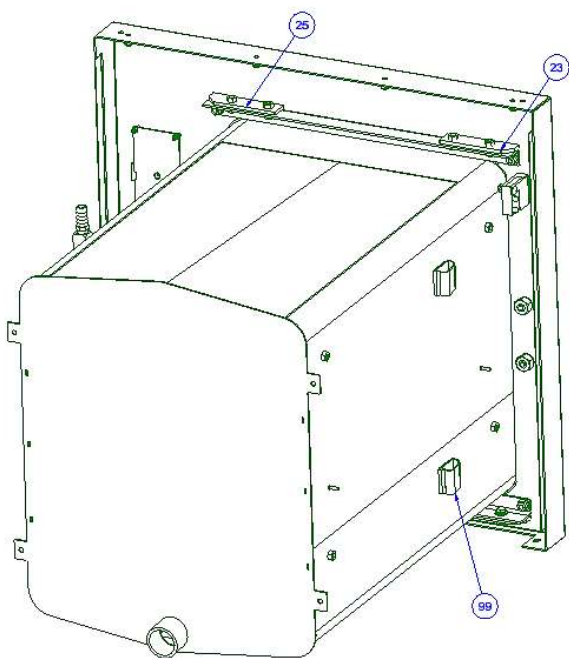
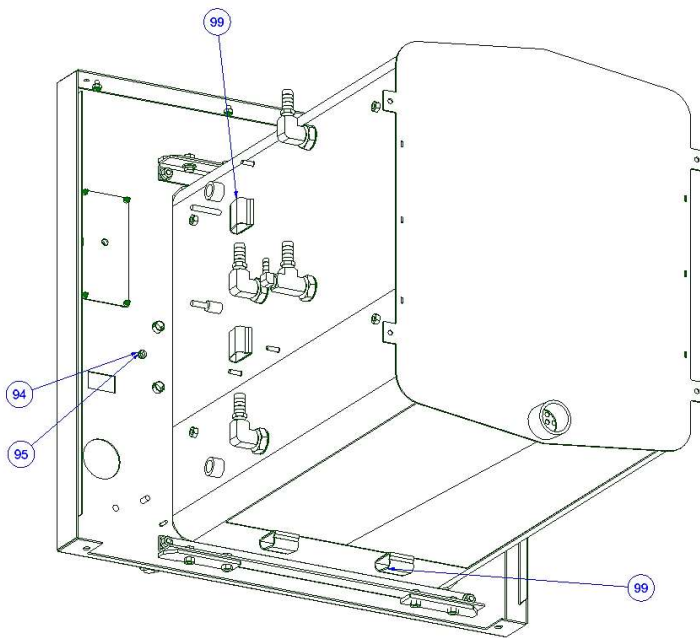
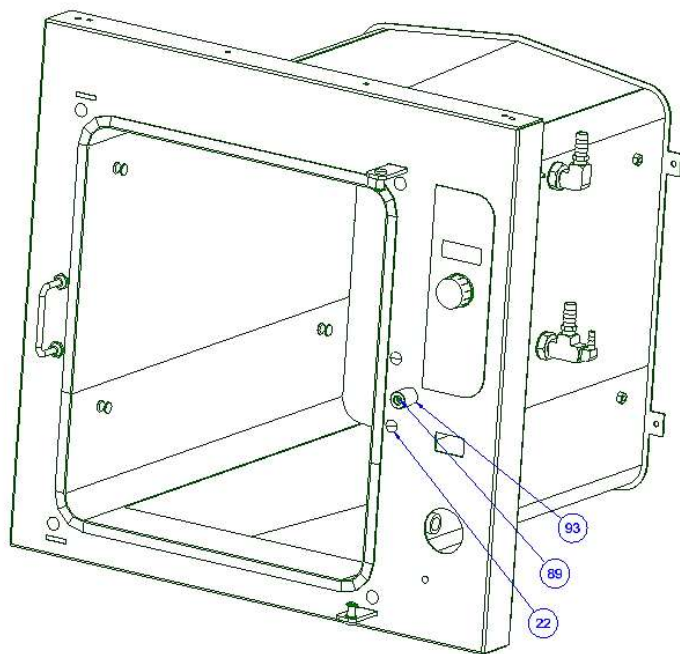
Assembly Number: KE004134-2 (HL)

Description: Compartment Body Assembly, S/C 10, HL Configuration



Assembly Number: KE004134-2 (HR)

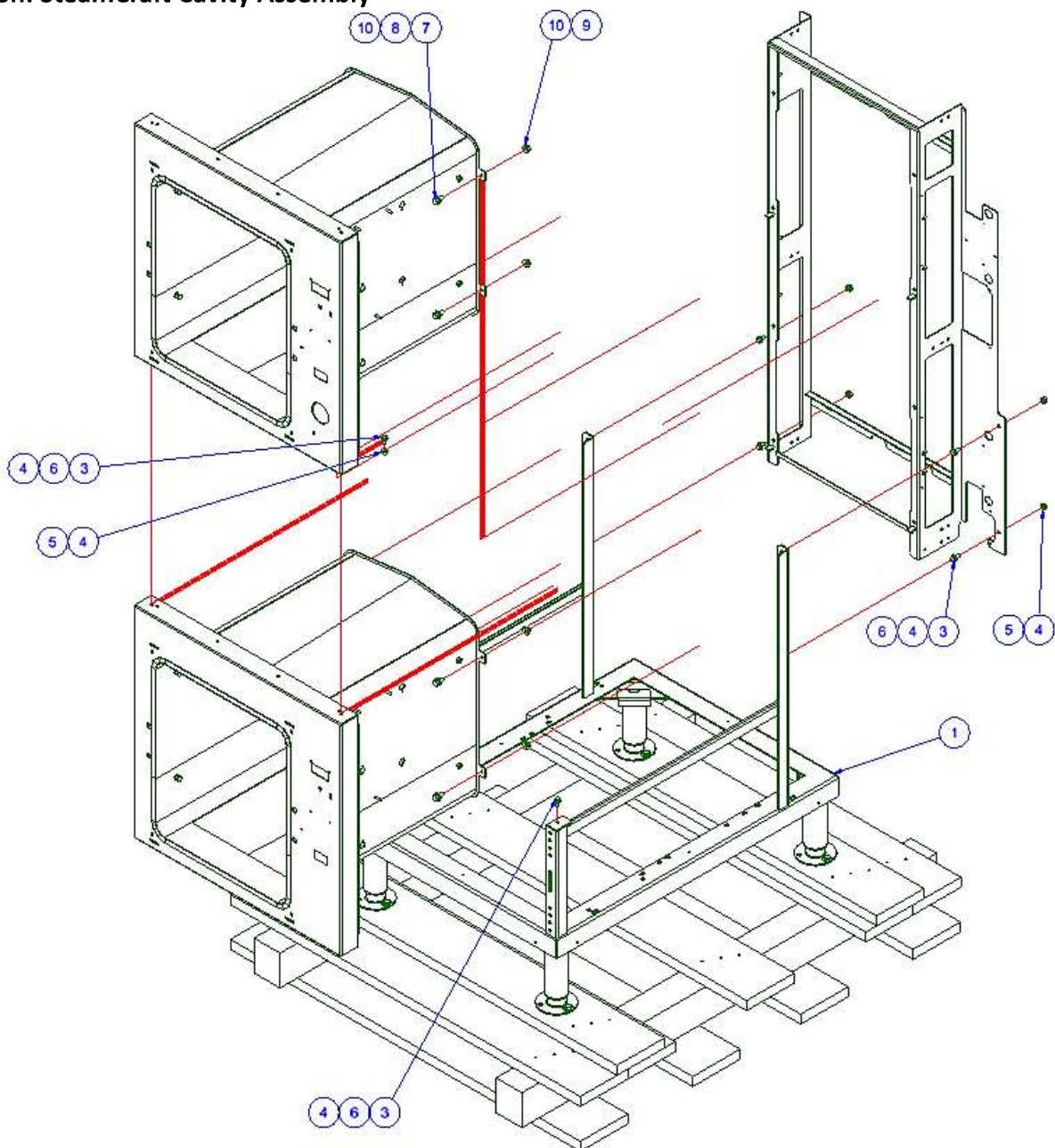
Description: Compartment Body Assembly, S/C 10, HR Configuration



Item	QTY	Part No.	Description
2	1	69298	SCREEN; DRAIN COMPARTMENT (STAINLESS)
3	1	14677	NUT, ACORN, 1/4-20, SST
4	4	14695	NUT, DOOR CATCH MOUNTING
5	1	104046	CATCH, DOOR
6	2	23149	WASHER, NYLON, TYPE 6/6
7	2	14649	NUT, HEX, 1/2-13, ZINC PLTD
8	14	23116	WASHER, FLAT, .281 ID x.625 OD x .065 THK, SST
9	8	23105	WASHER, LOCK, 1/4" KATLINK STYLE, SST
10	1	195552	SPACER, 1/4" I.D. X 1/2 O.D. X 0.688 LG.
11	4	104009	STEAM SUPPLY
12	4	104082	STEAM INJECTOR
13	4	104232	WASHER, FLAT, .640IDx.032x 1.187 OD S/S
14	4	104081	NUT, JAM 5/8-18, BRASS
15	3	05236	ELBOW, 1/4 X 90, BRASS
16	4	104048	FTG; HOSE; BARB; 1/2Hx1/4 NPT
17	1	20199	TEE, 1/4", BRASS
18	1	105786	FTG, HOSE BARB, 1/4Hx1/4MPT, 90°, BRASS
19	4	14672	NUT, HEX, 10-32, ELASTIC LOCK, ZINC PLTD
20	1	104193	INSUL., BODY, SC 5, HL/HR
21	12	14618	NUT, HEX, 1/4-20, STAINLESS STEEL
22	2	KE604471	ROUND PLUG; 9/16 OD; 1/2 HOLE
23	2	KE604468	HINGE, DOOR, BLANK
24	8	19170	SCREW, HEX HD, 1/4-20x5/8, SST
25	2	KE604469	HINGE, DOOR
26	2	104077	PIN, HINGE
27	4	104062	RING, EXT, RETAINING, SST
28	2	KE604467	HINGE, ANGLE
31	4	108644	SCREW, CARRIAGE, 1/4-20x1/2, SST (RND HEAD, SQ NECK)
35	4	KE604586	EASY TIMER SPACER
38	1	KE604151	BRACKET; STEAM CUTOFF SWITCH; 10 PAN STEAMERS
39	2	108880	SWITCH, DOOR STEAM CUTOFF
40	1	109053	SCREW, 10-24 X 0.750 SST, PHILLIPS TRUSS HEAD
41	2	14692	NUT, HEX, 10-24, ELASTIC LOCK, ZINC PLTD, FASTENER
86	1	KE004164	EASY TIMER ASSEMBLY
89	1	FA10245	FA10245
93	1	KE604635	1" HT SBR RUBBER BUMPER
94	1	FA30076	#10 FLAT WASHER ZINC PLATED
95	1	FA20504-2	8-32 KEPS NUT ZC
96	1	KE604638	0.250" PLASTIC PUSH IN RIVET
97	4	KE604587	NUT FOR EASY TIMER
98	1	114169-1	DOOR ASSY, SC5/10/10.2
99	6	23432	CLIP, MOUNTING; WIRE/CABLE

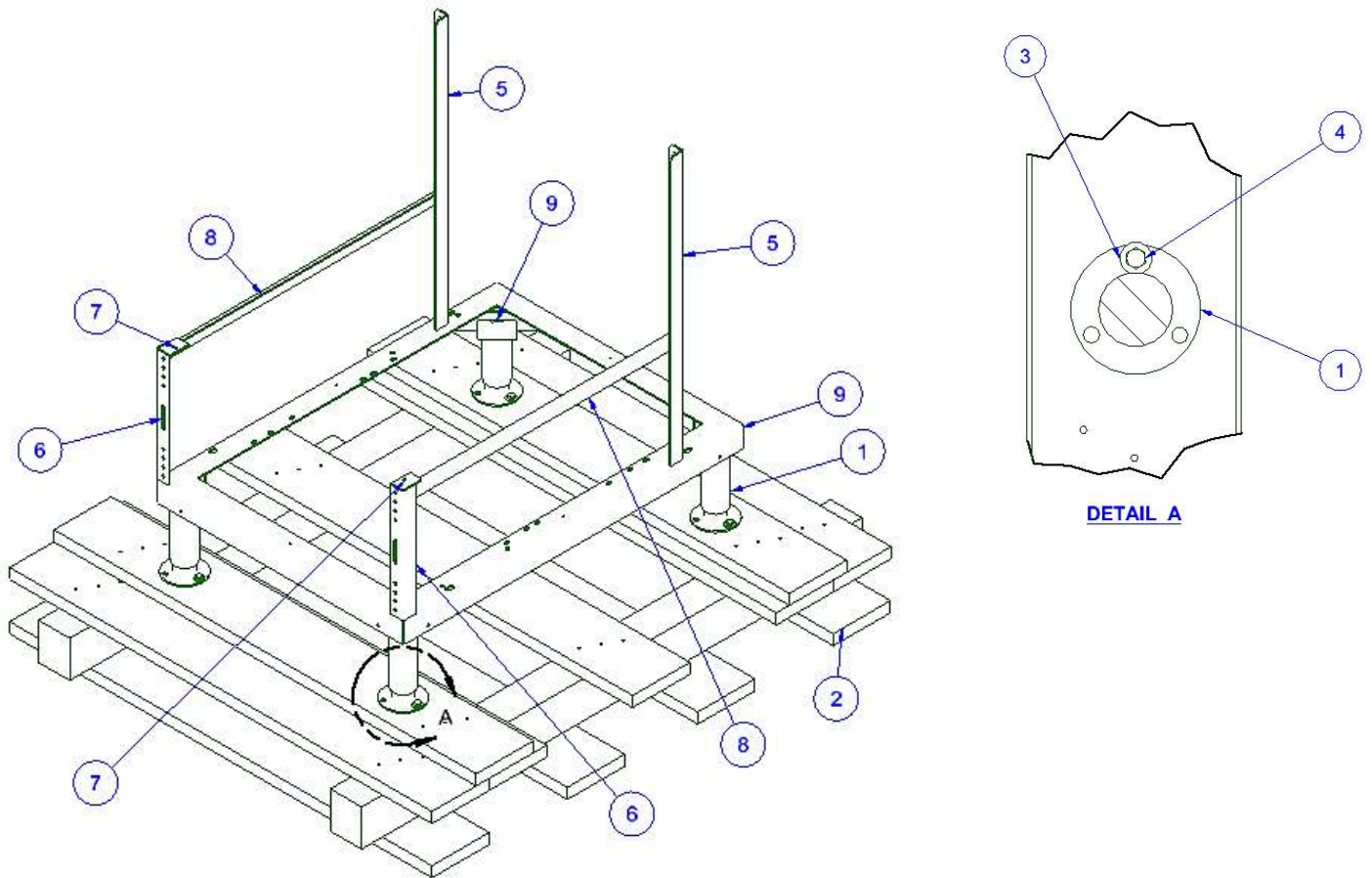
Assembly Number: KE004138-2

Description: SteamCraft Cavity Assembly



Item	QTY	Part NO.	Description
1	1	KE004137	BASE WELDMENT ASSEMBLY
2	1	KE004136	CAVITY, BACK, WELD ASSEMBLY
3	8	19170	SCREW, HEX HD, 1/4-20x5/8, SST
4	14	23116	WASHER, FLAT, .281 ID x.625 OD x .065 THK, SST
5	6	14618	NUT, HEX, 1/4-20, STAINLESS STEEL
6	8	23105	WASHER, LOCK, 1/4" KATLINK STYLE, SST
7	8	19228	SCREW, 5/16-18 X 0.750, HEX HD, SST
8	8	23106	WASHER, 5/16 LOCK SPLIT RING, MEDIUM, SST
9	8	14652	NUT, HEX, 5/16-18, SST
10	16	23134	WASHER, FLAT, 5/16 ID 3/4 OD 1/16 THK., ZINK PLTD
11	1	KE004135-1	CAVITY WELDT ASSY; EASYTIMER; HL
12	1	KE004135-2	CAVITY WELDT ASSY; EASYTIMER, POWER 10

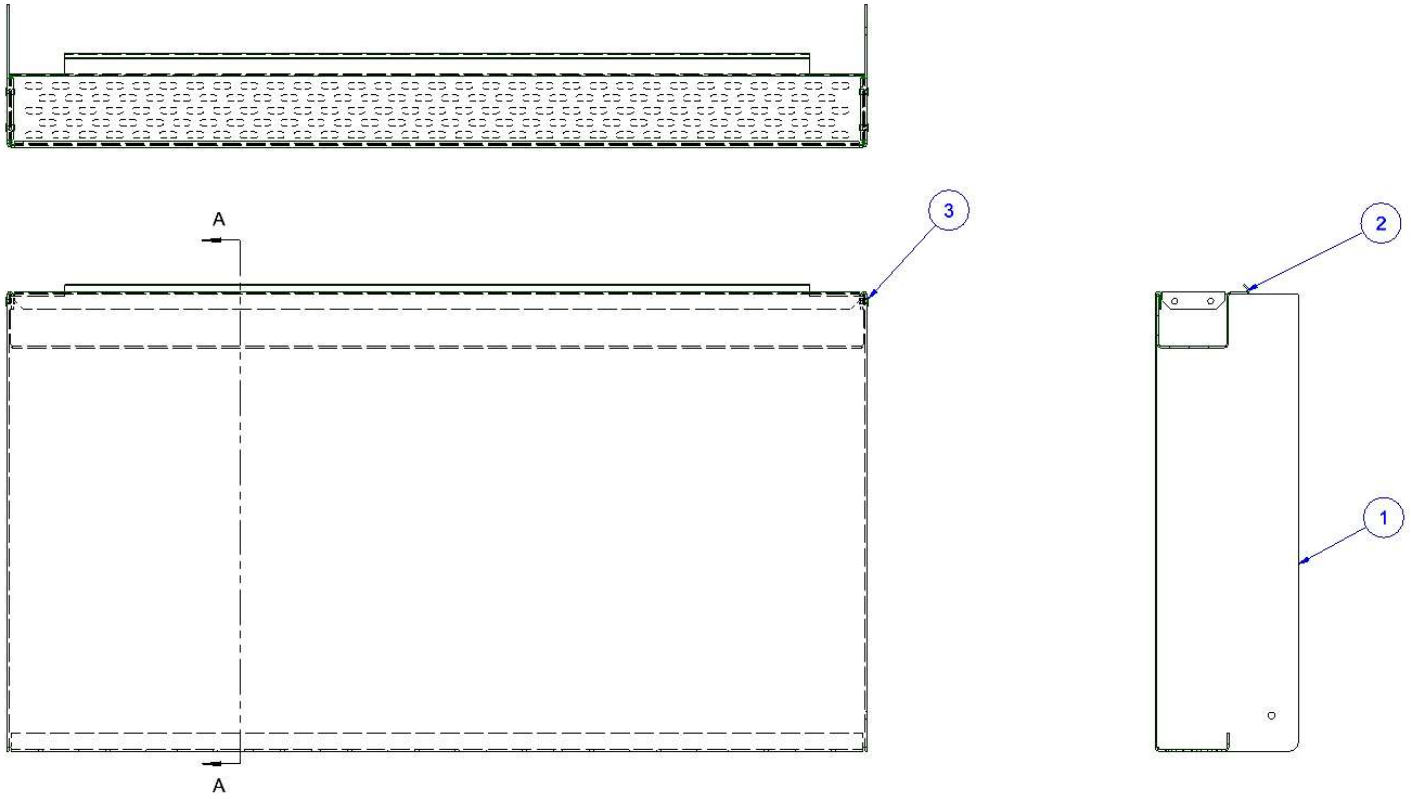
**Assembly Number: KE004137**  
**Description: Base Weldment Assembly**



Item	QTY	Part NO.	Description
1	4	06162	FOOT, 6.00" ADJUSTABLE, FLANGED/TRI-BOLT HOLE PATTERN
2	1	41915	PALLET, SHIPPING, 1050MM BASE
3	4	23136	WASHER, FLAT, 3/8"ID, 7/8"OD, 1/16"THK, SST
4	4	108203	SCREW; HEX HD LAG; ZINC PLTD; 5/16 X 1-1/4
5	2	KE604483	LEG, REAR
6	2	KE604484	LEG, FRONT
7	2	KE604485	FRONT BRACE
8	2	KE604486	SIDE BRACE
9	1	KE004140	FRAME ASS'Y LOWER SUPPORT

Assembly Number: KE004182

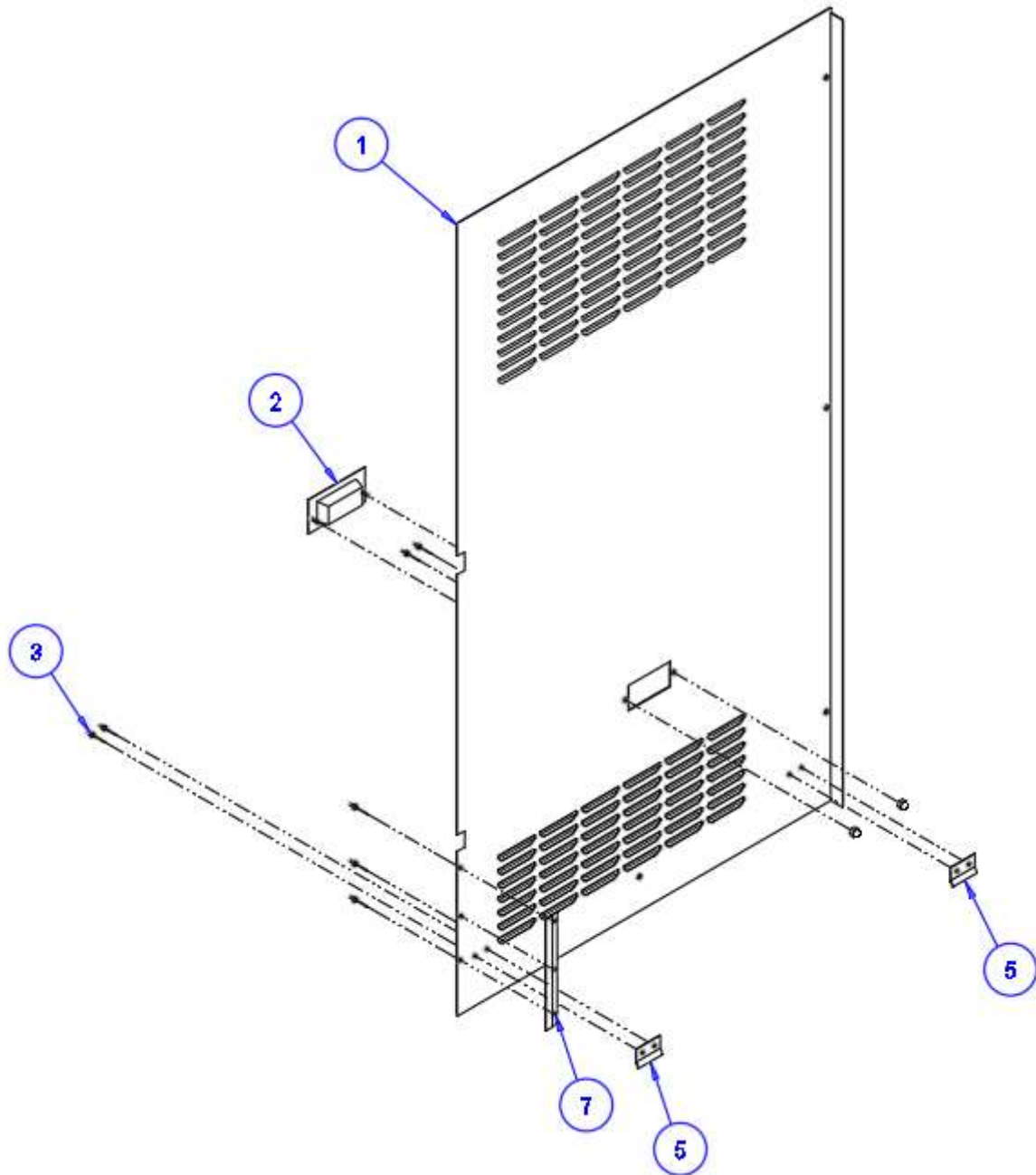
Description: Lower Front Panel Assembly



Item	QTY	Part NO.	Description
1	1	11000115794	PANEL, LOWER FRONT, SC10
2	1	KE604575	TRAY, DRIP, SC 10, 2 IN WIDE
3	4	18357	RIVET, FLUSH BREAK, 0.125 DIA, 0.126/0.187 GRIP, SST

Assembly Number: 106043

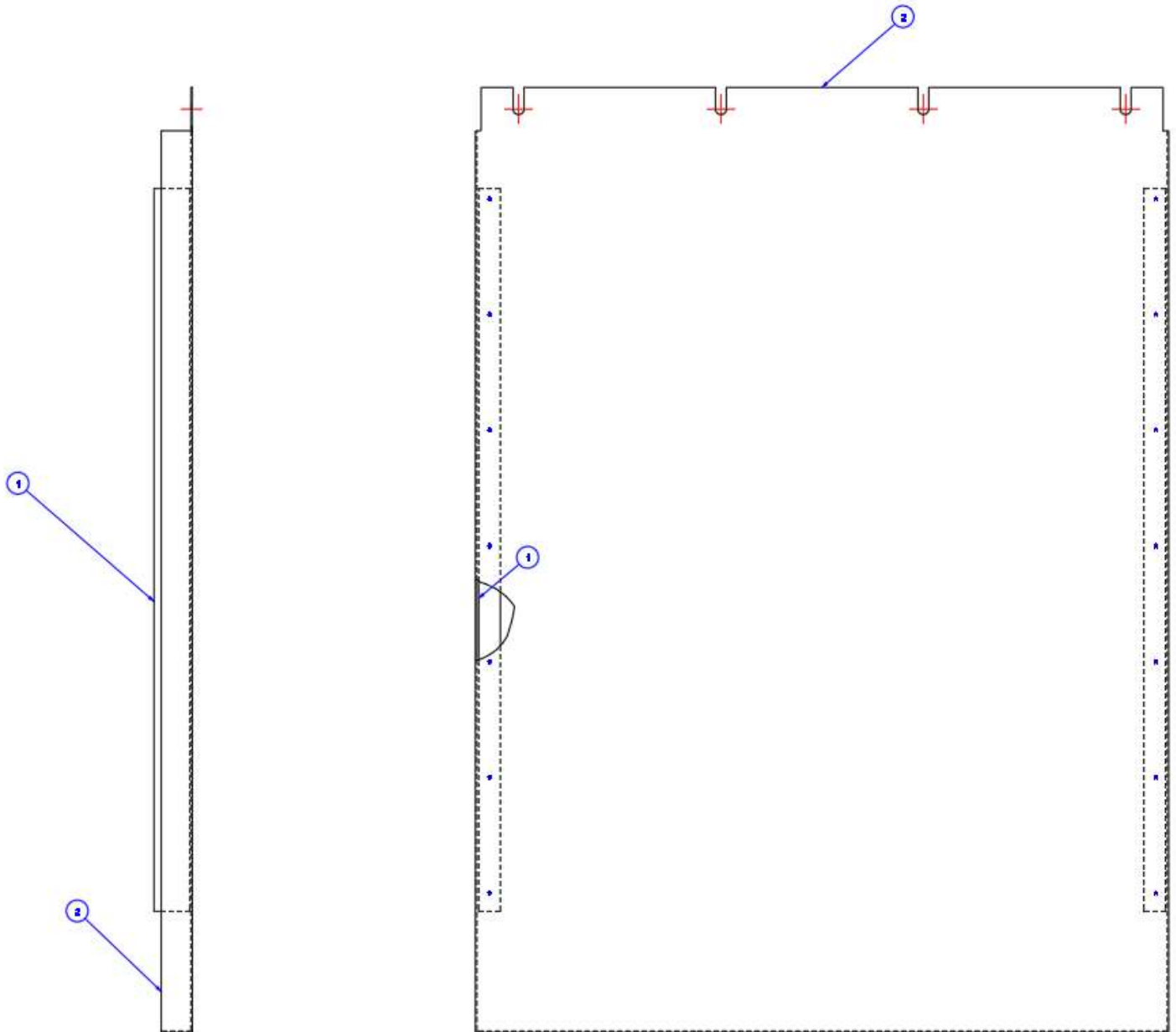
Description: Side Panel Assembly, Left



Item	QTY	Part NO.	Description
1	1	105669	PANEL, SIDE, LEFT, S/C 6 & 10
2	1	08108	HANDLE, DOOR, W/ACORN NUTS
3	7	18357	RIVET, FLUSH, 1/8, SST
5	2	106045	BRACKET, SIDE SUPPORT, SHORT
7	1	1061431	BRACKET, RETAINER

Assembly Number: 106865

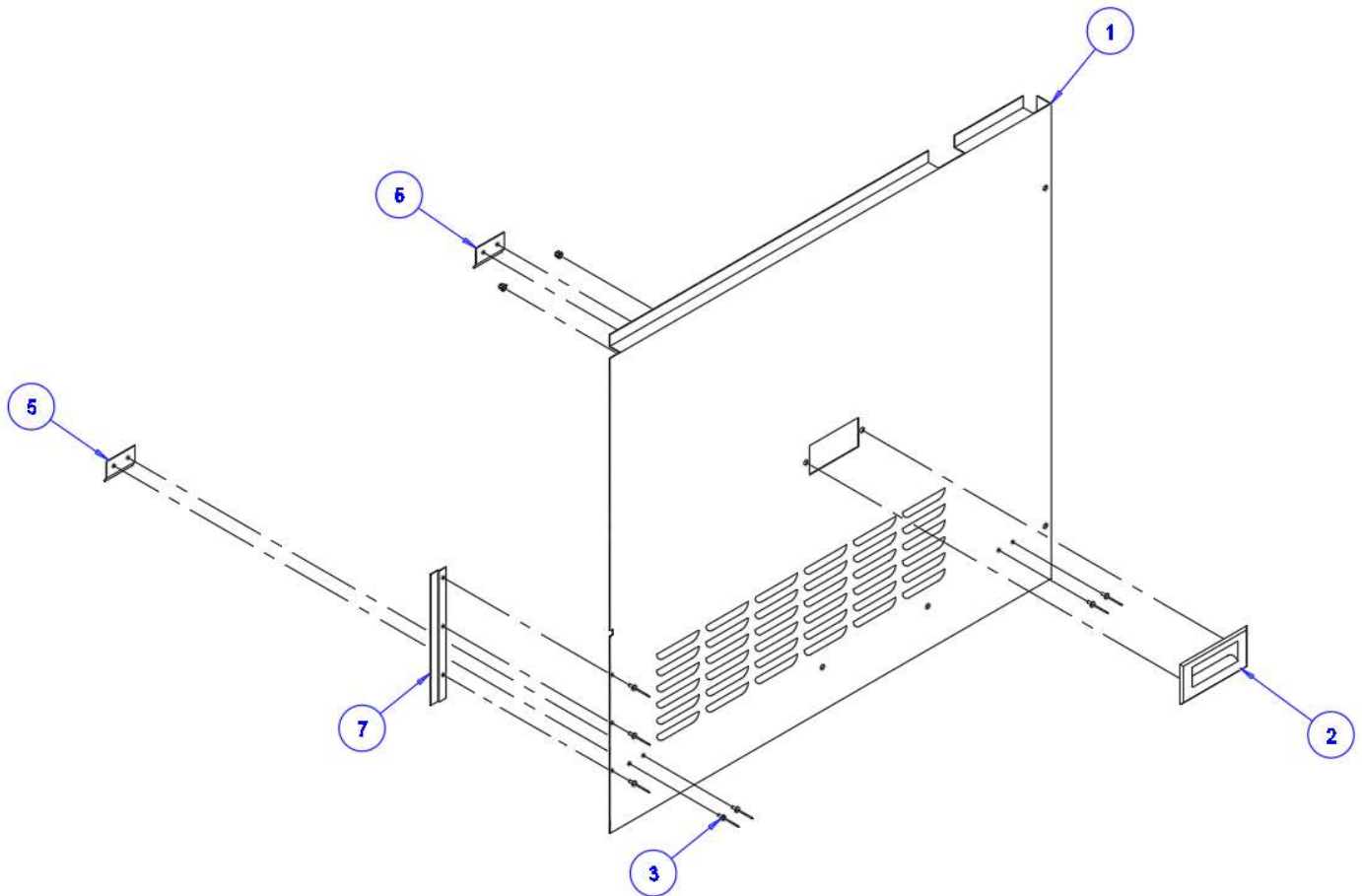
Description: Top Panel



Item	QTY	Part NO.	Description
1	2	105665	BRACKET, SHEETING RETAINER, TOP
2	1	106864	SHEETING, TOP PANEL, S/C 10, DIRECT

Assembly Number: 107272

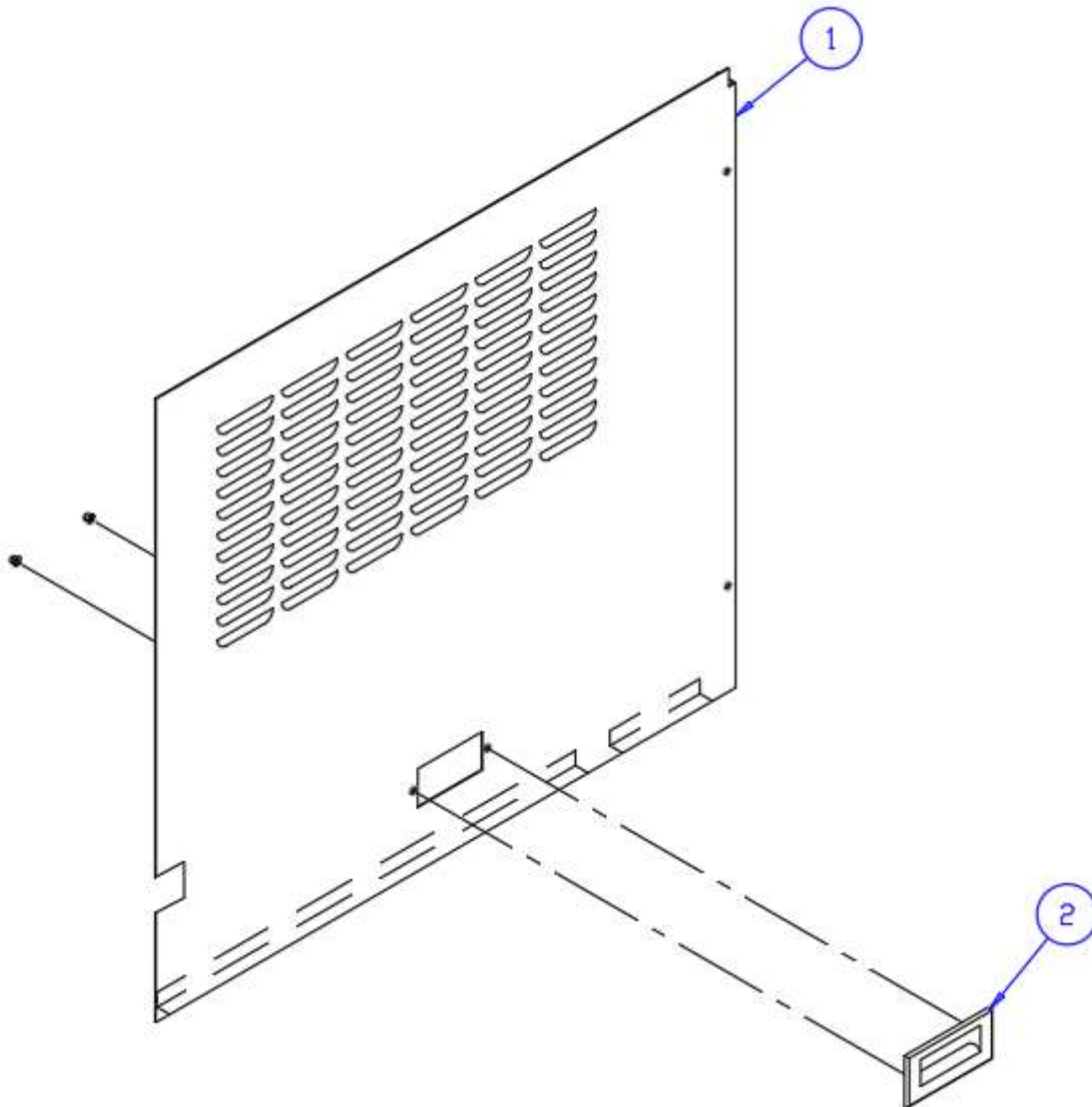
Description: Right Side, Bottom Half Panel Assembly



Item	QTY	Part NO.	Description
1	1	1071201	PANEL, R.S.-WELD, BTM. HALF
2	1	08108	HANDLE, DOOR, W/10-32 ACORN NUTS
3	7	18357	RIVET, FLUSH, 1/8" S/S
5	2	106045	BRACKET, SIDE SUPPORT, SHORT
7	1	1061431	BRACKET, RETAINER

Assembly Number: 107273

Description: Right Side, Top Half Panel Assembly



Item	QTY	Part NO.	Description
1	1	107121	PANEL, SIDE, RIGHT, TOP HALF
2	1	08108	HANDLE, DOOR, W/10-32 ACORN NUTS

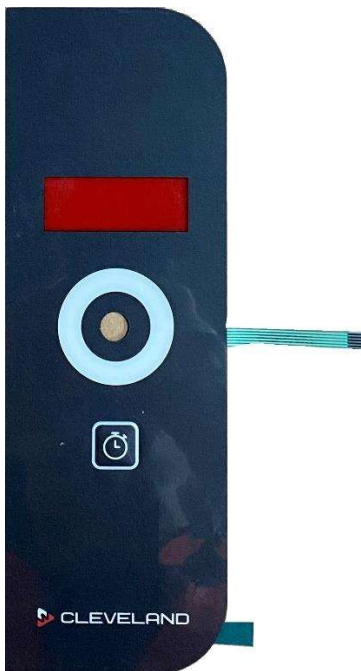
**Assembly Number: KE004164**  
**Description: Easy Timer Assembly**



KE604176 EasyTimer Control/Timer Knob



KE604710 EasyTimer Plastic Insert

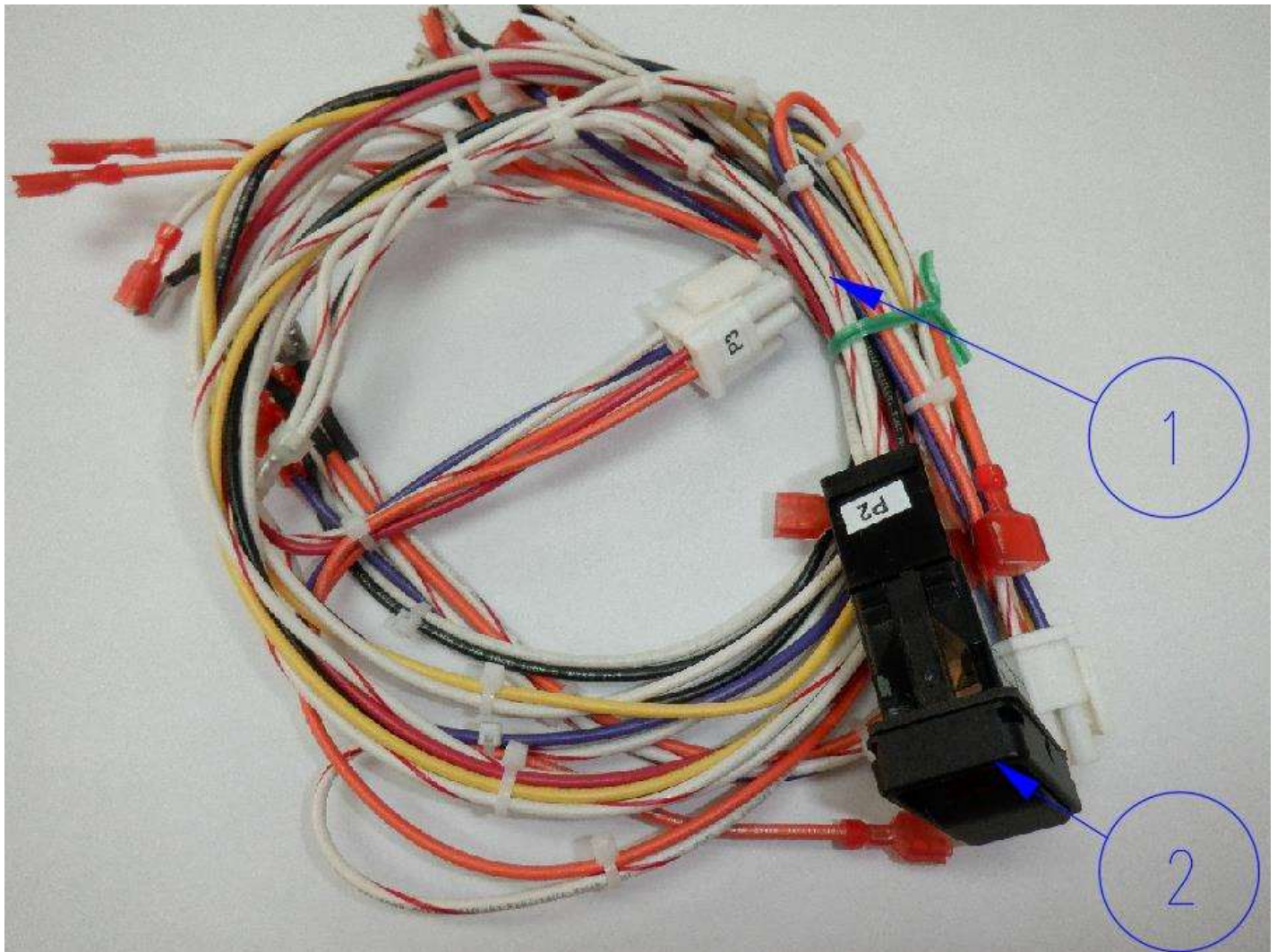


KE604518 EasyTimer Overlay



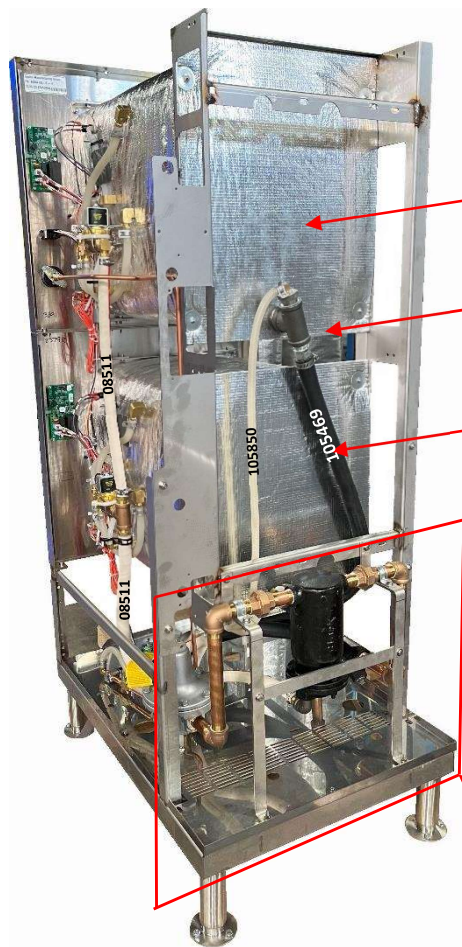
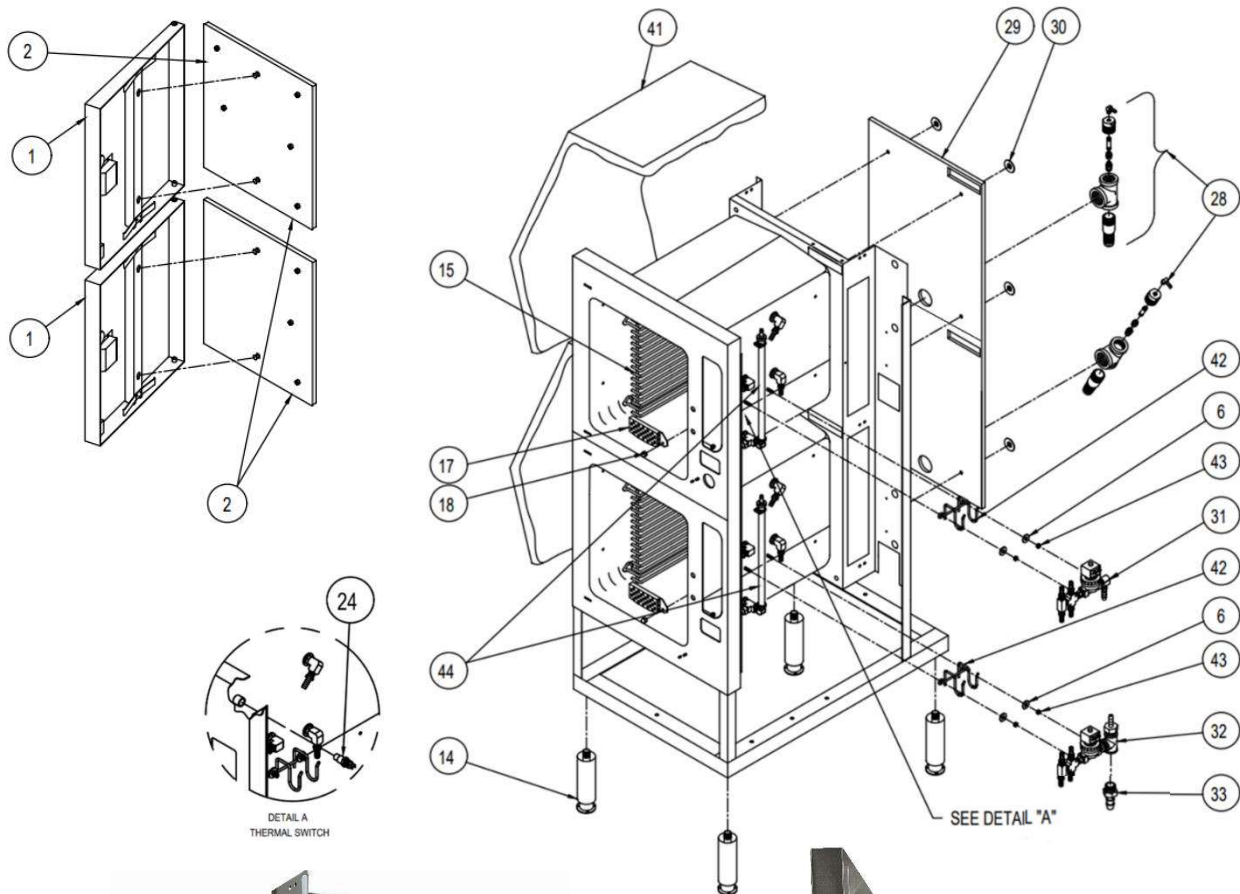
KE604517 EasyTimer PCB

**Assembly Number: T300252**  
**Description: Easy Timer Wiring Harness**

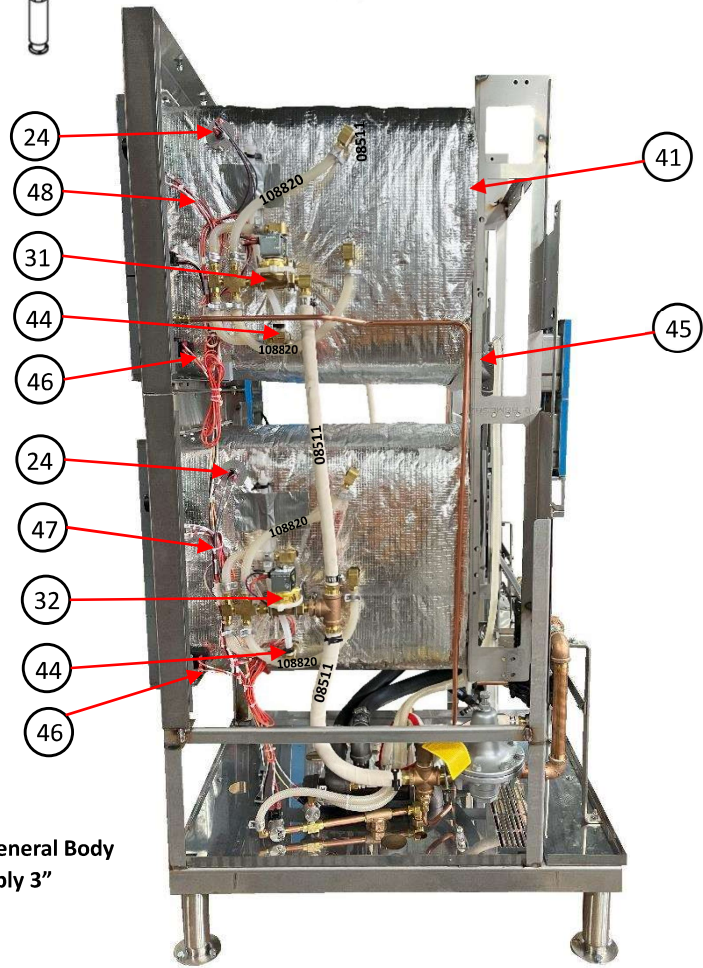


Item	QTY	Part NO.	Description
1	1	300252	WIRE HARNESS, MAIN S/C 10, DIRECT CONNECT
2	1	19993	SWITCH, ROCKER ILLUMINATED MAINTAINED CONTACT

**Description: 24CDP10 General Body Assembly 2**



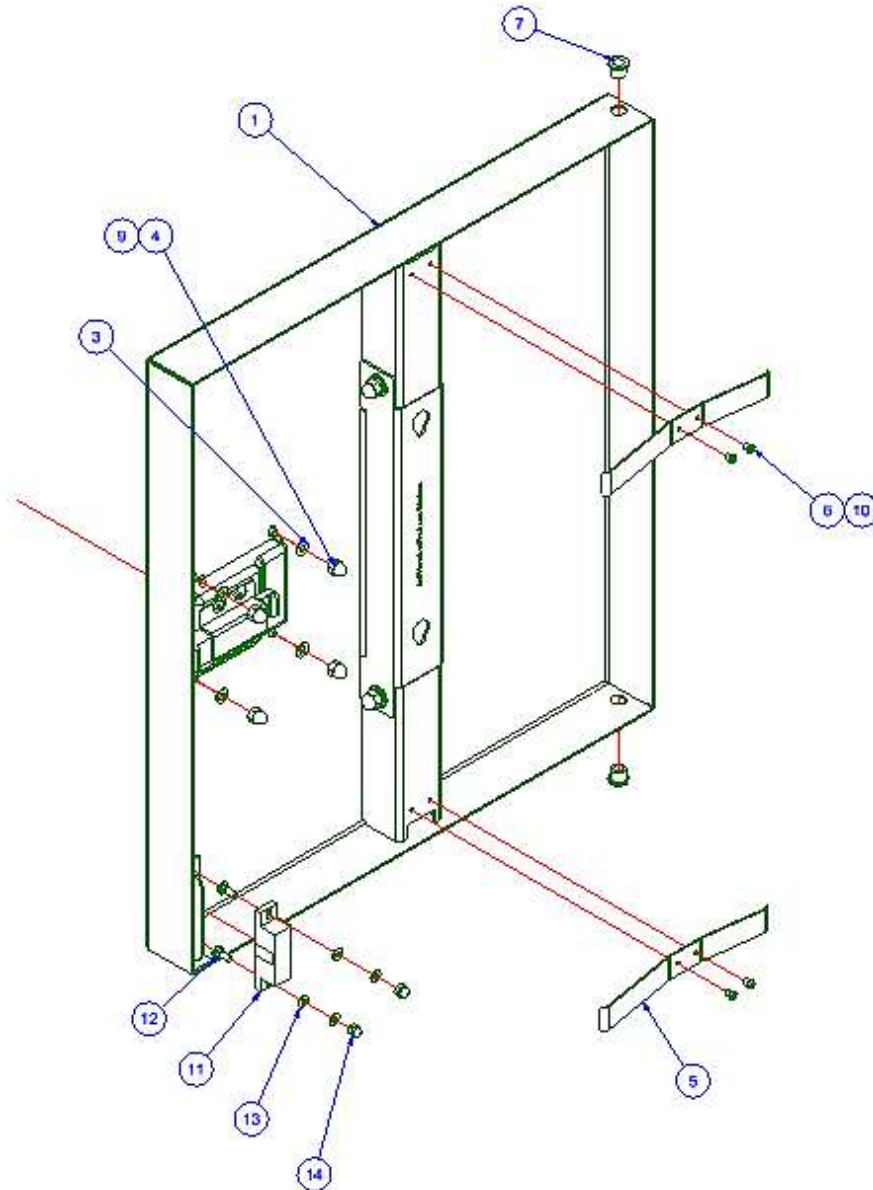
See "General Body Assembly 3"



Item	QTY	Part NO.	Description
1	2	114173-1	DOOR, OUTER ASSEMBLY, HL/HR SC5/10/10.2
2	2	104202	DOOR, INNER ASSEMBLY, 5 PAN COMPARTMENT
6	20	23116	WASHER, FLAT, .281 ID x.625 OD x .065 THK, SST
14	4	06162	FOOT, 6.00" ADJUSTABLE, FLANGED/TRI-BOLT HOLE PATTERN
15	4	414232	RACK ASSEMBLY, WIRE PAN STEAMCRAFT ULTRA 5/10
17	2	69298	SCREEN, DRAIN COMPARTMENT
18	2	146771	NUT, ACORN, THRD LOCK, 1/4-20, SST
24	2	19972	SWITCH, THERMAL CLOSE 193 DEG. F
28	2	1061712	DRAIN ASSEMBLY STEAMCRAFT 10
29	2	KE604578-1	INSULATION, REAR WALL GEMINI 6 SHORT & 10-PAN
30	10	101953	CLIP, INSULATION RETAINER, 1-1/2, .105 HOLE, GALV
31	1	106691	STEAM INLET ASSY, UPPER COMPT. STEAMCRAFT 10, GAS, PRESSURE
32	1	106692	STEAM INLET ASSY, LOWER COMPT, STEAMCRAFT 10, GAS, PRESSURE
33	2	06240	FITTING HOSE BARB-3/4" I.D.HOSE X 3/4 MPT
41	2	104193	INSULATION, BODY SC 5.1
42	2	106752	BRACKET, WIRE, VALVE SUPPORT
43	4	14692	NUT, HEX, 10-24, ELASTIC LOCK, ZINC PLTD, FASTENER
44	2	1070591	BREATHER/SPRAY NOZZLE ASSEMBLY
45	A/R	00729	TUBING, COPPER SEAMLESS
46	2	KE003930	DOOR STEAM CUTOFF SWITCH ASSEMBLY
47	1	WHKE004235-1	WIRING HARNESS, LOWER EZT
48	1	WHKE004235-2	WIRING HARNESS, UPPER EZT

Hose	Description	Clamp	Description
08511	HOSE, WHITE, EPDM, 3/4" ID	107312	CLAMP, HOSE, METAL TENSION BAND, 1-1/8" OD, BLACK
108820	HOSE, SILICON, 1/2" ID x 1/8" WALL	1073122	CLAMP, HOSE, METAL TENSION BAND, 3/4" OD, SILVER
105469	HOSE, WHITE, EPDM, 3/4" ID	03204	CLAMP, HOSE, WORM DRIVE 0.812 X 1.50 DIA

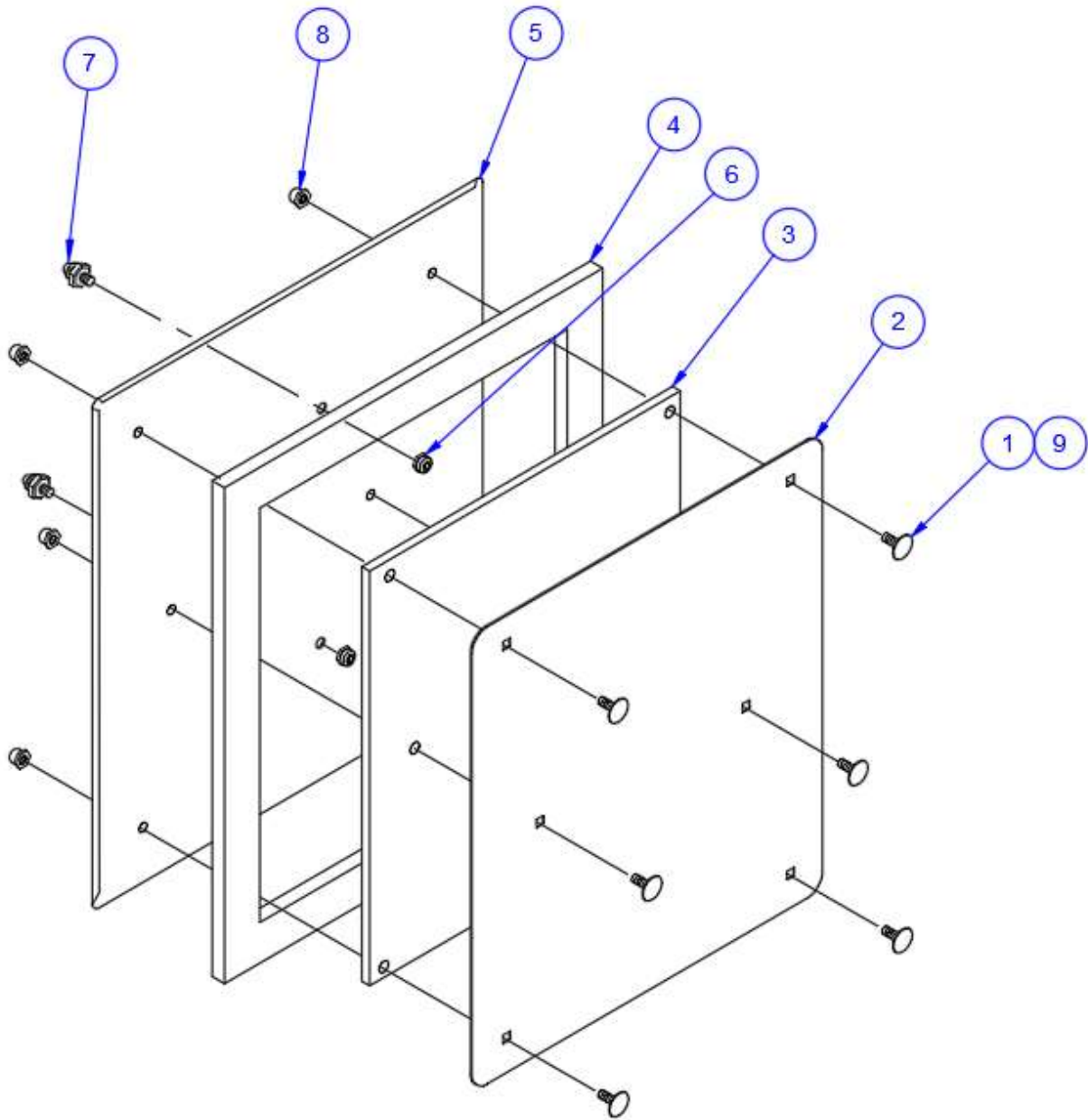
**Assembly Number: 114173-1**  
**Description: Outer Door Assembly**



Item	QTY	Part NO.	Description
1	1	114175-1	DOOR, OUTER, WELD, HL/HR
3	4	101655	WASHER, FLAT, #10, SST
4	4	11000115589	NUT, #10-24, HIGH CROWN ACORN, SST
5	2	102228	SPRING, DOOR, 3/5 PAN
6	4	18357	RIVET, FLUSH BREAK, 0.125 DIA, 0.126/0.187 GRIP, SST
7	2	103641	BUSHING, DOOR HINGE
9	A/R	104146	LOCTITE #222 LOW STRENGTH
10	A/R	00933	SEALANT, RTV, CLEAR
11	1	108879	MAGNET, DOOR STEAM CUTOFF
12	2	111592	SCREW, 8-32 X 1/2 CARRIAGE HEAD, SST
13	4	101336	WASHER, FLAT, #8, SST
14	2	109164	NUT, HEX, ACORN, 8-32, SST, W/ THREAD LOC
15	1	103643	LATCH, DOOR-PADDLE TYPE

Assembly Number: 104202

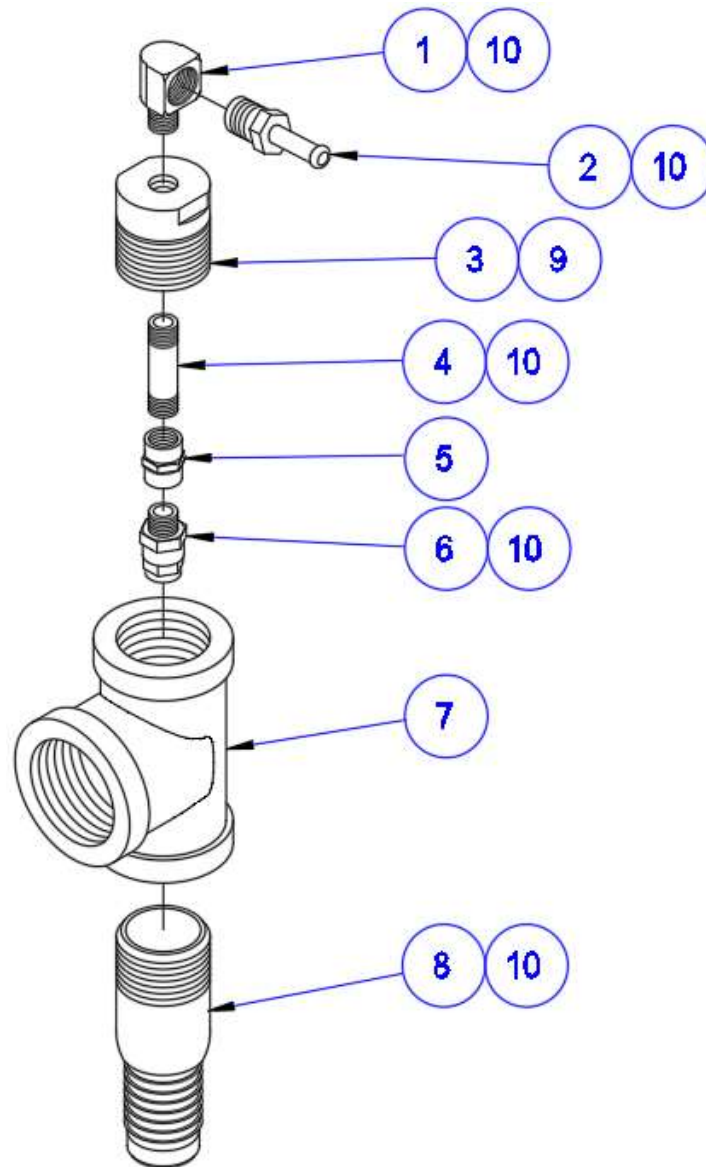
Description: Inner Door Assembly



Item	QTY	Part NO.	Description
1	6	104719	BOLT, CARRIAGE 1/4-20 X 1.000 LG
2	1	104021	PLATE, GASKET RETAINER, S/C 5.1
3	1	104022	PLATE, INNER GASKET RETAINER, S/C 5.1
4	1	104026	GASKET, DOOR S/C 5.1
5	1	104023	DOOR, INNER, S/C 5.1
6	2	14665	NUT, HEX LOCK, 1/4-20 SST
7	2	66508	STUD, DOOR MOUNTING, INNER
8	6	146771	NUT, ACORN, THRD LOCK, 1/4-20 SST
9	A/R	00933	SEALANT; RTV; CLEAR

Assembly Number: 1061712

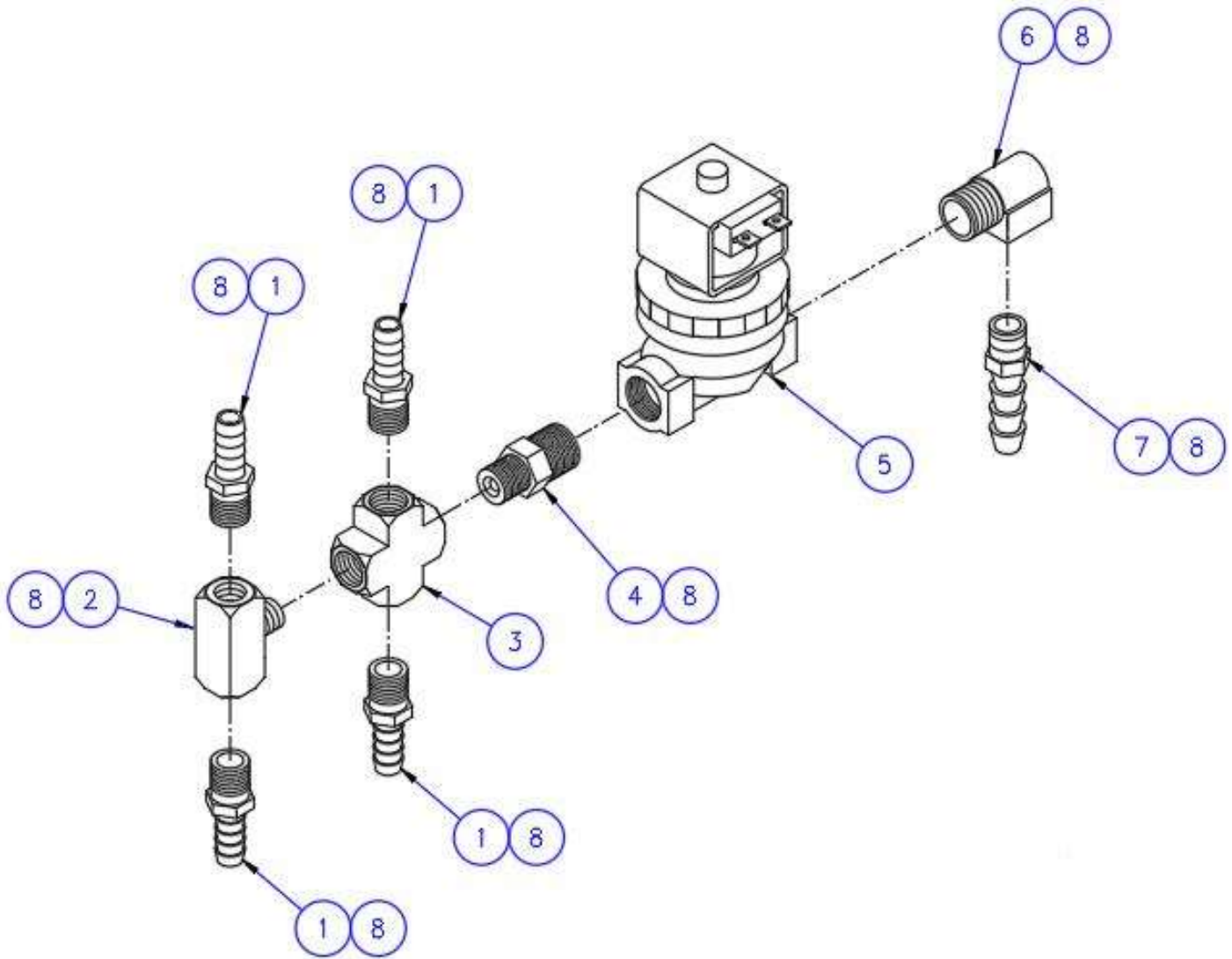
Description: Drain Assembly SteamCraft 10



Item	QTY	Part NO.	Description
1	1	110779	ELBOW, 90°, 1/8 MPT x 1/4 FPT, BRASS
2	1	109866	FITTING, HOSE BARB, RADIUS TIP, 1/4 HOSE
3	1	06230	FITTING, COMPARTMENT DRAIN
4	1	14297	NIPPLE, 1/8 X 1-1/2, BRASS
5	1	104838	COUPLING, FULL 1/8, BRASS
6	1	14555	NOZZLE, SPRAY, 1/8 FULL JET
7	1	105783	TEE, 1 X 1 X 1-1/4, BLACK
8	1	14481	FITTING, HOSE 1 INCH X 1-11 1/2 MPT
9	A/R	00946	TAPE TEFLON 1/2"
10	A/R	00934	SEALANT, PIPE DOPE, ONE PINT CAN

Assembly Number: 106691

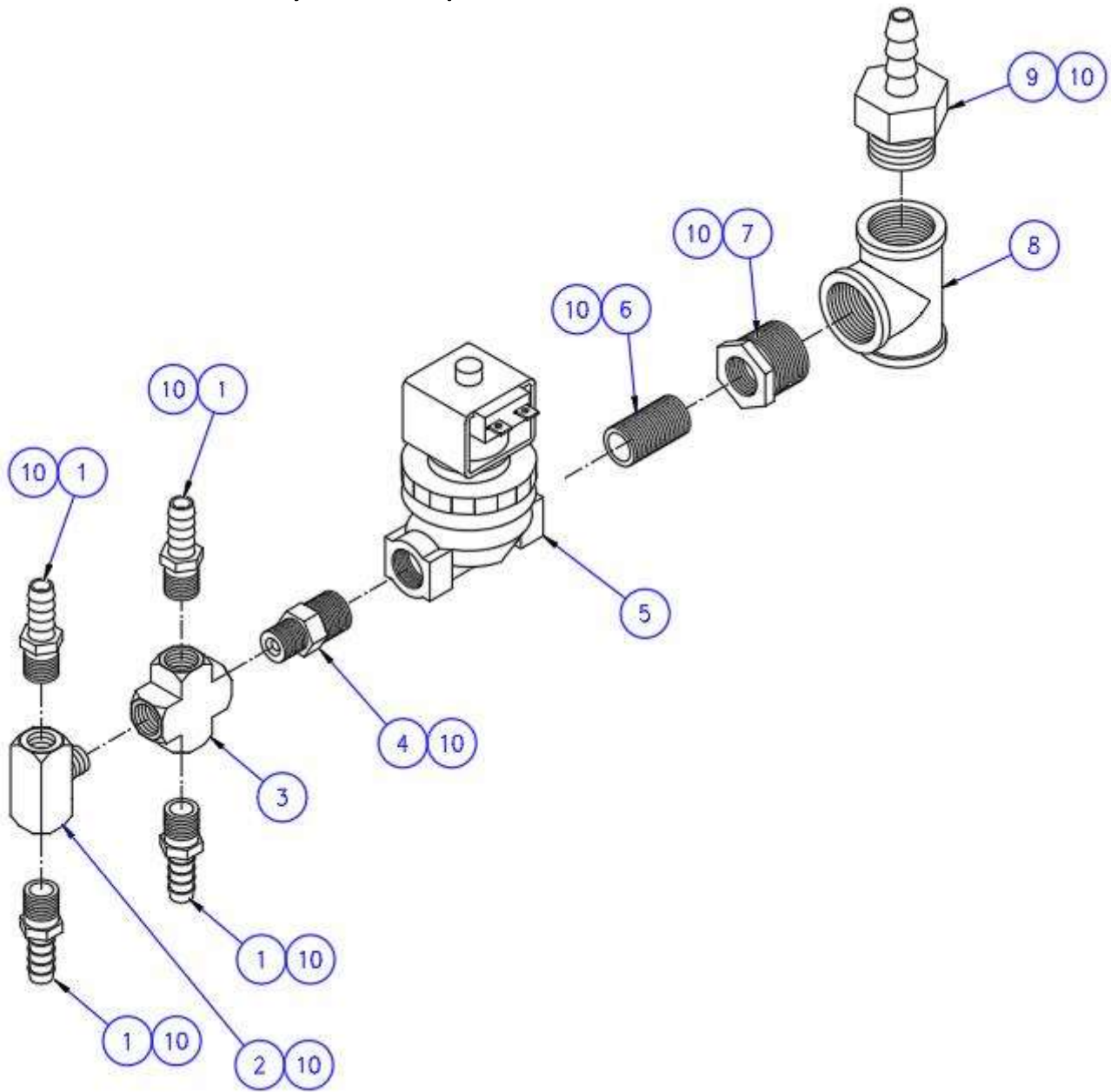
Description: Steam Inlet Assembly, Upper Compartment



Item	QTY	Part NO.	Description
1	4	105277	FITTING, HOSE BARB, 3/8 H X 1/4 NPT
2	1	20245	TEE, MALE BRANCH, 1/4", BRASS
3	1	03729	CROSS, 4-WAY, 1/4", BRASS
4	1	106791	FLOW RESTRICTOR
5	1	22224	STEAM VALVE, SOLENOID 3/8 X 3/8
6	1	05280	ELBOW, STREET, 3/8, BRASS
7	1	100746	FITTING, HOSE BARB, 1/2 H X 3/8 MPT
8	A/R	00934	SEALANT, RECTORSEAL

Assembly Number: 106692

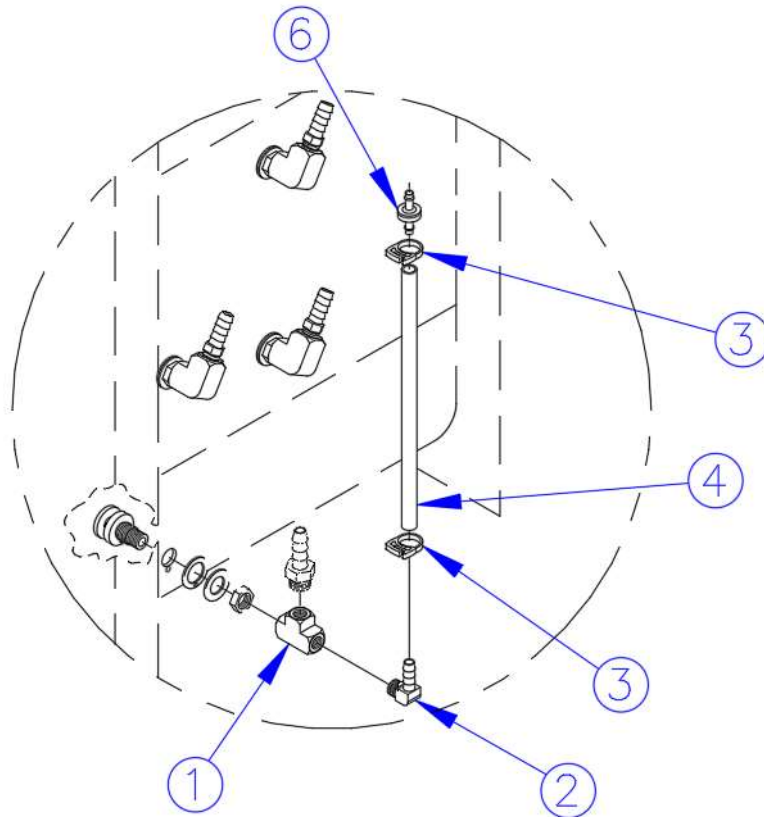
Description: Steam Inlet Assembly, Lower Compartment



Item	QTY	Part NO.	Description
1	4	105277	FITTING, HOSE BARB, 3/8 H X 1/4 NPT
2	1	20245	TEE, MALE BRANCH, 1/4", BRASS
3	1	03729	CROSS, 4-WAY, 1/4", BRASS
4	1	106791	FLOW RESTRICTOR
5	1	22224	STEAM VALVE, SOLENOID 3/8 X 3/8
6	1	14427	NIPPLE, 3/8 X CLOSE, BRASS
7	1	02575	BUSHING, HEX 3/4 X 3/8, BRASS
8	1	20206	TEE, 3/4", BRASS
9	1	06235	FITTING, HOSE BARB, 1/2 H X 3/4 MPT
10	A/R	00934	SEALANT, RECTORSEAL

**Assembly Number: 1070591**

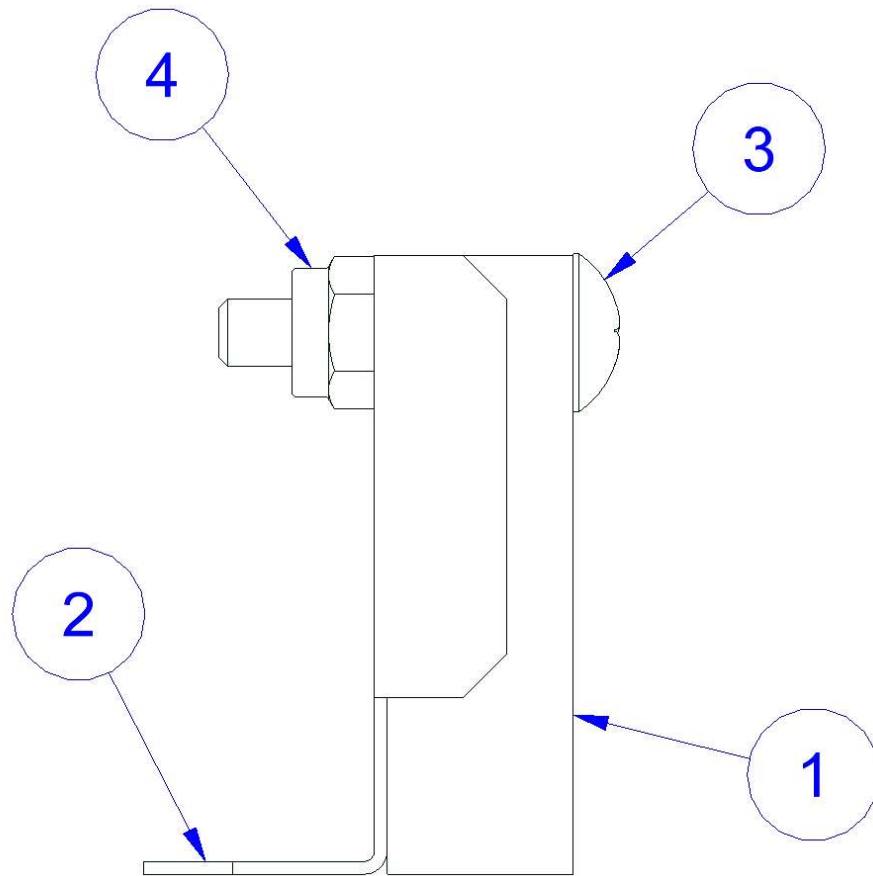
**Description: Breather/Spray Nozzle Assembly**



Item	QTY	Part NO.	Description
1	1	20199	TEE, 1/4, BRASS
2	1	105786	FITTING, HOSE BARB, 1/4 H x 1/4 MPT 90°
3	2	104383	CLAMP, HOSE, NYLON
4	1	1043792600	HOSE, SILICONE, 1/4 x 26.000
5	1	20451	TIE, NYLON CABLE
6	1	107032	CHECK VALVE, PLASTIC DIAPHRAGM

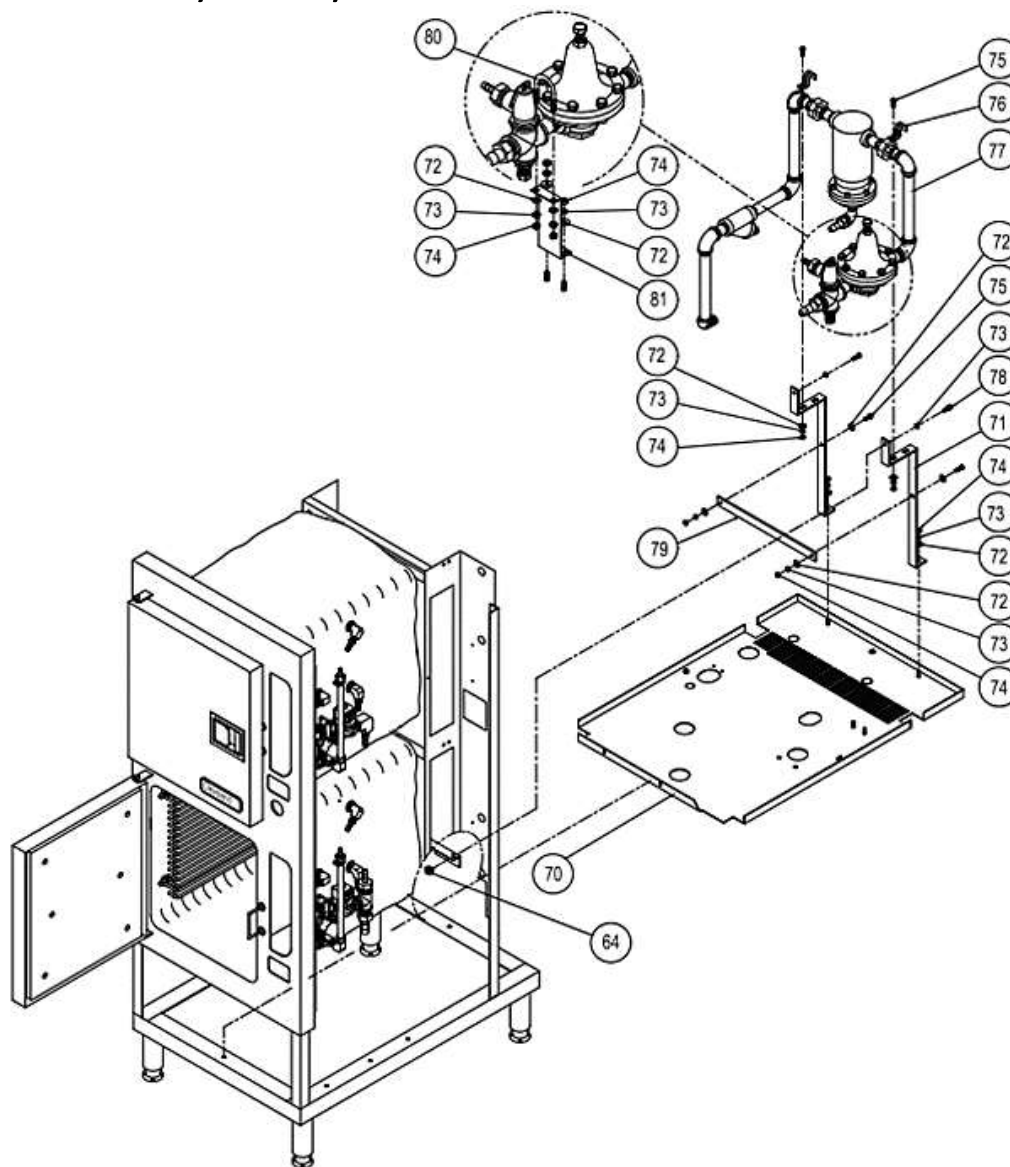
Assembly Number: KE003930

Description: Door Steam Cutoff Switch Assembly



Item	QTY	Part NO.	Description
1	1	108880	SWITCH, DOOR STEAM CUTOFF
2	1	KE604151	BRACKET; STEAM CUTOFF SWITCH; 10 PAN STEAMERS
3	1	KE604172	SCREW, 10-24 X 1.00 SST, PHILLIPS TRUSS HEAD
4	1	104616	NUT, HEX, LOCK, 10-24, SST, NYLON INSERT

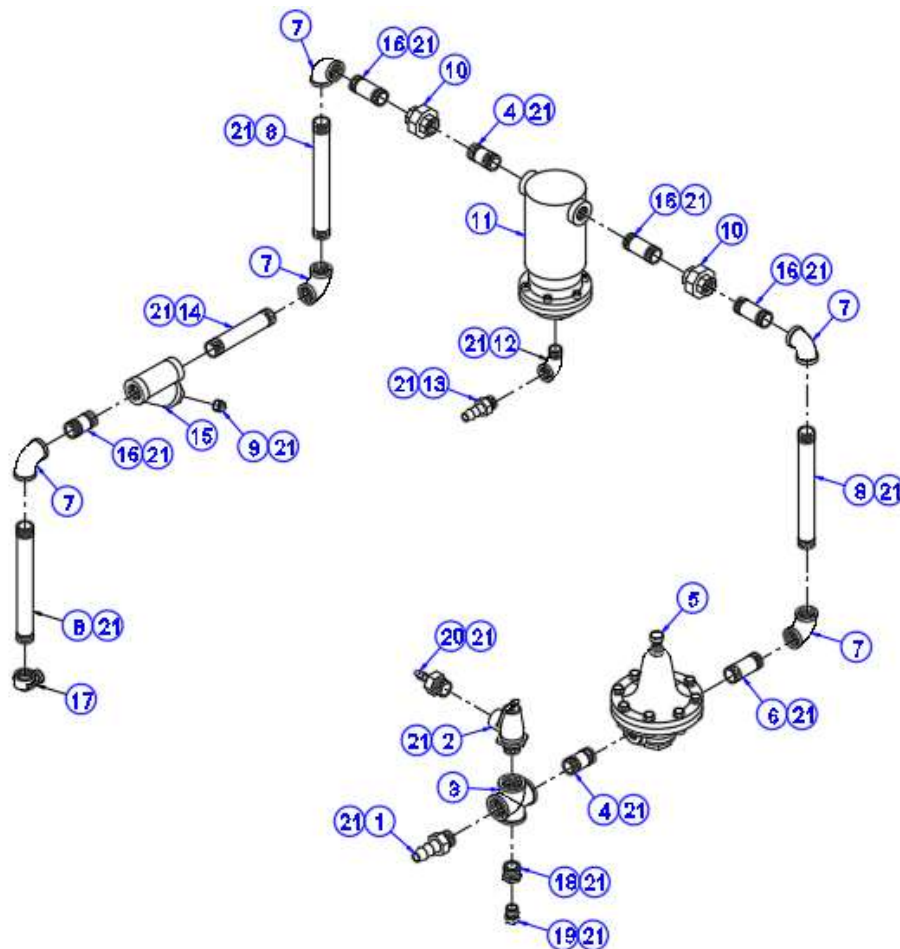
**Description: 24CDP10 General Body Assembly 3**



Item	QTY	Part NO.	Description
64	2	106033	NUT, TINNEMAN
70	-	CKD00033	BOTTOM PAN COMPONENTS ASSEMBLY
71	2	106843	BRACKET, SUPPORT, SC 10 DC
72	12	23116	WASHER, FLAT 1/4 X 5/8 X 0.065
73	12	23105	WASHER, LOCK, 1/4
74	10	14618	NUT, HEX 1/4-20
75	4	19288	SCREW, HEX, 1/4-20 X 3/4
76	2	03197	CLAMP, RIGID 3/4 HOLE
77	-	CKD0002	PLUMBING, SC 10, DIRECT CONNECT
78	2	19170	SCREW, HEX, 1/4-20 X 5/8
79	1	107250	BRACKET, SUPPORT, PLUMBING
80	1	105970	BOLT, "U", 1/4-20, 3/4 PIPE
81	1	107315	BRACKET, SUPPORT, VALVE

Assembly Number: CKD0002

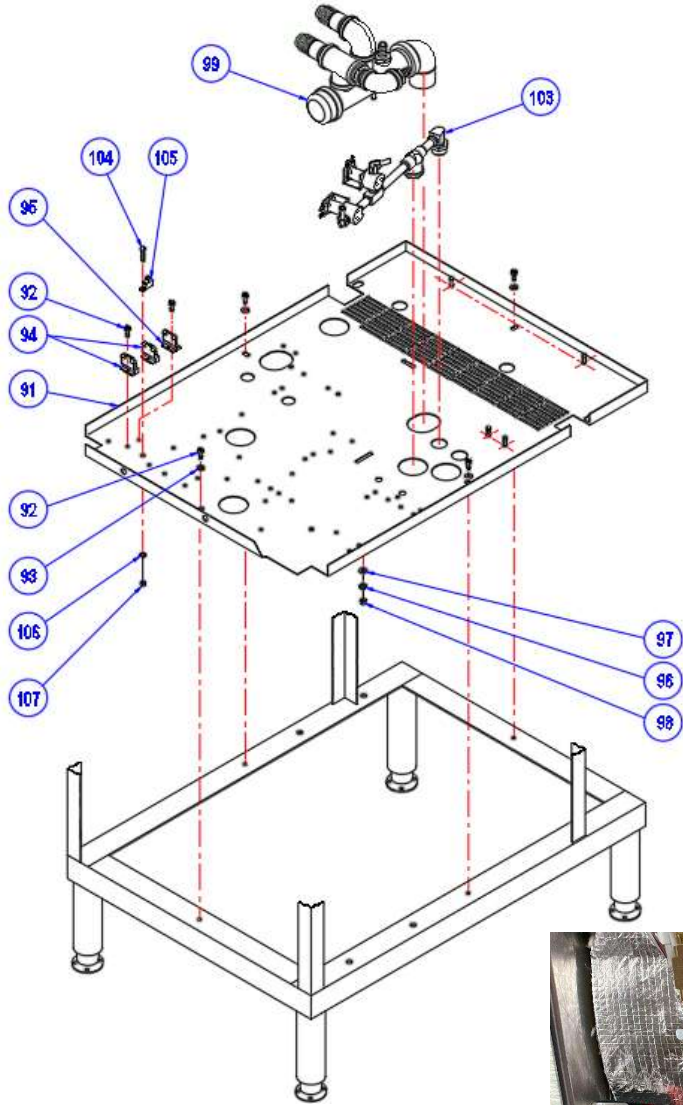
Description: Plumbing



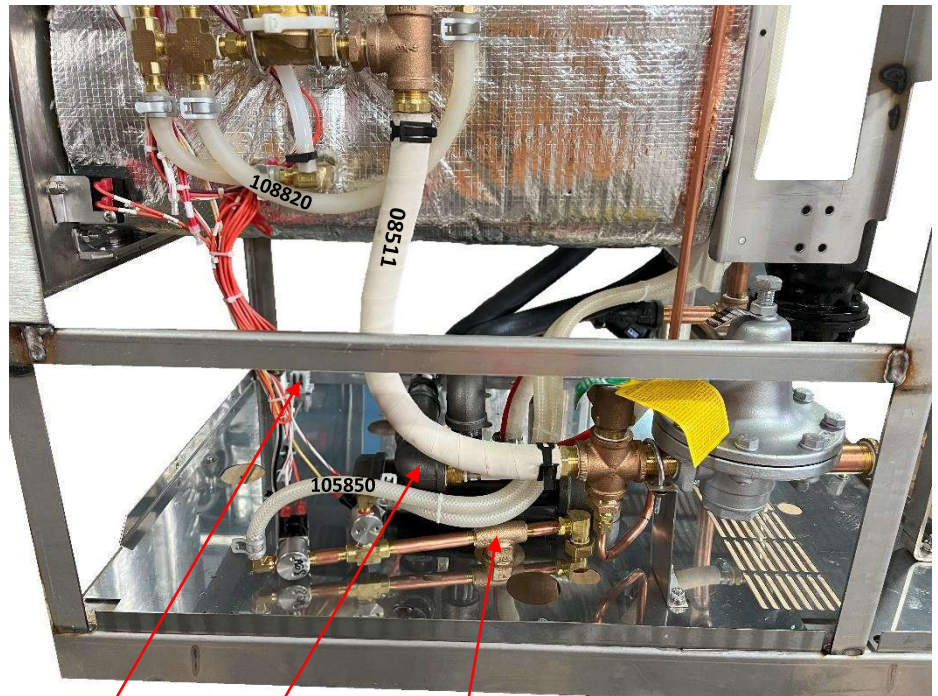
Item	QTY	Part NO.	Description
1	1	06240	FITTING, HOSE BARB, 3/4H x 3/4NPT
2	1	22131	VALVE, SAFETY, 3/4NPT, 15 PSI
3	1	03732	CROSS, 3/4NPT, BRASS
4	2	14431	NIPPLE, 3/4 x 2, BRASS
5	1	22122	VALVE, PRESSURE REDUCING, 3/4NPT
6	1	14348	NIPPLE, 3/4 x 3, BRASS
7	5	05260	ELBOW, 3/4NPT, BRASS
8	3	14455	NIPPLE. 3/4 x 8 1/2, BRASS
9	1	16601	PLUG, SQUARE HEAD, 3/8NPT
10	2	21304	UNION, 3/4NPT, BRASS
11	1	19020	TRAP, SEPERATOR COMBINATION
12	1	05252	ELBOW, STREET, 1/2NPT, BLACK
13	1	06237	FITTING, HOSE BARB, 1/2H x 1/2NPT
14	1	14352	NIPPLE, 3/4 x 4, BRASS
15	1	19872	STRAINER, Y, 3/4NPT
16	4	14346	NIPPLE, 3/4 x 2 1/2 BRASS
17	1	05231	ELBOW, STREET, 3/4NPT, BRASS
18	1	02575	BUSHING, REDUCING, 3/4 x 3/8
19	1	06199	FITTING, COMPRESSION, 3/8T x 3/8NPT
20	1	06235	FITTING, HOSE BARB, 1/2H x 3/4NPT
21	A/R	00934	SEALANT, PIPE DOPE

Assembly Number: CKD00033

Description: Bottom Pan Components Assembly



Item	QTY	Part NO.	Description
91	1	105667	PAN, BOTTOM, SC 10
92	6	106123	SCREW, TORX/SLOT 10-32 X 1/2
93	4	101655	WASHER, FLAT 10, SST
94	2	20301	TERMINAL SECTION, MARATHON
95	1	20302	TERMINAL END SECTION, MARATHON
96	1	23105	WASHER, SPLIT LOCK, 1/4, SST
97	1	23116	WASHER, FLAT, 1/4, SST
98	1	14618	NUT, HEX, 1/4-20, SST
99	1	11000115818	DRAIN MANIFOLD ASSY, 24CDP10
103	1	11000115820	VALVE ASSEMBLY, WATER INLET, 24CDP10
104	1	19287	SCREW, RD HD SLTD, 10-24 X 1/2
105	1	20304	LUG, GROUND, SOLDERLESS
106	1	23114	WASHER, LOCK, INTERNAL TOOTH#10
107	1	14659	NUT, HEX 10-24, SST



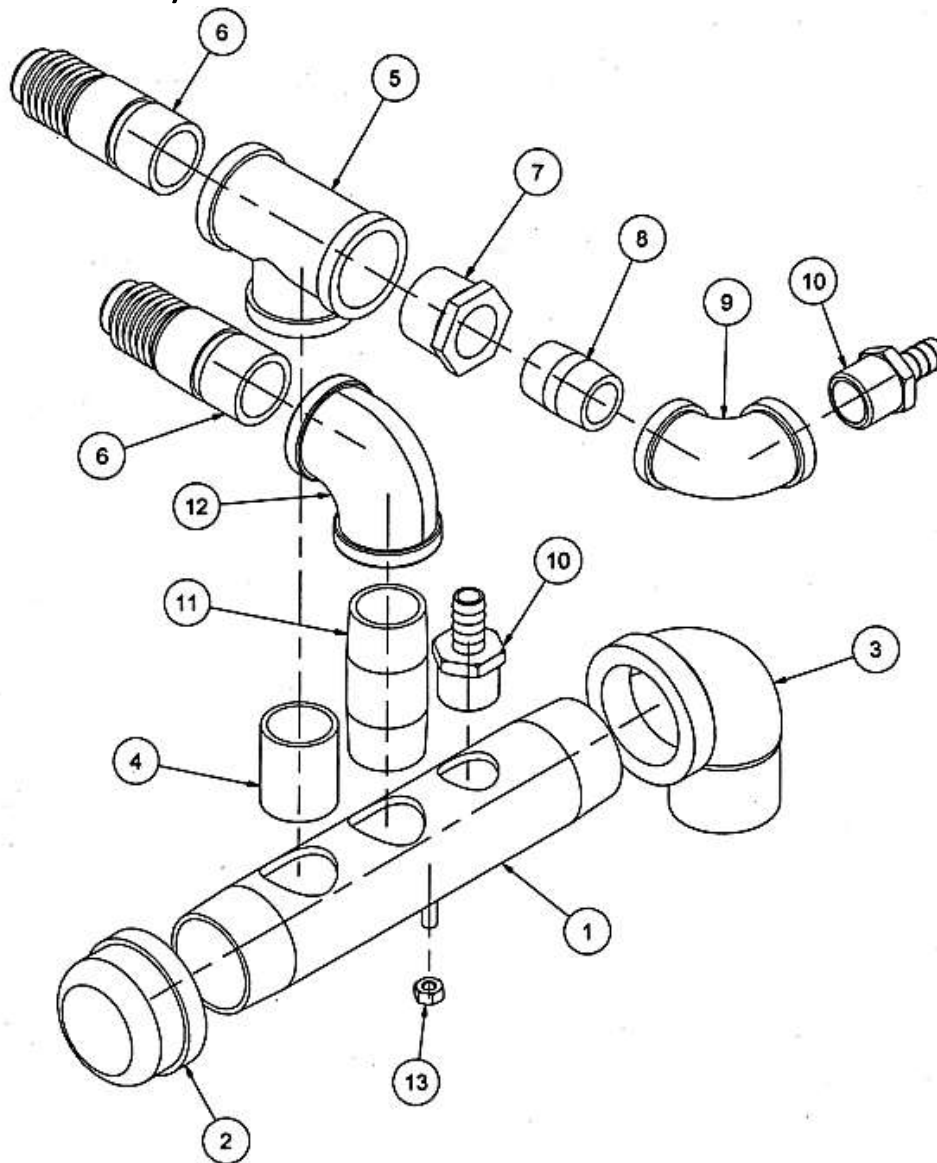
94 95

99

103

Assembly Number: 11000115818

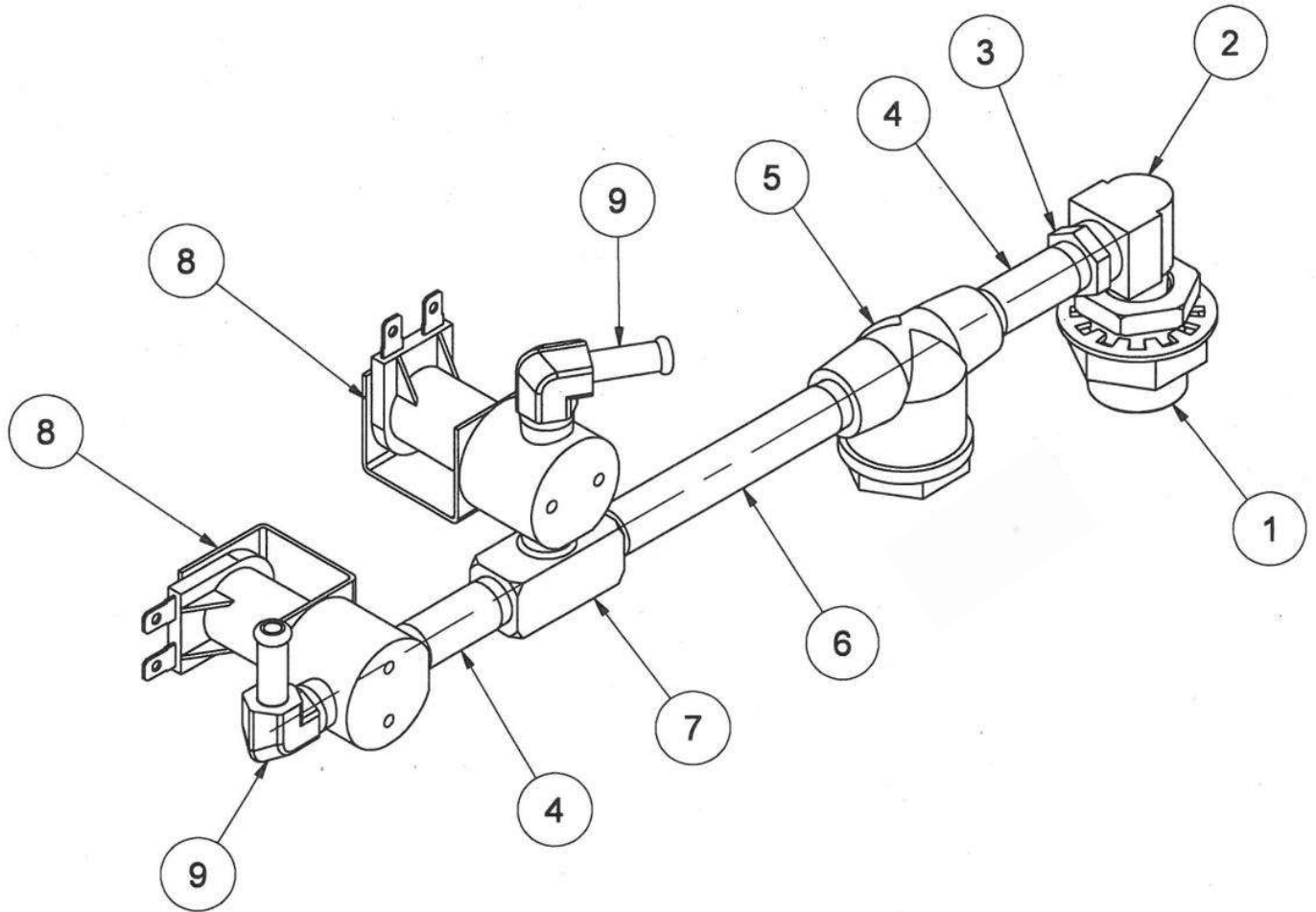
Description: Drain Manifold Assembly



Item	QTY	Part NO.	Description
1	1	132521	MANIFOLD, ASSY, DRAIN, STUD LOCATION
2	1	03058	CAP; PIPE; 1-1/2 IN; BLACK
3	1	05292	ELBOW, STREET, 90°, 1-1/2, BLACK
4	1	14369	NIPPLE, 1 x CLOSE, BLACK
5	1	20211	TEE, 1, BLACK
6	2	14481	FITTING, HOSE BARB, 1 H x 1 MPT
7	1	02598	BUSHING, REDUCING, 1x3/4, HEX, BLACK
8	1	14343	NIPPLE, 3/4 x CLOSE, BLACK
9	1	05258	ELBOW 90 DEG., 3/4 BLACK
10	2	06235	FITTING, 1/2" H X 3/4" NPT
11	1	14373	NIPPLE, 1 x 3, BLACK
12	1	05265	ELBOW, 90 DEG., 1 IN, BLACK
13	1	14618	NUT, HEX, 1/4-20, STAINLESS STEEL
14	A/R	00934	SEALANT, PIPE DOPE, RECTORSEAL #5

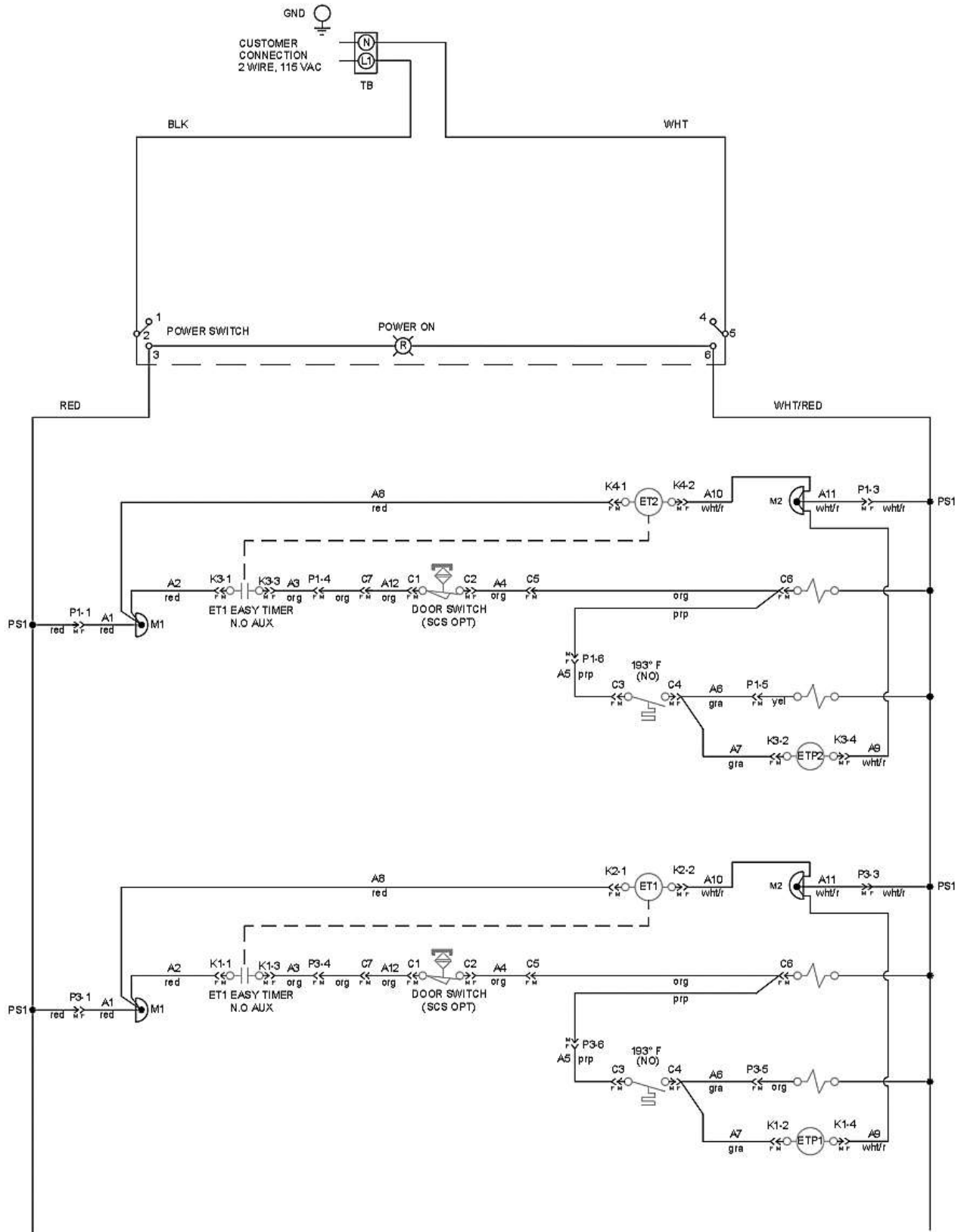
Assembly Number: 11000115820

Description: Valve Assembly

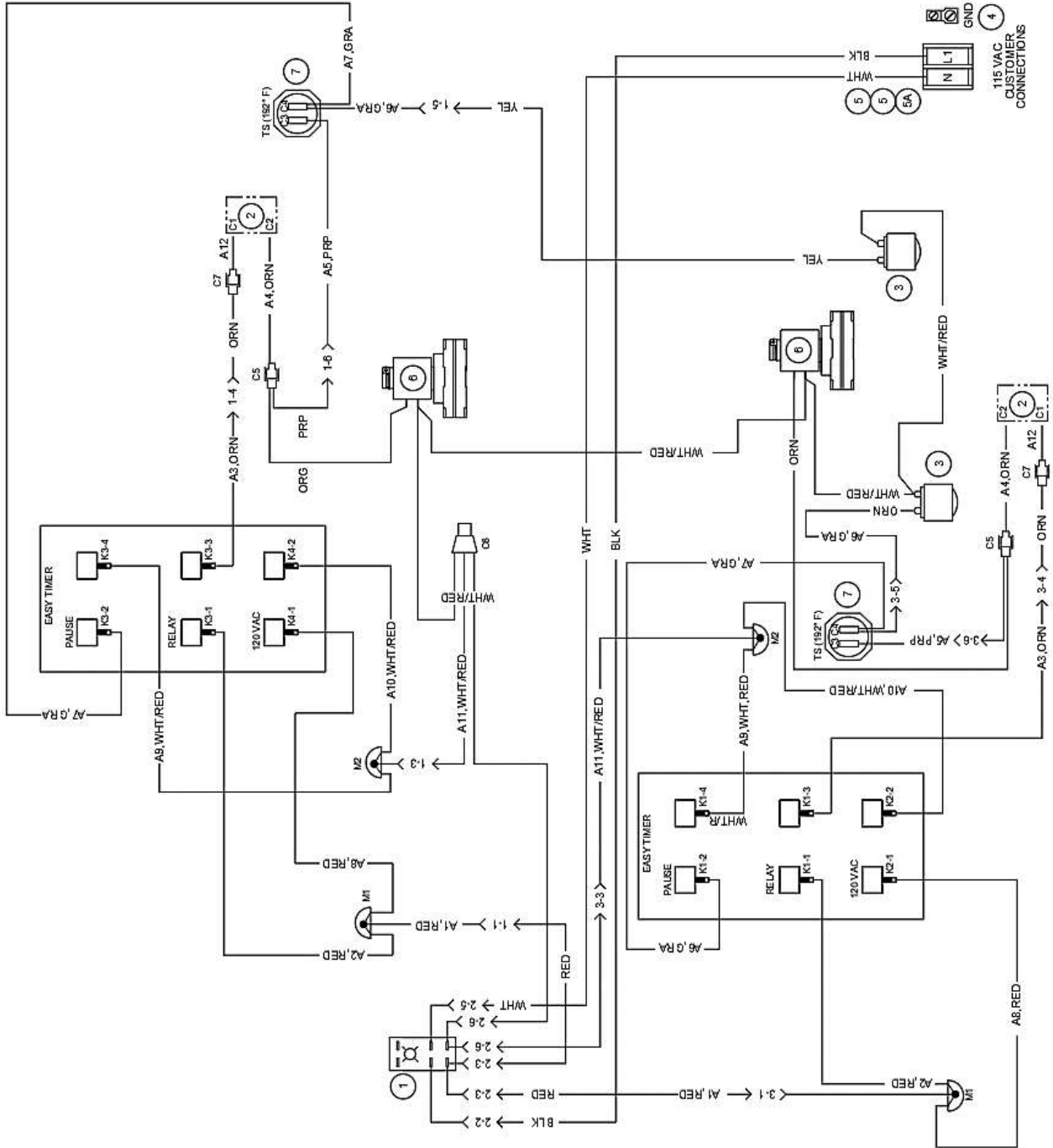


Item	QTY	Part NO.	Description
1	1	105794	FITTING, BULKHEAD, 3/8 NPT X 3/8 NPT
2	1	05280	ELBOW STREET 3/8 IN BRASS
3	1	02594	BUSHING, HEX, 3/8 x 1/4, BRASS
4	2	14476	NIPPLE .25NPT X 2.00, SCH 40, BRASS TBE
5	1	19870	STRAINER, 1/4 IN WATTS V #27, 40 MESH SCREEN
6	1	14310	NIPPLE .25NPT X 4.00, SCH 40, BRASS TBE
7	1	20245	TEE, MALE BRANCH, 1/4", BRASS
8	2	22218	VALVE, SOLENOID, 1/4" NORM, 120 VOL
9	2	111289	FITTING, ELBOW, 90 1/4" HOSE X 1/4" NPT MALE
10	A/R	00934	SEALANT, PIPE DOPE, RECTORSEAL #5

STEAMCRAFT 10 DIRECT CONNECT - EASY TIMER



STEAMCRAFT 10 DIRECT CONNECT - EASY TIMER



PARTS LIST

- 1 19993 - POWER SWITCH
- 2 108880 - DOOR MAG. SW. (SCS OPT.)
- 3 22218 - CONDENSER VALVE
- 4 20304 - GROUND LUG
- 5 20301 - SECTIONAL TERM BLOCK
- 5A 20302 - END BARRIER
- 6 22224 - STEAM SOLENOID VALVE
- 7 19972 - COMP. THERMOSTAT
- 8 XXXXX - XXXXX
- 9 XXXXX - XXXXX
- 10 XXXXX - XXXXX

# Cleveland

## Service/Parts:

1-844-724-2273

US: Press #4 after prompt to be directed to Technical Services. Press #2 after prompt to be directed to Cleveland.

Canada: Press #1 after prompt to be directed to service in Canada.

Every new piece of Welbilt Foodservice equipment comes with KitchenCare® and you choose the level of service that meets your operational needs from one restaurant to multiple locations

**StarCare** – Warranty & lifetime service, certified OEM parts, global parts inventory, performance audited

**ExtraCare** – CareCode, 24/7 Support, online/mobile product information

**LifeCare** – Install & equipment orientation, planned maintenance, KitchenConnect™, MenuConnect®

**Talk with KitchenCare®** • 1-844-724-CARE • [www.mtwkitchenare.com](http://www.mtwkitchenare.com)



To learn how Welbilt Foodservice and its leading brands can equip you, visit our global web site at [www.welbilt.com](http://www.welbilt.com), then discover the regional or local resources available to you.

©2016 Welbilt Foodservice except where explicitly stated otherwise. All rights reserved. Continuing product improvement may necessitate change of specifications without notice.