

Project \_\_\_\_\_  
 Item \_\_\_\_\_  
 Quantity \_\_\_\_\_  
 FCSI Section 11400 \_\_\_\_\_  
 Approved \_\_\_\_\_  
 Date \_\_\_\_\_

## TABLE TYPE, ELECTRIC KETTLE

TILTING WITH GEARBOX, SPLASH PROOF SERIES", SELF-CONTAINED, 2/3 STEAM JACKETED, 6 GALLONS, 23 LITERS), 12 GALLONS, (45 LITERS)

### Models

- KET-6-TGB
- KET-12-TGB



### Standard Features

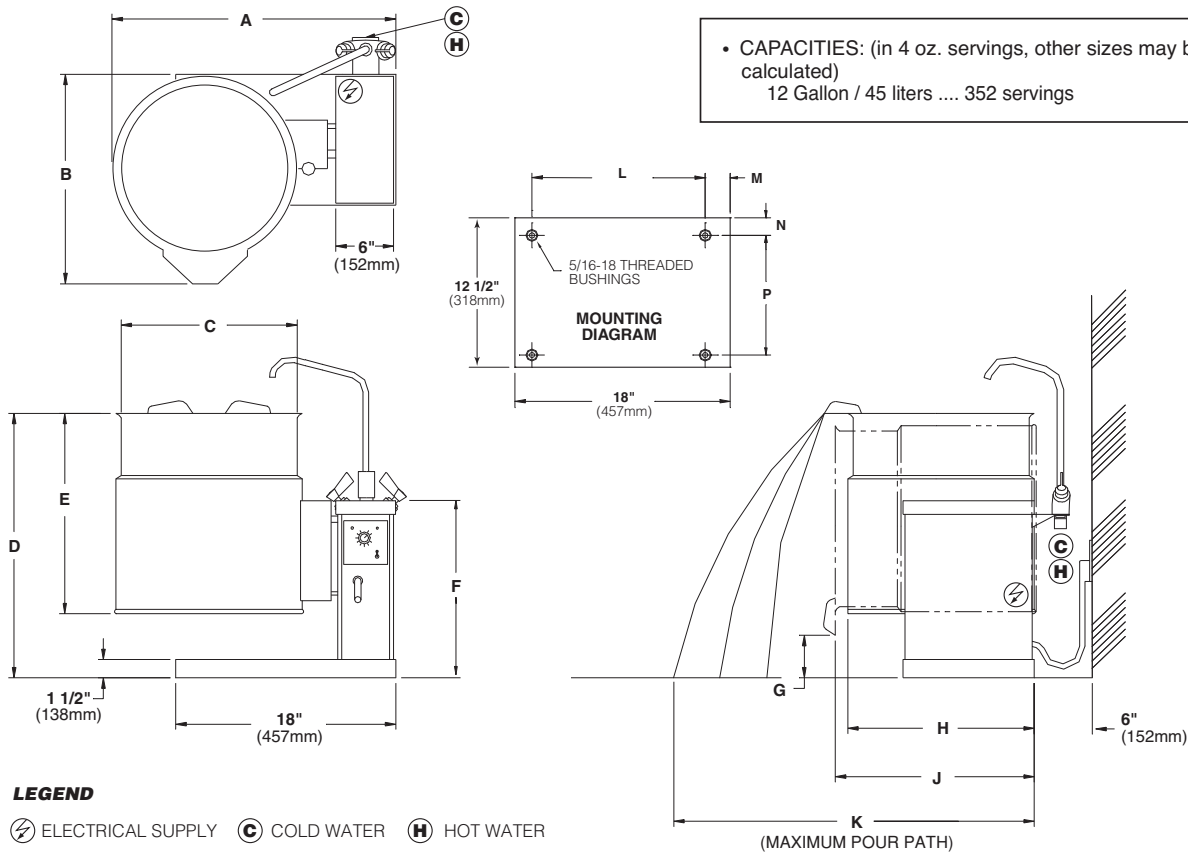
- Manual tilting, balanced design
- Tilt Mechanism of roller bearings and case hardened self-locking worm and segment gear
- Self-contained, easily installed - needs only an electrical hook-up
- Steam jacket filled with treated water, venting and/or refilling is not required
- Accurate, constant solid state temperature controls (mechanical thermostat not as accurate) - less than  $\pm 1^{\circ}\text{C}$  variance (ideal for simmering). Operating temperature range from 145° - 260°F (63°C - 127°C)
- Control panel includes:
  - LED indicator for heat cycle
  - LED indicator for low water
  - Power ON/OFF switch
  - Adjustable temperature control dial
- Water resistant controls, splash-proof construction
- Large pouring lip for high capacity and chunky products
- Re-inforced rolled rim design prevents damage to kettle rim, eliminates "bar rim designs"
- Welded-in heating elements, (holds vacuum better, won't leak or loose water)
- Easily cleaned: kettle and all exterior surfaces are of type 304 stainless steel with an #4 finish
- Rear mounted easy access pressure gauge and pressure relief valve to prevent tampering. Color coded easy to read pressure gauge with "green" and "vent air zone"
- 50 psi steam jacket rating for higher cooking temperatures
- 50 psi safety valve
- Solid state water level control (no sight glass gauge to break or leak)
- Splash proof element cover with a double gasket seal
- Standard voltage is 208-240 volts, 60 Hz, 3 phase, 3 wire. KET-6-TGB and KET-12-TGB are field rewirable to single phase
- Typical approvals include UL, CSA, CE, NSF and ASME

### Short Form Specifications

Shall be CLEVELAND, Electric Kettle, Table Type, self contained, tilting, Model KET-12-TGB; 12 gallons, \_\_\_KW, \_\_\_volt, \_\_\_Hz, \_\_\_- phase, 3 wire and single phase, 2 wire. 2/3 Steam Jacketed, Type 304 Stainless Steel kettle and supports. Jacket rated at 50 psi with Safety Valve, Permanently filled Steam Jacket. Splash Proof Solid State Temperature ( $\pm 1^{\circ}\text{C}$ ) and Safety Control System in plug-in Module including L.E.D. indicators, Gear Box. Optional Lift-Off Cover.

### Options & Accessories

- 316 Stainless Steel Liner (316)
- Kettle Markings (KM)
- Stainless Steel equipment stand with drain drawer and splash shield (ST-28)
- Lift Off Cover (CL)
- Cooking Baskets (BS)
- Measuring Strip (MS)
- Food Strainer (FS)
- Hot and cold water faucet (DPK), or cold water (SPK) Requires faucet bracket (FBKT)
- Spray Hose (PRS-K)
- High wattage and special voltages (see back page)
- Kettle Markings (KM)
- Protective Control Panel (PCE)



**LEGEND**

⚡ ELECTRICAL SUPPLY    Ⓒ COLD WATER    Ⓓ HOT WATER

**NOTES**

UNIT SHOWN WITH OPTIONAL DOUBLE PANTRY FAUCET (DPK).  
CORD AND PLUG SUPPLIED BY OTHERS.

**WARNING:** TO PREVENT INJURY KETTLE MUST BE BOLTED TO THE TABLE.

**DIMENSIONS**

| GALS./<br>LITERS |          | A            | B            | C            | D            | E            | F            | G           | H            | J            | K            | L          | M          | N            |
|------------------|----------|--------------|--------------|--------------|--------------|--------------|--------------|-------------|--------------|--------------|--------------|------------|------------|--------------|
| 6/<br>23         | IN<br>mm | 24.00<br>610 | 15.75<br>400 | 13.25<br>337 | 22.50<br>572 | 16.50<br>417 | 22.50<br>572 | 6.50<br>165 | 15.50<br>394 | 17.25<br>438 | 36.00<br>914 | 2.06<br>52 | 1.50<br>38 | 7.38<br>187  |
| 12/<br>45        | IN<br>mm | 27.50<br>699 | 20.00<br>508 | 16.75<br>425 | 24.88<br>632 | 19.25<br>489 | 23.25<br>591 | 7.00<br>178 | 16.00<br>406 | 18.00<br>457 | 38.00<br>965 | 2.09<br>53 | 1.91<br>49 | 10.00<br>254 |

**STANDARD WATTAGE**

| GALS. LITERS | 208V |     |      | 240V |      |      | 415V |      |      | 480V |      |      |      |
|--------------|------|-----|------|------|------|------|------|------|------|------|------|------|------|
|              | KW   | 1PH | 3PH  | KW   | 1PH  | 3PH  | KW   | 1PH  | 3PH  | KW   | 1PH  | 3PH  |      |
| 6            | 23   | 6.1 | 29.5 | 17.0 | 8.2  | 34.0 | 19.6 | 7.5  | 18.1 | 10.5 | 8.2  | 17.0 | 9.8  |
| 12           | 45   | 9.8 | 47.2 | 27.2 | 13.1 | 54.4 | 31.4 | 12.1 | 29.0 | 16.7 | 13.1 | 27.2 | 15.7 |

**HIGH WATTAGE**

| GALS. LITERS | 208V |      |      | 240V |      |      | 415V |      |      | 480V |      |      |      |
|--------------|------|------|------|------|------|------|------|------|------|------|------|------|------|
|              | KW   | 1PH  | 3PH  | KW   | 1PH  | 3PH  | KW   | 1PH  | 3PH  | KW   | 1PH  | 3PH  |      |
| 6            | 23   | 12.3 | 59.0 | 34.1 | 16.3 | 68.1 | 39.3 | 15.1 | 36.2 | 20.9 | 16.3 | 34.0 | 19.6 |
| 12           | 45   | 12.3 | 59.0 | 34.1 | 16.3 | 68.1 | 39.3 | 15.1 | 36.2 | 20.9 | 16.3 | 34.0 | 19.6 |

Consult factory for other ratings.

**CLEARANCE**

RIGHT = 0", LEFT = 0"  
REAR = 6"

**WATER**

3/8" O.D. copper tube or  
1/2" N.P.T. pipe.

When ordered with  
optional faucet.

**SHIPPING  
WEIGHT:**

190 lbs.

**NOTES:**

Cleveland Range reserves right of design improvement or modification, as warranted.  
Many regional, state and local codes exist and it is the responsibility of the owner and installer to comply with the codes.  
Cleveland Range equipment is built to comply with applicable standards for manufacturers. Included among those approval agencies are U.L./NSF#4 and CSA (AGA, CGA).

(NOT TO SCALE)