



Visit www.clevelandrange.com to locate a service or sales representative in your area.

Cleveland

Unistand25

25" Equipment Stacking Stand

Installation Manual - One SteamChef™ 22CGT3.1/6.1 or 22CET3.1/6.1 Steamer on a Unistand25

This manual is updated as new information and models are released. Visit our website for the latest manual.

MODELS:

- (1) 22CGT3.1/6.1
- (1) 22CET3.1/6.1
- Unistand25

For your future reference.

Model # _____

Serial # _____



***Read the manual thoroughly.
Improper installation, operation or
maintenance can cause property
damage, injury, or death.***

Part # KE604943-1 Rev A
April 2024

The Installation of Cleveland Range steamers on this stand should only be performed by Cleveland Range authorized technicians. Read entire installation procedure before beginning.

This stand is intended for stacking (1) **SteamChef™ 22CGT3.1/6.1 or 22CET3.1/6.1 Steamer** on a **Unistand25**. An additional mounting kit, P/N KE004289, is needed.

MOUNTING KIT (P/N KE004289) PARTS LIST

Item No.	Part No.	Description	Qty
2*	2501018	Foot, 4.00" Adjustable, Less Flange	4
3	KE604830	Adapter, Stand	4
4	111013	Washer; Fender; 17/32 ID; 1.500 OD; 0.063 THK; SST	8
5	23153	Washer; Lock; 1/2IN; SST	4
6	111012	Screw; 1/2-13 X 0.750; Hex Head; S.S.	4

*Supplied with or part of SteamChef™ Steamer

In addition to knowledge of this procedure, installer must be familiar with the instructions supplied with each SteamChef™ Steamer. These instructions are Cleveland Range P/N's KE004043-2 (Model 22CGT3.1/6.1) and P/N KE004035-2 (Model 22CET3.1/6.1).

For this installation, SteamChef™ Stand Mounting Kit, P/N KE004289, is required and must be ordered separately as it is not included with stand.

1. Position stand in selected location so that feet with round mounting pads are at the rear. Use the adjustable feet to level the stand front-to-back and side-to-side.
2. Set the steamer directly on stand as shown in Figure 2.
3. Remove lower flanged foot from each leg and install Stand Adaptors P/N KE604830.
4. Align steamer so that mounting bolts come up through holes marked "B" in Figure 1 below.

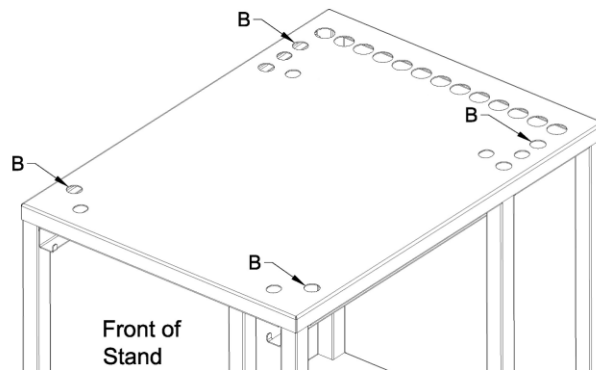


Figure 1

SteamChef™ Gas Mounting Holes

5. Secure steamer to stand using Kit P/N KE004289 in Figure 3.
6. Complete installation of steamer as outlined in its installation manual.

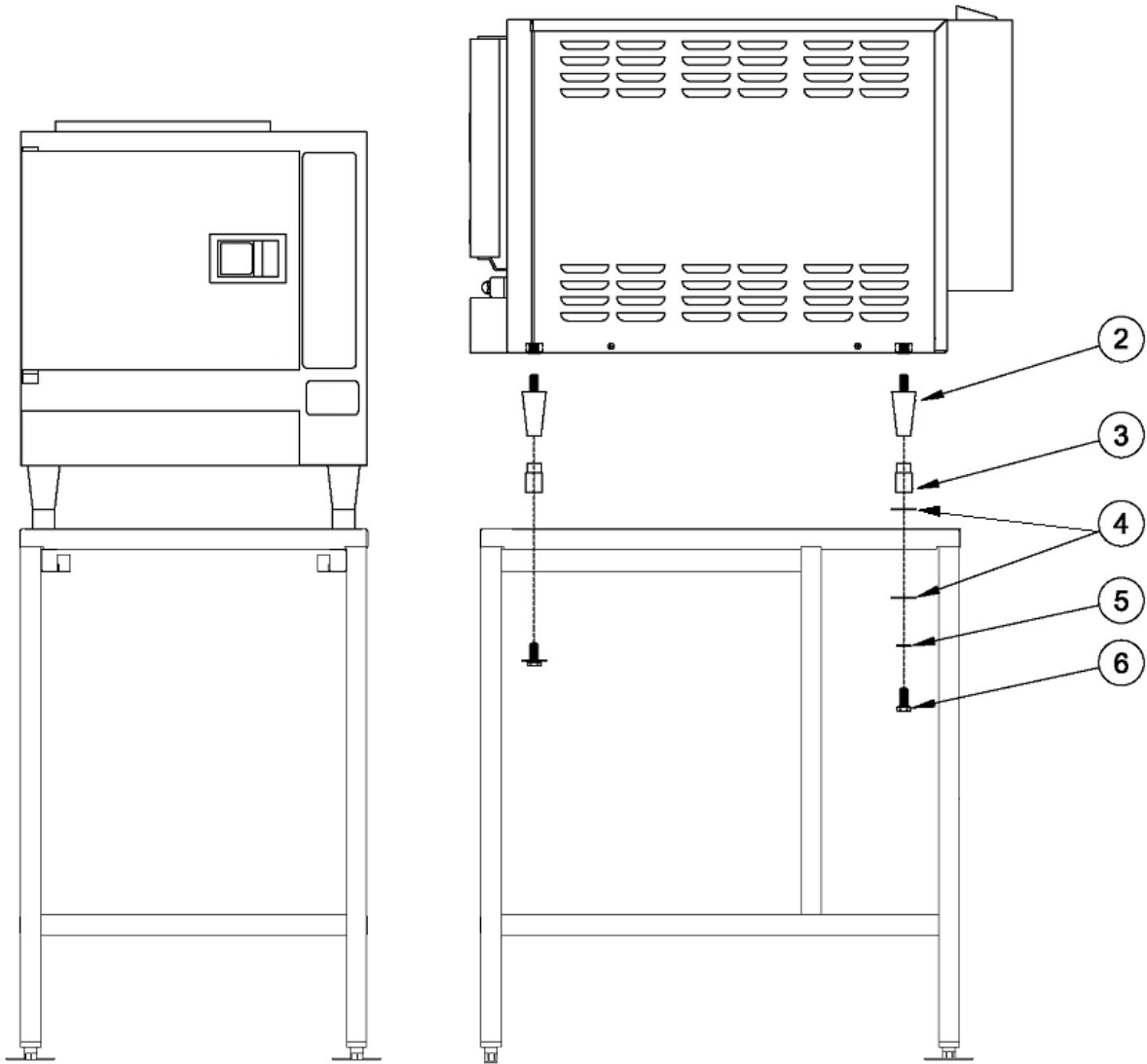


Figure 2
SteamChef™ Gas Mounting Instructions
(Model 22CGT3.1 shown on a Unistand for reference)

Cleveland

Cleveland Range, LLC
760 Beta Drive, Unit D
Mayfield Village, Ohio
44143
216.481.4900
800.338.2204

Every new piece of Welbilt Foodservice equipment comes with KitchenCare® and you choose the level of service that meets your operational needs from one restaurant to multiple locations

StarCare – Warranty & lifetime service, certified OEM parts, global parts inventory, performance audited

ExtraCare — CareCode, 24/7 Support, online/mobile product information

LifeCare – Install & equipment orientation, planned maintenance, KitchenConnect™, MenuConnect®

Talk with KitchenCare® • 1-844-724-CARE • www.mtwkitchencare.com



To learn how Welbilt Foodservice and its leading brands can equip you, visit our global web site at www.welbilt.com, then discover the regional or local resources available to you.

©2016 Welbilt Foodservice except where explicitly stated otherwise. All rights reserved. Continuing product improvement may necessitate change of specifications without notice.