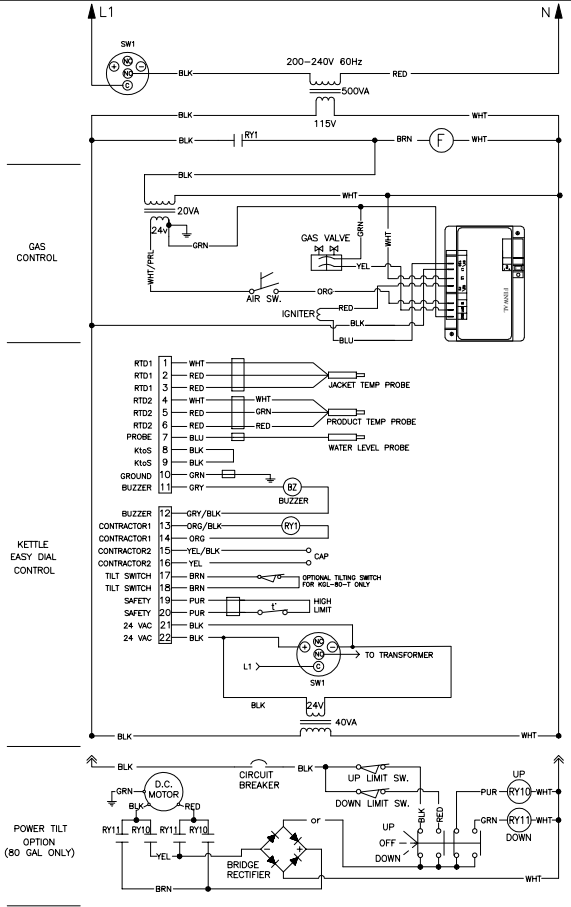
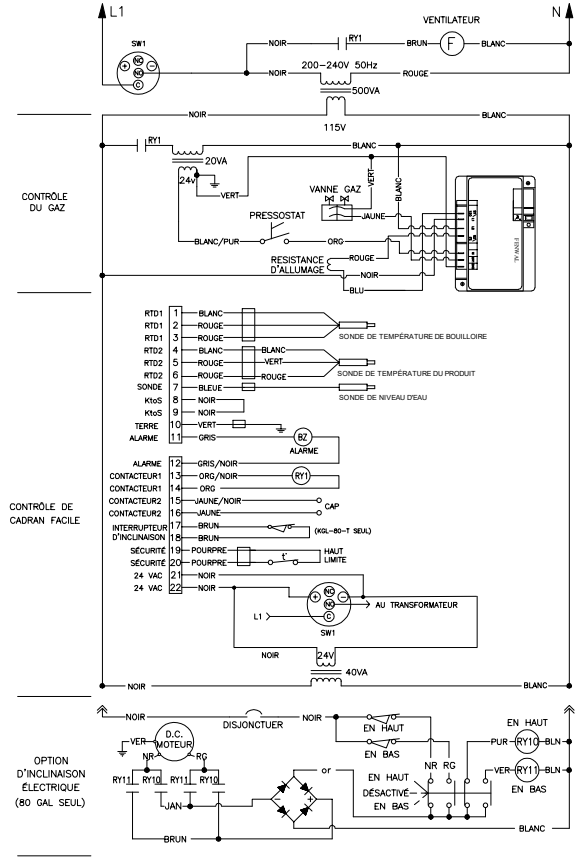


FLOOR GAS KETTLE (EXCEPT KGL-25/T) W/ EASY DIAL - 110-120 VOLTS 60HZ **KE604435**



FLOOR GAS KETTLE (EXCEPT KGL-25/T) W/ EASY DIAL - 200-240 VOLTS 60HZ **KE604435-1**



FLOOR GAS KETTLE (EXCEPT KGL-25/T) W/ EASY DIAL - 200-240 VOLTS 50HZ FRANCE **KE604435-2**

**WARNING**  
 LABELS ARE PRODUCED IN HOUSE WITH THE THERMO PRINTER. ARTWORK MUST BE UPDATED IN PRINTER DATABASE.

**MATERIAL SPECIFICATIONS**  
 STOCK- 4" WHITE TRANSTHERM PERM LABEL STOCK  
 VENDOR- WEBER #50629690  
 500 FOOT ROLL  
 RIBBON- 4" TRANSTHERM PERM BLACK RIBBON  
 VENDOR- WEBER #609911  
 1509 FOOT ROLL

THIS DESIGN COVERS A PROPRIETARY ITEM AND IS THE PROPERTY OF CLEVELAND RANGE LTD. THIS DRAWING IS NOT TO BE COPIED OR USED WITHOUT THE APPROVAL OF CLEVELAND RANGE LTD.		FOR GENERAL TOLERANCES REFER TO PMH-043		<b>CLEVELAND RANGE LTD.</b> 8251 KEELE STREET, CONCORD, ONTARIO, CANADA		<b>TITLE</b> <b>WIRING DIAGRAM;</b> <b>KGL-T (OVER 25 GAL)</b>	
<b>MATERIAL</b> <b>TYPE &amp; GRADE</b> <b>FORM</b> <b>SIZE</b> <b>FINISH</b>		<b>DO NOT SCALE</b> <b>PRINTED DRAWING</b>					