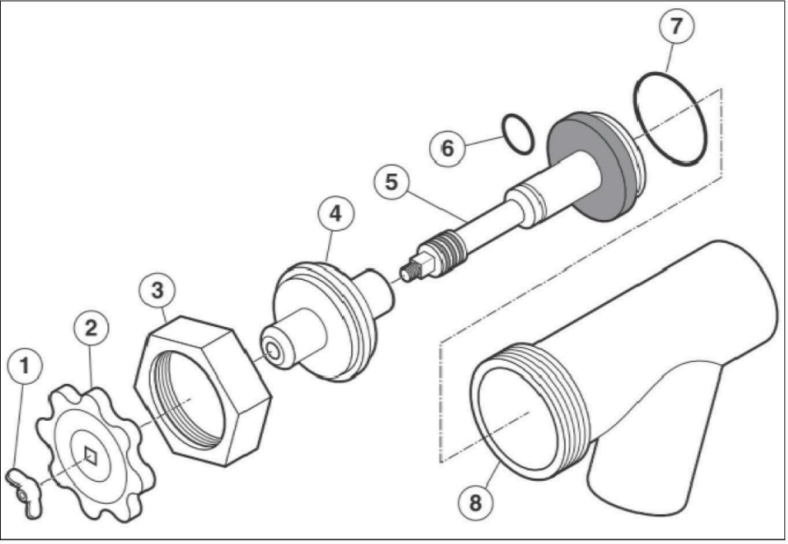


#	DESCRIPTION	DATE	APPROVED
D	ITEM # 7 MANUFACTURER PART # 2-322V70B-FDA WAS AS568A-322	07/30/2019	FGUIRGUIS

### BILL OF MATERIALS

ITEM	PART #	DESCRIPTION	QTY.
1	FA95049	WING NUT;1/4-20 18-8 S/S	1
2	KE52755	KNOB;TD2	1
3	FI05180-1	HEX NUT; 2" ACME THREAD	1
4	KE52753	RETAINER TD-2	1
5	KE52752-1	VALVE PISTON	1
6	FA05002-24	O-RING; BUNA-N (A-111)	1
7	FA05002-55	O-RING; FDA VITON (2-322V70B-FDA)	1
8	KE52751	VALVE BODY, TD-2	1



△ D

PURCHASED COMPLETE, EFFECTIVE 10/10/2014

<small>THIS DESIGN COVERS A PROPRIETARY ITEM AND IS THE PROPERTY OF CLEVELAND RANGE LTD. THIS DRAWING IS NOT TO BE COPIED OR USED WITHOUT THE APPROVAL OF CLEVELAND RANGE LTD.</small>		<small>FOR GENERAL TOLERANCES REFER TO PH-043</small>		<b>CLEVELAND RANGE LTD.</b> 8251 KEELE STREET, CONCORD, ONTARIO, CANADA		TITLE <b>2" DRAW-OFF VALVE ASSEMBLY TD-2</b>	
MATERIAL TYPE & GRADE FORM SIZE FINISH		DO NOT SCALE PRINTED DRAWING		DRAWN BY <b>LUCIAN</b>		DATE <b>01/25/2012</b>	
				SIZE <b>B</b>		DRAWING NO. <b>KE50972-B</b>	
				SHEET 1 OF 1		REV <b>D</b>	