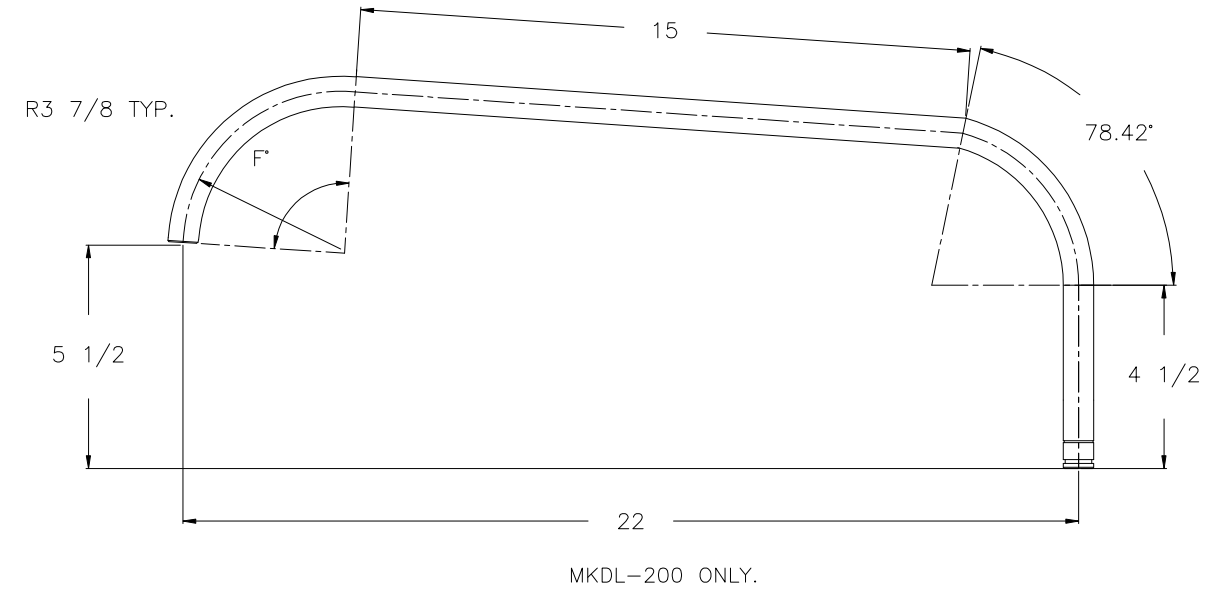
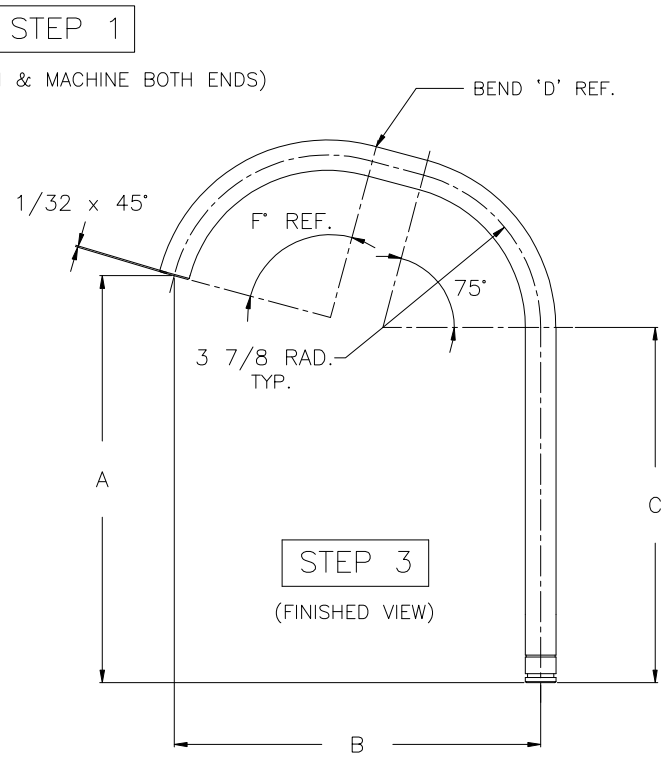
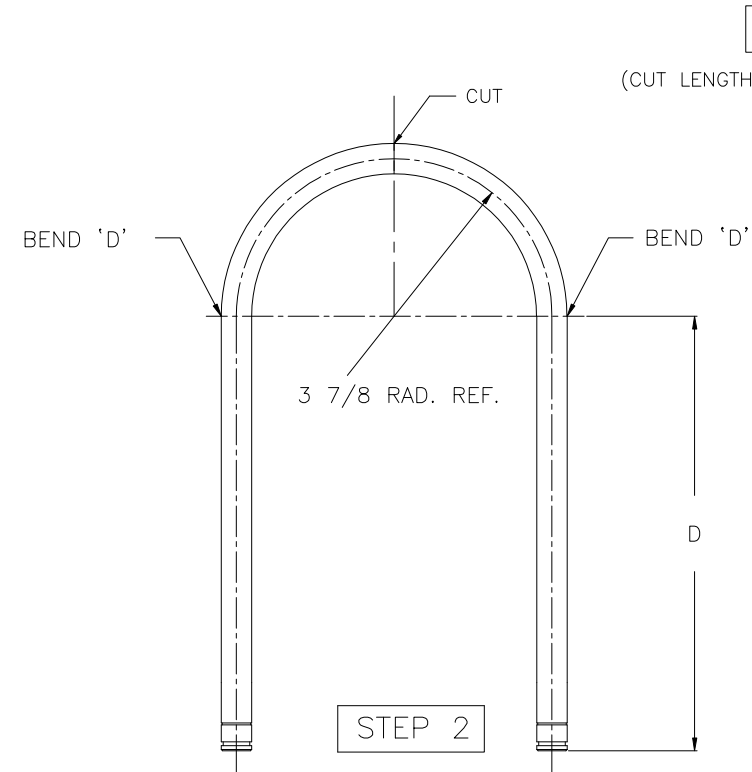
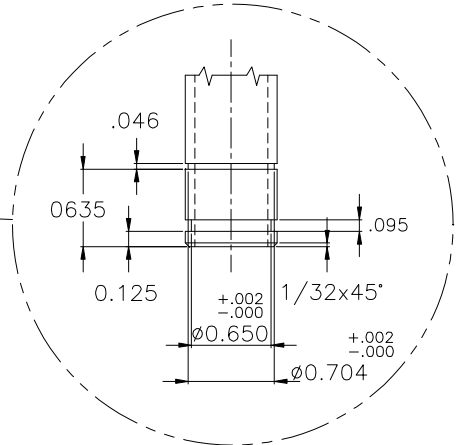
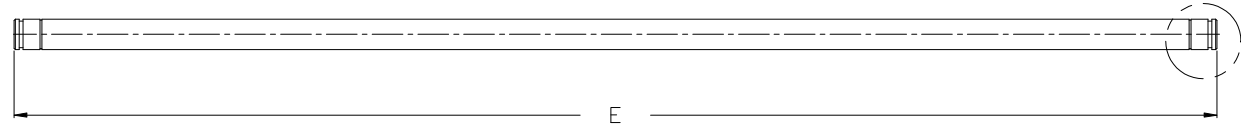


	DWG. NO.	REV.	A	B	C	D	E	F (DEG.)	WHERE USED
△D1	KE50825-1	C	25 1/2	10 5/8	24 1/8	32 5/8	77 9/16	90°	KDT-12/20-T (MOUNTED ON SD SD TABLES & ST STAND)
△D1	KE50825-2	C	12 1/2	14	9 25/32	21 15/32	55 1/4	90°	KDL-60/80/100-T, KEL-40/60/80/100-T, KET-20-T, KGL-60/80-T , KGT-6/12-T, MKET-12/20-T, KDP-60/80-T, KDM-60/-T
△D1	KE50825-3	D	7 13/16	16	4 27/32	18 17/32	49 3/8	90°	KDL-25/40-T, KEL-25-T, KGL-40-T , KDP-25/40-T, KGL-40-TSH
	KE50825-4	B	8 5/8	22	3 3/4	23 3/4	59 3/4	90°	WATER METER(WM)
	KE50825-5	B	6	8	4 7/8	10 3/8	33	90°	ALL STATIONARY KETTLES
	KE50825-6	D	10	9	8 5/8	15 1/8	42 9/16	90°	KDM-25/40/-T, SKILLET-TR, SET-10/15
△D1	KE50825-7	B	6 5/32	14	2 3/4	14	40 1/4	80°	MKDL-40 TO 150. KDL-40/60/80-TSH & KEL-40/60-TSH, KGL-25-T
	KE50825-8	D	17 1/2	11	14 5/8	22 1/2	57 1/16	90°	KDT-6-T (MOUNTED ON SD SD TABLES & ST STAND)
	KE50825-9	C	10	12 1/4	6 7/8	16 7/16	45 1/2	90°	TKET-3/6/12-T, KET-3/6/12-T
△D1	KE50825-10	A	13 1/2	18 1/2	9 9/16	25 15/16	64 3/16	90°	KDL-125/150-T, KGL-40/60/80-T & KGL-40-TSH
	KE50825-11	B	17	22 7/8	12	32 13/16	78	90°	HA-MKGL-60/80/100-T
△D1	KE50825-12	B	5 1/2	22	4 1/2	25	62 11/32	90°	MKDL-200

#	DESCRIPTION	DATE	APPROVED
D1	FOR KGL-60/80-T WAS -2 NOW -10 FOR KGL-40-T AND KGL-40-TSH WAS -3 NOW -10	09/21/2011	FYOUNAN
D1	REVISED -1: WAS 9 NOW 10 5/8 WAS 30 5/8 NOW 32 5/8 AND WAS 73 9/16 NOW 77 9/16	11/23/2011	FYOUNAN
D1	REVISED -12: WAS 25.5 NOW 25 REVISED -7: WAS 14 21/32 NOW 14	12/12/2011	FYOUNAN



THIS DESIGN COVERS A PROPRIETARY ITEM AND IS THE PROPERTY OF CLEVELAND RANGE LTD.
THIS DRAWING IS NOT TO BE COPIED OR USED WITHOUT THE APPROVAL OF CLEVELAND RANGE LTD.

MATERIAL S.S. 304
TYPE & GRADE
FORM SEAMLESS MECHANICAL TUBING
SIZE 3/4 O.D. x .062 wall thk.
FINISH #4

FOR GENERAL TOLERANCES REFER TO PWI-043

CLEVELAND RANGE LTD.
8251 KEELE STREET, CONCORD, ONTARIO, CANADA

DO NOT SCALE PRINTED DRAWING

DRAWN BY

DATE 2/28/2007

TITLE **SPOUT; FAUCET ALL**

SIZE B

DRAWING NO. KE50825

SHEET 1 OF 1

REV D1