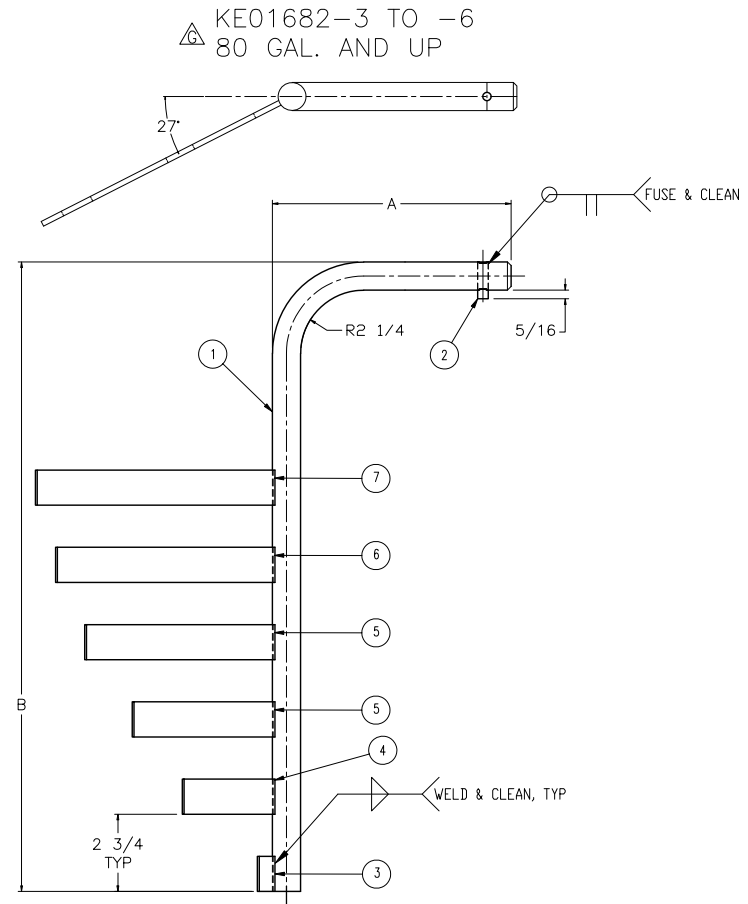
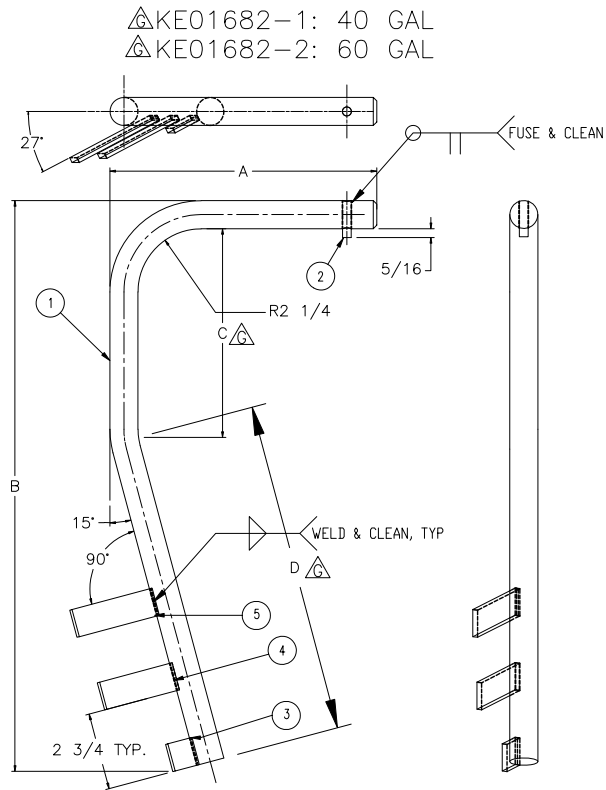


PART NUMBER	REV.	KETTLE SIZE	'A'	'B'	'C'	'D'
KE01682-1	B	40	9 3/4	20 1/8	7 7/16	11 13/16
KE01682-2	B	60	8 1/2	22 7/16	11 7/16	9 15/16
KE01682-3	A	80	7 1/2	24 3/4	-	-
KE01682-4	A	100	7 3/4	26 1/8	-	-
KE01682-5	A	125	9 1/8	26 5/16	-	-
KE01682-6	A	150	9 1/8	31	-	-

#	DESCRIPTION	DATE	APPROVED
G	KE01682-1: DIM A WAS 9 1/2	04/07/2011	Isuditu
	KE0182-1 AND -2: ADDED DIM, C AND D		



FOR GENERAL TOLERANCES REFER TO PWH-043

CLEVELAND RANGE LTD.
8251 KEELE STREET, CONCORD, ONTARIO, CANADA

TITLE
**FOOD BAFFLE
VERTICAL MIXER KETTLE**

DO NOT SCALE
PRINTED DRAWING

DRAWN BY
LUCIAN

DATE
03/13/2009

SIZE
B

DRAWING NO.
KE01682

SHEET 1 OF 1

REV
G