

Mixing Kettles - Gas, Horizontal Agitator easyDial & Potentiometer Control

Parts Manual

This manual is updated as new information and models are released. Visit our website for the latest manual

MODELS:

HA-MKGL-60

HA-MKGL-60-T

HA-MKGL-80

HA-MKGL-80-T

HA-MKGL-100

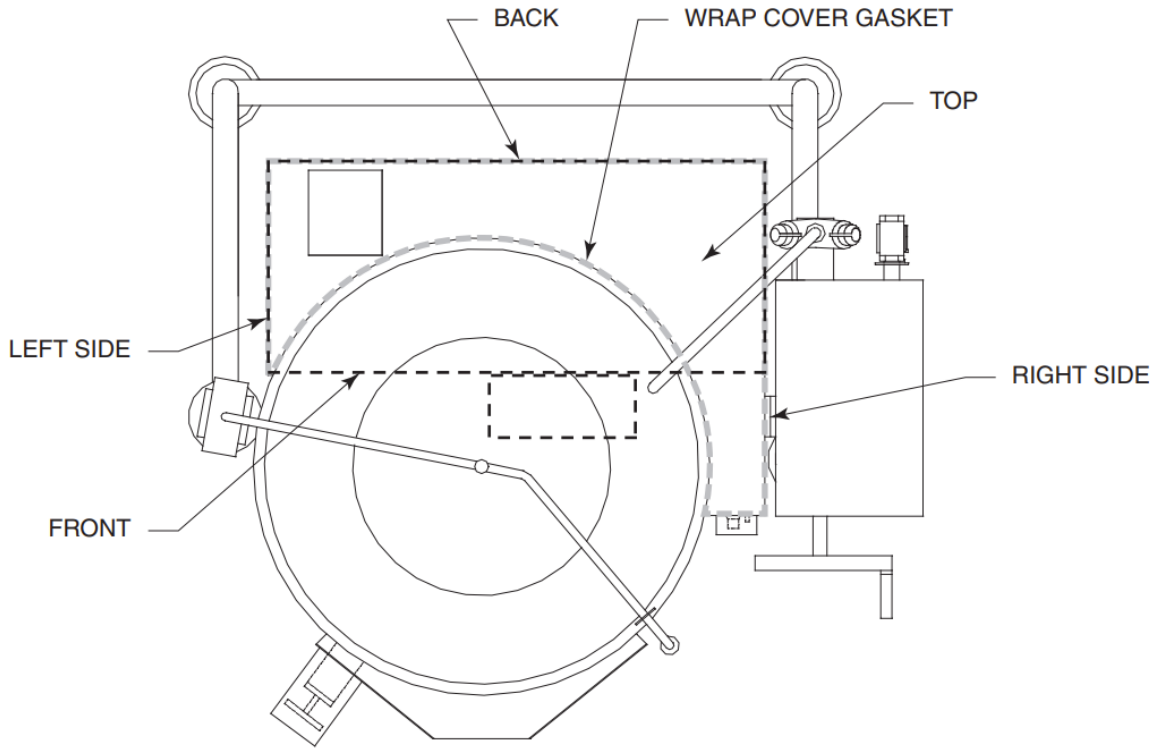
HA-MKGL-100-T



TABLE OF CONTENTS

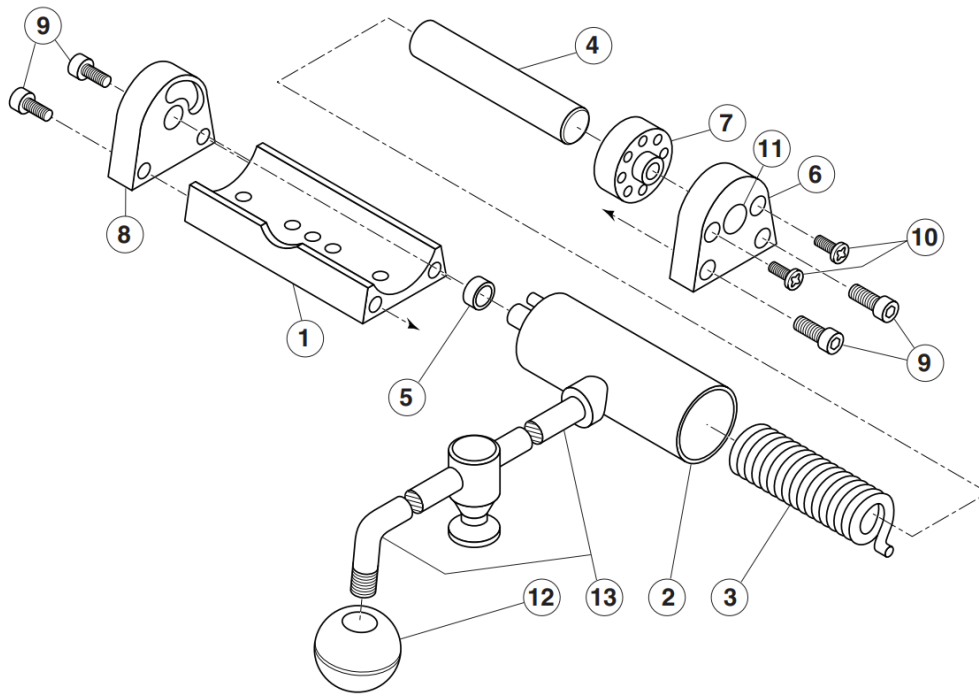
WRAP COVERS.....	1
HINGE ASSEMBLY	2
FAUCETS.....	3
KETTLE CONTROL - POTENTIOMETER	4
SIGHT GLASS	4
BIRD HOUSE CONTROL PANEL (KE604438).....	5
ELECTRICAL COMPONENT BOX - 115 VOLT UNITS	6
GAS CONTROL ASSEMBLY.....	7
TRUNNION HOUSING – TILTING KETTLES (KE02112).....	9
TRUNNION BEARING ASSEMBLIES (INCLUDES PART # 3, 4 & 6).....	9
FLUSH PISTON VALVE - FPVA-3 (KE02291-1).....	10
AIR SOLENOID ASSEMBLY FOR FPVA3 (KE02292)	11
BUTTERFLY VALVE (BV-3).....	12
FLUSH BALL VALVE (FBV-2).....	13
PNEUMATICS - STATIONARY (KE02298).....	14
GEARMOTOR – ELECTRICAL ASSEMBLY	15
COMPONENT PLATE ASSEMBLY – POWER TILT	16
ASSEMBLY DRAWING TILTING UNITS	17
SCRAPER BLADES.....	19
AGITATOR SEAL ASSEMBLY	19
AGITATOR CONTROLS - STATIONARY	19
TEMPERATURE SENSOR	19
GEAR BOX ASSEMBLY - POTENTIOMETER.....	20
KETTLE WIRE TERMINATION ASSEMBLY (REMOTE CONSOLE OPTION).....	25
PRESSURE RELIEF ASSEMBLY	26
PLUMBING ASSEMBLY, WATER METER	27
SPRING ASSISTED, 2 PIECE COVER WITH SCREEN.....	28
POWER CUT-OFF SWITCH	29
WIRING DIAGRAM – easyDial (200V-240V).....	30
WIRING DIAGRAM – easyDial - 480V	31
WIRING DIAGRAM – POTENTIOMETER - 208-240V.....	32
WIRING DIAGRAM – POTENTIOMETER - 460-480V.....	34
SPARE PARTS LIST	36

WRAP COVERS



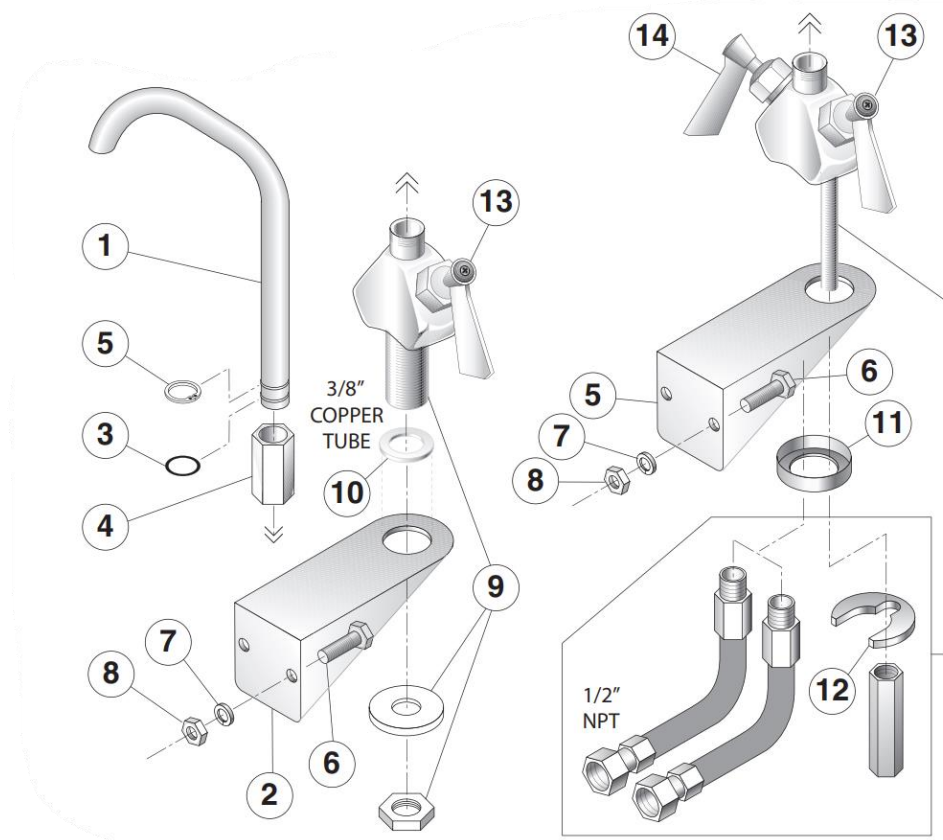
KETTLE	TOP (c/w gasket)	FRONT	LEFT SIDE	RIGHT SIDE	BACK	SERVICE WRAP COVER GASKET
HA-MKGL-60	KE01479-1	KE53483-5	KE54253-1	KE01432-1	KE02186-2	SKE54419-2
HA-MKGL-80	KE01479-2	KE53483-6	KE54253-2	KE01432-2	KE02186-2	SKE54419-3
HA-MKGL-100	KE01479-3	KE53483-7	KE54253-3	KE01432-3	KE02186-2	SKE54419-4
HA-MKGL-60-T	KE01479-1	KE53483-1	KE54253-1	KE01432-1	KE02186-2	SKE54419-2
HA-MKGL-80-T	KE01479-2	KE53483-2	KE54253-2	KE01432-2	KE02186-2	SKE54419-3
HA-MKGL-100-T	KE01479-3	KE53483-7	KE54253-3	KE01432-3	KE02186-2	SKE54419-4

HINGE ASSEMBLY



-	KE00597-7	HINGE ASSY; 60-100 GALLONS, 30-60F (HEAVY SPRING), LH						▼
-	KE00597-6	HINGE ASSY; 26 GALLONS (100 DEG. OPENING, LIGHT SPRING)						▼
-	KE00597-4	HINGE ASSY; KGL-40TSH, HA-MKGL, KDM60T/CT (100 DEG. OPENING, HEAVY SPRING)					▼	
-	KE00597-2	HINGE ASSY; 60-100 GALLONS, 30-60F (HEAVY SPRING)				▼		
-	KE00597-1	HINGE ASSY; 30-40 GALLONS, 20F, KDM25-40T/CT (LIGHT SPRING)						▼
ITEM	PART #	DESCRIPTION	QTY	QTY	QTY	QTY	QTY	QTY
1	KE50822	HINGE BASE; CHS	1	1	1	1	1	1
2	KE51217	HINGE CYLINDER	1	1	1	1	1	1
3	KE50121-1	HINGE SPRING; HEAVY (0.187/12 COILS)	-	1	1	-	-	-
	KE50121-2	HINGE SPRING; LIGHT (0.162/16 COILS)	1	-	-	1	-	-
	KE50121-3	HINGE SPRING; HEAVY (0.187/12 COILS) LH	-	-	-	-	-	1
4	KE50823-1	HINGE PIN; LIGHT SPRING	1	-	-	1	-	-
	KE50823-2	HINGE PIN MODIFIED; HEAVY SPRING	-	1	1	-	-	-
5	KE50824	HINGE BEARING; MODIFIED	1	1	1	1	1	1
6	KE50819	HINGE END PIECE; RHS	1	1	1	1	1	1
7	KE50820	HINGE END PIECE; CHS	1	1	1	1	1	1
8	KE50819-1	HINGE END PIECE; LHS	1	1	-	-	-	-
	KE50819-2	HINGE END PIECE; LHS MODIFIED (TO 100 DEGREE)	-	-	1	1	-	-
9	FA11284	SCREW; 1/4-20 X 1/2" HEX SOCKET	4	4	4	4	4	4
10	KE50819-3	HINGE END PIECE; LHS	-	-	-	-	-	1

FAUCETS

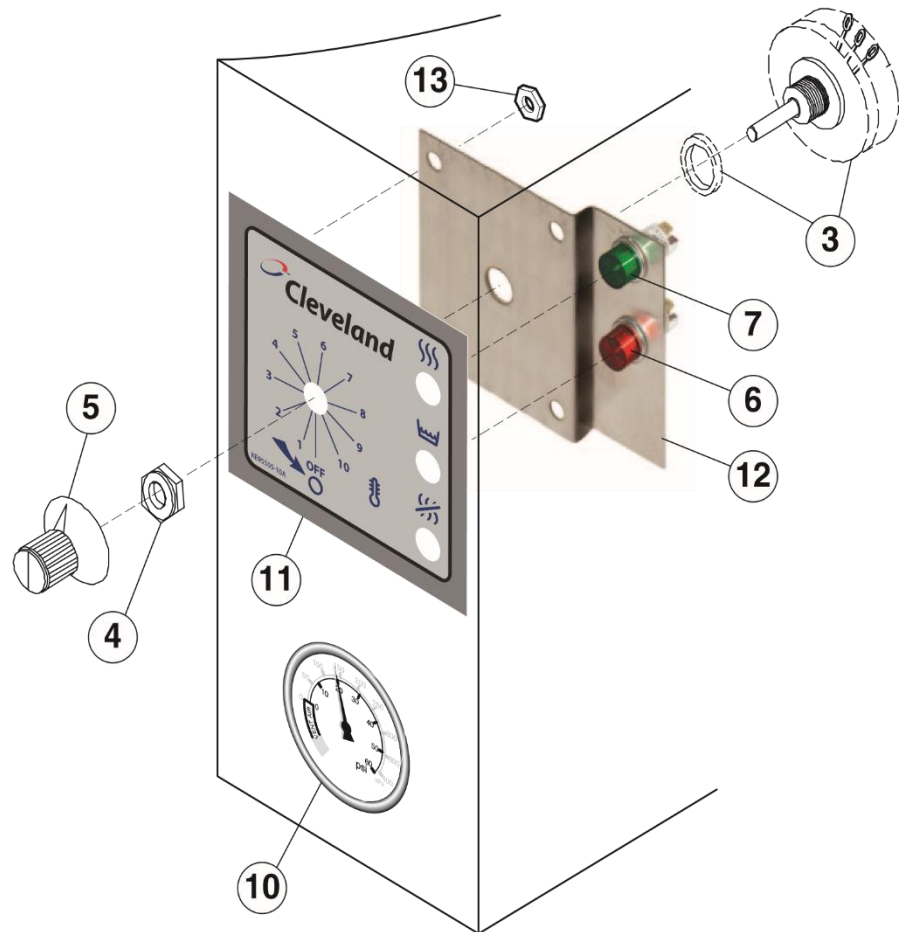


ITEM	PART #	DESCRIPTION	QTY
	SPK	SINGLE PANTRY FAUCET KIT , (includes items 1-10) see next page for ordering information	
	DPK	DOUBLE PANTRY FAUCET KIT , (includes items 1-8 & 11) see next page for ordering information	
1	KE50825	SPOUT , see next page for ordering information	
2	-	FAUCET MOUNTING BRACKET , see next page for ordering information	1
3	FA05002-19	"O" RING	1
4	KE51736	LONG FAUCET RING	1
5	FA95007-10	RETAINING RING	2
6	FA11258	HEX CAP SCREW	2
7	FA31029	LOCK WASHER	2
8	FA21008	HEX NUT	1
9	KE51401	SINGLE PANTRY BODY (c/w item 13)	1
10	KE50335	ADAPTOR WASHER	1
11	KE51403	DOUBLE PANTRY BODY (c/w item 13 & 14)	1
12	KE50447	REPLACEMENT HORSESHOE WASHER	1

FAUCETS

MODELS			
	FAUCET KIT	BRACKET	SPOUT
HAMKGL60/80/100T	SPK11 DPK11	KE54159	KE50825-11
HAMKGL60/80/100	DPK17 SKP17	N/A	KE50825-12

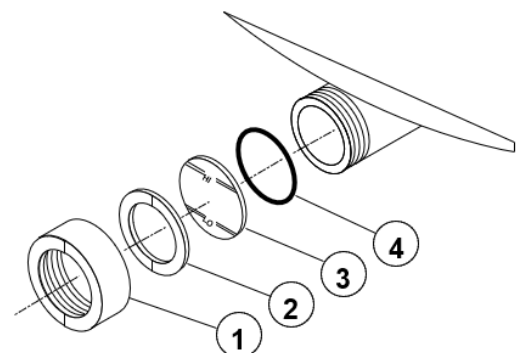
KETTLE CONTROL - POTENTIOMETER



ITEM	PART #	DESCRIPTION	QTY.
3	SE00114	POTENTIOMETER WITH ON/OFF SWITCH, C/W ITEM #4	1
4	KE51005	RUBBER BOOT	1
5	KE50569-1	KNOB, POTENTIOMETER	1
6	KE55486-2	INDICATOR LIGHT, RED	1
7	KE55486-3	INDICATOR LIGHT, GREEN	1
10	KE50429-6	PRESSURE GAUGE	1
11	KE95555-10	LABEL	1
12	KE603836	BRACKET, LIGHT	1
13	FA21006	#10-24, HEX NUT, S.S.	4

SIGHT GLASS

ITEM	PART #	DESCRIPTION	QTY.
1	KE50955	RETAINING COVER	1
2	KE52871	GASKET	1
3	KE51053	SIGHT GLASS	1
4	FA05002-30	"O" RING	1



BIRD HOUSE CONTROL PANEL (KE604438)



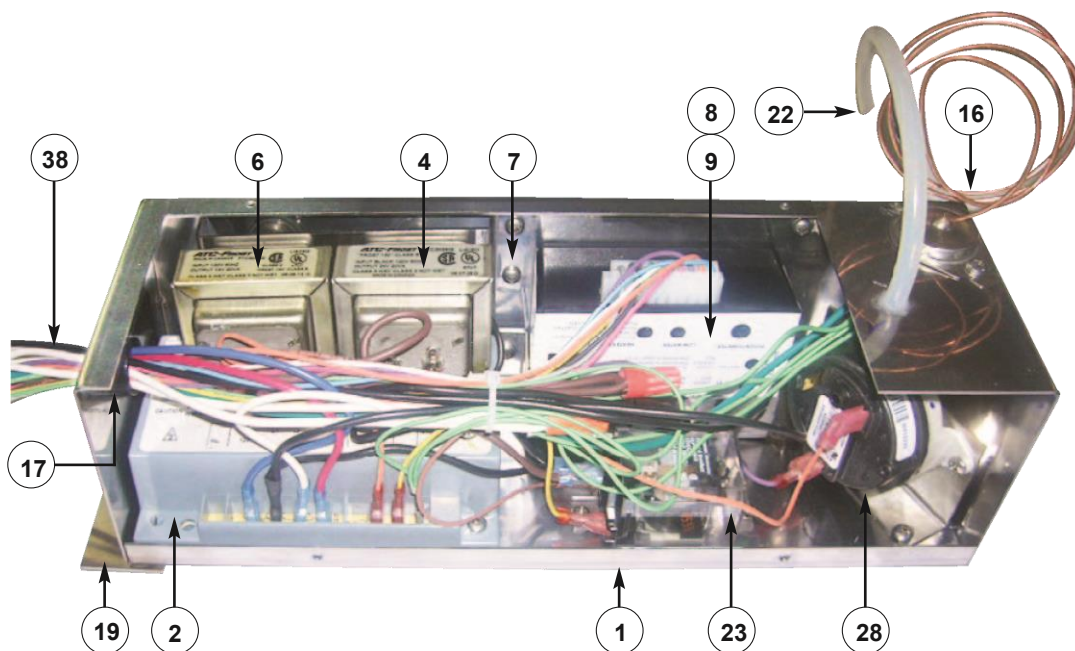
ITEM	PART #	DESCRIPTION
1	KE003209-1	SWITCH TO CONTROL THE DATA LOGGER.
2	KE003209-10	PUSH BUTTON TO LOAD THE DATA ONTO A USB STICK.
3	KE003209-6	INTERRUPTS FLOW WITHOUT RESETTING WATER METER.
4	KE003209-2	STARTS WATER FLOW TO KETTLE.
5	KE003209-1	POWER SWITCH TO WATER METER.
6	KE53257-1	DIGITAL COUNTER
7	KE604112	DIGITAL TEMPERATURE CONTROL AND INDICATOR.
8	KE603208-2	SWITCH TO ACTIVATE OR BYPASS (MANUAL OPERATION) THE CONTROLLER.
9	KE604411	DATA LOGGER
10	KE605016	CAP TO PROTECT THE USB PORT.
*11	KE604652	WIRING HARNESS, easyDial, 10FT

*Not Shown

COMPONENTS AVAILABLE FOR SERVICE

PART NUMBER	DESCRIPTION
FA95111	2-56 X 1/2" SCREW, 18-8SS
KE604144	SPACER TUBE
KE604176	KNOB

ELECTRICAL COMPONENT BOX - 115 VOLT UNITS

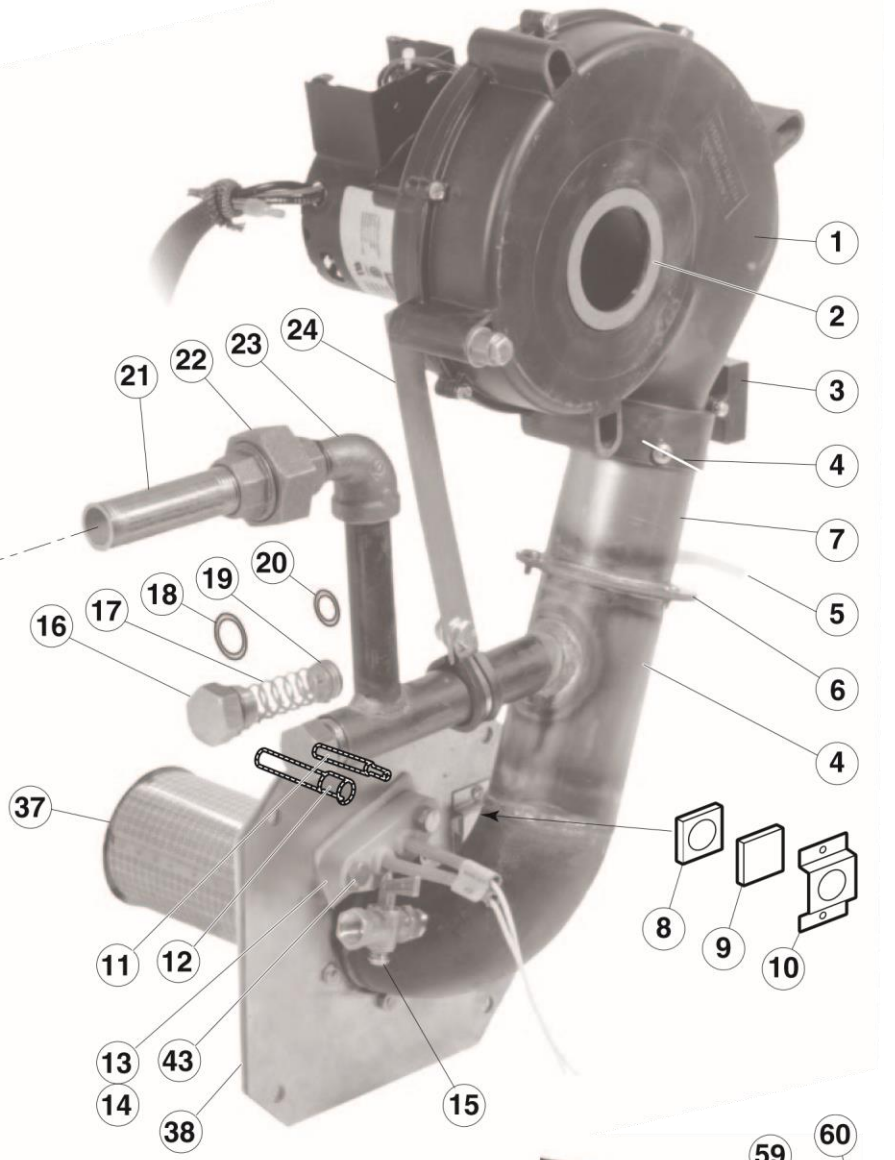
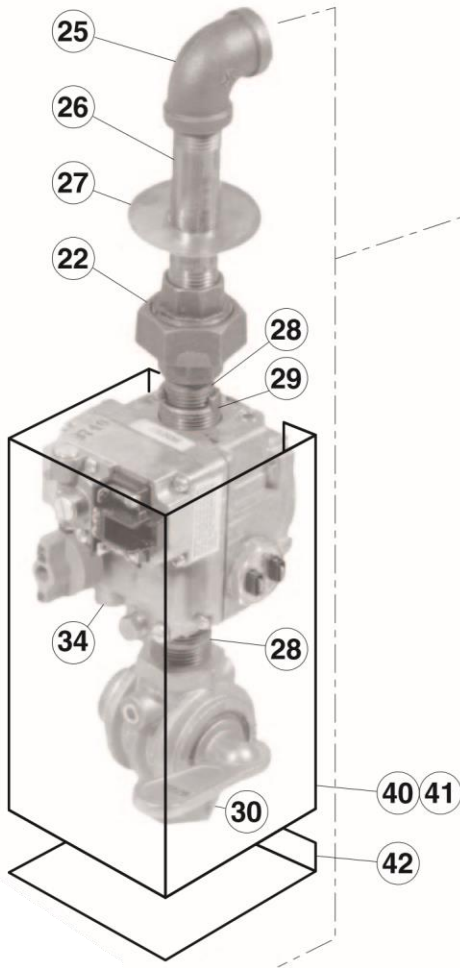


ITEM	PART#	DESCRIPTION	QTY.
1	KE003654	COMPONENT BOX WELDMENT; KGL/-T	1
2	KE53469-5	IGNITION CONTROL; KGL/T (CSA/CE/AGA APPROVED)	1
4	KE53838-20	TRANSFORMER;120 V PRIMARY/24 V SECONDARY,60HZ, 20 VA	1
6	KE53838-27	TRANSFORMER;120 V PRIMARY/14 V SECONDARY,60HZ, 20 VA	1
7	KE603765	TRANSFORMER BRACKET	1
8	KE00458-1	KETTLE CONTROL BOX	1
9	KE50303-1	ELECTRONIC BOX HOLDER	1
*10	KE53599-1	GASKET; KGL/KGL-T	1
16	KE55069-6	THERMOSTAT;SAFETY(KGT/KGL)	1
17	KE54833-3	SNAP-IN BUSHING; 0.875 DIA.	1
*18	KE53440	COVER; COMPONENT BOX (KGL/-T)	1
19	KE53620	BRACKET FOR COMPONENT BOX	1
22	KE55501-1	TUBE; AIR SWITCH	1
23	KE50753-7	RELAY; SPDT/10A/12VDC #MJN1CF-DC12	1
*24	FA15018-4	SCREW; PHILIPS 8-32X3/8"L	4
*25	FA15018-3	SCREW; PHILIPS 8-32X1/4"L	6
*26	FA10243	SCREW; SLOT 8-32X3/4"L	2
*27	FA15018-7	SCREW; PHILIPS 6-32X1/4"L	2
28	KE02400-1	AIR PRESSURE SWITCH ASSEMBLY; DOMESTIC AND CE	1
*29	KE54662-1	HEAT SHRINKABLE TUBING; 3/126 ID 12" LONG	1
*30	KE54662-2	VARFLO SLEEVING 12" LONG	1
*31	NPN00163	CONNECTOR; MARR NO. 2	1
*32	KE54668-1	TERMINAL; FULLY INSULATED AMP#2-520181-2 OR 182-2	2
*33	KE50988-1	POTENTIOMETER; C/W ON/OFF SW REV LOG TAPER	1
*34	KE50567-1	LIGHT; RED-WATER INDICATOR #249-7867-3331-504	1
*35	KE50567-3	LIGHT; GREEN-HEAT INDICATOR #249-7967-3332-504	1
*36	KE51005	ROTARY SEAL; #N9030 X 1/4 (AMP-HEXSEAL)	1
*37	KE52412	CONNECTOR; MARR NO. 1	2
*38	WHKGLT	WIRING HARNESS; KGL40-100	1

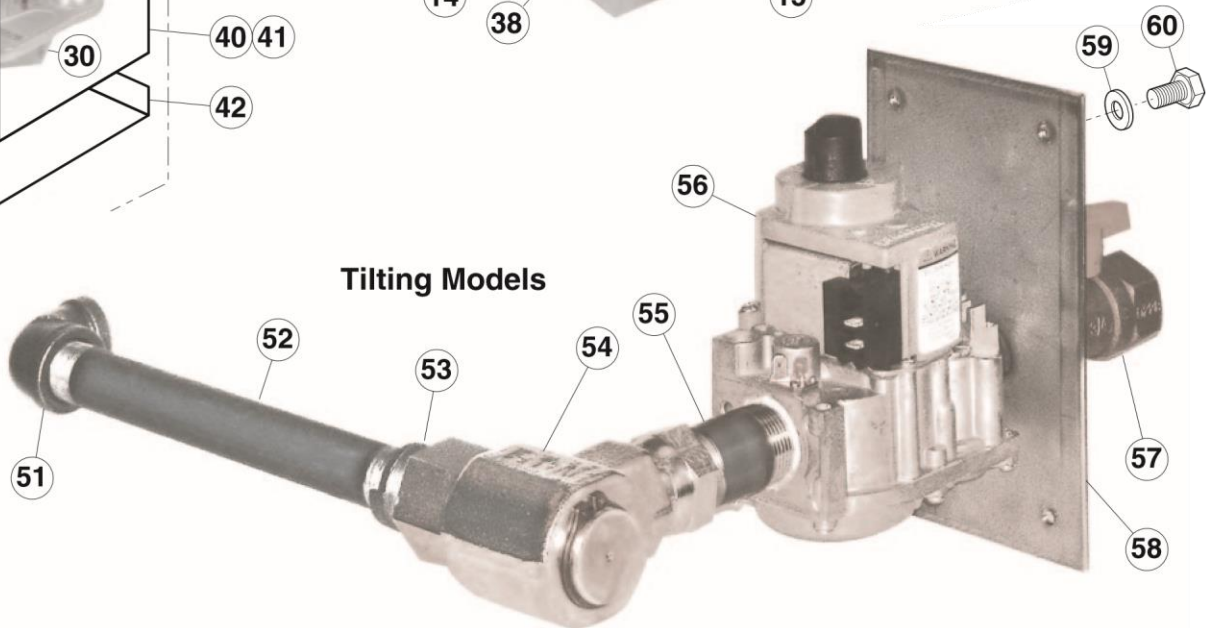
*Items not shown for clarity

GAS CONTROL ASSEMBLY

Stationary Models



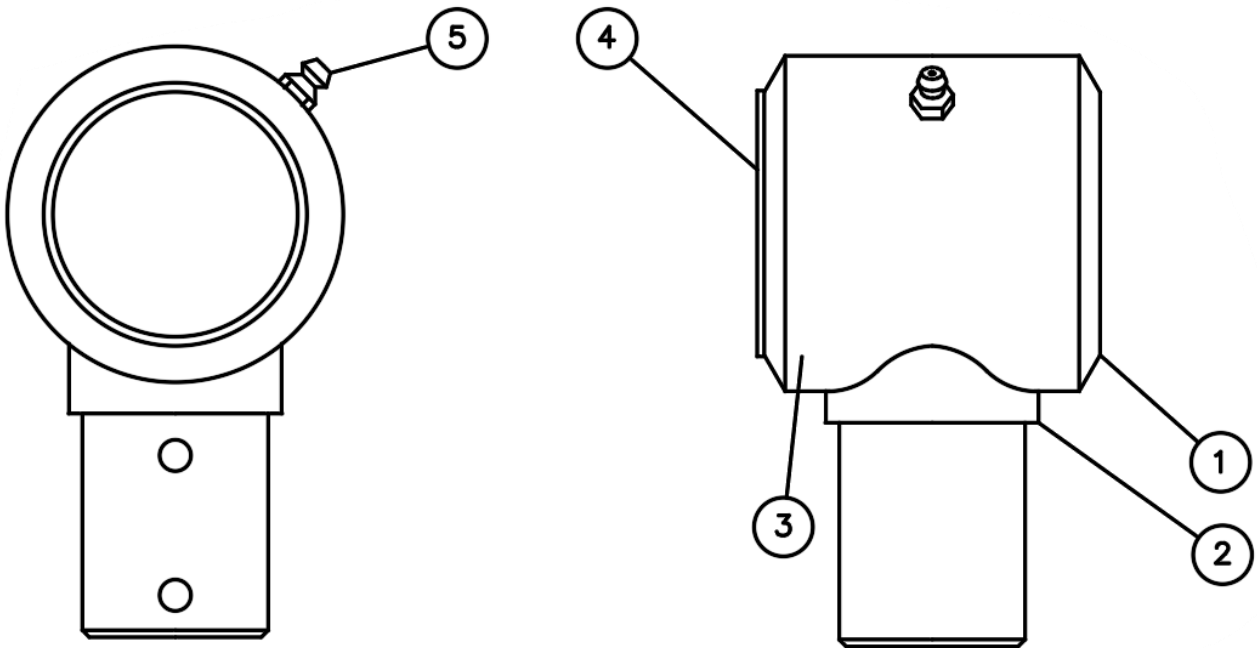
Tilting Models



GAS CONTROL ASSEMBLY

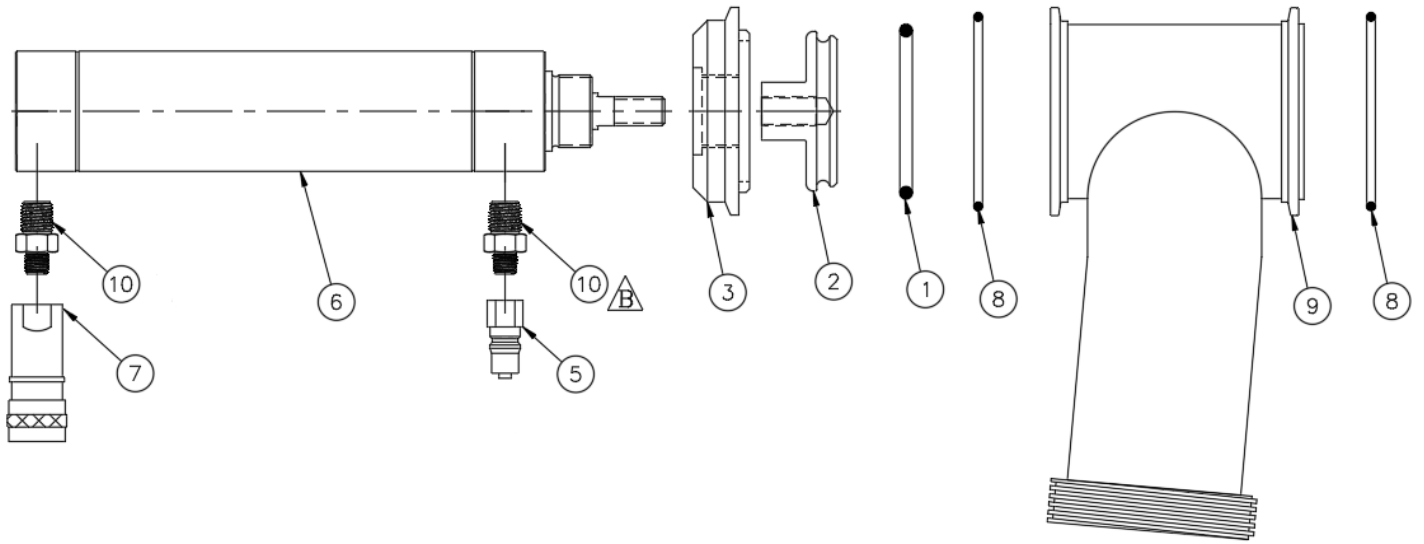
ITEM	PART #	DESCRIPTION	QTY.
1	KE53441	BLOWER, 115V, 60 HZ	1
	KE53441-1	BLOWER, 220V, 50 HZ	1
2	KE54420	AIR INTAKE WASHER (NATURAL GAS, 50hz)	1
	KE54420-1	AIR INTAKE WASHER (PROPANE, 50hz)	1
3	KE54239	CAPACITOR	1
4	KE01426-4	MIXING CHAMBER, 40 GALLON KETTLES	1
	KE01426-1	MIXING CHAMBER, 60 GALLON KETTLES	1
	KE01426-2	MIXING CHAMBER, 80 GALLON KETTLES	1
	KE01426-3	MIXING CHAMBER, 100 GALLON KETTLES	1
5	KE53582	TUBING 1/4 INCH SILICONE	1
	FI05156	HOSE FITTING	1
6	KE53402-4	AIR ORIFICE, 40 GALLON KETTLES (60hz)	1
	KE53402-1	AIR ORIFICE, 60 - 100 GALLON KETTLES (60hz)	1
	KE53402-2	AIR ORIFICE, 40 GALLON KETTLES (50 HZ BLOWER)	1
	KE53402-3	AIR ORIFICE, 60 - 100 GALLON KETTLES (50 HZ BLOWER)	1
7	KE01449	BLOWER MOUNTING PIPE ASSEMBLY	1
8	KE53618	SIGHT GLASS GASKET	1
9	KE53617	SIGHT GLASS	1
10	KE53619	SIGHT GLASS RETAINER	1
11	KE00515	THERMISTOR	1
12	KE50556-2	WATER LEVEL PROBE	1
13	KE53437-3	IGNITOR	1
14	KE53570	GASKET FOR IGNITOR	1
15	FI05257	SHUT-OFF COCK	1
16	FI05213	PLUG, C/W O-RING	1
17	KE53422	SPRING	1
19		CONSULT FACTORY FOR PROPER ORIFICE	1
18	FA05002-4	"O" RING	1
20	FA05002-29	"O" RING	1
21	N0440C5	NIPPLE, 1/2" NPT, 5 5/16" LONG	1
22	FI00073	UNION, 1/2"	1
23	FI00133	ELBOW, 1/2", STREET	1
24	KE53909	STRIP, TO HOLD BLOWER DOWN	1
25	FI00040-1	ELBOW, 1/2"	1
26	N0440C4	NIPPLE, 1/2" NPT, 4" LONG, KGL-60-T	1
	N0440C3-875	NIPPLE, 1/2" NPT, 4" LONG, KGL-80-T	1
27	KE55004-3	RETAINING PLATE	1
28	N0640C2	NIPPLE, 1/2" NPT, 2" LONG	1
29	FI05231	BUSHING, 3/4" - 1/2" NPT	1
30	F01518-1	GAS SHUT-OFF VALVE, 3/4" (NOT FOR FRENCH CE KETTLES)	1
34	KE55240R	GAS VALVE ASSEMBLY	1
37	KE01500-5	BURNER, 40 GALLON KETTLES, 140,000 BTU	1
	KE01500-1	BURNER, 60-100 GALLON KETTLES, 190,000 BTU	1
38	KE53397	GASKET, BURNER	1
40	KE601085	COVER FOR GAS VALVE	1
41	RB018151	GASKET FOR COVER	1
42	KE601081	BRACKET	1
43	FA15005	BOLT	1
51	FI00040-1	ELBOW, 1/2"	2
52	N0440C8	NIPPLE, 1/2" NPT, 8" LONG	1
53	FI05231	ADAPTOR	1
54	FI05222	SWIVEL ELBOW	1
55	FI05223-6	SPECIAL NIPPLE	1
56	KE55240R	GAS VALVE ASSEMBLY	1
57	F01518-1	GAS SHUT-OFF VALVE, 3/4"	1
58	KE000960	NIPPLE PLATE WELDMENT	1
59	FA30505-1	WASHER, 1/4"	4
60	FA11256	HEX BOLT, 1/4-20 X 1/2, 18-8 SS	4

TRUNNION HOUSING – TILTING KETTLES (KE02112)



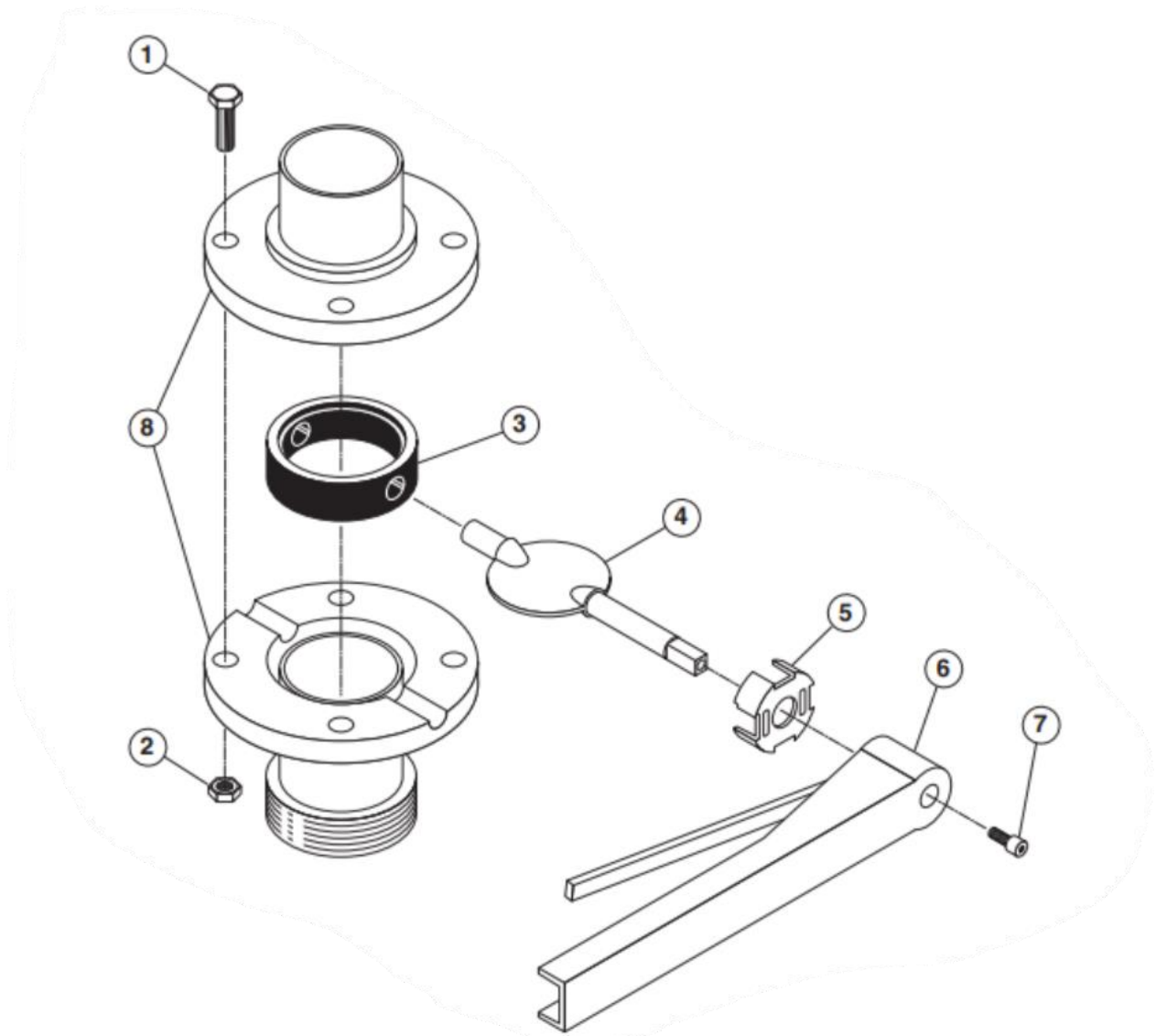
ITEM	PART #	DESCRIPTION	QTY.
TRUNNION BEARING ASSEMBLIES (INCLUDES PART # 3, 4 & 6)			
1	KE54823-1	TRUNNION HOUSING	1
2	KE54824-1	TRUNNION HOUSING SUPPORT	1
3	KE517111	NEEDLE ROLLER BEARING	2
4	KE51571-2	BEARING HOUSING WASHER	1
5	KE51886	GREASE FITTING	1

FLUSH PISTON VALVE - FPVA-3 (KE02291-1)



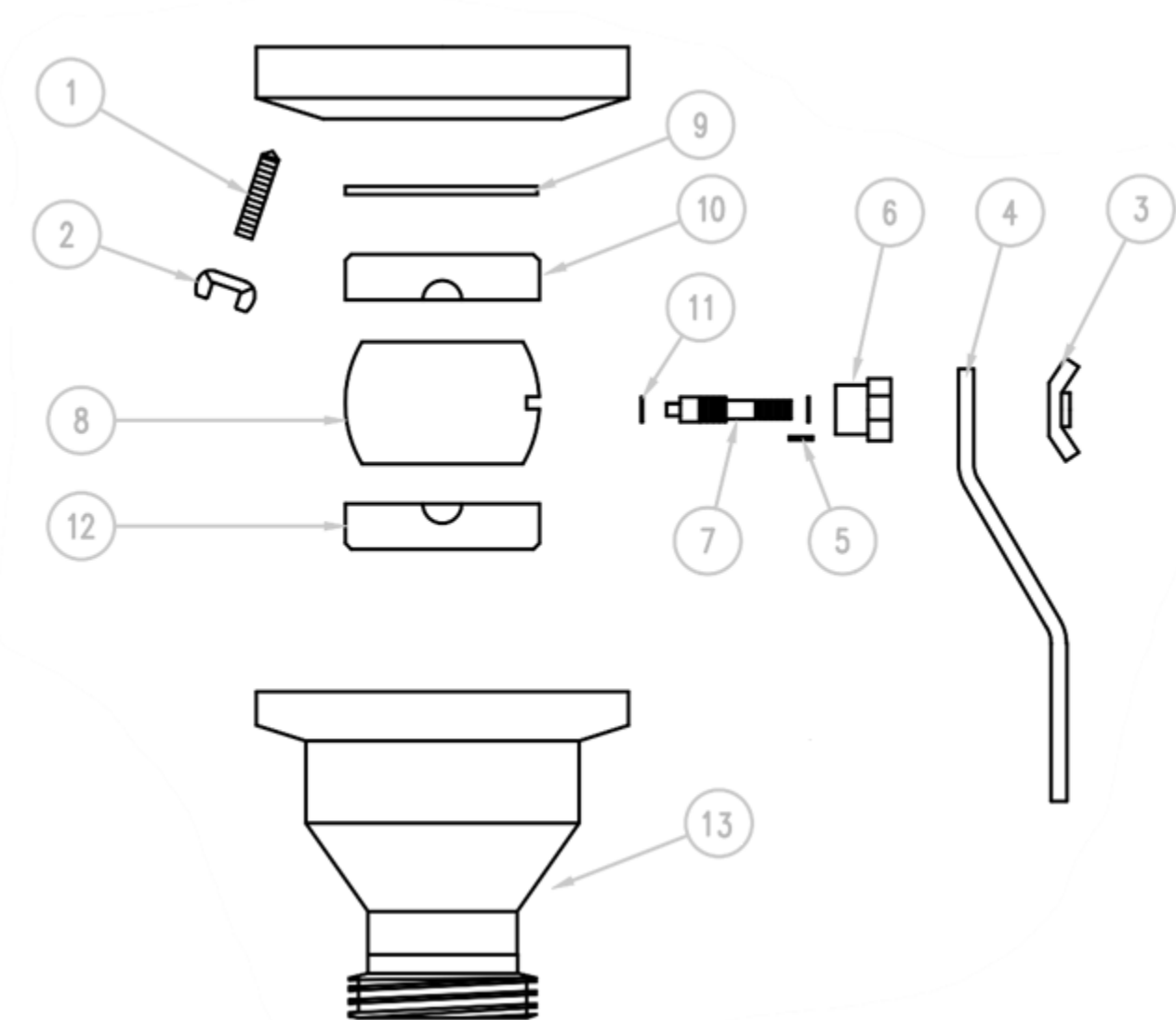
ITEM	PART #	DESCRIPTION	QTY.
1	FA05002-51	FDA BUNA N O-RING	1
2	KE55249-1	PLUNGER HEAD	1
3	KE603962	AIR CYLINDER MOUNT	1
4	KE55251	1/8 NPT BRASS HYDRAULIC CLOSE NIPPLE	2
5	KE55257	1/8 NPT BRASS QUICK DISCONNECT COUPLING (MALE HALF)	1
6	KE55253-1	AIR OPERATED CYLINDER	1
7	KE55262	1/8 NPT BRASS QUICK DISCONNECT COUPLING (FEMALE HALF)	1
8	FA05002-53	FDA BUNA N O-RING	2
9	KE003700	DISCHARGE TEE ASSEMBLY	1
10	KE55251-1	HEX NIPPLE (1/4 NPT TO 1/8 NPT)	2

BUTTERFLY VALVE (BV-3)



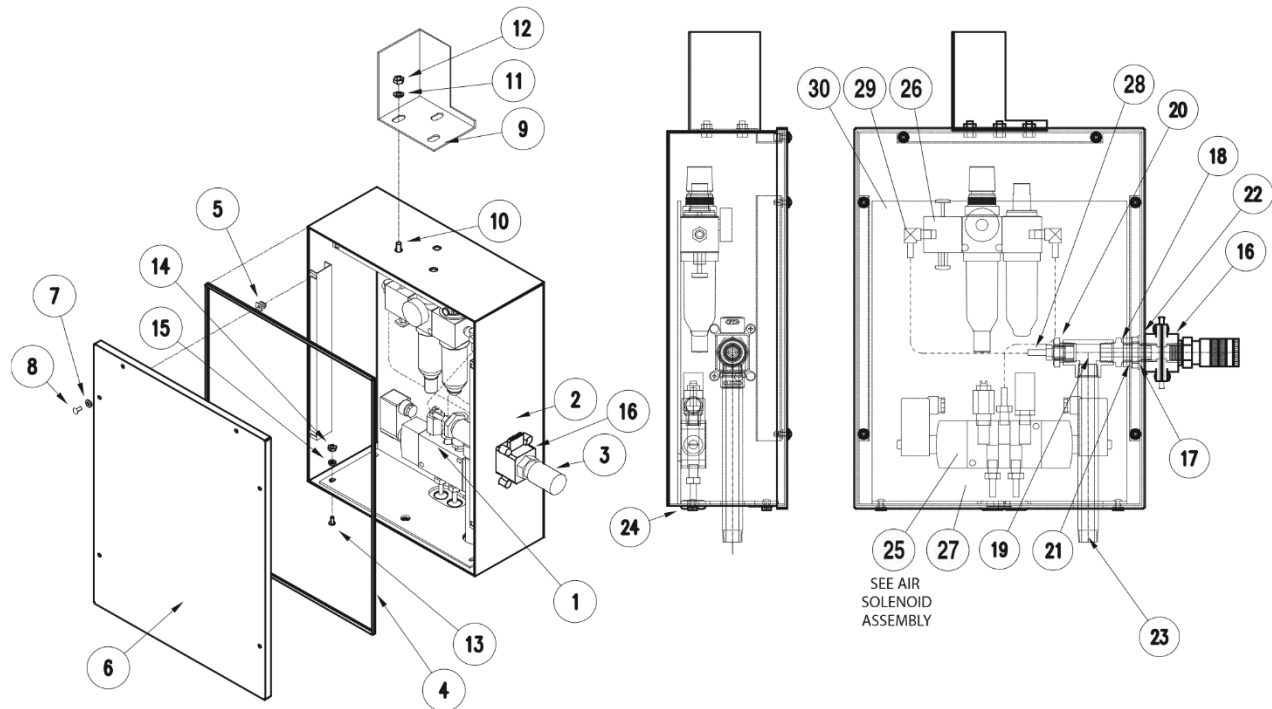
ITEM	PART #	DESCRIPTION	QTY.
1	FA11224	BOLT 5/16-18 X 1" SS	4
2	FA21024	NUT, 5/16-18	4
3	SE50433-1	SEAT 3", SILICONE	1
4	SE50434-1	STEM, 3"	1
5	SE50435-1	LOCKING SPIDER, 3"	1
6	SE50436	HANDLE ASSEMBLY	1
7	SE50437	ALLEN BOLT	1

FLUSH BALL VALVE (FBV-2)



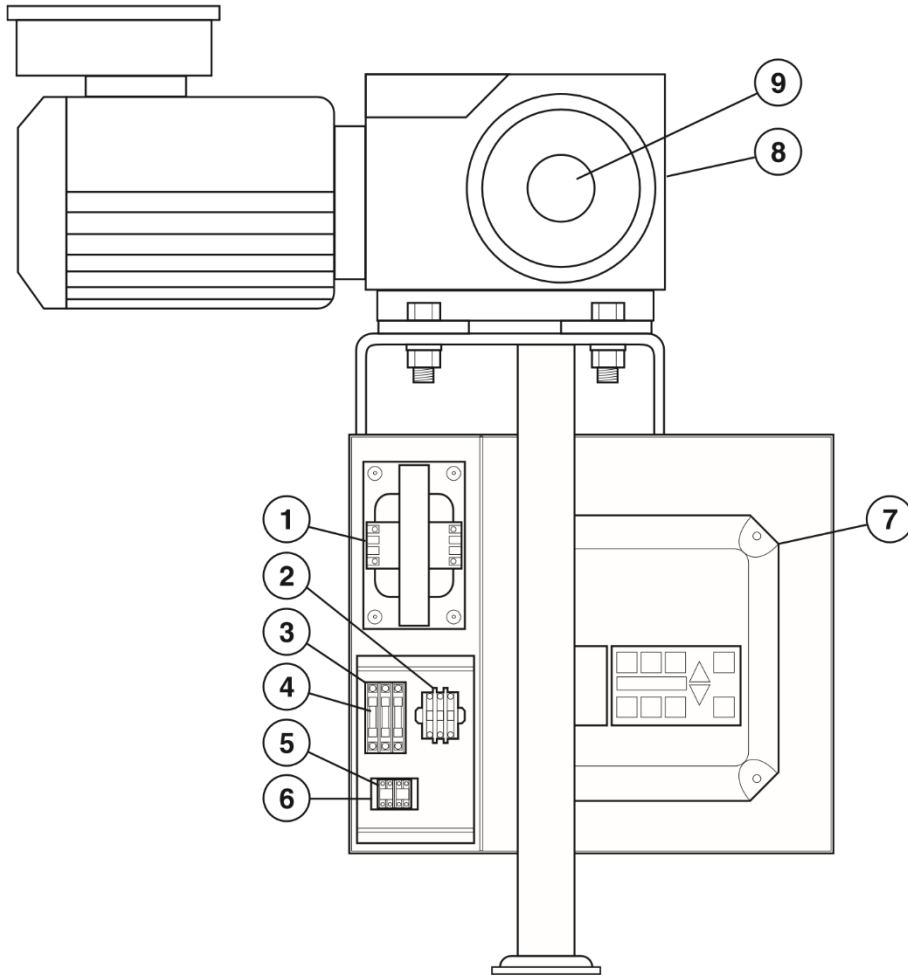
ITEM	PART #	DESCRIPTION	QTY.
1	SE50457-1	STUD	3
2	SE50457-2	WING NUT	3
3	SE50457-3	WING NUT	1
4	SE50457-4	HANDLE	1
5	SE50457-5	PIN	1
6	SE50457-6	PACKING NUT	1
7	SE50457-7	STEM	1
8	SE50457-8	BALL	1
9	SE50457-9	"O" RING	1
10	SE50457-10	SEAL, INTAKE	1
11	SE50457-11	SEAL, STEM	2
12	SE50457-12	SEAL, DISCHARGE	1
13	KE54847-1	FLUSH BALL VALVE MAIN COMPONENT	1

PNEUMATICS - STATIONARY (KE02298)



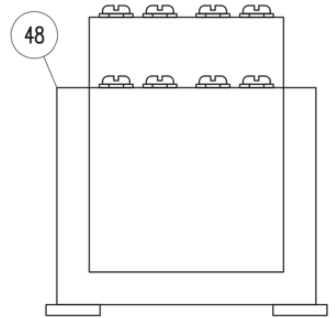
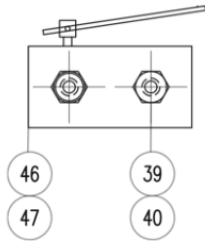
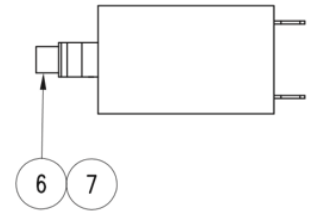
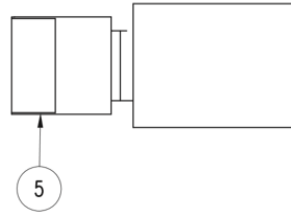
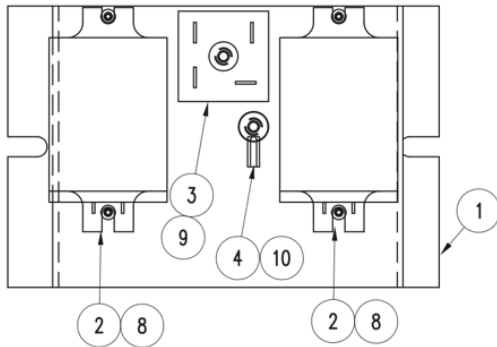
ITEM	PART #	DESCRIPTION	QTY.
1	KE02296	PNEUMATIC ASSEMBLY, INCLUDES ITEMS 25 - 31	1
2	KE02299	PNEUMATIC BOX WELDMENT	1
3	F105166	QUICK CONNECTOR, 3/8	1
4	KE54846-8	GASKET, U-CHANNEL	1
5	FA95074	NYLON ANCHOR NUT, #8 THREADED HOLE	6
6	KE55241	COVER, PNEUMATIC BOX	1
7	KE55242	SEALING WASHER, #8	6
8	FA11091	S.S. SCREW, #8-32 X 3/8, BINDING HD	6
9	KE55243	MOUNTING BRACKET, PNEUMATIC BOX	1
10	FA11255	MOUNTING BRACKET, PNEUMATIC BOX	3
11	FA30034	1/4 FLAT WASHER	3
12	FA21008	S.S. NUT, 1/4-20	3
13	FA11134	S.S. SCREW #10-24 X 3/8, PAN HEAD	4
14	FA21006	S.S. NUT, #10-24	4
15	FA30000	WASHER, #10	4
16	KE54280	SLIDE VALVE	1
17	FA30512	SPACER WASHER	1
18	KE52931	AIR FITTING	1
19	KE600814-1	TEE 1/2 NPT, BRASS, FIP X FIP X FIP	1
20	FI05047	BUSHING, REDUCER, 1/2 NPT X 1/4 NPT	1
21	KE52697	NUT, 1/2 NPT BRASS	1
22	FA32500	LOCKWASHER, INTERNAL TOOTH, 7/8	1
23	F100595-16	NIPPLE, 1/2 NPT BRASS	1
24	KE50555-3	GROMMET	2
25	KE02292	AIR SOLENOID ASSEMBLY (SEE SOLENOID ASSEMBLY DRAWING)	1
26	KE55238	FILTER - REGULATOR - LUBRICATOR BLOCK	1
27	KE55239	MOUNTING PLATE, PNEUMATIC ASSEMBLY	1
28	FI05317-2	HOSE BARB, MALE, 1/4 NPT X 1/4 HOSE	1
29	FI05167	HOSE BARB, 90° ELBOW	2
30	FI05220-1	GEAR CLAMP, 1/4 HOSE	4
31	KE53217-6	PNEUMATIC HOSE	2

GEARMOTOR – ELECTRICAL ASSEMBLY



ITEM	PART #	DESCRIPTION	QTY.
1	KE53838-2	TRANSFORMER, 200-240V	1
2	KE603902-2	CONTACTOR	1
3	KE51139-1	FUSE HOLDER	3
4	KE52936-18	15A FUSE, KLKR	3
5	PR50003	TERMINAL BLOCK	1
6	PR50005	TERMINAL BLOCK	1
7	KE54528-1	A.C. INVERTER, 230V	1
	KE54528-2	A.C. INVERTER, 460V	1
8	KE54527-1	GEAR MOTOR, 208V/60HZ	1
	KE54527-4	GEAR MOTOR, 480V/60HZ	1
9	KE54594	DRIVE SHAFT	1

COMPONENT PLATE ASSEMBLY – POWER TILT



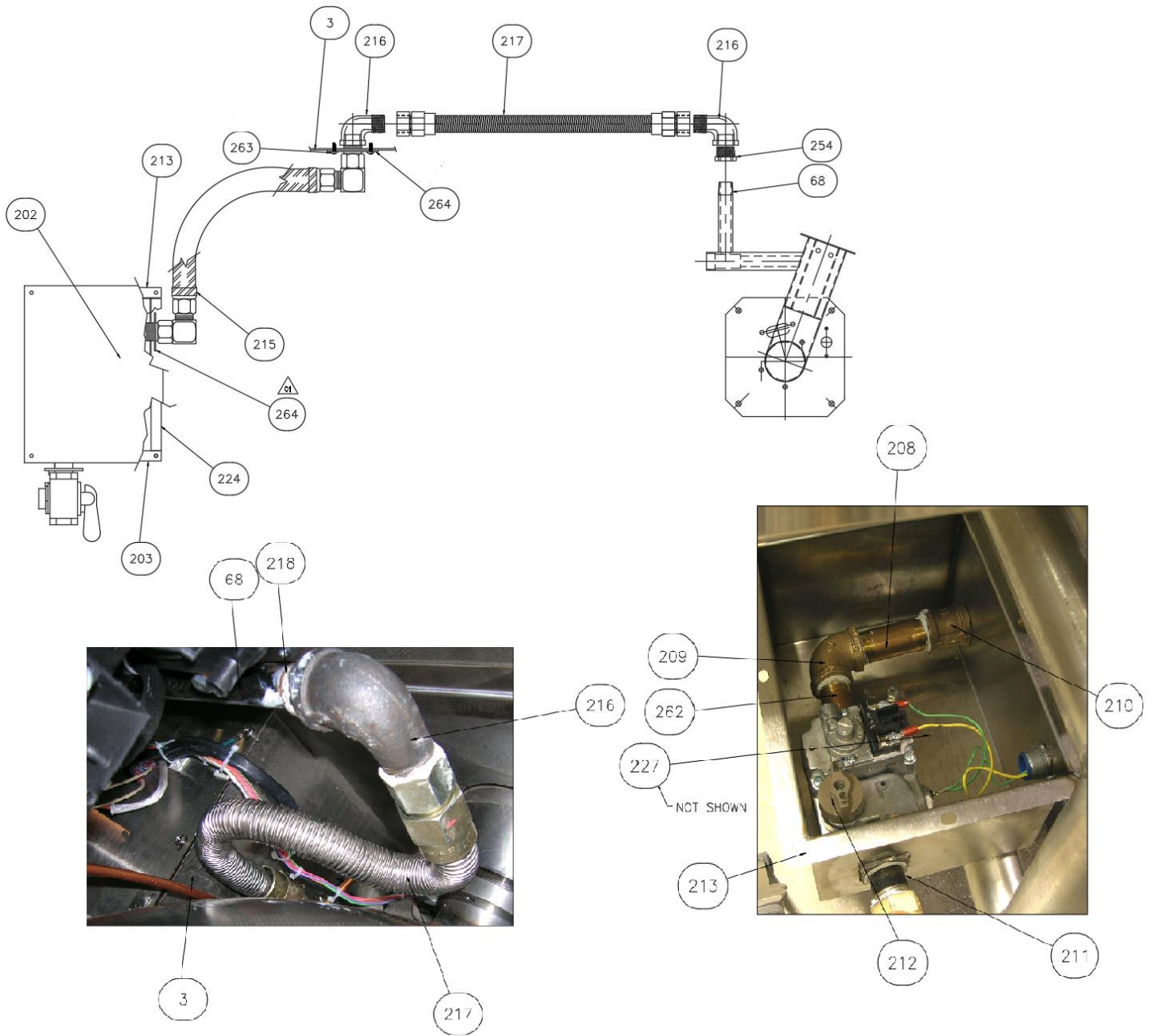
VOLTS OPTION	PART NUMBER	COMMON PARTS COMPONENT PLATE ASSY		TRANSFORMER ITEM # 48	
		PART #	QTY.	PART #	QTY.
208V	KE02185-11	KE02185-5	1	KE53838-10	1
240V-480V	KE02185-12	KE02185-5	1	KE53838-11	1
380V	KE02185-13	KE02185-5	1	KE53838-12	1
575V	KE02185-14	KE02185-5	1	KE53838-13	1

ITEM	PART #	DESCRIPTION	QTY.
1	KE50343-16	COMPONENT PLATE	1
2	KE50753-10	RELAY, 10A/120V	2
3	KE50581	BRIDGE RECTIFIER	1
4	KE50473	GROUND LUG	1
5	KE003209-11	SWITCH, POWER TILT	1
6	KE50579-1	CIRCUIT BREAKER, 1.5A	1
	KE50579-3	CIRCUIT BREAKER, 3A, USED AFTER JULY 2010	1
7	KE50580	WATER RESISTANT BOOT	1
8	FA11051	6-32 X 3/16 PAN PHIL S.S.	4
9	FA11091	8-32 X 3/8 PAN PHIL S.S.	1
10	FA11089	8-32 X 3/8 PAN PHIL S.S.	1
*11	NPN00158	FULLY INSULATED NYLON MALPLER	3
*12	KE52289-3	#8 SPADE	4
*13	NPN00143	TERMINAL, FLAG SLIP-ON	12
*14	NPN00158-1	WIRE COUPLER	2
*15	KE52295	TERMINAL, FLAG SLIP-ON	4
*16	NPN00009	WIRE JOINT PIGTAIL	1
*17	NPN00103	FULL INSULATED PUSH ON TERMINAL	3
*18	NPN00020	CABLE TIE HOLDER	5
*19	KE51627	CABLE TIE 5 1/2"	7
*20	RB01551	BLACK SLEEVING, SIZE 2, HO, L 136"	1
*39	FA20002	HEX NUT 6-32	2
40	FA11060	SCREW 6-32 X 1	2
46	KE51007	MICRO SWITCH, HONEYWELL	2
47	KE50498	MICRO SWITCH INSULATION	2
48	(SEE CHART)	TRANSFORMER	1

*Items not shown

ASSEMBLY DRAWING

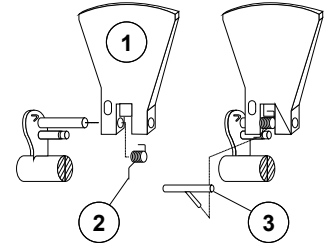
TILTING UNITS



ITEM	PART #	DESCRIPTION	QTY.
202	KE602791	COVER, GAS VALVE BOX	1
203	KE53559-18	GASKET	2
205	KE55515	GASKET	1
207	KE53515	GAS VALVE	1
208	N0640B3	SPECIAL NIPPLE	1
209	FI00063	ELBOW 90 DEG. BRASS	1
210	FI00267	3/4" COUPLING, BRASS	1
211	N0640C1-5	3/4" X 1 1/2 NIPPLE, BLK. IRON	1
212	KE02053	GAS VALVE; KGL/T,MKGLT	1
213	KE602790	GAS VALVE BOX	1
214	KE54606	GAS VALVE LOCK WASHER	2
215	SK2472703	GAS CONNECTOR HOSE (60/80/100 GAL)	1
216	FI00134	3/4" ELBOW, 90°STREET	2
217	KE602899	GAS CONNECTOR HOSE	1
219	KE51954	3/8 LIQUID TITE CONNECTOR, STRAIGHT	2
220	KE54617	3/8 LIQUID TITE CONNECTOR, 45°	1
221	KE51900	3/8 LIQUID TITE CONNECTOR, 90°	1
222	KE51916-7	3/8 LIQUID TITE CONDUIT	1
223	KE51916-8	3/8 LIQUID TITE CONDUIT	1
224	KE53559-19	GASKET	2
225	KE602902	BRACKET CONDUIT CONNECTOR	1
226	FA30088	WASHER	1
227	KE52000-1	MESH	1
228	KE602987-1	WASHER GEAR SIDE	2
230	SK2472702	3/4" SWIVEL GAS FITTING	2
254	FI00336	BUSHING, HEX. REDUCER, 3/4"-1/2" NPT	1
262	N0640B3-5	3/4" X 3 1/2 BRASS NIPPLE	1
263	FA11135	10-24 X 1/2 SCREW	3
264	KE54606-1	GAS VALVE LOCK WASHER	1

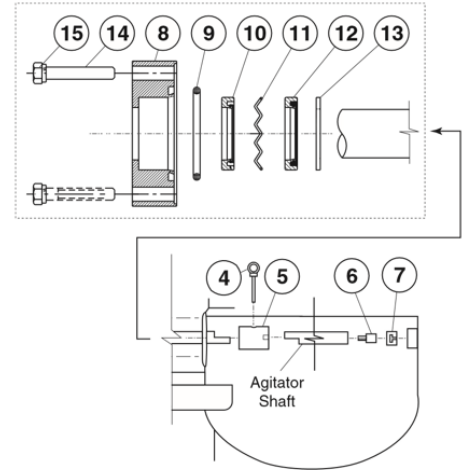
SCRAPER BLADES

ITEM	PART #	DESCRIPTION	QTY.
1	KE54602-1	SCRAPER BLADE	as required
2	KE54608	SPRING	as required
3	KE01976	SPRING REMOVAL TOOL	1
COMPLETE AGITATOR ASSEMBLY			
(NOT SHOWN)	KE02286-1	60 GALLON	1
	KE02286-2	80 GALLON	1
	KE02286-3	100 GALLON	1



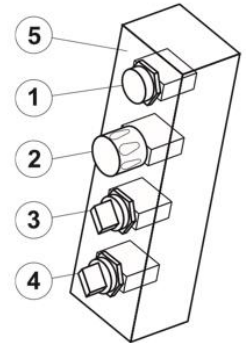
AGITATOR SEAL ASSEMBLY

ITEM	PART #	DESCRIPTION	QTY.
8	KE54592	SEAL RETAINER PLATE	1
9	FA05002-48	"O" RING	1
10	KE55458	SEAL	1
11	KE55457	SST WAVE WASHER	1
12	KE55456	SILICONE FILLED SEAL	1
13	KE55455	RETAINER FOR LIP SEALS	1
14	FA11509-5	BOLT, HEX HEAD, 3/8 16 x 2 1/2	2
15	FA31031	WASHER, 3/8 18-8	2
16	KE600583	GREASE NIPPLE, 1/8 NPT	2



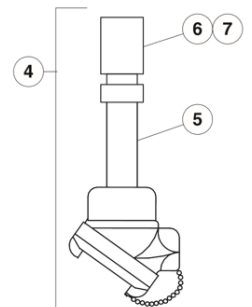
AGITATOR CONTROLS - STATIONARY

ITEM	PART #	DESCRIPTION	QTY.
1	KE53193	BUTTON, EMERGENCY STOP	1
2	KE54530-1	HEAD CAP, GREEN	1
3	KE54529	LED LAMP	1
4	KE54532	SWITCH, SPEED CONTROL	1
5	KE95483-2	LABEL STATIONARY	1



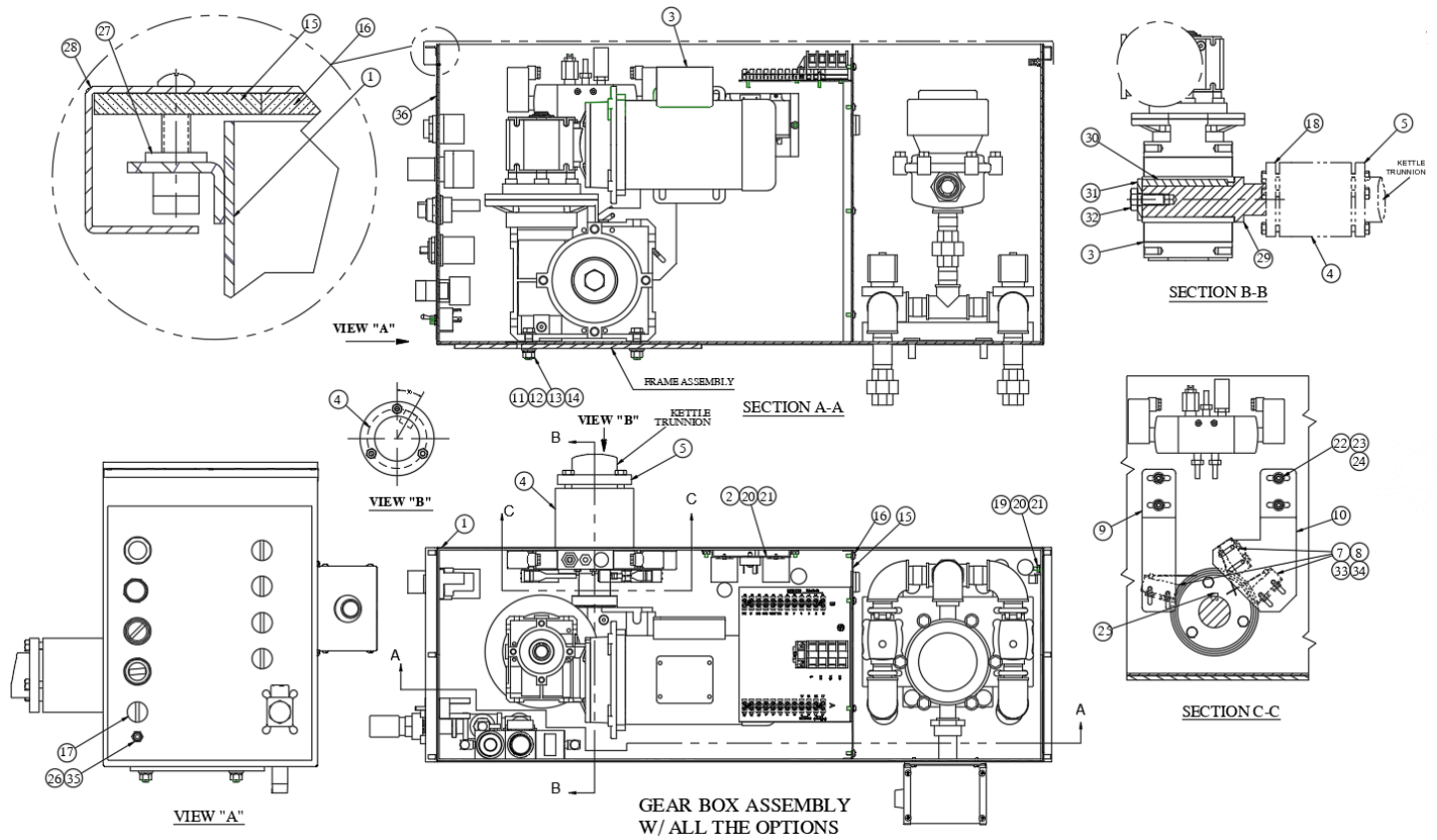
TEMPERATURE SENSOR

ITEM	PART #	DESCRIPTION	QTY.
4	KE54924-1	TEMPERATURE SENSOR ASSEMBLY	1
5	KE54924-2	SENSOR MAIN BODY	1
6	KE54924-3	TANK MOUNTING ADAPTOR	1
7	FA05002-23	SENSOR O-RING	1



GEAR BOX ASSEMBLY - POTENTIOMETER

(Page 1 of 3)



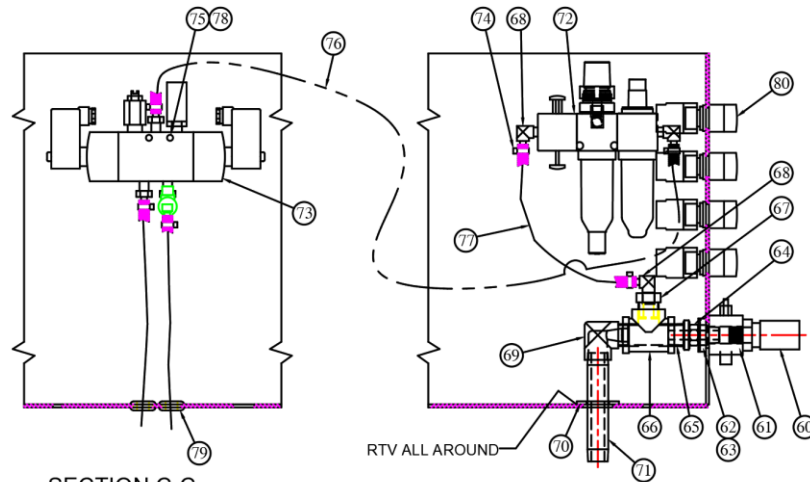
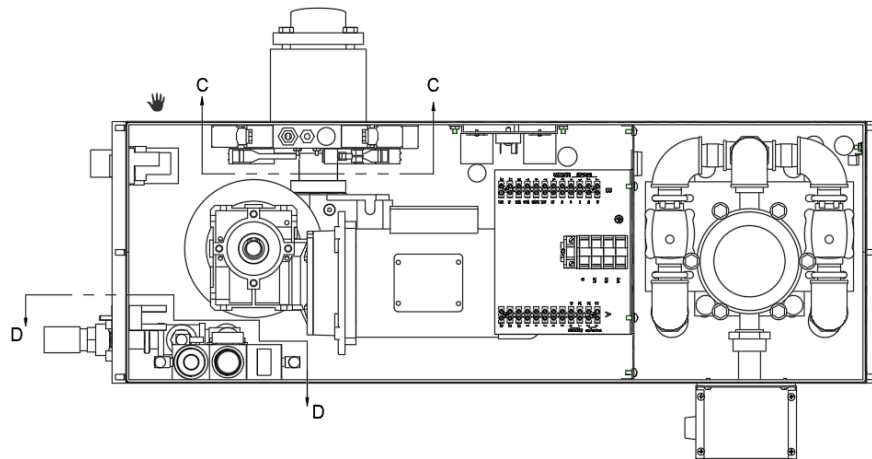
OPTIONS BUILT		
PART #	REV.	DESCRIPTION
KE003775-1	C	BASIC GEARBOX
KE003775-2	B	PARTS PNEUMATICS FOR FPVA3 OPTION
KE003775-3	B	PARTS FOR WATER METER OPTION
KE003775-4 A	A	AGITATOR SWITCHES
KE003775-5 B	B	COMPONENTS FOR HA-SC/DC REMOTE PANEL OPTION
KE003775-6 B	B	PARTS FOR WITHOUT WATER METER OPTION

KE003775-1 BASIC GEARBOX			
ITEM	PART #	DESCRIPTION	QTY.
1	KE000852-1	GEARBOX CONSOLE WELDMENT	1
2	REF. KE02185	COMPONENT PLATE, POWER TILT, KETTLE	1
3	KE601342-1	GEAR-MOTOR	1
4	KE602802-1	RIGID COUPLING	1
5	KE602802-2	SPLIT TAPER BUSHING, 1 3/4 BORE	2
7	SK2474501	LIMIT SWITCH	1
8	FA10140	SCREW #6-32UNC X 1 1/4" LG.	1
9	KE602798-1	LIMIT SWITCH BRACKET	1
10	KE602797-1	LIMIT SWITCH BRACKET	1
11	FA11386	HEX BOLT S.S. 3/8-16UNC x 1 1/2 LG.	4
12	FA21026	HEX NUT S.S. 3/8-16UNC	4
13	FA13013	SPLIT LOCK WASHER S.S. 3/8	4
14	KE53599-12	GASKET	2
15	KE53599-20	GASKET	2

16	FA35055-41	MACHINE SCREW 10-32 x 3/8, S.S.	6
17	KE003209-11	SWITCH, ON/OFF/ON (MOM/MAINT/MOM)	1
18	KE602802-3	SPLIT TAPER BUSHING, 2 1/2 BORE	1
19	KE50473	GROUND LUG	1
20	FA32022	EXTERNAL TOOTH LOCK WASHER #10	3
21	FA21006	HEX MACHINE SCREW NUT, UNC, 10-24, S.S.	4
22	FA21008	HEX NUT SCREW NUT 1/4-20UNC, S.S.	4
23	FA31029	LOCK WASHER 1/4, S.S.	4
24	FA35055-1	FLAT WASHER; 1/4, S.S.	4
25	KE55395	SQUARE KEY 3/8	1
26	KE50579-4	CIRCUIT BREAKER (2.5 Amp.)	1
27	FA95074	NYLON ANCHOR	2
28	KE601135	COVER, GEARBOX	1
29	KE600931-1	SHAFT, GEAR REDUCER	1
30	KE603884-2	SPECIAL KEY	2
31	FA35050-5	WASHER, S.S.	4
32	FA95101	HEX CAP SCREW, 5/8-11 X	2
33	FA15060	#10 SAE FLAT WASHER	4
34	FA20504-1	#6-32 "K" LOCKNUT ZINC	4
35	KE50580	WATER RESISTANT BOOT	1
36	KE601384	LABEL; GEARBOX	1
37	FA11145	MACHINE SCREW 10-32 x 3/8, S.S.	2

GEAR BOX ASSEMBLY - POTENTIOMETER (CONTINUED)

(Page 2 of 3)



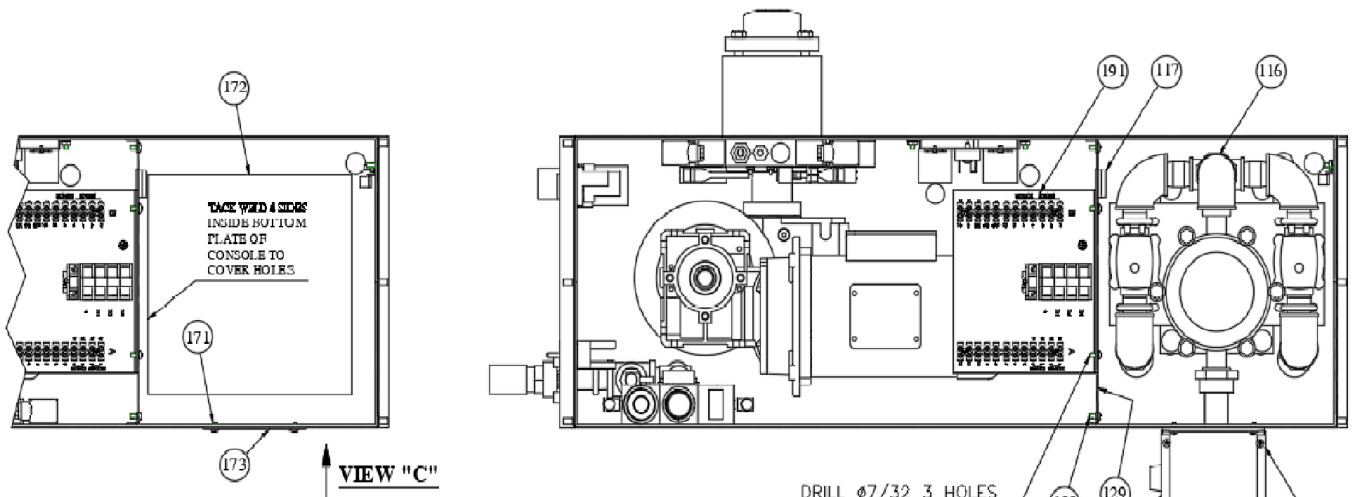
SECTION C-C
SHOWING ONLY THE PNEUMATICS ASSEMBLY.

SECTION D-D

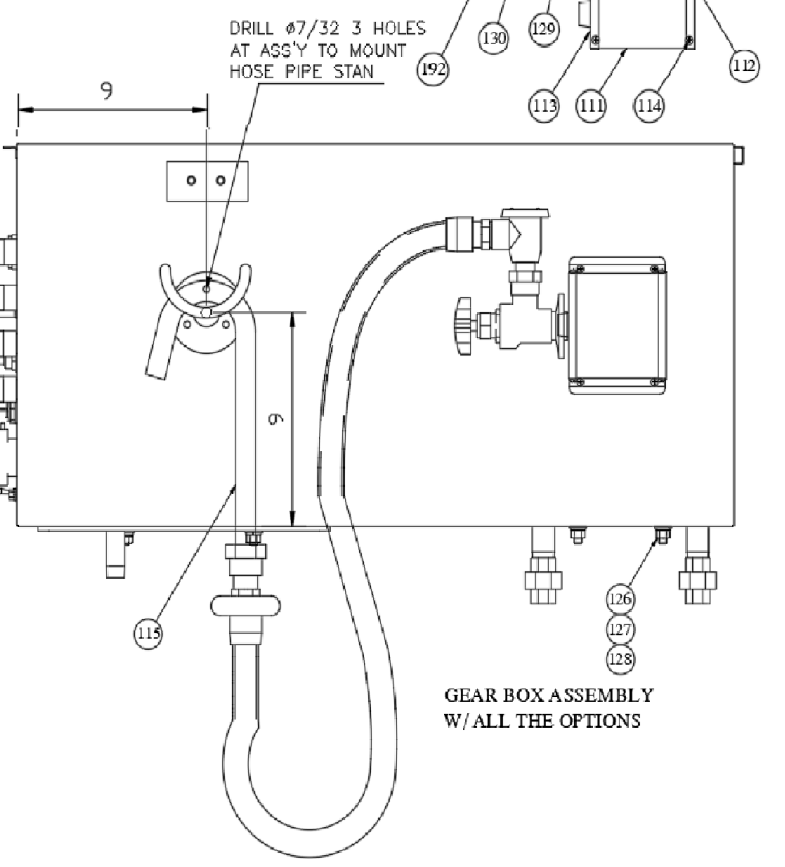
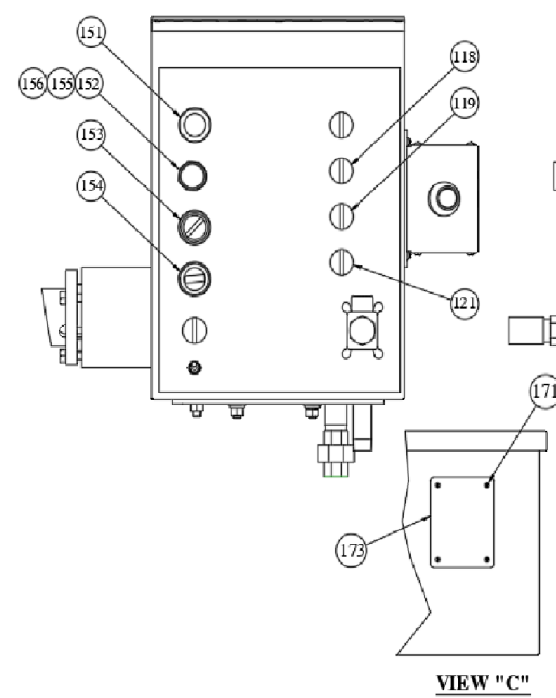
KE003775-2 PNEUMATICS FOR FPVA3			
ITEM	PART #	DESCRIPTION	QTY.
60	KE601603	QUICK CONNECT	1
61	KE601601	SLIDE VALVE	1
62	FA30512	SPACER WASHER	1
63	FA32500	TOOTH LOCK WASHER 7/8 DIA.	1
64	KE52697	NUT 1/2 NPS BRASS	1
65	KE601602	AIR FITTING	1
66	KE600814-1	TEE 1/2 NPT	1
67	FI00351	BUSHING 1/2 MIP X 1/4 FIP	1
68	FI005318	HOSE BARB 90 DEGREE ELBOW	3
69	KE600812-1	90 DEGREE STREET ELBOW 1/2 NPT	1
70	KE54535	WASHER 7/8 ID X 2 OD	1
71	N0440B4-5	NIPPLE 1/2 NPT X 4 1/2 LONG	1
72	KE02369	FILTER-REGULATOR-LUBRICATOR ASSY	1
73	KE02292	AIR SOLENOID ASSEMBLY	1
74	FI05220-1	GEAR CLAMP	4
75	FA21002	HEX NUT, 6-32, S.S.	4
76	KE523177	PNEUMATIC HOSE, 1/4 ID X 31 L	1
77	KE523176	PNEUMATIC HOSE, 1/4 ID X 12 1/2	2
78	FA32004	TOOTH LOCK WASHER, #6, ZINC PLATED	2
79	KE50555	GROMMET	1
80	KE003209-9	SWITCH/ON/OFF/ON(MAINT/MAINT/MOM)	1

GEAR BOX ASSEMBLY - POTENTIOMETER (CONTINUED)

(Page 3 of 3)



VIEW "C"
GEAR BOX ASSEMBLY
W/ ALL THE OPTIONS EXCEPT THE NO WATER METER OPTION



GEAR BOX ASSEMBLY
W/ ALL THE OPTIONS

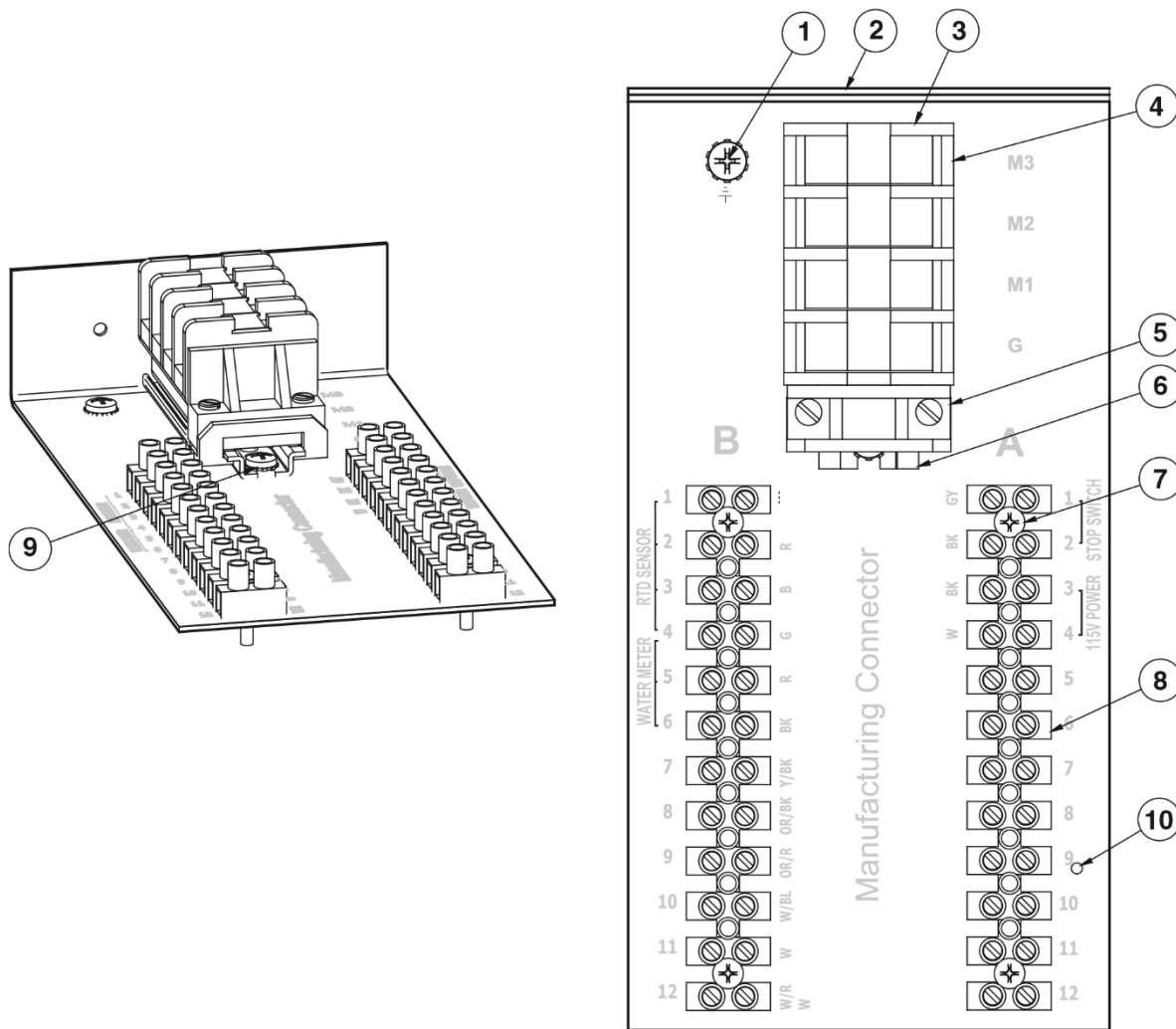
KE003775-3 DIGITAL WATER METER			
111	KE55350	SIDE BOX , FILLER HOSE	1
112	KE55351-2	COVER, FILLER BOX	1
113	KE55351-1	COVER, FILLER BOX	1
114	FA11091	MACHINE SCREW, 8-32 x 3/8" LG S.S.	2
115	KE55231-1	¾ SINGLE WALL POT FILLER	1
116	REF KE602289	PLUMBING ASSEMBLY, WATER METER	1
117	KE54853-4	SNAP-IN BUSHING: 1.093 DIA	1
118	KE003209-6**	SWITCH; ON/OFF (SPRING RETURN)	1
119	KE003209-2**	SWITCH; ON/ON (MAINTAINED)	1
120	KE525257	DIGITAL COUNTER	1
121	KE003209-7**	SWITCH; ON/OFF/ON (LEFT & RIGHT MOM)	1
122	KE52936-3*	FUSE, 1 AMP	1
123	KE51139*	FUSE HOLDER	1
124	KE50343-6*	COMPONENT PLATE	1
125	KE50735-10*	RELAY (N/A WITH HA-SG/DG REMOTE PANEL)	2
126	FA21026	HEX NUT S.S. 3/8-16UNC	4
127	FA31031	SPLIT LOCK WASHER S.S. 3/8	4
128	FA35005-11	FLAT WASHER S.S. 3/8	4
129	KE60094-1	PARTITION PLATE	1
130	FA11145	MACHINE SCREW 10-32 x 3/8, S.S.	6

KE003775-4 AGITATOR SWITCHES			
151	KE53193	EMERGENCY STOP	1
152	KE54530*	AGITATOR START BUTTON	1
153	KE54529*	AGITATOR POWER SWITCH	1
154	KE54532*	SPEED CONTROL SWITCH	1
155	KE603106*	L.E.D. LAMP	1
156	KE54530-1	GREEN PUSH HEAD CAP	1

KE003775-5 WITHOUT WATER METER			
171	FA11091	MACHINE SCREW 8-32 x ¾ S.S.	4
172	KE601213	BOTTOM COVER	1
173	KE603731	COVER PLATE	1

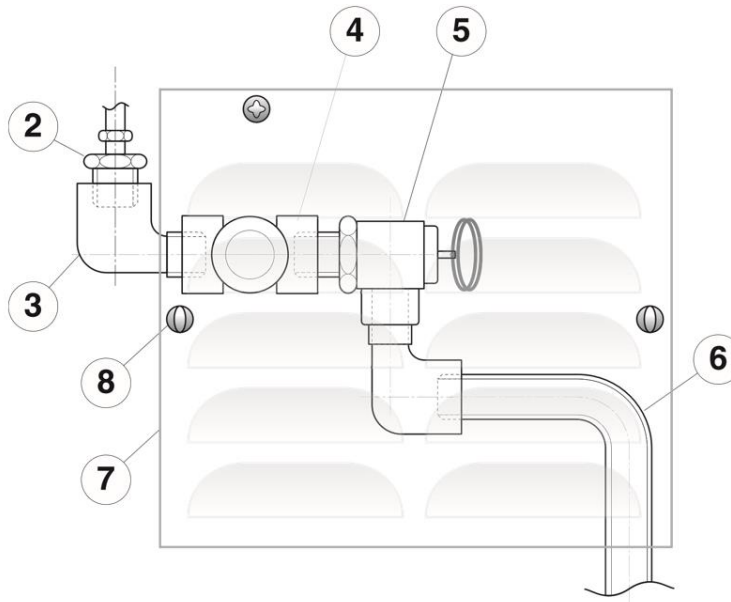
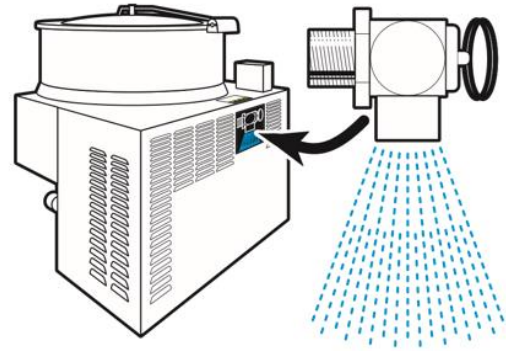
KE003775-6 FOR HA-SG/DG REMOTE PANEL			
191	KE003608-1	COMPONENT ASSEMBLY	1
192	FA11525-1	SEMS HEAD SCREW #10-32 x 3/8	2

KETTLE WIRE TERMINATION ASSEMBLY (REMOTE CONSOLE OPTION)



ITEM	PART #	DESCRIPTION	QTY.
1	FA11525-1	PHIL SCREW #10-32X3/8	1
2	KE603401-1	COMPONANT BRACKET	1
3	SK50054-1	TERMINAL BLOCK END BARRIER	1
4	SK50055-1	TERMINAL BLOCK	4
5	SK50054-2	TERMINAL BLOCK END BARRIER	1
6	KE54761-2	TERMINAL BLOCK MOUNTING RAIL X 3 1/4	1
7	FA15018-6	PHIL SCREW #6-32X3/4	4
8	KE603615	TERMINAL BLOCK	2
9	FA15018-3	PHIL SCREW #8-32X1/4	2
10	KE603616-1	LABEL	1

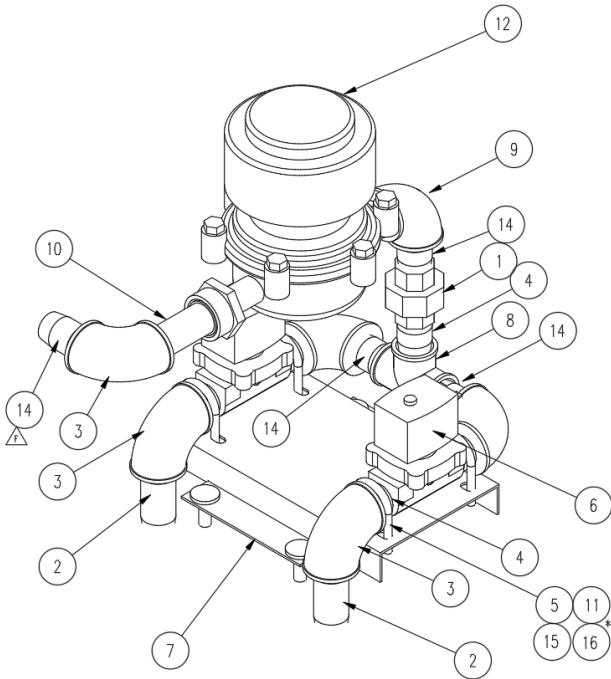
PRESSURE RELIEF ASSEMBLY



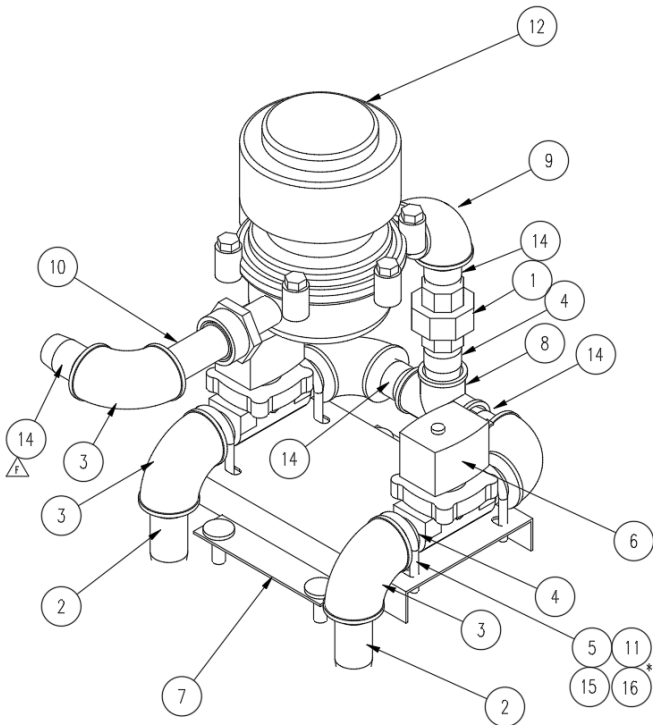
ITEM	PART #	DESCRIPTION	QTY.
		<u>PRESSURE RELIEF VALVE ASSEMBLIES</u>	
1.	KE01450	FOR ASME KETTLES (INCLUDES #2-6)	1
	KE01450-1	FOR CE KETTLES (INCLUDES #2-6)	1
2.	FI05049	MALE CONNECTOR, 1/2" PIPE - 1/4" TUBE	1
3.	KE600812-1	STREET ELBOW, 90°, 1/2", BRASS	2
4.	KE600814-1	TEE, 1/2" FPT, BRASS	1
		<u>SAFETY VALVES</u>	
5.	KE54941-5	SAFETY VALVE, 50 PSI, 1/2" (NORTH AMERICA)	1
	KE54941-31	SAFETY VALVE, 50 PSI, 1/2", (EUROPE)	1
6.	KE54223	BLOW DOWN TUBE	1
7.	KE54864	ACCESS PANEL	1
8.	FA11518-4	THUMB SCREW, 10-32 X 1/2" L	2

PLUMBING ASSEMBLY, WATER METER

TILTING MODELS



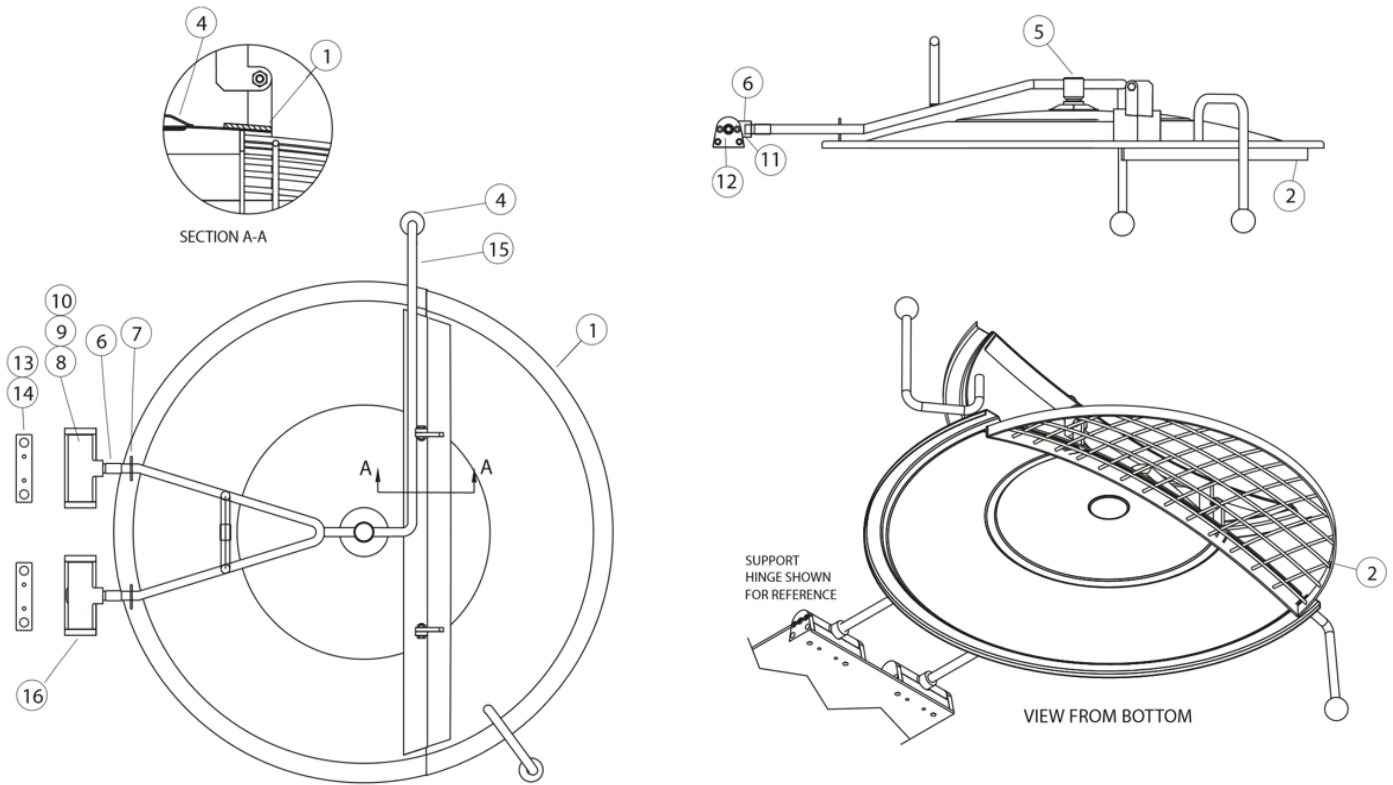
ITEM	PART #	DESCRIPTION	QTY.
-	KE02289-1	PLUMBING; GALLON METER (HAMKGL-T)	▼
1	F00096	3/4 BRASS UNION	1
2	N0640B2-5	3/4 NPT X 2 1/2 BRASS NIPPLE	2
3	F00063	3/4 NPT BRASS ELBOW	5
4	N0640B1-5	3/4 NPT CLOSE BRASS NIPPLE	5
5	FA95092-2	U-BOLT, 1/4-20	4
6	KE54834-4	SOLENOID VALVE	2
7	KE02290	MOUNTING PLATE ASSY, HOT/COLD WM	1
8	F00179	3/4 NPT BRASS FEMALE TEE	1
9	F00365	3/4 X 1 REDUCING BRASS ELBOW	1
10	F05153	ADAPTOR NIPPLE & GASKET	1
11	FA21008	S.S. NUT 1/4-20	8
12	KE54336	GALLON METER, HOT WATER	1
13	KE52002-1	LITRE METER, HOT WATER	-
14	N0640B2	3/4 NPT X 2 BRASS NIPPLE	4
15	FA30505-9	FLAT WASHER 1/4 S.S.	8
16	FA31029	LOCK WASHER 1/4 S.S.	8



STATIONARY MODELS

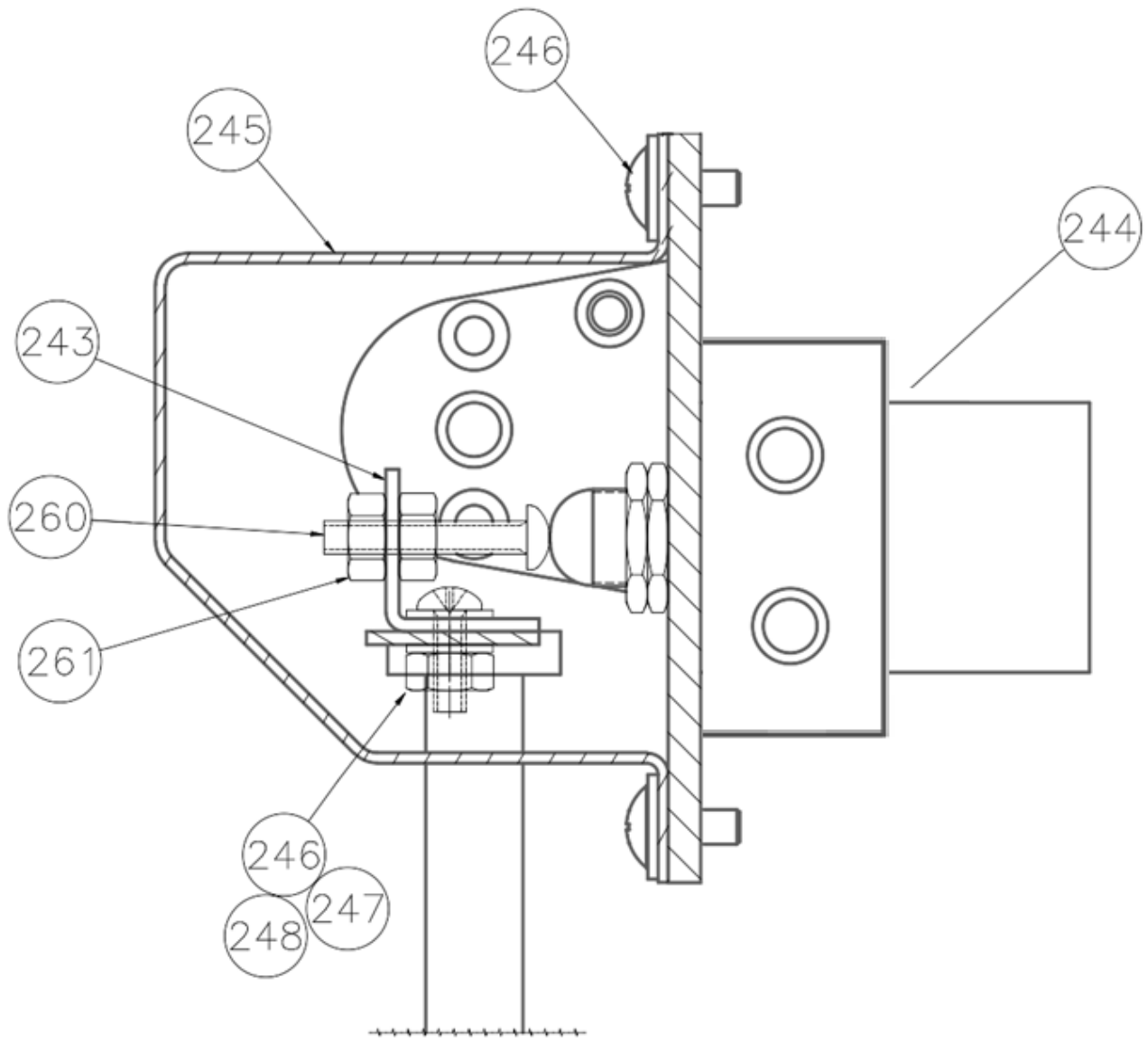
ITEM	PART #	DESCRIPTION	QTY.
-	KE02289-2	PLUMBING; LITRE METER (HAMKGL)	▼
1	F00096	3/4 BRASS UNION	1
2	N0640B2-5	3/4 NPT X 2 1/2 BRASS NIPPLE	2
3	F00063	3/4 NPT BRASS ELBOW	5
4	N0640B1-5	3/4 NPT CLOSE BRASS NIPPLE	5
5	FA95092-2	U-BOLT, 1/4-20	4
6	KE54834-4	SOLENOID VALVE	2
7	KE02290	MOUNTING PLATE ASSY, HOT/COLD WM	1
8	F00179	3/4 NPT BRASS FEMALE TEE	1
9	F00365	3/4 X 1 REDUCING BRASS ELBOW	1
10	F05153	ADAPTOR NIPPLE & GASKET	1
11	FA21008	S.S. NUT 1/4-20	8
12	KE54336	GALLON METER, HOT WATER	-
13	KE52002-1	LITRE METER, HOT WATER	1
14	N0640B2	3/4 NPT X 2 BRASS NIPPLE	4
15	FA30505-9	FLAT WASHER 1/4 S.S.	8
16	FA31029	LOCKWASHER 1/4 S.S.	8

SPRING ASSISTED, 2 PIECE COVER WITH SCREEN



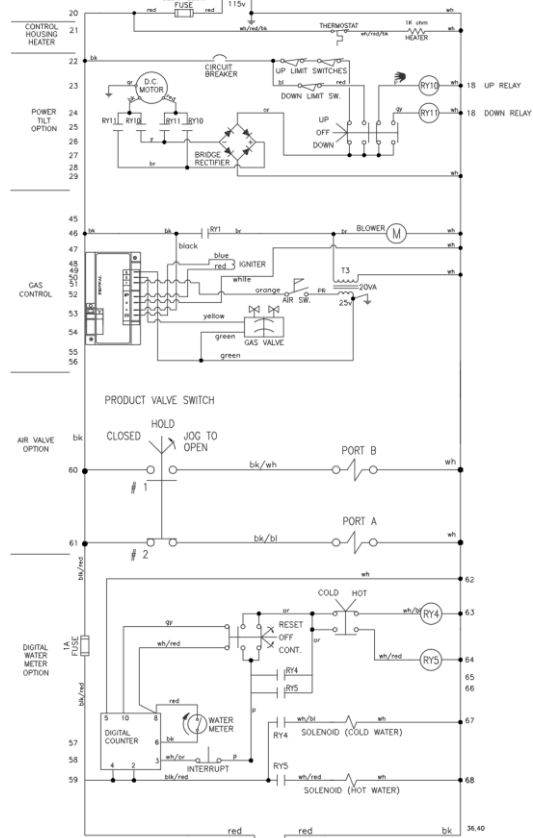
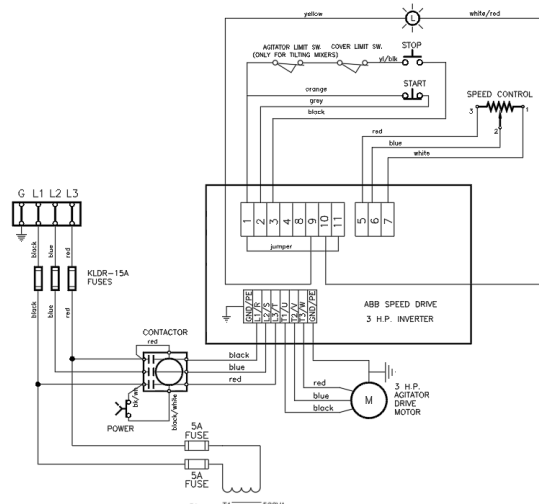
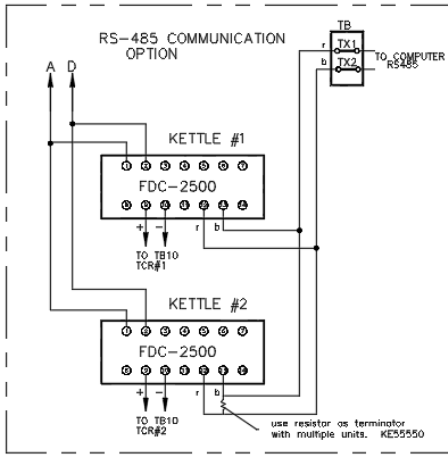
-	KE003831-1	SPRING ASSISTED 2-PIECE COVER WITH SCREEN: MTPS-60 HA, NO CP OPTION	▼						
-	KE003831-2	SPRING ASSISTED 2-PIECE COVER WITH SCREEN: MTPS-80 HA, NO CP OPTION		▼					
-	KE003831-3	SPRING ASSISTED 2-PIECE COVER WITH SCREEN: MTPS-100 HA, NO CP OPTION			▼				
-	KE003831-4	SPRING ASSISTED 2-PIECE COVER WITH SCREEN: MTPS-60 HA, CP OPTION				▼			
-	KE003831-5	SPRING ASSISTED 2-PIECE COVER WITH SCREEN: MTPS-80 HA, CP OPTION					▼		
-	KE003831-6	SPRING ASSISTED 2-PIECE COVER WITH SCREEN: MTPS-100 HA, CP OPTION						▼	
ITEM	PART NUMBER	DESCRIPTION	QTY.	QTY.	QTY.	QTY.	QTY.	QTY.	QTY.
1	KE02320-1	2-PIECE COVER ASSEMBLY	1	-	-	1	-	-	
	KE02320-2	2-PIECE COVER ASSEMBLY	-	1	-	-	1	-	
	KE02320-3	2-PIECE COVER ASSEMBLY	-	-	1	-	-	1	
2	KE003832-1	SCREEN WELDMENT	1	-	-	1	-	-	
	KE003832-2	SCREEN WELDMENT	-	1	-	-	1	-	
	KE003832-3	SCREEN WELDMENT	-	-	1	-	-	1	
4	KE50151-2	KNOB HANDLE	1	1	1	1	1	1	
5	KE00095	HANDLE HOLDER ASSY	1	1	1	1	1	1	
6	KE51495	COVER HANDLE TUBING	2	2	2	2	2	2	
7	KE53918	ANTI-ROTATION BRACKET	3	3	3	3	3	3	
8	KE00597-4	HINGE ASSEMBLY	1	1	1	1	1	1	
9	FA11322	HEX BOLT 5/16-18 X 1/2 LG, SS	4	4	4	4	4	4	
10	FA31030	SPLIT LOCKWASHER 5/16	4	4	4	4	4	4	
11	FA11507	SCREW, 10-24 THR'D CUT SS PAN	4	4	4	-	-	-	
12	KE54907-10	PLUG BUTTON	2	2	2	2	2	2	
13	FA11511-17	SCREW, TORX 10-24X 3/4	-	-	-	4	4	4	
14	KE53398	LOCK PLATE	-	-	-	2	2	2	
15	KE02130-13	COVER HANDLE WLDT	1	-	-	1	-	-	
	KE02130-14	COVER HANDLE WLDT	-	1	-	-	1	-	
	KE02130-15	COVER HANDLE WLDT	-	-	1	-	-	1	
16	KE00597-7	HINGE ASSEMBLY	1	1	1	1	1	1	

POWER CUT-OFF SWITCH



ITEM	PART #	DESCRIPTION	QTY.
243	KE604002	ACTUATOR BRACKET	1
244	KE603998	LIMIT SWITCH	1
245	KE604000	FIXED COVER	1
246	FA11146	10-32 X 1/2 SS SCREW	2
247	FA21007	10-32 HEX NUT 18.8 SS	1
248	FA30076	#10 FLAT WASHER	1
260	FA11609-4	1/4-20 HEX BOLT 18.8 SS	1
261	FA21008	1/4-20 HEX NUT 18.8 SS	2

WIRING DIAGRAM – easyDial (200V-240V)

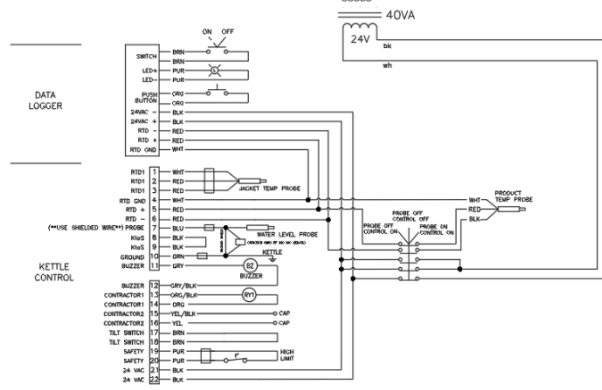


MAINTAINED, MAINTAINED, MOMENTARY

SWITCH	#1	#2
CLOSED	O	X
HOLD	O	O
JOG TO OPEN	X	O
CONTACT		

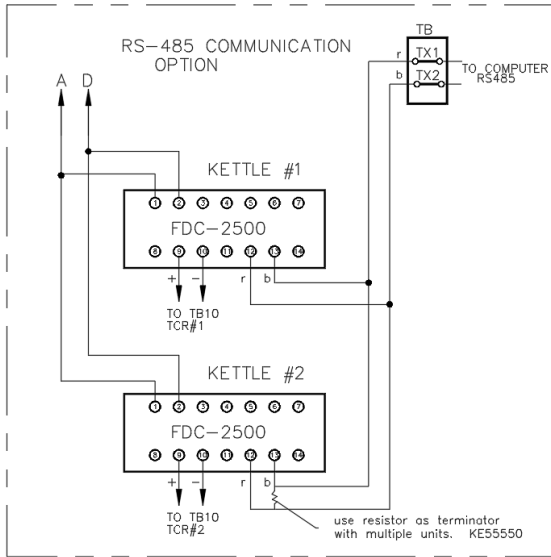
X = CLOSED
O = OPEN

TERMINAL SHEET WILL HAVE
COLUMNS OF PRINTED FULL
SIZE. IT IS PLACED INSIDE A
FRAME ON THE INSIDE WALL OF THE
CONTROL BOX.



HA-MKGI /-T WITH ALL OPTIONS (200-240 V)

WIRING DIAGRAM – easyDial - 480V

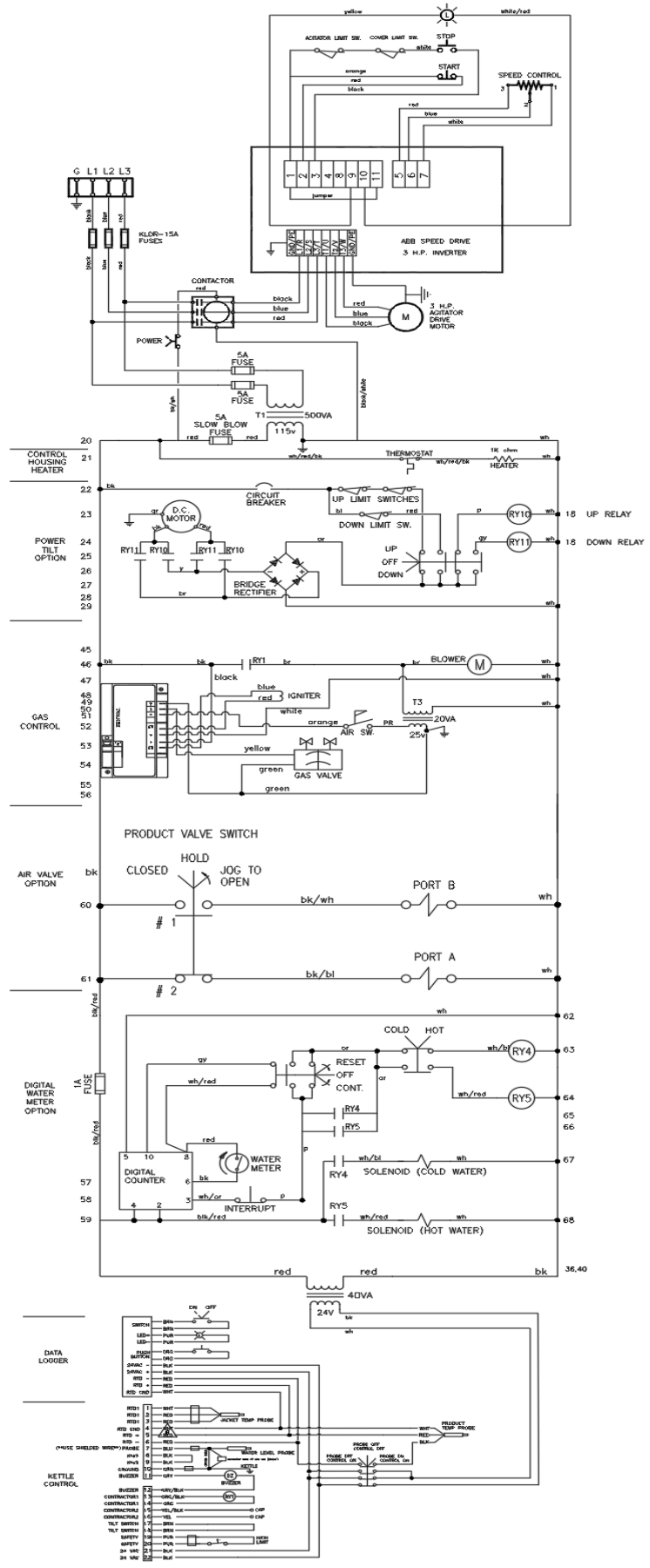


MAINTAINED, MAINTAINED, MOMENTARY

SWITCH	#1	#2
CLOSED	0	X
HOLD	0	0
JOG TO OPEN	X	0
CONTACT		

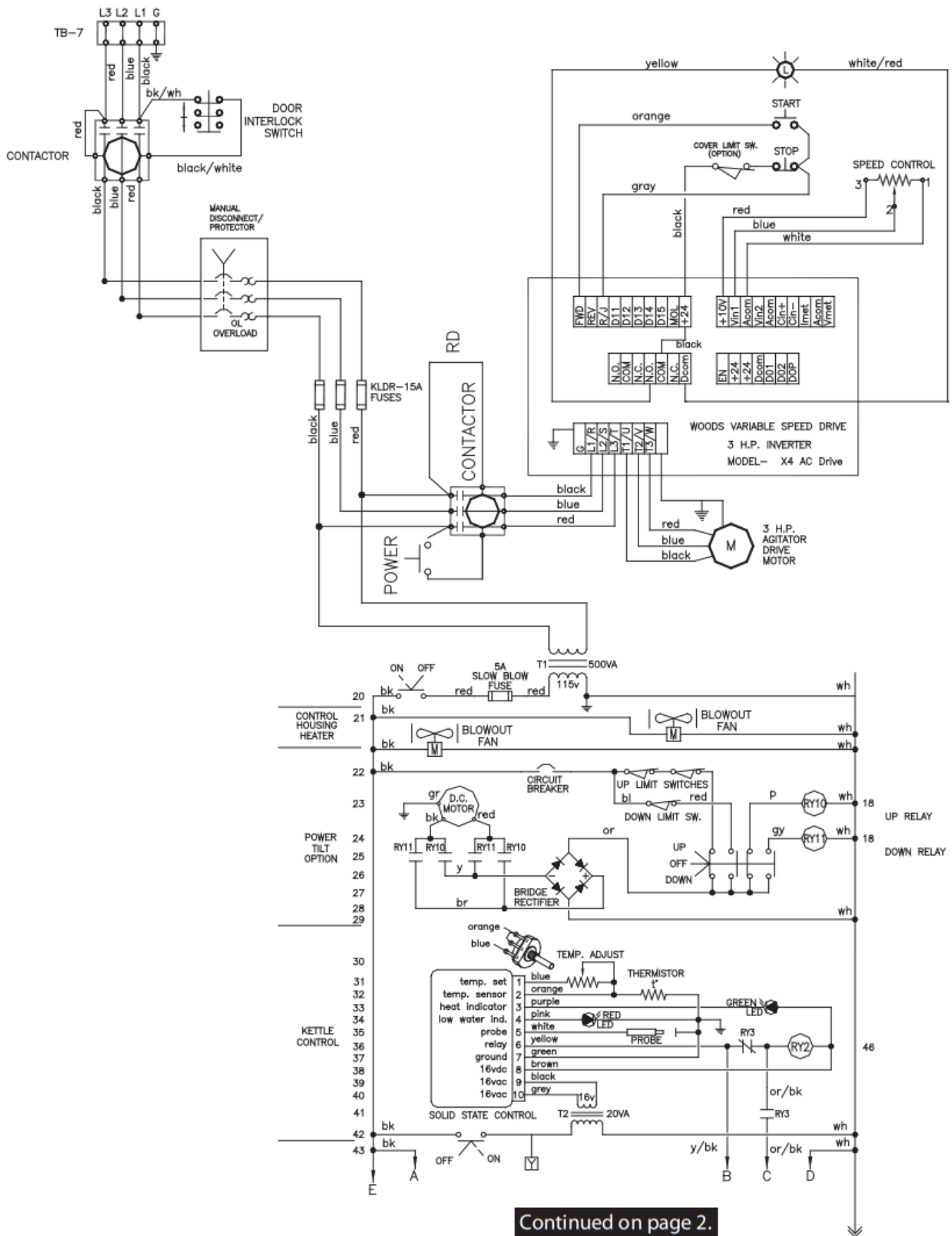
X = CLOSED
0 = OPEN

DRAWING SHIPS WITH UNIT
DRAWING IS PRINTED FULL
SIZE. PLACED INSIDE A
PLASTIC BAG AND FIXED TO
THE INSIDE WALL OF THE
CONTROL BOX.



WIRING DIAGRAM – POTENTIOMETER - 208-240V

(Page 1 of 2)

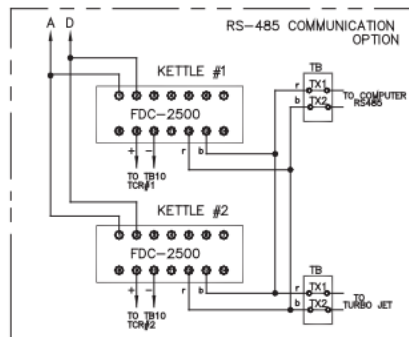
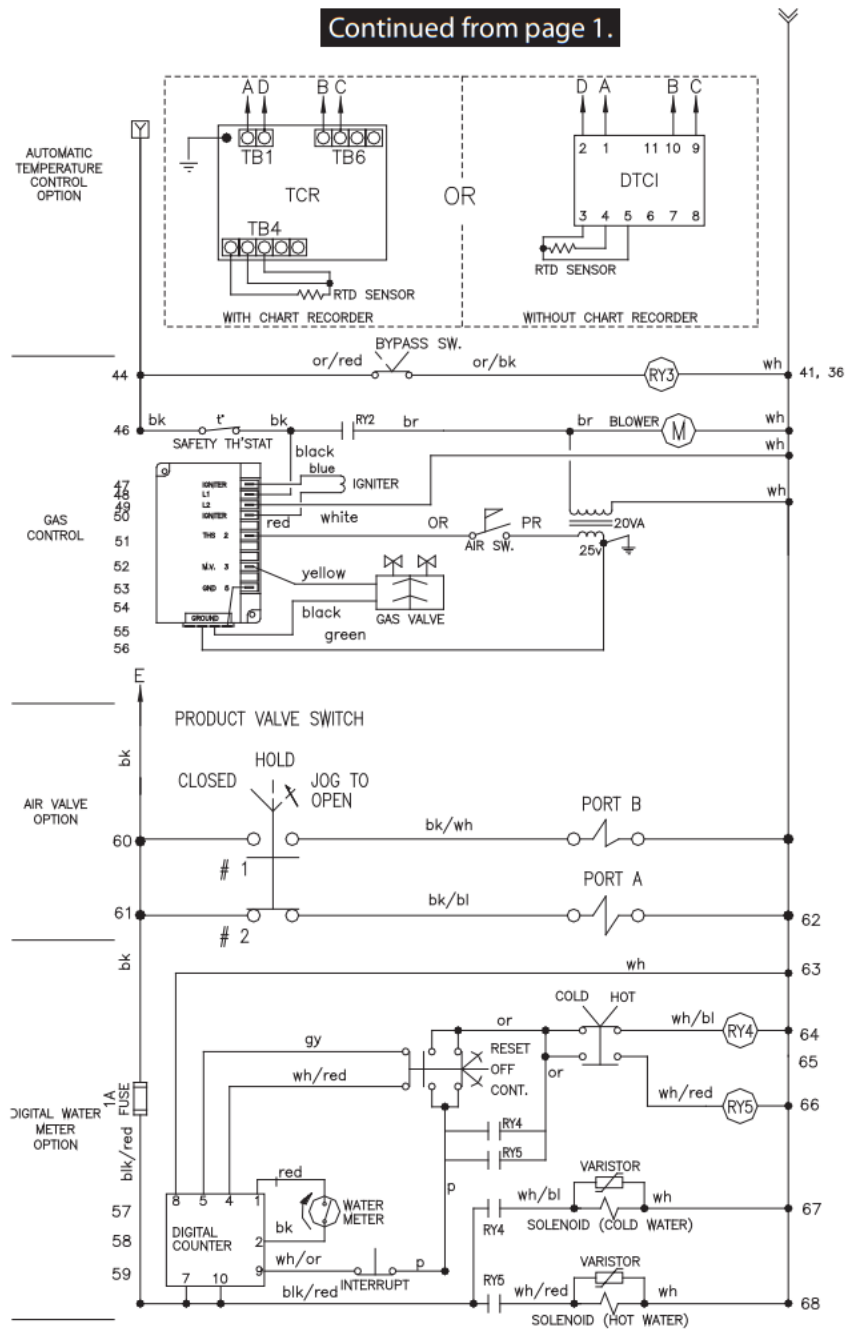


Continued on page 2.

WIRING DIAGRAM - POTENTIOMETER - 208-240V

(Page 2 of 2)

Continued from page 1.



MAINTAINED, MAINTAINED, MOMENTARY

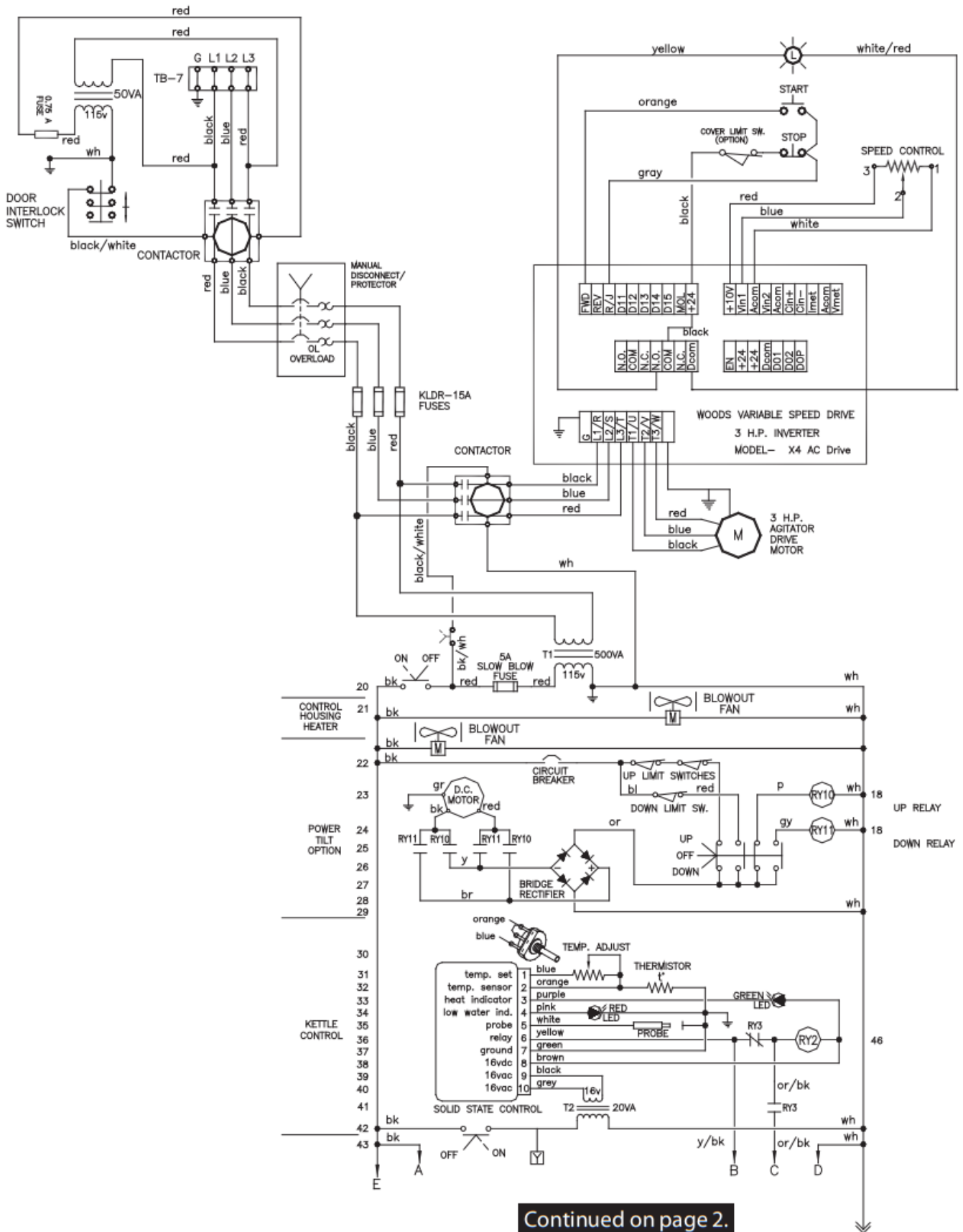
SWITCH	#1	#2
CLOSED	O	X
HOLD	O	O
JOG TO OPEN	X	O
CONTACT		

X = CLOSED
O = OPEN

HA-SG-CC (200-240 V)

WIRING DIAGRAM – POTENTIOMETER - 460-480V

(Page 1 of 2)

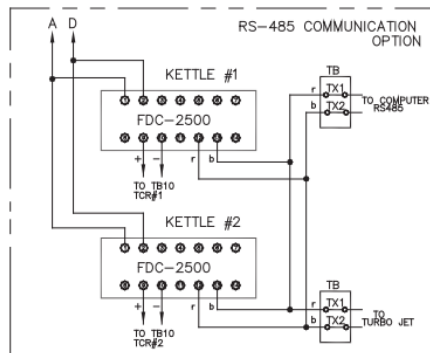
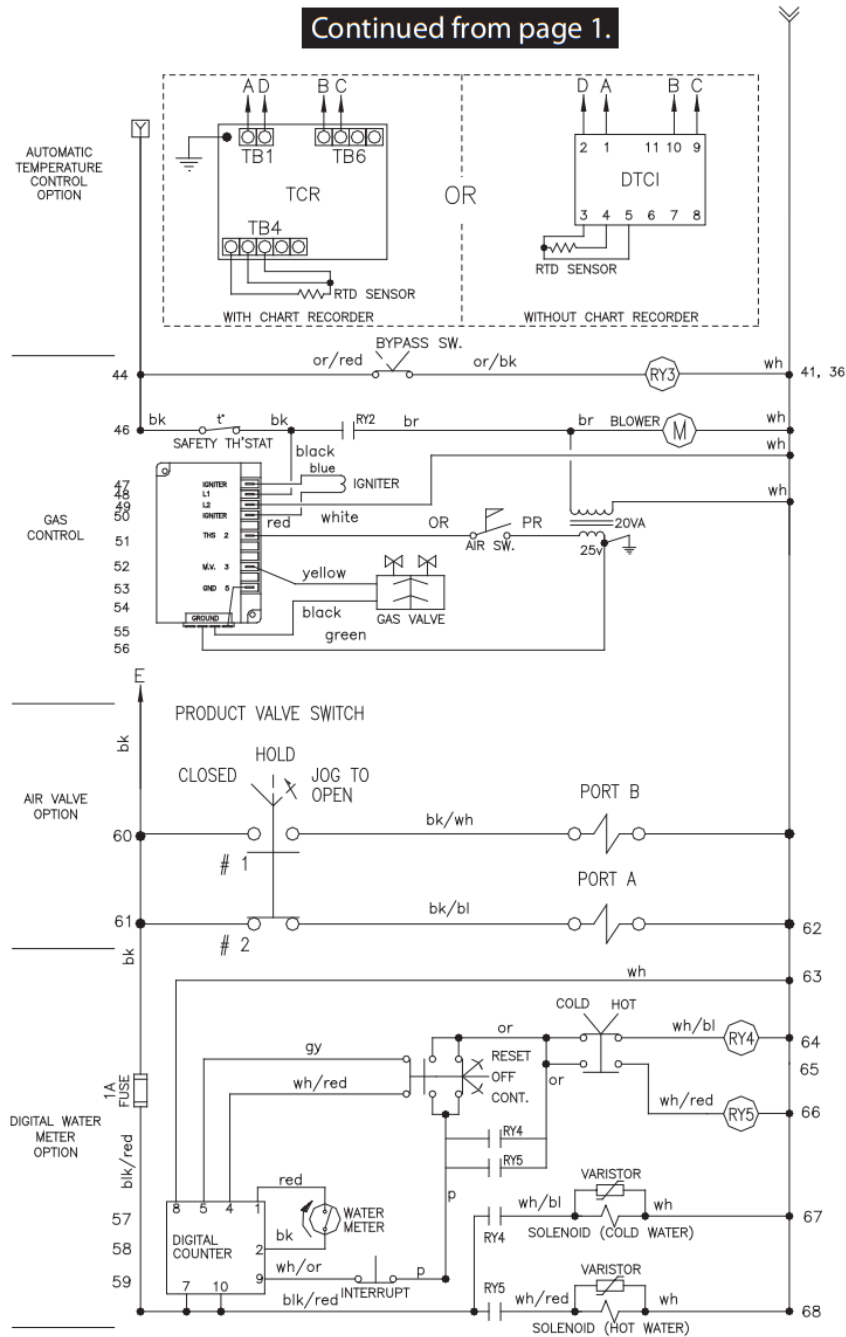


Continued on page 2.

WIRING DIAGRAM POTENTIOMETER - 460-480V

(Page 2 of 2)

Continued from page 1.



MAINTAINED, MAINTAINED, MOMENTARY

SWITCH	#1	#2
CLOSED	O	X
HOLD	O	O
JOG TO OPEN	X	O
CONTACT		

X = CLOSED
O = OPEN

HA-MKGL/-T WITH
ALL OPTIONS (460-480 V)

SPARE PARTS LIST

The following is a spare parts listing of parts that wear during normal use or are apt to be misplaced during normal operation. These parts should be kept on hand to prevent loss time due to a minor problem.

PART #	DESCRIPTION	QUANTITY
KE54602-1	SCRAPER BLADE	1
KE54608	SPRING	3
FA05002-8	"O" RING	3
KE54594	PIN	1
KE54834-4	SOLENOID VALVE	1
FA05002-51	BUNA-N O-RING	5
FA05002-53	BUNA-N O-RING	5
FA05002-46	O-RING, FOOD GRADE, SIZE A0123, EPDM E 692-75	5
KE55297-3	GD2 STANDARD ACTUATOR	1
KE52936-18	FUSE, 15 AMP/600	6

The following is a recommended list of spare parts that may be required if the service agency is of some distance away or if down time must be kept to a minimum and spare parts are required for the service agent on site

PART #	DESCRIPTION	QUANTITY
KE54834-4	SOLENOID VALVE	1
KE02291-2	AIR OPERATED CYLINDER	1
KE53469-5	IGNITION MODULE	1
KE00458-1	SOLID STATE CONTROL	1
KE50753-7	RELAY, 12VDC	1
KE00515	THERMISTOR	1
KE603208-9	CONTACTOR CARTRIDGE, NORMALLY OPEN	2
KE603208-8	CONTACTOR CARTRIDGE, NORMALLY CLOSED	2
KE50753-10	RELAY, 120V	2

Cleveland

Cleveland Range, LLC
760 Beta Drive, Unit D
Mayfield Village, Ohio 44143
216.481.4900
800.338.2204

Every new piece of Welbilt Foodservice equipment comes with KitchenCare® and you choose the level of service that meets your operational needs from one restaurant to multiple locations.

StarCare – Warranty & lifetime service, certified OEM parts, global parts inventory, performance audited.

ExtraCare — CareCode, 24/7 Support, online/mobile product information.

LifeCare – Install & equipment orientation, planned maintenance, KitchenConnect™, MenuConnect®

Talk with KitchenCare® • 1-844-724-CARE • www.mtwkitchencare.com



To learn how Welbilt Foodservice and its leading brands can equip you, visit our global web site at www.welbilt.com, then discover the regional or local resources available to you.