

KE604176 - easyDial Control/ Timer Knob

MANUFACTURER: SED

EACH easyTimer COMES WITH THE FOLLOWING :

- 1.) easyTimer PCB Board (Qty: 1)
- 2.) easyTimer Overlay/ Membrane (Qty: 1)
- 3.) easyTimer Knob (Qty: 1)
- 4.) Conformal Coating
- 5.) Plastic Insert (Qty: 1)

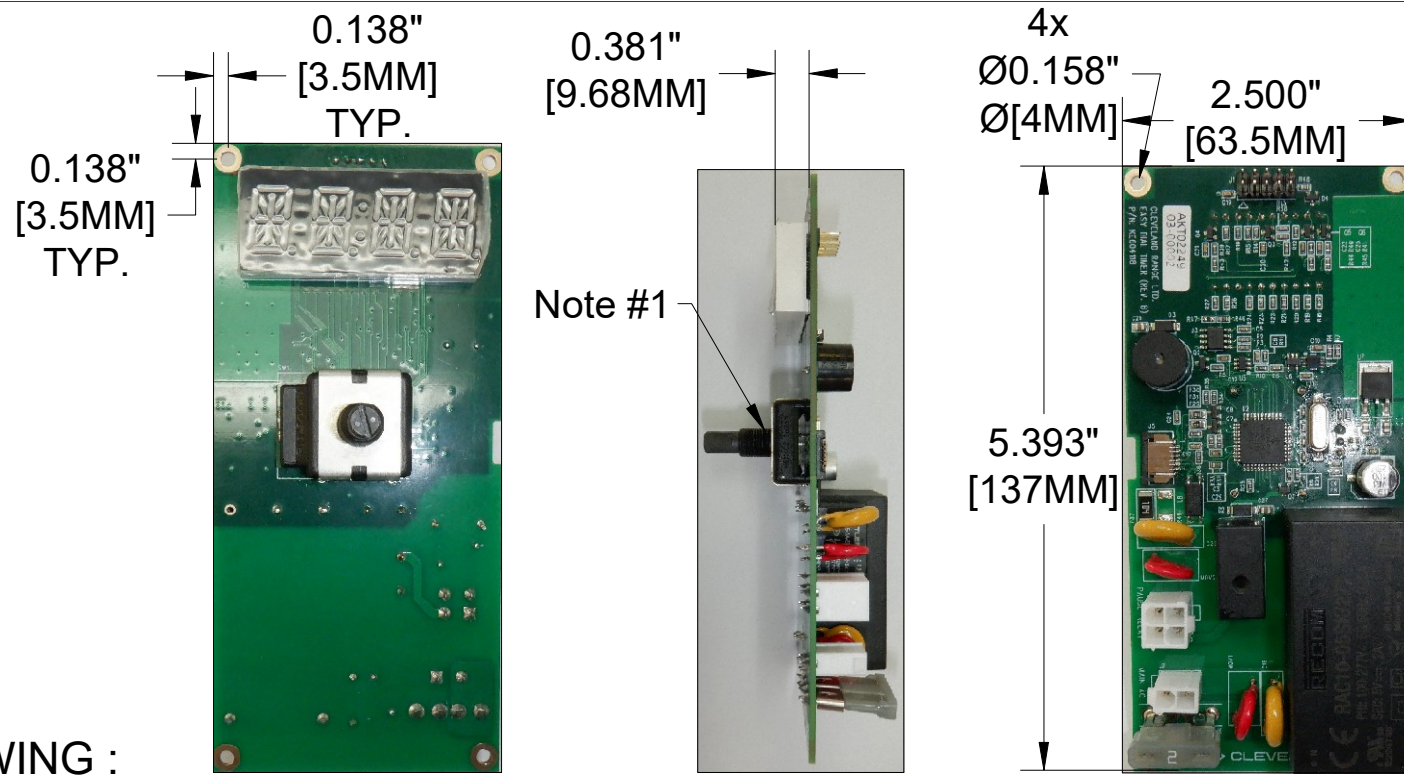
COMPONENTS AVAILABLE FOR SERVICE

PART NUMBER	DESCRIPTION
KE604517	easyTimer PCB
KE604518	easyTimer Overlay
KE604176	easy Dial Control/ Timer Knob
KE604710	easyTimer Plastic Insert

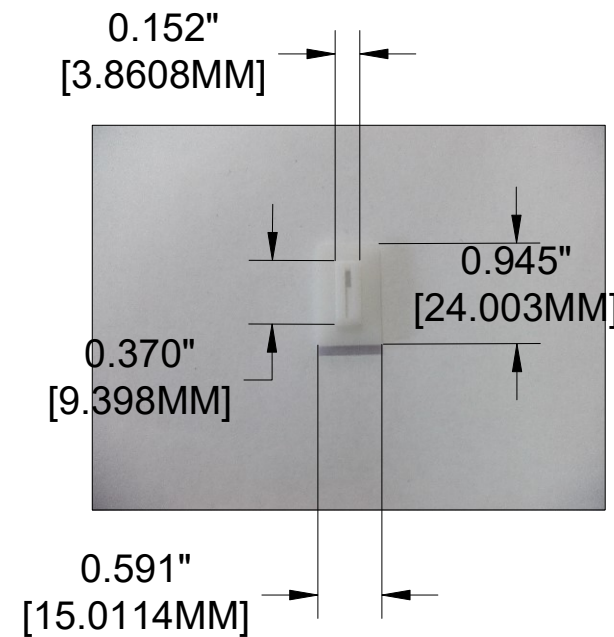
NOTE

1.) THE KNOB SURFACE IS AT LEAST 0.037" [0.94MM] SHORTER IN HEIGHT THAN THE LED SCREEN THAT IS 0.381" [9.68MM]. THE DEPICTION IS NOT ACCURATE; USE AS REFERENCE.

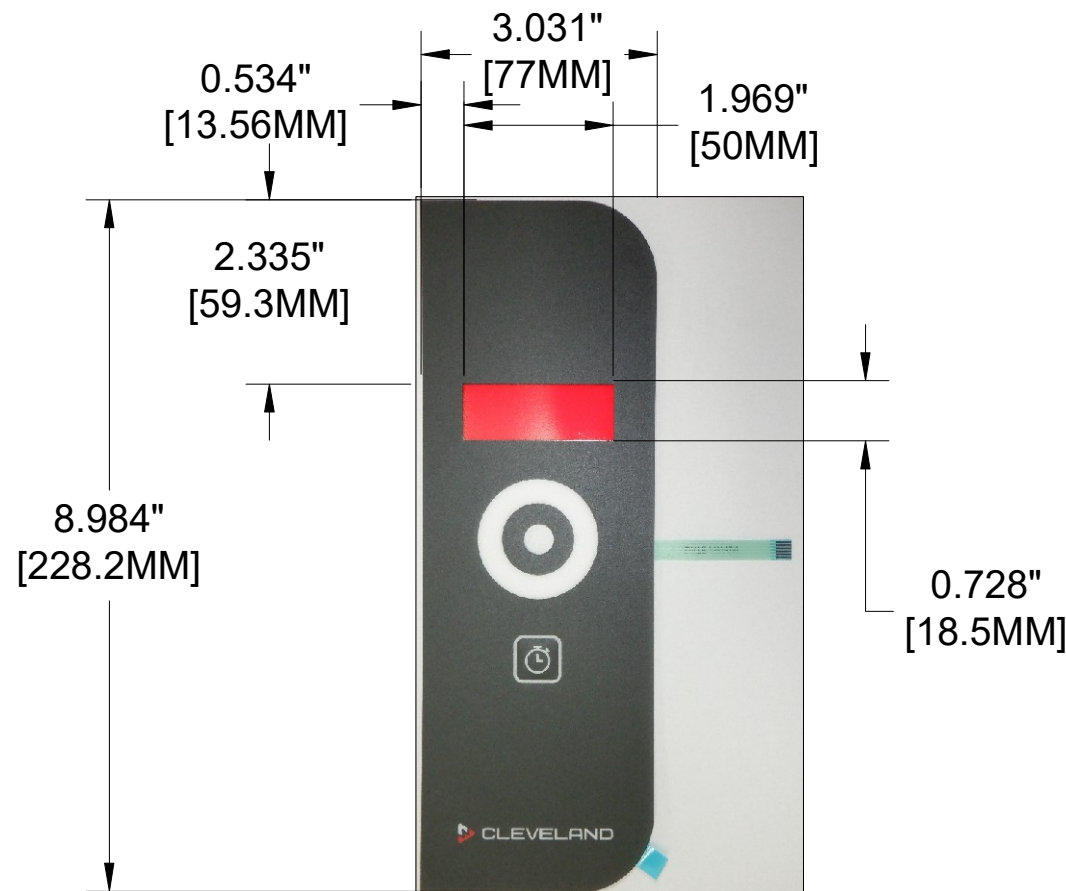
Approvals: UL & CSA



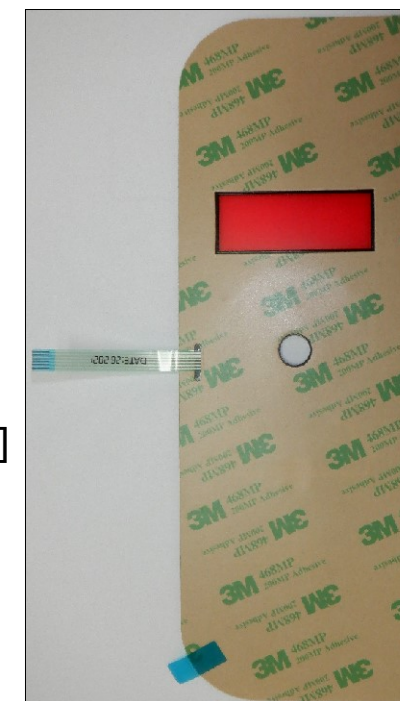
KE604517 - easyTimer PCB



KE604710 - easyTimer Plastic Insert



KE604518 - easyTimer Overlay



THIS DESIGN COVERS A PROPRIETARY ITEM AND IS THE PROPERTY OF CLEVELAND RANGE LTD. THIS DRAWING IS NOT TO BE COPIED OR USED WITHOUT THE APPROVAL OF CLEVELAND RANGE LTD.

FOR GENERAL TOLERANCES REFER TO PWI-043

CLEVELAND RANGE LTD.

8251 KEELE STREET, CONCORD, ONTARIO, CANADA

TITLE

**easyTimer ASSEMBLY
STEAMERS; STEAMCRAFT; CHEF**

MATERIAL
TYPE & GRADE
FORM
SIZE
FINISH

DO NOT SCALE
PRINTED DRAWING

DRAWN BY
KHUANG

DATE
2021/09/21

SIZE
B

DRAWING NO.

KE004164

SHEET 1 OF 1

REV
A