

## Gas Convection Steamers with Easy Timer

---

### Parts Manual

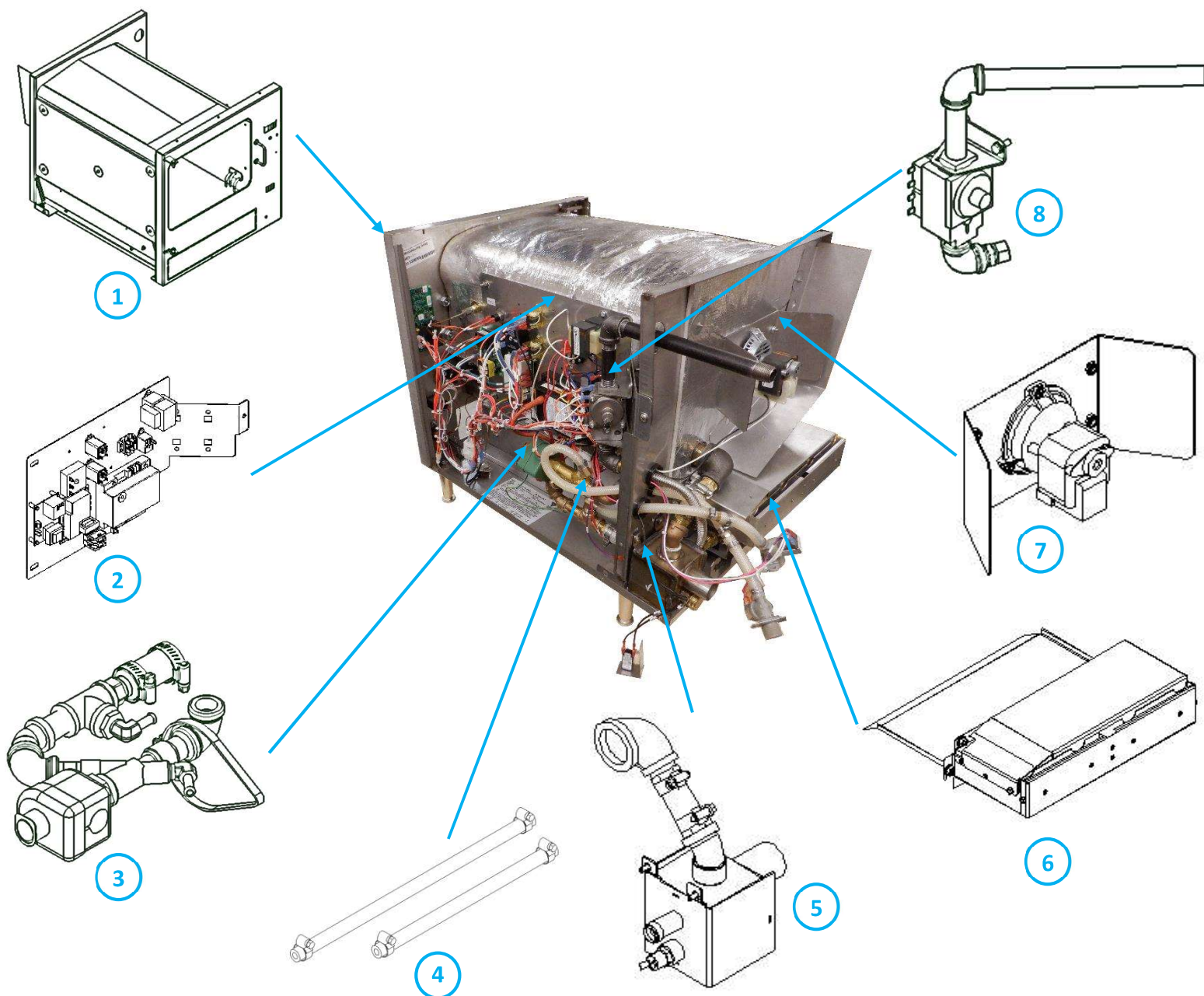
#### MODELS:

22CGT3.1

22CGT6.1

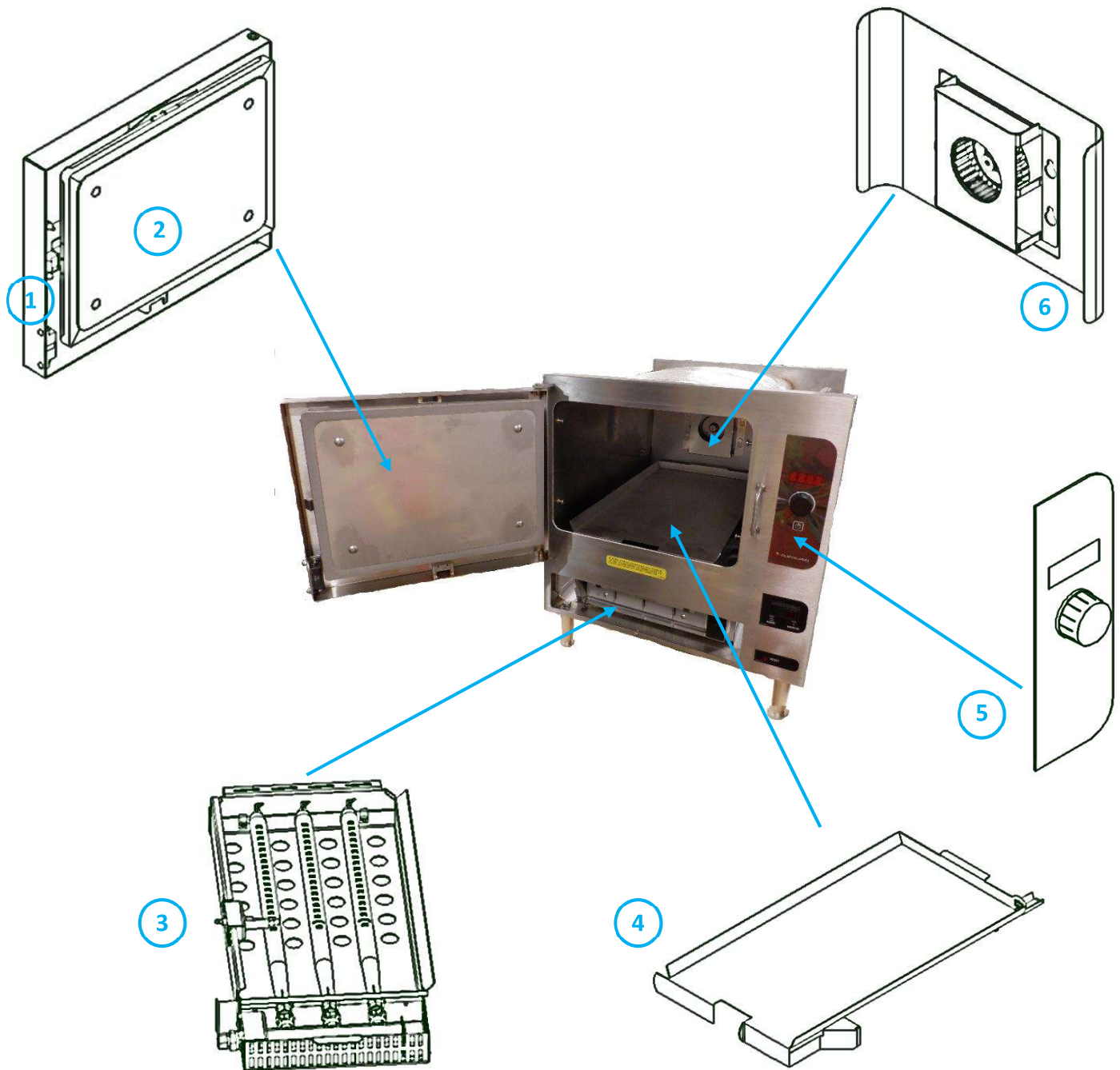


## Description: General Body Assembly 1



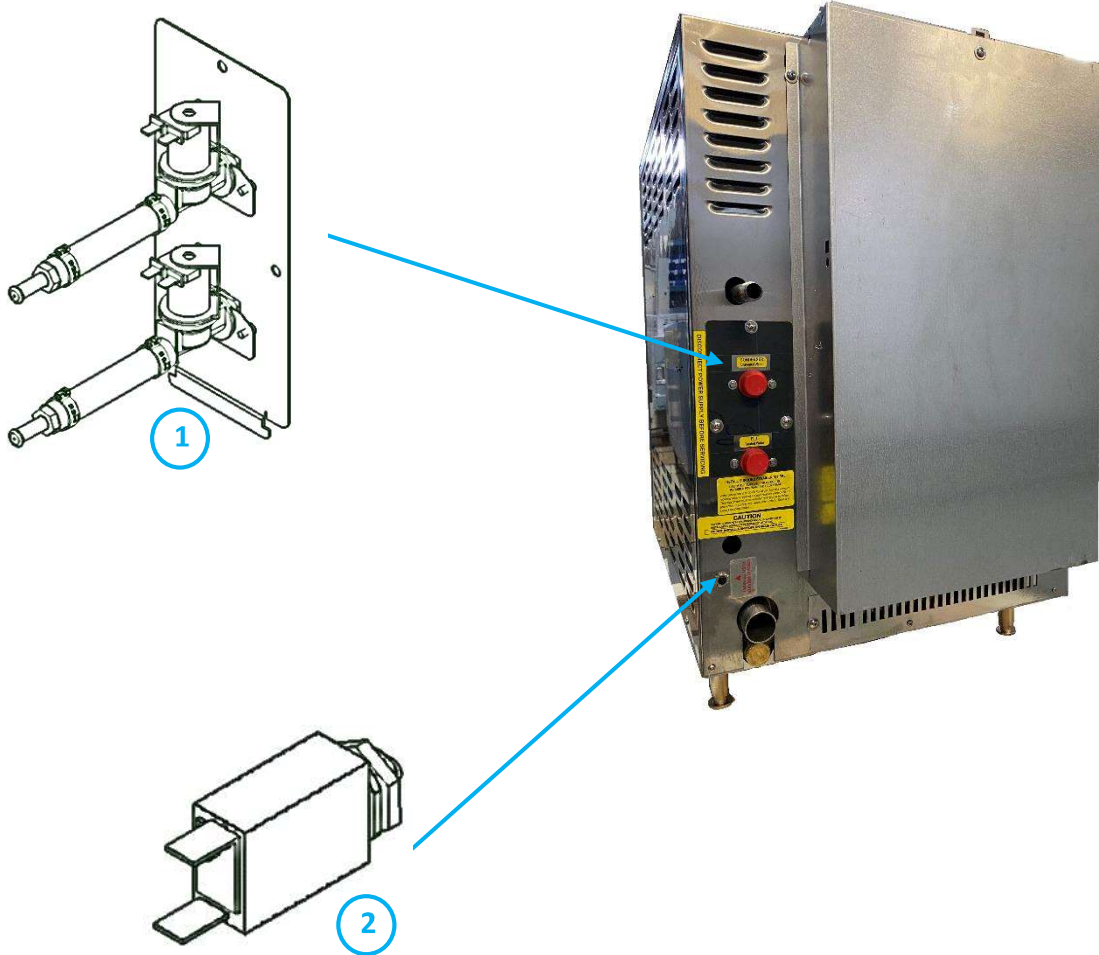
Item	Part Number		Description
	Model: 22CGT3.1	Model: 22CGT6.1	
1	114065-1	114066-1	Body Assembly
2	KE604712	KE604712	Main Control Panel Assembly
3	KE004246	KE004246	Drain/Power Piping Assembly
4	114532	114532	Hose Kit
5	114032	114032	Condenser Box Assembly
6	114033	114033	Flue Adapter Assembly
7	113902	113902	Fan Assembly
8	111890	111890	Gas Valve Assembly

**Description: General Body Assembly 2**



Item	Part Number		Description
	Model: 22CGT3.1	Model: 22CGT6.1	
1	113933	113935	Outer Door Assembly
2	104101	1042021	Inner Door Assembly
3	112992	112992	Burner Tray Assembly
4	1113771	1113771	Clean Shield Assembly
5	KE004164	KE004164	Easy Timer Assembly
6	113901	113914	Fan/Guard Assembly

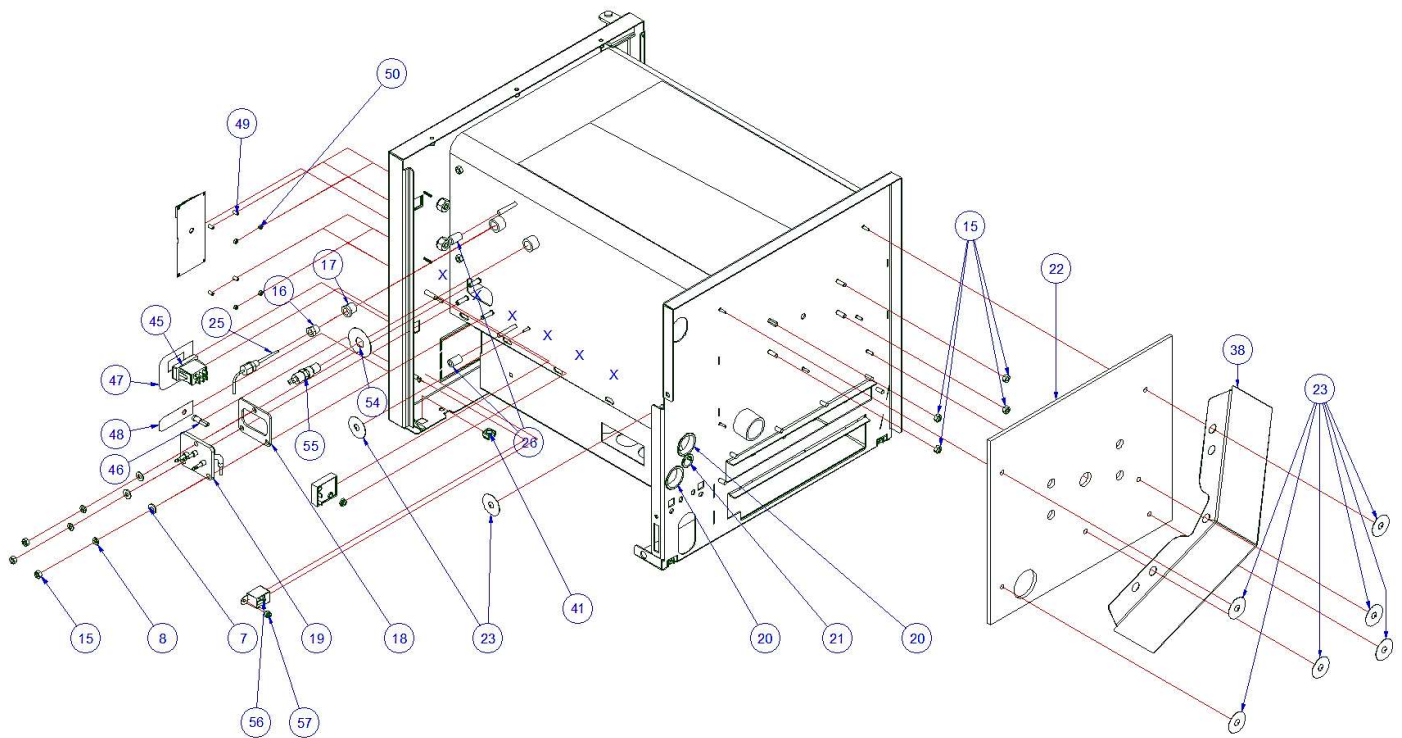
### Description: General Body Assembly 3



Item	Part Number	Description
1	112904	Water Supply Assembly
2	300255	1.5 Amp Circuit Breaker

Number: 114065-1

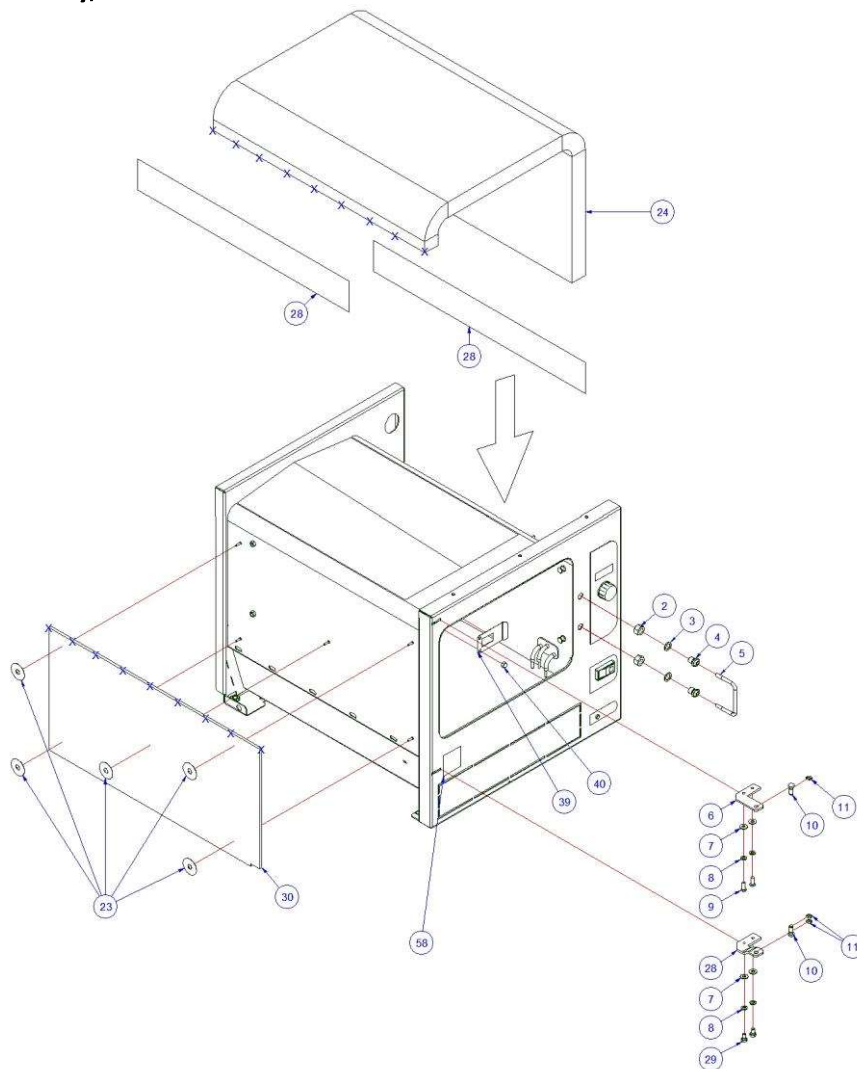
Description: Body Assembly, 22CGT3.1



Item	Qty	Part No.	Description
7	7	23116	WASHER, FLAT, .281 ID x.625 OD x .065 THK, SST
8	7	23105	WASHER, LOCK, 1/4" KATLINK STYLE, SST
15	7	14618	NUT, HEX, 1/4-20, STAINLESS STEEL
16	1	02609	BUSHING, HEX, 1/4 x 1/8, BRASS
17	1	02594	BUSHING, HEX, 3/8 x 1/4, BRASS
18	1	112517	GASKET, CHEF PROBE,1 PIECE, MOLDED
19	1	300688	MOLDED PROBE, 3 ELECTRODES
20	2	102581	BUSHING, SNAP-IN FOR 1 1/2 DIA HOLE
21	1	02600	BUSHING, INSULATOR, 11/16 ID
22	1	111870	INSULATION, REAR BODY, CHEF 3 GAS, H.L.
23	13	101953	CLIP, INSULATION RETAINER, 1-1/2, .105 HOLE, GALV.
25	1	108068	THERMOCOUPLE, 1/8" DIA, 90°
26	2	19555	SPACER,1/4" I.D. X 1/2 O.D.
38	1	1108842	BAFFLE, FAN, CHEF 3 GAS, HL & HR
41	4	112781	NUT, CAGE 3/8-16NC
45	1	300278	SWITCH, ROCKER, DPDT, RED LT./IND. TERM. 15A, 125V
46	1	12159	LIGHT, INDICATOR, NEON, RED, 7" MIN LEAD LENGTH
47	1	KE604449	LABEL, ON/ OFF
48	1	KE604584	LABEL. RESET
49	4	KE604586	EASY TIMER SPACER
50	4	KE604587	EASY TIMER NUT
54	1	111780	WASHER, RETAINER, INSULATION
55	1	19972	SWITCH, THERMAL CLOSE 193 DEG. F
56	1	41350	BUZZER, ASSY, CONTINUOUS DUTY, 120VAC, 50-60HZ
57	1	14692	NUT, HEX, 10-24, ELASTIC LOCK, ZINC PLTD, FASTENER

**Part Number: 114065-1**

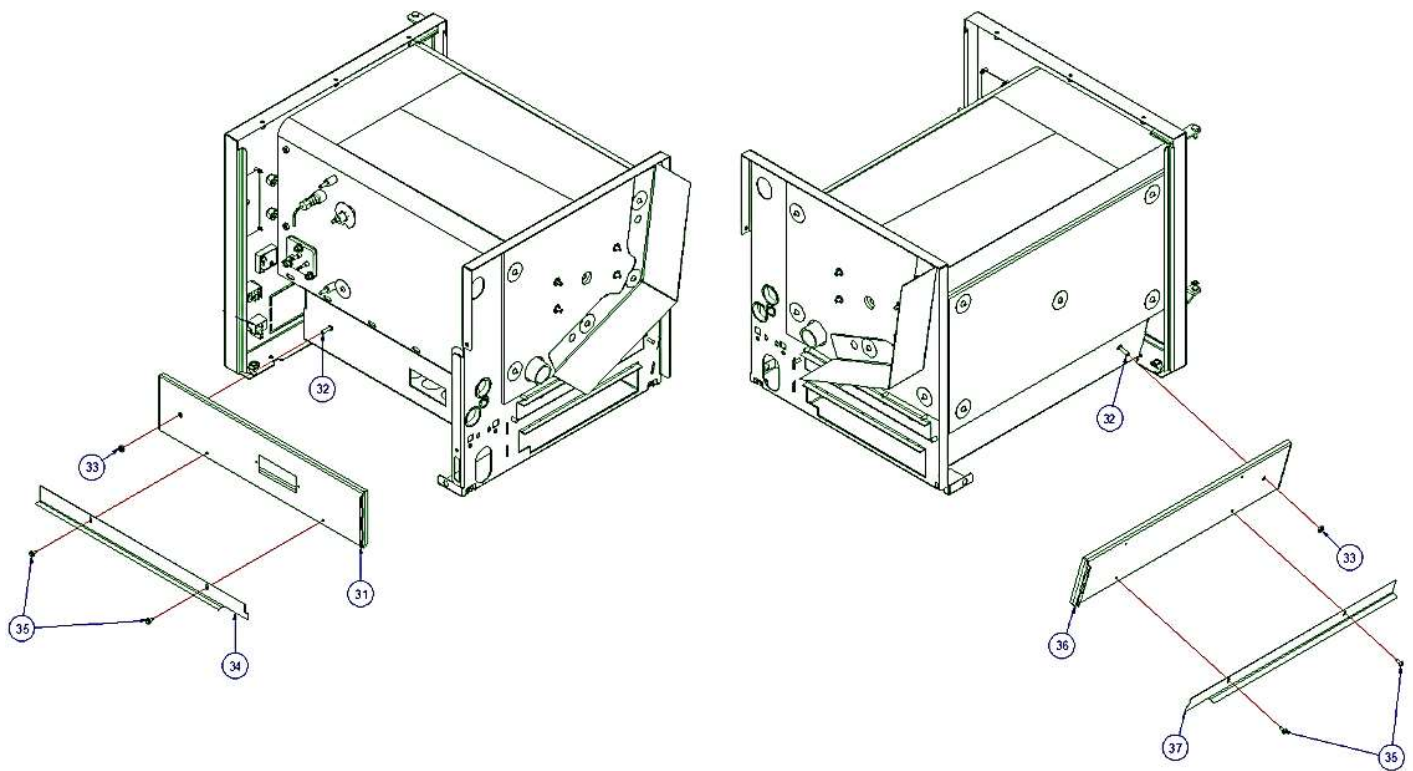
**Description: Body Assembly, 22CGT3.1**



Item	Qty	Part No.	Description
2	2	14649	NUT, HEX, ½-13, ZINC PLTD
3	2	23149	WASHER, NYLON. TYPE 6/6
4	2	14695	NUT, DOOR CATCH MOUNTING
5	1	104046	CATCH, DOOR
6	1	104035	HINGE, DOOR
7	7	23116	WASHER, FLAT, .281 ID x.625 OD x .625 THK, SST
8	7	23105	WASHER, LOCK, 1/4" KATLINK STYLE, SST
9	2	19170	SCREW, HEX HD, ¼-20x5/8, SST
10	2	104077	PIN, HINGE
11	3	104062	RING, EXT, RETAINING, SST
23	13	101953	CLIP, INSULATION RETAINER, 1-1/2, .105 HOLE, GALV.
24	1	111878	BODY WRAP, STEAMCHEF 3 GAS
28	1	1040352	HINGE, OFFSET, HL, CHEF
29	2	109232	SCREW, ¼-20 X ½, HEX HD. SST
30	1	111880	INSULATION, SIDE, CHEF 3
39	1	112442	RESTRICTOR, DRAIN, STEAMCHEF 3 AND 6, GAS
40	1	146771	NUT, ACORN, THRD LOCK, 1/4-20, SST
58	1	KE604883	QR CODE STICKER

Part Number: 114065-1

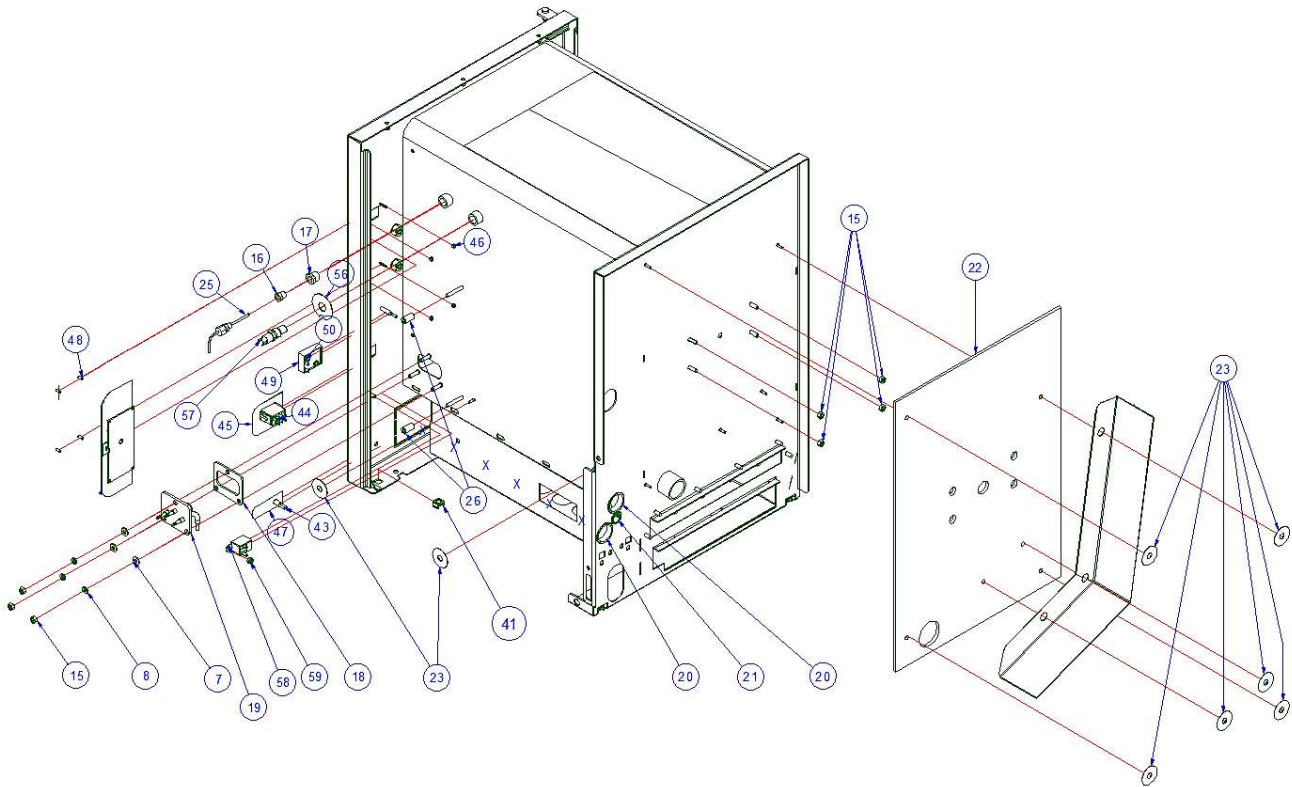
Description: Body Assembly, 22CGT3.1



Item	Qty	Part No.	Description
31	1	112984	ASSEMBLY, REATINER, INSULATED W/ PILOT CUTOFF, CHEF 3.1/6.1 GAS
32	2	104719	SCREW, CARRIAGE, ¼-20X1, SST
33	2	109482	NUT, LOCK, SELF, ¼-20 THIN HT. LT HEX
34	1	111863	BAFFLE STRIP, RIGHT
35	4	19148	SCREW, HEX WASHER HD, #10 x 1/2, TYPE AB, ZINC PLTD
36	1	113002	ASSEMBLY, RETAINER, INSULATED
37	1	111862	BAFFLE STRIP, LEFT

Part Number: 114066-1

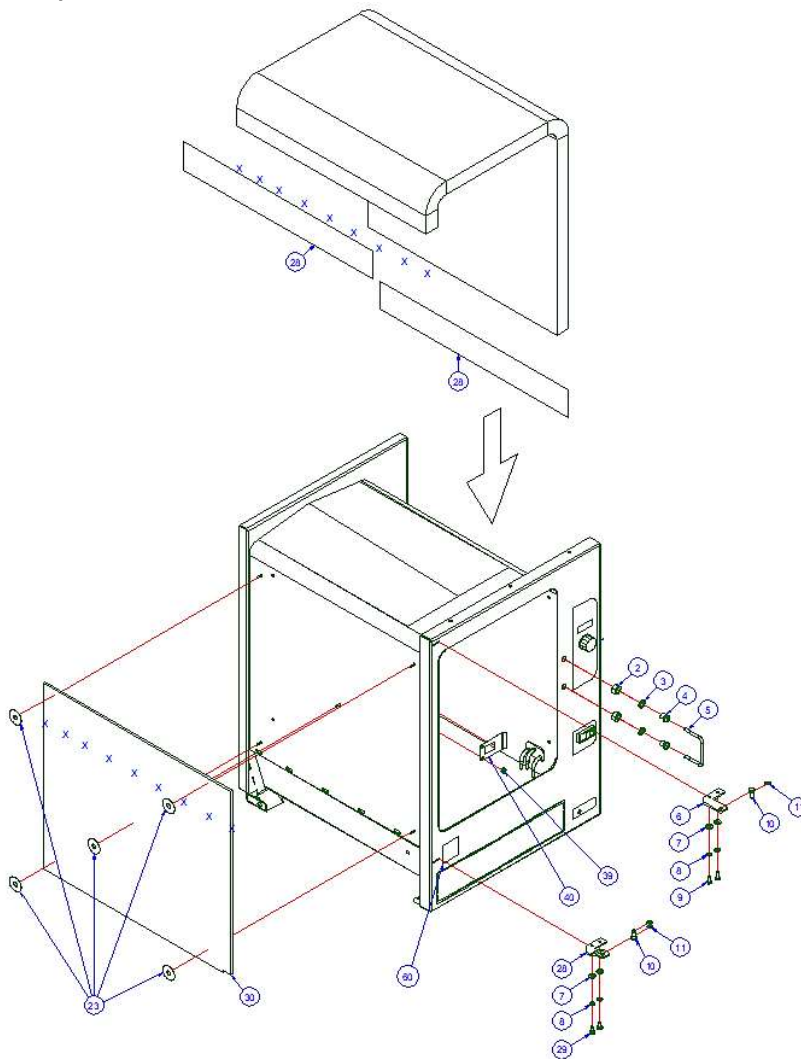
Description: Body Assembly, 22CGT6.1



Item	Qty	Part No.	Description
7	7	23116	WASHER, FLAT, .281 ID X .625 OD X .065 THK, SST
8	7	23105	WASHER, LOCK, 1/4" KATLINK STYLE, SST
15	7	14618	NUT, HEX, 1/4-20, STAINLESS STEEL
16	1	02609	BUSHING, HEX, 1/4 X 1/8, BRASS
17	1	02594	BUSHING, HEX, 3/8 X 1/4, BRASS
18	1	112517	GASKET, CHEF PROBE, 1 PIECE, MOLDED
19	1	300688	MODLED, PROBE, 3 ELECTRODES
20	2	102581	BUSHING, SNAP-IN FOR 1 1/2 DIA HOLE
21	1	02600	BUSHING, INSULATOR, 11/16 ID
22	1	111871	INSULATION, REAR BODY, CHEF 6 GAS, H.L.
23	13	101953	CLIP, INSULATION RETAINER, 1-1/2, .105 HOLE, GALV.
25	1	108068	THERMOCOUPLE, 1/8" DIA, 90 DEG.
26	2	19555	SPACER, 1/4" I.D. X 1/2 O.D.
41	4	112781	NUT, CAGE 3/8-16NC
43	1	12159	LIGHT, INDICATOR, NEON, RED, 7" MIN LEAD LENGTH
44	1	300278	SWITCH, ROCKER, DPDT, RED LT./IND. TERM. 15A, 125V
45	1	KE604449	LABEL, ON/OFF
47	1	KE604584	LABEL, RESET
48	4	KE604586	EASY TIMER SPAACER
49	1	108880	SWITCH, DOOR STEAM CUTOFF
50	1	101873	NUT, HEX 1/4-20 THIN LOCK, ZINC PLTD. STEEL
56	1	111780	WASHER, RETAINER, INSULATION
57	1	19972	SWITCH, THERMAL CLOSE 193 DEG. F
58	1	41350	BUZZER, ASSY, CONTINUOUS DUTY, 120VAC, 50-60HZ
59	1	14692	NUT, HEX, 10-24, ELASTIC LOCK, ZINC PLTD, FASTENER

**Part Number: 114066-1**

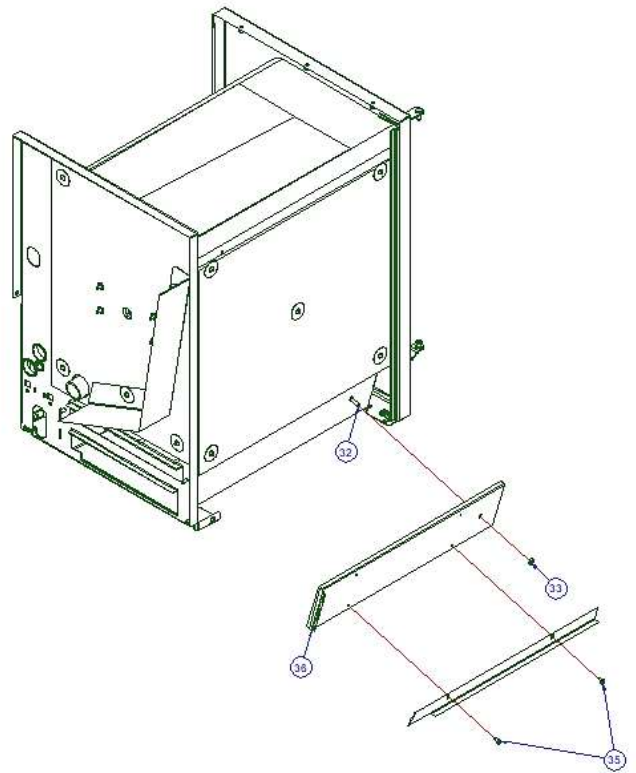
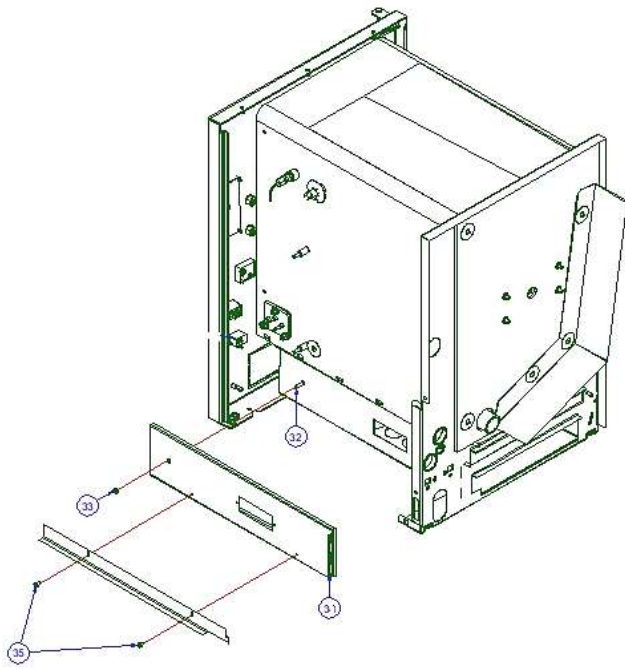
**Description: Body Assembly, 22CGT6.1**



Item	Qty	Part No.	Description
2	2	14649	<b>NUT, HEX, 1/2-13, ZINC PLTD</b>
3	2	23149	WASHER, NYLON, TYPE 6/6
4	2	14695	NUT, DOOR CATCH MOUNTING
5	1	104046	CATCH, DOOR
6	1	104035	HINGE, DOOR
7	7	23116	WASHER, FLAT, .281 ID X .625 OD X .065 THK, SST
8	7	23105	WASHER, LOCK, 1/4" KATLINK STYLE, SST
9	2	19170	SCREW, HEX HD, 1/4-20x5/8, SST
10	2	104077	PIN, HINGE
11	3	104062	RING, EXT, RETAINING, SST
23	13	101953	CLIP, INSULATION RETAINER, 1-1/2, .105 HOLE, GALV.
28	1	1040352	HINGE, OFFSET, HL, CEF
29	2	109232	SCREW, 1/4-20 X 1/2, HEX HD. SST
30	1	111881	INSULATION, SIDE, CHEF 6
39	1	146771	NUT, ACORN, THRD LOCK, 1/4-20, SST
40	1	112442	RESTRICTOR, DRAIN, STEAMCHEF 3 AND 6, GAS
60	1	KE604883	QR CODE STICKER

Part Number: 114066-1

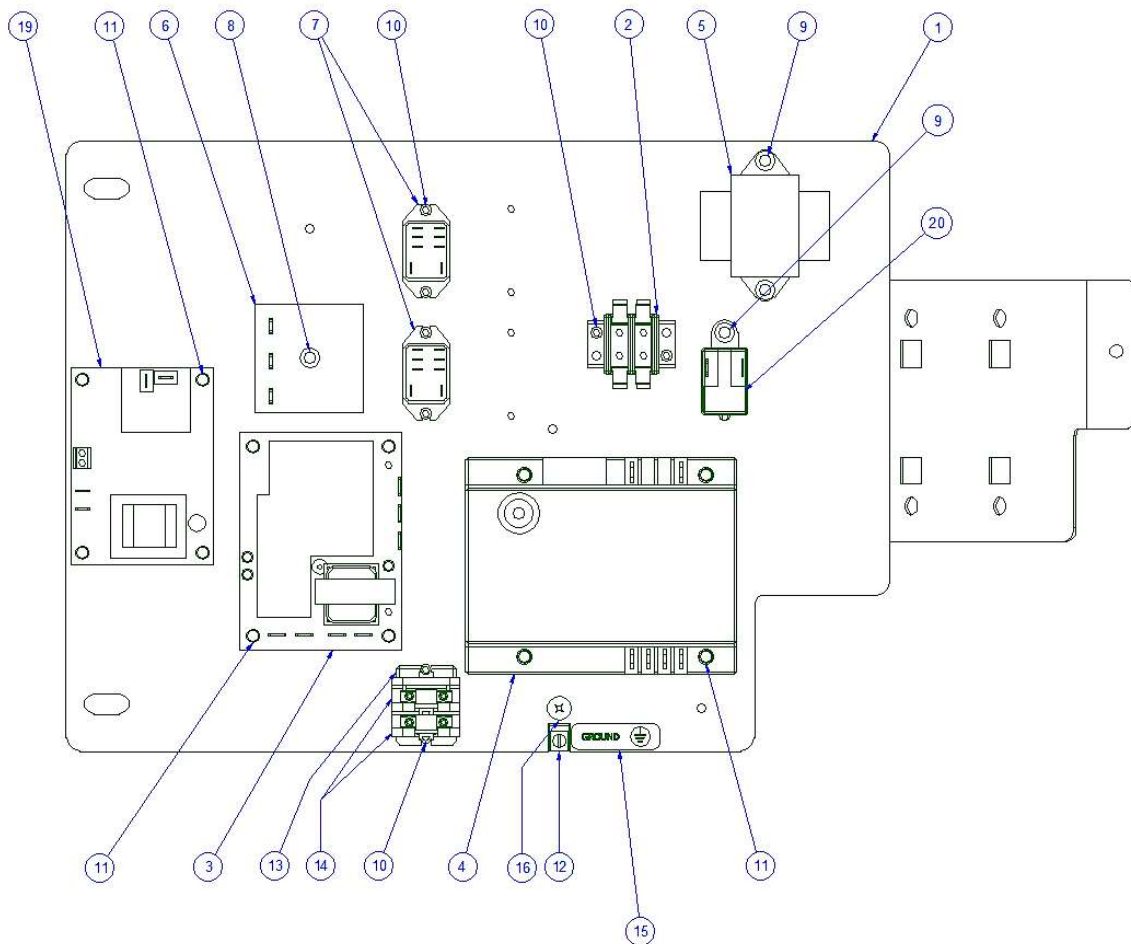
Description: Body Assembly, 22CGT6.1



Item	Qty	Part No.	Description
31	1	112984	ASSEMBLY, RETAINER, INSULATED W/ PILOT CUTOFF, CHEF 3.1/6.1 GAS
32	2	104719	SCREW, CARRIAGE, 1/4-20X1, SST
33	2	109482	NUT, LOCK, SELF, 1/4-20 THIN HT. LT HEX
35	4	19148	SCREW, HEX WASHER HD, #10 X 1/2, TYPE AB, ZINC PLTD
36	1	113002	ASSEMBLY, RETAINER, INSULATED

**Part Number: KE604712**

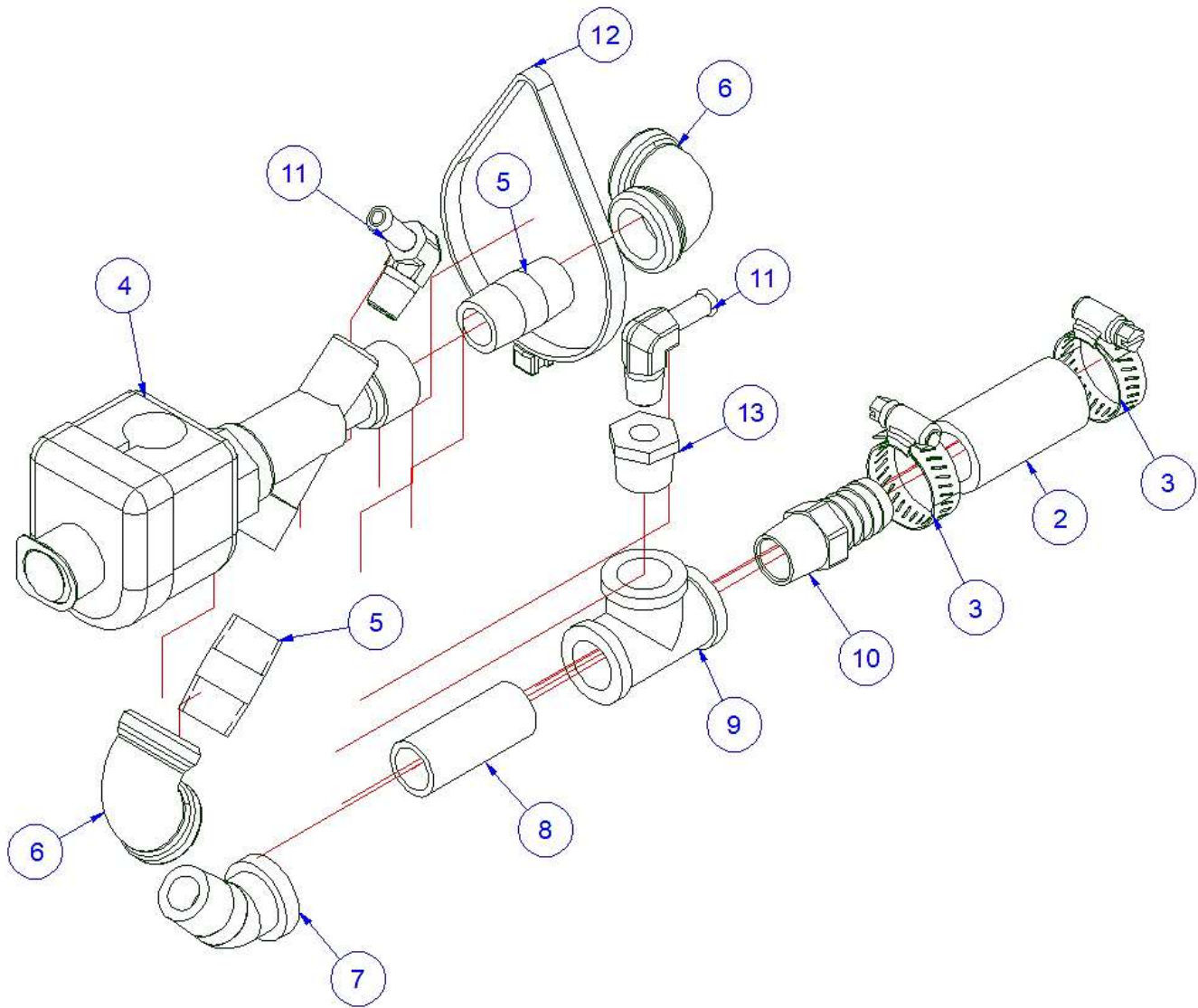
**Description: Main Control Panel Assembly, 22CGT3.1 & 22CGT6.1**



Item	Qty	Part No.	Description
1	1	113184	COMPONENT PANEL, STEAMCHEF-GAS
2	1	44168	TERMINAL, BLOCK ASM, 2 POLE
3	1	107241	BOARD, WATER LEVEL CONTROL
4	1	03546	IGNITION, MODULE, CONTROL DIRECT SPARK, 4 SECOND
5	1	20528	TRANSFORMER, 120-24V, 40VA, 50/60 HZ, 9" LEADS
6	1	20478	TIMER, SOLID STATE INTERV 3 MINUTE
7	2	105966	RELAY, DPDT-W/MTG TABS
8	1	106124	SCREW, TORX/SLOT #10-32 X 1-1/4 LG
9	3	106123	SCREW, 10-32 X 1/2, TORX/ PAN HD, THRD FORMING, ZN
10	8	106127	SCREW, 6-32 X 1/2, TORX/PAN HD
11	12	106128	SCREW, 6-32 X 1 TORX/PAN HD
12	1	20304	LUG, GROUND
13	1	20302	TERMINAL, END SECTION
14	2	20301	TERMINAL SECTION, MARATHON
15	1	14897	LABEL, GROUND
16	1	101231	SCREW, 10-24 X 0.500 SST, PHILLIPS TRUSS HEAD
19	1	300731	BOARD, SINGLE CHANNEL TEMP. CONTROL, 205 DEG. FAR.
20	1	WR51047	BUZZER, ASSY, CONTINUOUS DUTY, 24V
21	1	WHTKE604712 (not shown)	MAIN WIRING HARNESS ASSY; EZT; 22CGT3.1/6.1

Part Number: KE004246

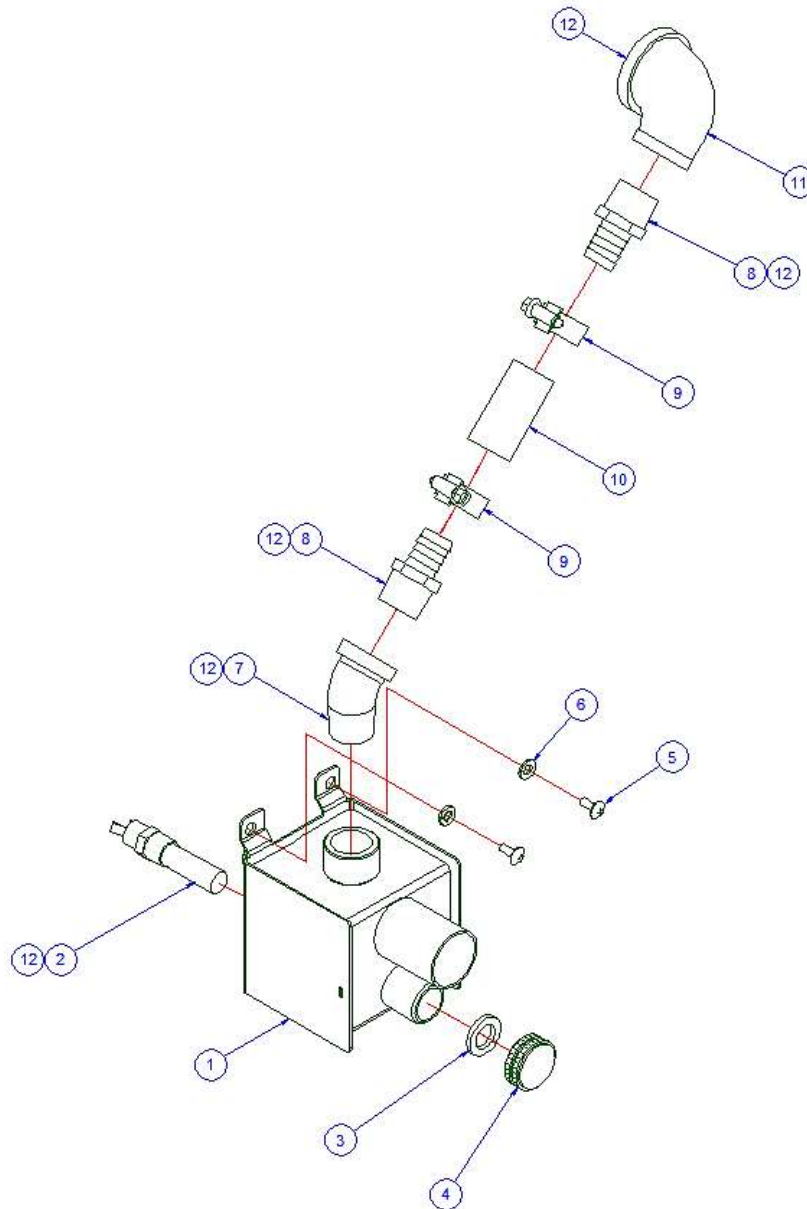
Description: Drain/Power Piping Assembly, 22CGT3.1 & 22CGT6.1



Item	Qty	Part No.	Description
2	1	1060930212	SEALANT, PIPE DOPE
3	2	03207	HOSE, SILICONE, 3/4"ID X 2.125" LG.
4	1	22221	HOSE, CLAMP, BAND, WORM DRIVE, MAX OD 1.125
5	2	14326	VALVE, SOLENOID, 1/2' DRAIN, 18IN LEAD
6	2	05250	NIPPLE .50NPTx1.50SCH 40 BRASS TBE
7	1	05223	ELBOW, 90 DEGREE, 1/2 NPT, BRASS
8	1	14328	ELBOW, STREET, 45 DEG., 1/2' NPT, BRASS
9	1	20229	NIPPLE .50NPT X 2.00 SCH 40, TBE, BRASS
10	1	06241	TEE, 1/2" NPT, BRASS
11	2	111289	FTG, HOSE BARB, 3/4Hx1/2MPT, BR.
12	1	300840	WIRE TIE, RELEASEBLE, NYLON, 14.500 LG
13	1	02623	BUSHING, HEX, 1/2 X 1/4, BRASS

**Part Number: 114032**

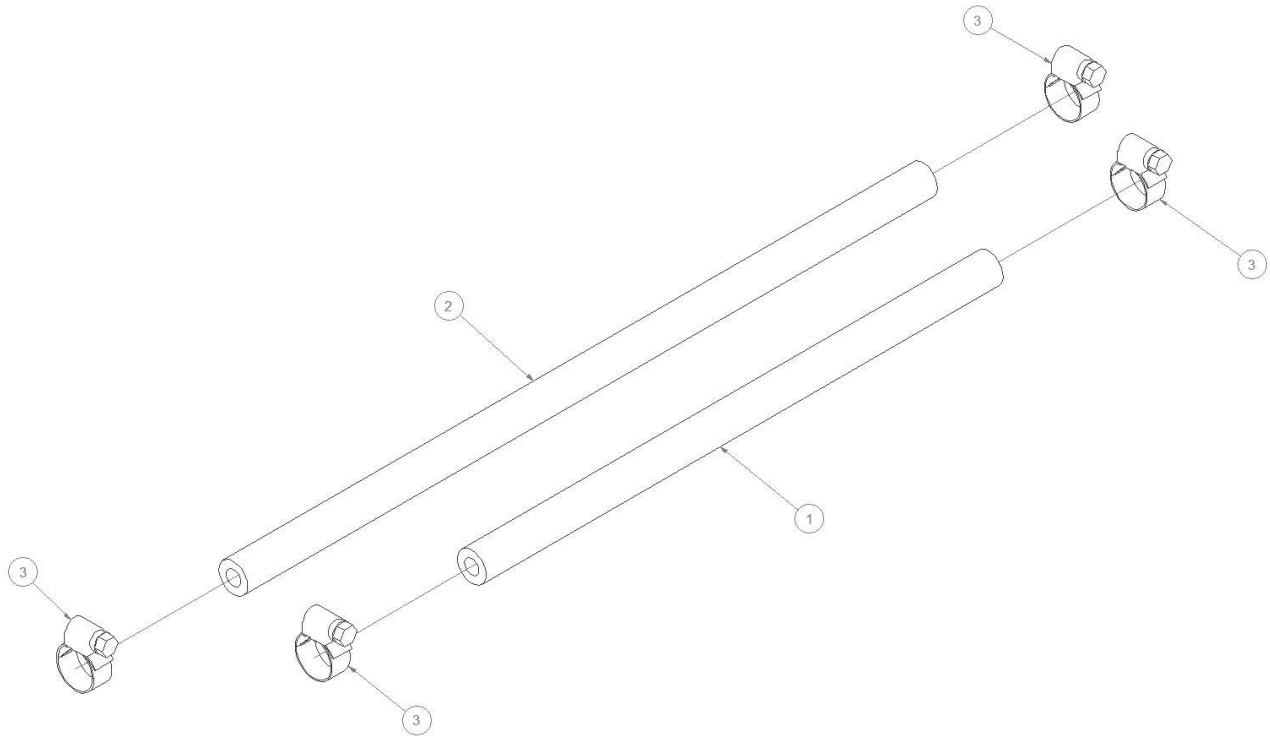
**Description: Condenser Box Assembly, 22CGT3.1 & 22CGT6.1**



Item	Qty	Part No.	Description
1	1	113038	WELDMENT, CONDESNER BOX
2	1	106288	SWITCH, THERMOSTAT, 130 DEG.
3	1	108034	WASHER 3/4 GHT HOSE
4	1	108031	CAP, HOSE NUT 3/4" HOSE THD.
5	2	101231	SCREW, 10-24 X 0.500 SST, PHILLIPS TRUSS HEAD
6	2	23105	WASHER, LOCK, 1/4" KATLINK STYLE, SST
7	1	111245	ELBOW, STREET, 45 DEG, 3/4 NPT, BRASS
8	2	06240	FTG, HOSE BARB, 3/4 X 3/4 MPT
9	2	03207	HOSE, CLAMP, LINED, WORM DRIVE, MAX OD 1.125
10	1	106093	HOSE, SILICONE, 3/4" ID X 2.125" LG.
11	1	05270	ELBOW, 90 DEG., 1-1/4 X 3/4, BLACK, REDUCING
12		00934	SEALANT, PIPE DOPE

**Part Number: 114532**

**Description: Hose Kit, 22CGT3.1 & 22CGT6.1**

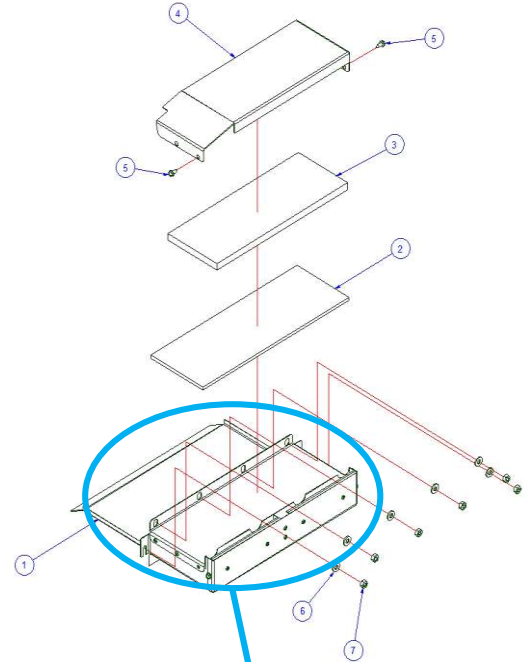


Item	Qty	Part No.	Description
1	1	105850	HOSE, NYLON REINFORCED 1/4" ID
2	1	105850	HOSE, NYLON REINFORCED 1/4" ID
3	4	106526	CLAMP, HOSE, WORM DRIVE, 3/8-5/8, 5/16W, SST

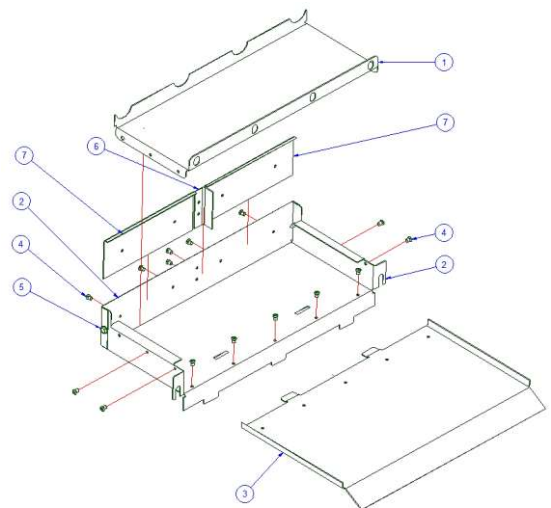
**Part Number: 114033**

**Description: Flue Adapter Assy, 22CGT3.1 & 22CGT6.1**

Item	Qty	Part No.	Description
1	1	112986	FLUE ADAPTER ASSEMBLY, CHEF 3.1/6.1 GAS
2	1	113024	INSULATION, FLUE ADAPTER, CHEF GAS, THIN
3	1	113023	INSULATION, FLUE ADAPTER, CHEF HAS, THICK
4	1	112989	RETAINER, INSULATION, FLUE ADAPTER, GAS CHEF, H.L.
5	2	19148	SCREW, HEX WASHER HD, #10 X 1/2, TYPE AB, ZINC PLTD
6	6	23116	WASHER, FLAT, .281 ID X .625 OD X .065 THK, SST
7	6	14618	NUT, HEX, 1/4-20, STAINLESS STEEL

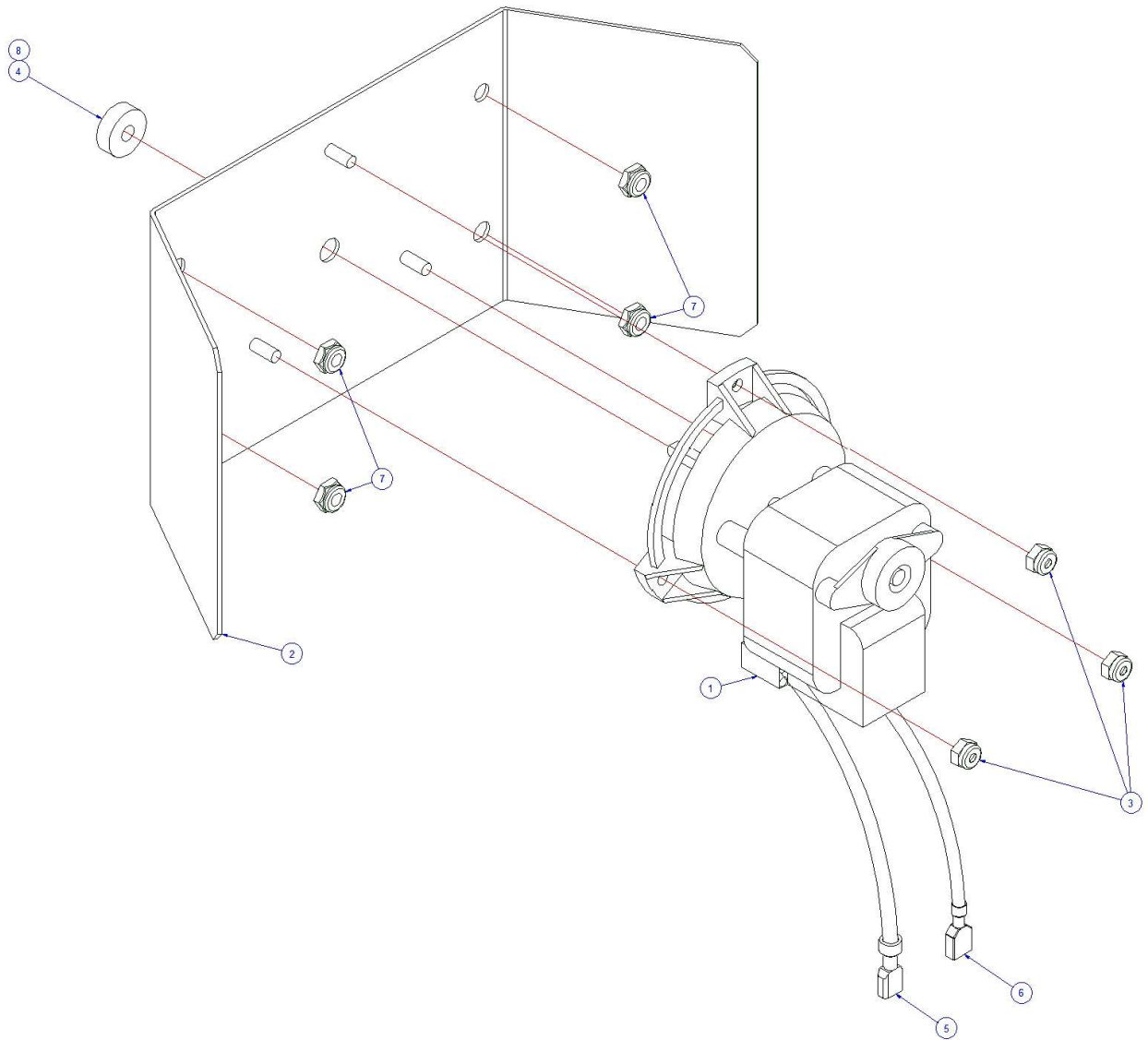


Item	Qty	Part No.	Description
1	1	112987	FLUE ADAPTER TOP PLATE, CHEF 3,6 GAS
2	1	112993	FLUE ADAPTER, CHEF 3,6 GAS
3	1	113000	PLATE, EXTENDER, FLUE ADAPTER
4	15	18357	RIVET, FLUSH BREAK, 0.125 DIA, 0.126/0.187 GRIP, SST
5	2	19148	SCREW, HEX WASHER HD, #10 X 1/2, TYPE AB, ZINC PLTD
6	1	112988	SPACER, FLUE
7	2	113053	INSERT, FLUE ADAPTER



**Part Number: 113902**

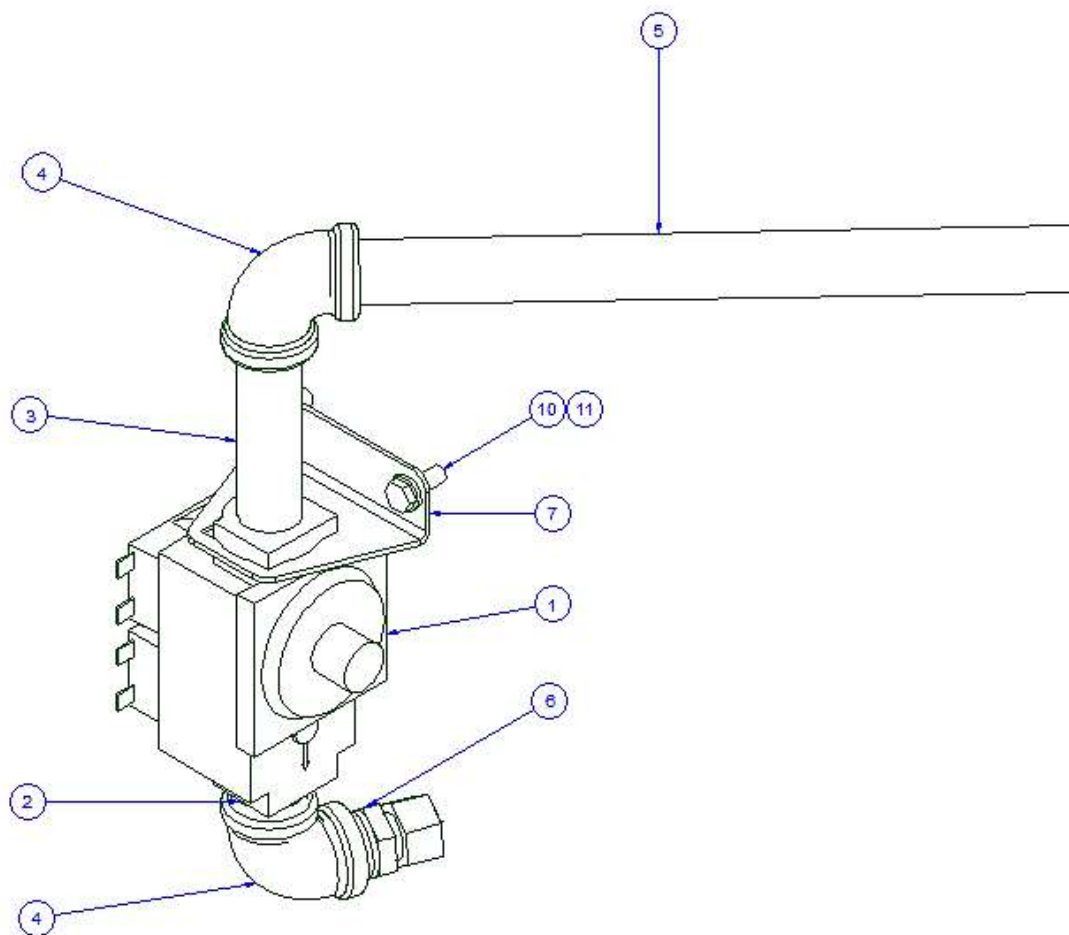
**Description: Fan Assembly, 22CGT3.1 & 22CGT6.1**



Item	Qty	Part No.	Description
1	1	110683	MOTOR, BLOWER STEAMCHEF 3
2	1	112899	ASSY, PLATE, MOTOR MOUNTING, CHEF 3.1/6.1, HL/HR
3	3	14692	NUT, HEX, 10-24, ELASTIC LOCK, ZINC PLTD, FASTENER
4	1	111272	SEAL, 1/4" ID X 3/4" OD X 1/4" THRU
5	1	20370	TERMINAL, M FULL INS, 0.032 X .250 TAB, 22-18 AWG
6	1	20351	TERMINAL, SLIPON FULL-INS, 0.032 X 0.25 TAB, 22-18 AWG
7	4	101873	NUT, HEX 1/4-20 THIN LOCK, ZINC PLTD. STEEL
8		111299	GREASE, FOOD GRADE

**Part Number: 111890**

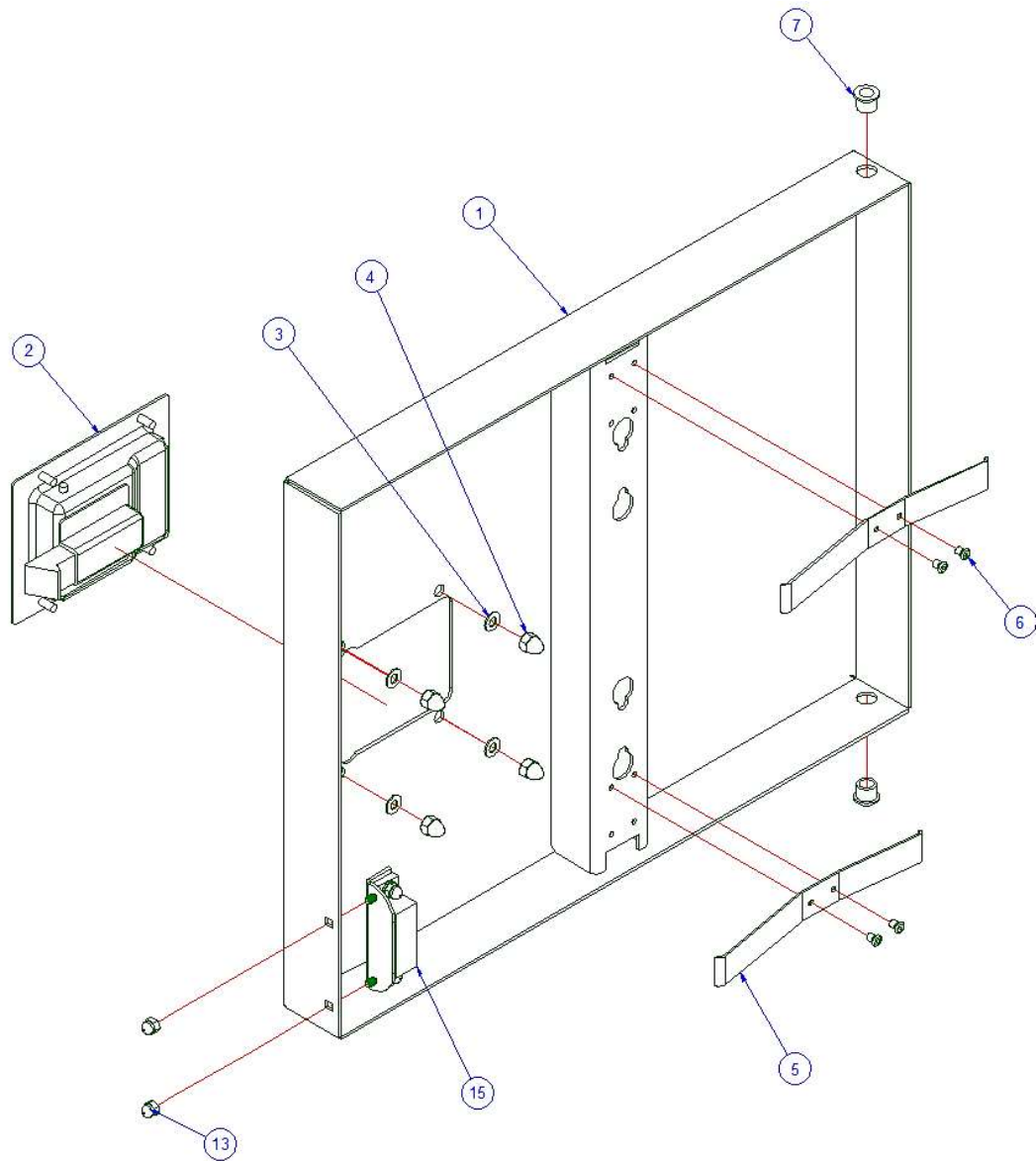
**Description: Gas Valve Assembly, 22CGT3.1 & 22CGT6.1**



Item	Qty	Part No.	Description
1	1	111814	VALVE, GAS, NATURAL, COMBINATION, 1/2" NPT, 24VAC
2	1	14323	NIPPLE, 1/2 X CLOSE, BLACK
3	1	14333	NIPPLE .50 NPT X 3.50 SCH 40, BLK, IRN, TBE
4	2	05249	ELBOW, 90 DEG., 1/2" BLK
5	1	14441	NIPPLE, .50 NPT X 9.50 SCH. 40, BLK, TBE
6	1	06204	FTG., COMP. 1/2Tx1/2MPT PARKER HANIFIN 68CA-8-8
7	1	111799	BRACKET, GAS VALVE MOUNT
10	2	23105	WASHER, LOCK, 1/4" KATLINK STYLE, SST
11	2	19170	SCREW, HEX HD, 1/4"-20x5/8, SST

**Part Number: 113933**

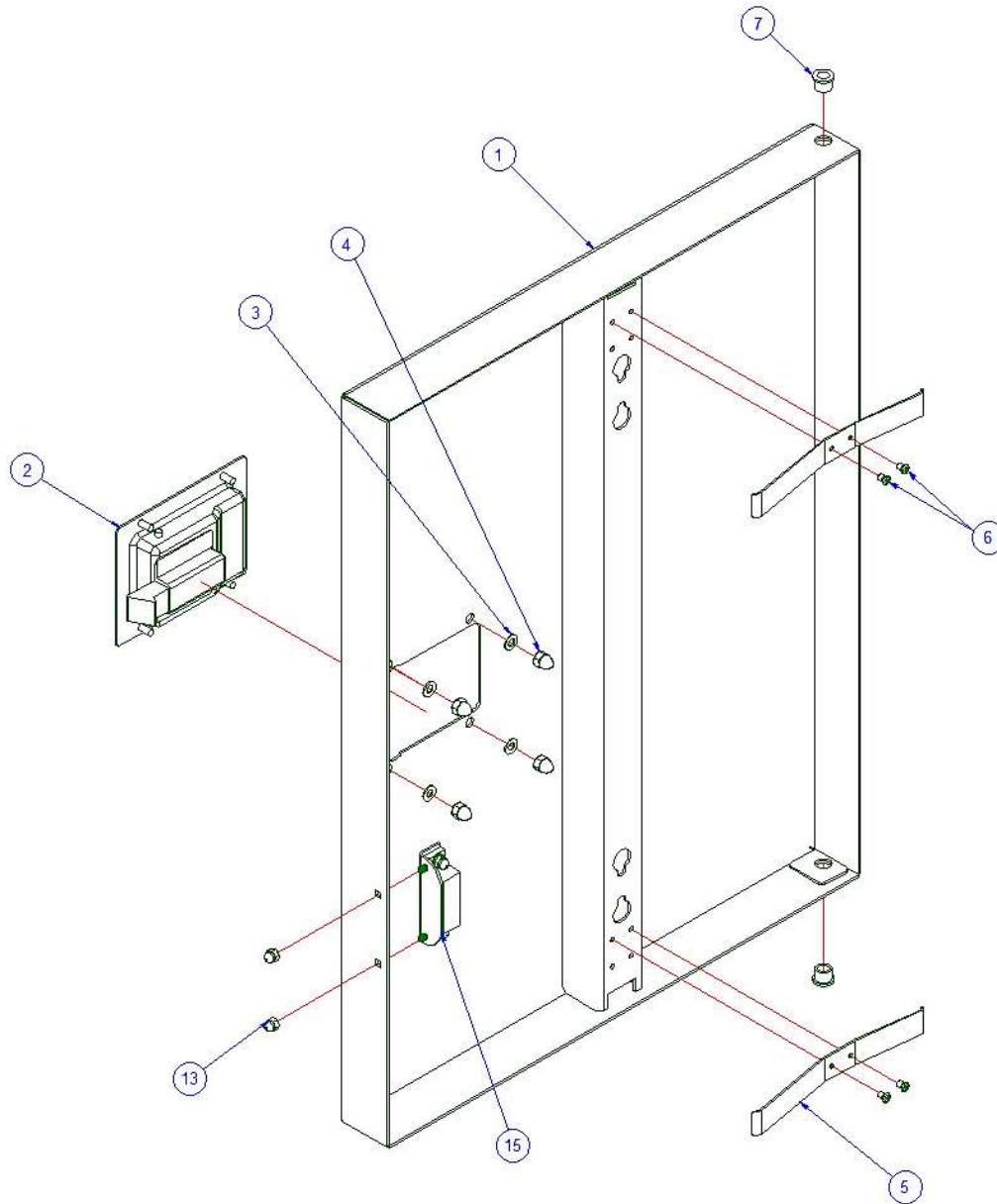
**Description: Outer Door Assembly, 22CGT3.1**



Item	Qty	Part No.	Description
1	1	113969	WELDMENT, OUTER DOOR, STEAMCHEF 3.1, HL/HR
2	1	103643	LATCH, DOOR-PAQDDLE TYPE
3	4	101655	WASHER, FLAT, #10, SST
4	4	11000115589	NUT, #10-24, HIGH CROWN ACORN, SST
5	2	102228	SPRING, DOOR, 3/5 PAN
6	4	18357	RIVET, FLUSH BREAK, 0.125 DIA, 10.126/0.187 GRIP, SST
7	2	103641	BUSHING, DOOR HINGE
13	2	109164	NUT, HEX, ACORN, 8-32, SST, W/ THREAD LOC
15	1	KE003937	ASSEMBLY, DOOR MAGNET, STEAMERS

Part Number: 113935

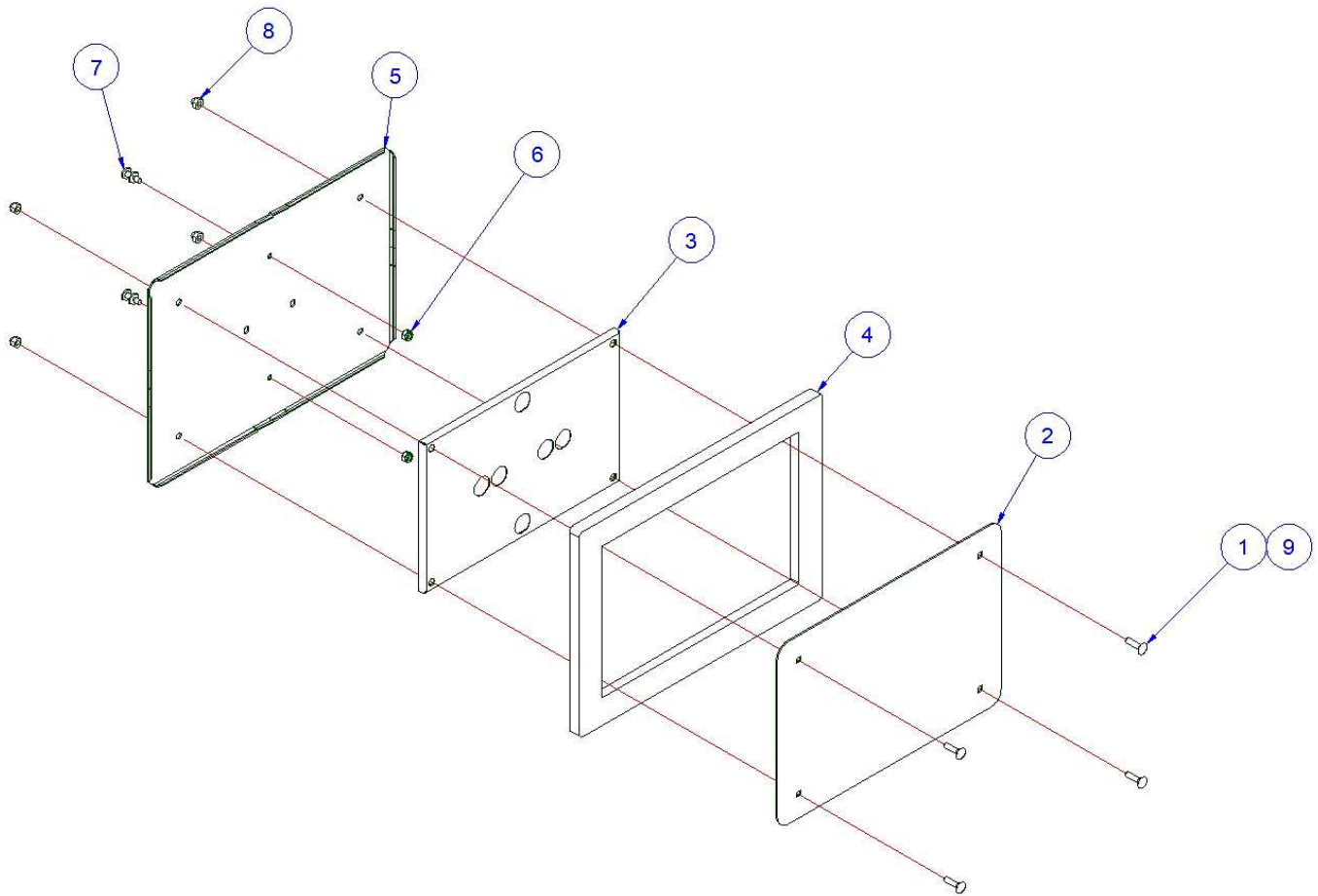
Description: Outer Door Assembly, 22CGT6.1



Item	Qty	Part No.	Description
1	1	110826	DOOR, OUTER, WELDMENT, STEAMCHEF 6.1, HL/HR
2	1	103643	LATCH, DOOR-PADDLE TYPE
3	4	101655	WASHER, FLAT, #10, SST
4	4	11000115589	NUT, #10-24, HIGH CROWN ACORN, SST
5	2	102228	SPRING, DOOR, 3/5 PAN
6	4	18357	RIVET, FLUSH BREAK, 0.125 DIA, 0.126/0.187 GRIP, SST
7	2	103641	BUSHING, DOOR HINGE
13	2	109164	NUT, HEX, ACORN, 8-32, SST W/ THREAD LOC
15	1	KE003937	ASSEMBLY, DOOR MAGNET, STEAMERS

Part Number: 104101

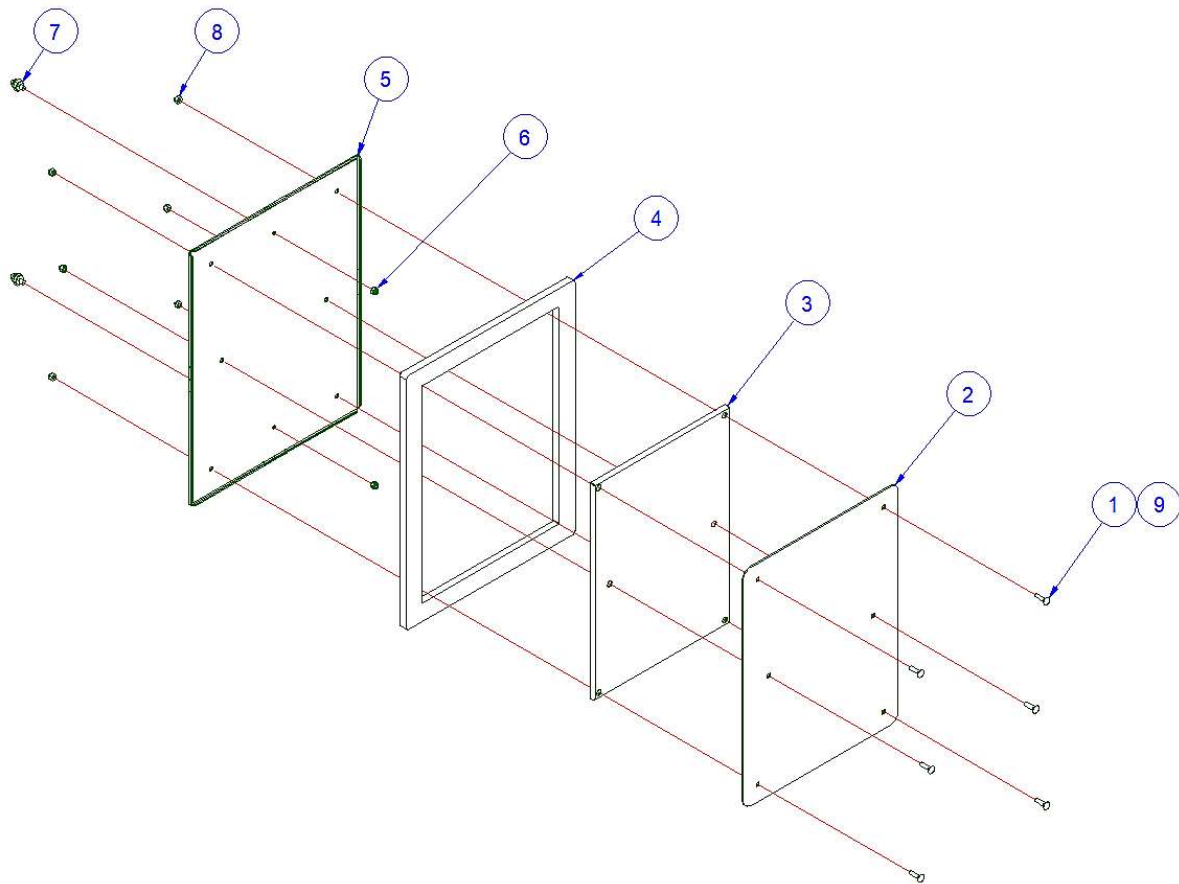
Description: Inner Door Assembly, 22CGT3.1



Item	Qty	Part No.	Description
1	4	104719	SCREW, CARRIAGE, 1/4-20X1, SST
2	1	66595	PLATE, GASKET RETAINER
3	1	66214	PLATE, INNER DOOR GASKET
4	1	07138	GASKET, DOOR, CONV, STMR., SC
5	1	04171	DOOR, INNER, CONVECTION STEAMER
6	2	14665	NUT, HEX, 1/4-20 LOCK, SST (NYLON INSERT)
7	2	19923	STUD, INNER DOOR MOUNTING
8	4	146771	NUT, ACORN, THRD LOCK, 1/4-20, SST
9		00933	SEALANT; RTV; CLEAR

**Part Number: 1042021**

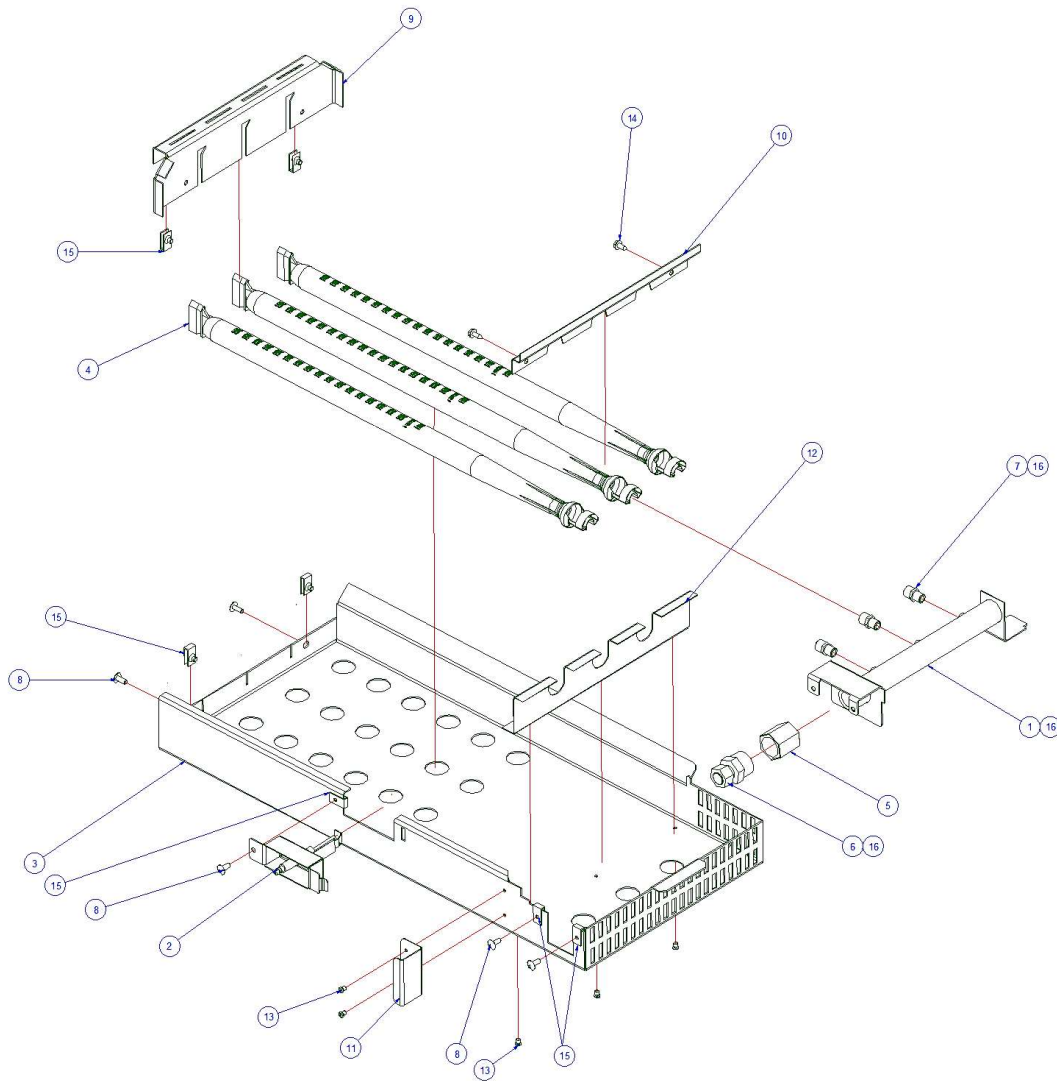
**Description: Inner Door Assembly, 22CGT6.1**



Item	Qty	Part No.	Description
1	6	104719	SCREW, CARRIAGE, 1/4-20X1, SST
2	1	110828	PALTE, GASKET RETAINER
3	1	110829	PLATE, INNER GASKET RETAINER, STEAMCHEF 6
4	1	110830	GASKET, DOOR, STEAMCHEF 6
5	1	110825	DOOR, INNER STEAMCHEF 6
6	2	14665	BUT, HEX, 1/4-20 LOCK, SST (NYLON INSERT)
7	2	66508	PIN, GUIDE, INNER DOOR
8	6	146771	NUT, SCORN, THRD LOCK, 1/4-20, SST
9	1	00933	SEALANT; RTV; CLEAR;

**Part Number: 112992**

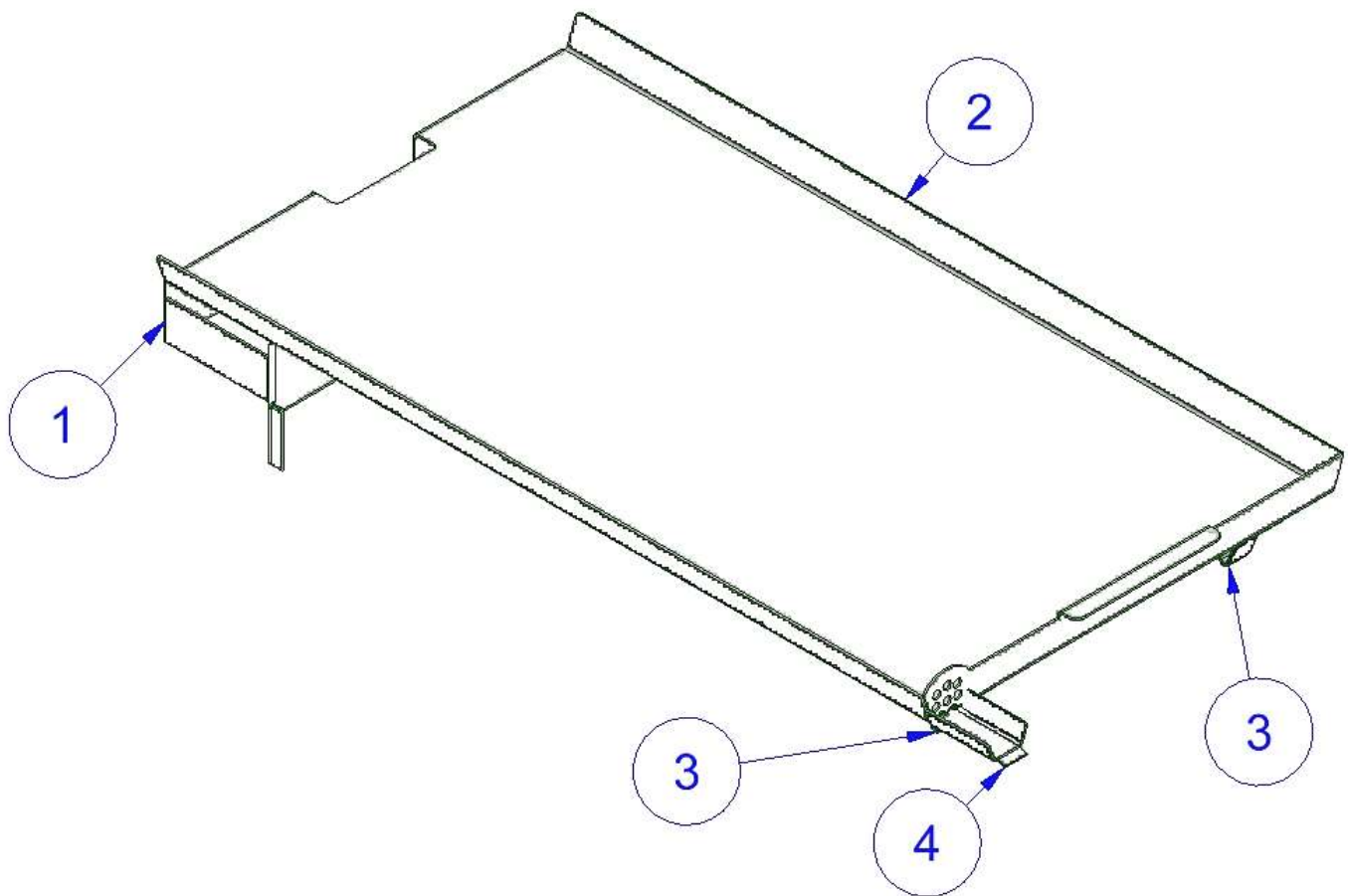
**Description: Burner Tray Assembly, 22CGT3.1 & 22CGT6.1**



Item	Qty	Part No.	Description
1	1	111373	GAS MANIFOLD WELDMENT, H.L.
2	1	111896	IGNITOR ASSY, GAS CHEF
3	1	112999	BURNER TRAY, CHEF 3.1/6.1 GAS, H.L.
4	3	112998	BURNER, BECKETT, TUBE, 1", STEAMCHEF
5	1	03612	COUPLING, FULL, 3/4", BR.
6	1	06206	COMPRESSION FTG
7	3	111820	ORIFICE, BLANK, BECKETT BURNER
8	5	101231	SCREW, 10-24 X 0.500 SST, PHILLIPS TRUSS HEAD
9	1	112981	END CAP, BURNER TRAY
10	1	111772	LOCK BAR, BURNER TUBE, CHEF, GAS H.L.
11	1	111811	BAFFLE, AIR, BURNER BOX RIGHT SIDE
12	1	111813	BAFFLE, AIR, BURNER SURROUND H.L.
13	5	18357	RIVET, FLUSH BREAK, 0.125 DIA, 0.126/0.187 GRIP, SST
14	2	19148	SCREW, HEX WASHER HD, #10 X 1/2, TYPE AB ZINC PLTD
15	7	108734	NUT, "U" TYPE (EXTRUDED) #10-24 UNC-2B THREAD
16		00934	SEALANT, PIPE DOPE

Part Number: 1113771

Description: Clean Shield Assembly, 22CGT3.1 & 22CGT6.1



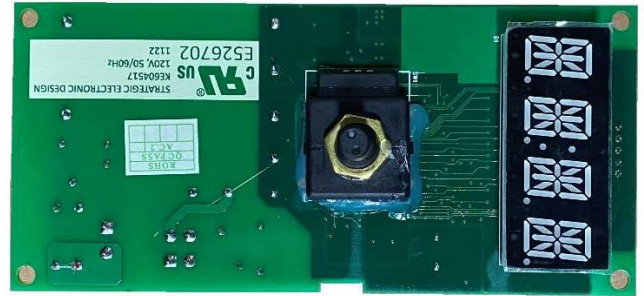
Item	Qty	Part No.	Description
1	1	1113781	PLATE, COLLECTOR, STEAMCHEF, GAS, HL
2	1	1107012	BAFFLE, FRONT PROBE, COLLECTOR PLT, STEAMCHEF, HL
3	2	111897	FOOT, CLEANSHIELD, STEAMCHEF
4	1	1113792	CLEAN SHIELD DRAIN TROUGH, CHEF 3,6

Part Number: KE004164

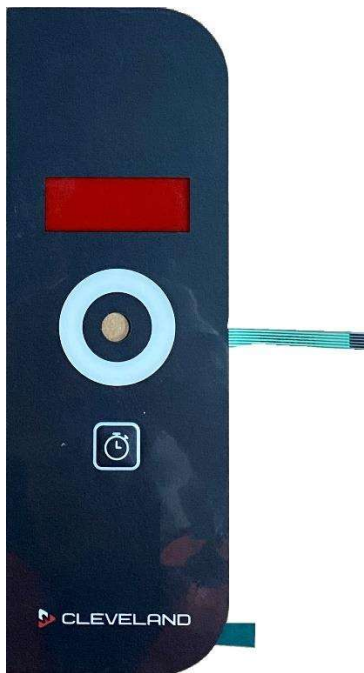
Description: Easy Timer Assembly, 22CGT3.1 & 22CGT6.1



KE604176 EasyTimer Control/Timer Knob



KE604517 EasyTimer PCB



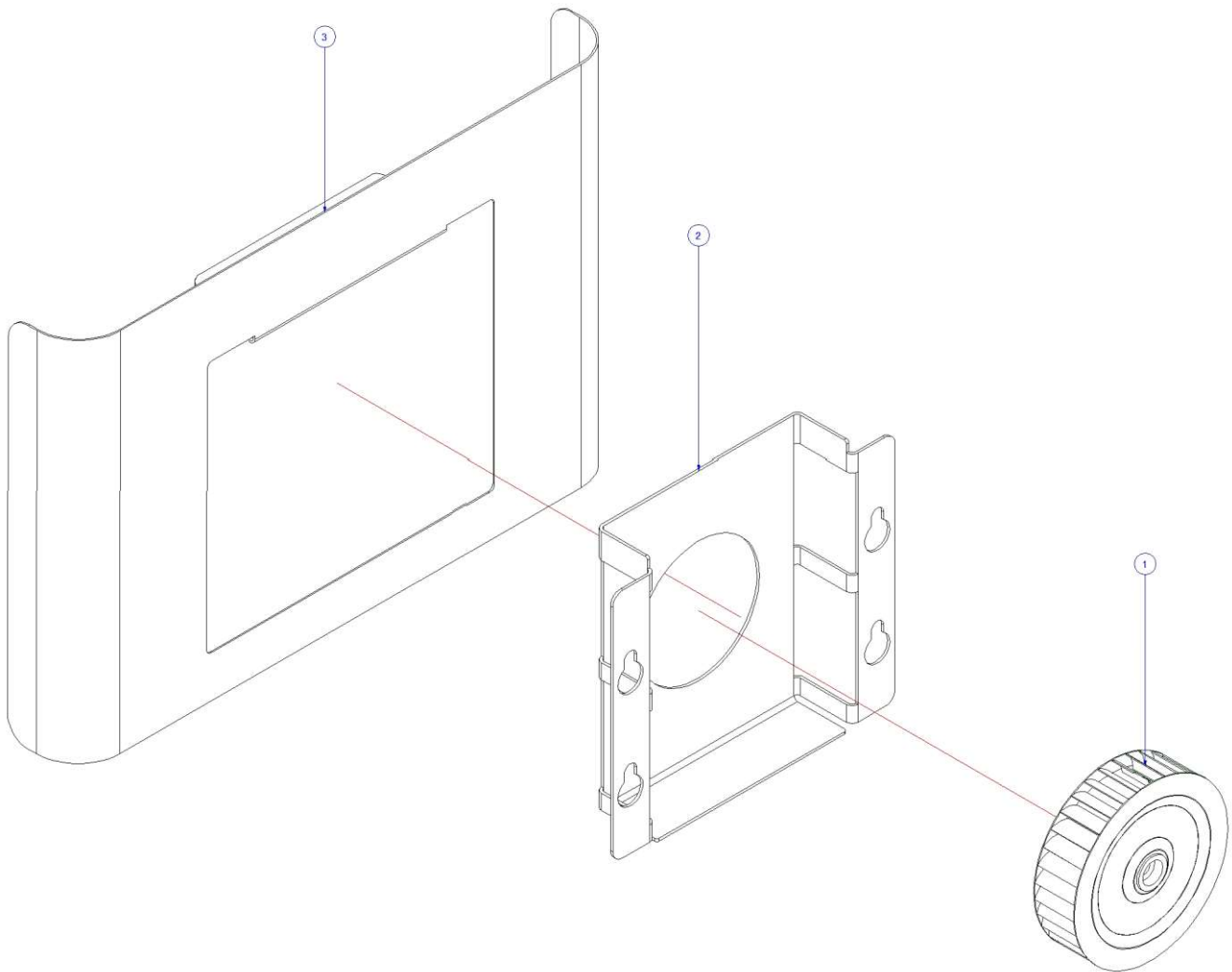
KE604518 EasyTimer Overlay



KE604710 EasyTimer Plastic Insert

**Part Number: 113901**

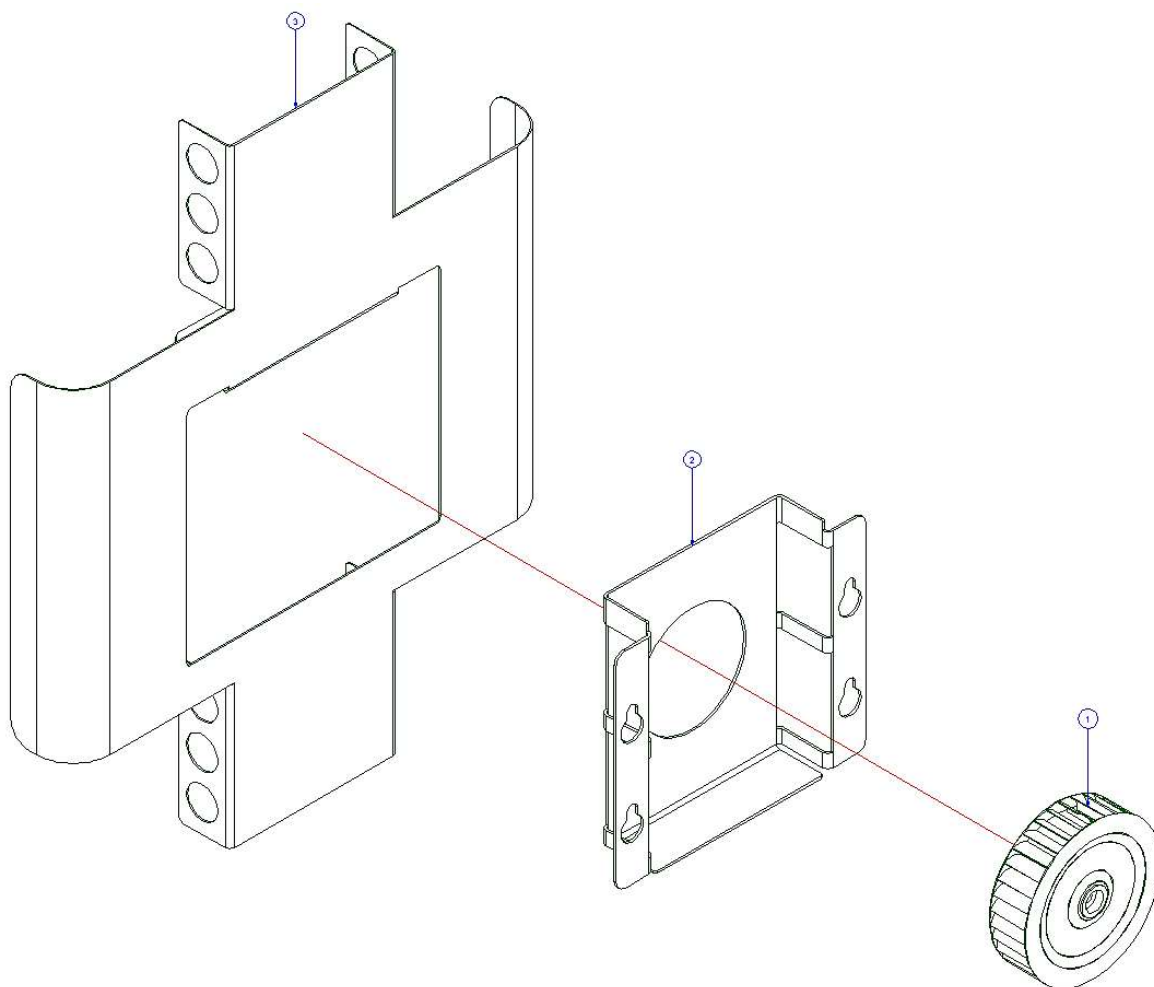
**Description: Fan/Guard Assembly, 22CGT3.1**



Item	Qty	Part No.	Description
1	1	108171	WHEEL, BLOWER BMW-334
2	1	1118681	GUARD, FAN, STEAMCHEF
3	1	1118682	GUARD, BACKPLATE, FAN, STEAMCHEF 3.1

**Part Number: 113914**

**Description: Fan/Guard Assembly, 22CGT6.1**



Item	Qty	Part No.	Description
1	1	108171	WHEEL, BLOWER BMW-334
2	1	1118681	GUARD, FAN, STEAMCHEF
3	1	1118683	GUARD, BACKPLATE, FAN, STEAMCHEF 6.1

**Part Number: 112904**

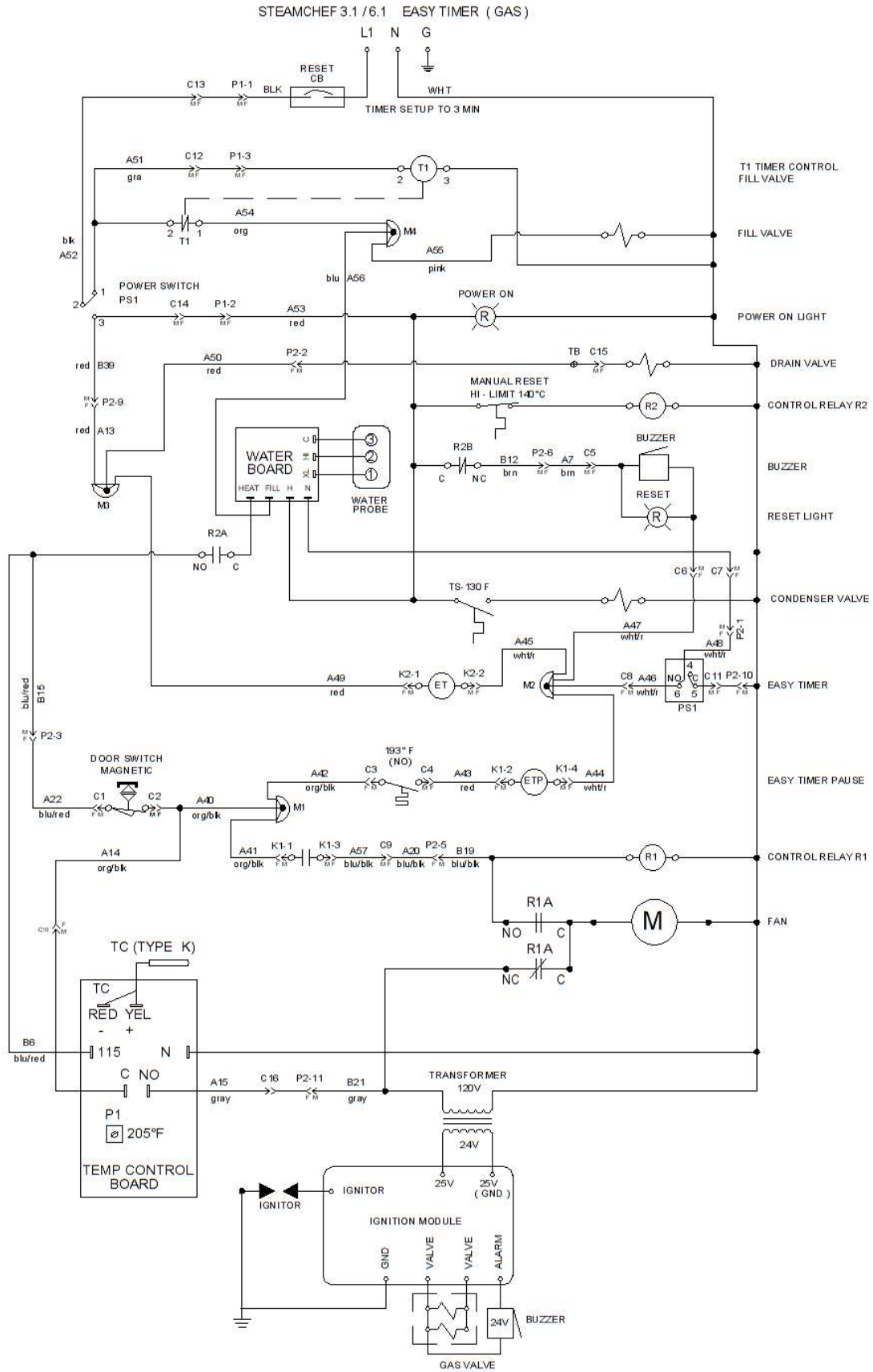
**Description: Water Supply Assembly, 22CGT3.1 & 22CGT6.1**

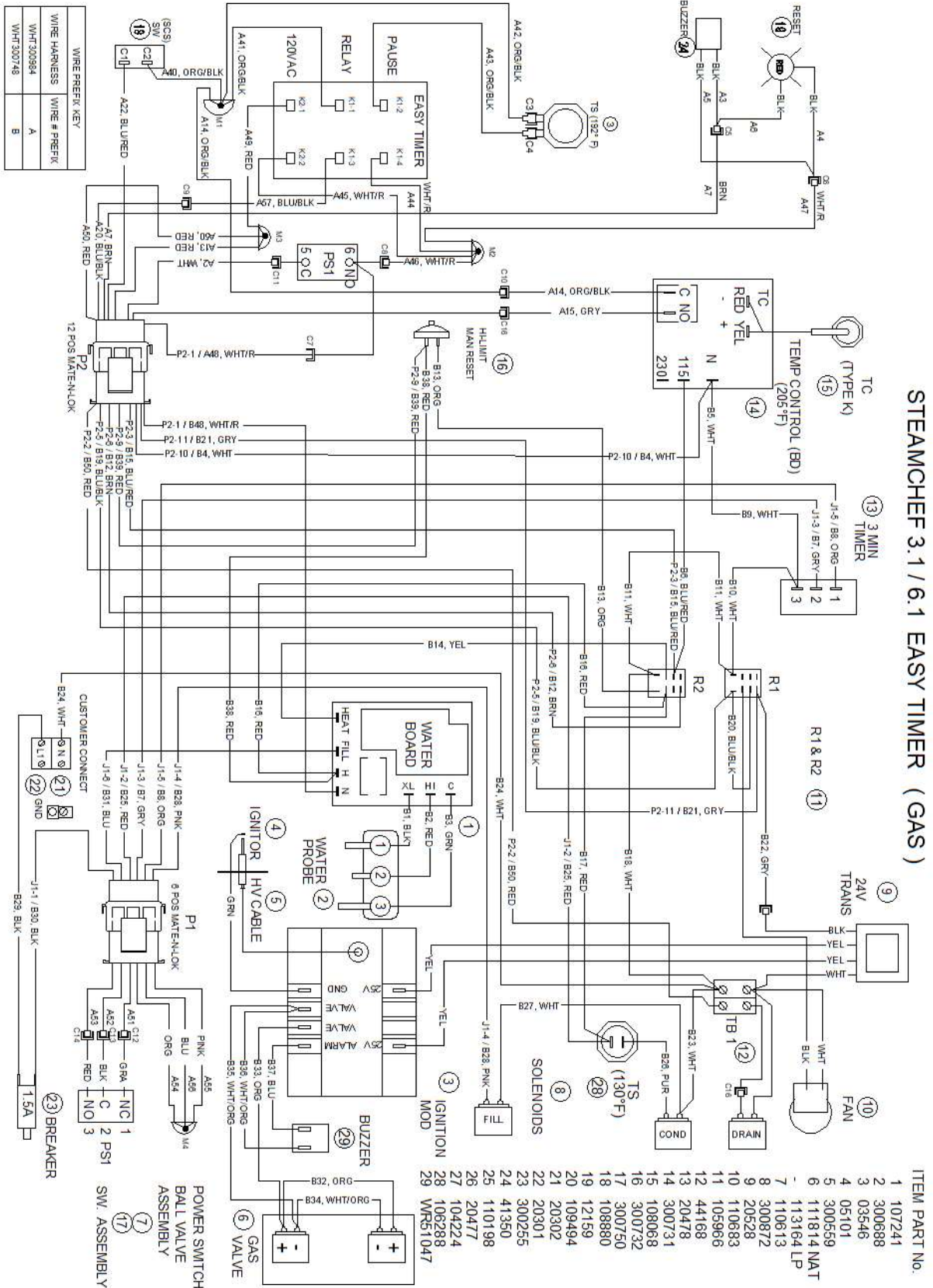


Item	Qty	Part No.	Description
1	2	300872	VALVE, 0.5 GPM, 1 WAY, 120VAC, 50/60 Hz, GARDEN HOSE THREAD
3	1	112903	DOOR, PLATE, WATER INLET, CHEF 3,6
4	4	C8005021	WASHER, FLAT, 0.169 ID X 0.346 OD X 0.031 THK, SST
5	4	C8013004	SCREW, M4X0.7X10, HEX HEAD, SST
7	2	111113	CAP, NON-THREADED, PROTECTOR
9	2	111498	HOSE, SILICONE, 0.375" ID X 0.655" OD X 3.500 LONG
10	4	C6016070	CLAMP, HOSE, 0.630" – 0.756", ONE EAR, STEPLESS, SST, OETIKER 16700110
11	2	11000115609	FLOW RESTRICTOR, .062, 1/4 ID TO 3/8 ID, ADPATER

Part Number: KE604609

Description: Wiring Diagram (1 of 2)





# Cleveland

## Service/Parts:

1-844-724-2273

US: Press #4 after prompt to be directed to Technical Services. Press #2 after prompt to be directed to Cleveland.

Canada: Press #1 after prompt to be directed to service in Canada.

---

---

Every new piece of Welbilt Foodservice equipment comes with KitchenCare® and you choose the level of service that meets your operational needs from one restaurant to multiple locations

**StarCare** – Warranty & lifetime service, certified OEM parts, global parts inventory, performance audited

**ExtraCare** – CareCode, 24/7 Support, online/mobile product information

**LifeCare** – Install & equipment orientation, planned maintenance, KitchenConnect™, MenuConnect®

**Talk with KitchenCare®** • 1-844-724-CARE • [www.mtwkitchencare.com](http://www.mtwkitchencare.com)



To learn how Welbilt Foodservice and its leading brands can equip you, visit our global web site at [www.welbilt.com](http://www.welbilt.com), then discover the regional or local resources available to you.