

Gemini

Cleveland

Dual Gas Steam Generator & Convection Steamer with Easy Timer

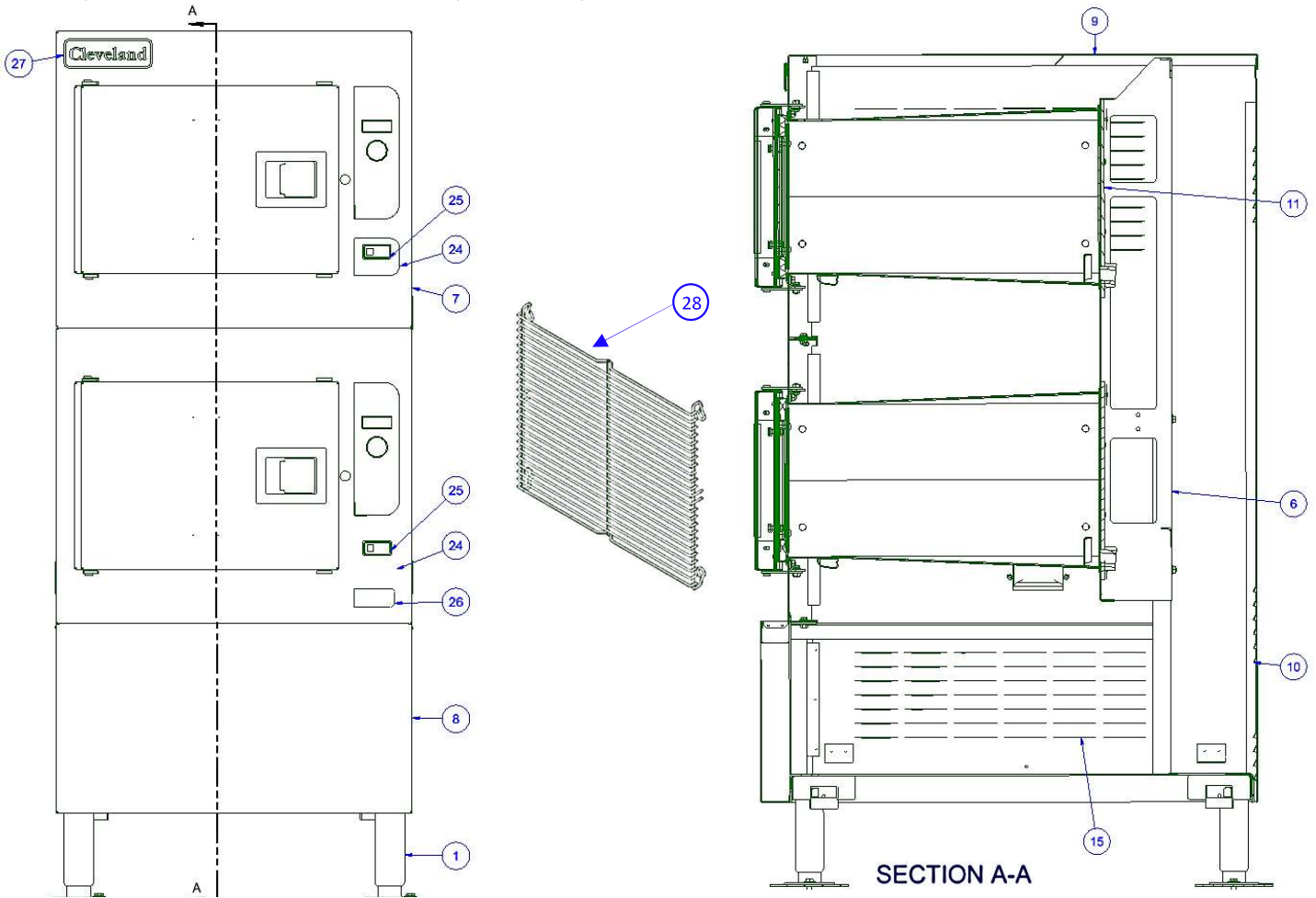
Parts Manual

MODEL:

24CGA6.2S

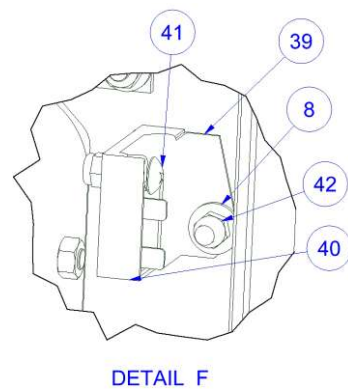
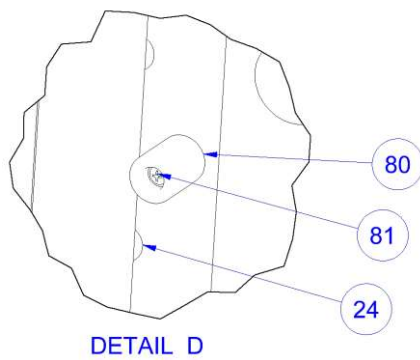
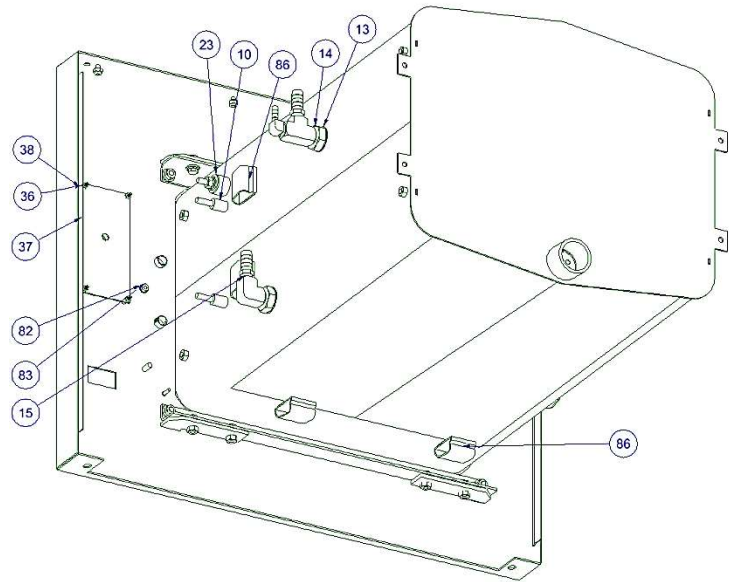
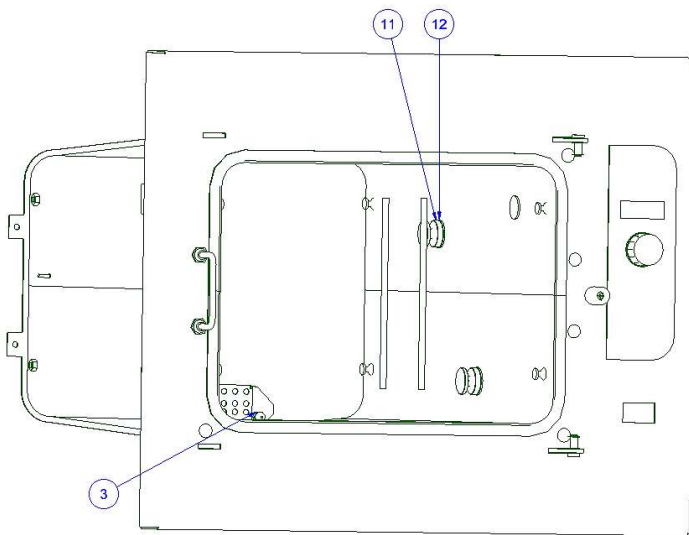
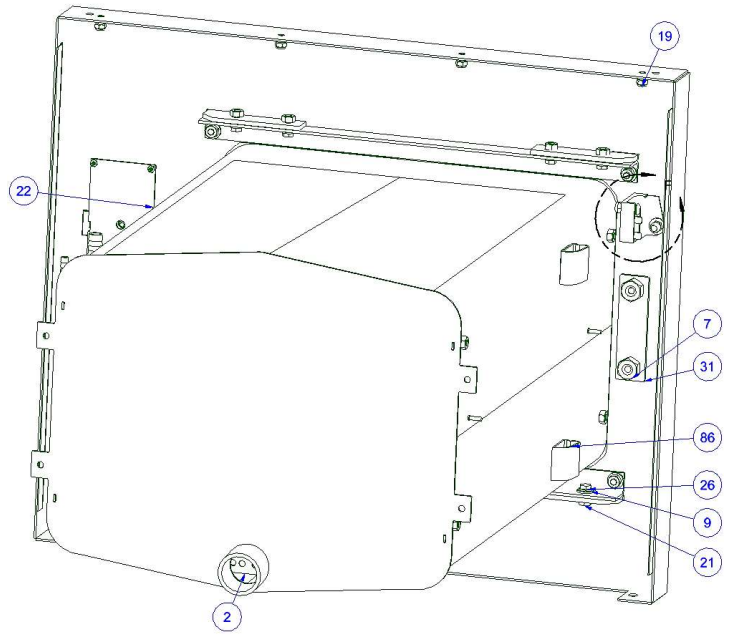
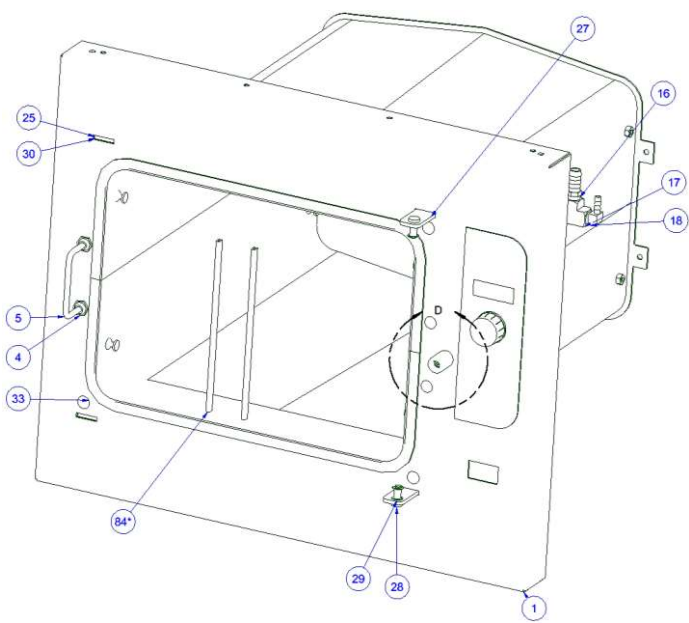


Description: 24CGA6.2S General Body Assembly 1



Item	QTY	Part No.	Description
1	1	KE004137	BASE WELDMENT ASSEMBLY
6	1	KE004146	CAVITY, BACK, WELD ASSY; GEMINI 6
7	2	KE004143-1	BODY ASSY, HL/ HR, MC, GEMINI 6.2, EASY TIMER
8	1	KE004182	PANEL, LOWER FRONT, ASSEMBLY
9	1	1089081	PANEL, TOP, WELDMENT GEMINI 6
10	1	113304	PANEL, BACK GEMINI 6
11	2	KE604578	INSULATION REAR WALL
13	1	1072731	PNL;ASY;RIGHT SIDE;TOP
14	1	107272	PNL. ASY, RIGHT SIDE, BOTTOM HALF
15	1	1060431	PNL;SIDE;LEFT;ASY
24	2	KE604449	LABEL, ON/ OFF
25	2	19993	SWITCH, ROCKER, DPDT, ON/OFF 15A, 125V
26	1	KE604706-7	LABEL, MODEL 24CGA6.2, EASYTIMER
27	1	105901-1	NAMEPLATE CLEVELAND LOGO
28	4	41423	RACK ASSEMBLY, PAN 20"

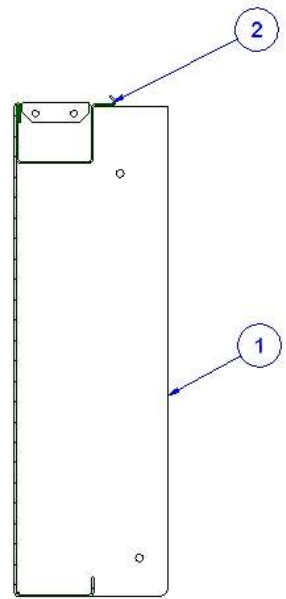
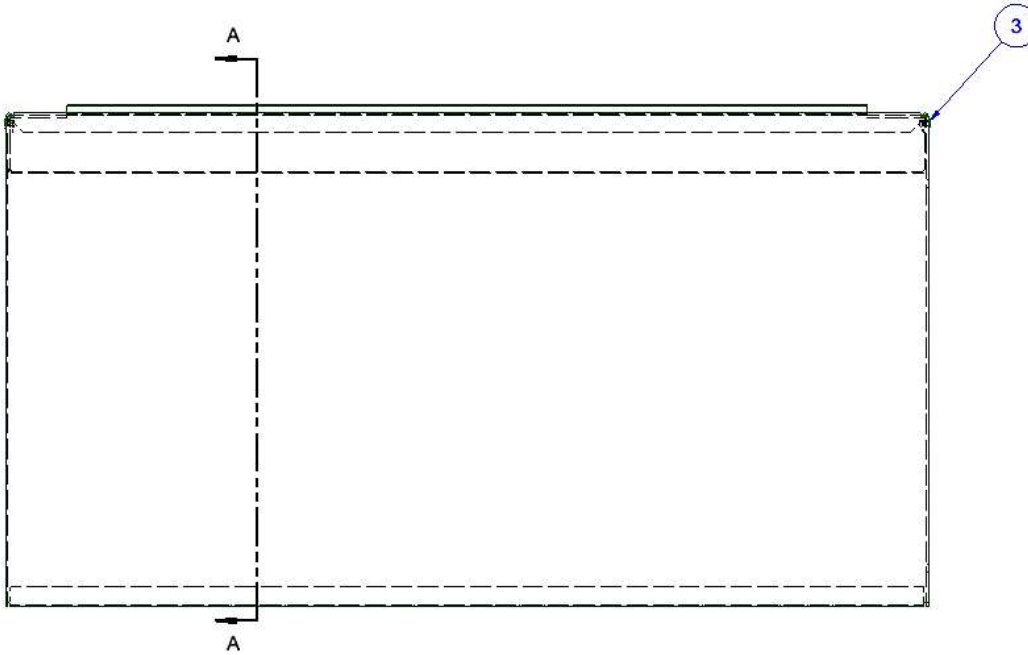
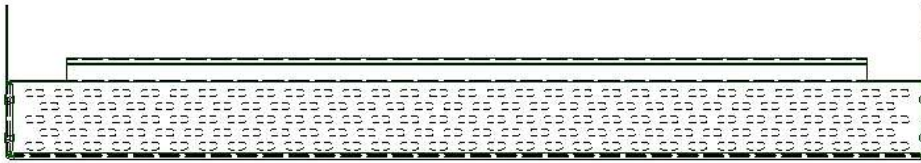
Assembly Number: KE004143-1
Description: Body Assembly, HL/HR



Item	QTY	Part NO.	Description
1	1	KE004144-1	CAVITY WELD ASSY; GEMINI 6, EASYTIMER
2	1	69298	SCREEN;DRAIN COMPARTMENT (STAINLESS)
3	1	14677	NUT, ACORN, 1/4-20, SST
4	4	14695	NUT, DOOR CATCH MOUNTING
5	2	104046	CATCH, DOOR
6	4	23149	WASHER, NYLON, TYPE 6/6
7	4	14649	NUT, HEX, 1/2-13, ZINC PLTD
8	15	23116	WASHER, FLAT, .281 ID x.625 OD x .065 THK, SST
9	9	23105	WASHER, LOCK, 1/4" KATLINK STYLE, SST
10	2	195552	SPACER,1/4" I.D. X 1/2 O.D. X 0.688 LG.
11	2	104009	STEAM SUPPLY
12	2	104082	STEAM INJECTOR
13	2	104232	WASHER, FLAT, .640IDx.032x 1.187 OD S/S
14	2	104081	NUT, JAM 5/8-18, BRASS
15	1	05236	ELBOW, 1/4 X 90, BRASS
16	2	104048	FTG;HOSE;BARB;1/2Hx1/4 NPT
17	1	20199	TEE, 1/4", BRASS
18	1	105786	FTG, HOSE BARB, 1/4Hx1/4MPT, 90°, BRASS
19	4	14672	NUT, HEX, 10-32, ELASTIC LOCK, ZINC PLTD
20	1	104193	INSUL., BODY, SC 5, HL/HR
21	13	14618	NUT, HEX, 1/4-20, STAINLESS STEEL
22	1	104409	CLOSURE, THERMAL SWITCH, OPENING, 1-1/2"
23	1	23136	WASHER, FLAT, 3/8"ID, 7/8"OD, 1/16"THK, SST
24	4	KE604471	ROUND PLUG; 9/16 OD; 1/2 HOLE
25	4	KE604468	HINGE, DOOR, BLANK
26	8	19170	SCREW, HEX HD, 1/4-20x5/8, SST
27	2	KE604469	HINGE, DOOR
28	2	104077	PIN, HINGE
29	4	104062	RING, EXT, RETAINING, SST
30	2	KE604467	HINGE, ANGLE
31	2	KE604472	BUMPER PLATE ADAPTOR
33	4	108644	SCREW, CARRIAGE, 1/4-20x1/2, SST (RND HEAD, SQ NECK)
35	1	KE604518	EASYTIMER OVERLAY
36	4	KE604587	NUT FOR MOUNTING EASY TIMER
37	1	KE004164	EASY TIMER ASSEMBLY
38	4	KE604586	EASYTIMER MOUNTING SPACER
39	1	KE604151	BRACKET; STEAM CUTOFF SWITCH; 10 PAN STEAMERS
39	1	KE604517	EASYTIMER PCB
40	1	108880	SWITCH, DOOR STEAM CUTOFF
41	1	109053	SCREW, 10-24 X 0.750 SST, PHILLIPS TRUSS HEAD
42	2	14692	NUT, HEX, 10-24, ELASTIC LOCK, ZINC PLTD, FASTENER
79	1	KE604638	0.250" PLASTIC PUSH IN RIVET
80	1	KE604635	1" HT RUBBER BUMPER
81	1	FA10245	SCREW FOR HR BUMPER
82	1	FA30076	#10 FLAT WASHER ZINC PLATED
83	1	FA20504-2	8-32 KEPS NUT ZC
84	1	115502-1	DOOR, OUTER ASSEMBLY, HL/HR
85	1	104101	DOOR ASSY., INNER, CONV, STM.
86	6	23432	CLIP, MOUNTING; WIRE/CABLE

Assembly Number: KE004182

Description: Panel Assembly, Lower Front

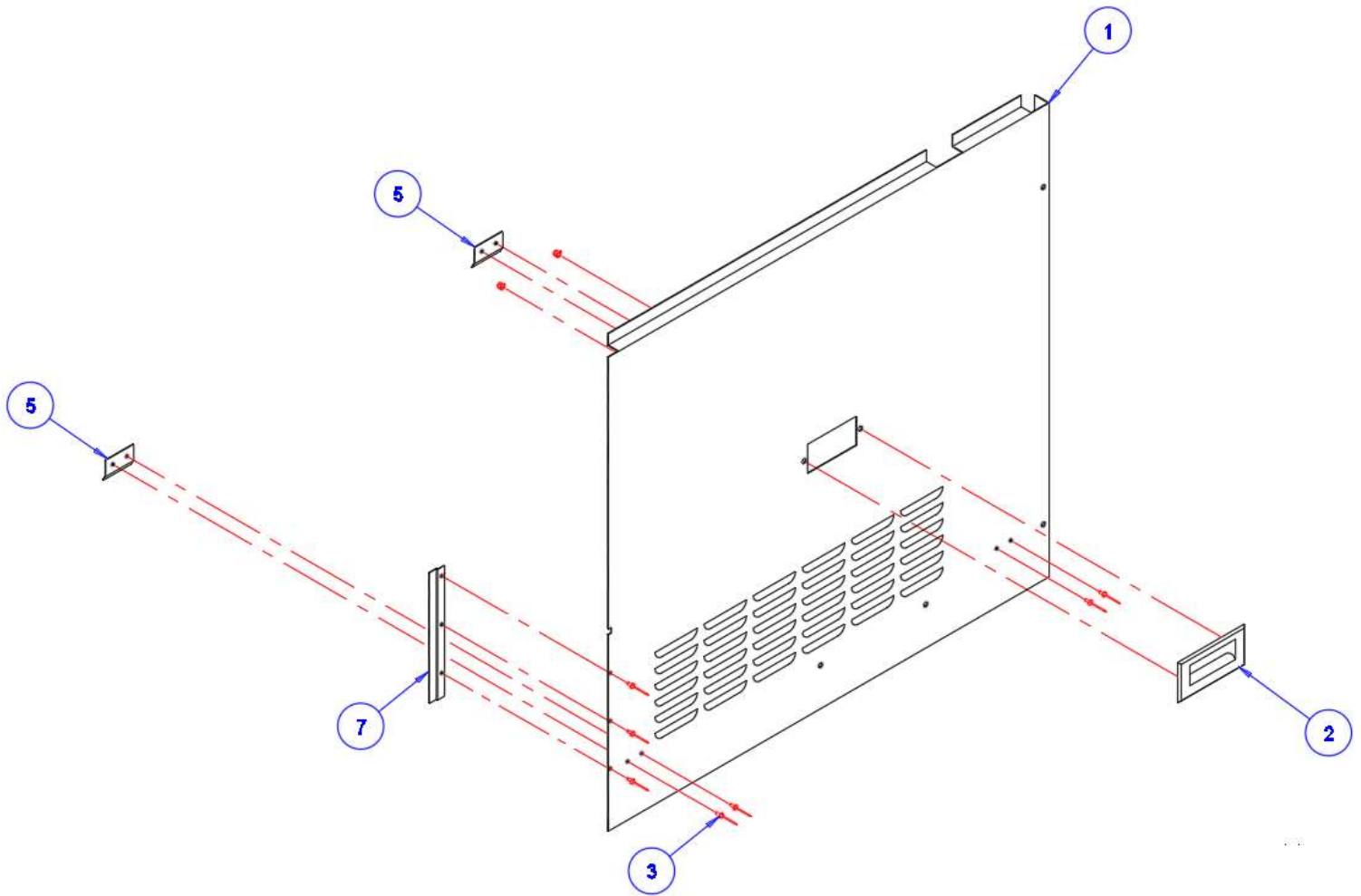


SECTION A-A

Item	QTY	Part No.	Description
1	1	11000115794	PANEL, LOWER FRONT, SC10
2	1	KE604575	TRAY, DRIP, SC 10, 2 IN WIDE
3	4	18357	RIVET, FLUSH BREAK, 0.125 DIA, 0.126/0.187 GRIP, SST

Assembly Number: 107272

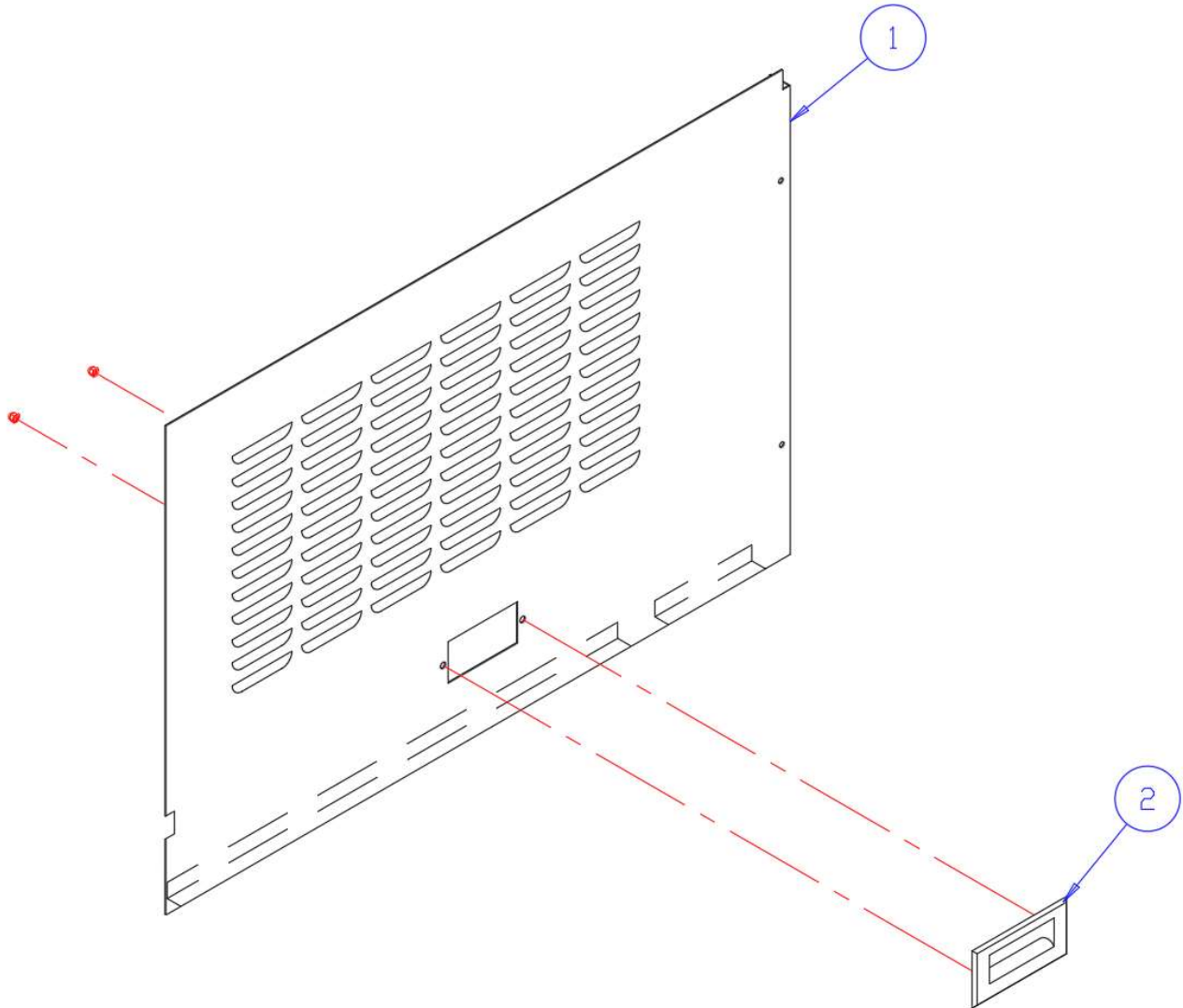
Description: Panel Assembly, Right Side, Bottom Half



Item	QTY	Part No.	Description
1	1	1071201	PANEL, R.S. WELD, BTM. HALF
2	1	08108	HANDLE, DOOR, W/OPEN END ACORN NUTS
3	7	18357	RIVET, FLUSH, 1/8 SST
5	2	106045	BRACKET, SIDE SUPPORT, SHORT
7	1	1061431	BRACKET, RETAINER

Assembly Number: 1072731

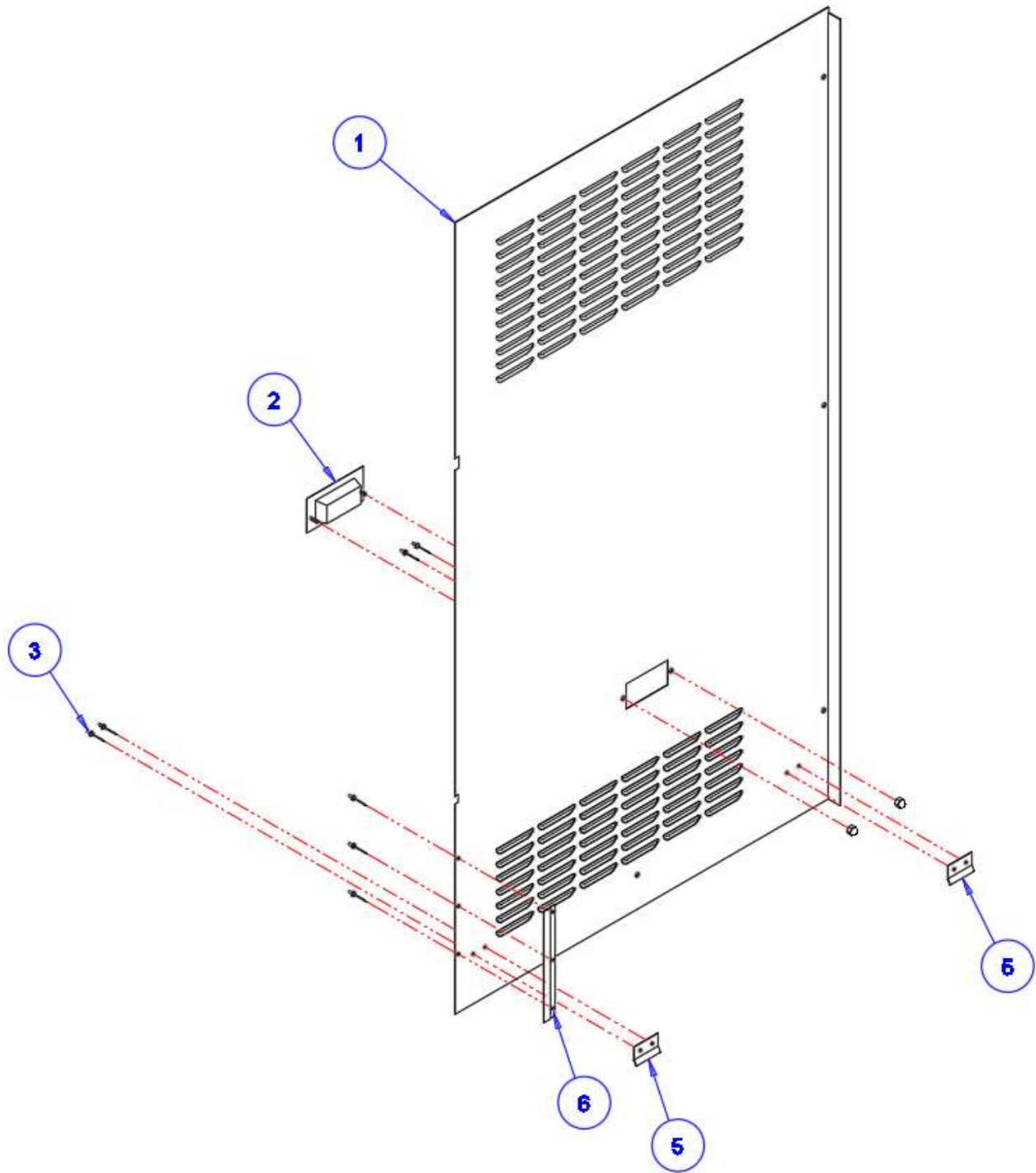
Description: Panel Assembly, Right Side, Top Half



Item	QTY	Part No.	Description
1	1	1071211	PANEL, SIDE, RIGHT, TOP HALF, GEMINI 6 SHORT
2	1	08108	HANDLE, DOOR W/10-32 ACORN NUTS

Assembly Number: 1060431

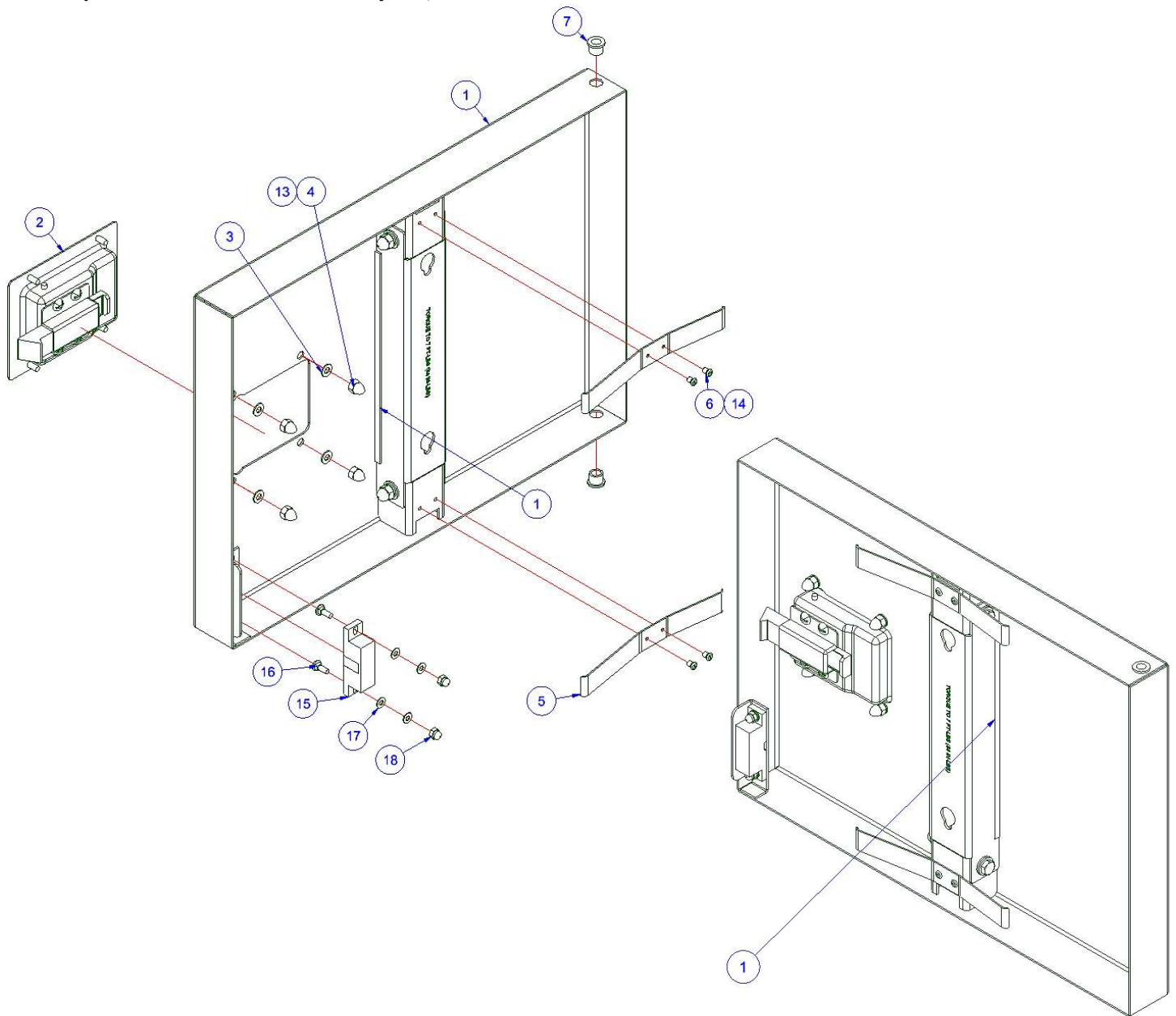
Description: Panel Assembly, Left Side



Item	QTY	Part No.	Description
1	1	1056691	PANEL, SIDE, LEFT, S/C 6 SHORT
2	1	08108	HANDLE, DOOR, W/ACORN NUTS
3	7	18357	RIVET, FLUSH, 1/8, SST
5	2	106045	BRACKET, SIDE SUPPORT, SHORT
6	1	1061431	BRACKET, RETAINER

Assembly Number: 115502-1

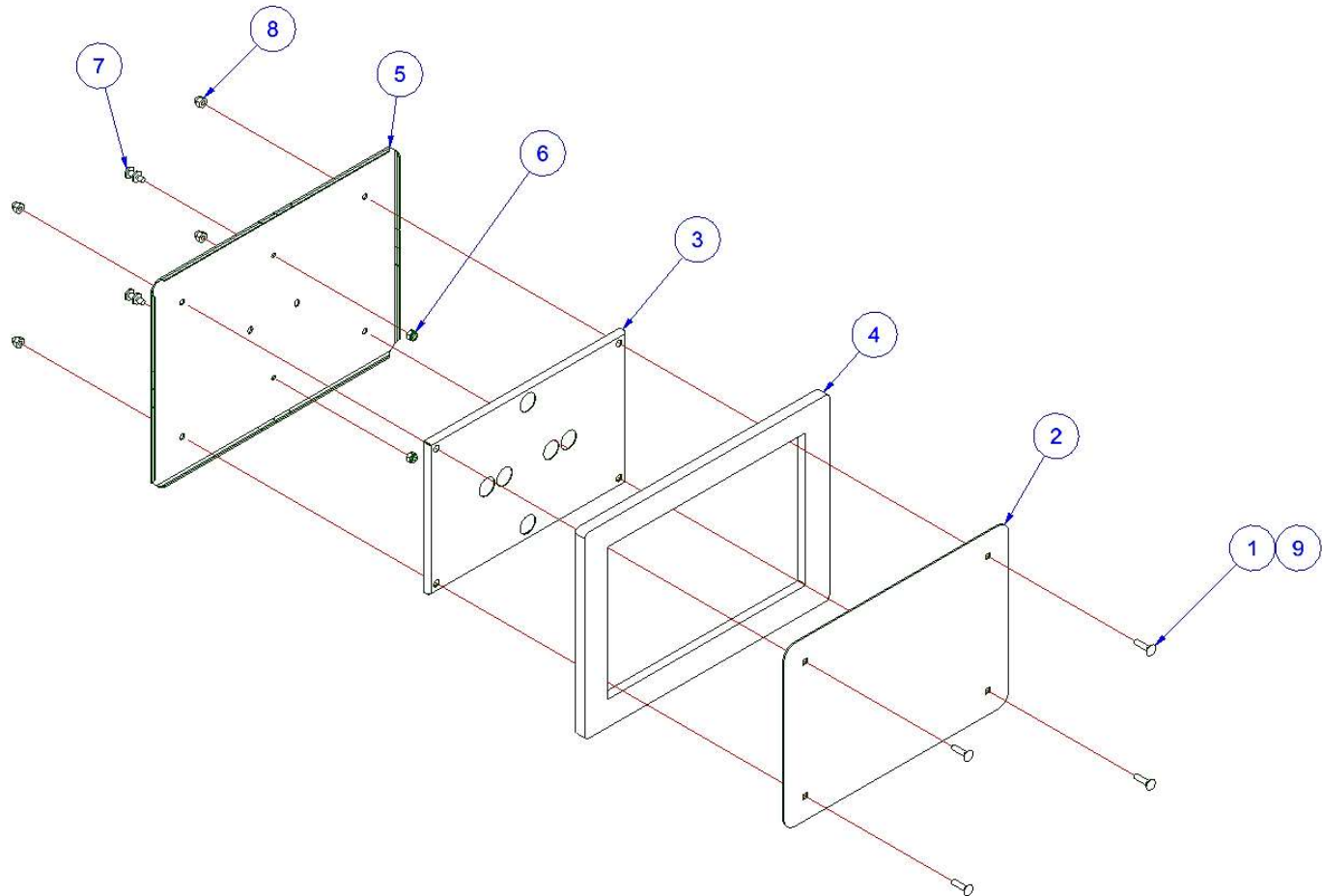
Description: Door, Outer Assembly, HL/HR



Item	QTY	P/N	Description
1	1	1035274-1	OUTER DOOR, WELDMENT, HL/HR
2	1	103643	LATCH, DOOR-PADDLE TYPE
3	4	101655	WASHER, FLAT, #10, SST
4	4	11000115589	NUT, #10-24, HIGH CROWN ACORN, SST
5	2	102228	SPRING, DOOR, 3/5 PAN
6	4	18357	RIVET, FLUSH BREAK, 0.125 DIA, 0.126/0.187 GRIP, SST
7	2	103641	BUSHING, DOOR HINGE
13	A/R	104146	LOCTITE #222 LOW STRENGTH
14	A/R	00933	SEALANT, RTV, CLEAR
15	1	108879	MAGNET, DOOR STEAM CUTOFF
16	2	111592	SCREW, 8-32 X 1/2 CARRIAGE HEAD, SST
17	4	101336	WASHER, FLAT, #8, SST
18	2	109164	NUT, HEX, ACORN, 8-32, SST, W/ THREAD LOC

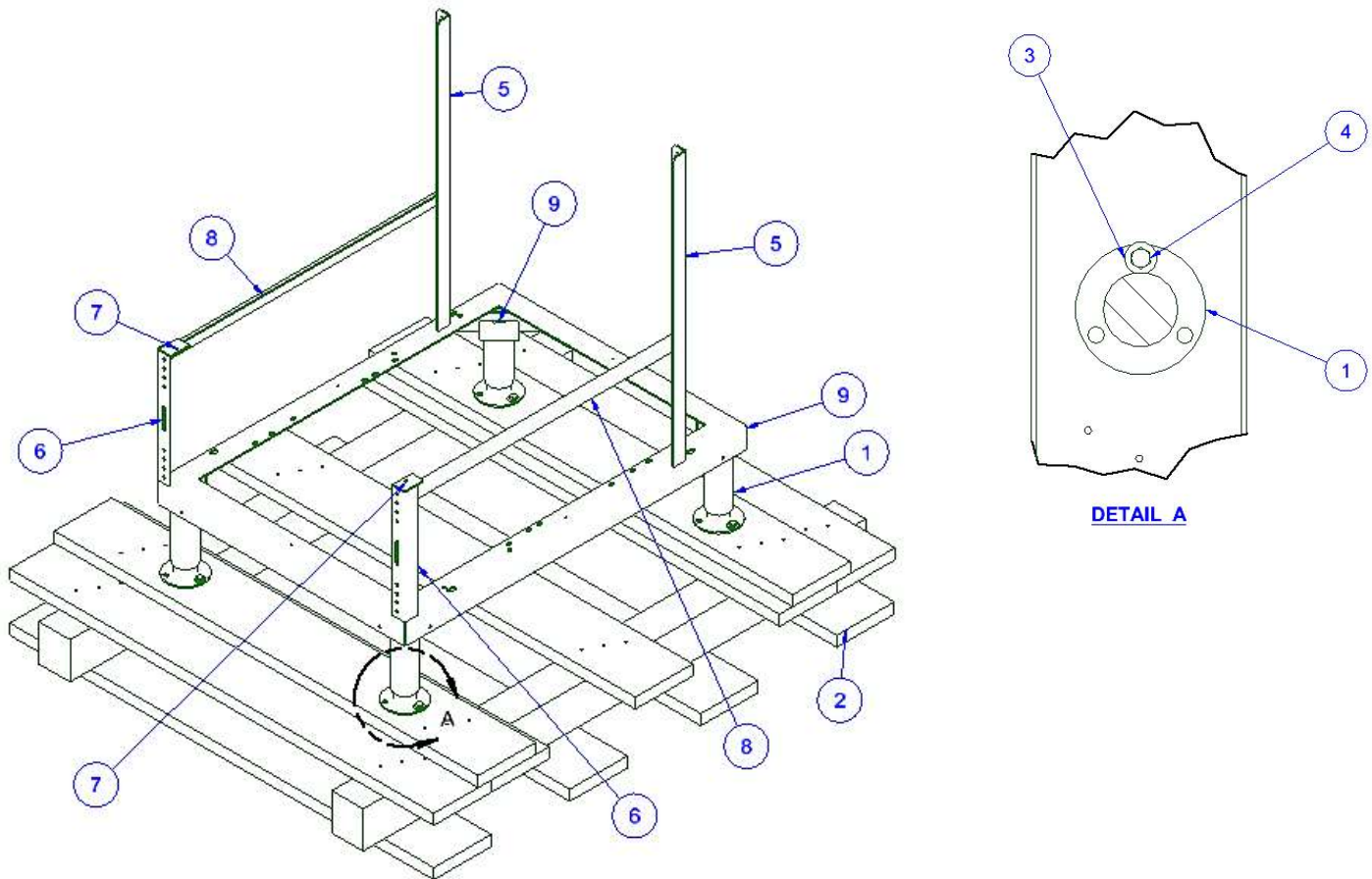
Assembly Number: 104101

Description: Door, Inner Assembly, HL/HR



Item	QTY	P/N	Description
1	4	104719	SCREW, CARRIAGE, 1/4-20X1, SST
2	1	66595	PLATE, GASKET RETAINER
3	1	66214	PLATE, INNER DOOR GASKET
4	1	07138	GASKET, DOOR, CONV. STMR., SC
5	1	04171	DOOR, INNER, CONVECTION STEAMER
6	2	14665	NUT, HEX, 1/4-20 LOCK, SST (NYLON INSERT)
7	2	19923	STUD, INNER DOOR MOUNTING
8	4	146771	NUT, ACORN, THRD LOCK, 1/4-20, SST
9	A/R	00933	SEALANT; RTV; CLEAR

Assembly Number: KE004137
Description: Base Weldment Assembly



Item	QTY	Part NO.	Description
1	4	06162	FOOT, 6.00" ADJUSTABLE, FLANGED/TRI-BOLT HOLE PATTERN
2	1	41915	PALLET, SHIPPING, 1050MM BASE
3	4	23136	WASHER, FLAT, 3/8"ID, 7/8"OD, 1/16"THK, SST
4	4	108203	SCREW; HEX HD LAG; ZINC PLTD; 5/16 X 1-1/4
5	2	KE604483	LEG, REAR
6	2	KE604484	LEG, FRONT
7	2	KE604485	FRONT BRACE
8	2	KE604486	SIDE BRACE
9	1	KE004140	FRAME ASS'Y LOWER SUPPORT

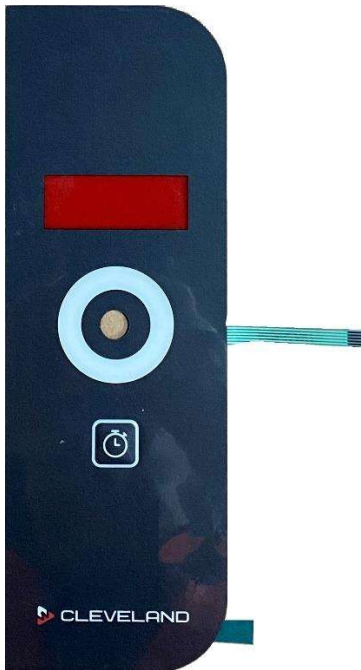
Assembly Number: KE004164
Description: Easy Timer Assembly
Associated Wiring Harness: WHKE004231



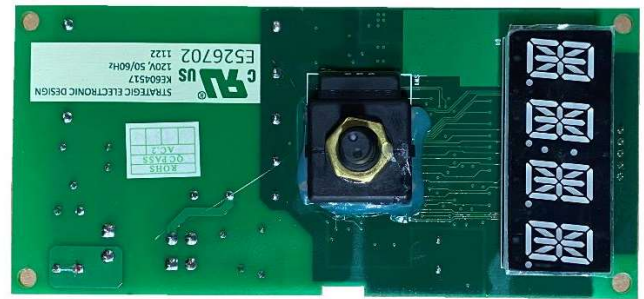
KE604176 EasyTimer Control/Timer Knob



KE604710 EasyTimer Plastic Insert

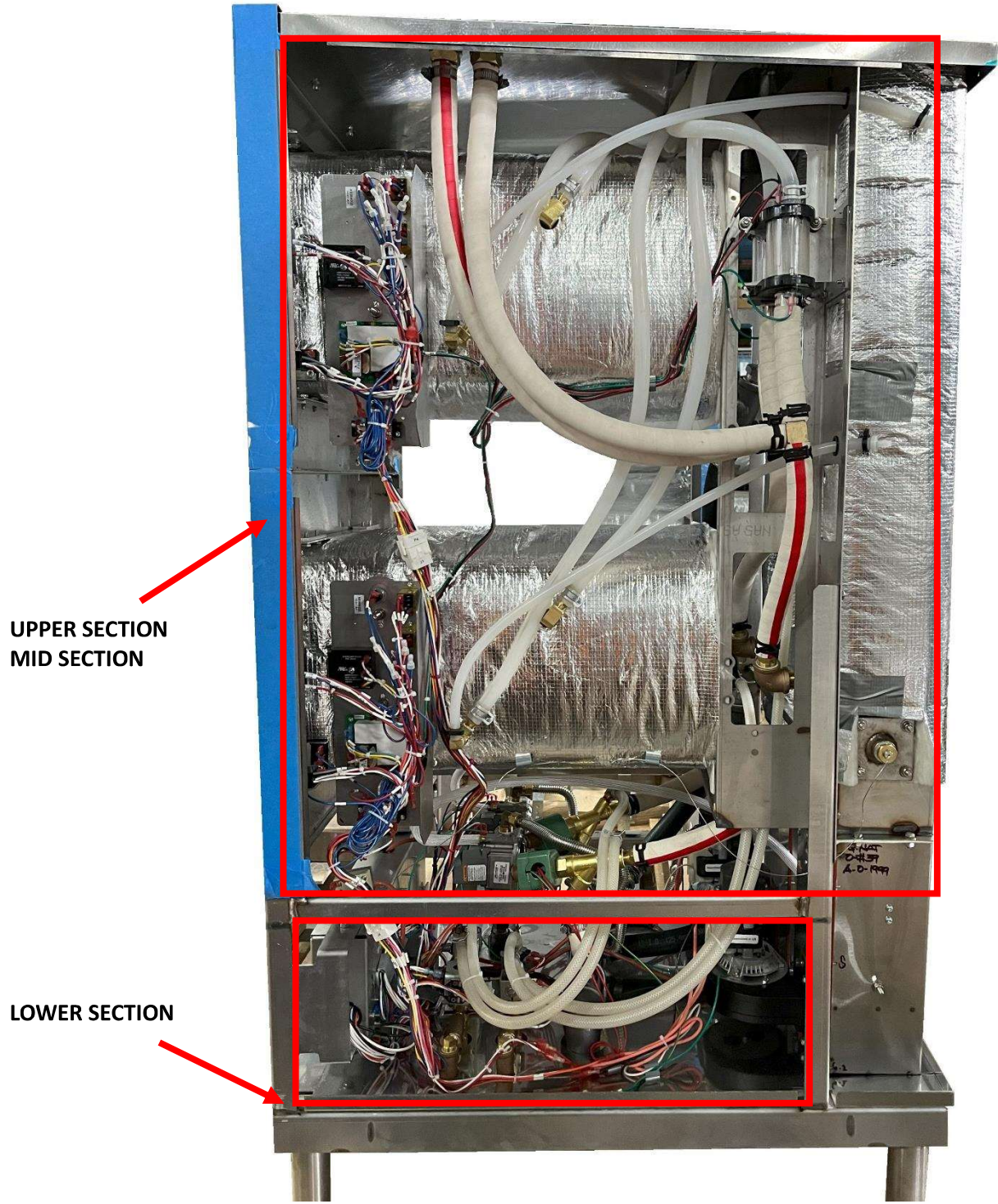


KE604518 EasyTimer Overlay

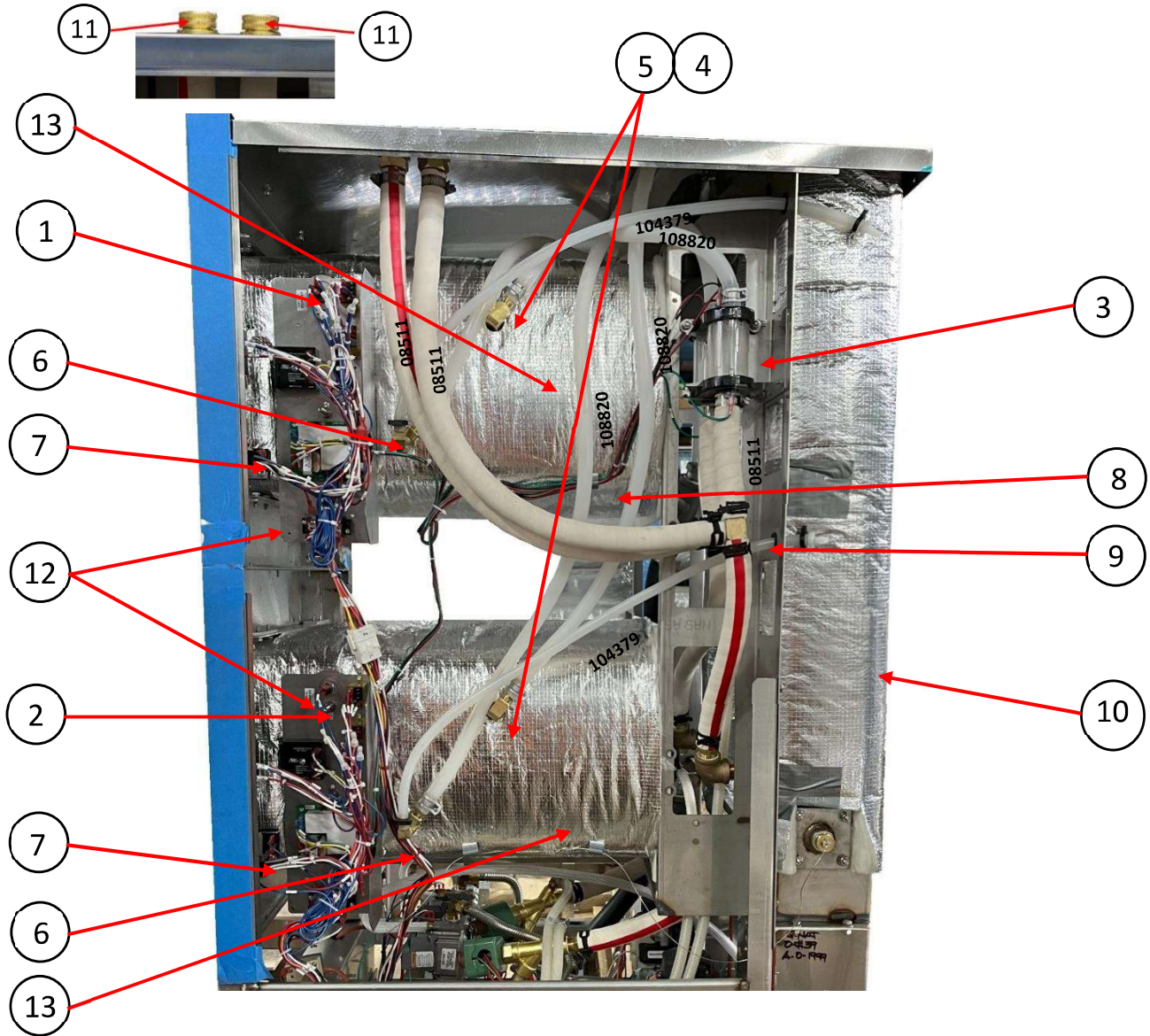


KE604517 EasyTimer PCB

Description: 24CGA6.2S Right Side



Description: 24CGA6.2S Right Side



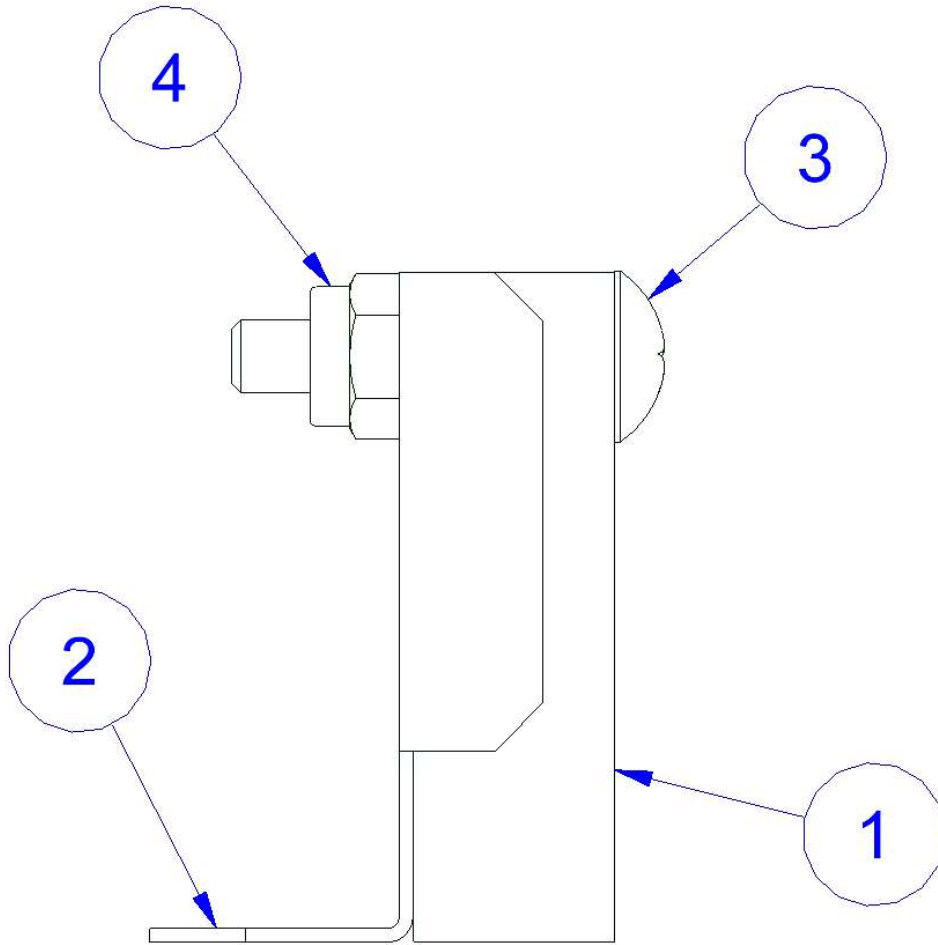
Item	QTY	P/N	Description
1	2	19972	SWITCH, THERMAL CLOSE 193 DEG. F
2	2	111780	WASHER, RETAINER, INSULATION
3	2	KE004053	ASSY; LEVEL PROBE GEMINI 10.2
4	2	05236	ELBOW, 1/4 X 90, BRASS
5	4	104048	HOSE BARB 1/2"H X 1/4 NPT
6	2	1070591	BREATHER/SPRAY NOZZLE ASSEMBLY
7	2	KE003930	ASSEMBLY, DOOR STEAM CUTOFF SWITCH, 10 PAN STEAMERS
8	2	234321	CLIP, MOUNTING; WIRE/CABLE
9	1	11000115769	TEE, HOSE BARB, 3/4, BRASS
10	1	1096081	GENERATOR FINAL ASSEMBLY, NAT
	2	1096082	GENERATOR FINAL ASSEMBLY, LP
11	1	109641	PORT ASSY, DESCALER
12	2	KE004223	ASSY; COMPONENT PANEL GEMINI 10.2
13	2	104061	INSULATION, BODY

Hoses & Corresponding Clamps

Hose	Description	Clamp	Description
08511	HOSE, WHITE, EPDM, 3/4" ID	107312	CLAMP, HOSE, METAL TENSION BAND, 1-1/8" OD, BLACK
108820	HOSE, SILICON, 1/2" ID x 1/8" WALL	1073122	CLAMP, HOSE, METAL TENSION BAND, 3/4" OD, SILVER
104379	HOSE, SILICON, RUBBER, 1/4" ID	104383	CLAMP, HOSE, NYLON, 1/2"

Assembly Number: KE003930

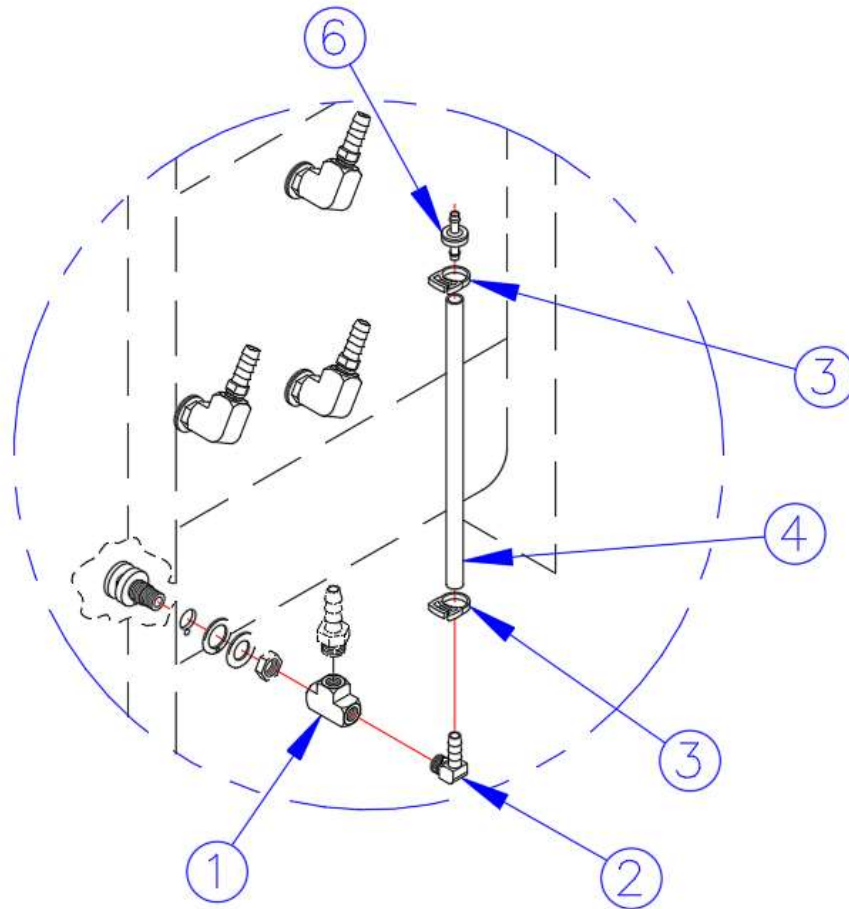
Description: Door Steam CutOff Switch Assembly



Item	QTY	Part No.	Description
1	1	108880	SWITCH, DOOR STEAM CUTOFF
2	1	KE604151	BRACKET; STEAM CUTOFF SWITCH; 10 PAN STEAMERS
3	1	KE604172	SCREW, 10-24 X 1.00 SST, PHILLIPS TRUSS HEAD
4	1	104616	NUT, HEX, LOCK, 10-24, SST, NYLON INSERT

Assembly Number: 1070591

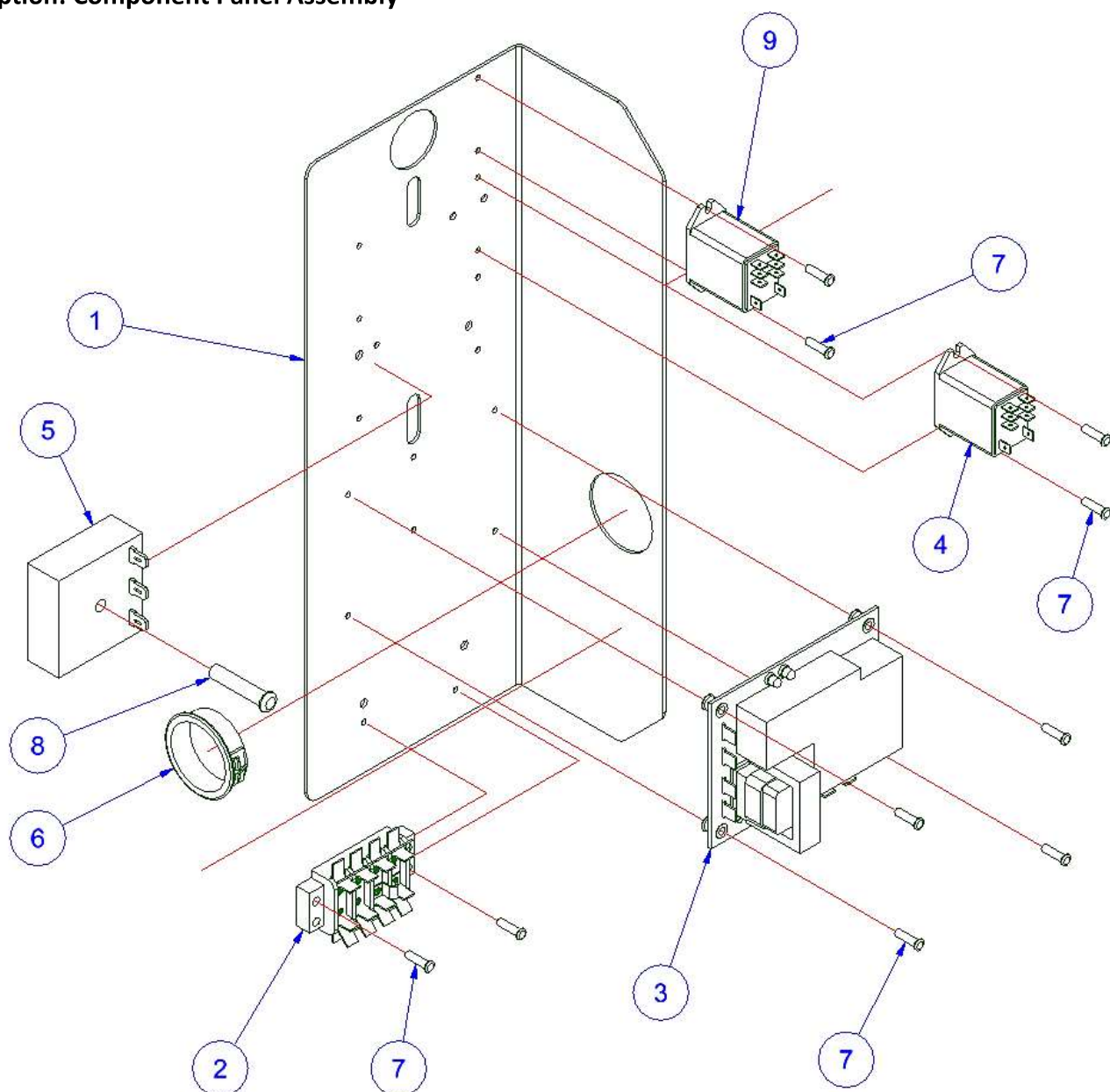
Description: Breather/Spray Nozzle Assembly



Item	QTY	Part No.	Description
1	1	20199	TEE, 1/4, BRASS
2	1	105786	FITTING, HOSE BARB, 1/4 H x 1/4 MPT 90 DEG
3	2	104383	CLAMP, HOSE, NYLON
4	1	1043792600	HOSE, SILICONE, 1/4 x 26.000
6	1	107032	CHECK VALVE, PLASTIC DIAPHRAGM

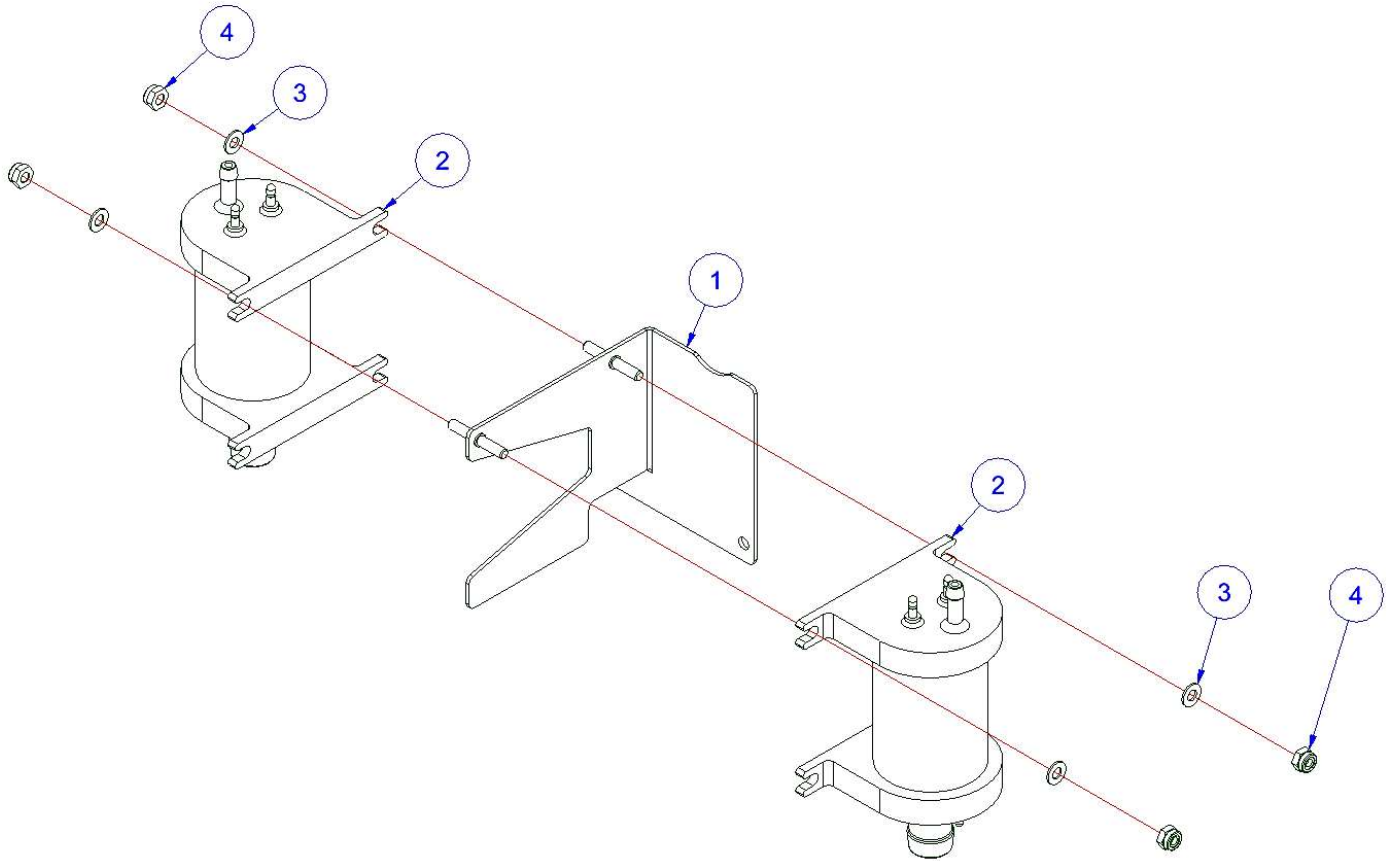
Assembly Number: KE004223

Description: Component Panel Assembly



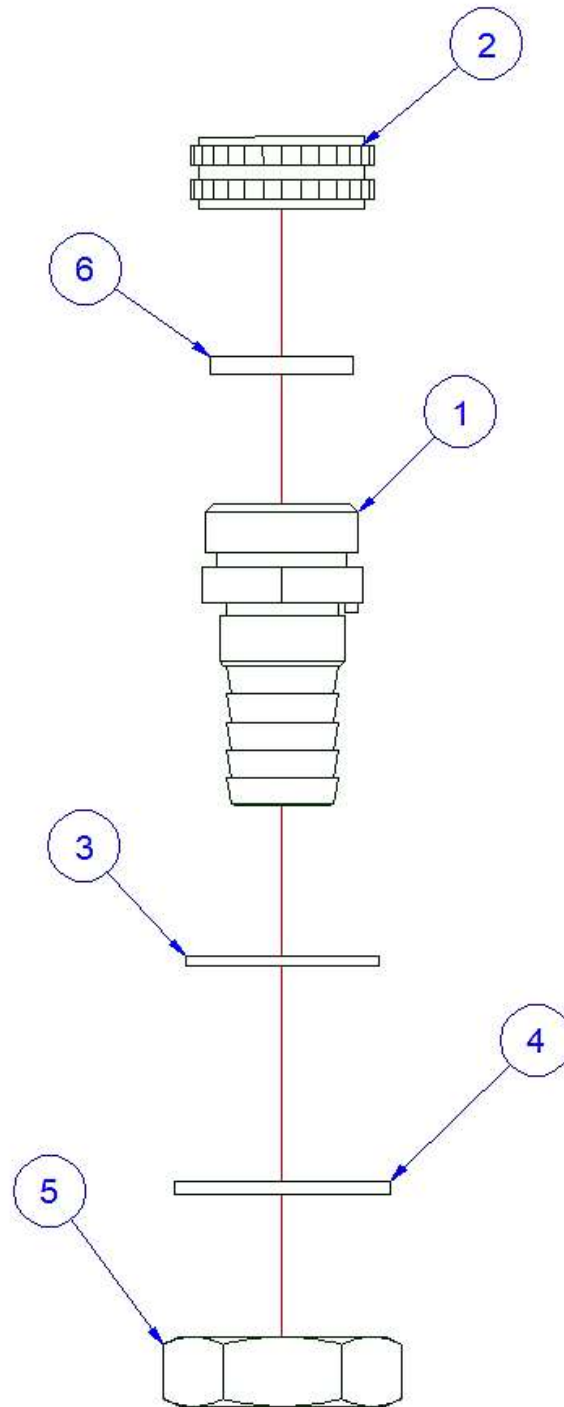
Item	QTY	Part No.	Description
1	1	KE604242	PANEL, ELECTRICAL COMPONENT, GEMINI
2	1	300154	TERMINAL BLOCK ASSEMBLY 4-POLE W/ 1 JUMPER
3	1	107241	BOARD, WATER LEVEL CONTROL
4	1	105966	RELAY, DPDT-W/MTG TABS
5	1	20478	TIMER, SOLID STATE INTERV 3 MINUTE
6	1	102581	BUSHING, SNAP-IN FOR 1 1/2 DIA HOLE
7	10	106127	SCREW, 6-32 X 1/2, TORX/PAN HD
8	1	106124	SCREW, TORX/SLOT #10-32 X 1-1/4 LG
9	1	108285	RELAY;DPDT W/MTG.TABS; 24V;50/60HZ;AC
10	2	23432	CLIP, MOUNTING; WIRE/CABLE
11	1	WHKE004223-1	HARNESS, COMPONENT PANEL

Assembly Number: KE004053
Description: Level Probe Assembly



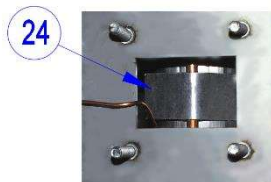
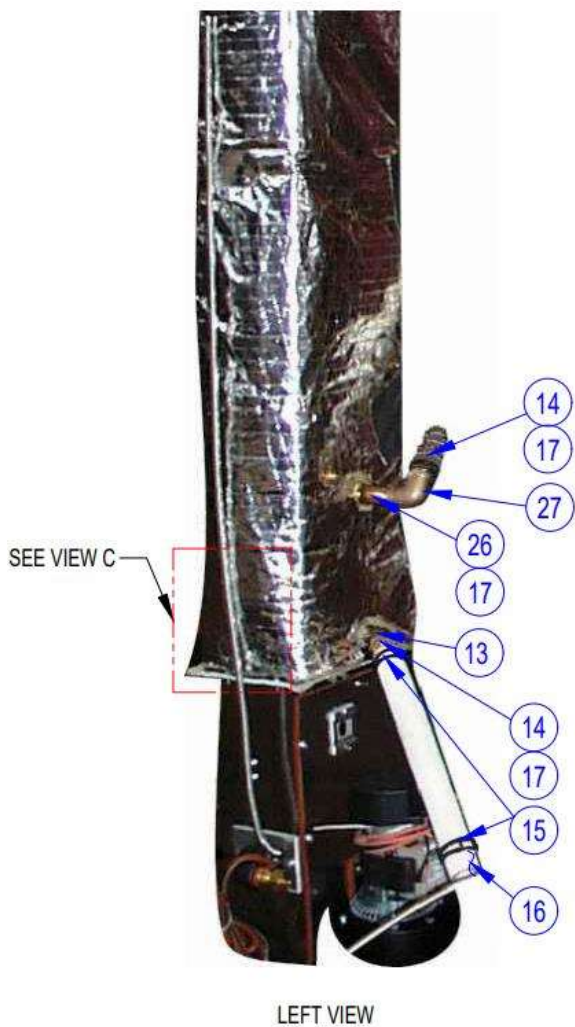
Item	QTY	Part No.	Description
1	1	KE004055	WELDMENT; LEVEL PROBE BRACKET; GEMINI
2	2	107239	HOUSING, PROBE, PLASTIC, LEVEL CONTROL
3	4	101655	WASHER, FLAT, #10, SST
4	4	104616	NUT, HEX, LOCK, 10-24, SST, NYLON INSERT

Assembly Number: 109641
Description: Descaler Port Assembly

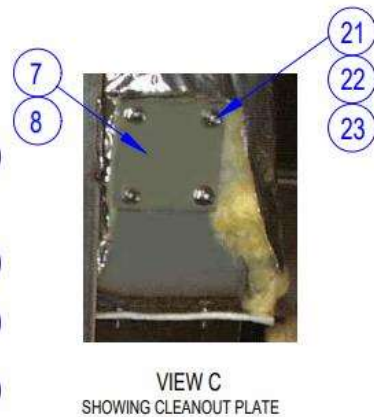
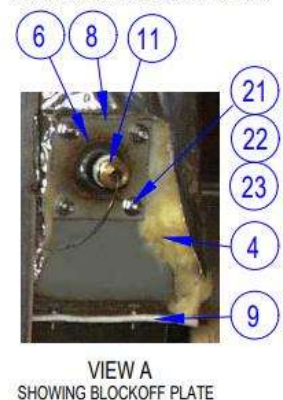
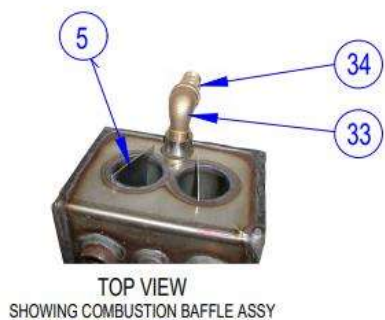
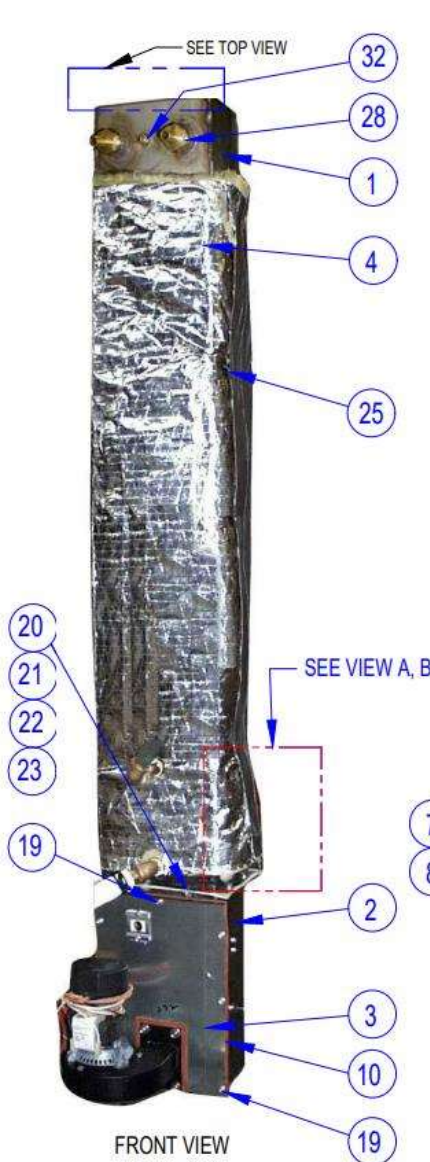


Item	QTY	P/N	Description
1	1	109642	FTG., DESCALER PORT
2	1	108031	CAP, HOSE NUT 3/4" HOSE THD.
3	1	109646	GASKET, DESCALER PORT
4	1	109645	WASHER, FLAT 0.890 ID X 1.500 OD X 0.090 THK, SST
5	1	109644	NUT, HEX JAM 7/8-14, BRASS
6	1	108034	WASHER, 3/4" HOSE (DESCALER PORT)

Assembly Number: 1096081 (NAT) & 1096082 (LP)
Description: Final Generator Assembly, NAT & LP



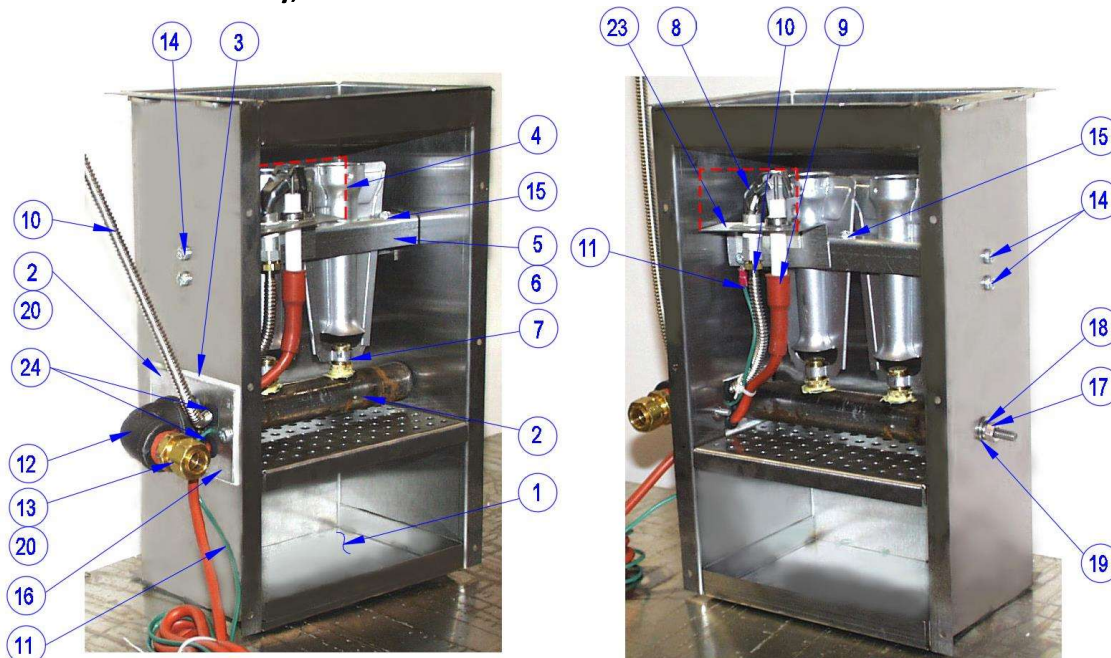
VIEW B
 SHOWING HEATER/BLOCKOFF LOCATION
 WITH ITEMS 6, 8, 11, 21, 22, 23, & 25
 REMOVED FOR CLARITY



Item	QTY	P/N	Description
1	1	108015	BOILER ASSY WELDMENT
2	1	1096091	BURNER BOX, ASSY, NAT
	1	1096092	BURNER BOX, ASSY, LP
3	1	109610	COVER, ASSY, BURNER BOX
4	1	108954	INSULATION, GENERATOR GEMINI
5	2	11000115711	7/8 BAFFLE ASSY, COMBUST, VERTICAL BOILER, 24CGA10
6	1	109002	ASSY, BLOCK OFF PLATE WELDMENT, HI-LIMIT
7	1	104614	PLATE, GENERATOR CLEANOUT
8	2	07128	GASKET, HEATER/BLOCKOFF PLATE
9	1	108898	GASKET, BURNER BOX GENERATOR
10	1	107947	GASKET, COVER BURNER BOX
11	1	02623	BUSHING, HEX, 1/2 X 1/4 BRASS
13	1	111245	ELBOW, STREET, 45 DEG X 3/4, BRASS
14	2	06240	FITTING, HOSE 3/4 H X 3/4 NPT
15	2	107312	CLAMP, HOSE, 1-1/8 OD, METAL TENSION BAND
16	1	08511	HOSE, WHITE EPLDM, 3/4 ID X 13.000 LG
17	A/R	00934	SEALANT, PIPE DOPE
19	7	109706	SCREW, 8-32, PHILLIPS PAN HD, 1/2 LG, SST
20	8	19170	SCREW, HEX HD, 1/4-20 X 0.6125 LG
21	16	14618	NUT, 1/4-20, HEX, 300 SST FULL-FINISHED
22	16	23105	WASHER, LOCK MEDIUM PATT 1/4 KATLINK STYLE, SST
23	16	23116	WASHER, FLAT, 1/4 ID X 0.500 OD X 0.065 THK
24	1	109464	CLAMP WELD, HIGH LIMIT RETAINING, SMALL
25	4	101953	CLIP, INSULATION RETAINER
26	1	14431	NIPPLE, 0.75 NPT X 2.00SCH
27	1	05260	ELBOW 90 DEG 3/4", BRASS
28	2	06235	FITTING, HOSE BARB 1/2 X 3/4 MPT BR.
32	1	108207	FTG, HOSE BARB, 1/2H x 3/8NPT
33	1	05253	ELBOW, STREET, 1/2 NPT, BRASS
34	1	105575	VALVE, RELIEF, 5 PSI

Assembly Number: 1096091 (NAT) & 1096092 (LP)

Description: Burner Box Assembly, NAT & LP

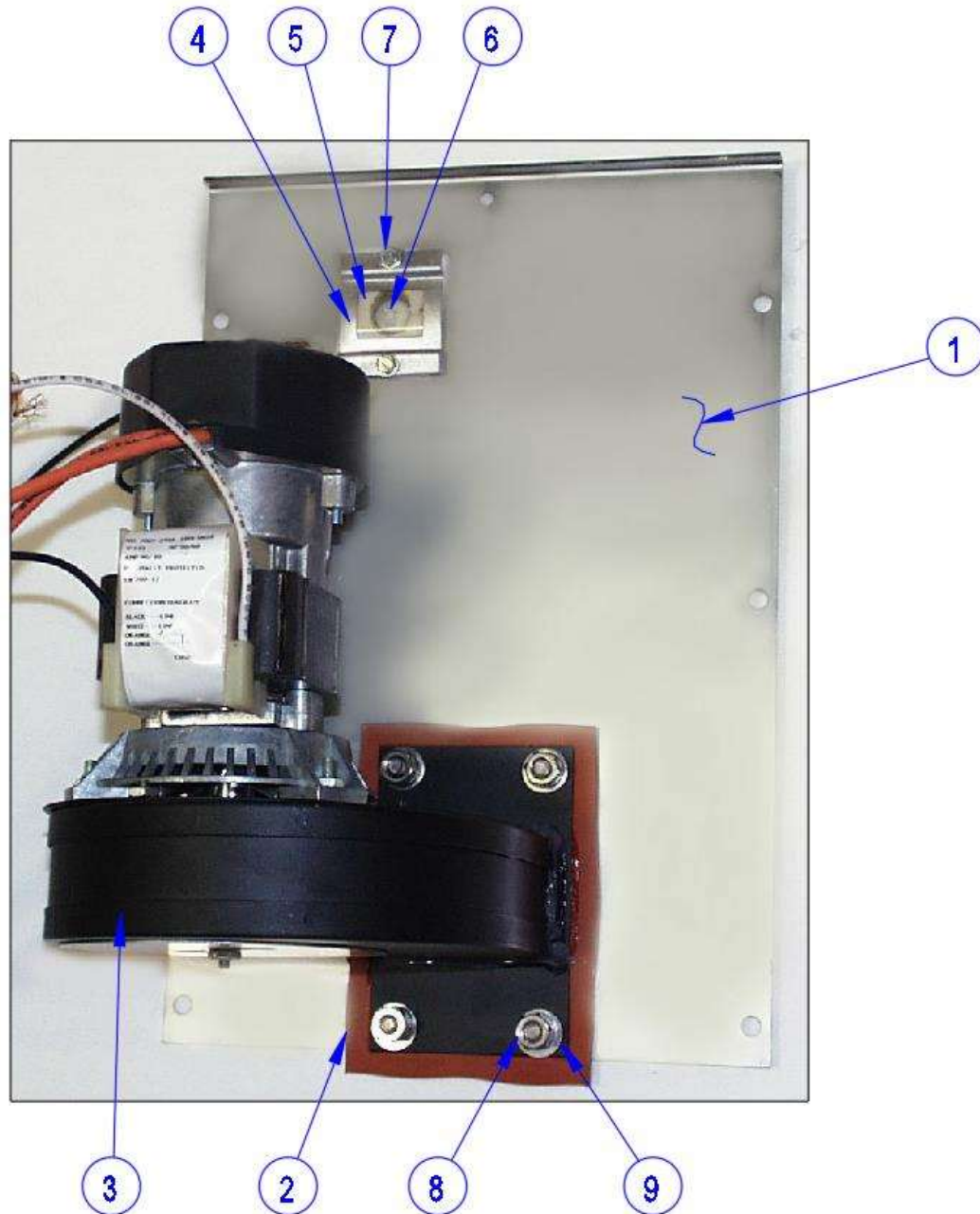


Item	QTY	P/N	Description
1	1	108840	BACK, BURNER ASS'Y, WELDMENT
2	1	107922	MANIFOLD, ASS'Y, WELDMENT, GAS BOILER
3	1	105940	GASKET, MANIFOLD VERTICAL BOILER
4	2	105781	BURNER, INSHOT, 30,000 BTU VERTICAL BOILER
5	1	107920	CLAMP, BURNER GEMINI 6
6	1	107919	BRACKET, BURNER MOUNTING GEMINI 6
7	-	-	SEE ORIFICE CHART.
8	1	1057842	PILOT ASS'Y, NAT
	1	1057841	PILOT ASS'Y, LP
9	1	108979	CABLE, IGNITOR ASS'Y
10	1	108929	GAS LINE, PILOT GEMINI
11	1	1061455000	WIRE ASS'Y GREEN, 1 RING, 1 BARE 50.000
12	1	05271	ELBOW 90 DEG 3/4 X 1/2 BLACK REDUCING
13	1	06204	FTG, COMP, 1/2 T X 1/2 MPT
14	4	106123	SCREW, 10-32 X 1/2, TORX/PAN, THRD FORMING, ZN
15	3	101879	SCREW, HEX WASHER HD, THD TYPE F 6-32 X 1/2, ZN
16	2	19287	SCREW, PAN HD, 10-24 X 1/2, SST
17	1	14618	NUT, 1/4-20, HEX, 300 SST, FULL-FINISHED
18	1	23105	WASHER, LOCK, MEDIUM PATT 1/4 KATLINK STYLE, SST
19	1	23116	WASHER, FLAT, 1/4 ID X 0.500 OD X 0.065 THK
20	A/R	00934	SEALANT, PIPE DOPE
23	1	106412	BAFFLE, PILOT
24	2	106129	GROMMET, RUBBER
25	1	300261	TERMINAL, SLIP-ON, 0.032 X 0.187, 22-18AWG, PART. INSUL

ORIFICE CHART NAT GAS (REF)				
Altitude	P/N	QTY	Description	Hole Size
0-1999'	110939	2	ORIFICE, #39 DMS, VER GEN	#39(0.100±0.001)
2000-2999'	110940	2	ORIFICE, #40 DMS, VER GEN	#40(0.098±0.001)
3000-4999'	110941	2	ORIFICE, #41 DMS, VER GEN	#41(0.096±0.001)
5000-6999'	110942	2	ORIFICE, #42 DMS, VER GEN	#42(0.094±0.001)
7000-8999'	110943	2	ORIFICE, #43 DMS, VER GEN	#43(0.089±0.001)
9000-11000'	110944	2	ORIFICE, #44 DMS, VER GEN	#44(0.086±0.001)
ORIFICE CHART LP GAS (REF)				
Altitude	P/N	QTY	Description	Hole Size
0-1999'	110953	2	ORIFICE, #53 DMS, VER GEN	#53 (0.060±0.001)
2000-7999'	110954	2	ORIFICE, #54 DMS, VER GEN	#54 (0.055±0.001)
8000-11000'	110955	2	ORIFICE, #55 DMS, VER GEN	#55 (0.052±0.001)

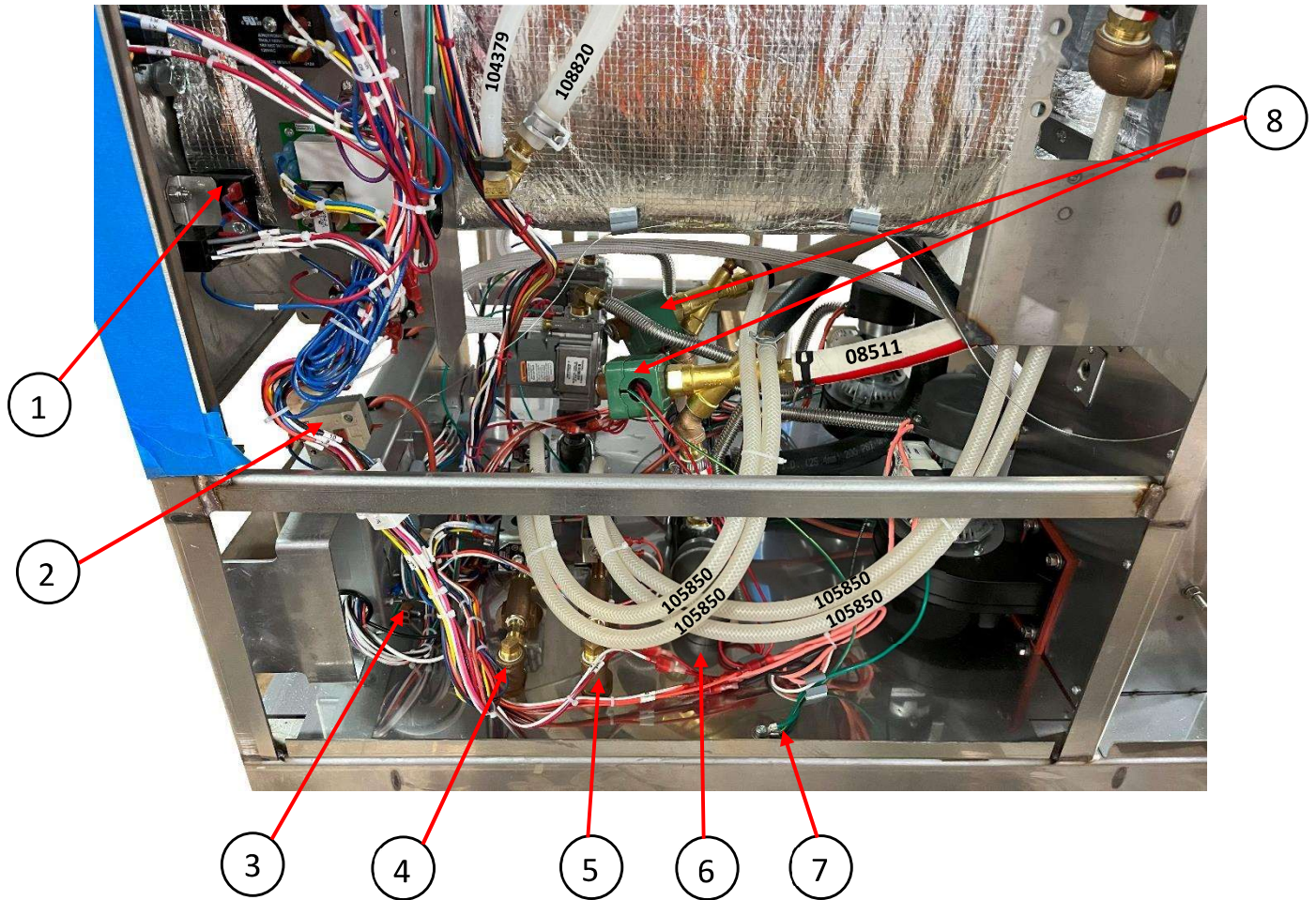
Assembly Number: 109610

Description: Burner Box Cover Assembly



Item	QTY	P/N	Description
1	1	107948	COVER ASS'Y, BURNER BOX WELDMENT GEMINI 6
2	1	107946	GASKET, FAN MOUNT GEMINI 6
3	1	110786	BLOWER ASS'Y, COMBUSTION FAN
4	1	1084632	FRAME, VIEWPORT, GAS S/C 10
5	1	1084631	GASKET, VIEWPORT, GAS S/C 10
6	1	108463	VIEWPORT, LENS
7	2	106754	SCREW, HEX WASHER HD, THD TYPE 6-32 x 3/8, ZINC
8	4	14665	NUT, HEX 1/4-20 LOCK, ELASTIC W/ NYLON INSR, SST
9	4	23116	WASHER, FLAT, 1/4 ID x 0.500 OD x 0.065 THK

Description: General Assembly 4



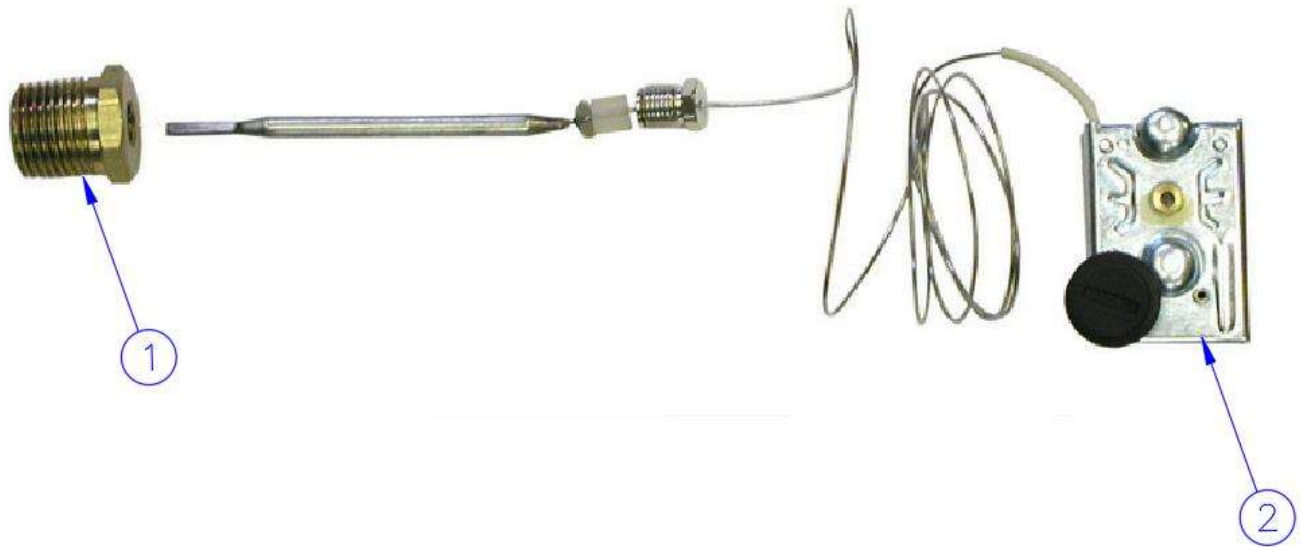
Item	QTY	P/N	Description
1	2	KE003930	ASSEMBLY, DOOR STEAM CUTOFF SWITCH, 10 PAN STEAMERS
2	2	108995	ASSEMBLY, RESET SWITCH
3	1	20304	LUG, GROUND
4	1	110527	VALVE ASSY, WATER INLET, GEMINI 10
5	1	1105271	VALVE ASSY, WATER INLET, GEMINI 10; BOILER FILL,
6	1	KE004050	ASSY; MANIFOLD; DRAIN
7	1	KE004065	GROUND WIRE, IGNITION
8	2	KE004051	ASSY; DRAIN VALVE; SOLENOID; GEMINI 10.2

Hoses & Corresponding Clamps

Hose	Description	Clamp	Description
08511	HOSE, WHITE, EPDM, 3/4" ID	107312	CLAMP, HOSE, METAL TENSION BAND, 1-1/8" OD, BLACK
108820	HOSE, SILICON, 1/2" ID x 1/8" WALL	1073122	CLAMP, HOSE, METAL TENSION BAND, 3/4" OD, SILVER
104379	HOSE, SILICON, RUBBER, 1/4" ID	104383	CLAMP, HOSE, NYLON, 1/2"
105850	HOSE, POLY REINFORCED, 1/4" ID x 1/2" OD	1073121	CLAMP, HOSE, METAL TENSION BAND, 1/4" ID, SILVER

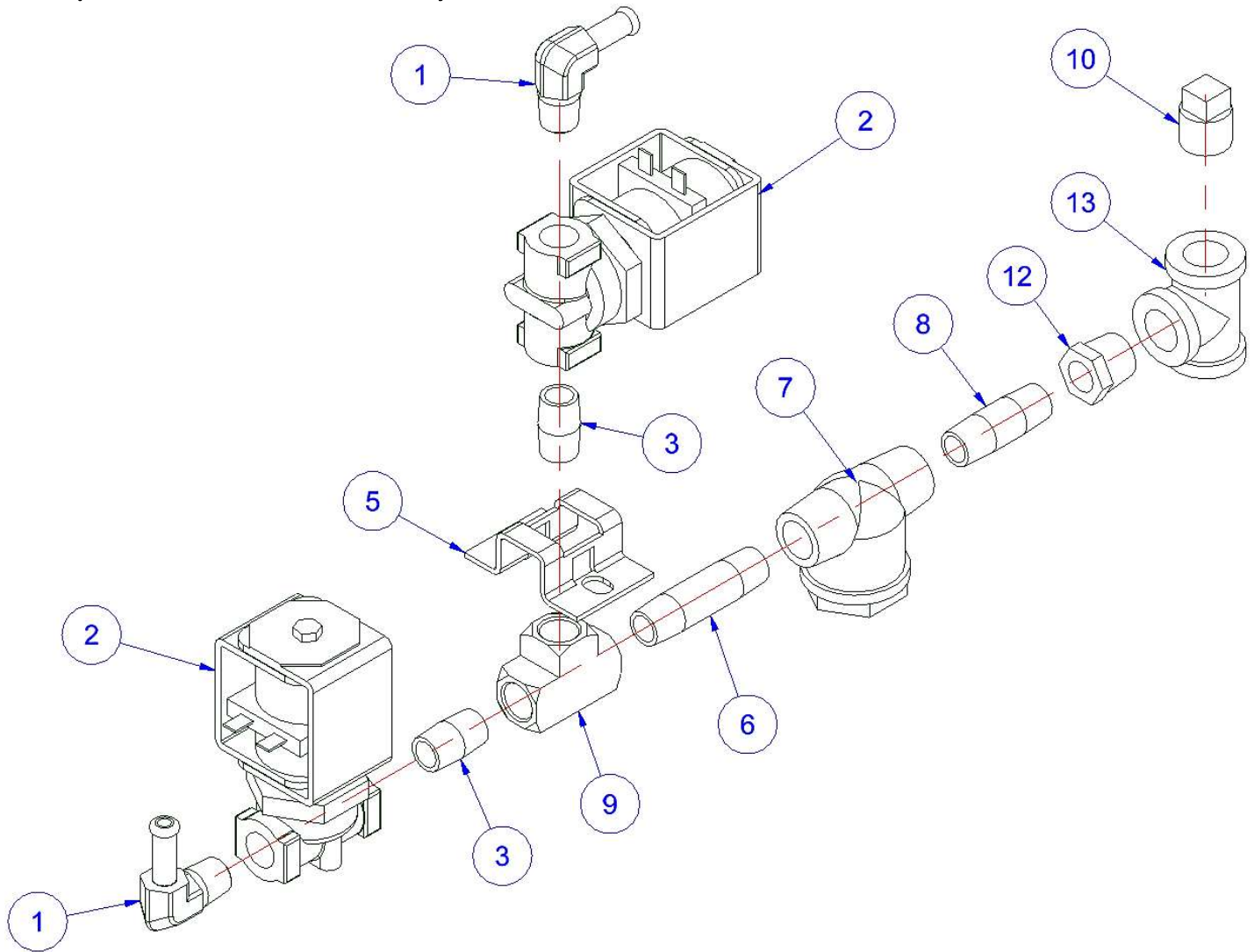
Assembly Number: 108995

Description: Assembly Reset Switch



Item	QTY	P/N	Description
1	1	1089951	ADAPTER, BRASS, 1/2-14 NPT
2	1	1089952	HI-LIMIT RESET SWITCH (140° C)

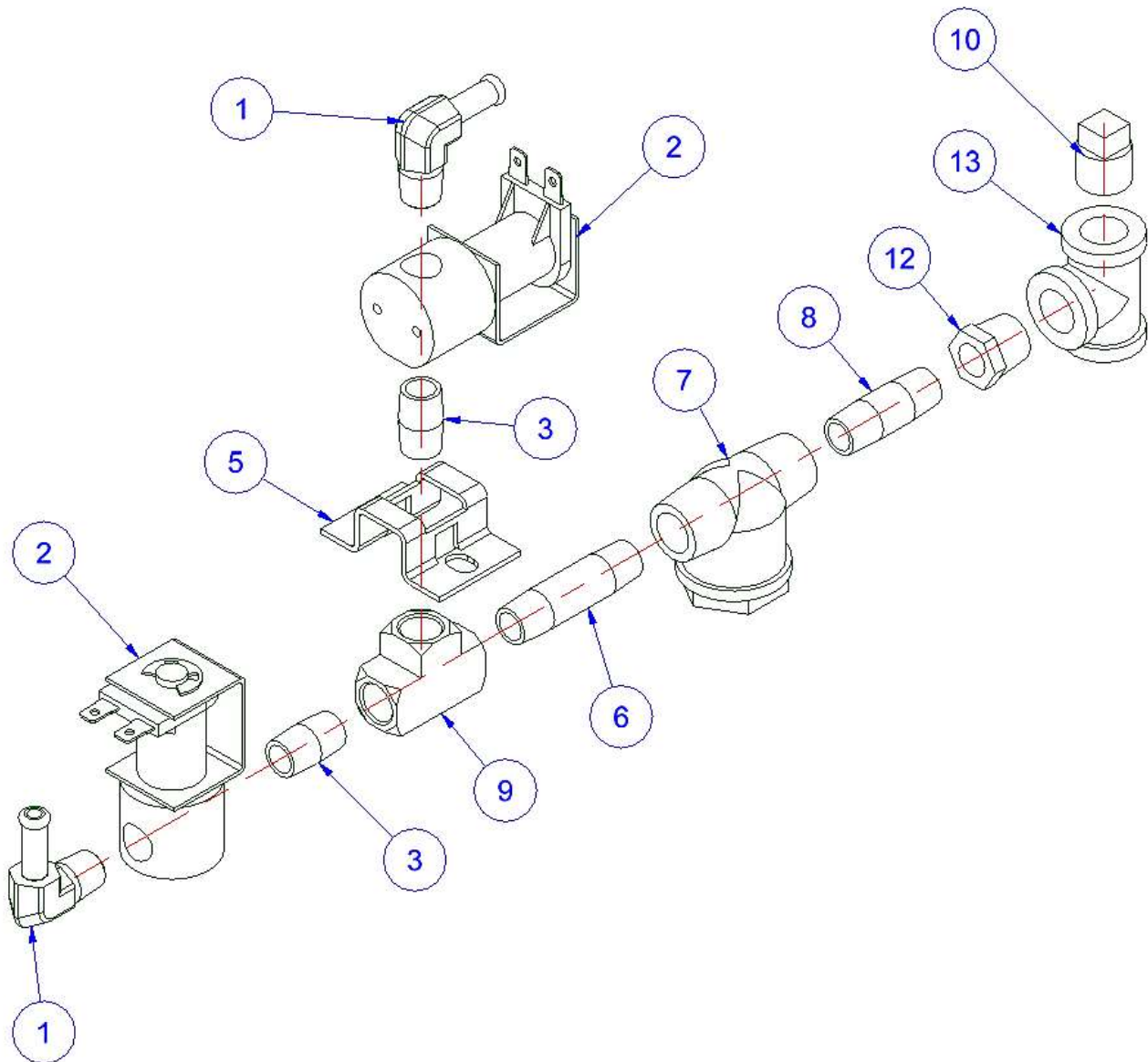
Assembly Number: 1105271
Description: Boiler Fill Valve Assembly



Item	QTY	P/N	Description
1	2	111289	FITTING, ELBOW, 90 1/4" HOSE X 1/4" NPT MALE
2	2	222231	VALVE, SOLENOID, 1/4, NPT, SPADE TERMINAL, 120V
3	2	14304	NIPPLE .25NPTF, CLOSE, BRASS
5	1	100064	CLAMP, MOUNTING, 1/4" TEE/ELBOW
6	1	14476	NIPPLE .25NPT X 2.00, SCH 40, BRASS TBE
7	1	19870	STRAINER, 1/4 IN WATTS V #27, 40 MESH SCREEN
8	1	14411	NIPPLE .25 NPT x 1.50, SCH 40, BRASS TBE
9	1	20199	TEE, 1/4", BRASS
10	1	16618	PLUG, 3/8" PIPE, SQ. HD., BRASS
11	A/R	00934	SEALANT, PIPE DOPE, RECTORSEAL #5
12	1	02594	BUSHING, HEX, 3/8 x 1/4, BRASS
13	1	20202	TEE, 3/8 IN, BRASS

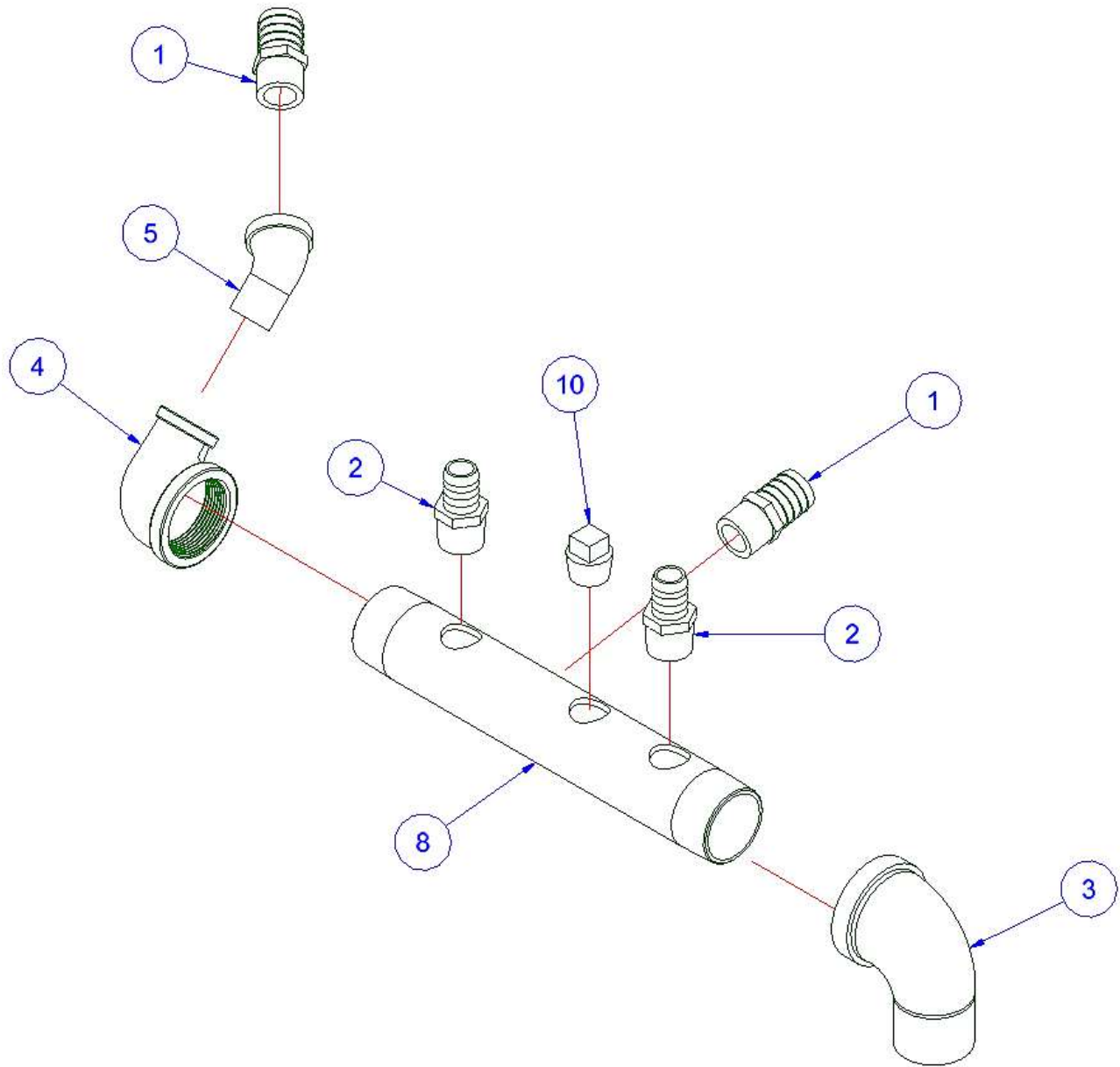
Assembly Number: 110527

Description: Valve Assembly, Water Inlet



Item	QTY	P/N	Description
1	2	111289	FITTING, ELBOW, 90 1/4" HOSE X 1/4" NPT MALE
2	2	22218	VALVE, SOLENOID, 1/4" NORM, 120 VOL
3	2	14304	NIPPLE .25NPTF, CLOSE, BRASS
5	1	100064	CLAMP, MOUNTING, 1/4" TEE/ELBOW
6	1	14476	NIPPLE .25NPT X 2.00, SCH 40, BRASS TBE
7	1	19870	STRAINER, 1/4 IN WATTS V #27, 40 MESH SCREEN
8	1	14411	NIPPLE .25 NPT x 1.50, SCH 40, BRASS TBE
9	1	20199	TEE, 1/4", BRASS
10	1	16618	PLUG, 3/8" PIPE, SQ. HD., BRASS
11	A/R	00934	SEALANT, PIPE DOPE, RECTORSEAL #5
12	1	02594	BUSHING, HEX, 3/8 x 1/4, BRASS
13	1	20202	TEE, 3/8 IN, BRASS

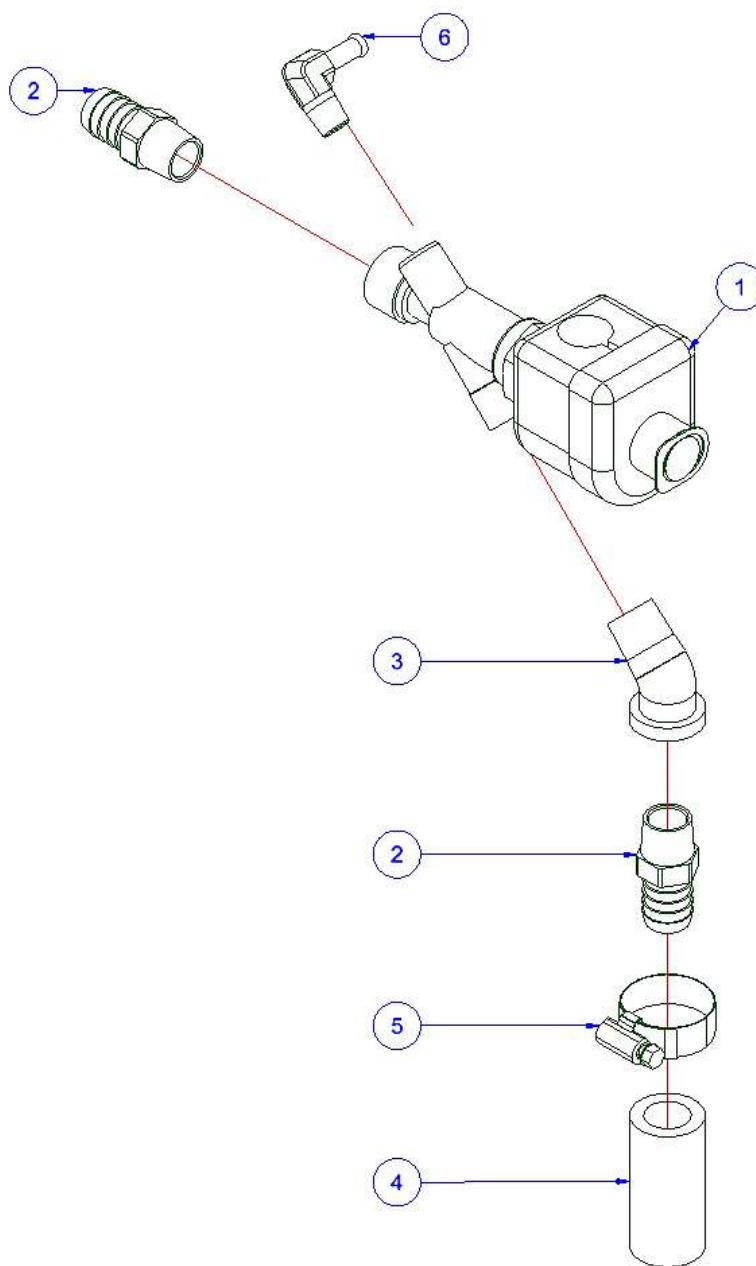
Assembly Number: KE004050
Description: Manifold Drain Assembly



Item	QTY	P/N	Description
1	2	06185	FTG, HOSE BARB, 1"x3/4 MPT BR.
2	2	06240	FTG, HOSE BARB, 3/4 X 3/4 MPT
3	1	05292	ELBOW, STREET, 90°, 1-1/2, BLACK
4	1	102653	ELBOW;REDUCNG;1 1/2 IN X3/4 IN NPT;BLK
5	1	05237	ELBOW, STREET, 45 DEG, 3/4 IN BLACK
8	1	KE604222	MANIFOLD PIPE, DRAIN, GEMINI 10.2
9	A/R	00934	SEALANT; PIPE DOPE;ONE PINT CAN,RECTORSEAL #5
10	1	16608	PLUG, SQ HD, 3/4 PIPE, BLACK

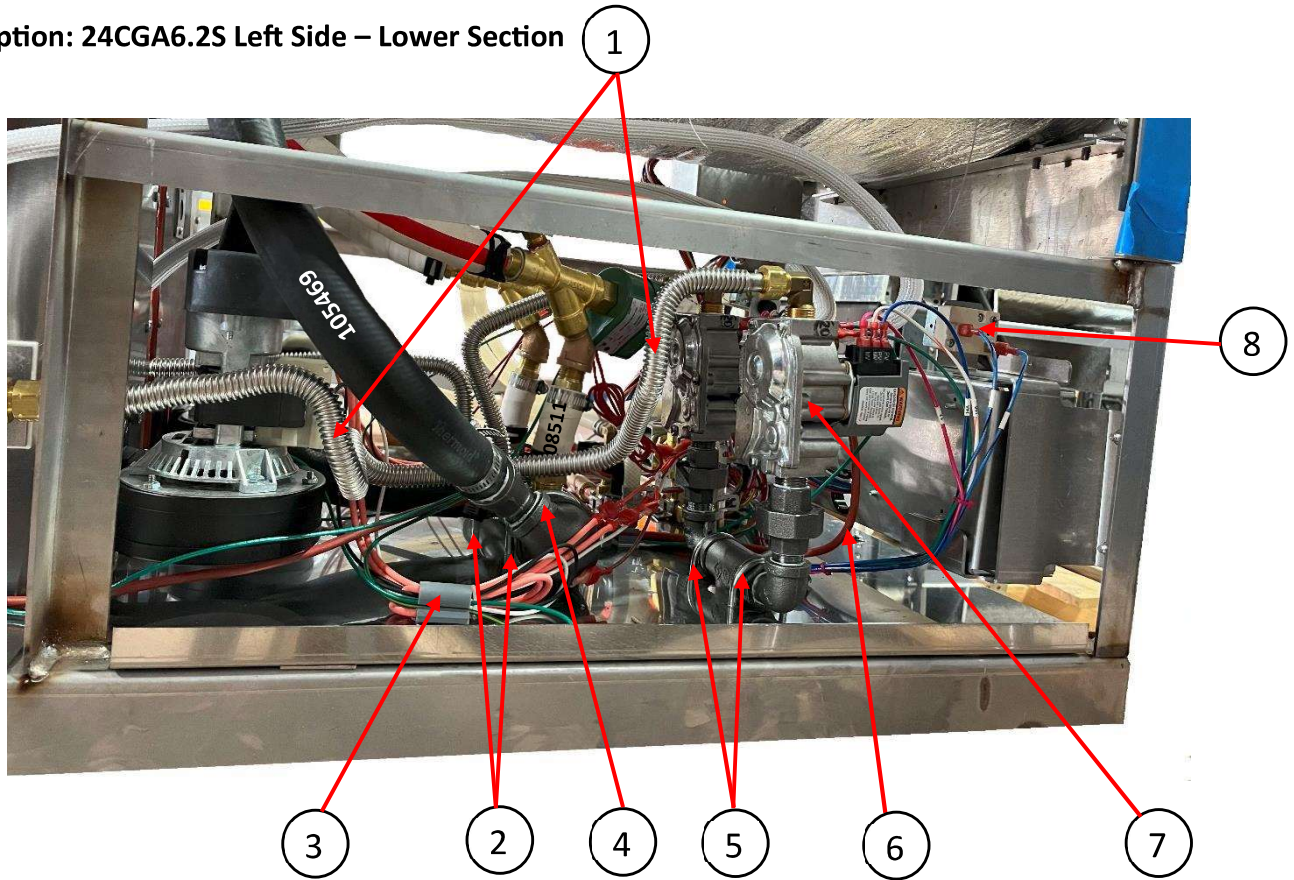
Assembly Number: KE004051

Description: Drain Valve Solenoid Assembly



Item	QTY	P/N	Description
1	1	22221	VALVE, SOLENOID, 1/2" DRAIN, 18IN LEAD
2	2	06241	FTG, HOSE BARB, 3/4HX1/2MPT, BR.
3	1	05223	ELBOW, STREET, 45 DEG., 1/2" NPT, BRASS
4	1	085110250	HOSE, WHITE EPDM, 3/4" ID X 2.500" LG
5	1	03204	CLAMP, HOSE, WORM DRIVE 0.812 X 1.50 DIA
6	1	111289	FITTING, ELBOW, 90 1/4" HOSE X 1/4" NPT MALE
7	A/R	00934	SEALANT; PIPE DOPE; ONE PINT CAN, RECTORSEAL #5
8	2	20351	TERMINAL SLIPON, FULLY INSULATED 0.032 X 0.25 TAB, 22-18

Description: 24CGA6.2S Left Side – Lower Section



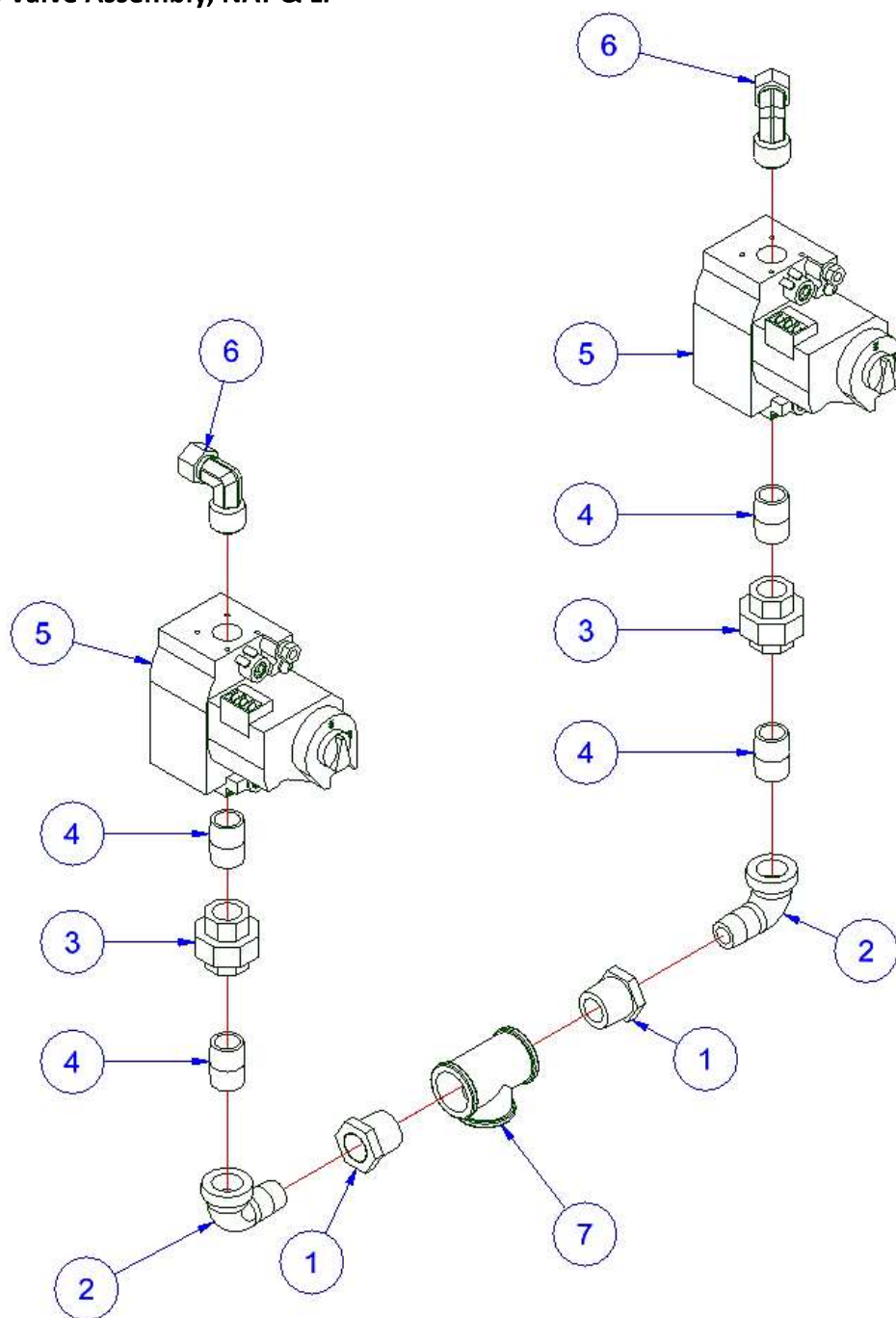
Item	QTY	P/N	Description
1	2	108928	GAS LINE, MAIN
2	2	108030	CLAMP, PIPE, (5/16 U-BOLT) W/ NUTS
3	2	23432	CLIP, MOUNTING; WIRE/CABLE
4	1	KE004050	ASSY; MANIFOLD; DRAIN
5	2	105970	"U" BOLT, 3/4" PIPE
6	2	SM00100-2	CABLE, IGNITOR ASSEMBLY
7	1	KE004054	ASSY; DUAL GAS VALVE, NAT
	1	KE004058	ASSY; DUAL GAS VALVE, LP
8	2	108995	ASSEMBLY, RESET SWITCH

Hoses & Corresponding Clamps

Hose	Description	Clamp	Description
08511	HOSE, WHITE, EPDM, 3/4" ID	107312	CLAMP, HOSE, METAL TENSION BAND, 1-1/8" OD, BLACK
		03204	CLAMP, HOSE, WORM DRIVE 0.812 X 1.50 DIA
105469	HOSE, EPDM, BLACK WATER	03204	CLAMP, HOSE, WORM DRIVE 0.812 X 1.50 DIA

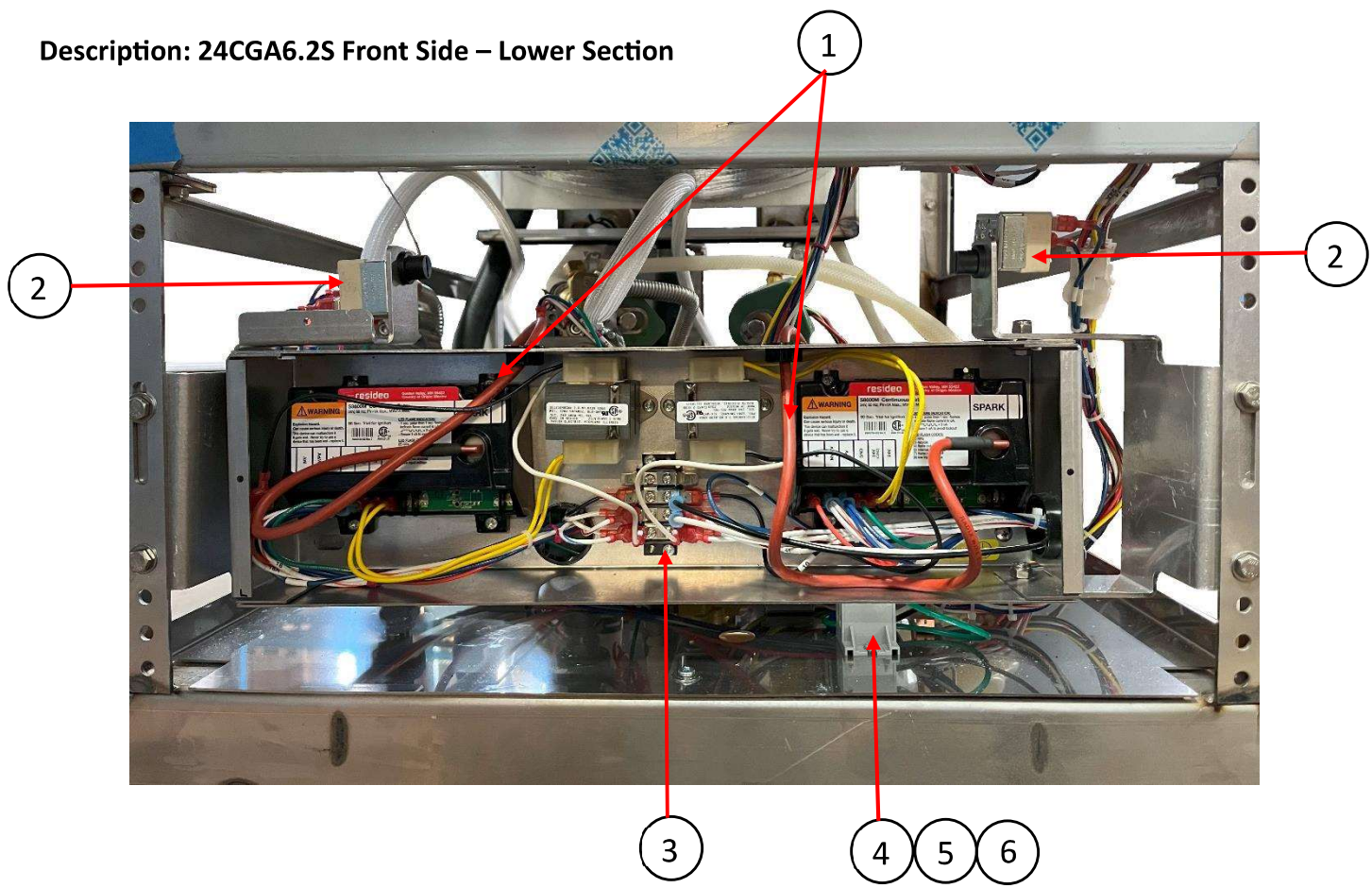
Assembly Number: KE004054 (NAT) & KE004058 (LP)

Description: Dual Gas Valve Assembly, NAT & LP



Item	QTY	P/N	Description
1	2	02565	BUSHING, HEX, 1/2" X 3/4", BLACK
2	2	05252	ELBOW, STREET, 90°, 1/2 BLACK
3	2	21302	UNION, BLACK 1/2" # 150
4	4	14323	NIPPLE, 1/2 x CLOSE, BLACK
5	2	109877 1098771	VALVE, GAS, 2 STAGE, NAT VALVE, GAS, 2 STAGE, LP
6	2	06205	FTG; COMP.1/2Tx1/2MPT 90' PARKER HANIFIN 169CA-8-8
7	1	20205	TEE, 3/4IN, BLACK
8	A/R	00934	SEALANT; PIPE DOPE;ONE, PINT CAN,RECTORSEAL #5

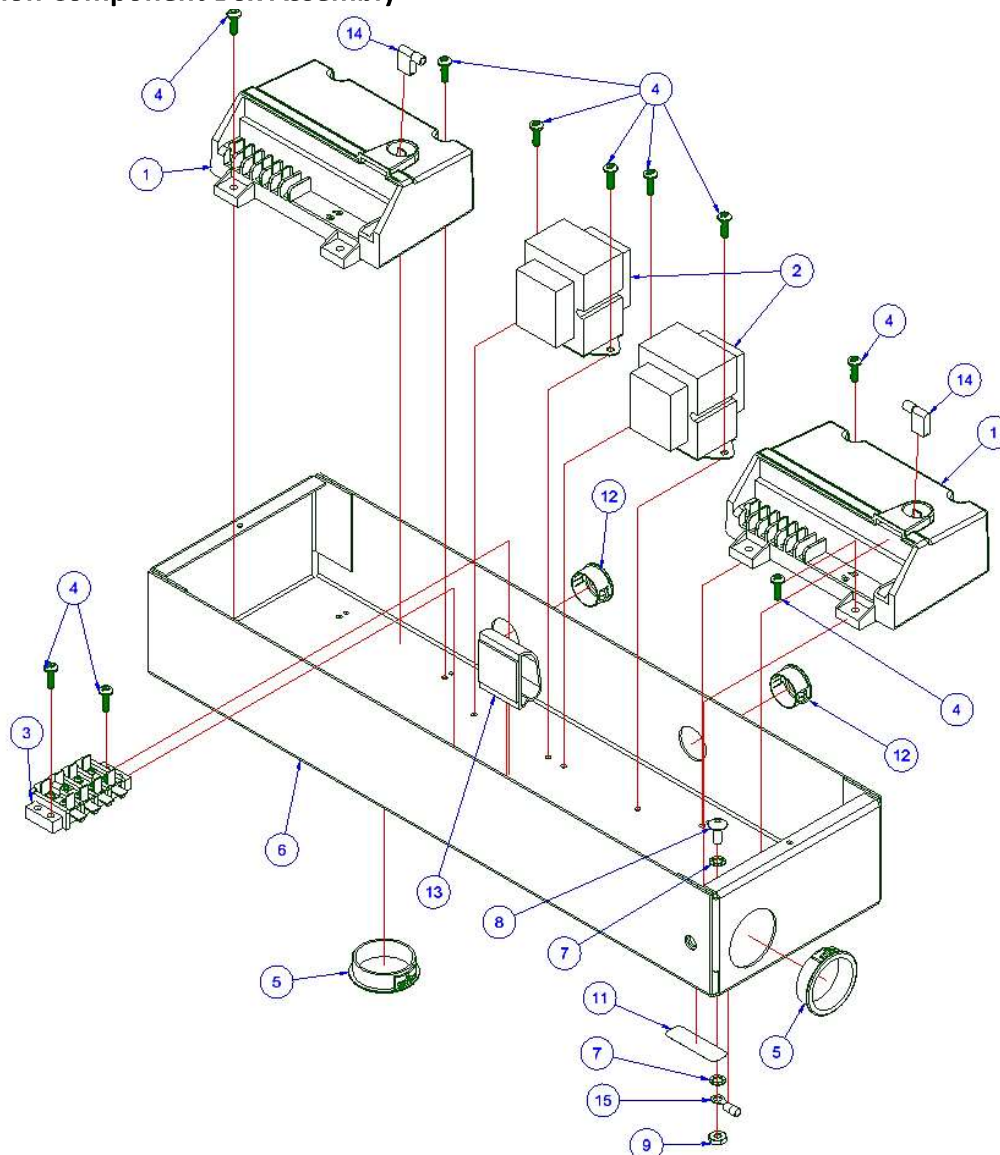
Description: 24CGA6.2S Front Side – Lower Section



Item	QTY	P/N	Description
1	2	SM00100-2	CABLE, IGNITOR ASSEMBLY
2	2	108995	ASSEMBLY, RESET SWITCH
3	1	KE004060	ASSEMBLY, IGNITION COMPONENT BOX; GEMINI 10.2
4	2	20301	TERMINAL SECTION, MARATHON
5	1	20302	TERMINAL, END SECTION
6	2	106127	SCREW, 6-32 X 1/2, TORX/PAN HD

Assembly Number: KE004060

Description: Ignition Component Box Assembly

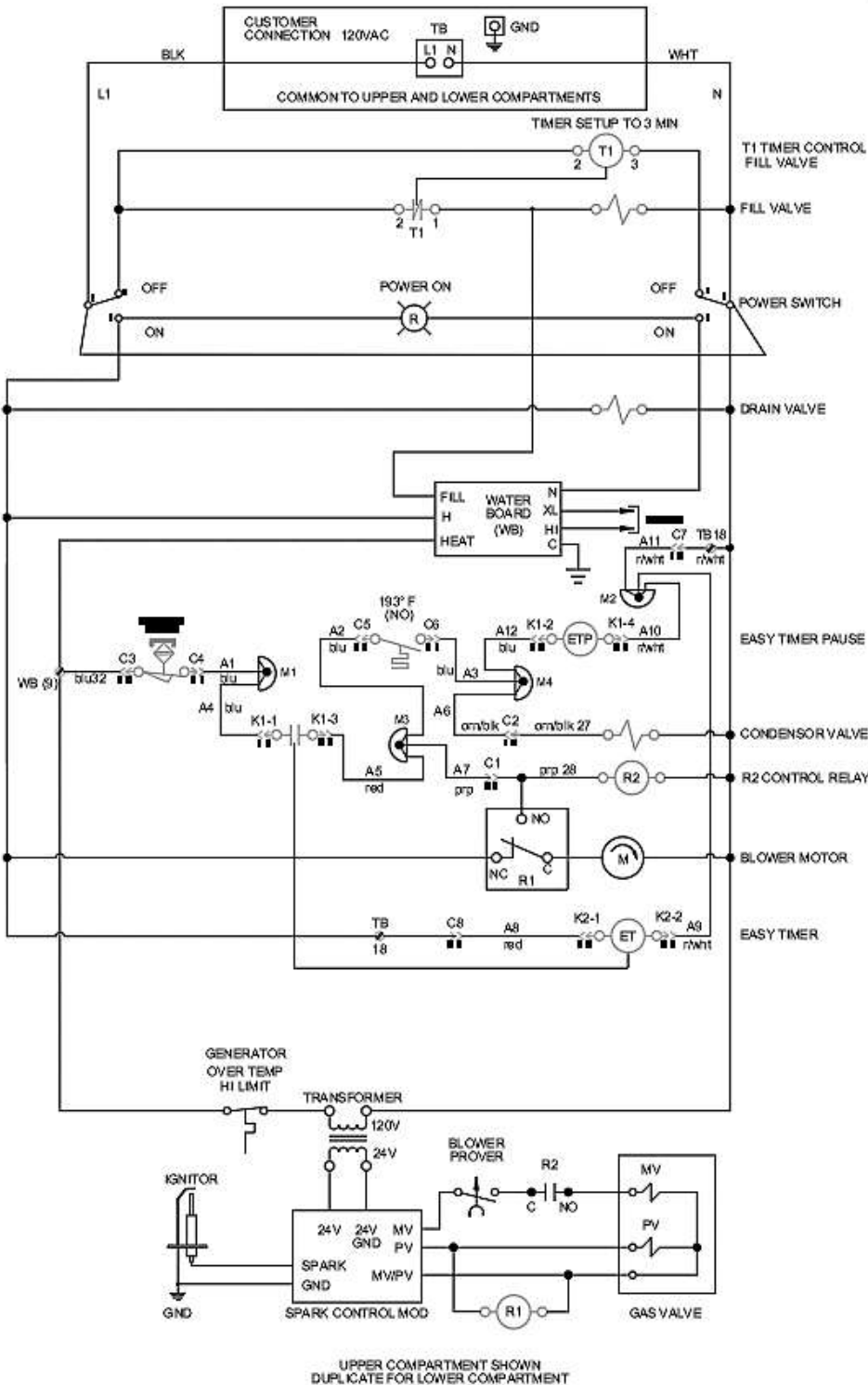


Item	QTY	P/N	Description
1	2	105693	MODULE, SPARK CONTROL, INTERMITTENT PILOT
2	2	20528	TRANSFORMER, 120-24V, 40VA, 50/60 HZ, 9" LEADS
3	1	105990	TERMINAL BLOCK ASSEMBLY 4 POLE, W/2 JUMPERS
4	10	106126	SCREW; 8-32X1/2; TORX/SLTPN HD; THREAD FORMING; ZN PLTD
5	2	102581	BUSHING, SNAP-IN FOR 1 1/2 DIA HOLE
6	1	KE604227	BOX; IGNTION COMPONENT
7	2	23114	WASHER, LOCK, INTRNL. TOOTH #10 TYPE A OR B, SST
8	1	101231	SCREW, 10-24 X 0.500 SST, PHILLIPS TRUSS HEAD
9	1	14659	NUT, HEX, #10-24, SST
10	8	20351	TERMINAL, FEMALE, FULLY INSULATED, 0.032 X 0.250, 22-18 AWG
11	1	14897	LABEL, GROUND
12	2	KE54833-3	HEYCO BUSHING; 875 DIA NYLON HEYCO #SB875-9
13	1	23432	CLIP, MOUNTING; WIRE/CABLE
14	2	300641	1/4" FEMALE FLAG DISCONNECT, 22-18AWG
15	1	20338	TERMINAL, RING, INSUL, #10 STUD, 22-18 AWG
16	1	WHKE004060-1 (not shown)	WIRING HARNESS ASSEMBLY

GEMINI 6.2/10.2 EASY TIMER - GAS

COMPONENT PARTS LIST

P/N	DESCRIPTION
1- 1057842	IGNITOR, NATURAL GAS
1057841	IGNITOR, PROPANE GAS
2- 109877	GAS VALVE, NATURAL
1098771	GAS VALVE, PROPANE
3- 105693	IGNITION CONTROL MODULE
4- 20528	SPARK IGNITION TRANSFORMER
5- 108995	HI LIMIT CAPILLARY SWITCH
6- 110786	BLOWER W/ SENSOR
7- 108285	24VAC RELAY
8- 105966	120VAC RELAY
9- 107241	WATER LEVEL CONTROL BOARD
10- 107239	LEVEL CONTROL PROBE
11- 20478	3 MINUTE INTERVAL TIMER
14- 19993	POWER ON SWITCH (RED)
15- 108880	DOOR SWITCH - SCS
16- 22218	CONDENSER VALVE
17- 222231	FILL VALVE
18- 300154	TERMINAL BLOCK ASSEMBLY
19- 105990	TERMINAL BLOCK ASSEMBLY
20- 20304	GROUND LUG
21- 20301	TERMINAL BLOCK SECTION (QTY. 2)
21A- 20302	TERMINAL BLOCK END
22- SM00100-3	IGNITOR CABLE ASSEMBLY
26- 19972	COMP. THERMO STAT 193° F (NO.)
27- 22221	DRAIN VALVE SOLENOID



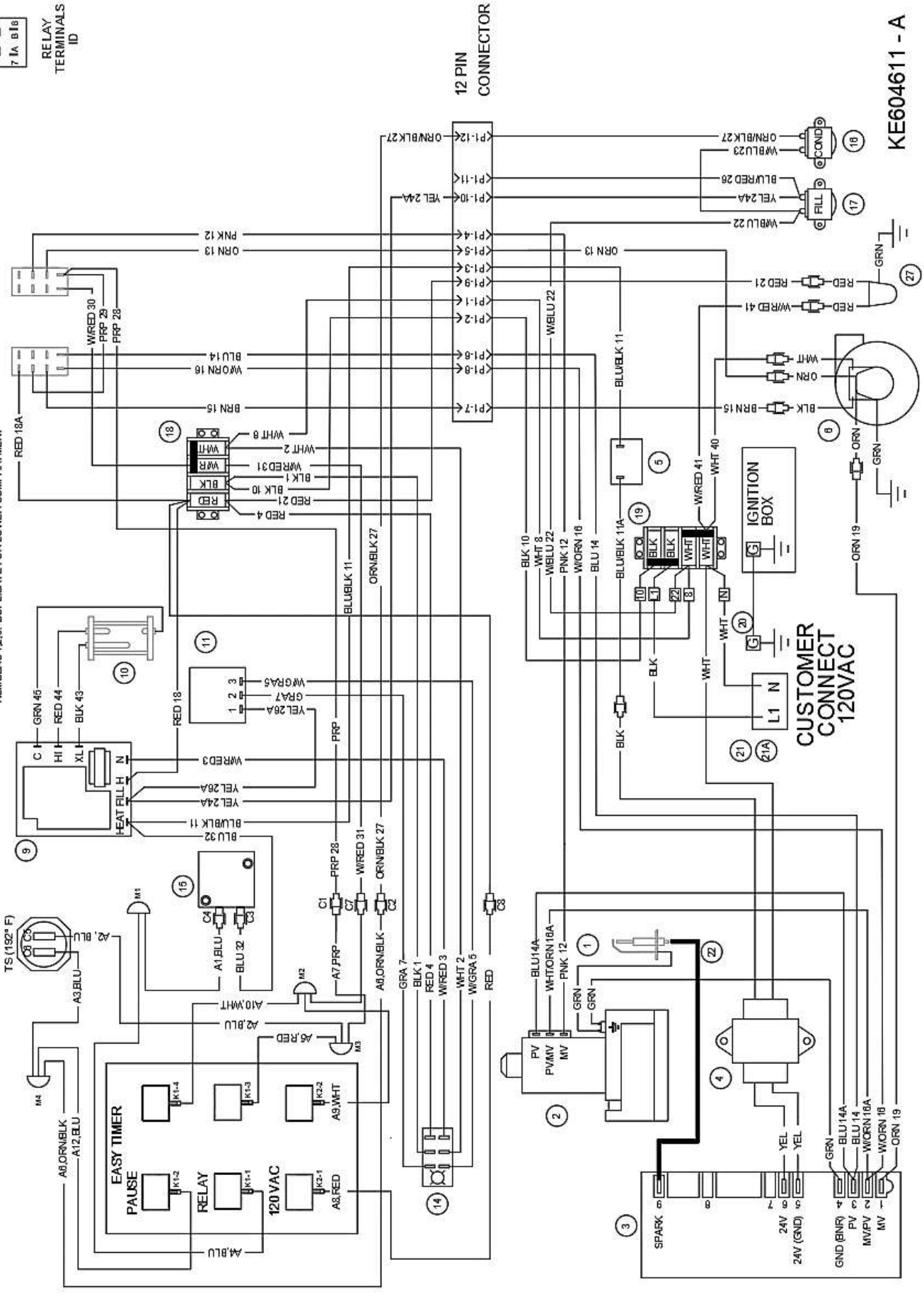
GEMINI 6.2/10.2 EASY TIMER - GAS

NOTES:

- UPPER COMPARTMENT CIRCUIT SHOWN USE HARNESS NUMBERS 12.3. DUPLICATE FOR LOWER COMPARTMENT

1	NC	2
3	NO	4
5	C	6
7	IA	B16

RELAY
TERMINALS
ID



KE604611 - A

Cleveland

Service/Parts:

1-844-724-2273

US: Press #4 after prompt to be directed to Technical Services. Press #2 after prompt to be directed to Cleveland.

Canada: Press #1 after prompt to be directed to service in Canada.

Every new piece of Welbilt Foodservice equipment comes with KitchenCare® and you choose the level of service that meets your operational needs from one restaurant to multiple locations

StarCare – Warranty & lifetime service, certified OEM parts, global parts inventory, performance audited

ExtraCare – CareCode, 24/7 Support, online/mobile product information

LifeCare – Install & equipment orientation, planned maintenance, KitchenConnect™, MenuConnect®

Talk with KitchenCare® • 1-844-724-CARE • www.mtwkitchencare.com



To learn how Welbilt Foodservice and its leading brands can equip you, visit our global web site at www.welbilt.com, then discover the regional or local resources available to you.

©2016 Welbilt Foodservice except where explicitly stated otherwise. All rights reserved. Continuing product improvement may necessitate change of specifications without notice