

# SteamCraft

# Cleveland

## Gas Convection Steamer with Easy Timer

---

### Parts Manual

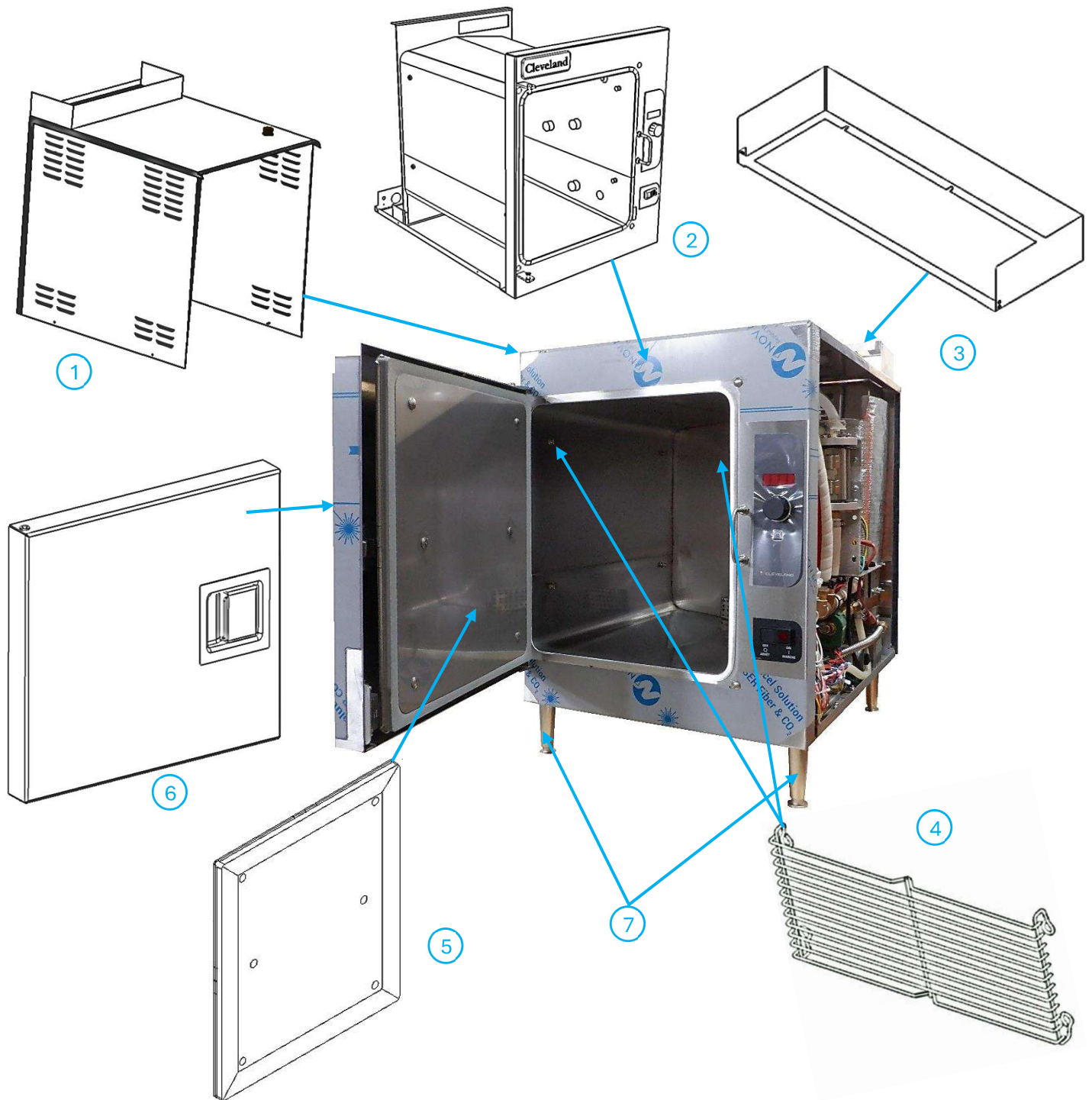
#### MODELS:

21CGA5



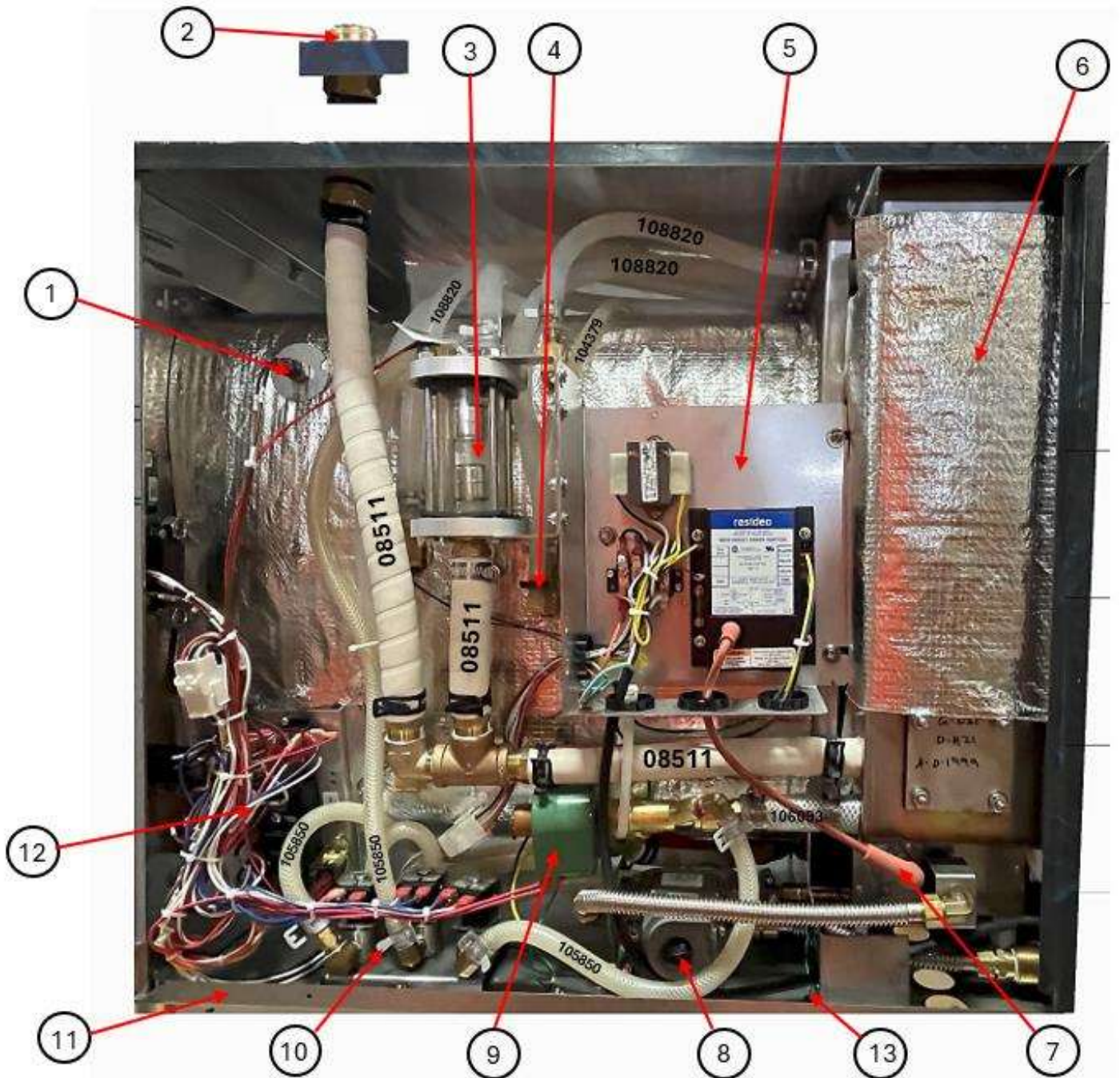
Part # KE004037-21 Rev A  
February 2024

**Description: General Body Assembly**



| Item | QTY | Part Number | Description                             |
|------|-----|-------------|---|
| 1    | 1   | 114258-1    | SHEETING, HL, 21CGA5                    |
| 2    | 1   | KE004147-12 | BODY ASSY, HL, EASY TIMER               |
| 3    | 1   | 1066444     | HOOD, FLUE OUTLET ASSY.                 |
| 4    | 1   | 414232      | RACK ASSEMBLY, WIRE PAN                 |
| 5    | 1   | 104202      | DOOR, ASSY, INNER, SC5.1                |
| 6    | 1   | 114173-1    | DOOR, OUTER ASSEMBLY, HL/HR SC5/10/10.2 |
| 7    | 4   | 2501018     | LEG, CTI 4 IN. CAST MET                 |

21CGA5 RIGHT HAND SIDE



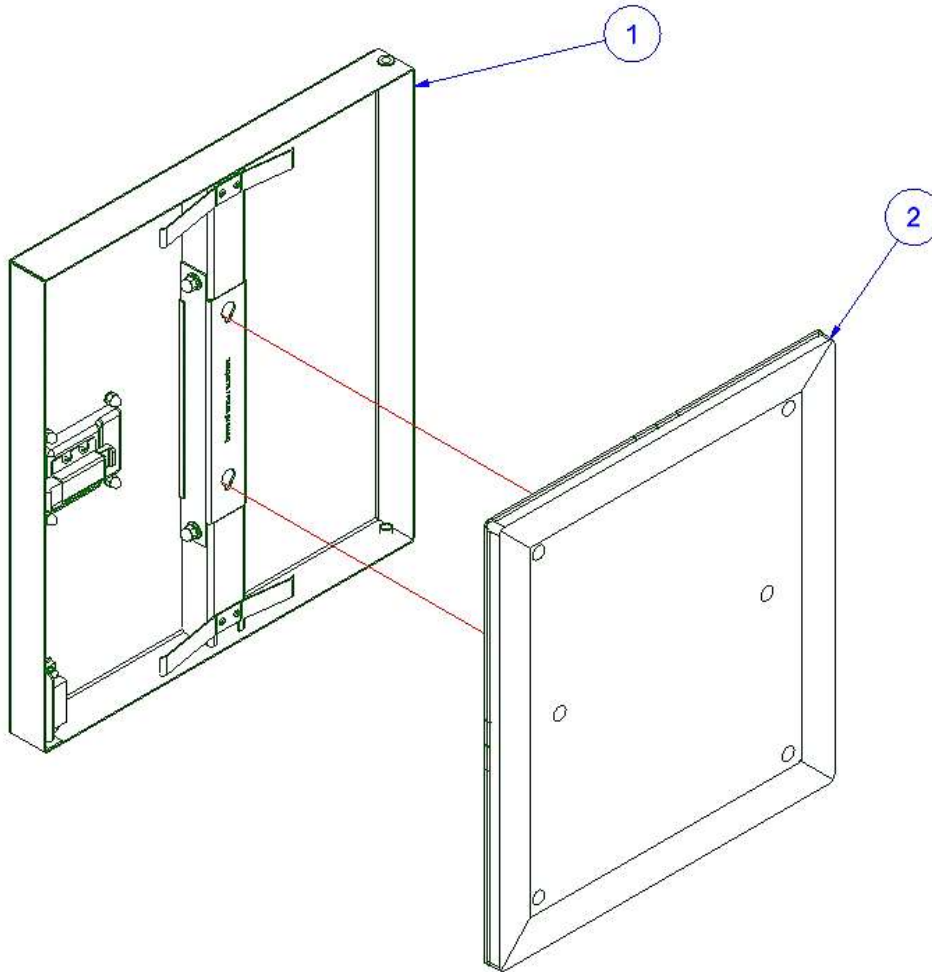
| Item | QTY | Part Number       | Description  |
|------|-----|-------------------|--|
| 1    | 1   | 19972             | SWITCH, THERMAL CLOSE 193 DEG. F                               |
| 2    | 1   | 109641            | PORT ASSY, DESCALER  |
| 3    | 1   | 106521            | FLOAT AND DESCALER ASSEMBLY                                    |
| 4    | 1   | 1070591           | BREATHER/SPRAY NOZZLE ASSEMBLY                                 |
| 5    | 1   | 106523            | COMPONENT PANEL ASS'Y, H.L. STEAMCRAFT ULTRA 5, GAS            |
| 6    | 1   | -                 | ASSY, GEN, HL, NAT, #21, 21CGA5                                |
| 7    | 1   | 300225            | CABLE, IGNITION, HI-VOLTAGE                                    |
| 8    | 1   | 106404<br>1064041 | GAS VALVE ASSEMBLY, NATURAL GAS<br>GAS VALVE ASSEMBLY, PROPANE |
| 9    | 1   | 1063842           | VALVE ASSEMBLY, DRAIN STEAMCRAFT 5 GAS, H.L.                   |
| 10   | 1   | 114270            | VALVE/HOSE ASSY, HL FLOAT, 21CGA5                              |
| 11   | 1   | 114256            | ASSY, BASE, HL, 21CGAS   |
| 12   | 1   | 106760            | HEAT STANDBY/3 MINUTE TIMER BLOWDOWN ASSEMBLY                  |
| 13   | 1   | 300258            | ASSEMBLY, GROUND WIRE  |

#### Hoses & Corresponding Clamps

| Hose   | Description                              | Clamp   | Description                                       |
|--------|--|---------|---|
| 08511  | HOSE, WHITE, EPDM, 3/4" ID               | 107312  | CLAMP, HOSE, METAL TENSION BAND, 1-1/8" OD, BLACK |
|        |  | 03204   | CLAMP, HOSE, WORM DRIVE 0.812 X 1.50 DIA          |
| 108820 | HOSE, SILICON, 1/2" ID x 1/8" WALL       | 1073122 | CLAMP, HOSE, METAL TENSION BAND, 3/4" OD, SILVER  |
| 104379 | HOSE, SILICON, RUBBER, 1/4" ID           | 104383  | CLAMP, HOSE, NYLON, 1/2"                          |
| 105850 | HOSE, POLY REINFORCED, 1/4" ID x 1/2" OD | 1073121 | CLAMP, HOSE, METAL TENSION BAND, 1/4" ID, SILVER  |

**Assembly Number: 114169-1**

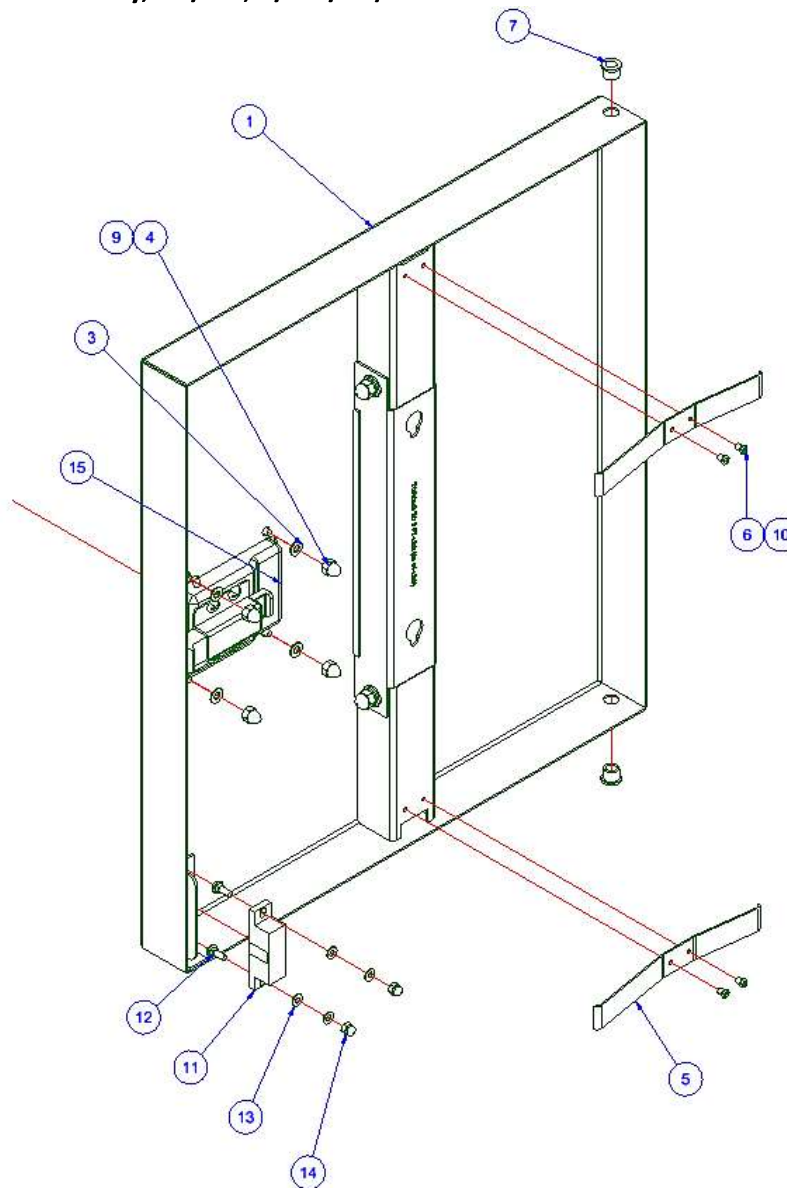
**Description: Door Assembly, S/C 5/10/10.2**



| Item | QTY | Part NO. | Description                             |
|------|-----|----------|---|
| 1    | 1   | 114173-1 | DOOR, OUTER ASSEMBLY, HL/HR SC5/10/10.2 |
| 2    | 1   | 104202   | DOOR, ASSY, INNER, SC5.1                |

Assembly Number: 114173-1

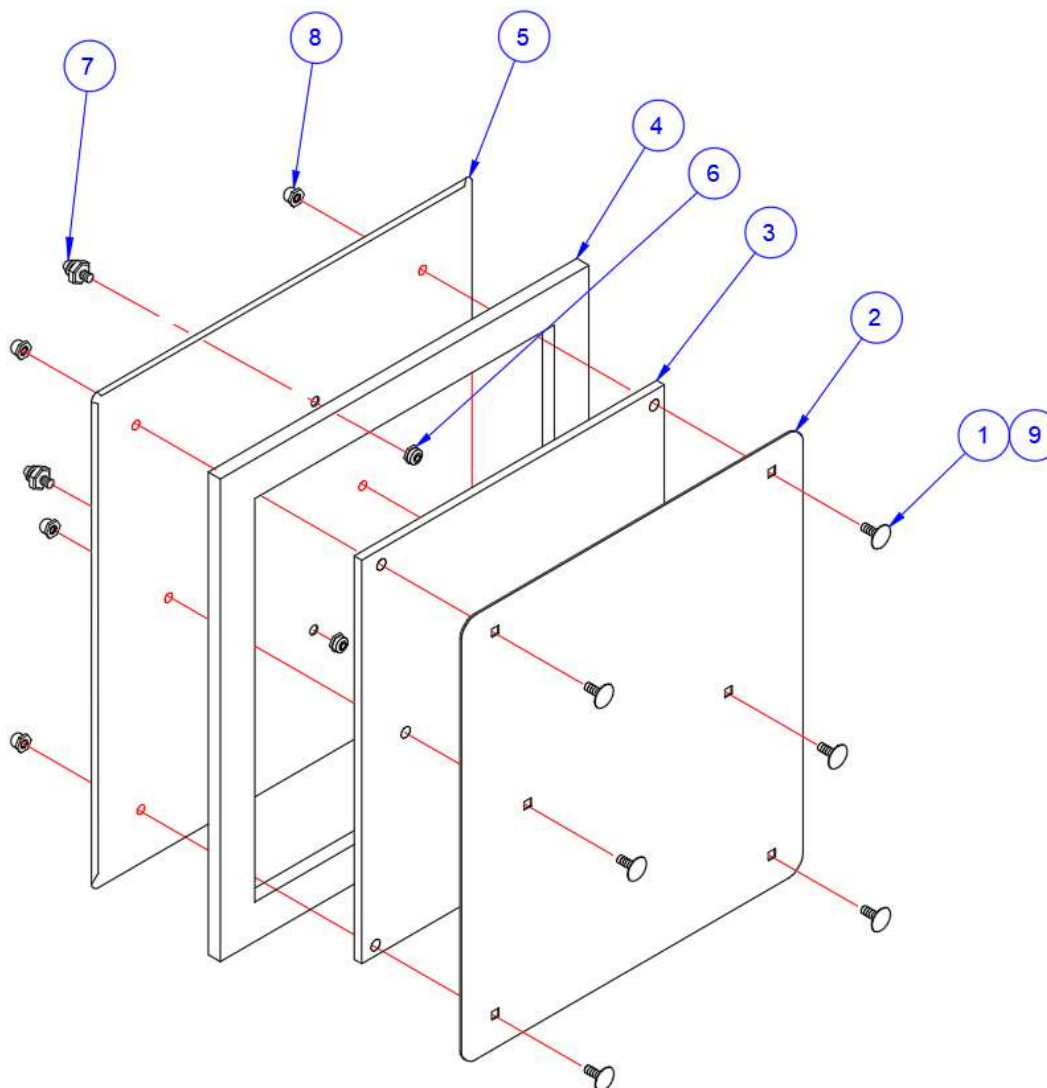
Description: Outer Door Assembly, HL/HR, S/C 5/10/10.2



| Item | QTY | Part NO.    | Description  |
|------|-----|-------------|--|
| 1    | 1   | 114175-1    | DOOR, OUTER, WELD, HL/HR                             |
| 3    | 4   | 101655      | WASHER, FLAT, #10, SST                               |
| 4    | 4   | 11000115589 | NUT, #10-24, HIGH CROWN ACORN, SST                   |
| 5    | 2   | 102228      | SPRING, DOOR, 3/5 PAN                                |
| 6    | 4   | 18357       | RIVET, FLUSH BREAK, 0.125 DIA, 0.126/0.187 GRIP, SST |
| 7    | 2   | 103641      | BUSHING, DOOR HINGE                                  |
| 9    | A/R | 104146      | LOCTITE #222 LOW STRENGTH                            |
| 10   | A/R | 00933       | SEALANT, RTV, CLEAR                                  |
| 11   | 1   | 108879      | MAGNET, DOOR STEAM CUTOFF                            |
| 12   | 2   | 111592      | SCREW, 8-32 X 1/2 CARRIAGE HEAD, SST                 |
| 13   | 4   | 101336      | WASHER, FLAT, #8, SST                                |
| 14   | 2   | 109164      | NUT, HEX, ACORN, 8-32, SST, W/ THREAD LOC            |
| 15   | 1   | 103643      | LATCH, DOOR-PADDLE TYPE                              |

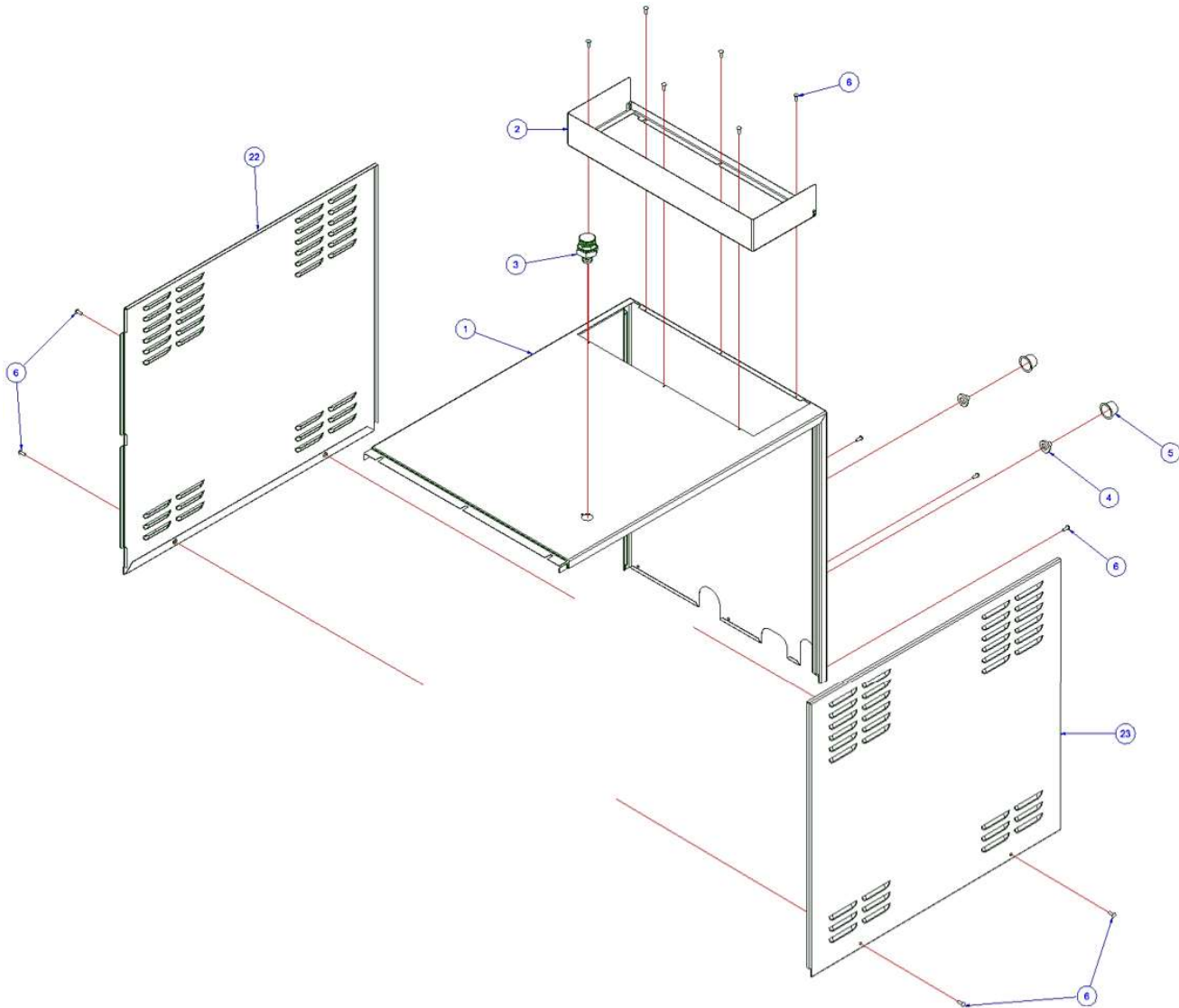
**Assembly Number: 104202**

**Description: Inner Door Assembly, 5-Pan Compartment**



| Item | QTY | P/N    | Description                               |
|------|-----|--------|---|
| 1    | 6   | 104719 | SCREW, CARRIAGE, 1/4-20X1, SST            |
| 2    | 1   | 104021 | PLATE, GASKET RETAINER                    |
| 3    | 1   | 104022 | PLATE, INNER GASKET RETAINER              |
| 4    | 1   | 104026 | GASKET, DOOR S/C 5.1                      |
| 5    | 1   | 104023 | DOOR, INNER PLATE SC 5.1                  |
| 6    | 2   | 14665  | NUT, HEX, 1/4-20 LOCK, SST (NYLON INSERT) |
| 7    | 2   | 66508  | PIN, GUIDE, INNER DOOR                    |
| 8    | 6   | 146771 | NUT, ACORN, THRD LOCK, 1/4-20, SST        |
| 9    | A/R | 00933  | SEALANT, DOW CORNING 732                  |

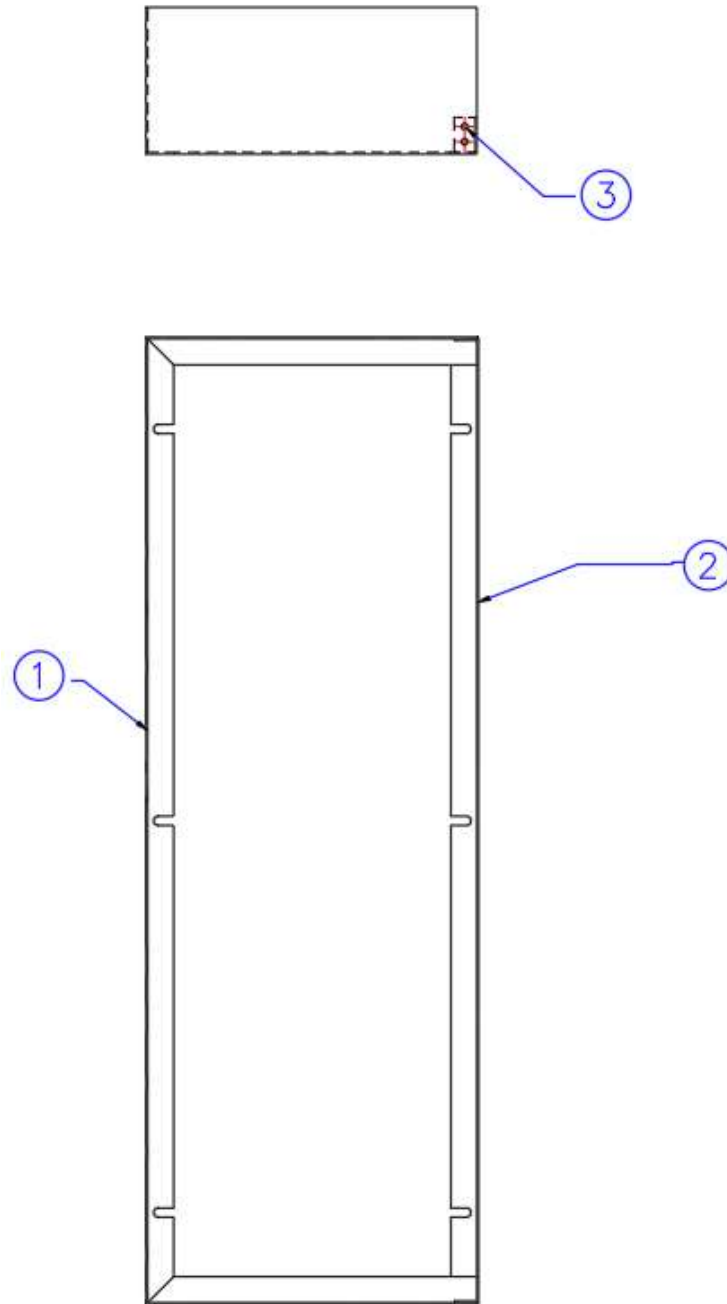
**Assembly Number: 114258-1**  
**Description: Sheeting, HL, 21CGA5**



| Item | QTY | P/N      | Description                                |
|------|-----|----------|--|
| 1    | 1   | 106338   | SHEETING, TOP/BACK STEAMCRAFT 5.1 GAS      |
| 2    | 1   | 106444   | HOOD; FLUE OUTLET ASM. SC 5.1 GAS          |
| 3    | 1   | 109641   | PORT ASSY, DESCALER                        |
| 4    | 2   | 110987   | STRAINER, FILTER WASHER, GARDEN HOSE INLET |
| 5    | 2   | 111113   | CAP, NON THREADED, PROTECTOR               |
| 6    | 13  | 104080   | SCREW, TR, PHH, 8x1/2, TYPE B, SST         |
| 22   | 1   | 106340-1 | PANEL, SIDE SHEETING STEAMCRAFT 5.1        |
| 23   | 1   | 106340   | PANEL, SIDE SHEETING STEAMCRAFT 5.1        |

Assembly Number: 106444

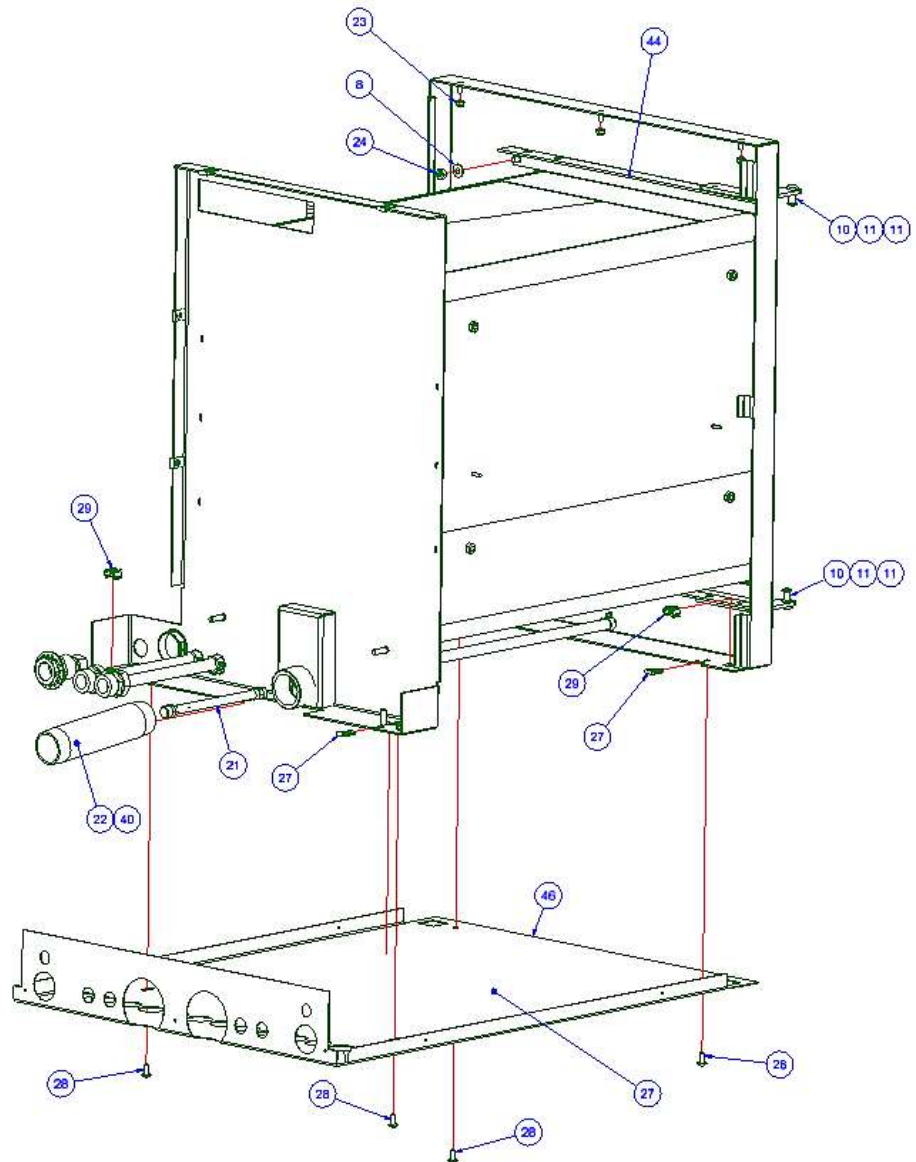
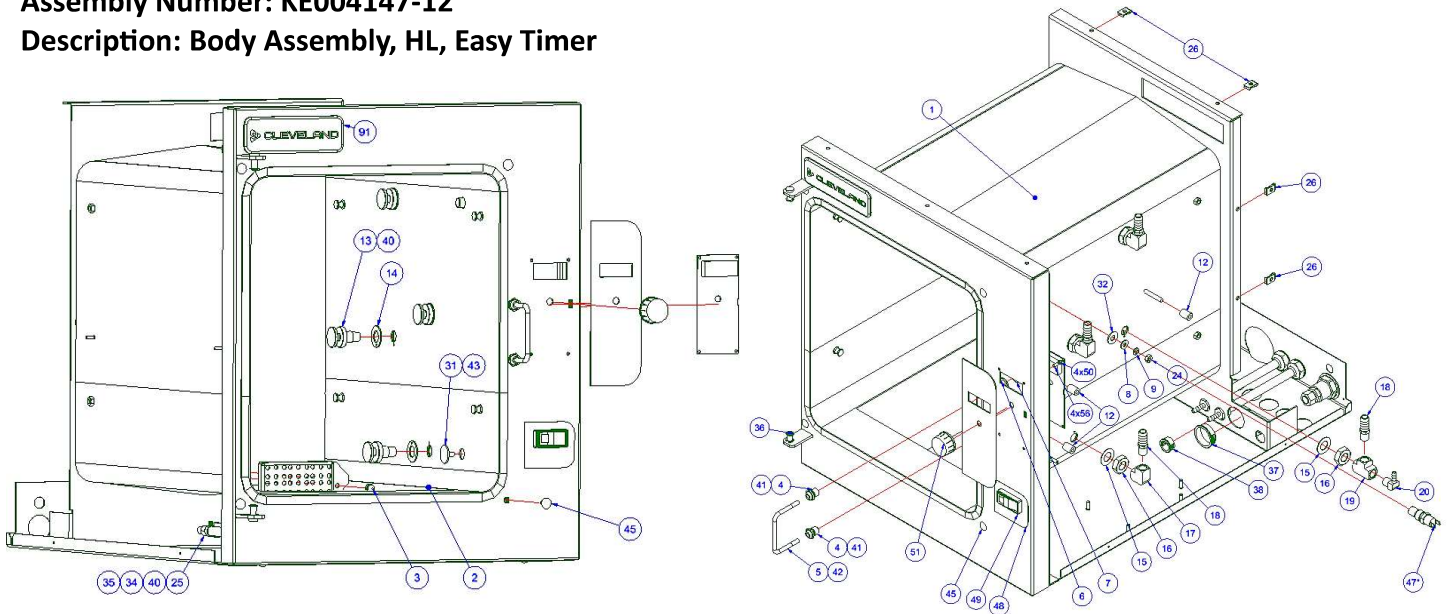
Description: Hood, Flue Outlet Assembly, 21CGA5



| Item | QTY | P/N    | Description                    |
|------|-----|--------|--------------------------------|
| 1    | 1   | 106442 | HOOD, FLUE OUTLET, SC 5.1 GAS  |
| 2    | 1   | 106443 | ANGLE, FLUE OUTLET, SC 5.1 GAS |
| 3    | 4   | 18357  | RIVET, POP, 1/8" DIA, S/S      |

Assembly Number: KE004147-12

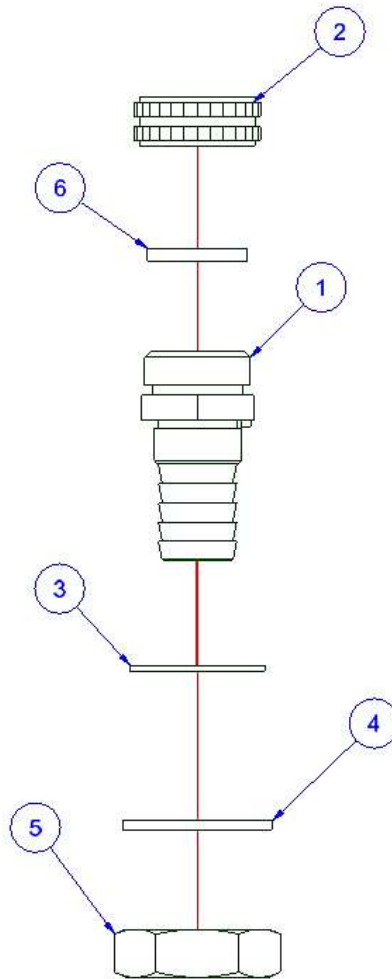
Description: Body Assembly, HL, Easy Timer



| Item | QTY | P/N                   | Description   |
|------|-----|-----------------------|---|
| 1    | 1   | KE004148-1            | CAVITY ASSY HL, WELDMENT, EASY TIMER                    |
| 2    | 1   | 69298                 | SCREEN; DRAIN COMPARTMENT (STAINLESS)                   |
| 3    | 1   | 14677                 | NUT, ACORN, 1/4-20, SST                                 |
| 4    | 2   | 14695                 | NUT, DOOR CATCH MOUNTING                                |
| 5    | 1   | 104046                | CATCH, DOOR   |
| 6    | 2   | 23149                 | WASHER, NYLON, TYPE 6/6                                 |
| 7    | 2   | 14649                 | NUT, HEX, 1/2-13, ZINC PLTD                             |
| 8    | 5   | 23116                 | WASHER, FLAT, .281 ID x .625 OD x .065 THK, SST         |
| 9    | 1   | 23105                 | WASHER, LOCK, 1/4" KATLINK STYLE, SST                   |
| 10   | 2   | 104077                | PIN, HINGE  |
| 11   | 4   | 104062                | RING, EXT, RETAINING, SST                               |
| 12   | 3   | 195552                | SPACER, 1/4" I.D. X 1/2 O.D. X 0.688 LG.                |
| 13   | 4   | 104009                | STEAM SUPPLY  |
| 14   | 4   | 104082                | STEAM INJECTOR  |
| 15   | 4   | 104232                | WASHER, FLAT, .640ID x .032 x 1.187 OD S/S              |
| 16   | 4   | 104081                | NUT, JAM 5/8-18, BRASS                                  |
| 17   | 3   | 05236                 | ELBOW, 1/4 X 90, BRASS                                  |
| 18   | 4   | 104048                | FTG; HOSE; BARB; 1/2Hx1/4 NPT                           |
| 19   | 1   | 20199                 | TEE, 1/4", BRASS  |
| 20   | 1   | 105786                | FTG, HOSE BARB, 1/4Hx1/4MPT, 90°, BRASS                 |
| 21   | 1   | 104840                | X, ASSY, NOZZLE REPLACEMENT                             |
| 22   | 1   | 104485                | NIPPLE, 1.250 NPT X 6.500, SCH 40 BLACK                 |
| 23   | 3   | 14672                 | NUT, HEX, 10-32, ELASTIC LOCK, ZINC PLTD                |
| 24   | 5   | 14618                 | NUT, HEX, 3/4-20, STAINLESS STEEL                       |
| 25   | 1   | 106005                | FTG, HOSE BARB, 1/4H x 1/8 FPT, STRAIGHT, BRASS         |
| 26   | 4   | 106217                | NUT, SLIPON, 1/4-20                                     |
| 27   | 4   | 106699                | NUT, SLIPON, #10-24, TIN. C17205-1024                   |
| 28   | 4   | 101231                | SCREW, 10-24 X 0.500 SST, PHILLIPS TRUSS HEAD           |
| 29   | 4   | 112781                | NUT, CAGE 3/8-16NC                                      |
| 31   | 1   | 114117                | CLOSURE, THERMAL SWITCH, OPENING, 1/2"                  |
| 32   | 1   | 23136                 | WASHER, FLAT, 3/8"ID, 7/8"OD, 1/16"THK, SST             |
| 34   | 1   | 1058501900            | HOSE, NYLON REINFORCED, 1/4" ID, 19" LG                 |
| 35   | 2   | 1073121               | CLAMP; HOSE; 1/4 ID; METAL TENSION BAND                 |
| 36   | 2   | KE604469              | HINGE, DOOR   |
| 37   | 1   | 102581                | BUSHING, SNAP-IN FOR 1 1/2 DIA HOLE                     |
| 38   | 2   | 02600                 | BUSHING, INSULATOR, 11/16 ID                            |
| 39   | A/R | 00944                 | TAPE, DUCT 3 IN X 60 YD SLVR CLOTH                      |
| 40   | A/R | 00934                 | SEALANT; PIPE DOPE ONE PINT CAN                         |
| 41   | A/R | 01205                 | ADHESIVE, LOCTITE, GREEN, 10ML, ITEM#29021, WICKING     |
| 42   | A/R | 107507                | ADHESIVE, LOCTITE, BLUE, THRD LK 242, 50ML, #24231      |
| 43   | A/R | 107034                | SEALANT, DOW CORNING, #736                              |
| 44   | 2   | KE604467              | HINGE, ANGLE  |
| 45   | 4   | 108644                | SCREW, CARRIAGE, 1/4-20x1/2, SST (RND HEAD, SQ NECK)    |
| 46   | 1   | 114256                | ASSY. BASE, HL, 21CGAS                                  |
| 48   | 1   | KE604449              | LABEL, ON/OFF   |
| 49   | 1   | 19993                 | SWITCH, ROCKER, ILLUMINATED MAINTAINED CONTACT          |
| 50   | 4   | KE604587              | EASY TIMER NUT  |
| 51   | 1   | KE004164              | EASY TIMER ASSY   |
| 52   | 1   | 101283                | STUD, WELD, 1/4-20 X 1/2, NO FLANGE, SST CD             |
| 53   | 1   | KE003929              | ASSEMBLY, DOOR STEAM CUTOFF SWITCH, COUNTERTOP STEAMERS |
| 54   | 1   | FA30505-1             | FLAT WASHER 1/4   |
| 55   | 1   | 14665                 | NUT, HEX, 1/4-20 LOCK, SST (NYLON INSERT)               |
| 56   | 4   | KE604586              | EASY TIMER SPACER                                       |
| 91   | 1   | 105901-1              | NAMEPLATE CLEVELAND LOGO                                |
| 92   | 1   | 104193<br>(not shown) | BODY INSULATION, S/C 5.1                                |

Assembly Number: 109641

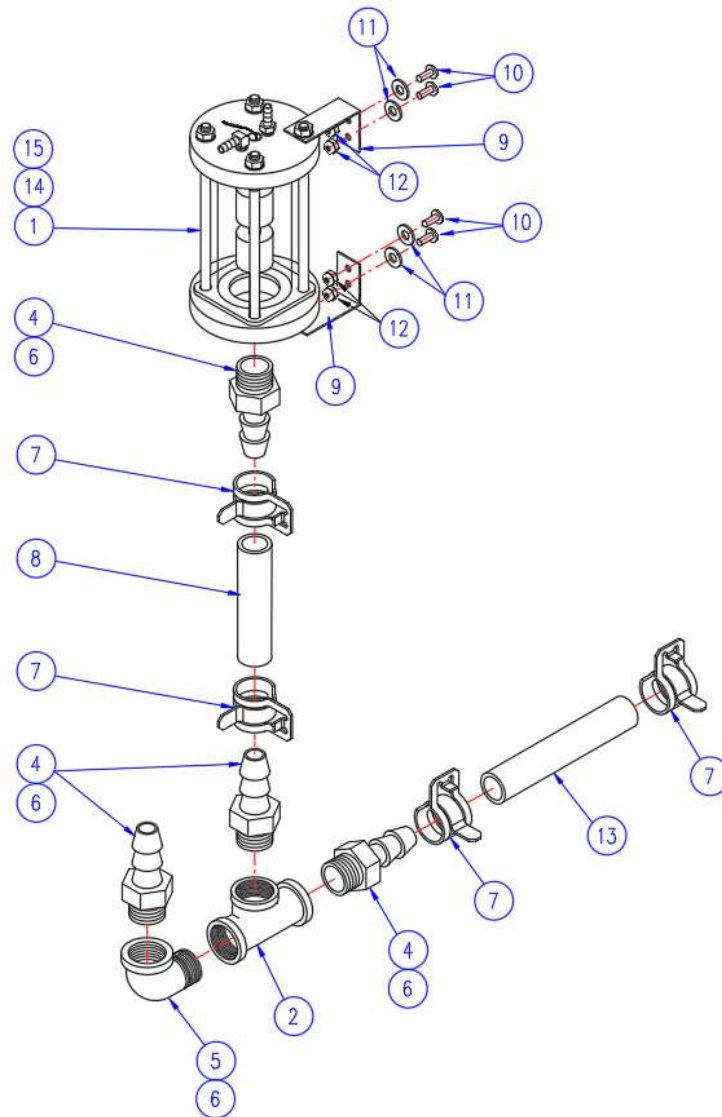
Description: Port Assy, Descaler



| Item | QTY | P/N     | Description                                       |
|------|-----|---------|---|
| 1    | 1   | 1009642 | FTG., DESCALER PORT                               |
| 2    | 1   | 108031  | CAP, HOSE NUT 3/4" HOSE THD.                      |
| 3    | 1   | 109646  | GASKET, DESCALER PORT                             |
| 4    | 1   | 109645  | WASHER, FLAT 0.890 ID X 1.500 OD X 0.090 THK, SST |
| 5    | 1   | 109644  | NUT, HEX JAM 7/8-14 BRASS                         |
| 6    | 1   | 108034  | WASHER, 3/4" HOSE                                 |

**Assembly Number: 106521**

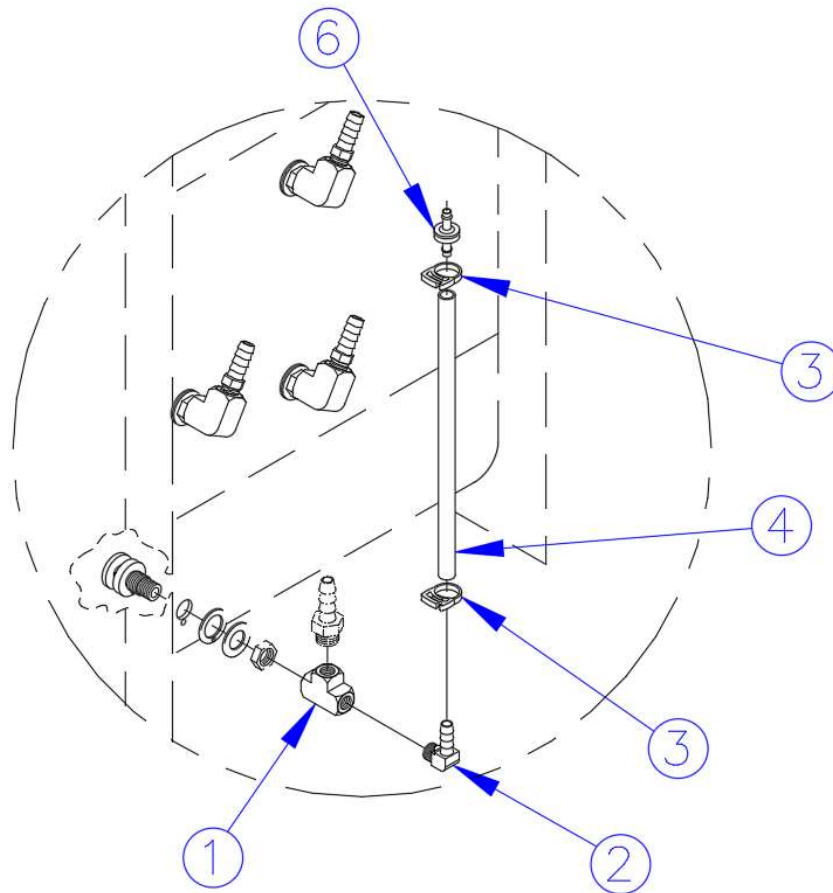
**Description: Float And Descaler Assembly**



| Item | QTY | P/N       | Description                                  |
|------|-----|-----------|--|
| 1    | 1   | 105877    | FLOAT ASSEMBLY, STEAMCRAFT                   |
| 2    | 1   | 20206     | TEE, 3/4, BRASS                              |
| 4    | 4   | 06240     | FITTING, 3/4 H X 3/4 MPT, BRASS              |
| 5    | 1   | 05231     | ELL, STREET, 90°, 3/4 BRASS                  |
| 6    | A/R | 00934     | SEALANT, PIPE DOPE                           |
| 7    | 4   | 107312    | CLAMP, HOSE, METAL TENSION, 1-1/8 OD HOSE    |
| 8    | 1   | 085110450 | HOSE, STEAM, WHITE EPDM, FDA 3/4 X 4.500 LG  |
| 9    | 2   | 106676    | BRACKET, TOP/BOT, FLOAT SUPPORT              |
| 10   | 4   | 19287     | SCREW, PAN HEAD 10-24 X 1/2, SST             |
| 11   | 4   | 23116     | WASHER                                       |
| 12   | 4   | 14692     | NUT, HEX LOCK ELASTIC #10-24                 |
| 13   | 1   | 085111000 | HOSE, STEAM, WHITE EPDM, FDA 3/4 X 10.000 LG |
| 14   | 3   | 20351     | TERMINAL                                     |
| 15   | 1   | 20352     | TERMINAL                                     |

Assembly Number: 1070591

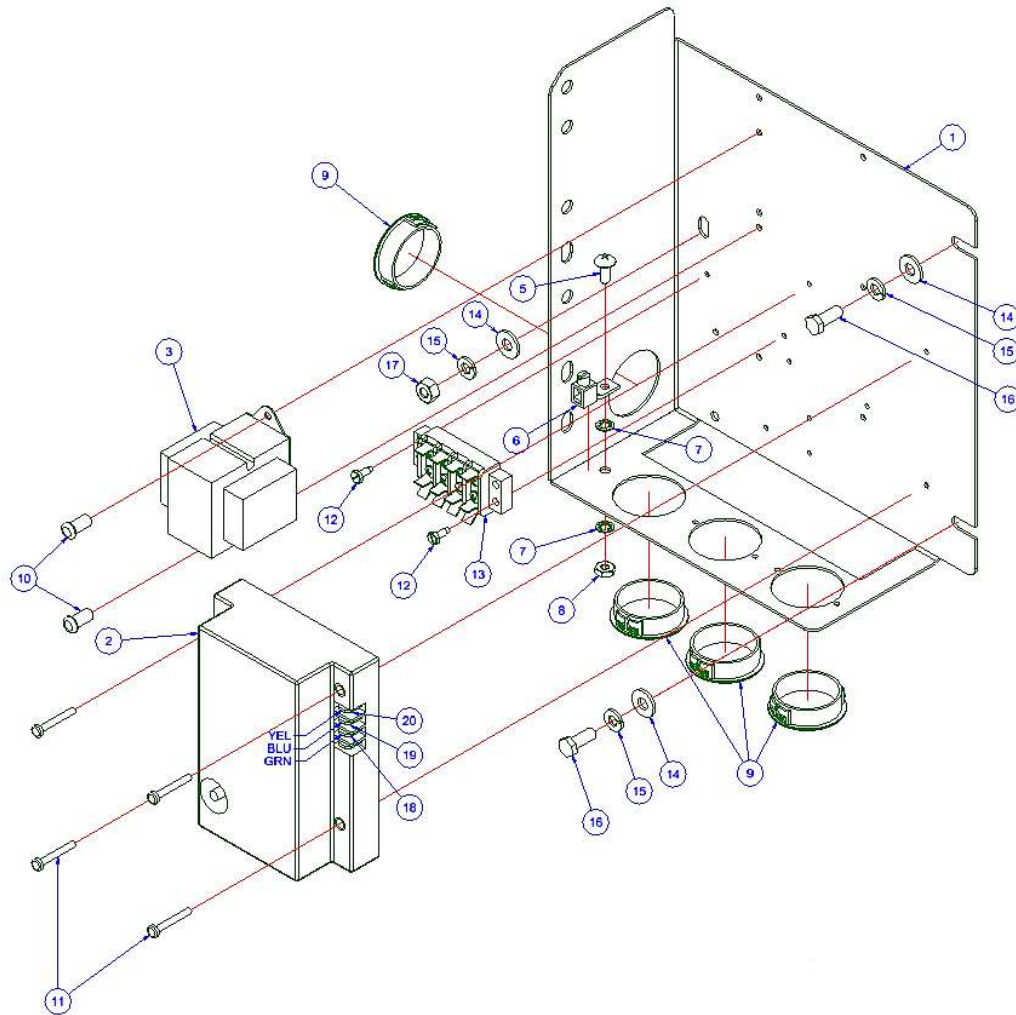
Description: Breather/Spray Nozzle Assembly



| Item | QTY | P/N        | Description                             |
|------|-----|------------|---|
| 1    | 1   | 20199      | TEE, 1/4, BRASS                         |
| 2    | 1   | 105786     | FITTING, HOSE BARB, 1/4 H x 1/4 MPT 90° |
| 3    | 2   | 104383     | CLAMP, HOSE, NYLON                      |
| 4    | 1   | 1043792600 | HOSE, SILICONE, 1/4 x 26.000            |
| 5    | 1   | 20451      | TIE, NYLON CABLE                        |
| 6    | 1   | 107032     | CHECK VALVE, PLASTIC DIAPHRAGM          |

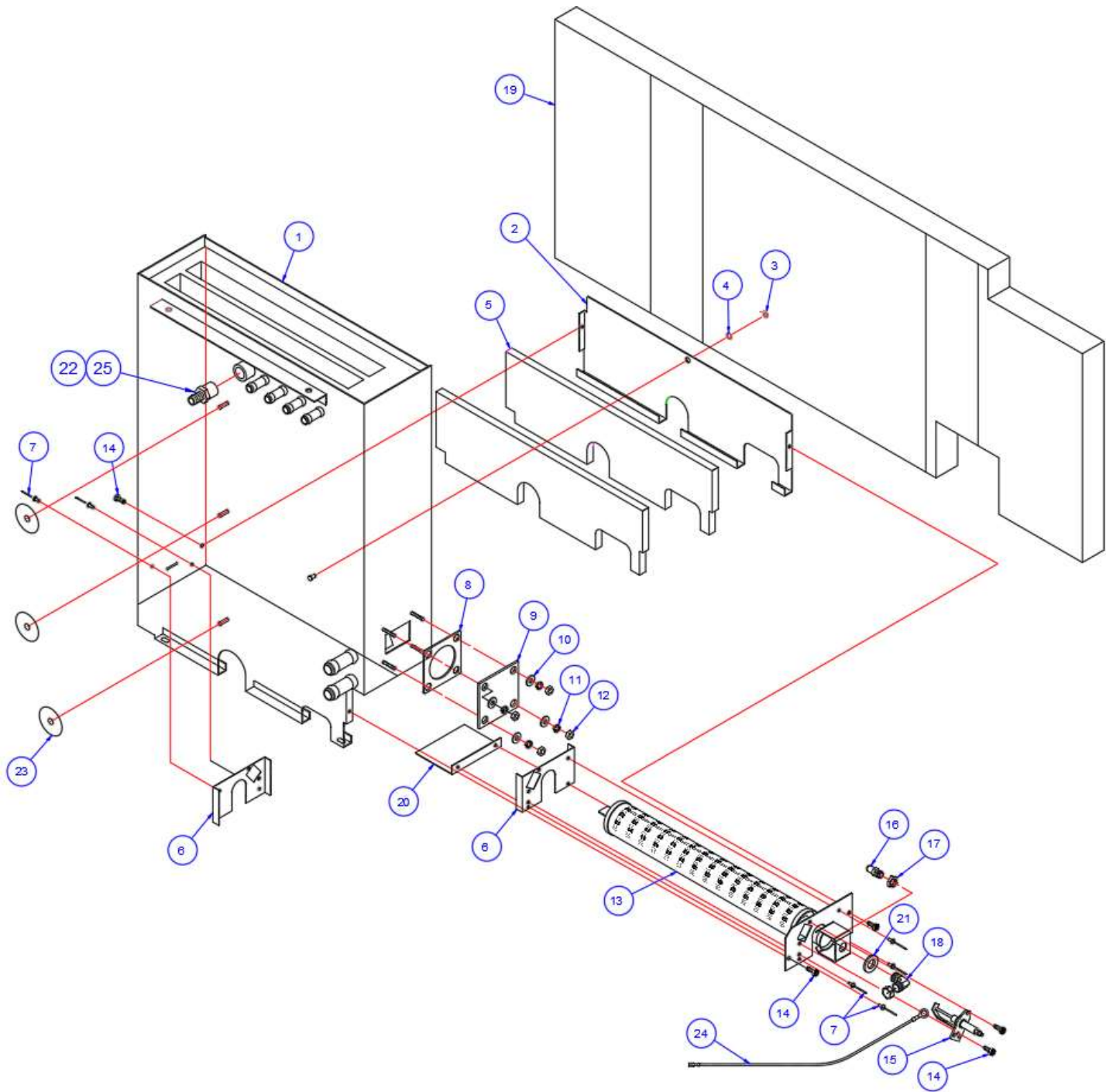
**Assembly Number: 106523**

**Description: Component Panel Assembly, HL SteamCraft Ultra 5, Gas**



| Item | QTY | P/N                      | Description   |
|------|-----|--------------------------|---|
| 1    | 1   | 112312                   | PANEL, COMPONENT, HV/GAS, S/C. 3. & 5 ELECT, 5 GAS HL |
| 2    | 1   | 03546                    | IGNITION, MODULE, CONTROL DIRECT SPARK, 4 SECOND      |
| 3    | 1   | 20528                    | TRANSFORMER, 120-24V, 40VA, 50/60 HZ, 9" LEADS        |
| 5    | 1   | 101231                   | SCREW, 10-24 X 0.500 SST, PHILLIPS TRUSS HEAD         |
| 6    | 1   | 20304                    | LUG, GROUND   |
| 7    | 2   | 23114                    | WASHER, LOCK, INTRNL. TOOTH #10 TYPE A OR B, SST      |
| 8    | 1   | 14659                    | NUT, HEX, #10-24, SST                                 |
| 9    | 4   | 102581                   | BUSHING, SNAP-IN FOR 1 1/2 DIA HOLE                   |
| 10   | 2   | 106123                   | SCREW, 10-32 X 1/2, TORX/ PAN HD, THRD FORMING, ZN    |
| 11   | 4   | 106128                   | SCREW, 6-32 X 1 TORX/PAN HD                           |
| 12   | 2   | 106754                   | SCREW, 6-32 X 3/8, HEX/SLOT-WASHER HD.                |
| 13   | 1   | 300759                   | TERMINAL BLOCK ASSY., 4 POLE                          |
| 14   | 3   | 23116                    | WASHER, FLAT, .281 ID x .625 OD x .065 THK, SST       |
| 15   | 3   | 23105                    | WASHER, LOCK, 1/4" KATLINK STYLE, SST                 |
| 16   | 2   | 19170                    | SCREW, HEX HD, 1/4-20x5/8, SST                        |
| 17   | 1   | 14618                    | NUT, HEX, 1/4-20, STAINLESS STEEL                     |
| 18   | 1   | 300259                   | WIRE ASSEMBLY (GRN)                                   |
| 19   | 1   | 1041302250               | WIRE ASSEMBLY (BLU)                                   |
| 20   | 1   | 1054402550               | WIRE ASSEMBLY (YEL)                                   |
| 21   | 1   | WHT106523<br>(not shown) | WIRING HARNESS, COMPONENT PANEL ASSEMBLY S/C ULTRA 5  |

**Assembly Number: 114226**  
**Description: Generator Assembly, HL**



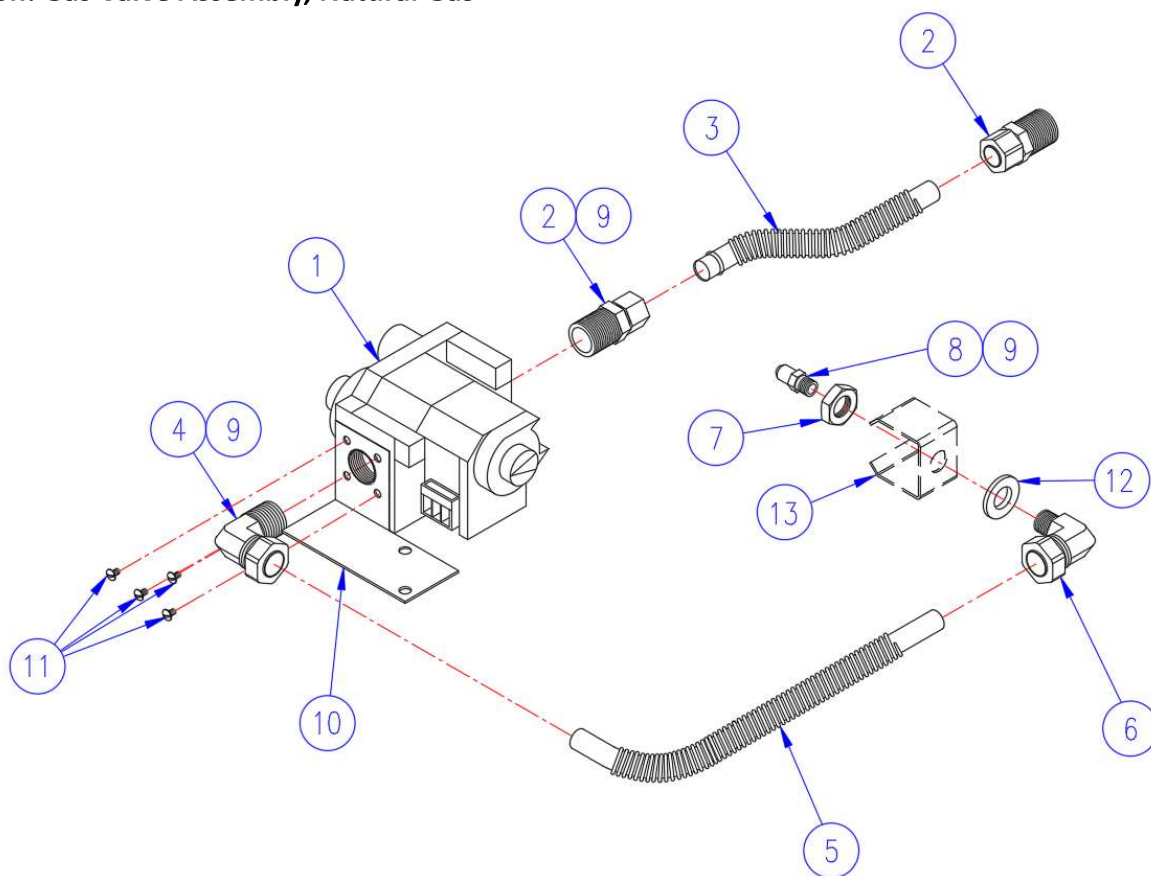
| Item | QTY | P/N    | Description  |
|------|-----|--------|--|
| 1    | 1   | 110195 | GENERATOR ASSY, WELD, SC 5.1 GAS                   |
| 2    | 1   | 106361 | BRACKET, REAR, INSULATION SUPPORT                  |
| 3    | 1   | 14659  | NUT, HEX, 10-24                                    |
| 4    | 1   | 23114  | WASHER, LOCK, INT. TOOTH, #10                      |
| 5    | 2   | 106360 | INSULATION, CUT, COMBUSTION CHAMBER                |
| 6    | 2   | 106362 | BRACKET, SIDE, INSULATION SUPPORT                  |
| 7    | 6   | 18358  | RIVET, 1/8 DIA., FLUSH BREAK, SST                  |
| 8    | 1   | 07128  | GASKET, HEATER                                     |
| 9    | 1   | 104614 | COVER, BLOCK-OFF                                   |
| 10   | 4   | 23116  | WASHER, FLAT, 1/4 ID x 5/8 OD                      |
| 11   | 4   | 23105  | WASHER, LOCK, 1/4, SST                             |
| 12   | 4   | 14618  | NUT, HEX, 1/4-20                                   |
| 13   | 1   | 106582 | BURNER, WELD ASSEMBLY                              |
| 14   | 5   | 106126 | SCREW, TORX, 8-32 x 1/2                            |
| 15   | 1   | 300092 | ELECTRODE, REVERSED, COMBINATION IGNITOR/SENSOR    |
| 16   | -   | -      | ORIFICE (SEE ORIFICE CHART).                       |
| 17   | 1   | 106460 | NUT, 1/4-18 NPT, BRASS                             |
| 18   | 1   | 106459 | FITTING, COMPRESSION, 1/2 T x 1/4-18 NPT, 90°, MOD |
| 19   | 1   | 106408 | INSULATION, GENERATOR WRAP                         |
| 20   | 1   | 111146 | BAFFLE, BURNER, 21CGA5                             |
| 21   | 1   | 100539 | WASHER, 0.563 ID                                   |
| 22   | 1   | 06237  | FTG, HOSE BARB, 1/2H x 1/2MPT, BRASS               |
| 23   | 3   | 101953 | CLIP, INSULATION RETAINER, 1-1/2, .105 HOLE, GALV. |
| 24   | 1   | 300260 | WIRE ASSY 15 IN, GRN, 18AWG, (IGNITER GROUND WIRE) |
| 25   | A/R | 00934  | SEALANT, PIPE DOPE ONE PINT CAN                    |

| ORIFICE CHART NATURAL GAS (REF) |          |     |                         |
|---------------------------------|----------|-----|-------------------------|
| Altitude                        | QTY      | P/N | Description             |
| 0-1999                          | 106402   | 1   | ORIFICE #21 DMS,21CGA5  |
| 2000-3999                       | 107530   | 1   | ORIFICE:#23 DMS 21CGA5  |
| 4000-4999                       | 10640224 | 1   | ORIFICE,#24DMS,21CGA5   |
| 5000-5999                       | 107534   | 1   | ORIFICE; #25 DMS 21CGA5 |
| 6000-6999                       | 10640226 | 1   | ORIFICE, #26 DRILL      |
| 7000-7999                       | 107531   | 1   | ORIFICE #27 DMS 21CGA5  |
| 8000-9999                       | 10640228 | 1   | ORIFICE, #28 DRILL      |
| 10000-11000                     | 10640229 | 1   | ORIFICE, #29 DRILL      |

| ORIFICE CHART LP GAS (REF) |           |     |                         |
|----------------------------|-----------|-----|-------------------------|
| Altitude                   | QTY       | P/N | Description             |
| 0-1999                     | 1064021   | 1   | ORIFICE #41 DMS         |
| 2000-4999                  | 107533    | 1   | ORIFICE #42 DMS 21CGA5  |
| 5000-6999                  | 107532    | 1   | ORIFICE #43 DMS 21CGA5  |
| 7000-8999                  | 106402144 | 1   | ORIFICE,#44 DMS,21CGA5  |
| 9000-9999                  | 106402145 | 1   | ORIFICE #45 DMS. 21CGA5 |
| 10000-11000                | 106402146 | 1   | ORIFICE #46 DMS 21CGA5  |
| 11000+                     | 106402147 | 1   | ORIFICE #47 DMS 21CGA5  |

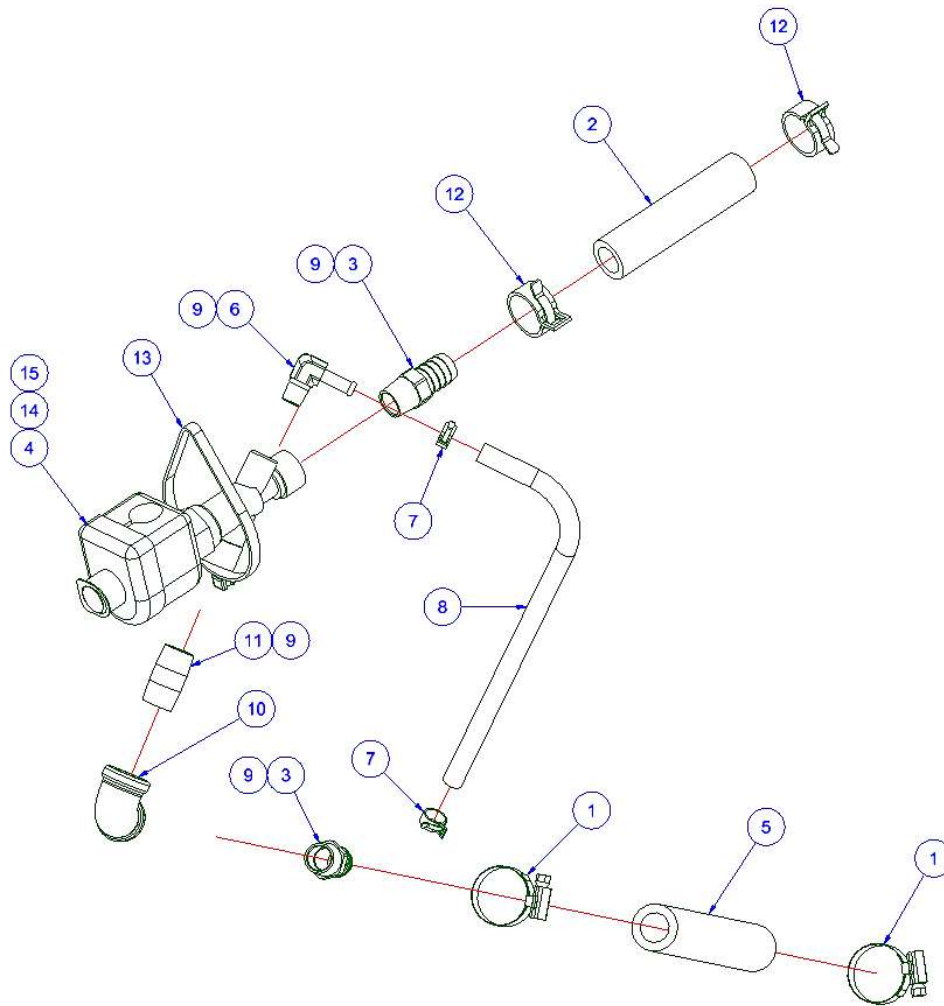
**Assembly Number: 106404 (NAT) & 1064041 (LP)**

**Description: Gas Valve Assembly, Natural Gas**



| Item | QTY | P/N               | Description                                   |
|------|-----|-------------------|---|
| 1    | 1   | 106400<br>1064001 | GAS VALVE (NAT)<br>GAS VALVE (LP)             |
| 2    | 2   | 06204             | FITTING, COMP. 1/2 T X 1/2 MPT, STR           |
| 3    | 1   | 111100            | GAS LINE, FLEXIBLE, 1/2 X 7 SST               |
| 4    | 1   | 06205             | FITTING, COMP, 1/2 T X 1/2 MPT, 90°           |
| 5    | 1   | 111101            | GAS LINE, FLEXIBLE, 1/2 x 13.000 SST          |
| 6    | 1   | 106459            | FITTING, COMP. 1/2 T X 1/4 NPT, 90°           |
| 7    | 1   | 106460            | NUT, 1/4 NPT, BRASS                           |
| 8    | -   | -                 | ORIFICE (SEE ORIFICE CHART).                  |
| 9    | A/R | 00934             | SEALANT, PIPE DOPE                            |
| 10   | 1   | 111099            | BRACKET, GAS VALVE MTG, 21CGA5                |
| 11   | 4   | 19156             | SCREW, ROUND HD SLOTTED 8-32 X 3/4, ZINC PLTD |
| 12   | 1   | 100539            | WASHER, 9/16 ID X 1 1/16 OD                   |
| 13   | -   | 106582            | BURNER, WELD ASSEMBLY, HL W/BRACKET           |
| 14   | 2   | 14672             | NUT, HEX, 10-32 LOCKING                       |

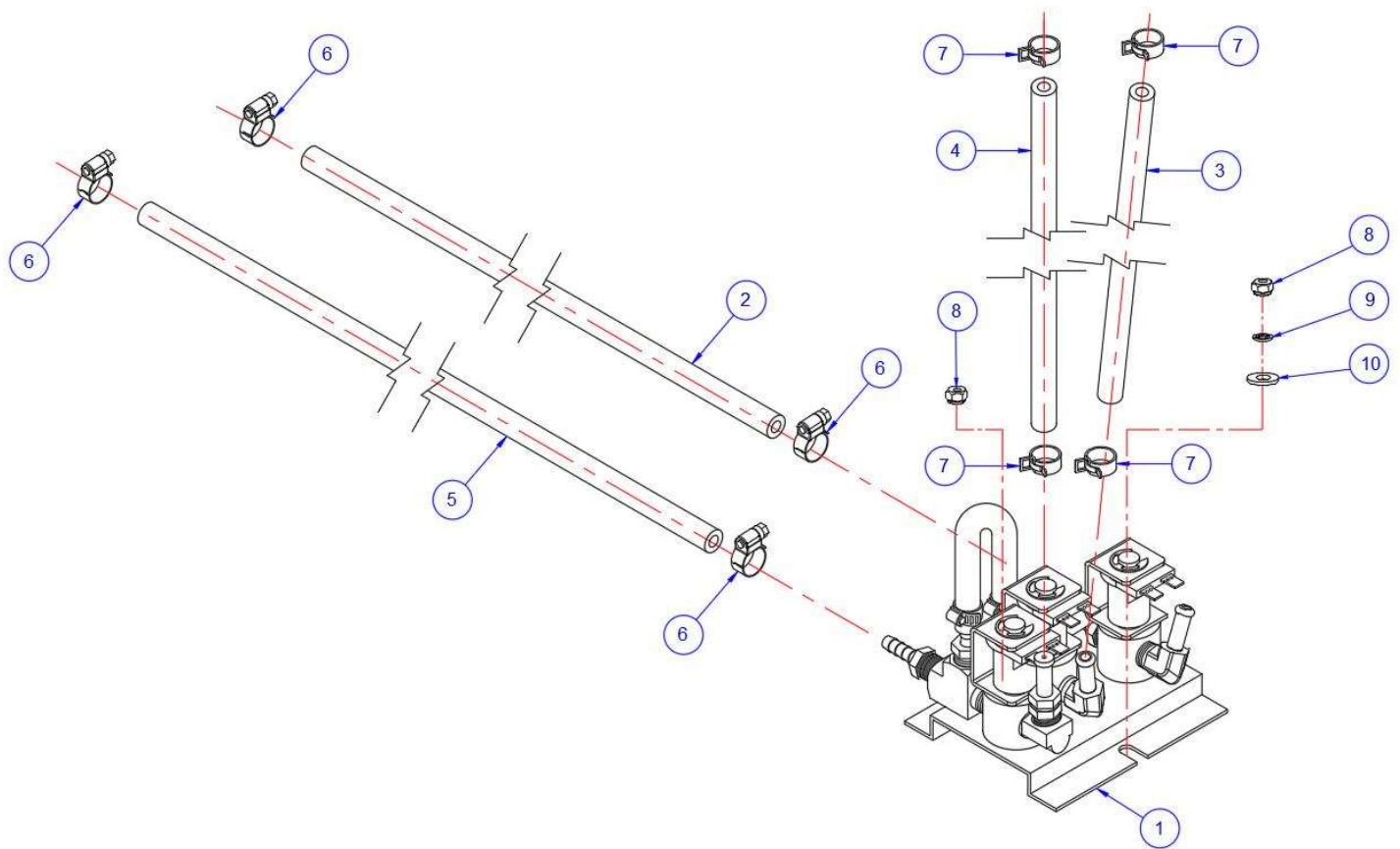
**Assembly Number: 1063842**  
**Description: Drain Valve Assembly, HL**



| Item | QTY | P/N        | Description                                  |
|------|-----|------------|--|
| 1    | 2   | 03204      | CLAMP, HOSE, WORM DRIVE 0.812 X 1.50 DIA     |
| 2    | 1   | 1060930450 | HOSE, SILICONE 3/4" ID X 4.500 LG.           |
| 3    | 2   | 06241      | FTG, HOSE BARB, 3/4Hx1/2MPT, BR.             |
| 4    | 1   | 22221      | VALVE, SOLENOID, 1/2" DRAIN, 18IN LEAD       |
| 5    | 1   | 085111000  | HOSE, WHITE EPDM, 3/4" ID X 10.000" LG       |
| 6    | 1   | 111289     | FITTING, ELBOW, 90 1/4" HOSE X 1/4" NPT MALE |
| 7    | 2   | 1073121    | CLAMP; HOSE; 1/4 ID; METAL TENSION BAND      |
| 8    | 1   | 1058501200 | HOSE, NT-80, 1/4 X 1/2 X 12" LG              |
| 9    | A/R | 00934      | SEALANT, RECTORSEAL                          |
| 10   | 1   | 05250      | ELBOW, 90°, 1/2 NPT, BRASS                   |
| 11   | 1   | 14326      | NIPPLE .50NPTx 1.50SCH 40 BRASS TBE          |
| 12   | 2   | 107312     | CLAMP, HOSE, 1 1/8" OD, METAL TENSION BAND   |
| 13   | 1   | 300840     | WIRE TIE, RELEASABLE, NYLON, 14.500 LG       |
| 14   | 2   | 20351      | TERMINAL                                     |
| 15   | 1   | 20336      | TERMINAL, RING, #10 STUD                     |

**Assembly Number: 114270**

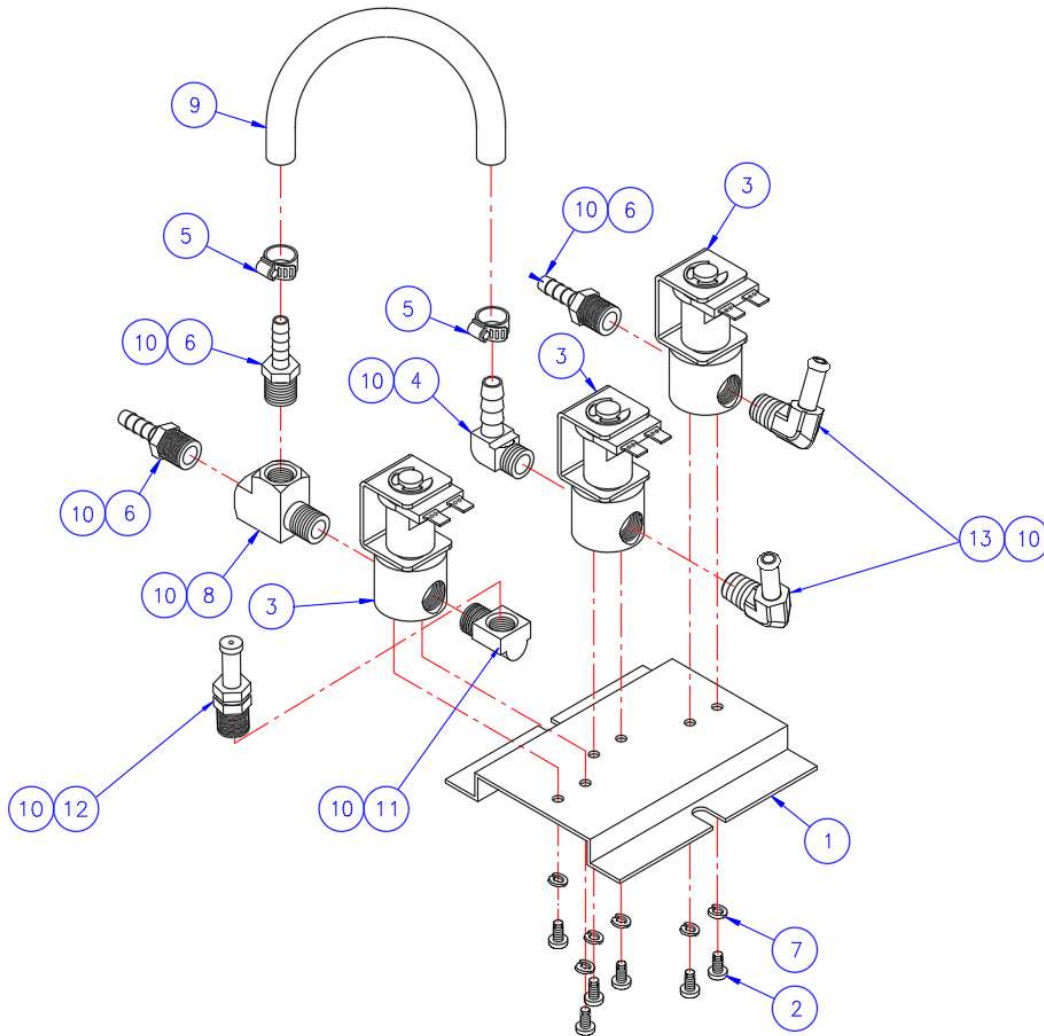
**Description: Valve/Hose Assembly, HL**



| Item | QTY | P/N        | Description                                  |
|------|-----|------------|--|
| 1    | 1   | 1065222    | VALVE ASSY, INLET, HL                        |
| 2    | 1   | 1058501400 | HOSE, SILICONE REINFORCED, 1/4 ID X 14.00 LG |
| 3    | 1   | 1058502100 | HOSE, SILICONE REINFORCED, 1/4 ID X 21.00 LG |
| 4    | 1   | 1058502400 | HOSE, SILICONE REINFORCED, 1/4 ID X 24.00 LG |
| 5    | 1   | 1058501700 | HOSE, SILICONE REINFORCED, 1/4 ID X 17.00 LG |
| 6    | 4   | 106526     | CLAMP, HOSE, WROM DR, 1/4-5/8, 5/16W         |
| 7    | 4   | 1073121    | CLAMP, HOSE, 1/4 METAL TENSION               |
| 8    | 2   | 14672      | NUT, LOCK, 10-32                             |
| 9    | 1   | 23114      | WASHER, LOCK                                 |
| 10   | 1   | 23116      | WASHER, FLAT                                 |

**Assembly Number: 1065222**

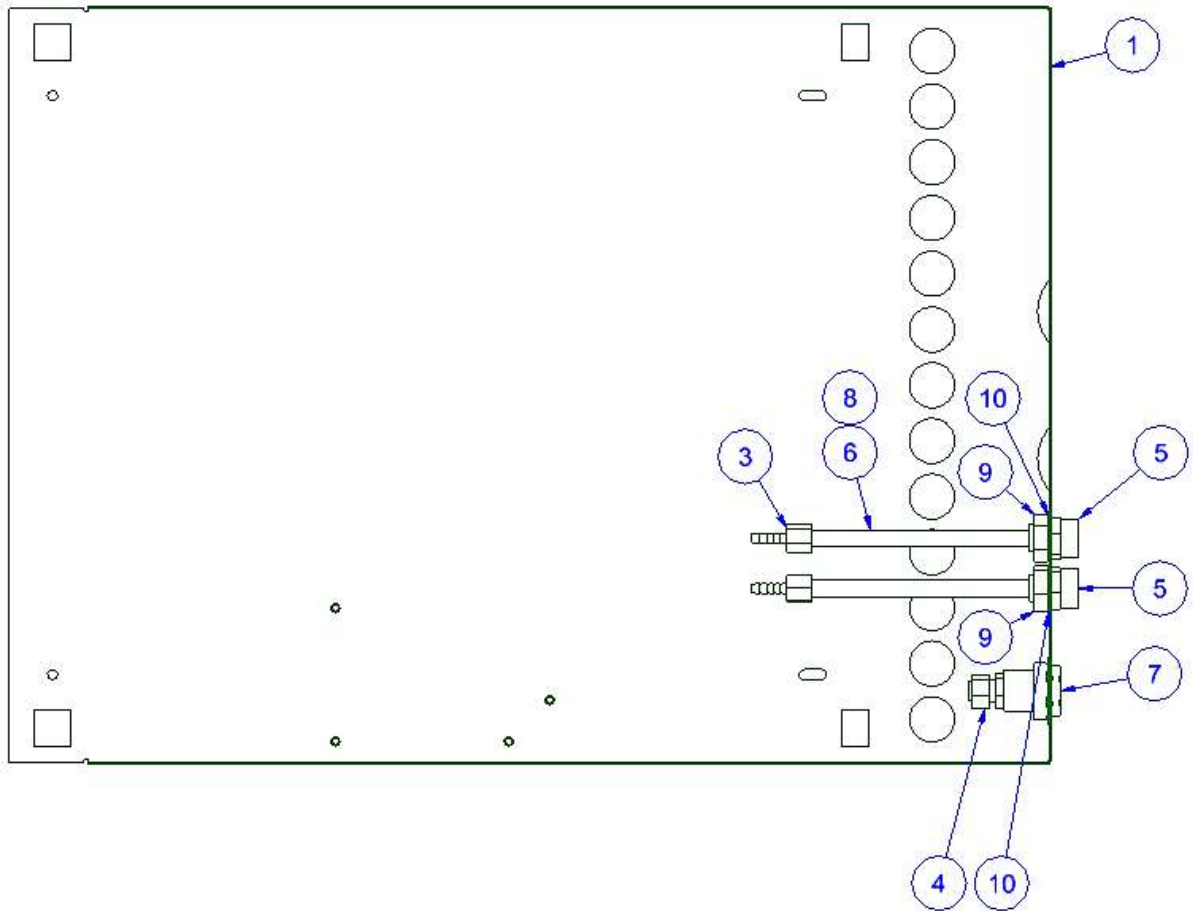
**Description: Valve Assembly, Water Inlet**



| Item | QTY | P/N        | Description                                    |
|------|-----|------------|--|
| 1    | 1   | 104284     | BRACKET, MOUNTING                              |
| 2    | 6   | 19114      | SCREW, TRUSS HD, #8-32 X 0.375, PHLL DRV. PLTD |
| 3    | 3   | 22218      | SOLENOID VALVE                                 |
| 4    | 1   | 105786     | FITTING, HOSE, 1/4 H X 1/4 MPT, 90°            |
| 5    | 2   | 106526     | CLAMP, HOSE, 3/8 X 5/8 X 5/16 W                |
| 6    | 3   | 104381     | FITTING, HOSE, 1/4 H X 1/4 MPT                 |
| 7    | 6   | 102641     | WASHER, SPLIT LOCK, #8 SST                     |
| 8    | 1   | 106663     | FITTING, MALE RUN, 1/4 MPT X 1/4 FPT           |
| 9    | 1   | 1058500600 | TUBING, NT-80, 1/4 X 6                         |
| 10   | A/R | 00934      | SEALANT, PIPE DOPE                             |
| 11   | 1   | 05235      | ELBOW, STREET 1/4 X 90° BRASS                  |
| 12   | 1   | 1098651    | FLOW RESTRICTOR, 0.062, FOR 1/4 ID HOSE        |
| 13   | 2   | 111289     | FITTING, ELBOW, 90 1/4" HOSE X 1/4" NPT MALE   |

**Assembly Number: 114256**

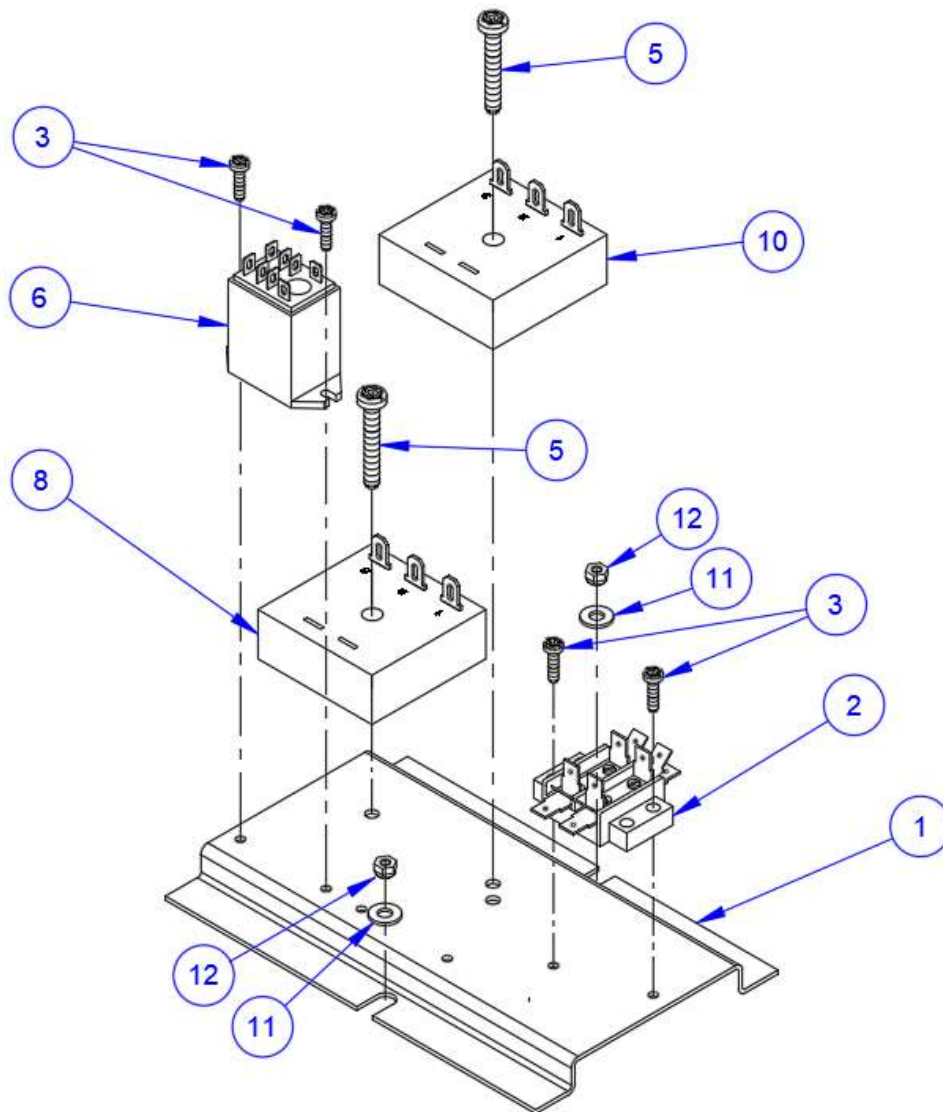
**Description: Base Assembly, HL**



| Item | QTY | P/N    | Description   |
|------|-----|--------|---|
| 1    | 1   | 106439 | PAN, BASE, WELD ASSY., S/C 5.1GAS                   |
| 3    | 2   | 106466 | FTG, HOSE, 1/4"H X 1/4" FPT, BR, STR                |
| 4    | 1   | 06204  | FTG., COMP. 1/2Tx1/2MPT PARKER HANIFIN 68CA-8-8     |
| 5    | 2   | 115243 | BULKHEAD FITTING, 3/4-16 X 3/4-11.5 GHT GARDEN HOSE |
| 6    | 2   | 106457 | NIPPLE, .25 X 7", BRASS                             |
| 7    | 1   | 106157 | FITTING, BULKHEAD, 1/2NPT FOR 1 1/8" ID OPENING     |
| 8    | A/R | 108889 | TEFLON TAPE   |
| 9    | 2   | 115258 | NUT, HEX, JAM, 3/4-16, BRASS                        |
| 10   | 2   | 115259 | WASHER, LOCK, 3/4", ZINC, INTERNAL TOOTH            |

**Assembly Number: 106760**

**Description: Heat Standby 3 Minute Timer Blowdown Assembly, S/C 5 Gas**

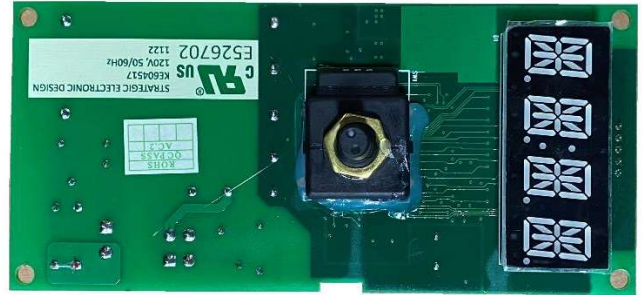


| Item | QTY | P/N                      | Description                            |
|------|-----|--------------------------|--|
| 1    | 1   | 106306                   | BRACKET, OPTION PLATE                  |
| 2    | 1   | 44168                    | TERMINAL, BLOCK ASM, 2 POLE            |
| 3    | 4   | 106127                   | SCREW, TORX/SLOT #6-32 X .500 LG       |
| 5    | 2   | 106124                   | SCREW, TORX/SLOT #10-32 X 1.000 LG.    |
| 6    | 1   | 105966                   | RELAY, 120V, DPDT                      |
| 8    | 1   | 106580                   | TIMER, 20 SEC ON, 6 MIN, OFF           |
| 10   | 1   | 20478                    | TIMER, SOLID STATE, INTERVAL 3 MINUTES |
| 11   | 2   | 23116                    | WASHER, FLAT                           |
| 12   | 2   | 14692                    | NUT, LOCK 10-24                        |
| 13   | 1   | WHT106760<br>(not shown) | WIRING HARNESS ASSEMBLY                |

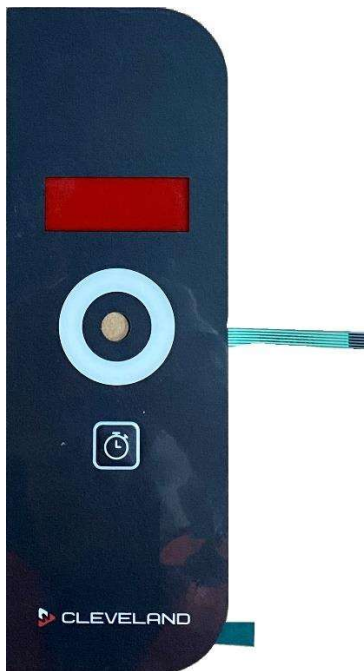
**Assembly Number: KE004164**  
**Description: EasyTimer Assembly**



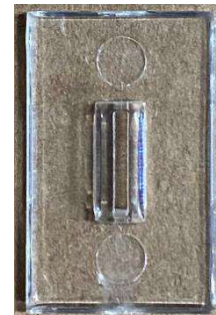
KE604176 EasyTimer Control/Timer Knob



KE604517 EasyTimer PCB

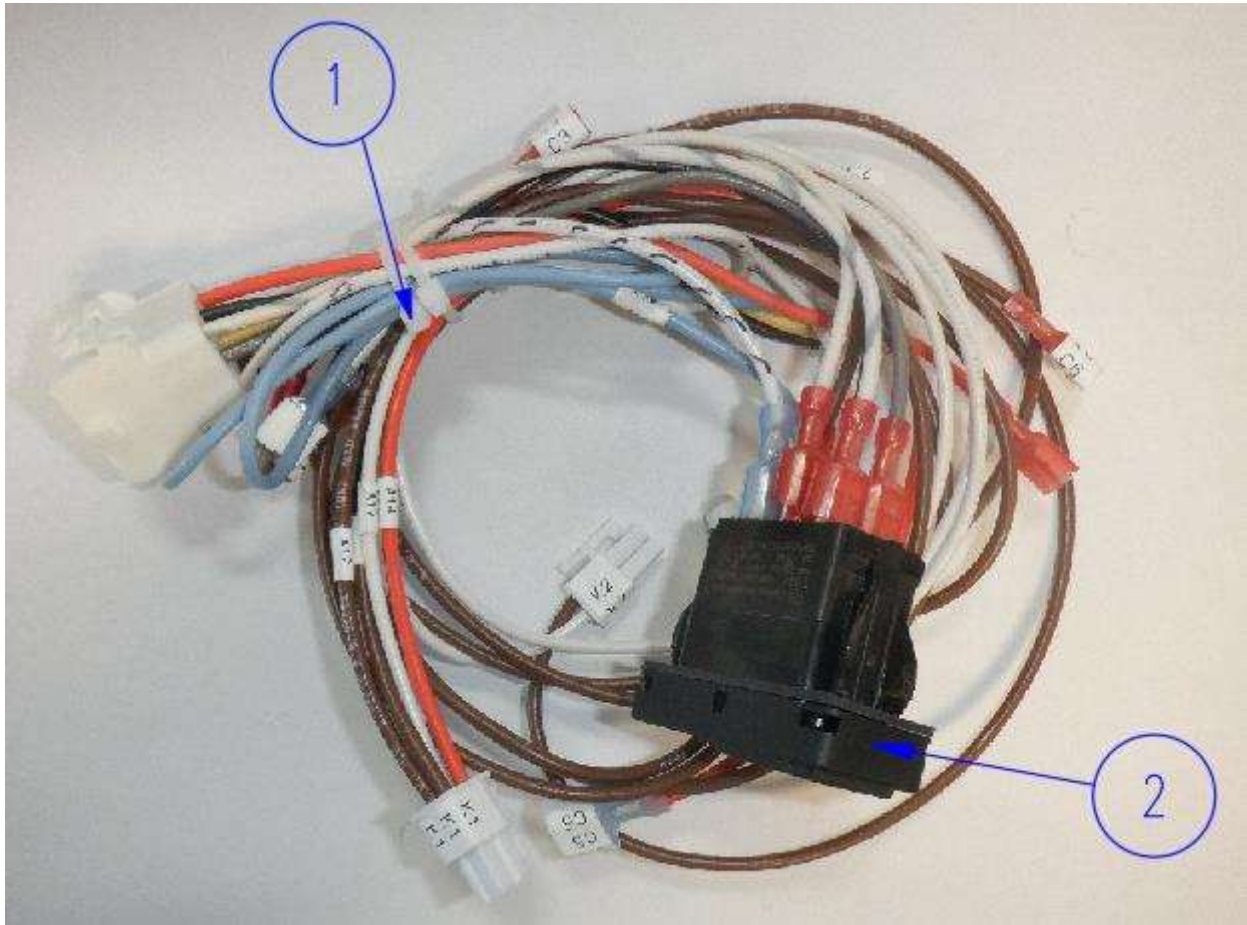


KE604518 EasyTimer Overlay



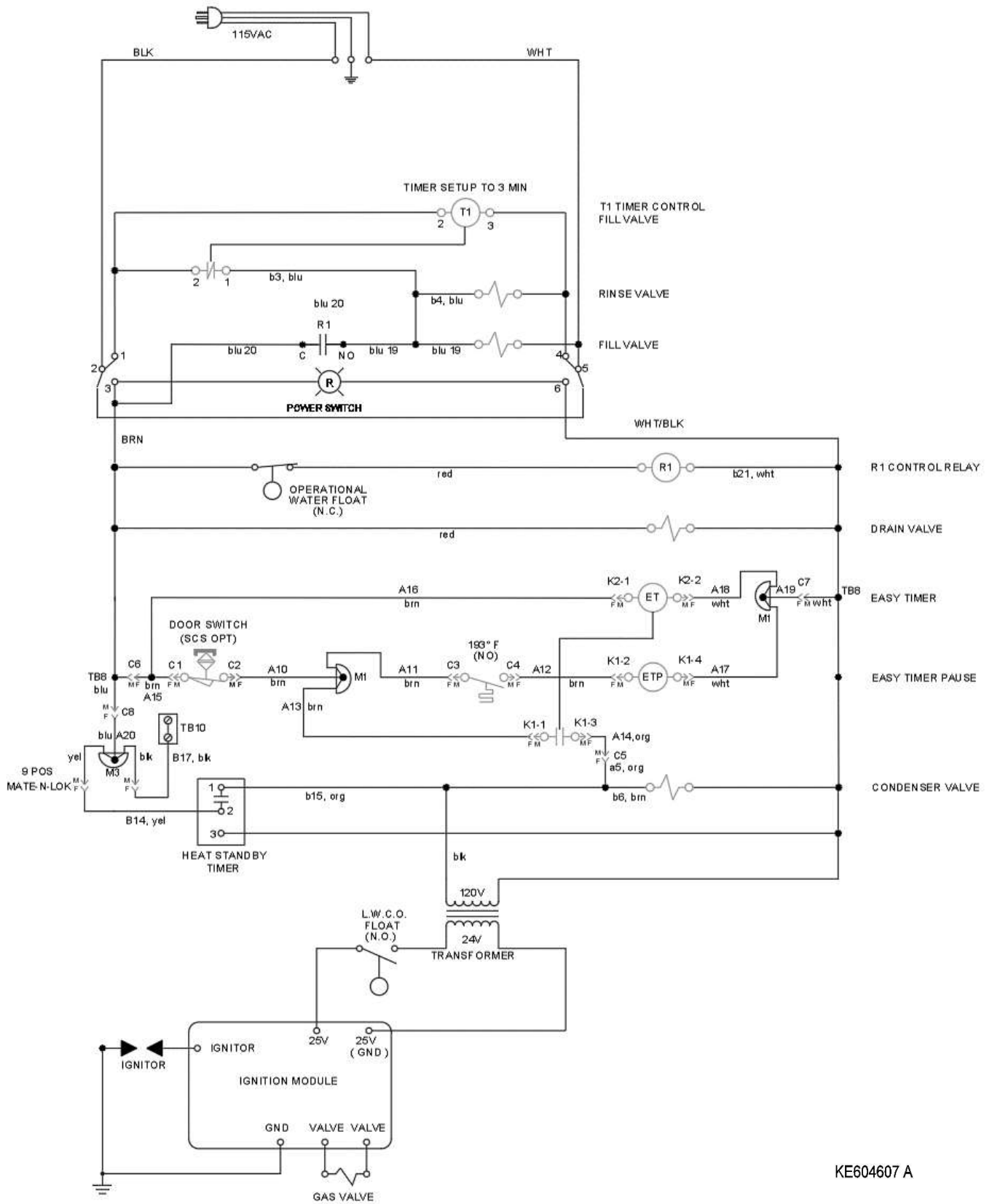
KE604710 EasyTimer Plastic Insert

**Assembly Number: CKE604617**  
**Description: Power Wiring Harness**



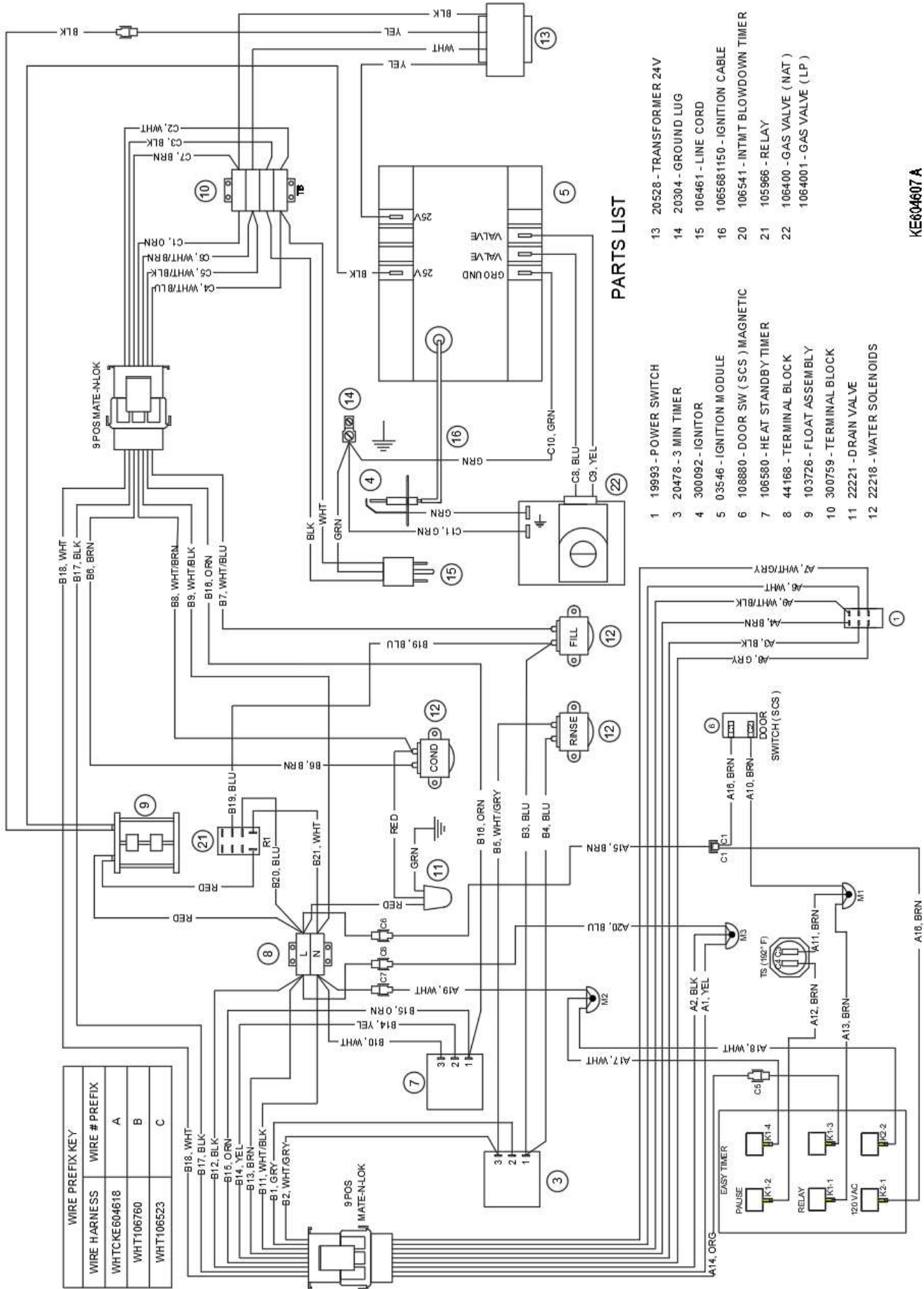
| Item | QTY | P/N          | Description                                   |
|------|-----|--------------|---|
| 1    | 1   | WHTCKE604617 | WIRING HARNESS EASYTIMER 21CGA5               |
| 2    | 1   | 19993        | SWITCH, ROCKER ILLUMINATED MAINTAINED CONTACT |

# STEAMCRAFT 5.1 GAS w/EASY TIMER



KE604607 A

# STEAMCRAFT 5.1 GAS WEASY TIMER



| WIRE PREFIX KEY | WIRE # PREFIX |
|-----------------|---------------|
| WHTC KE604618   | A             |
| WHT106760       | B             |
| WHT106523       | C             |

## PARTS LIST

- 1 19993 - POWER SWITCH
- 3 20478 - 3 MIN TIMER
- 4 300092 - IGNITOR
- 5 03546 - IGNITION MODULE
- 6 108880 - DOOR SW (SCS ) MAGNETIC
- 7 106580 - HEAT STANDBY TIMER
- 8 44168 - TERMINAL BLOCK
- 9 103726 - FLOAT ASSEMBLY
- 10 300759 - TERMINAL BLOCK
- 11 22221 - DRAIN VALVE
- 12 22218 - WATER SOLENOIDS
- 13 20528 - TRANSFORMER 24V
- 14 20304 - GROUND LUG
- 15 106461 - LINE CORD
- 16 1065681150 - IGNITION CABLE
- 20 106541 - INTMT BLOWDOWN TIMER
- 21 105966 - RELAY
- 22 106400 - GAS VALVE ( NAT )
- 1064001 - GAS VALVE ( LP )

KE604607 A

# Cleveland

## Service/Parts:

1-844-724-2273

US: Press #4 after prompt to be directed to Technical Services. Press #2 after prompt to be directed to Cleveland.

Canada: Press #1 after prompt to be directed to service in Canada.

---

Every new piece of Welbilt Foodservice equipment comes with KitchenCare® and you choose the level of service that meets your operational needs from one restaurant to multiple locations

**StarCare** – Warranty & lifetime service, certified OEM parts, global parts inventory, performance audited

**ExtraCare** – CareCode, 24/7 Support, online/mobile product information

**LifeCare** – Install & equipment orientation, planned maintenance, KitchenConnect™, MenuConnect®

**Talk with KitchenCare®** • 1-844-724-CARE • [www.mtwkitchenare.com](http://www.mtwkitchenare.com)



To learn how Welbilt Foodservice and its leading brands can equip you, visit our global web site at [www.welbilt.com](http://www.welbilt.com), then discover the regional or local resources available to you.

©2016 Welbilt Foodservice except where explicitly stated otherwise. All rights reserved. Continuing product improvement may necessitate change of specifications without notice