

# SteamChef

# Cleveland

## Electric Convection Steamers with Easy Timer

---

### Parts Manual

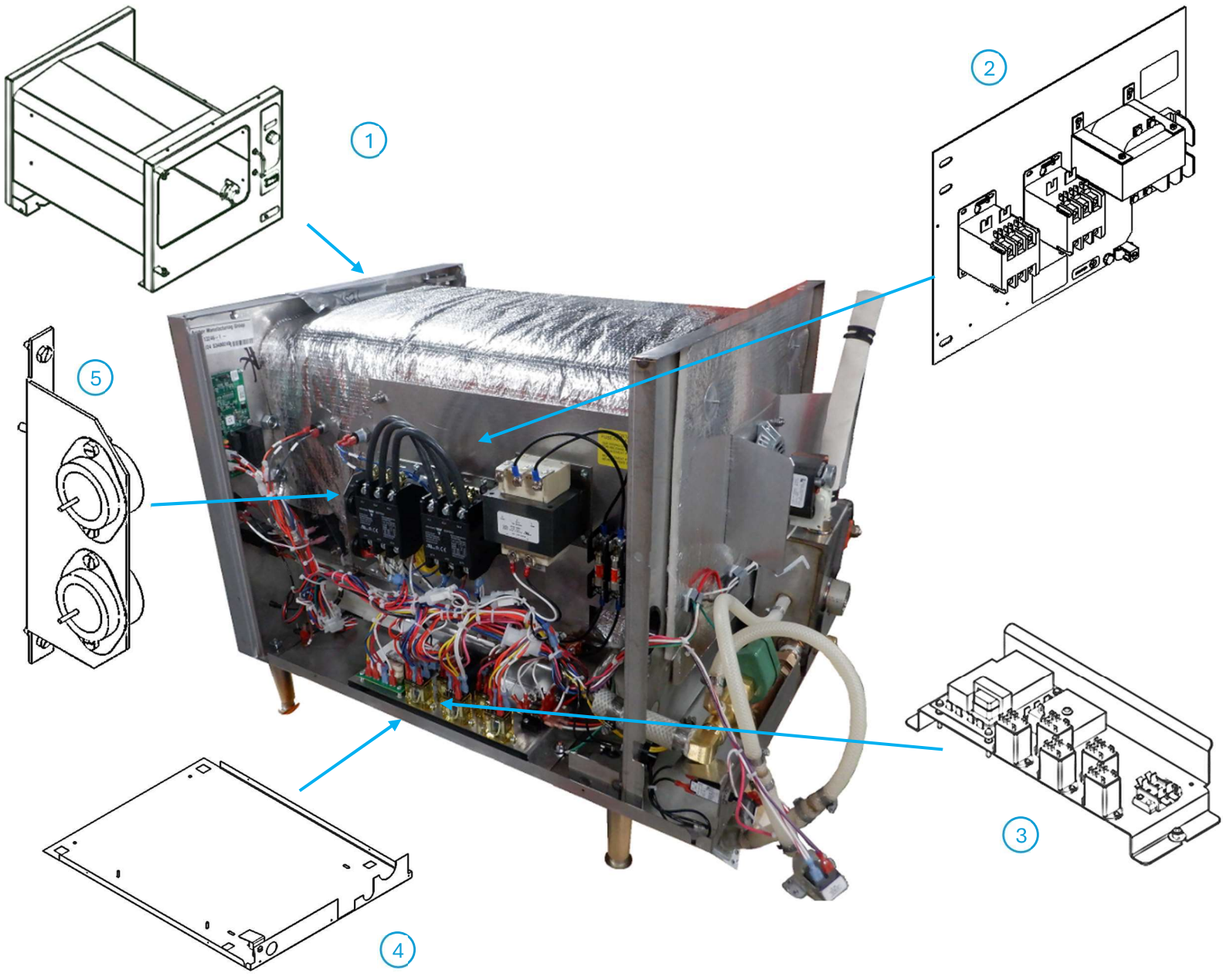
#### MODELS:

22CET3.1

22CET6.1

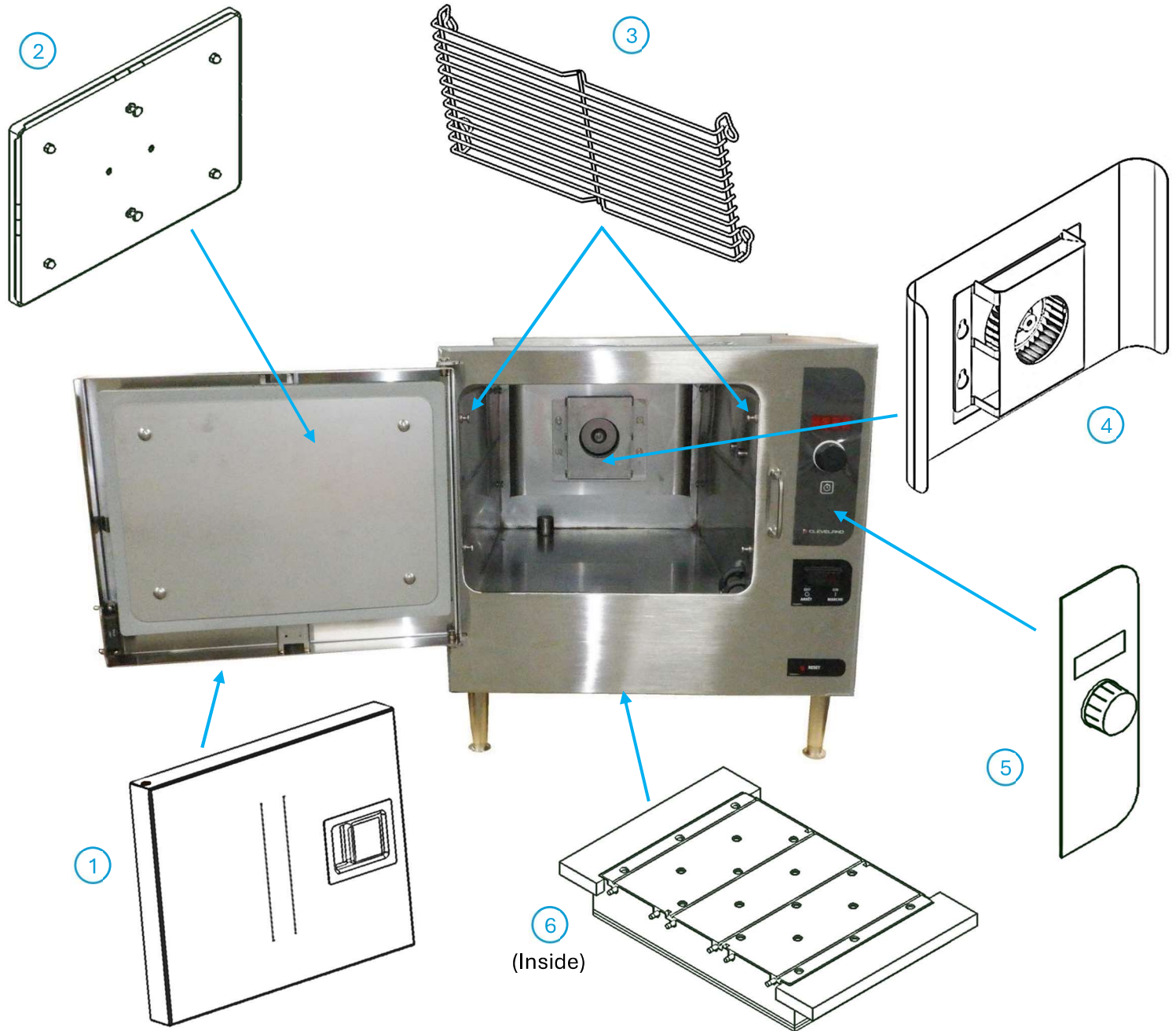


**Description: General Body Assembly 1**



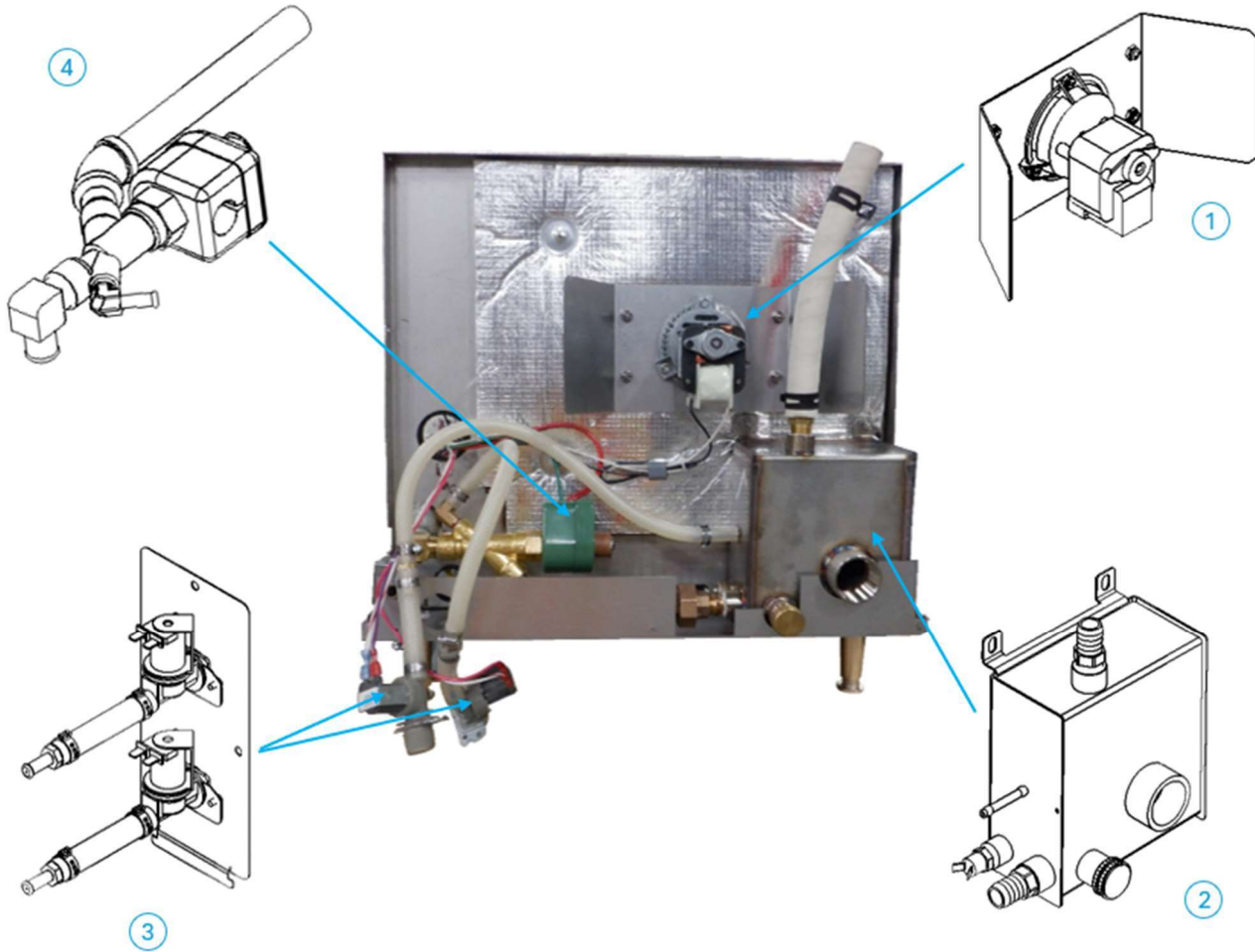
Item	Part Number		Description
	Model: 22CET3.1	Model: 22CET6.1	
1	113910-1	113912-1	Body Assembly
2	300763 (1 Phase) 300768 (3 Phase)	300763 (1 Phase) 300768 (3 Phase)	Main Control Panel Assembly
3	TKE604714	TKE604714	Side Control Panel Assembly
4	113915	113915	Base Pan Kit
5	300944	300944	HI Limit – Temp Reg Assembly

**Description: General Body Assembly 2**



Item	Part Number		Description
	Model: 22CET3.1	Model: 22CET6.1	
1	113933	113935	Outer Door Assembly
2	104101	1042021	Inner Door Assembly
3	41423	110832	Rack Assembly

**Description: General Body Assembly 3**

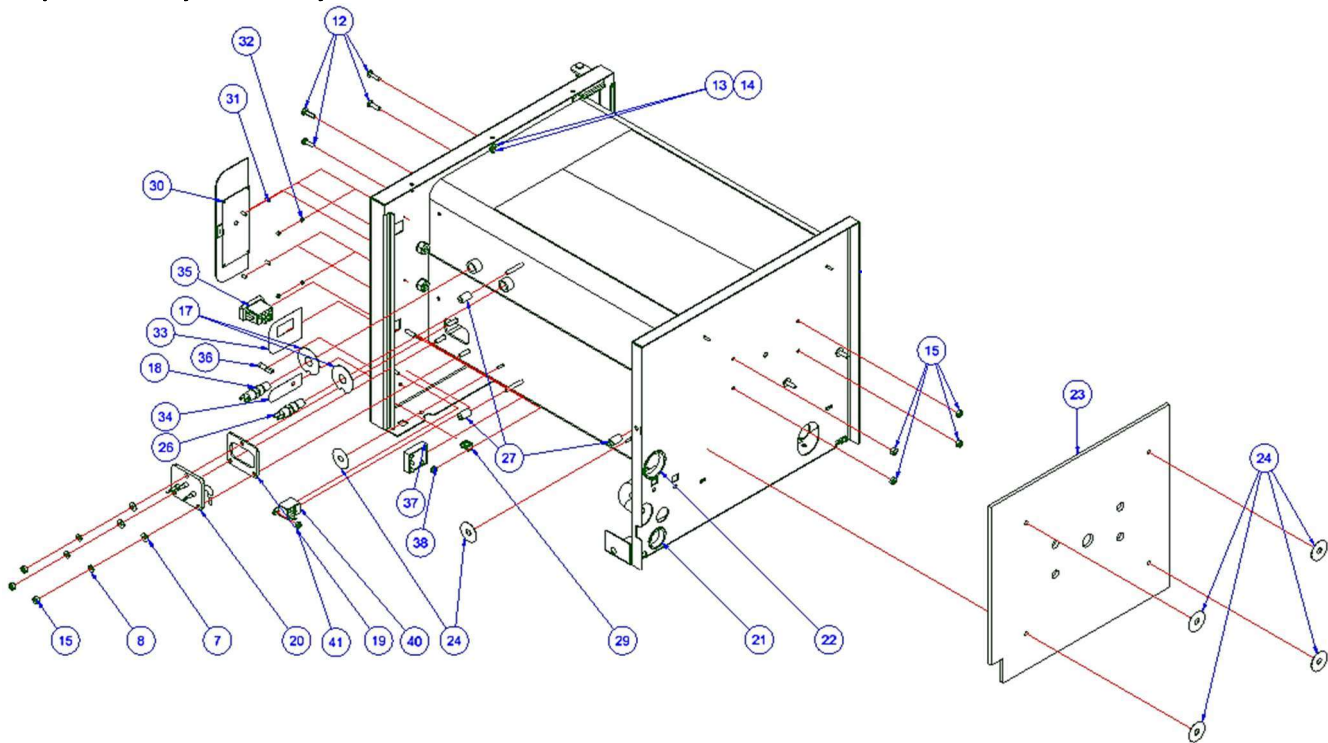


4	113901	113914	Fan/Guard Assembly
5	KE004164	KE004164	Easy Timer Assembly
6	113905	113905	Heater Block, 220V
	113907	113907	Heater Block, 480V

Item	Part Number		Description
	Model: 22CET3.1	Model: 22CET6.1	
1	113902	113902	Fan Assembly
2	113895 (HL) 113896 (HR)	113895 (HL) 113896 (HR)	Condenser Box Assembly
3	112904	112904	Water Supply Assembly
4	KE004247 (HL) KE004248 (HR)	KE004247 (HL) KE004248 (HR)	Drain/Power Piping Assembly

**Part Number: 113910-1**

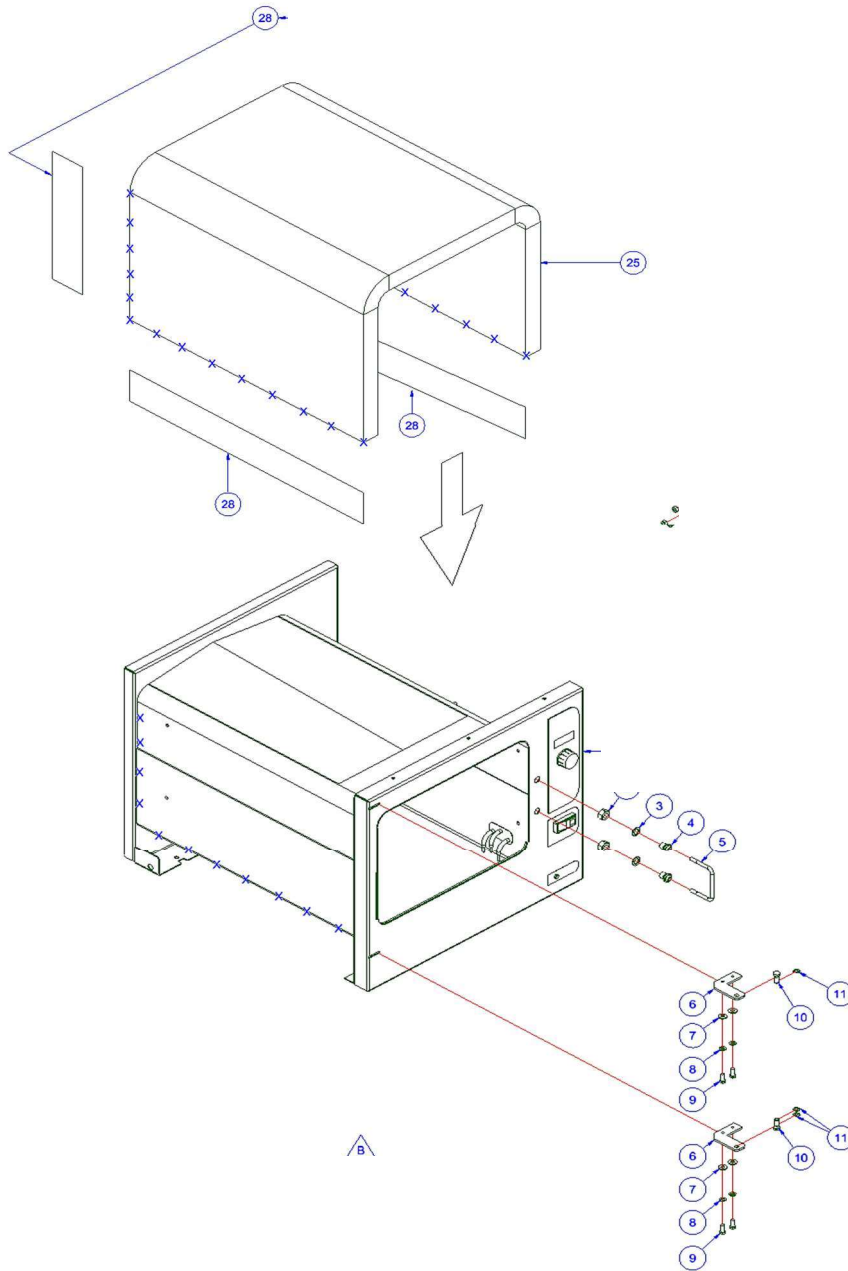
**Description: Body Assembly, 22CET3.1**



Item	Qty	Part No.	Description
7	9	23116	WASHER, FLAT, .281 ID x.625 OD x .065 THK, SST
8	7	23105	WASHER, LOCK, 1/4" KATLINK STYLE, SST
9	4	19170	SCREW, HEX HD, 1/4-20x5/8, SST
12	4	111290	SCREW, SHOULDER, 1/4-20 W/FLAT, FAN GUARD AND MOTOR SUPPORT, 316L SST
13	3	101655	WASHER, FLAT, #10, SST
14	3	14672	NUT, HEX, 10-32, ELASTIC LOCK, ZINC PLTD
15	7	14618	NUT, HEX, 1/4-20, STAINLESS STEEL
17	2	111780	WASHER, RETAINER, INSULATION
18	1	19972	SWITCH, THERMAL CLOSE 193 DEG. F
19	1	112517	GASKET,CHEF PROBE,1 PIECE,MOLDED
20	1	300688	MOLDED PROBE, 3 ELECTRODES
21	1	102581	BUSHING, SNAP-IN FOR 1 1/2 DIA HOLE
22	1	110229	BUSHING, SNAP-IN FOR 2" DIA HOLE
23	1	112894	INSULATION, REAR, CHEF 3.1, HL ENERGY STAR UNIT
24	6	101953	CLIP, INSULATION RETAINER, 1-1/2, .105 HOLE, GALV.
26	-	109617	THERMOSTAT, 205 DEG. F.
27	3	19555	SPACER,1/4" I.D. X 1/2 O.D.
29	4	112781	NUT, CAGE 3/8-16NC
30	1	KE004164	EASY TIMER ASSEMBLY
31	4	KE604586	EASY TIMER SPACER
32	4	KE604587	EASY TIMER NUT
33	1	KE604449	LABEL, ON/ OFF
34	1	KE604584	LABEL. RESET
35	1	19993	SWITCH, ROCKER ILLUMINATED MAINTAINED CONTACT
36	1	12159	LIGHT, INDICATOR, NEON, RED, 7" MIN LEAD LENGTH
37	1	108880	SWITCH, DOOR STEAM CUTOFF
38	1	101873	NUT, HEX 1/4-20 THIN LOCK, ZINC PLTD. STEEL
40	1	41350	BUZZER, ASSY, CONTINUOUS DUTY, 120VAC, 50-60HZ
41	1	14692	NUT, HEX, 10-24, ELASTIC LOCK, ZINC PLTD, FASTENER

**Part Number: 113910-1**

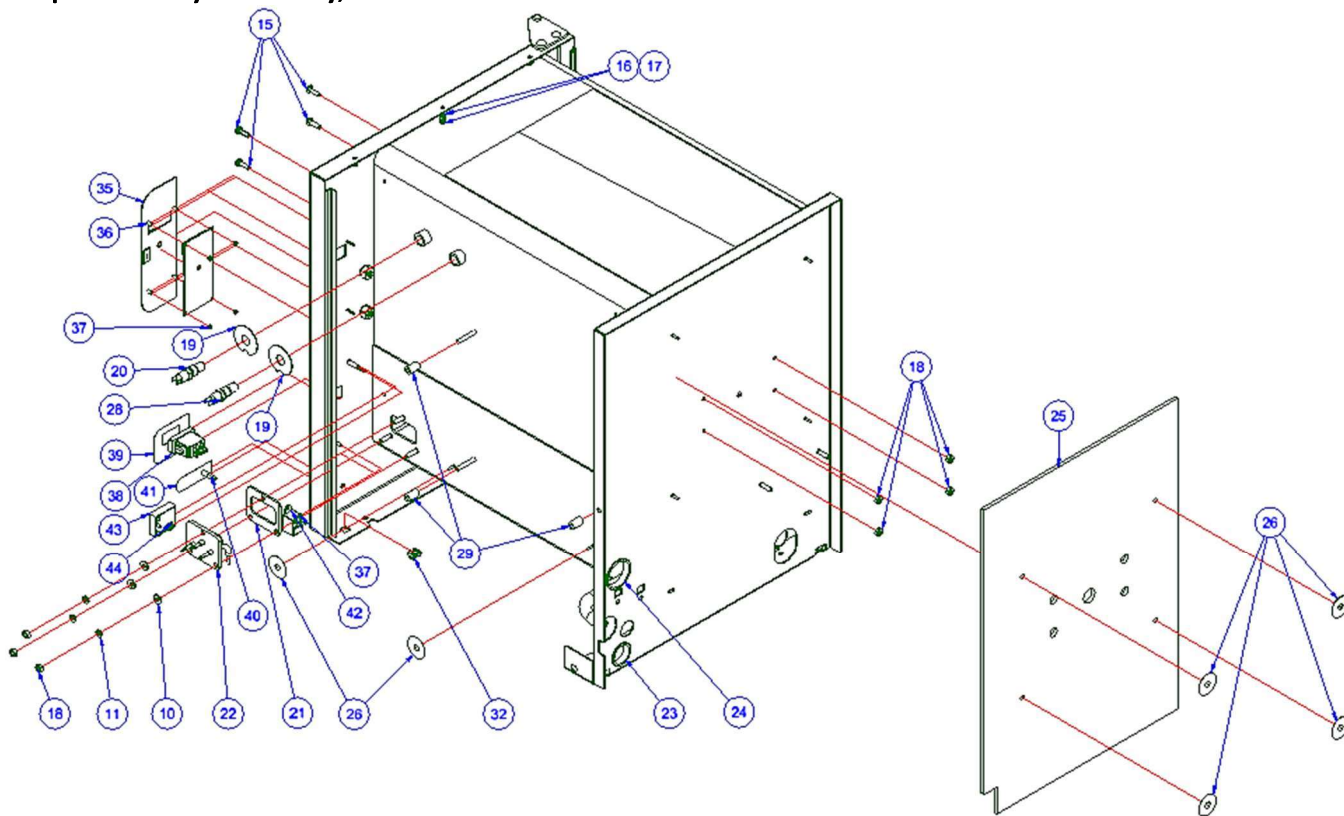
**Description: Body Assembly, 22CET3. 1**



Item	Qty	Part No.	Description
2	2	14649	NUT, HEX, 1/2-13, ZINC PLTD
3	2	23149	WASHER, NYLON, TYPE 6/6
4	2	14695	NUT, DOOR CATCH MOUNTING
5	1	104046	CATCH, DOOR
6	2	104035	HINGE, DOOR
7	9	23116	WASHER, FLAT, .281 ID x .625 OD x .065 THK, SST
8	7	23105	WASHER, LOCK, 1/4" KATLINK STYLE, SST
9	4	19170	SCREW, HEX HD, 1/4-20x5/8, SST
10	2	104077	PIN, HINGE
11	3	104062	RING, EXT, RETAINING, SST
25	1	110675	INSULATION, BODY WRAP, STEAMCHEF 3
28	A/R	107472	TAPE, ALUM. FOIL, 2 1/2 IN – 3 IN X 60 YDS

**Part Number: 113912-1**

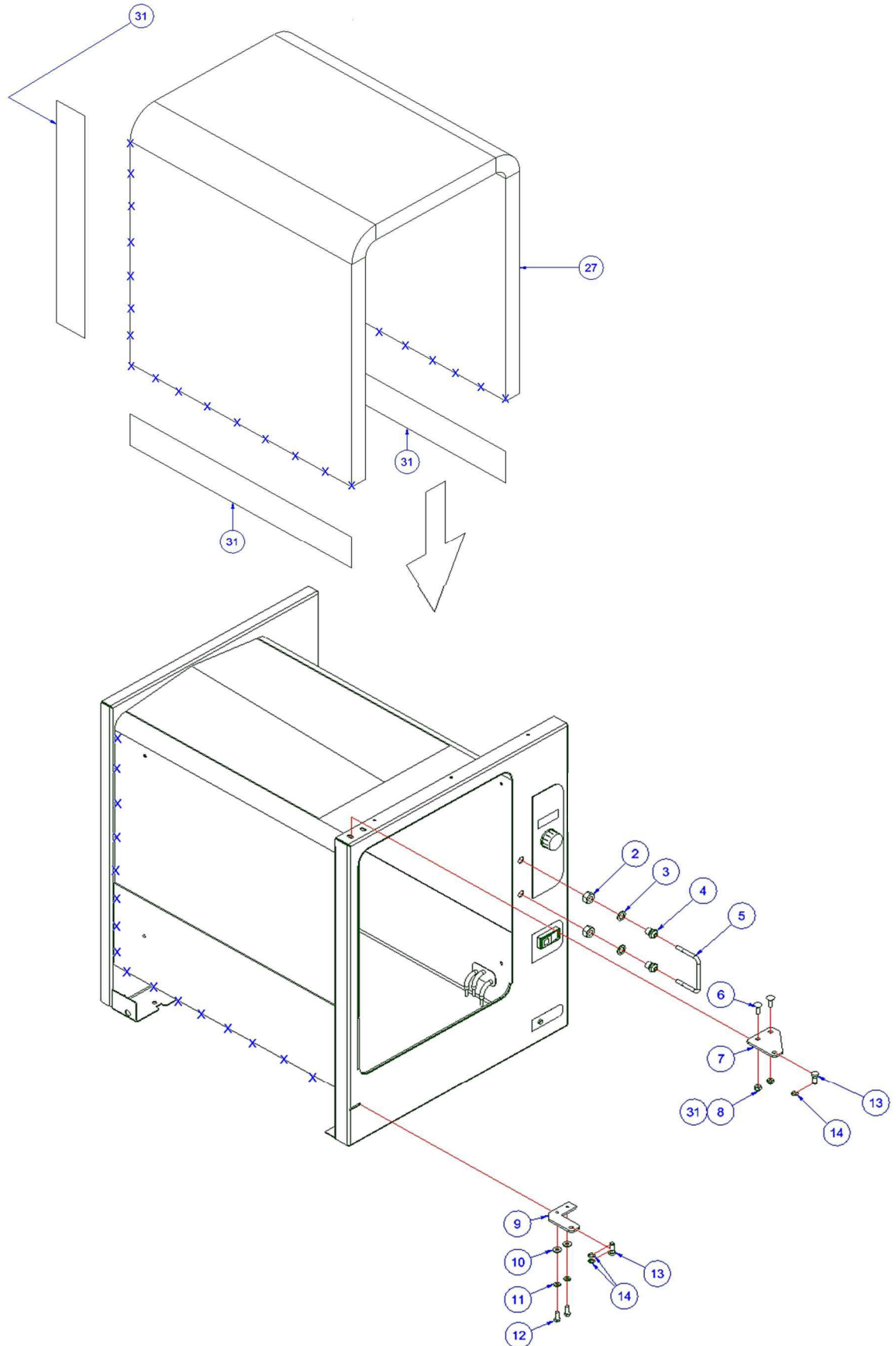
**Description: Body Assembly, 22CET6. 1**



Item	Qty	Part No.	Description
10	5	23116	WASHER, FLAT, .281 ID x.625 OD x .065 THK, SST
11	5	23105	WASHER, LOCK, 1/4" KATLINK STYLE, SST
15	4	111290	SCREW, SHOULDER, 1/4-20 W/FLAT, FAN GUARD AND MOTOR SUPPORT, 316L SST
16	3	101655	WASHER, FLAT, #10, SST
17	3	14672	NUT, HEX, 10-32, ELASTIC LOCK, ZINC PLTD
18	7	14618	NUT, HEX, 1/4-20, STAINLESS STEEL
19	2	111780	WASHER, RETAINER, INSULATION
20	1	19972	SWITCH, THERMAL CLOSE 193 DEG. F
21	1	112517	GASKET,CHEF PROBE,1 PIECE,MOLDED
22	1	300688	MOLDED PROBE, 3 ELECTRODES
23	1	102581	BUSHING, SNAP-IN FOR 1 1/2 DIA HOLE
24	1	110229	BUSHING, SNAP-IN FOR 2" DIA HOLE
25	1	112919	INSULATION, REAR, CHEF 6.1, HL ENERGY STAR UNIT
26	6	101953	CLIP, INSULATION RETAINER, 1-1/2, .105 HOLE, GALV.
28	-	109617	THERMOSTAT, 205 DEG. F.
29	3	19555	SPACER,1/4" I.D. X 1/2 O.D.
30	A/R	107472 (Not Shown)	TAPE, ALUM. FOIL, 2 1/2 IN - 3 IN X 60 YDS
32	4	112781	NUT, CAGE 3/8-16NC
35	1	KE004164	EASY TIMER ASSEMBLY
36	4	KE604586	EASY TIMER SPACER
37	5	KE604587	EASY TIMER NUT
38	1	19993	SWITCH, ROCKER ILLUMINATED MAINTAINED CONTACT
39	1	KE604449	LABEL, ON/ OFF
40	1	12159	LIGHT, INDICATOR, NEON, RED, 7" MIN LEAD LENGTH
41	1	KE604584	LABEL. RESET
42	1	41350	BUZZER, ASSY, CONTINUOUS DUTY, 120VAC, 50-60HZ
43	1	108880	SWITCH, DOOR STEAM CUTOFF
44	1	101873	NUT, HEX 1/4-20 THIN LOCK, ZINC PLTD. STEEL

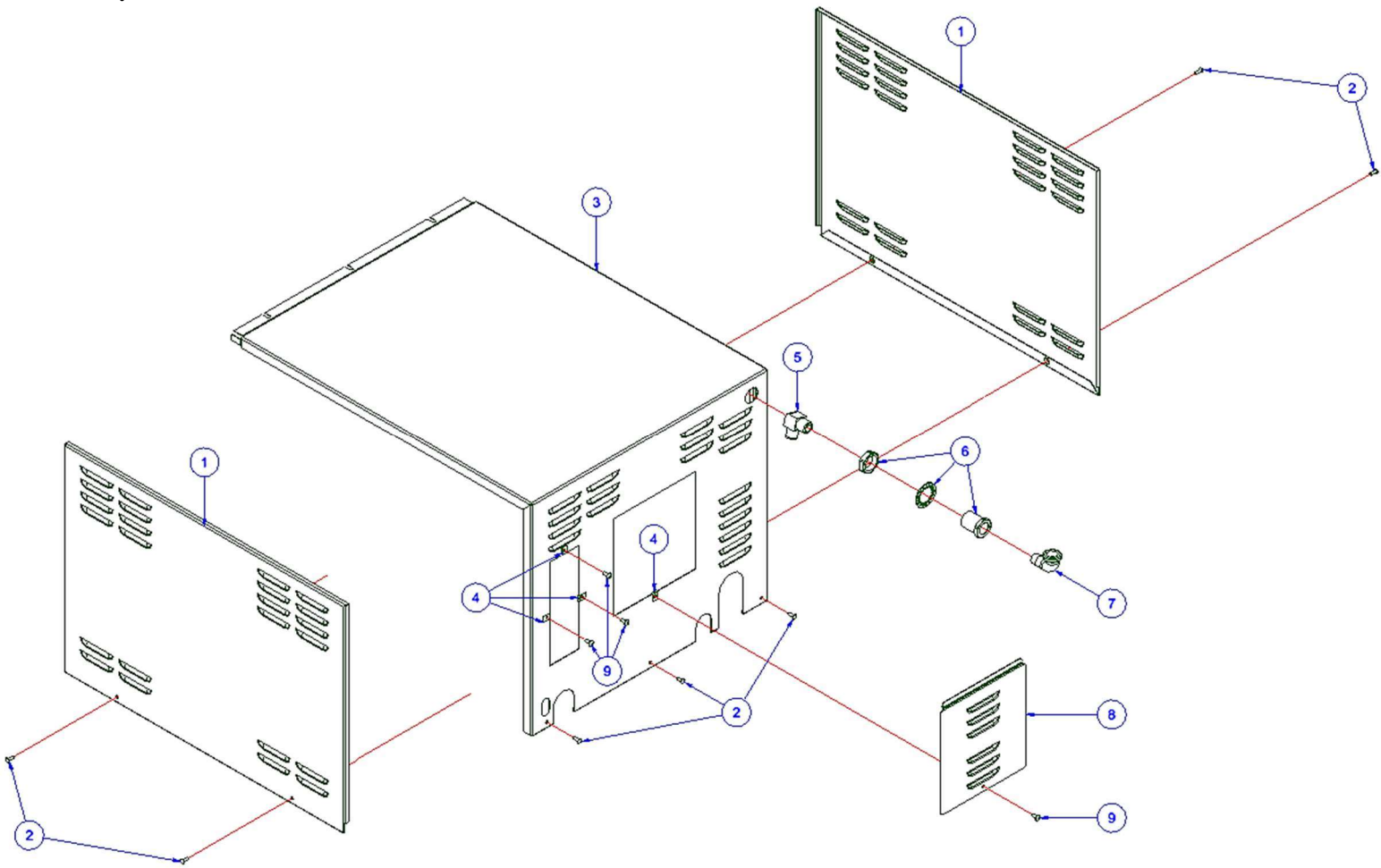
Part Number: 113912-1

Description: Body Assembly, 22CET6. 1



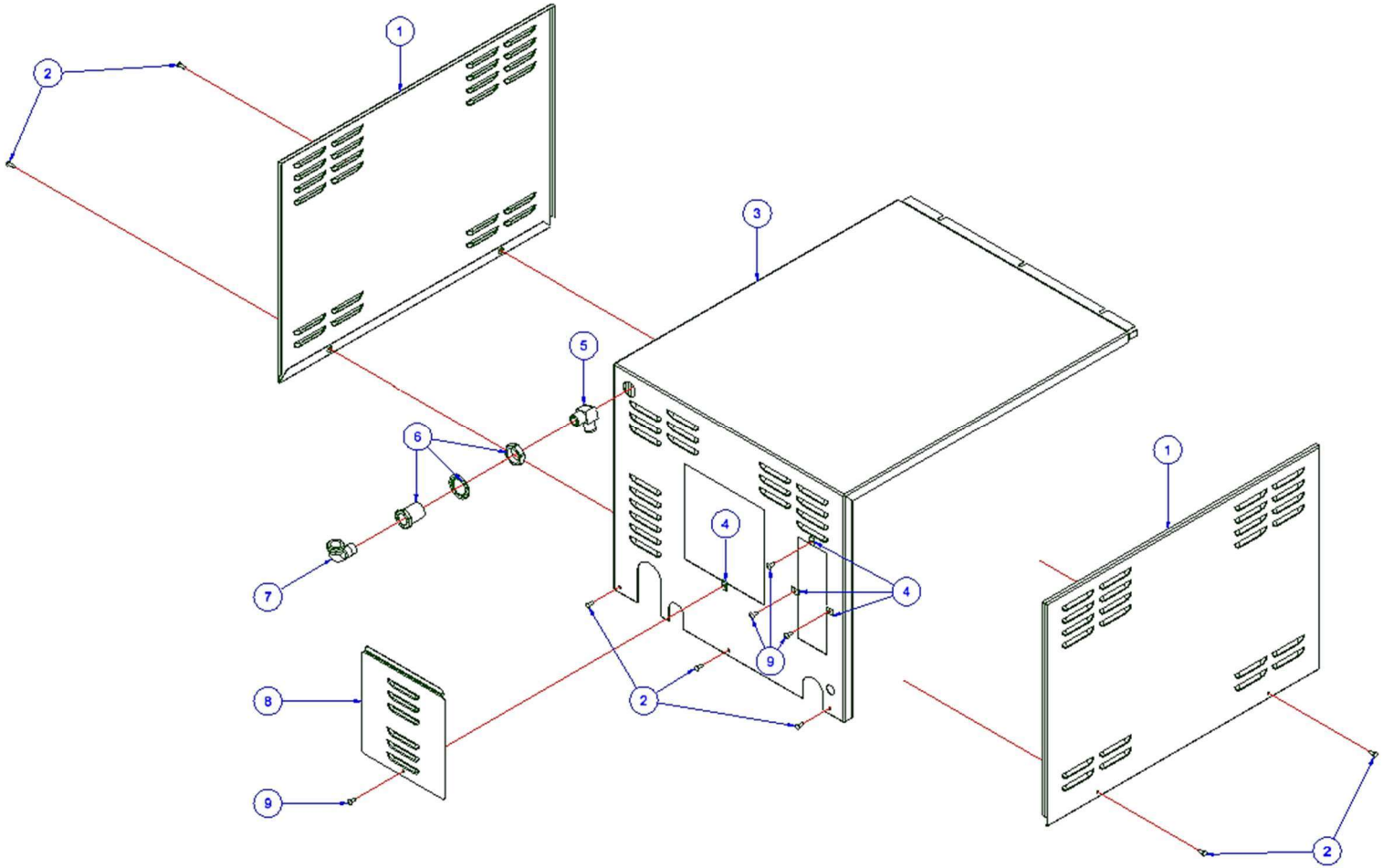
Item	Qty	Part No.	Description
2	2	14649	NUT, HEX, 1/2-13, ZINC PLTD
3	2	23149	WASHER, NYLON, TYPE 6/6
4	2	14695	NUT, DOOR CATCH MOUNTING
5	1	104046	CATCH, DOOR
6	2	111273	SCREW, CARRIAGE, 1/4-20x3/4, SST (RND HEAD, SQ NECK)
7	1	110831	HINGE, COMPARTMENT DOOR, STEAMCHEF 6
8	2	14665	NUT, HEX, 1/4-20 LOCK, SST (NYLON INSERT)
9	1	104035	HINGE, DOOR
10	5	23116	WASHER, FLAT, .281 ID x .625 OD x .065 THK, SST
11	5	23105	WASHER, LOCK, 1/4" KATLINK STYLE, SST
12	2	19170	SCREW, HEX ID, 1/4-20x5/8, SST
13	2	104077	PIN, HINGE
14	3	104062	RING, EXT, RETAINING, SST
27	1	110979	INSULATION, BODY WRAP, STEAMCHEF 6
31	A/R	01205	ADHESIVE, LOCTITE, GREEN

**Part Number: 113917 (HL) or 113919 (HL)**  
**Description: Cover Panel, 22CET3.1 or 22CET6.1**



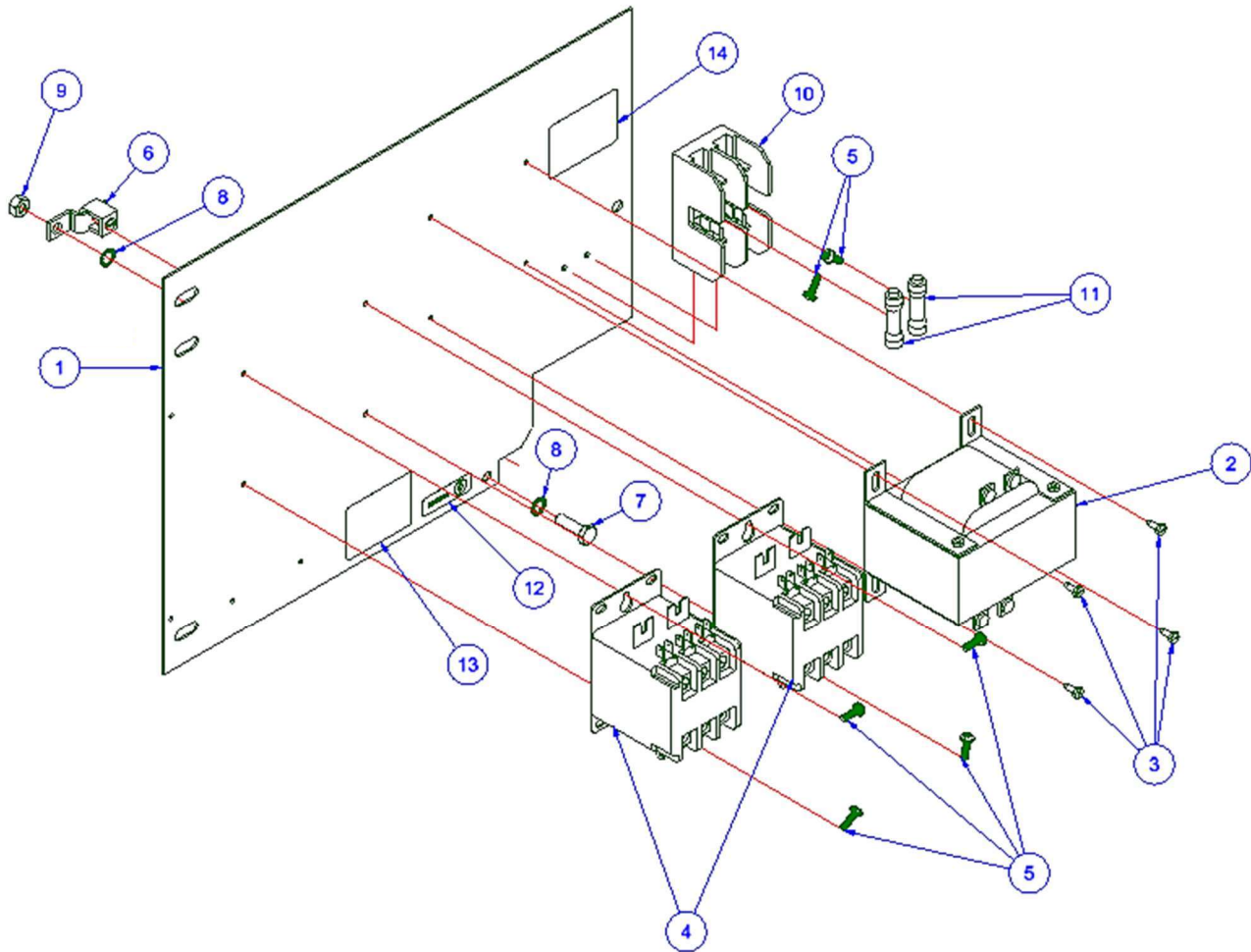
Item	Qty	Part No.	Description
1	2	112927	PANEL, SIDE SHEETING, STEAMCHEF 3.1
		112912	PANEL, SIDE SHEETING, STEAMCHEF 6.1
2	7	104080	SCREW, TR, PHH, 8x1/2, TYPE B, SST
3	1	112891	SHEETING, TOP/BACK, STEAMCHEF 3.1, HL
		112913	SHEETING, TOP/BACK, STEAMCHEF 6.1, HL
4	4	110496	NUT, SLIPON, 10-24, PNL .025
5	1	111354	FTG, BARB, 3/4H x 1/2 MPT, 90 DEG, BRASS
6	1	106157	FITTING, BULKHEAD, 1/2NPT FOR 1 1/8"ID OPENING
7	1	05253	ELBOW, STREET, 90°, 1/2 NPT, BRASS
8	1	112901	COVER, DOOR, MOTOR ACCESS, CHEF 3/3.1/6/6.1
9	4	101231	SCREW, 10-24 X 0.500 SST, PHILLIPS TRUSS HEAD

**Part Number: 113918 (HR) & 113920 (HR)**  
**Description: Cover Panel, 22CET3.1 or 22CET6.1**



Item	Qty	Part No.	Description
1	2	112927 112912	PANEL, SIDE SHEETING, STEAMCHEF 3.1 PANEL, SIDE SHEETING, STEAMCHEF 6.1
2	7	104080	SCREW, TR, PHH, 8x1/2, TYPE B, SST
3	1	112911 112926	SHEETING, TOP/BACK, STEAMCHEF 3.1, H.R. SHEETING, TOP/BACK, STEAMCHEF 6.1, H.R.
4	4	110496	NUT, SLIPON, 10-24, PNL .025
5	1	111354	FTG, BARB, 3/4H x 1/2 MPT, 90 DEG, BRASS
6	1	106157	FITTING, BULKHEAD, 1/2NPT FOR 1 1/8"ID OPENING
7	1	05253	ELBOW, STREET, 90°, 1/2 NPT, BRASS
8	1	112901	COVER, DOOR, MOTOR ACCESS, CHEF 3/3.1/6/6.1
9	4	101231	SCREW, 10-24 X 0.500 SST, PHILLIPS TRUSS HEAD

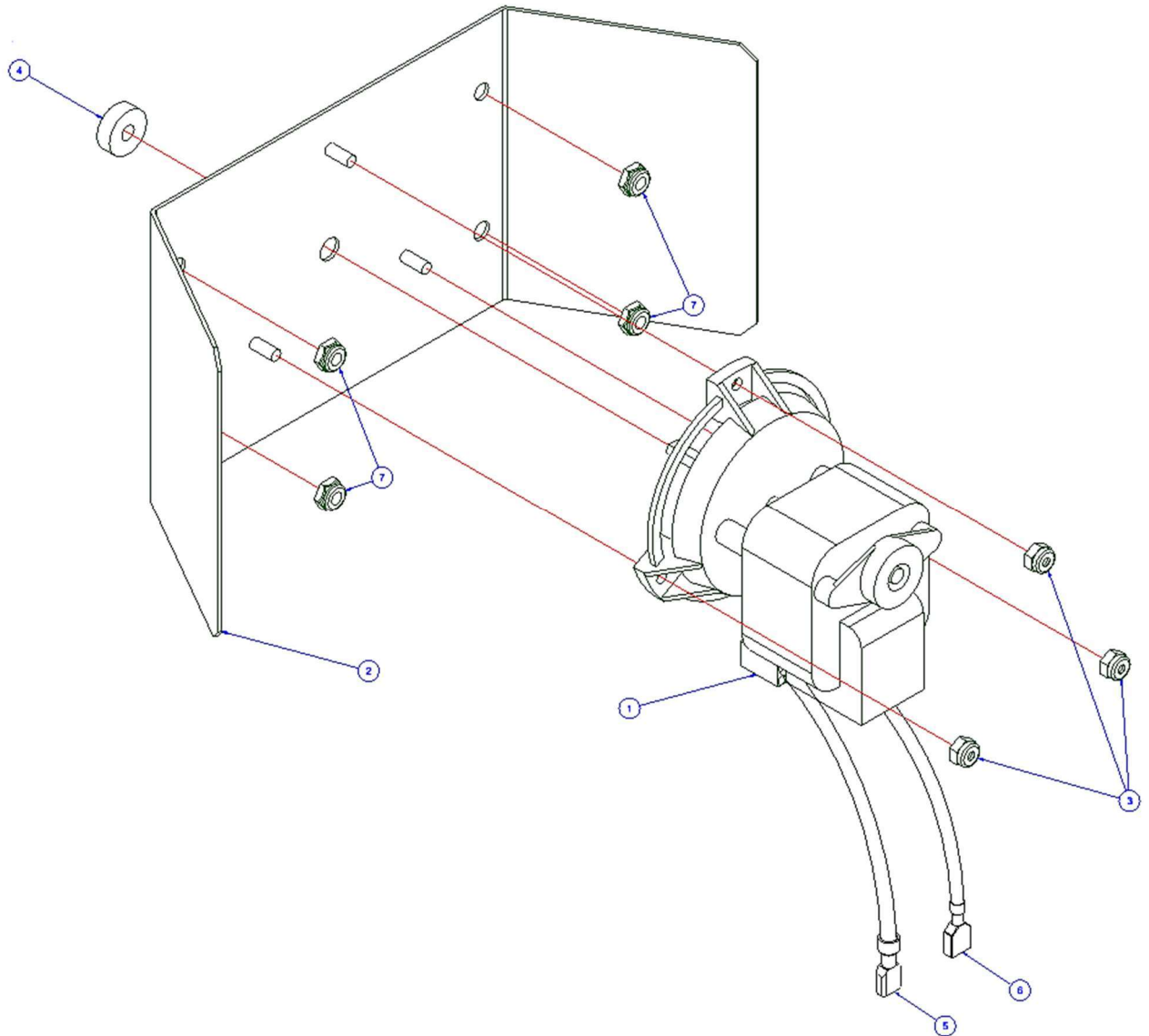
**Part Number: 300763 (3 phase) & 300768 (1 phase)**  
**Description: High Voltage Panel Assembly, 22CET3.1 & 22CET6.1**



Item	Qty	Part No.	Description
1	1	112897	PANEL, COMPONENT, H.V. STEAMCHEF
2	1	300254	TRANSFORMER, 200VA, 240V/480V PRIMARY, 120V SECONDARY
3	4	106754	SCREW, 6-32 X 3/8, HEX/SLOT-WASHER HD.
4	2	03509 03506	CONTACTOR, 50 AMP, 104-120V CONTACTOR, 3 POLE, 75 AMP
5	6	106126	SCREW; 8-32X1/2; TORX/SLTPN HD; THREAD FORMING; ZN PLTD
6	1	12331	LUG, GROUND, SOLDERLESS
7	1	19288	SCREW, 1/4-20 X 3/4, HEX, HD, ZINC PLATED
8	2	23137	WASHER, LOCK, INTERNAL TOOTH 1/4" SST
9	1	14618	NUT, HEX, 1/4-20, STAINLESS STEEL
10	1	109374	BLOCK, FUSE, 2 POLE, 30 AMP
11	2	109380	FUSE, 3.5 AMP
12	1	14897	LABEL, GROUND
13	1	104349	LABEL, WARNING FIELD CONVERSION
14	1	109986	LABEL, FUSE SIZE, 5 AMPS
15	1	WHT300763	WIRING HARNESS, HIGH-VOLTAGE PANEL

**Part Number: 113902**

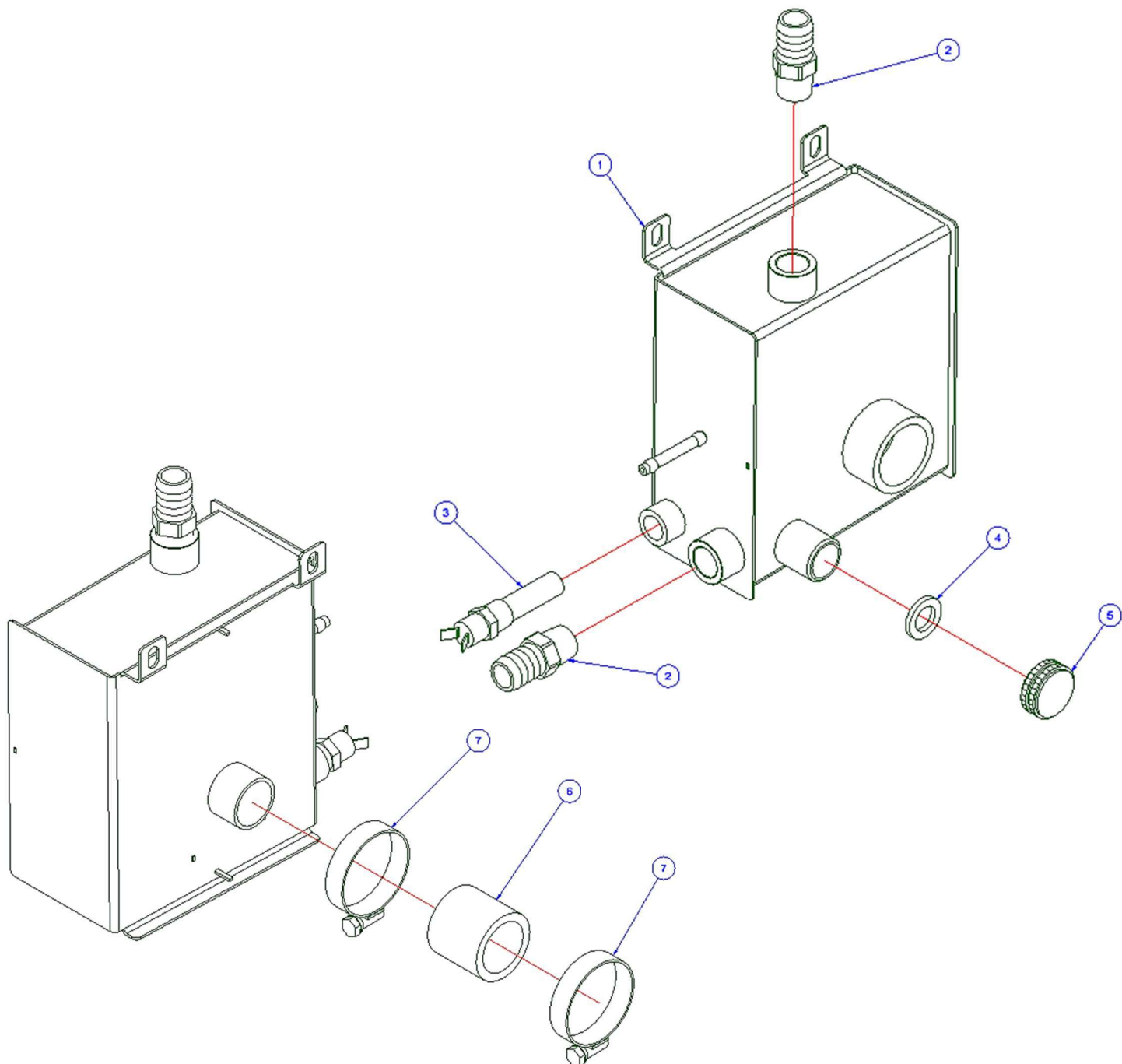
**Description: Fan Assembly, 22CET3.1 & 22CET6.1**



Item	Qty	Part No.	Description
1	1	110683	MOTOR, BLOWER STEAMCHEF 3
2	1	112899	ASSY, PLATE, MOTOR MOUNTING, CHEF 3.1/6.1, HL/HR
3	3	14692	NUT, HEX, 10-24, ELASTIC LOCK, ZINC PLTD, FASTENER
4	1	111272	SEAL, 1/4" ID X 3/4" OD X 1/4" THRU
5	1	20370	TERMINAL, M FULL INS, 0.032 X .250 TAB, 22-18 AWG
6	1	20351	TERMINAL, SLIPON FULL-INS, 0.032 X 0.25 TAB, 22-18 AWG
7	4	101873	NUT, HEX 1/4-20 THIN LOCK, ZINC PLTD. STEEL
8	A/R	111299 (Not Shown)	GREASE, FOOD GRADE

Part Number: 113895 (HL) & 113896 (HR)

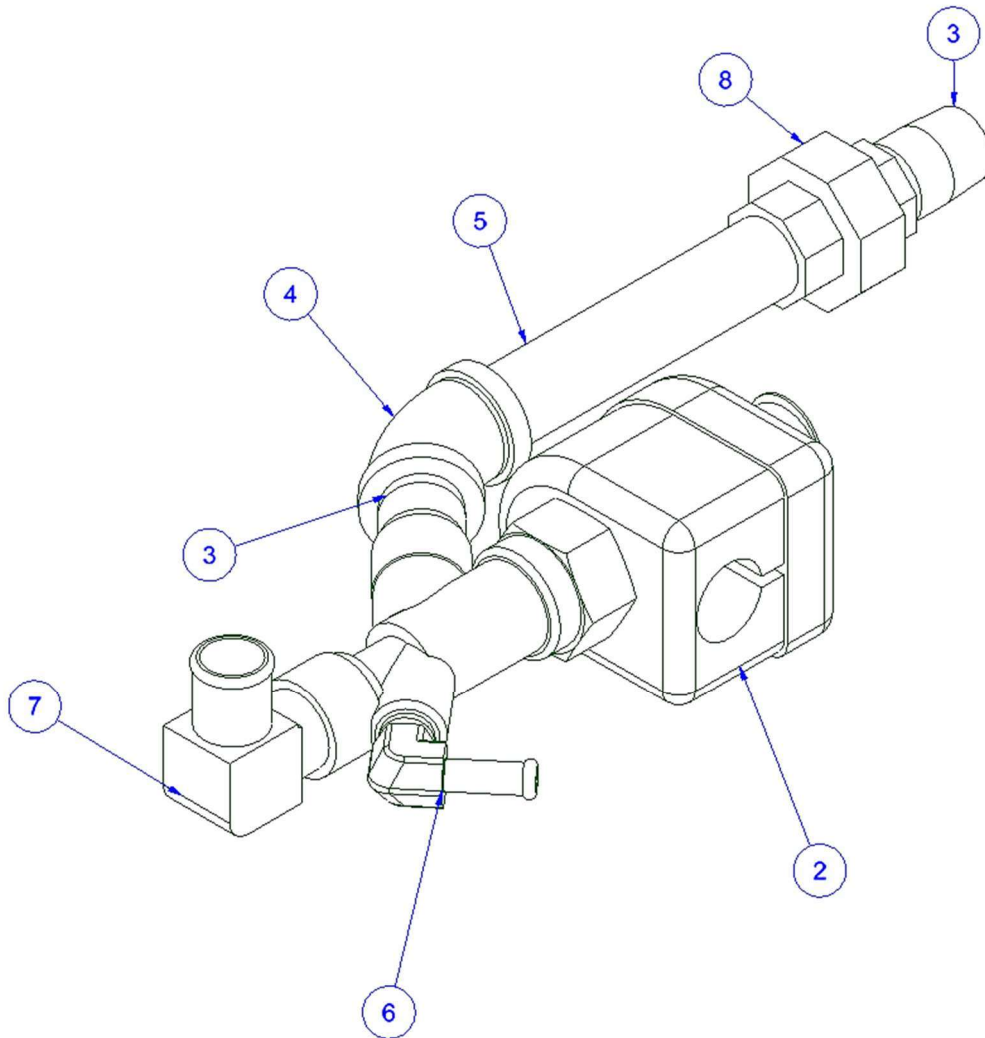
Description: Condenser Box Assembly, 22CET3.1 & 22CET6.1



Item	Qty	Part No.	Description
1	1	112684	WELDMENT, CONDENSER BOX, HL, X2
	1	112721	WELDMENT, CONDENSER BOX, HR, X2
2	2	06241	FTG, HOSE BARB, 3/4HX1/2MPT, BR.
3	1	106288	SWITCH, THERMOSTAT, 130 DEG.
4	1	108034	WASHER 3/4 GHT HOSE
5	1	108031	CAP, HOSE NUT 3/4" HOSE THD.
6	1	113847	HOSE, 1.250" X 1.500" OD
7	2	102018	CLAMP, HOSE, WORM DRIVE 1.5" - 2.0"

Part Number: KE004248 (HR) & KE004247 (HL)

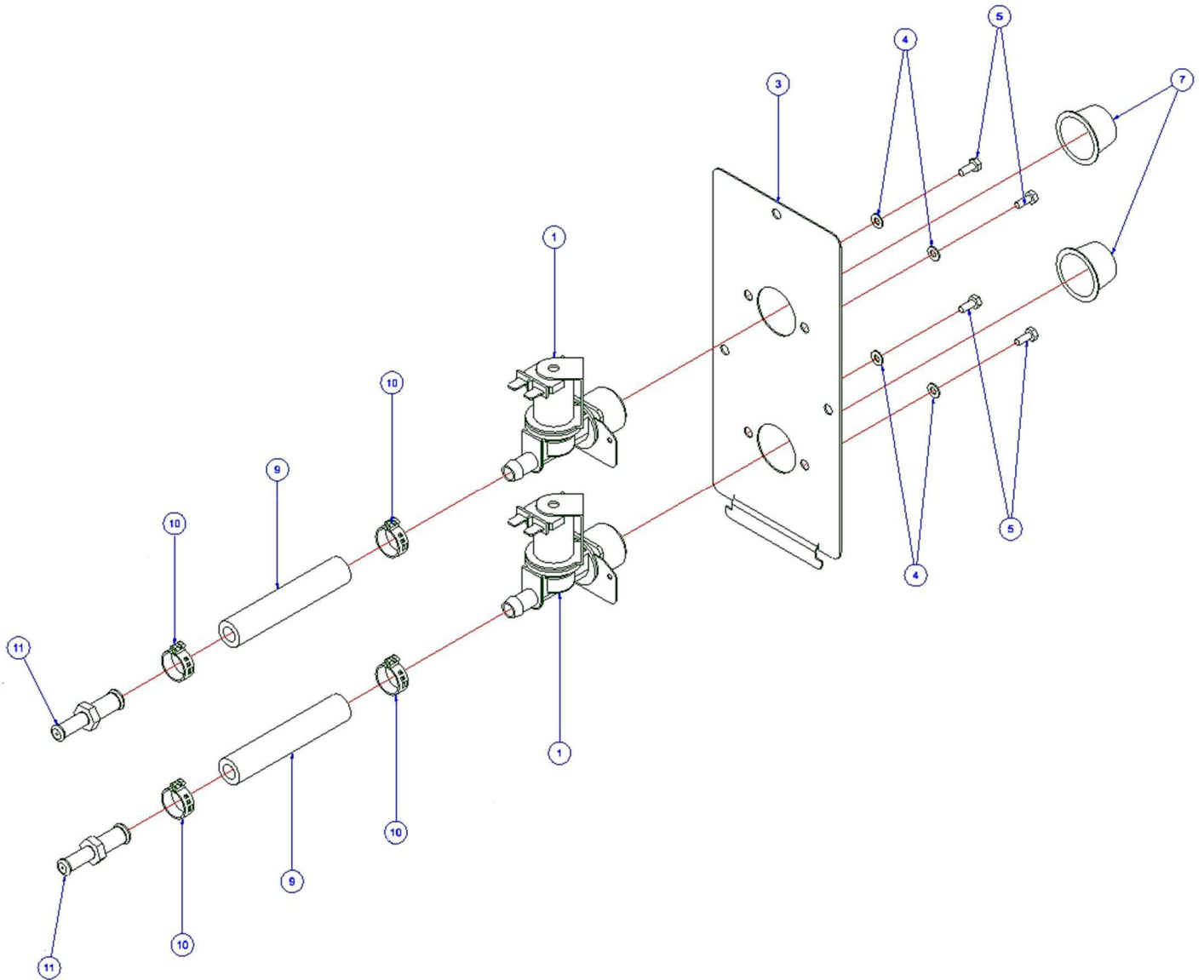
Description: Drain/Power Piping Assembly, 22CET3.1 & 22CET6.1



Item	Qty	Part No.	Description
1	A/R	00934 (Not Shown)	SEALANT, PIPE DOPE
2	1	22221	VALVE, SOLENOID, 1/2" DRAIN, 18IN LEAD
3	1	14326	NIPPLE .50NPTx 1.50SCH 40 BRASS TBE (HR)
	2	14326	NIPPLE .50NPTx 1.50SCH 40 BRASS TBE (HL)
4	1	113812	ELBOW; 45 DEG; 1/2; BRASS
5	1	14336	NIPPLE .50NPT X 4.500 SCH 40, TBE, BRASS
6	1	111289	FITTING, ELBOW, 90 1/4" HOSE X 1/4" NPT MALE
7	1	111354	FTG, BARB, 3/4H x 1/2 MPT, 90 DEG, BRASS
8	1	21303	UNION, 1/2", BRASS

**Part Number: 112904**

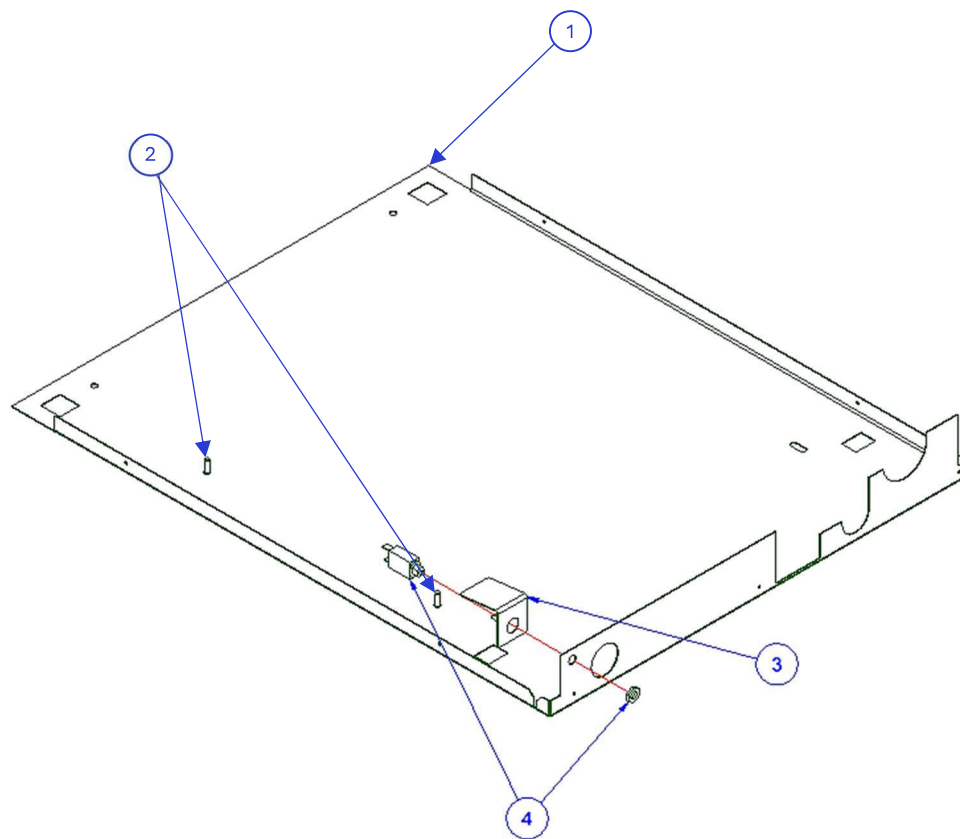
**Description: Water Supply Assembly, 22CET3.1 & 22CET6.1**



Item	Qty	Part No.	Description
1	2	300872	VALVE, 0.5 GPM, 1 WAY, 120VAC, 50/60 Hz, GARDEN HOSE THREAD
3	1	112903	DOOR, PLATE, WATER INLET, CHEF 3,6
4	4	C8005021	WASHER, FLAT, 0.169 ID x 0.346 OD x 0.031 THK, SST
5	4	C8013004	SCREW, M4x0.7x10, HEX HEAD, SST
7	2	111113	CAP, NON-THREADED, PROTECTOR
9	2	11149803500	HOSE, SILICONE, 0.375" ID X 0.655" OD X 3.500 LONG
10	4	C6016070	CLAMP, HOSE, 0.630" – 0.756", ONE EAR, STEPLESS, SST, OETIKER 16700110 (REF 019.2-706R)
11	2	11000115609	FLOW RESTRICTOR, .062, 1/4 ID TO 3/8 ID, ADAPTER

**Part Number: 113915**

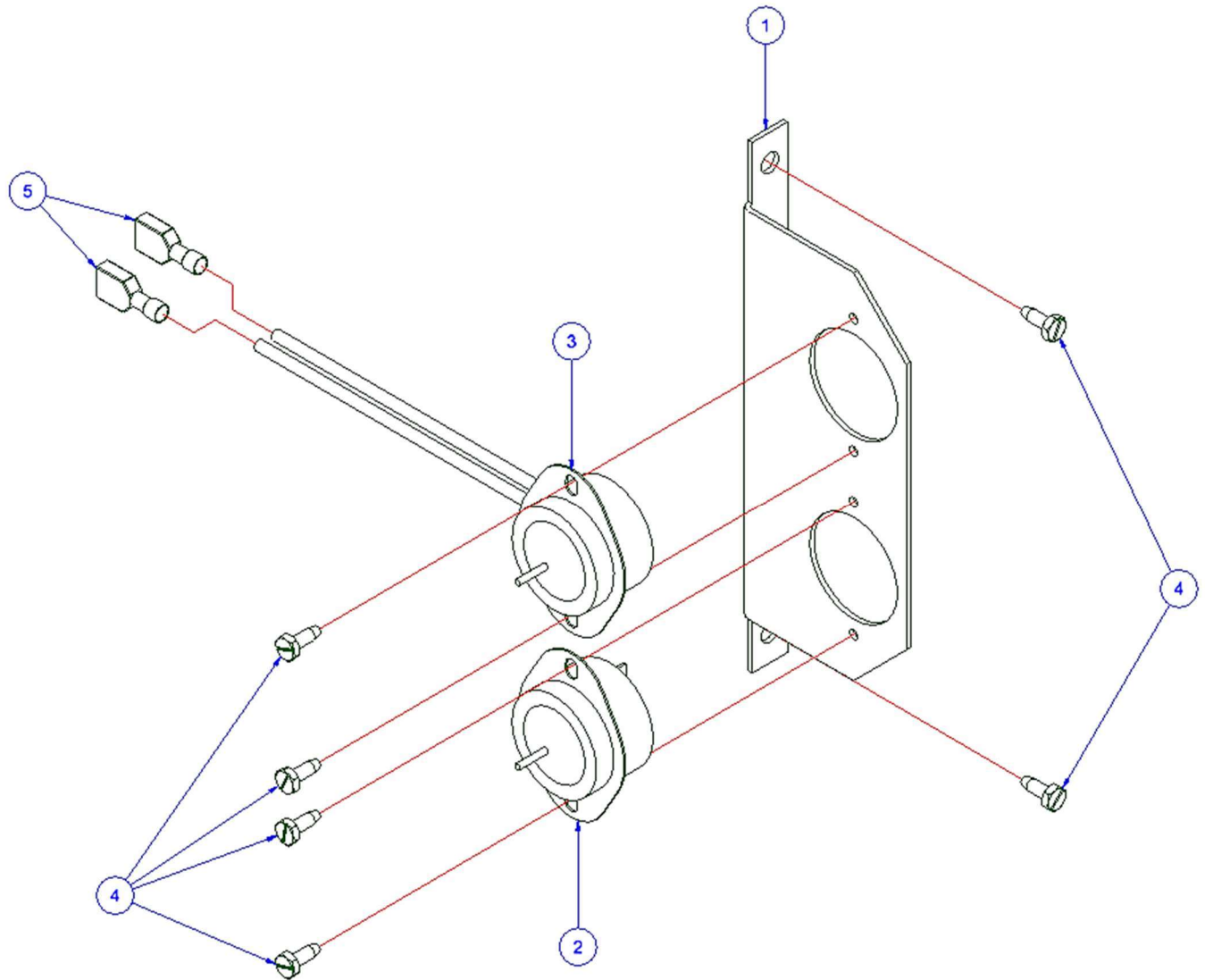
**Description: Base Pan Kit, 22CET3.1 & 22CET6.1**



Item	Qty	Part No.	Description
1	1	112887	PAN, BASE, STEAMCHEF 3.1/6.1, HL
2	2	112465	STUD, WELD #10-32 X 1/2 LG, SST CD, COPPER PLTD.
3	1	108848	BRACKET, CIRCUIT BREAKER SHIELD STEAMCRAFT 3.1 & 5.1
4	1	300255	BREAKER, CIRCUIT 1.5 AMP

Part Number: 300944

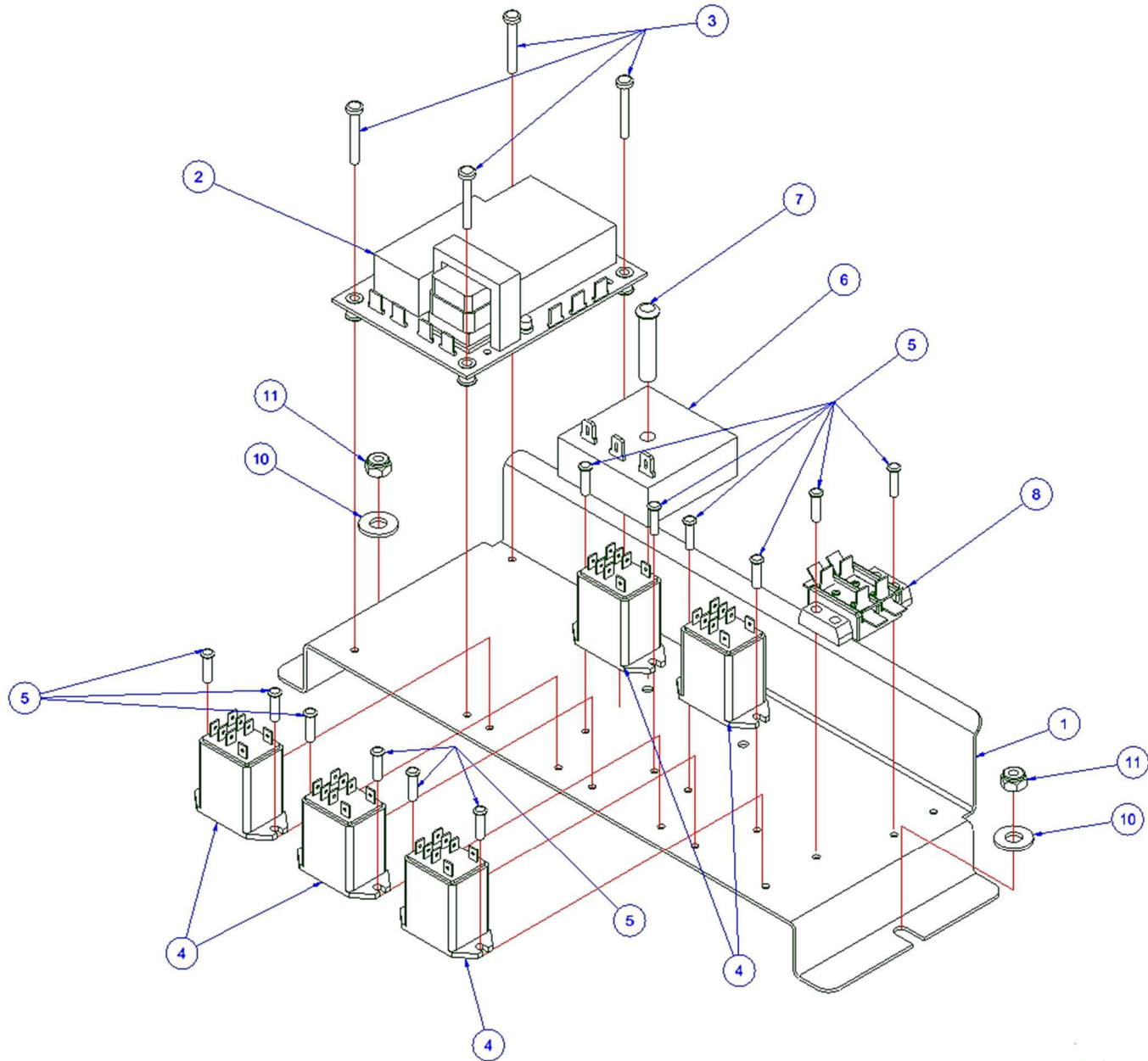
Description: HI Limit – Temp Reg Assembly, 22CET3.1 & 22CET6.1



Item	Qty	Part No.	Description
1	1	105757	BRACKET, HIGH LIMIT MOUNT STEAMCRAFT 10
2	1	300762	HI LIMIT, CAPILARRY TYPE, 320 DEG F
3	1	300701	HI LIMIT, CAPILARRY TYPE, 350 DEG F
4	6	106754	SCREW, 6-32 X 3/8, HEX/SLOT-WASHER HD.
5	2	20322	TERMINAL, SLIP-ON, 0.032 X 0.250, 16-14 GA

**Part Number: TKE604714**

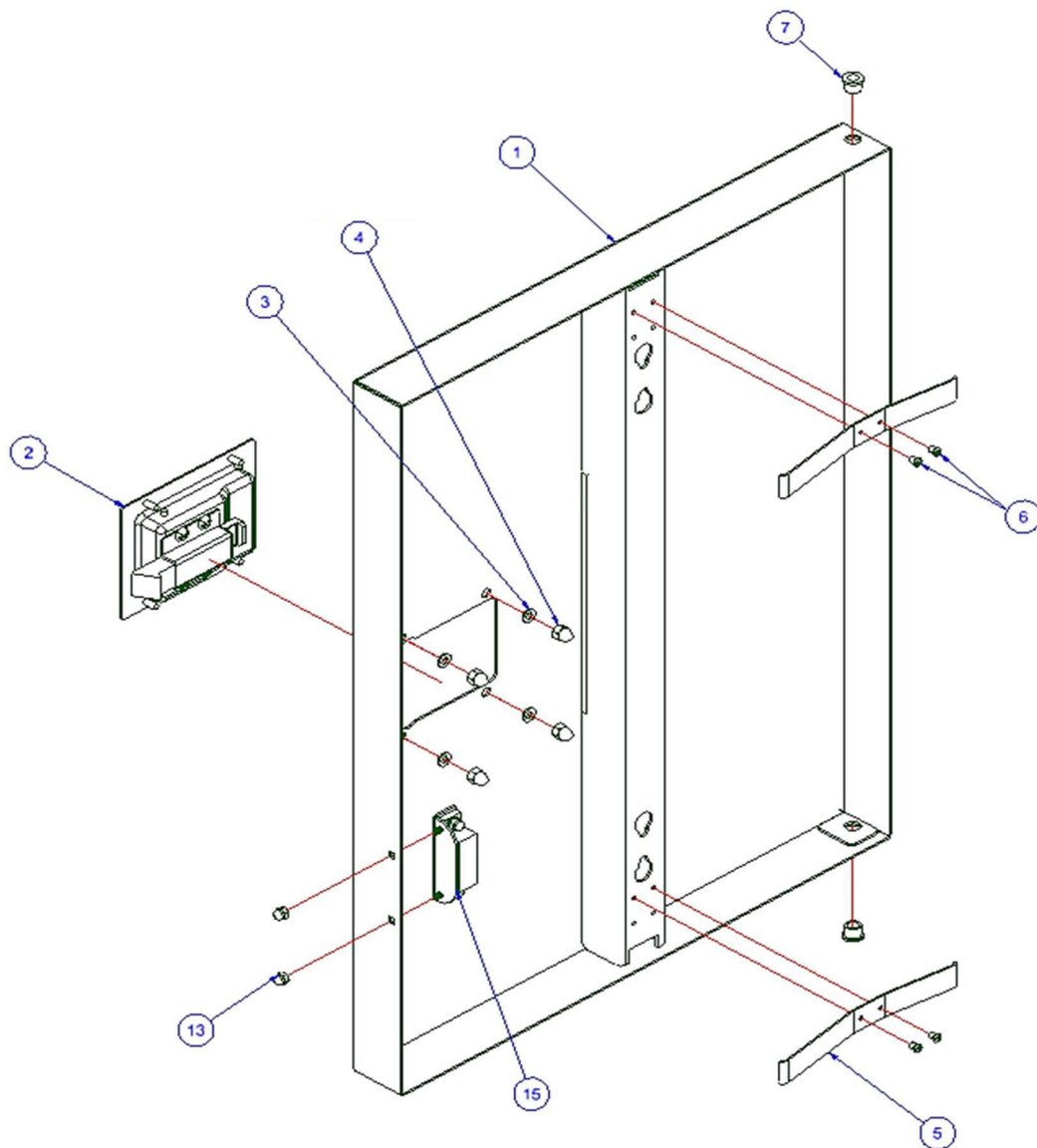
**Description: Side Control Panel Assembly, 22CET3.1 & 22CET6.1**



Item	Qty	Part No.	Description
1	1	112680	PLATE. COMPONENT MOUNTING, STEAMCHEF, HL
2	1	107241	BOARD, WATER LEVEL CONTROL
3	4	106128	SCREW, 6-32 X 1 TORX/PAN HD
4	5	105966	RELAY, DPDT-W/MTG TABS
5	12	106127	SCREW, 6-32 X 1/2, TORX/PAN HD
6	1	20478	TIMER, SOLID STATE INTERV 3 MINUTE
7	1	106124	SCREW, TORX/SLOT #10-32 X 1-1/4 LG
8	1	44168	TERMINAL, BLOCK ASM, 2 POLE
10	2	23116	WASHER, FLAT, .281 ID x .625 OD x .065 THK, SST
11	2	14672	NUT, HEX, 10-32, ELASTIC LOCK, ZINC PLTD
12	1	WHTKE604714 (Not Shown)	SIDE WIRING HARNESS ASSY, EZT

**Part Number: 113933 or 113935**

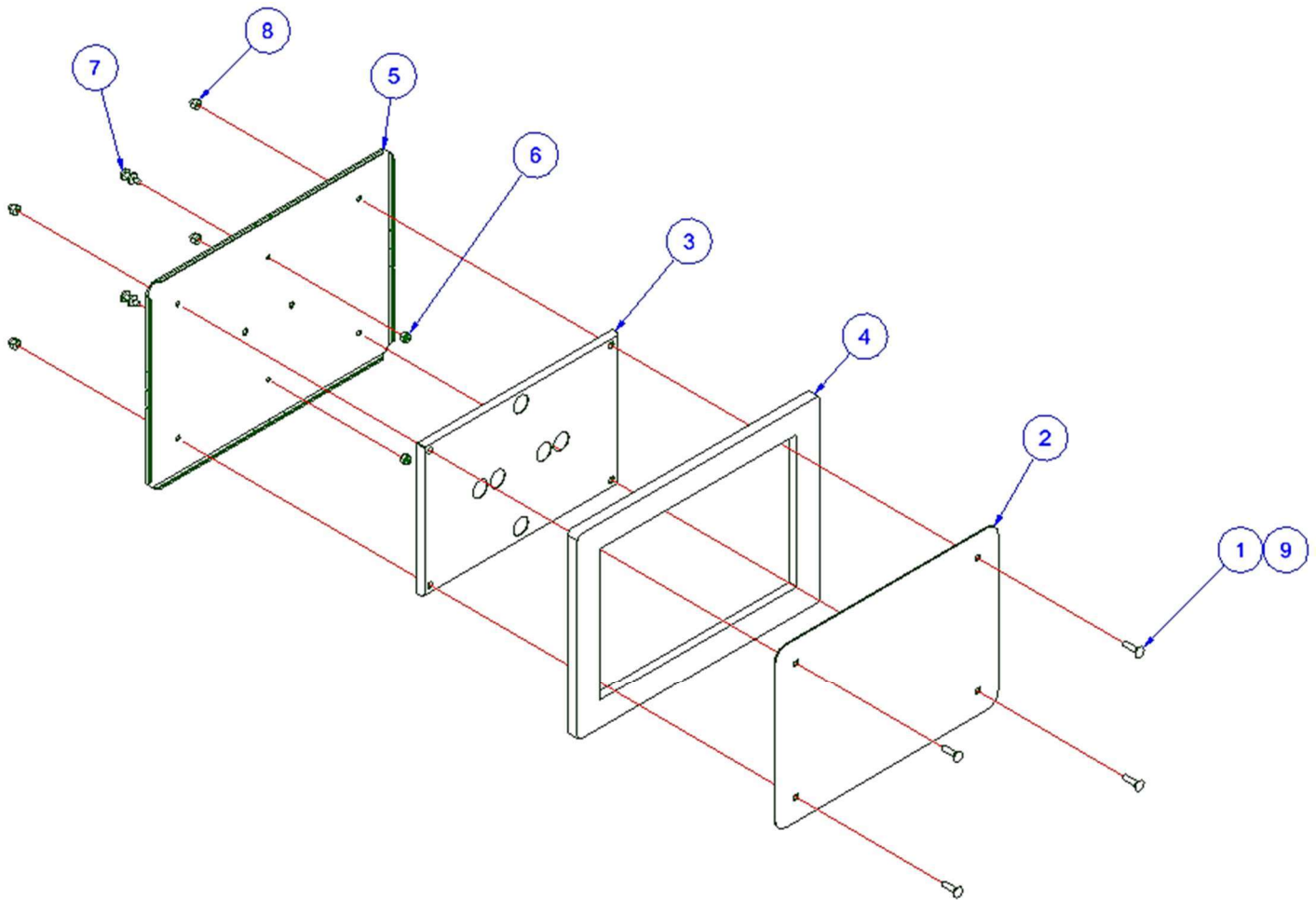
**Description: Outer Door Assembly, 22CET3.1 or 22CET6.1**



Item	Qty	Part No.	Description
1	1	110826 113969	DOOR, OUTER, WELDMENT, STEAMCHEF 6.1, HL/HR DOOR, OUTER, WELDMENT, STEAMCHEF 3.1, HL/HR
2	1	103643	LATCH, DOOR-PADDLE TYPE
3	4	101655	WASHER, FLAT, #10, SST
4	4	11000115589	NUT, #10-24, HIGH CROWN ACORN, SST
5	2	102228	SPRING, DOOR, 3/5 PAN
6	4	18357	RIVET, FLUSH BREAK, 0.125 DIA, 0.126/0.187 GRIP, SST
7	2	103641	BUSHING, DOOR HINGE
9	A/R	104146 (Not Shown)	LOCKTITE #222 LOW STRENGTH
10	A/R	00933 (Not Shown)	SEALANT, RTV, CLEAR
13	2	109164	NUT, HEX, ACORN, 8-32, SST, W/ THREAD LOC
15	1	KE003937	ASSEMBLY, DOOR MAGNET, STEAMERS

**Part Number: 104101**

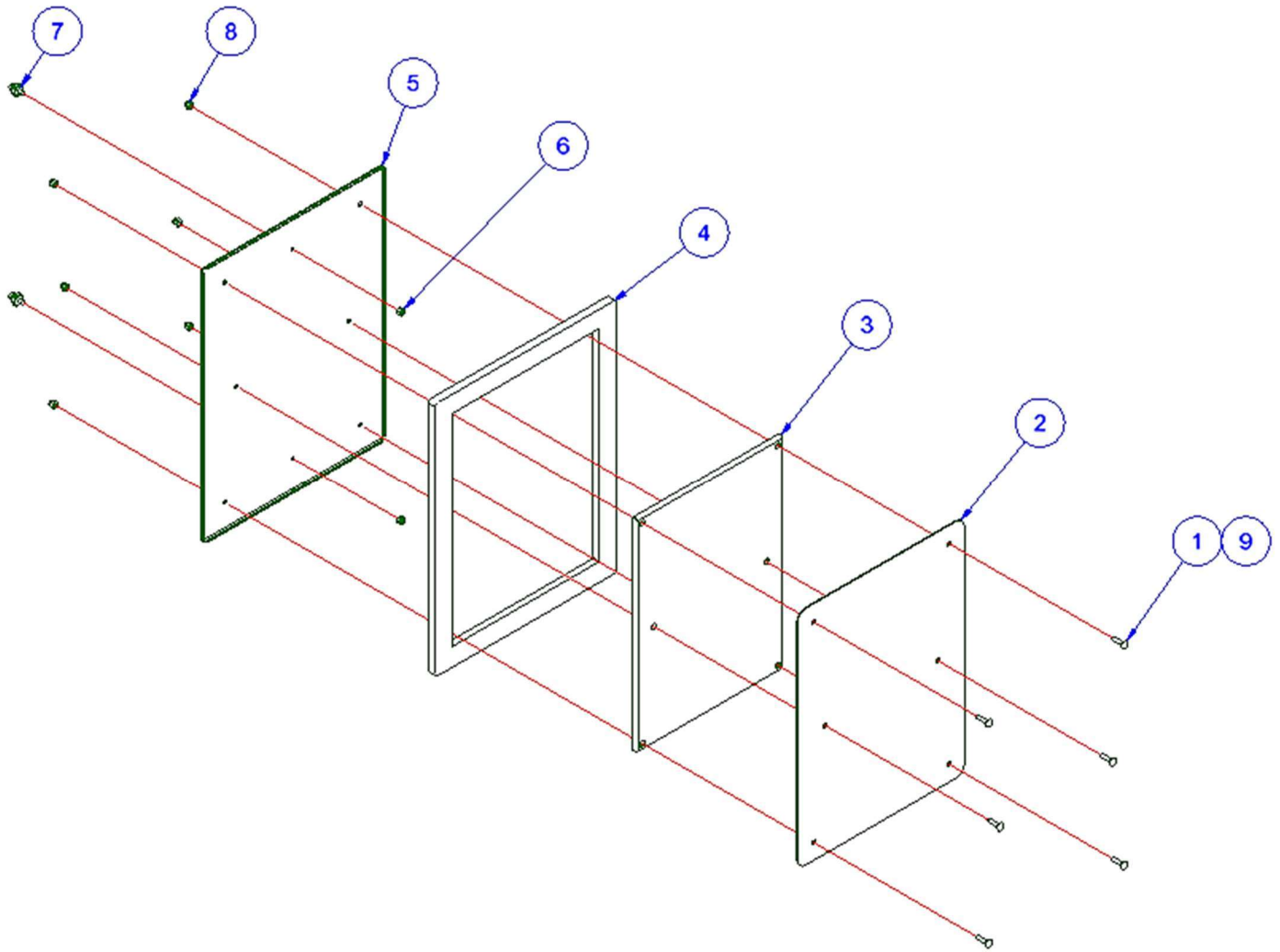
**Description: Inner Door Assembly, 22CET3.1**



Item	Qty	Part No.	Description
1	4	104719	SCREW, CARRIAGE, 1/4-20X1, SST
2	1	66595	PLATE, GASKET RETAINER
3	1	66214	PLATE, INNER DOOR GASKET
4	1	07138	GASKET, DOOR, CONV. STMR., SC
5	1	04171	DOOR, INNER, CONVECTION STEAMER
6	2	14665	NUT, HEX, 1/4-20 LOCK, SST (NYLON INSERT)
7	2	19923	STUD, INNER DOOR MOUNTING
8	4	146771	NUT, ACORN, THRD LOCK, 1/4-20, SST
9	A/R	00933	SEALANT; RTV; CLEAR

**Part Number: 1042021**

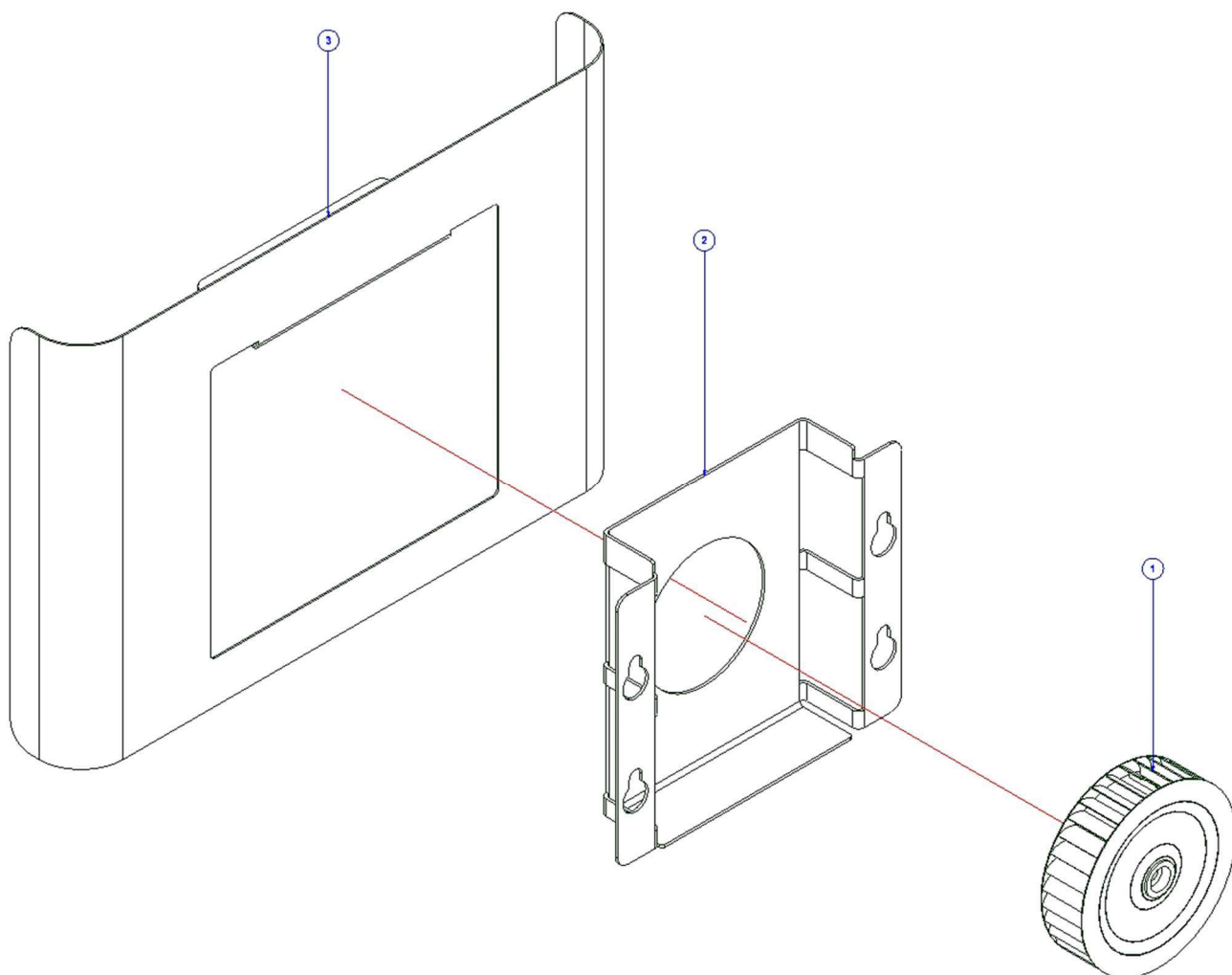
**Description: Inner Door Assembly, 22CET6.1**



Item	Qty	Part No.	Description
1	6	104719	SCREW, CARRIAGE, 1/4-20x1, SST
2	1	110828	PLATE, GASKET RETAINER
3	1	110829	PLATE, INNER GASKET RETAINER, STEAMCHEF 6
4	1	110830	GASKET, DOOR, STEAMCHEF 6
5	1	110825	DOOR, INNER STEAMCHEF 6
6	2	14665	NUT, HEX, 1/4-20 LOCK, SST (NYLON INSERT)
7	2	66508	PIN, GUIDE, INNER DOOR
8	6	146771	NUT, ACORN, THRD LOCK, 1/4-20, SST
9	1	00933	SEALANT; RTV; CLEAR;

**Part Number: 113901**

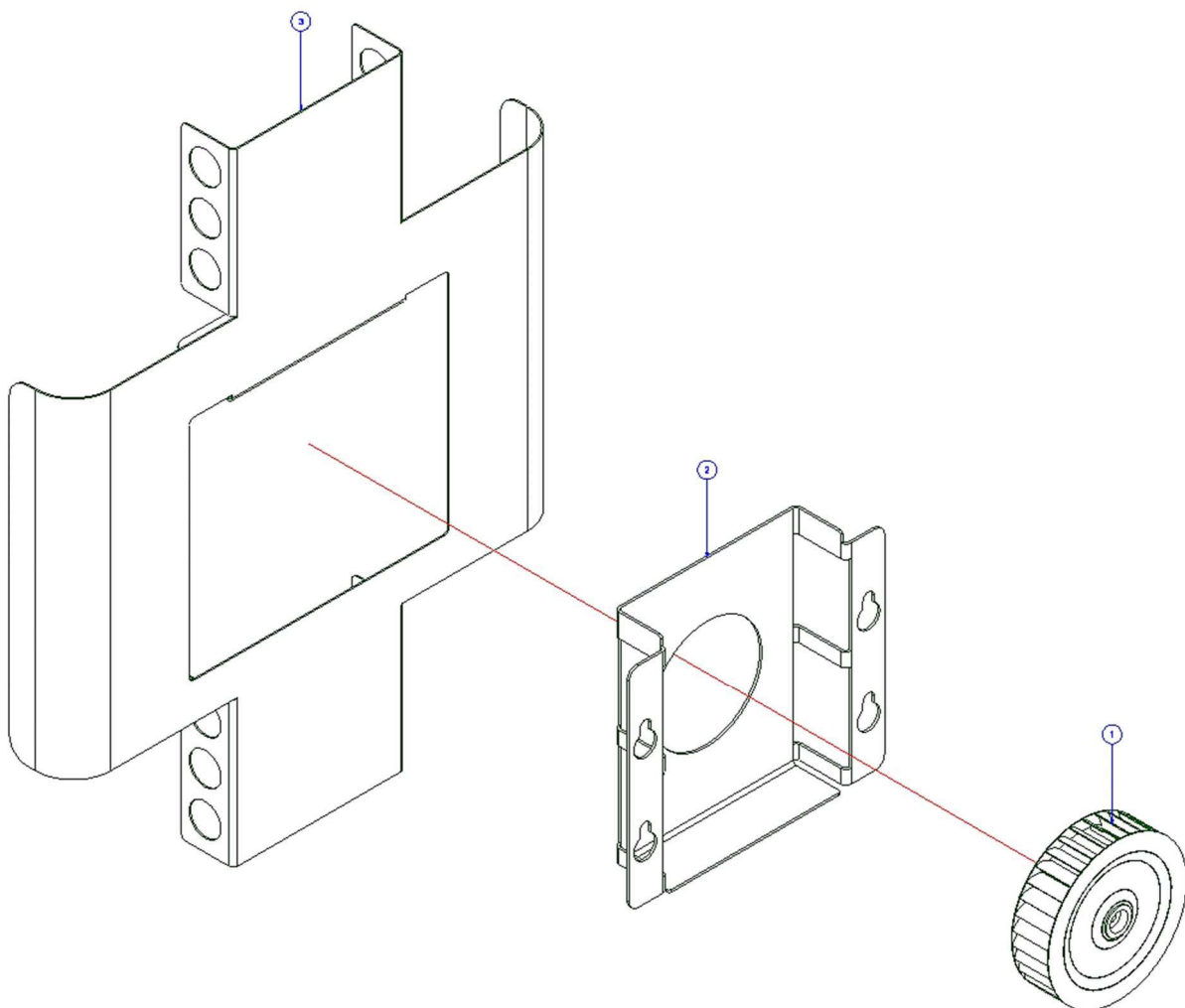
**Description: Fan/Guard Assembly, 22CET3.1**



Item	Qty	Part No.	Description
1	1	108171	WHEEL, BLOWER BMW-334
2	1	1118681	GUARD, FAN, STEAMCHEF
3	1	1118682	GUARD, BACKPLATE, FAN, STEAMCHEF 3.1

**Part Number: 113914**

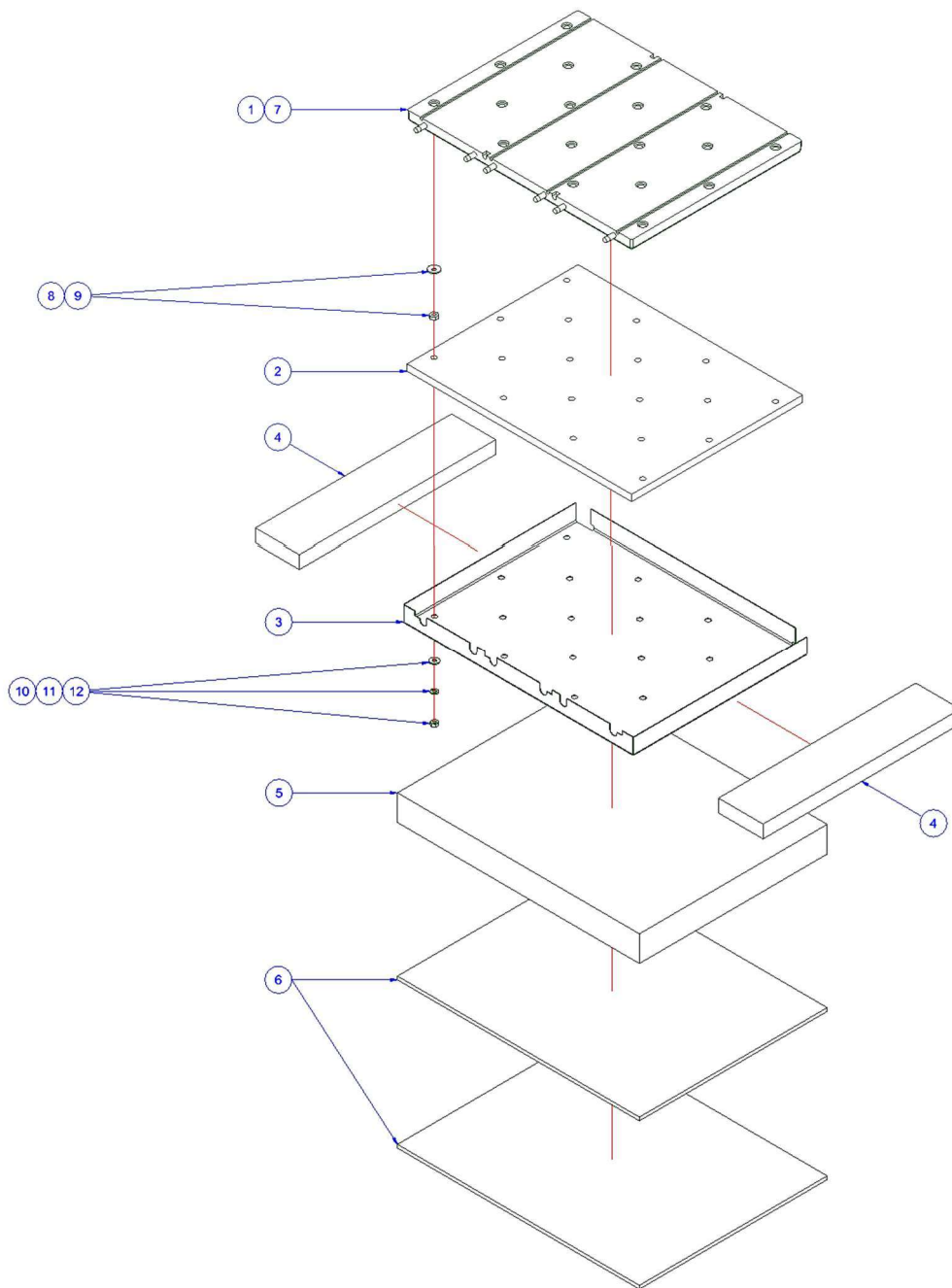
**Description: Fan/Guard Assembly, 22CET6.1**



Item	Qty	Part No.	Description
1	1	108171	WHEEL, BLOWER BMW-334
2	1	1118681	GUARD, FAN, STEAMCHEF
3	1	1118683	GUARD, BACKPLATE, FAN, STEAMCHEF 6.1

**Part Number: 113905**

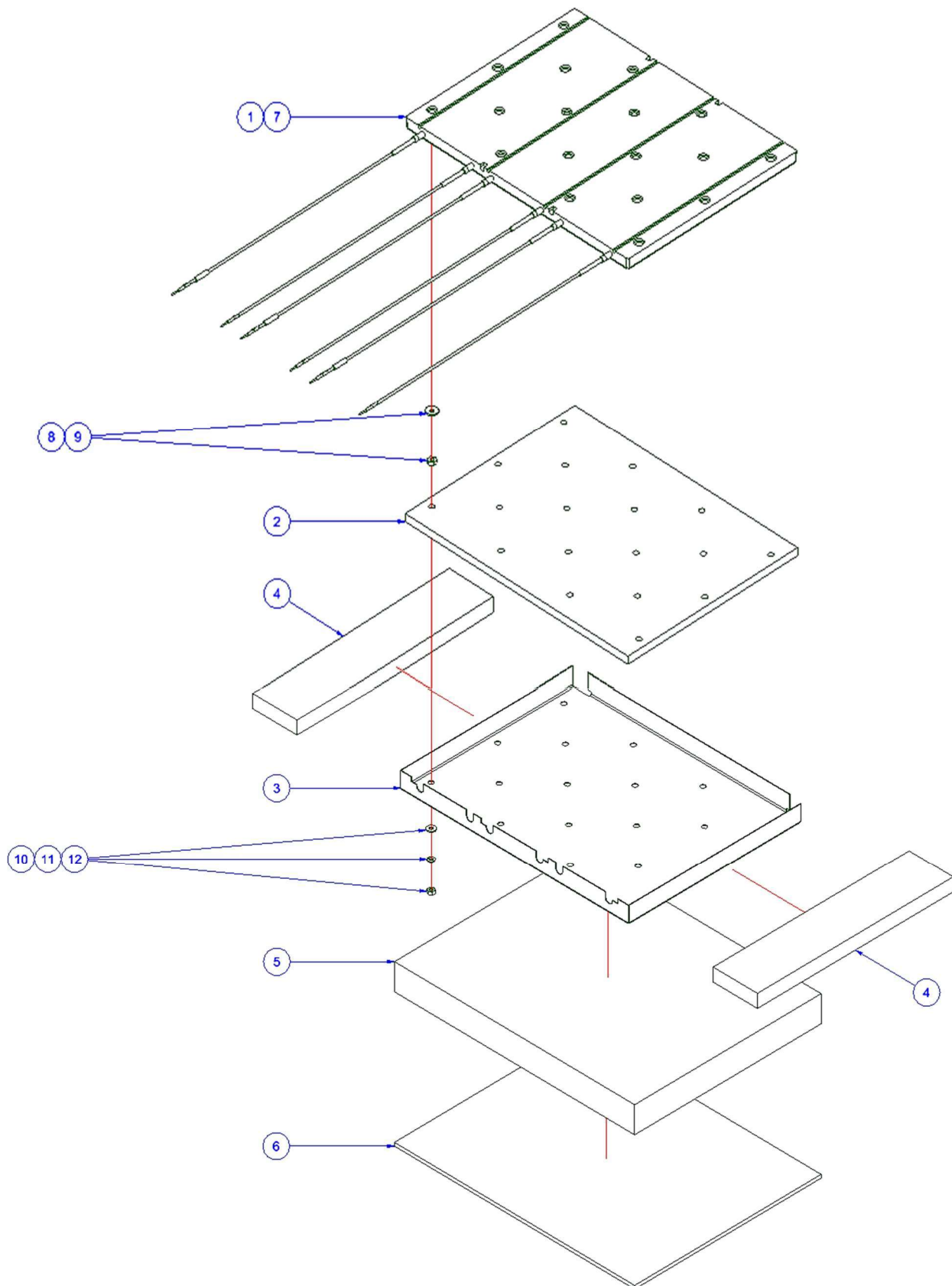
**Description: Heater Block (220V), 22CET3.1 & 22CET6.1**



Item	Qty	Part No.	Description
1	1	300705	BLOCK HEATER, 12KW, 220V
2	1	113248	INSULATION BOARD, 1/2", BOT., CHEF 3.1, 6.1 ELEC.
3	1	112658	HEAT SHIELD, 12KW HEATER BLOCK, STEAMCHEF
4	2	110679	INSULATION, FIBERGLASS, BOTTOM FRONT, STEAMCHEF 3
5	1	110805	INSULATION, BOTTOM PAN, STEAMCHEF
6	2	109136	INSULATION, BOTTOM PAN, STEAMCUB, H.L.
7	0.0384 EA	109139	COMPOUND, HEAT TRANSFER
8	18	112480	WASHER, BELLEVILLE, 1/4"SS .258 IDx.813 ODx.062 THK
9	18	112481	NUT, HEX, 1/4-20 X 7/16 BR
10	6	23116	WASHER, FLAT, .281 ID x.625 OD x .065 THK, SST
11	6	23105	WASHER, LOCK, 1/4" KATLINK STYLE, SST
12	6	14618	NUT, HEX, 1/4-20, STAINLESS STEEL

Part Number: 113907

Description: Heater Block (480V), 22CET3.1 & 22CET6.1



Item	Qty	Part No.	Description
1	1	300761	BLOCK HEATER, 12KW, 480V
2	1	113248	INSULATION BOARD, 1/2", BOT., CHEF 3.1, 6.1 ELEC.
3	1	112658	HEAT SHIELD, 12KW HEATER BLOCK, STEAMCHEF
4	2	110679	INSULATION, FIBERGLASS, BOTTOM FRONT, STEAMCHEF 3
5	1	110805	INSULATION, BOTTOM PAN, STEAMCHEF
6	1	109136	INSULATION, BOTTOM PAN, STEAMCUB, H.L.
7	0.0384 EA	109139	COMPOUND, HEAT TRANSFER
8	18	112480	WASHER, BELLEVILLE, 1/4" SS .258 IDx.813 ODx.062 THK
9	18	112481	NUT, HEX, 1/4-20 X 7/16 BR
10	6	23116	WASHER, FLAT, .281 ID x.625 OD x .065 THK, SST
11	6	23105	WASHER, LOCK, 1/4" KATLINK STYLE, SST
12	6	14618	NUT, HEX, 1/4-20, STAINLESS STEEL

Part Number: KE004164

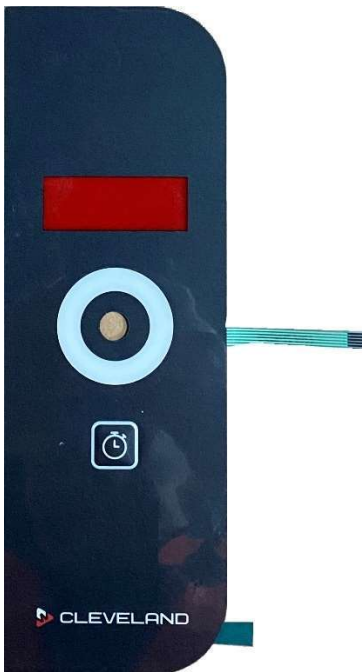
Description: Easy Timer Assembly, 22CET3.1 & 22CET6.1



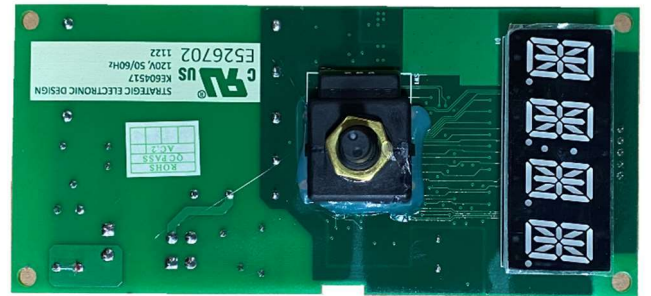
KE604176 EasyTimer Control/Timer Knob



KE604710 EasyTimer Plastic Insert



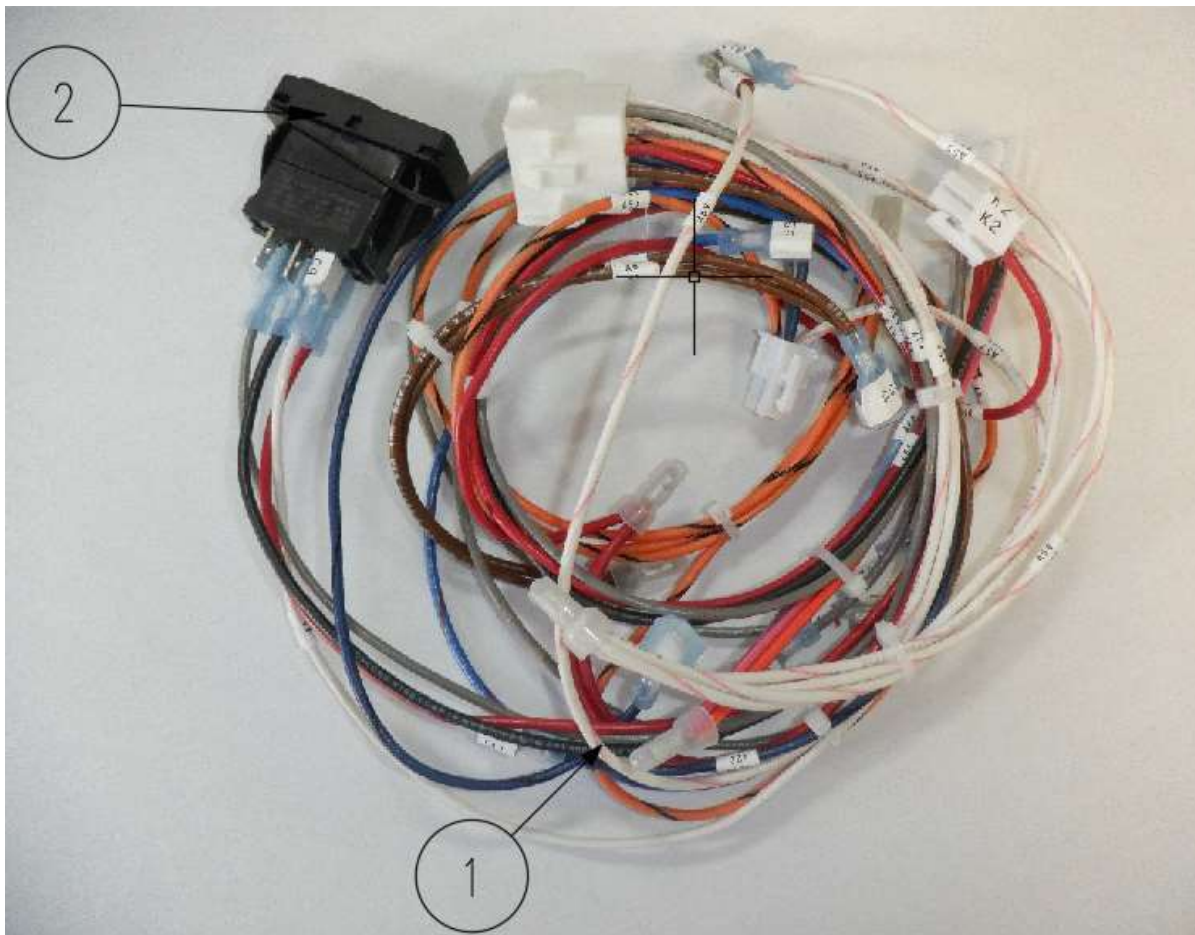
KE604518 EasyTimer Overlay



KE604517 EasyTimer PCB

**Part Number: KE604715**

**Description: POWER, EZT, WIRING HARNESS, 22CET3.1/6.1**

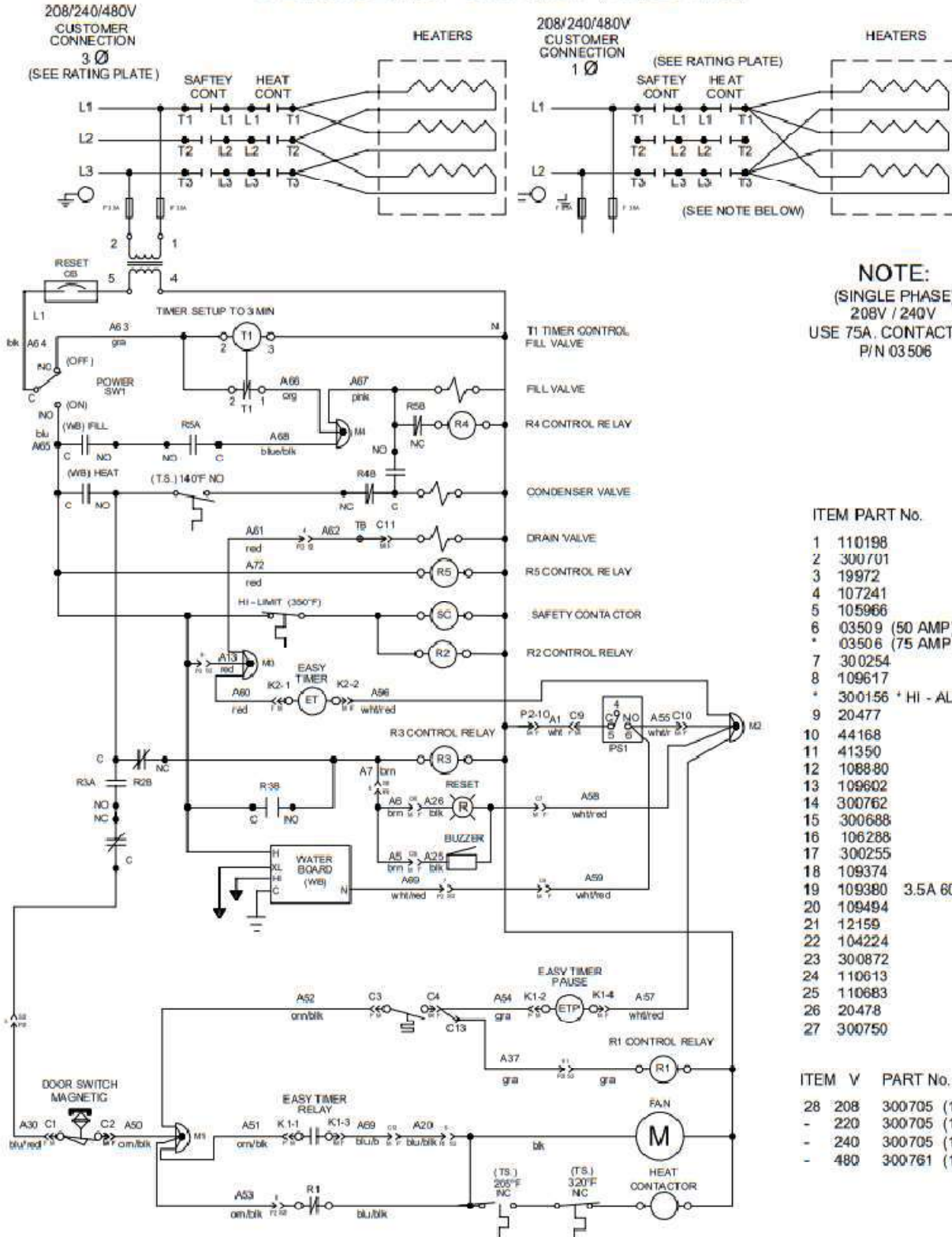


Item	Qty	Part No.	Description
1	1	WHTKE604715	EASYTIMER WIRING HARNESS ASSY; 22CET3.1/6.1
2	1	19993	SWITCH, ROCKER ILLUMINATED MAINTAINED CONTACT

Part Number: KE604608

Description: Wiring Diagram (1 of 2)

STEAMCHEF 6.1 /3.1 EASY TIMER (THREE PHASE)

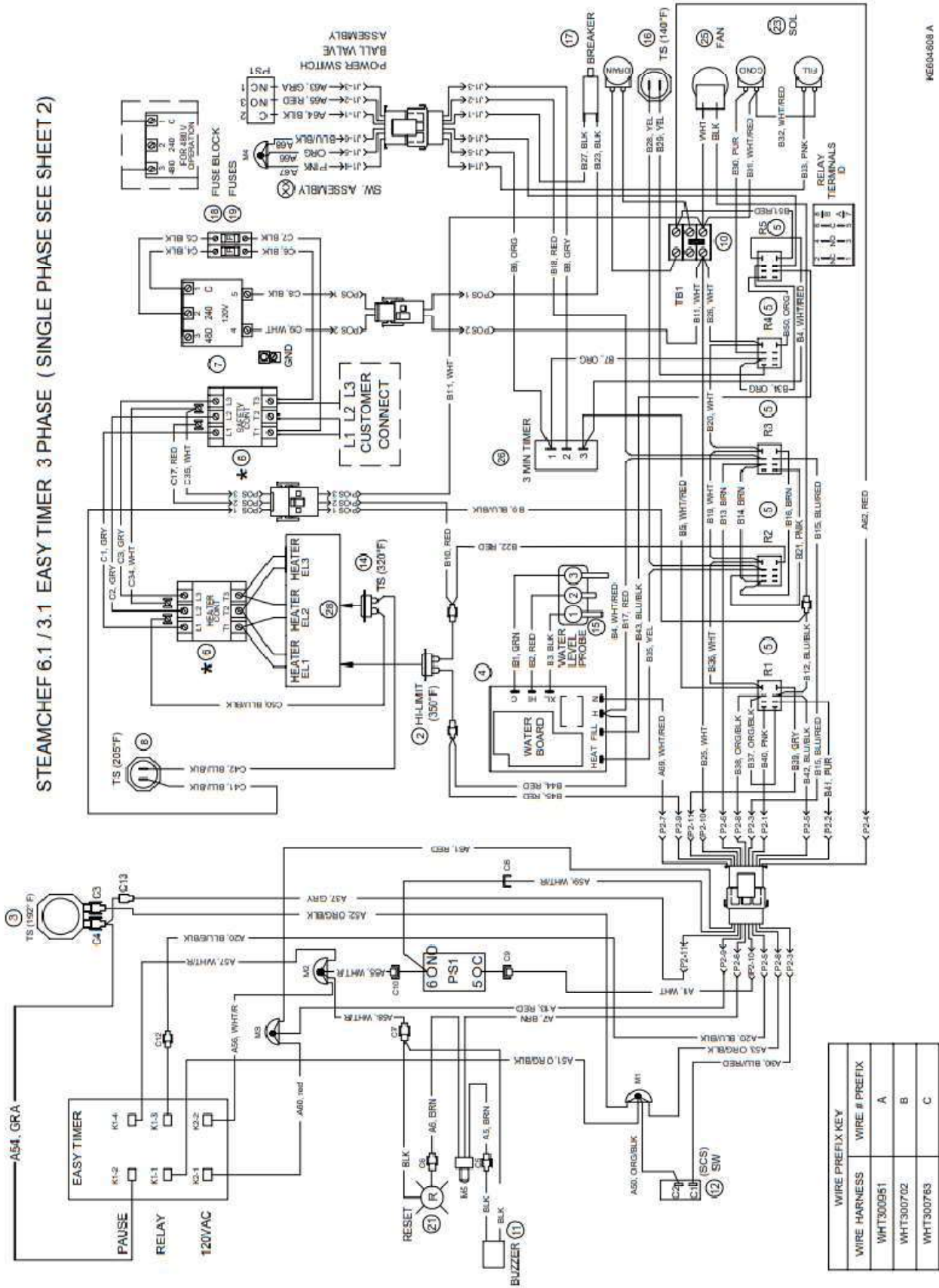


**NOTE:**  
 (SINGLE PHASE)  
 208V / 240V  
 USE 75A. CONTACTORS  
 P/N 03506

- ITEM PART No.
- 1 110198
  - 2 300701
  - 3 19972
  - 4 107241
  - 5 105966
  - 6 03509 (50 AMP)
  - \* 03506 (75 AMP TS)
  - 7 300254
  - 8 109617
  - \* 300156 \* HI - ALTITUDE 198°F
  - 9 20477
  - 10 44168
  - 11 41350
  - 12 108880
  - 13 109602
  - 14 300762
  - 15 300688
  - 16 106288
  - 17 300255
  - 18 109374
  - 19 109380 3.5A 600V
  - 20 109494
  - 21 12159
  - 22 104224
  - 23 300872
  - 24 110613
  - 25 110683
  - 26 20478
  - 27 300750

- ITEM V PART No.
- 28 208 300705 (10.7 KW)
  - 220 300705 (12 KW)
  - 240 300705 (14.3 KW)
  - 480 300761 (12 KW)

Part Number: KE60408  
 Description: Wiring Diagram (2 of 2)



KE60408 A

# Cleveland

## Service/Parts:

1-844-724-2273

US: Press #4 after prompt to be directed to Technical Services. Press #2 after prompt to be directed to Cleveland.

Canada: Press #1 after prompt to be directed to service in Canada.

---

Every new piece of Welbilt Foodservice equipment comes with KitchenCare® and you choose the level of service that meets your operational needs from one restaurant to multiple locations

**StarCare** – Warranty & lifetime service, certified OEM parts, global parts inventory, performance audited

**ExtraCare** – CareCode, 24/7 Support, online/mobile product information

**LifeCare** – Install & equipment orientation, planned maintenance, KitchenConnect™, MenuConnect®

**Talk with KitchenCare®** • 1-844-724-CARE • [www.mtwkitchencare.com](http://www.mtwkitchencare.com)



To learn how Welbilt Foodservice and its leading brands can equip you, visit our global web site at [www.welbilt.com](http://www.welbilt.com), then discover the regional or local resources available to you.

©2016 Welbilt Foodservice except where explicitly stated otherwise. All rights reserved. Continuing product improvement may necessitate change of specifications without notice.