

SteamCraft

Cleveland

Electric Convection Steamers with Easy Timer

Parts Manual

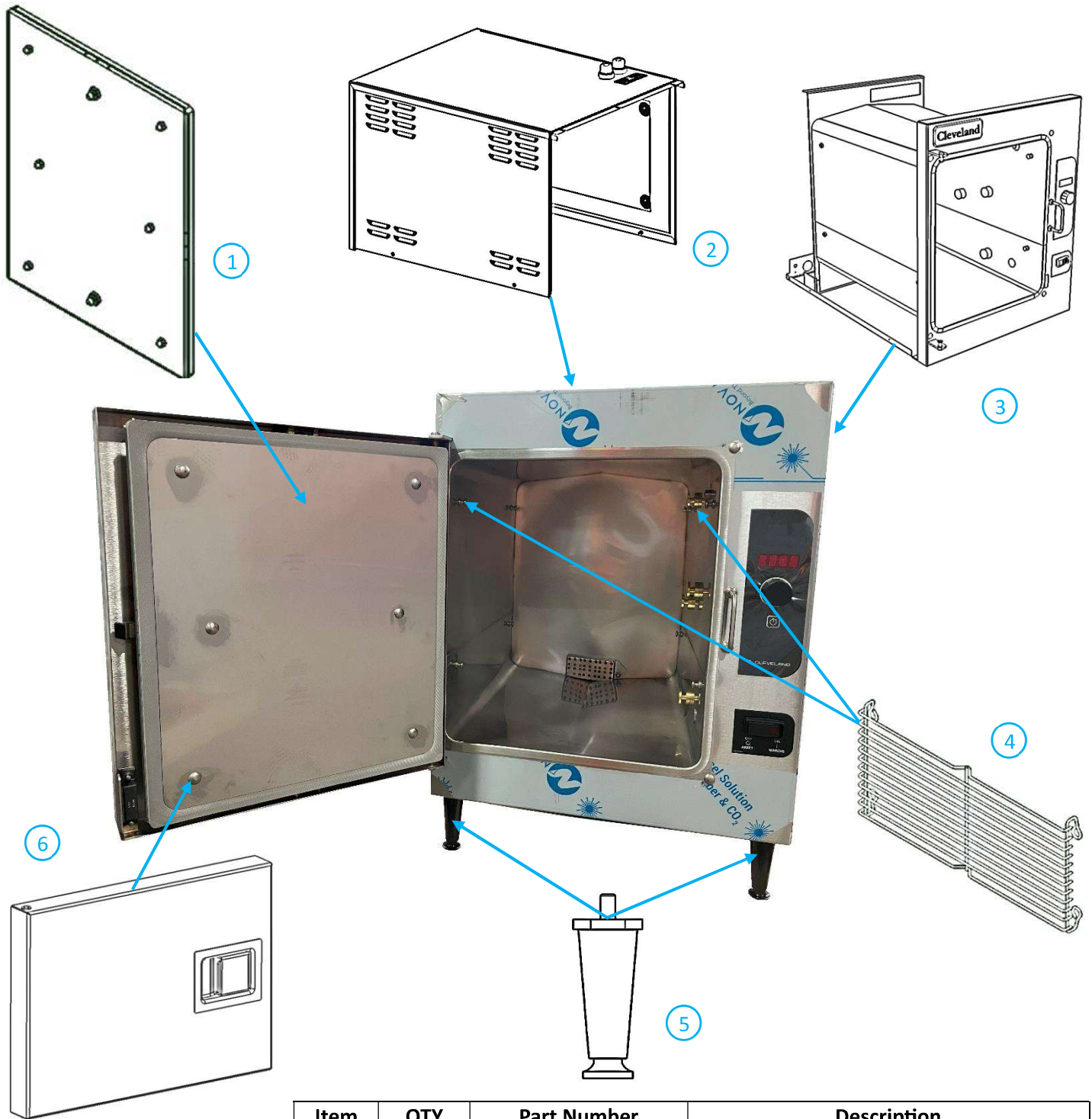
MODEL:

21CET16



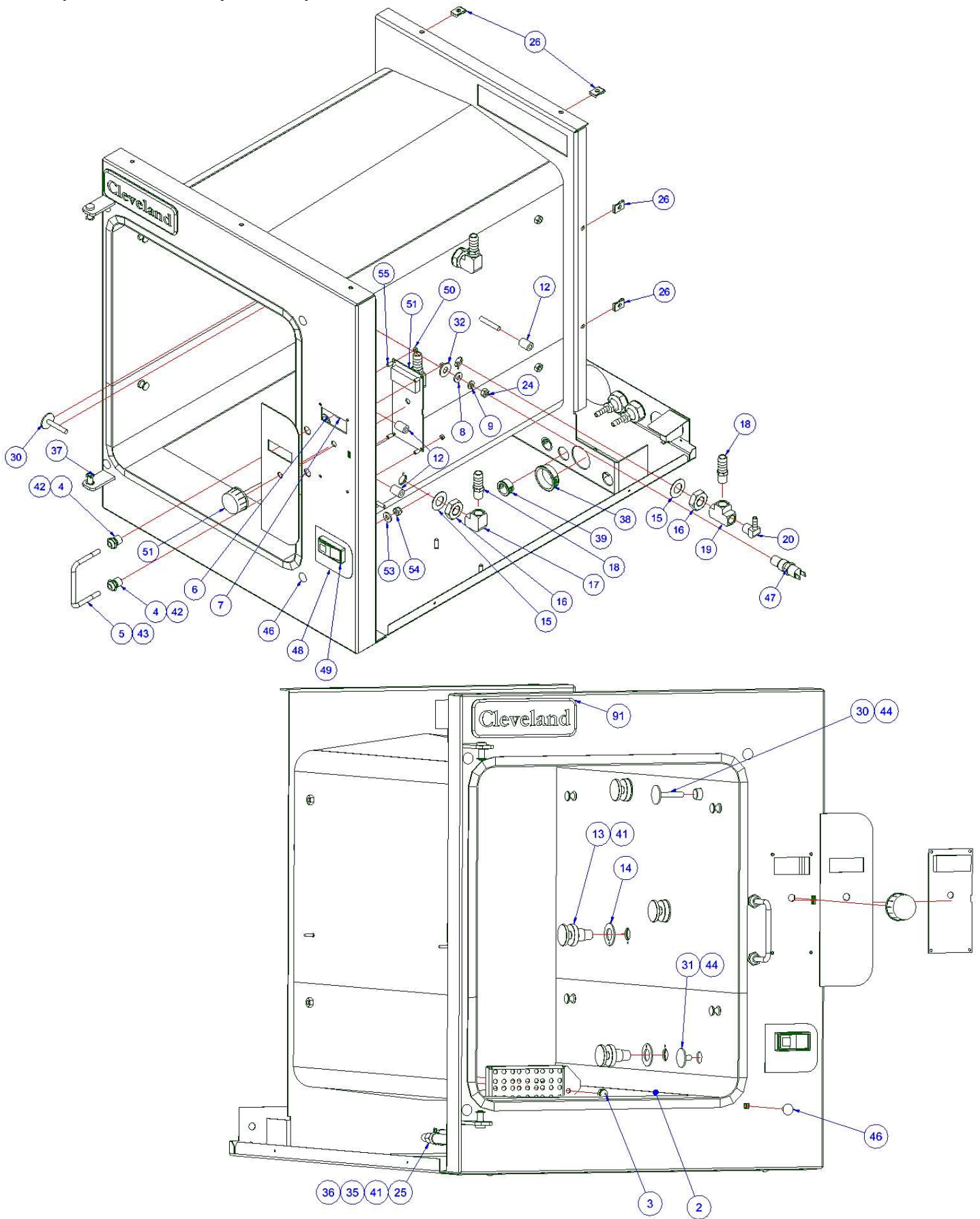
Part # KE004034-22 Rev A
March 2024

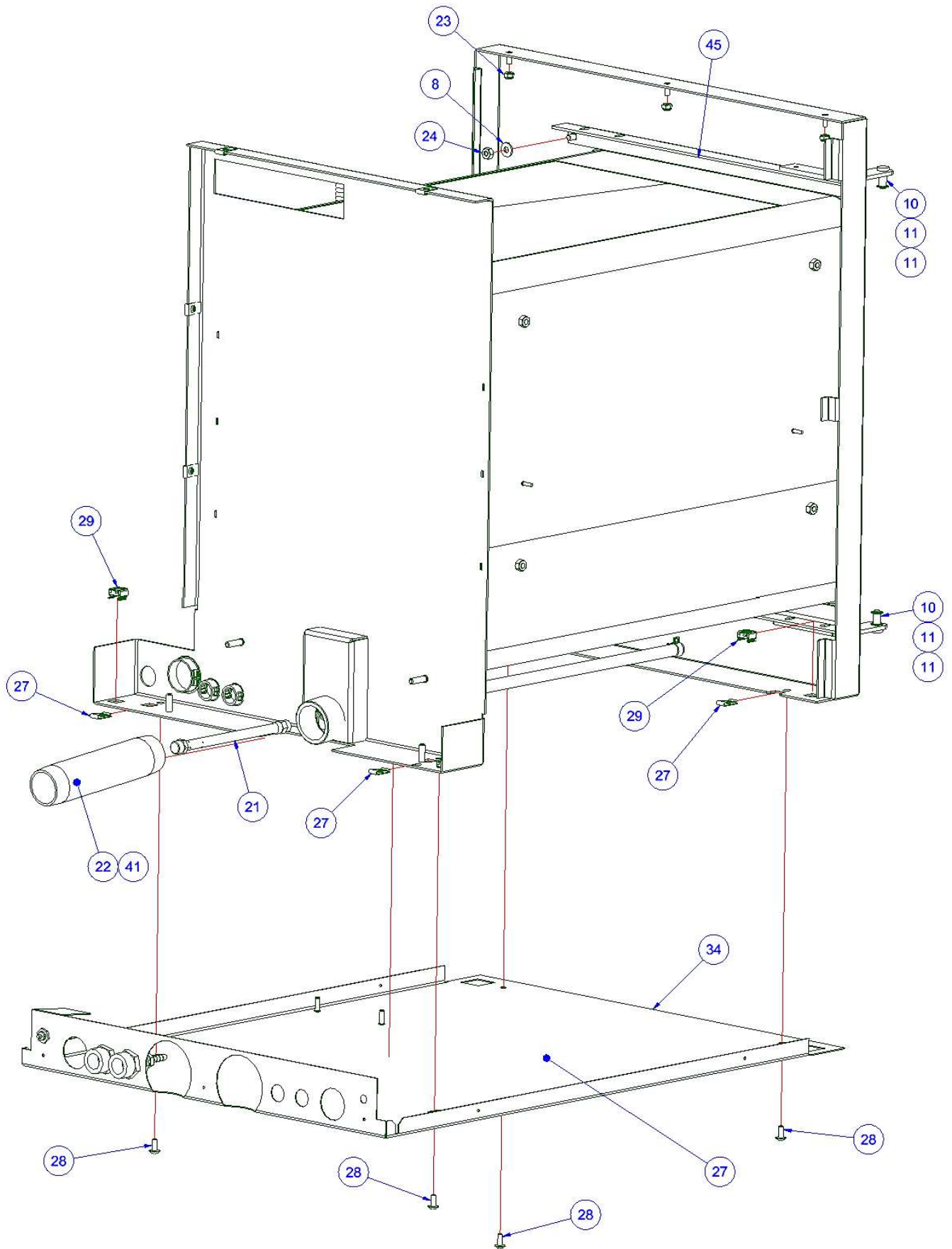
Description: General Body Assembly 1



Item	QTY	Part Number	Description
1	1	104202	INNER DOOR ASSEMBLY
2	1	114165-1	SHEETING, HL, SC5
3	1	KE004147-11	BODY ASSEMBLY, HL
4	1	414232	RACK ASSEMBLY
5	4	1014501	LEG, 4" ADJUSTABLE
6	1	114173-1	OUTER DOOR ASSEMBLY

Description: General Body Assembly 2

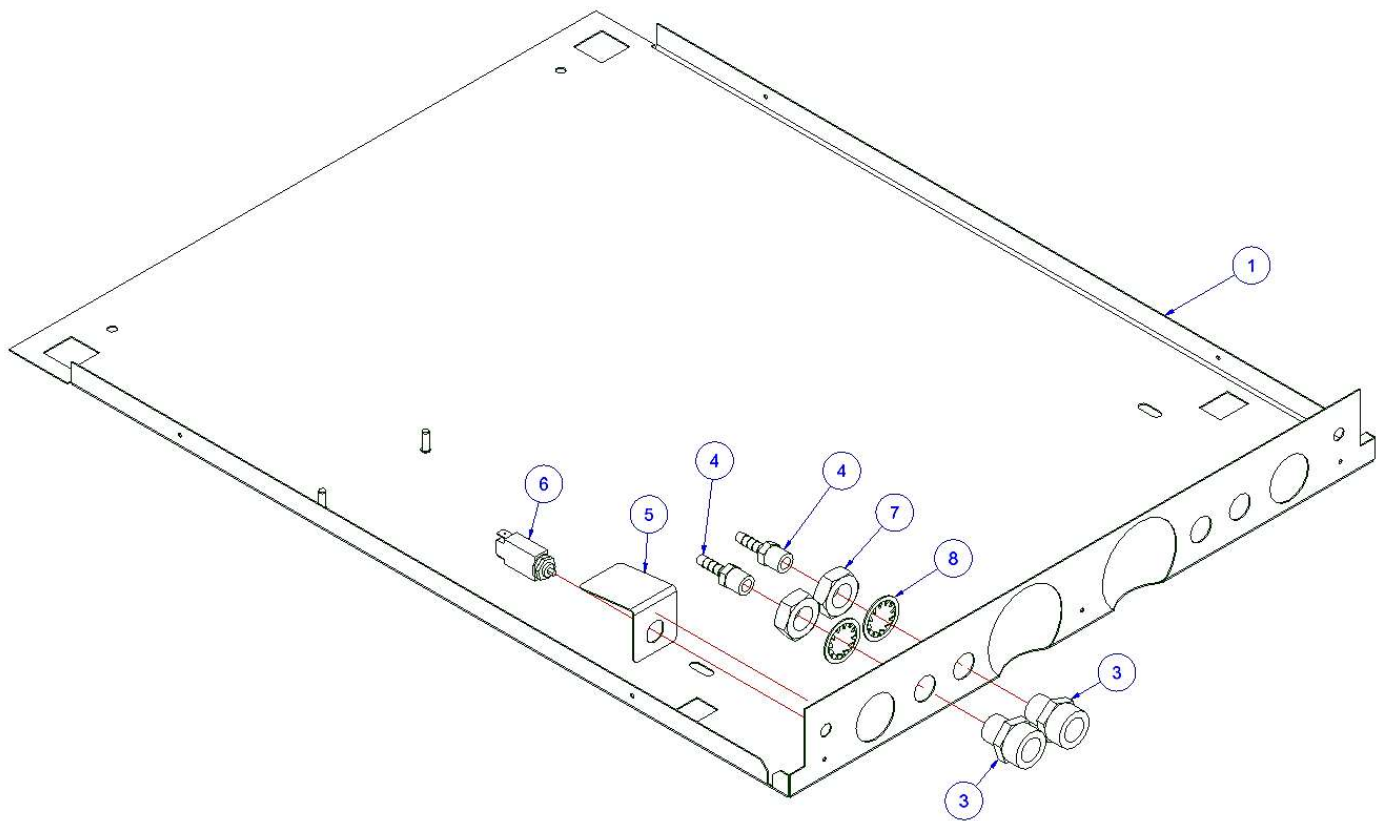




Item	QTY	Part Number	Description
2	1	69298	SCREEN;DRAIN COMPARTMENT (STAINLESS)
3	1	14677	NUT, ACORN, 1/4-20, SST
4	2	14695	NUT, DOOR CATCH MOUNTING
5	1	104046	CATCH, DOOR
6	2	23149	WASHER, NYLON, TYPE 6/6
7	2	14649	NUT, HEX, 1/2-13, ZINC PLTD
8	5	23116	WASHER, FLAT, .281 ID x.625 OD x .065 THK, SST
9	1	23105	WASHER, LOCK, 1/4" KATLINK STYLE, SST
10	2	104077	PIN, HINGE
11	4	104062	RING, EXT, RETAINING, SST
12	3	195552	SPACER,1/4" I.D. X 1/2 O.D. X 0.688 LG.
13	4	104009	STEAM SUPPLY
14	4	104082	STEAM INJECTOR
15	4	104232	WASHER, FLAT, .640IDx.032x 1.187 OD S/S
16	4	104081	NUT, JAM 5/8-18, BRASS
17	3	05236	ELBOW, 1/4 X 90, BRASS
18	4	104048	FTG;HOSE;BARB;1/2Hx1/4 NPT
19	1	20199	TEE, 1/4", BRASS
20	1	105786	FTG, HOSE BARB, 1/4Hx1/4MPT, 90°, BRASS
21	1	104840	X,ASSY,NOZZLE REPLACEMENT
22	1	104485	NIPPLE, 1.250 NPT X 6.500, SCH 40 BLACK
23	3	14672	NUT, HEX, 10-32, ELASTIC LOCK, ZINC PLTD
24	5	14618	NUT, HEX, 1/4-20, STAINLESS STEEL
25	1	106005	FTG, HOSE BARB, 1/4 H x 1/8 FPT, STRAIGHT, BRASS
26	4	106217	NUT, SLIPON, 1/4-20
27	4	106699	NUT, SLIPON, #10-24, TIN. C17205-1024
28	4	101231	SCREW, 10-24 X 0.500 SST, PHILLIPS TRUSS HEAD
29	4	112781	NUT, CAGE 3/8-16NC
30	1	104409	CLOSURE, THERMAL SWITCH, OPENING, 1-1/2"
31	1	114117	CLOSURE,THERMAL SWITCH, OPENING, 1/2"
32	1	23136	WASHER, FLAT, 3/8"ID, 7/8"OD, 1/16"THK, SST
34	1	113972	ASSY, BASE, HL, SC 3/5
	1	113973	ASSY, BASE, HR, SC 3/5
35	1	1.06E+09	HOSE, NYLON REINFORCED, 1/4" ID, 19" LG
36	2	1073121	CLAMP; HOSE; 1/4 ID; METAL TENSION BAND
37	2	KE604469	HINGE, DOOR
38	1	102581	BUSHING, SNAP-IN FOR 1 1/2 DIA HOLE
39	2	02600	BUSHING, INSULATOR, 11/16 ID
40	A/R	00944	TAPE, DUCT 3 IN X 60 YD SLVR CLOTH
41	A/R	00934	SEALANT; PIPE DOPE ONE PINT CAN
42	A/R	01205	ADHESIVE, LOCTITE, GREEN, 10ML, ITEM#29021, WICKING
43	A/R	107507	ADHESIVE, LOCTITE, BLUE, THRD LKER 242, 50ML, #24231
44	A/R	107034	SEALANT, DOW CORNING, #736
45	2	KE604467	HINGE, ANGLE
46	4	108644	SCREW, CARRIAGE, 1/4-20x1/2, SST (RND HEAD, SQ NECK)
47	1	19972	SWITCH, THERMAL CLOSE 193 DEG. F
48	1	KE604449	LABEL, ON/ OFF
49	1	19993	SWITCH, ROCKER, DPDT, RED LT./IND. TERM. 15A, 125V
50	4	KE604587	EASY TIMER NUT
51	1	KE004164	EASY TIMER ASSY
52	1	KE003929	ASSEMBLY, DOOR STEAM CUTOFF SWITCH, COUNTERTOP STEAMERS
53	1	FA30505-1	FLAT Washer 1/4
54	1	14665	NUT, HEX, 1/4-20 LOCK, SST (NYLON INSERT)
55	4	KE604586	EASY TIMER SPACER
91	1	105901-1	NAMEPLATE CLEVELAND LOGO

Assembly Number: 113972 (HL) & 113973 (HR)

Description: Base Assembly S/C 3, No Stack, HL & HR



Item	QTY	P/N	Description
1	1	108844 113971	PAN, BASE, WELD ASSY, S/C 3.1/5.1, HL PAN, BASE, WELD ASSY, S/C 3.1/5.1, HR
3	2	115243	BULKHEAD FITTING, 3/4-16 X 3/4-11.5 GHT GARDEN HOSE
4	2	104381	FTG, HOSE BARB, 1/4hx1/4MPT, STR, BR
5	1	108848	BRACKET, CIRCUIT BREAKER SHIELD STEAMCRAFT 3.1 & 5.1
6	1	108331	BREAKER, CIRCUIT 1.0 A
7	2	115258	NUT, HEX, JAM, 3/4-16, BRASS
8	2	115259	WASHER, LOCK, 3/4", ZINC, INTERNAL TOOTH

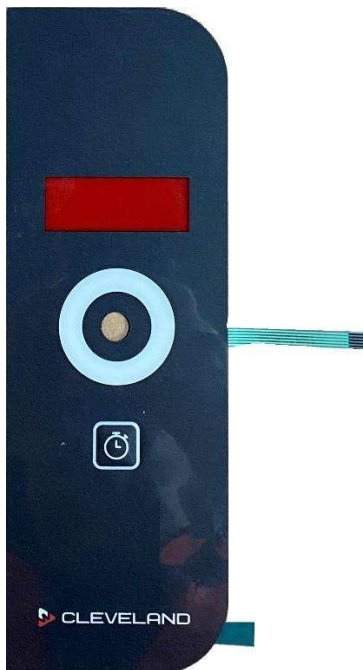
Assembly Number: KE004164
Description: EasyTimer Assembly



KE604176 EasyTimer Control/Timer Knob



KE604517 EasyTimer PCB

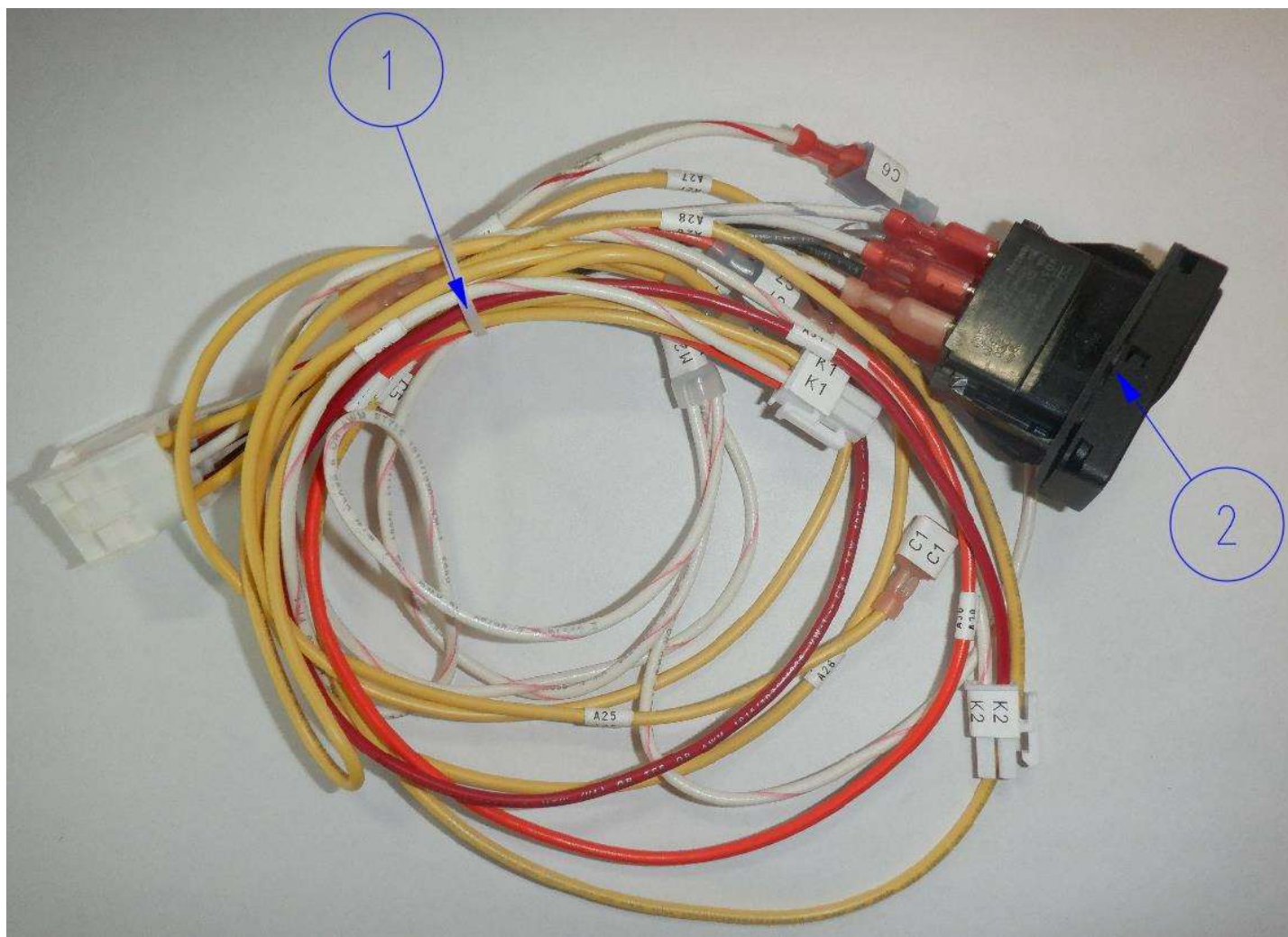


KE604518 EasyTimer Overlay



KE604710 EasyTimer Plastic Insert

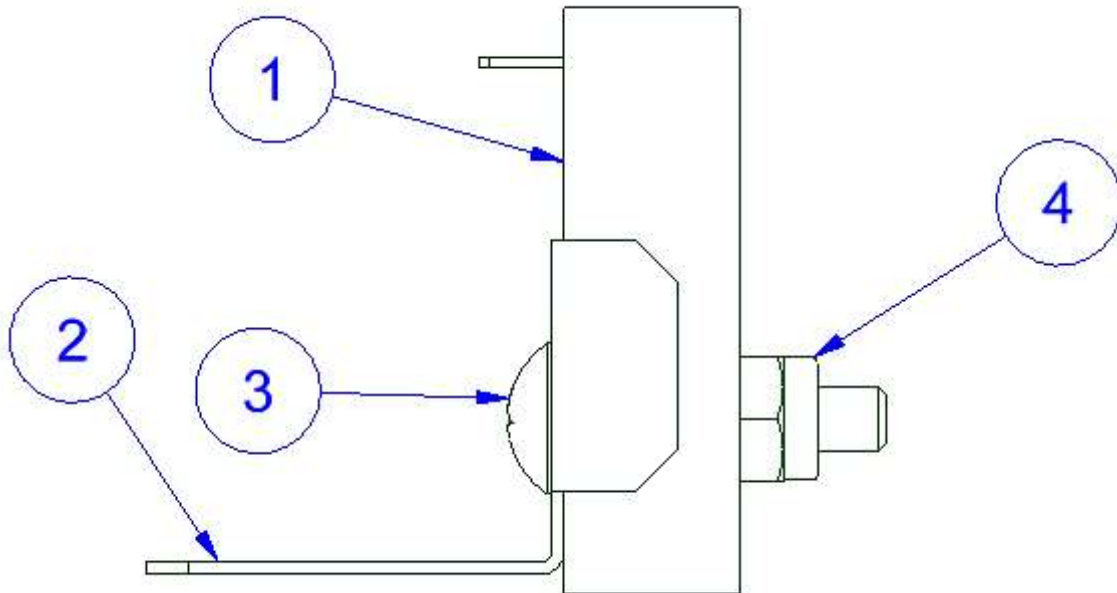
Assembly Number: KE604617
Description: Power Wiring Harness



Item	QTY	P/N	Description
1	1	WHTKE604617	WIRING HARNESS, EASY TIMER 21CET8/16MCS (HL/HR)
2	1	19993	SWITCH, ROCKER ILLUMINATED MAINTAINED CONTACT

Assembly Number: KE003929

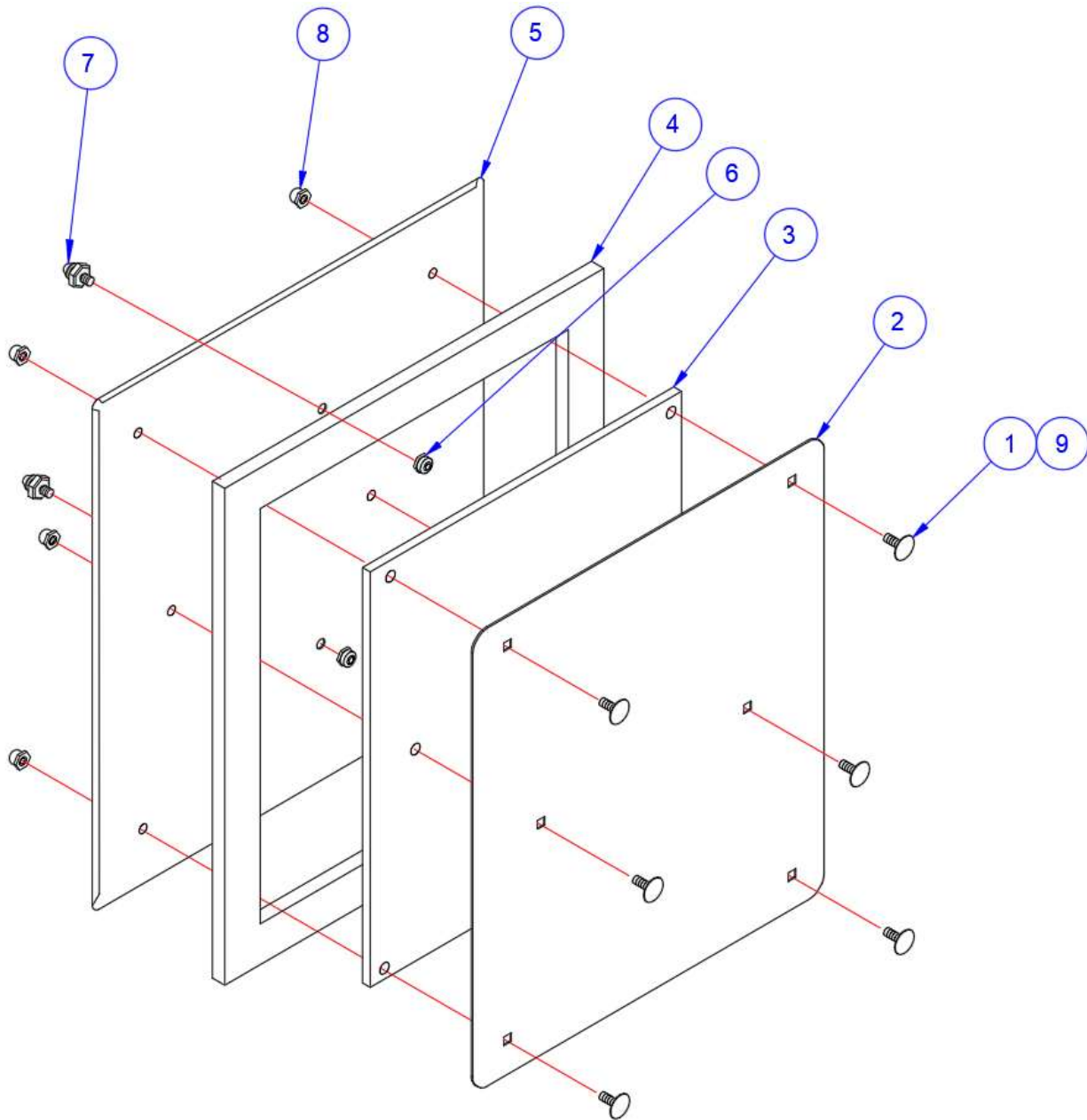
Description: Door Steam Cut Off Switch Assembly



Item	QTY	P/N	Description
1	1	108880	SWITCH, DOOR STEAM CUTOFF
2	1	KE604150	BRACKET; STEAM CUTOFF SWITCH; COUNTERTOP STEAMERS
3	1	KE604172	SCREW, 10-24 X 1.00 SST, PHILLIPS TRUSS HEAD
4	1	104616	NUT, HEX, LOCK, 10-24, SST, NYLON INSERT

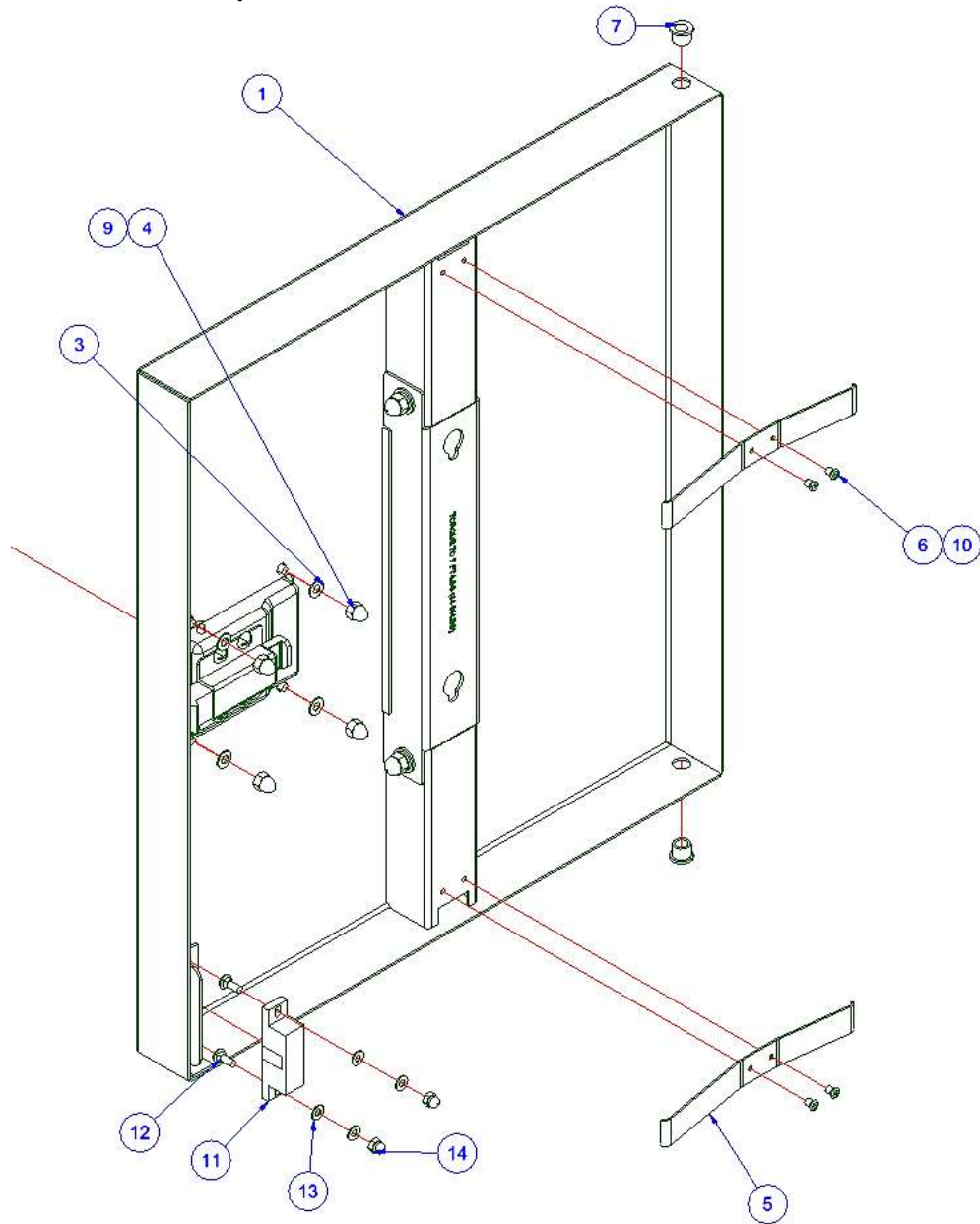
Assembly Number: 104202

Description: Inner Door Assembly



Item	QTY	P/N	Description
1	6	104719	BOLT, CARRIAGE 1/4-20 X 1.000 LG
2	1	104021	PLATE, GASKET RETAINER, S/C 5.1
3	1	104022	PLATE, INNER GASKET RETAINER, S/C 5.1
4	1	104026	GASKET, DOOR S/C 5.1
5	1	104023	DOOR, INNER, S/C 5.1
6	2	14665	NUT, HEX LOCK, 1/4-20 SST
7	2	66508	STUD, DOOR MOUNTING, INNER
8	6	146771	NUT, ACORN, THRD LOCK, 1/4-20, SST
9	A/R	00933	SEALANT; RTV; CLEAR

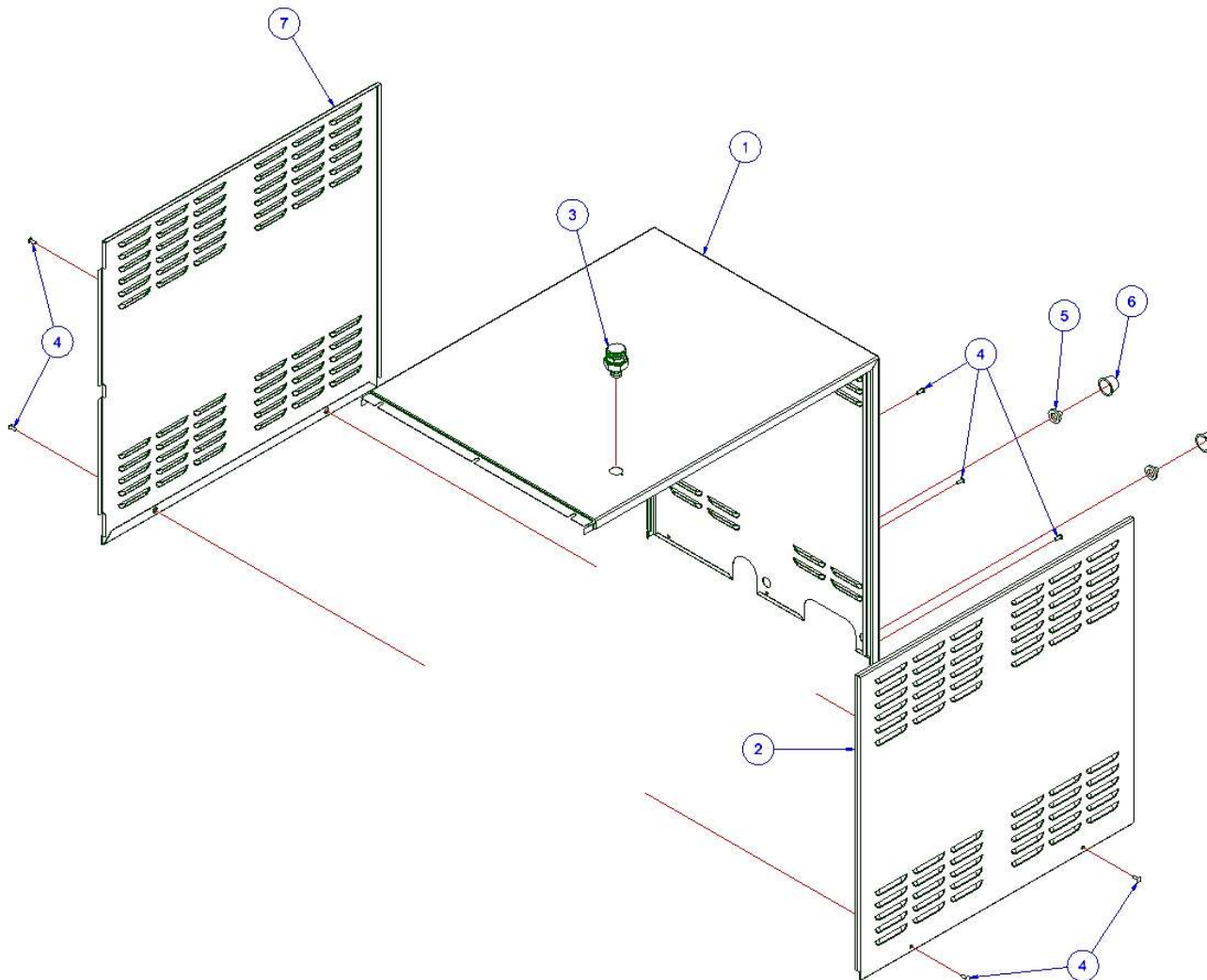
Assembly Number: 114173-1
Description: Outer Door Assembly



Item	QTY	P/N	Description
1	1	114175-1	DOOR, OUTER, WELD, HL/HR
3	4	101655	WASHER, FLAT, #10, SST
4	4	11000115589	NUT, #10-24, HIGH CROWN ACORN, SST
5	2	102228	SPRING, DOOR, 3/5 PAN
6	4	18357	RIVET, FLUSH BREAK, 0.125 DIA, 0.126/0.187 GRIP, SST
7	2	103641	BUSHING, DOOR HINGE
9	A/R	104146	LOCKTITE #222 LOW STRENGTH
10	A/R	00933	SEALANT, RTV, CLEAR
11	1	108879	MAGNET, DOOR STEAM CUTOFF
12	2	111592	SCREW, 8-32 X 1/2 CARRIAGE HEAD, SST
13	4	101336	WASHER, FLAT, #8, SST
14	2	109164	NUT, HEX, ACORN, 8-32, SST, W/ THREAD LOC
15	1	103643	LATCH, DOOR-PADDLE TYPE

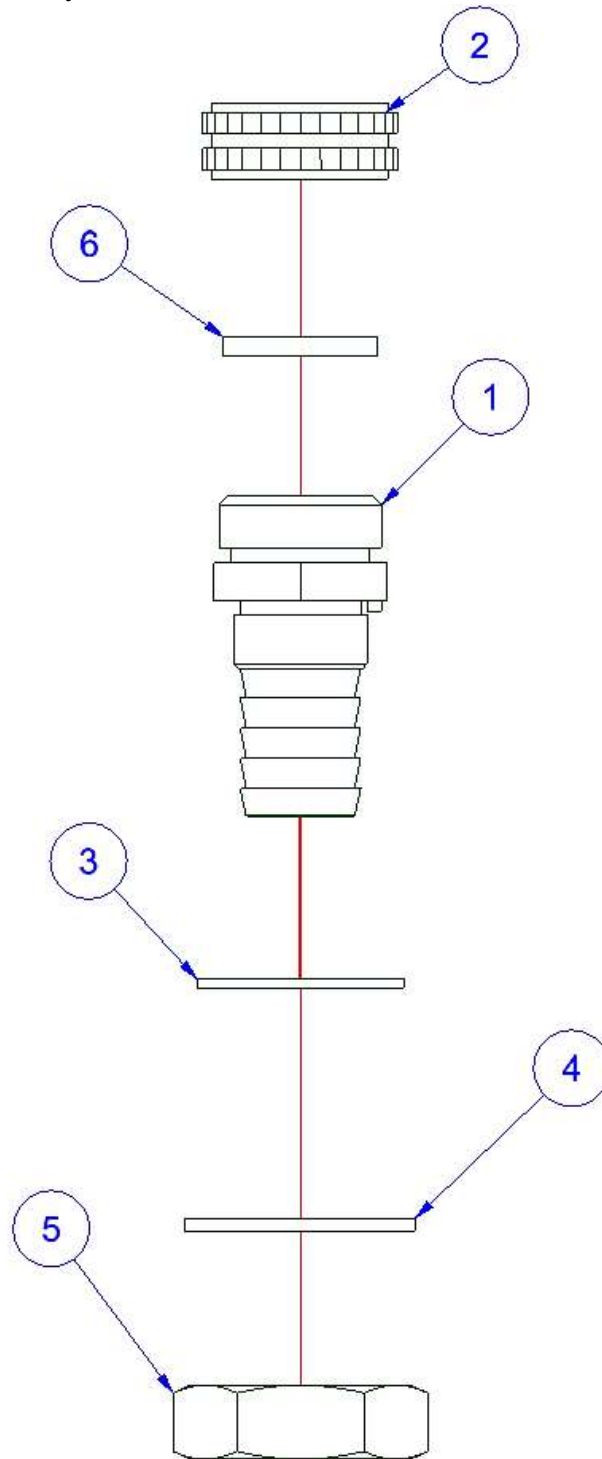
Assembly Number: 114165-1 (HL) & 114166-1 (HR)

Description: Sheeting, HL & HR



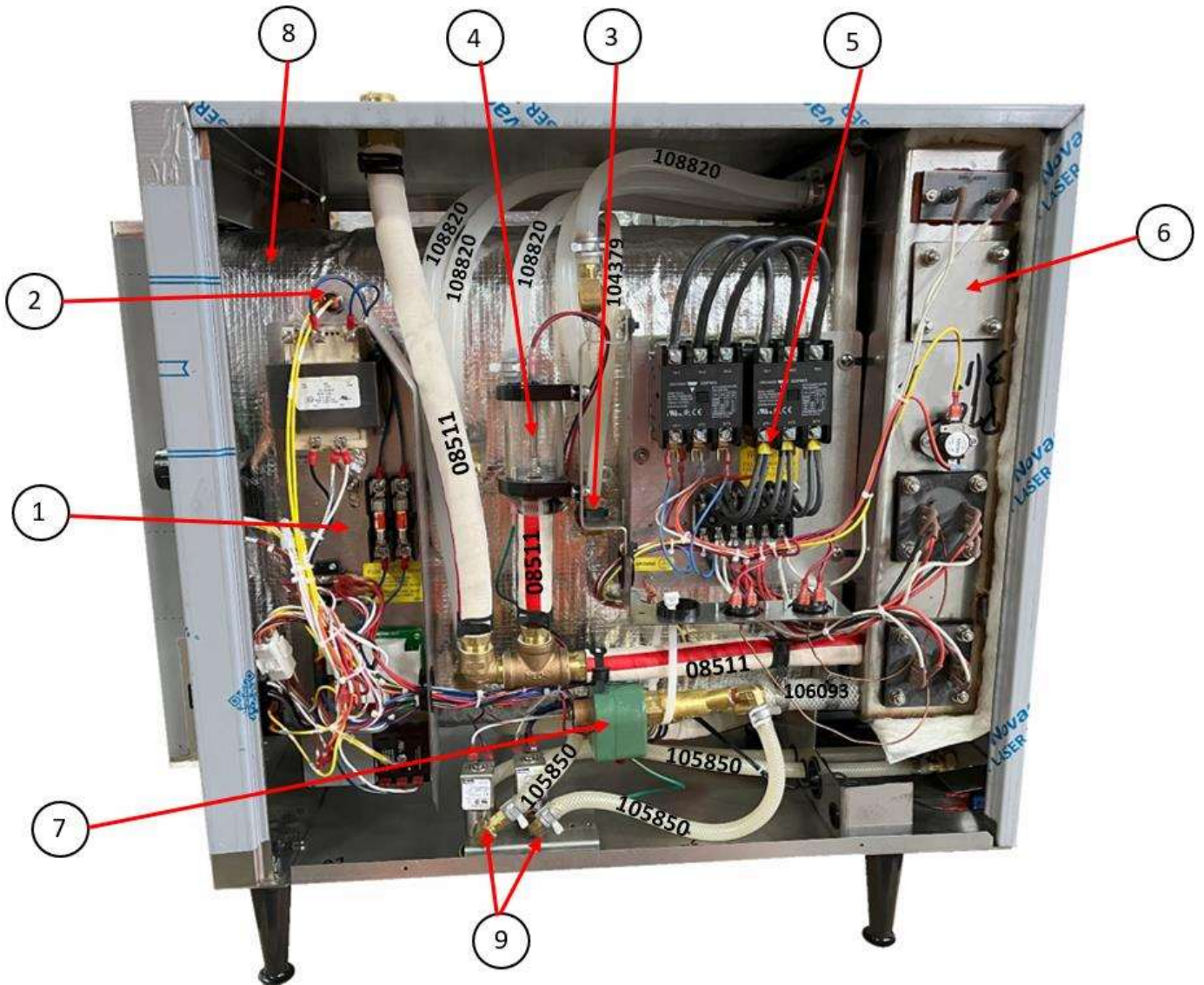
Item	QTY	P/N	Description
1	1	104037	SHEETING, TOP/BACK, HL STEAMCRAFT 5.1
	1	1040371	SHEETING, TOP/BACK, HR STEAMCRAFT 5.1
2	1	104038	PANEL, SIDE SHEETING STEAMCRAFT 5.1
3	1	109641	PORT ASSY, DESCALER
4	7	104080	SCREW, TR, PHH, 8x1/2, TYPE B, SST
5	2	110987	STRAINER, FILTER WASHER, GARDEN HOSE INLET
6	2	111113	CAP, NON THREADED, PROTECTOR
7	1	104038-1	PANEL, SIDE SHEETING, HL; STEAMCRAFT 5.1
	1	104038-2	PANEL, SIDE, HR; STEAMCRAFT 5.1

Assembly Number: 109641
Description: Port Descaler Assembly



Item	QTY	P/N	Description
1	1	109642	FTG., DESCALER PORT
2	1	108031	CAP, HOSE NUT 3/4" HOSE THD.
3	1	109646	GASKET, DESCALER PORT
4	1	109645	WASHER, FLAT 0.890 ID X 1.500 OD X 0.090 THK, SST
5	1	109644	NUT, HEX JAM 7/8-14, BRASS
6	1	108034	WASHER, 3/4" HOSE

Description: General Assembly 3



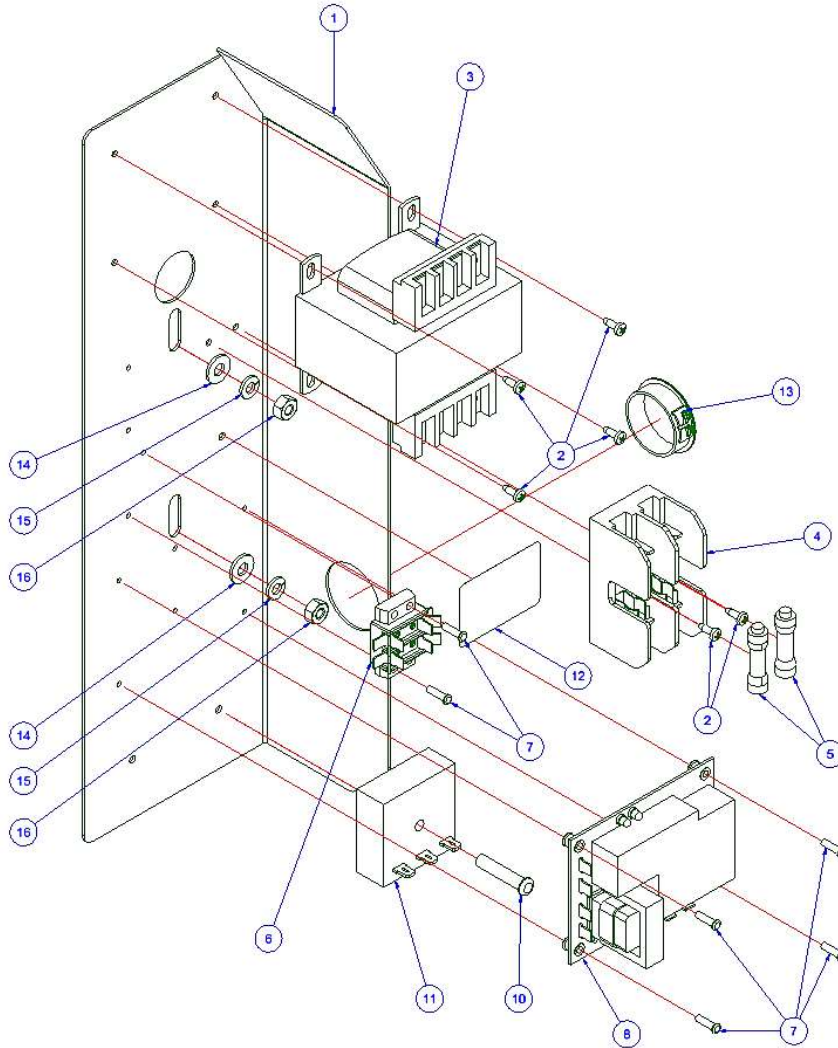
Item	QTY	Part Number	Description
1	1	112342	PANEL, CNTL, ASSY, PROBE, HL SC 3.1 & 5.1
	1	112344	PANEL, CNTL, ASSY, PROBE, HR SC 3.1 & 5.1
2	1	19972	SWITCH, THERMAL CLOSE 193 DEG. F
3	1	1070591	BREATHER/SPRAY NOZZLE ASSEMBLY
4	1	114214	PROBE DESCALE ASSY, HL, SC5
	1	114215	PROBE DESCALE ASSY, HR, SC5
5	1	300877	HI VOLTAGE PANEL, SC 5.1, HL
	1	300878	HI VOLTAGE PANEL, SC 5.1, HR
6	1	114189	GENERATOR ASSEMBLY, HL, 208V, SC5
7	1	106384	VALVE ASSEMBLY, DRAIN, STEAMCRAFT 3.1/5.1 HL
	1	1063841	VALVE ASSEMBLY, DRAIN, STEAMCRAFT 3.1/5.1 HR
8	1	104193	BODY INSULATION, SC 5.1
9	1	113976	VALVE ASSEMBLY, WATER INLET, SC3, HL
		113977	VALVE ASSEMBLY, WATER INLET, SC3, HR

Hoses & Corresponding Clamps

Hose	Description	Clamp	Description
108820	HOSE, SILICONE 1/2" I.D. X 1/8" WALL	1073122	CLAMP, HOSE, 3/4" OD, METAL
104379	HOSE, SILICONE RUBBER, 1/4" ID	104383	CLAMP, HOSE, NYLON, .500"
106093	HOSE, SILICONE, 3/4 IN ID, REINFORCED	03204	CLAMP, HOSE, WORM DRIVE 0.812 X 1.50 DIA
08511	HOSE, WHITE, EPDM, 3/4" ID	107312	CLAMP, HOSE (1-1/8" O.D. HOSE)
105850	HOSE, REINFORCED, SILICONE, 0.250 ID	1073121	CLAMP; HOSE; 1/4 ID; METAL TENSION BAND

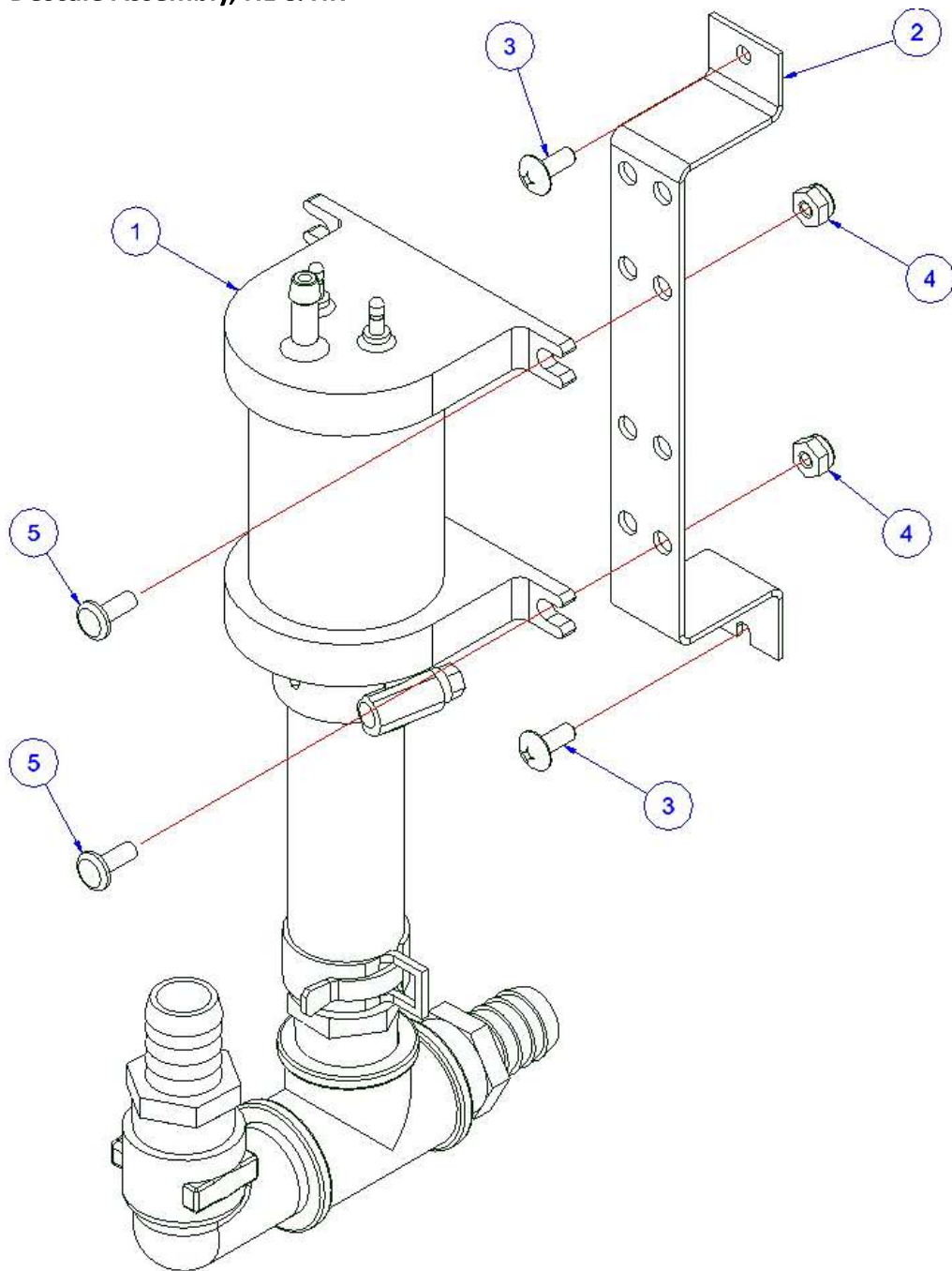
Assembly Number: 112342 (HL) & 112344 (HR)

Description: Control Panel Assembly, HL & HR



Item	QTY	P/N	Description
1	1	112311	PANEL, COMPONENT, FRONT, S/C 3.1/5.1 ELEC, 5.1 GAS, HL
	1	112340	PANEL, COMPONENT, FRONT, S/C 3.1/5.1 ELEC, 5.1 GAS, HR
2	6	106126	SCREW, 8-32 X 1/2, TORX/SLT. PAN HD
3	1	20535	TRANSFORMER, 150VA, 240V/480V PRIMARY, 120V SECONDARY
4	1	109374	BLOCK, FUSE, 2 POLE, 30 AMP
5	2	109380	FUSE, 3.5 AMP
6	1	44168	TERMINAL, BLOCK ASM, 2 POLE
7	6	106127	SCREW, 6-32 X 1/2, TORX/PAN HD
8	1	107241	BOARD, WATER LEVEL CONTROL
10	1	106124	SCREW, TORX/SLOT #10-32 X 1-1/4 LG
11	1	20478	TIMER, SOLID STATE INTERV 3 MINUTE
12	1	109986	LABEL, FUSE SIZE, 5 AMPS
13	1	102581	BUSHING, SNAP-IN FOR 1 1/2 DIA HOLE
14	2	23116	WASHER, FLAT, .281 ID x .625 OD x .065 THK, SST
	2	14618	NUT, HEX, 1/4-20, STAINLESS STEEL
15	2	23105	WASHER, LOCK, 1/4" KATLINK STYLE, SST
16	2	14618	NUT, HEX, 1/4-20, STAINLESS STEEL
	2	23116	WASHER, FLAT, .281 ID x .625 OD x .065 THK, SST

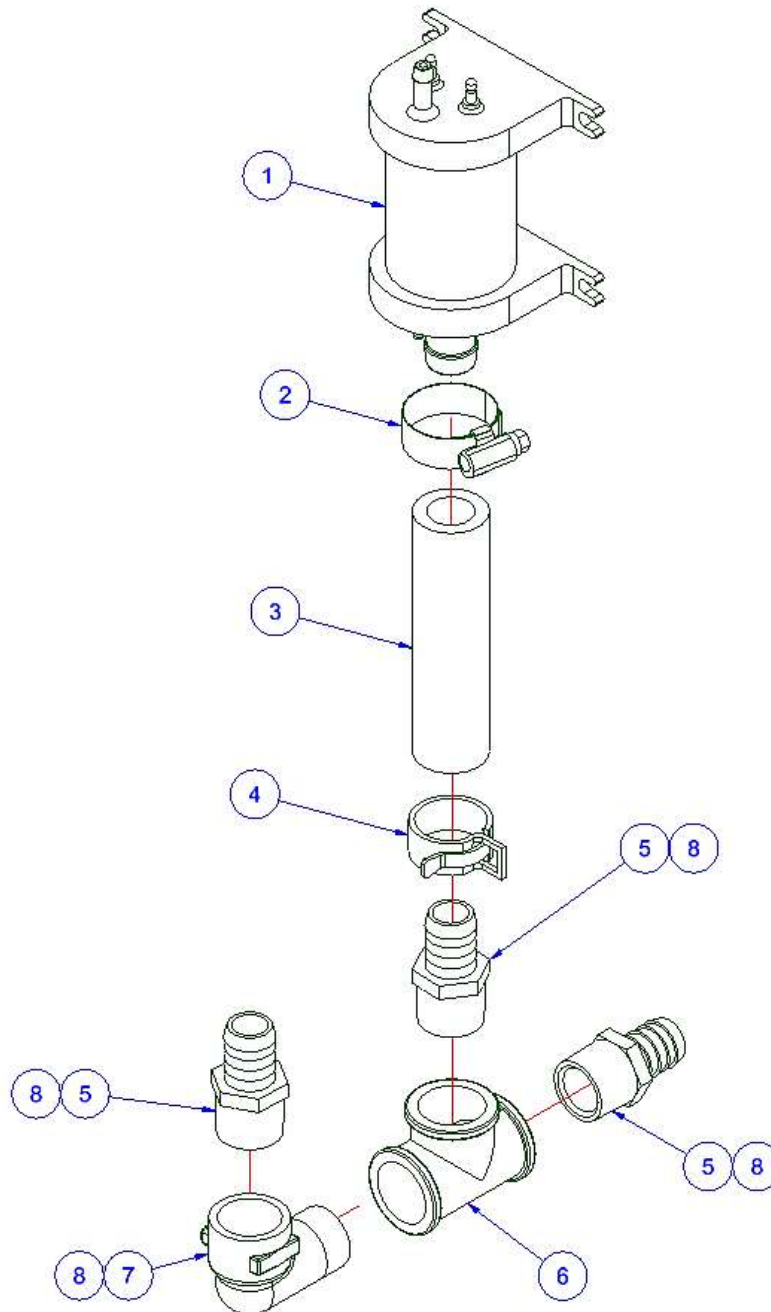
Assembly Number: 114214 (HL) & 114215 (HR)
Description: Probe Descale Assembly, HL & HR



Item	QTY	P/N	Description
1	1	106467	PROBE & DESCALER ASSY, SC5, ELEC
2	1	107525	BRACKET MOUNTING PROBE SC3/SC5
3	2	101231	SCREW, 10-24 X 0.500 SST, PHILLIPS TRUSS HEAD
4	2	14692	NUT, HEX, 10-24, ELASTIC LOCK, ZINC PLTD, FASTENER
5	2	19287	SCREW, PAN HEAD 10-24 X .50" SST

Assembly Number: 106467

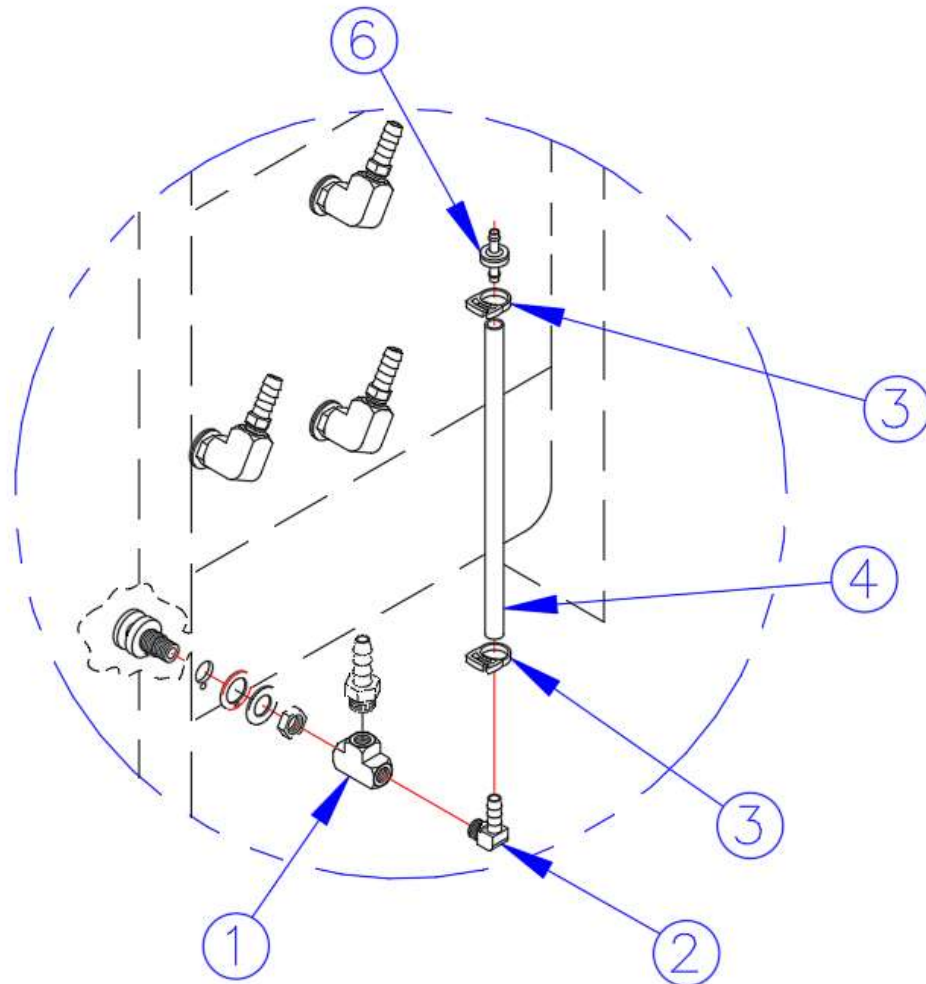
Description: Probe & Descale Assembly



Item	QTY	P/N	Description
1	1	107239	HOUSING, PROBE, PLASTIC, LEVEL CONTROL
2	1	03204	CLAMP, HOSE, WORM DRIVE 0.812 X 1.50 DIA
3	1	085110450	HOSE, WHITE EPDM, 3/4"ID X 4.500" LG
4	1	107312	CLAMP, HOSE, 1 1/8"OD, METAL TENSION BAND
5	3	06240	FTG, HOSE BARB, 3/4 X 3/4 MPT
6	1	20206	TEE, 3/4, BRASS
7	1	05231	ELBOW, STREET 90 X 3/4 NPT, BRASS
8	A/R	00934	SEALANT; PIPE DOPE; ONE PINT CAN

Assembly Number: 1070591

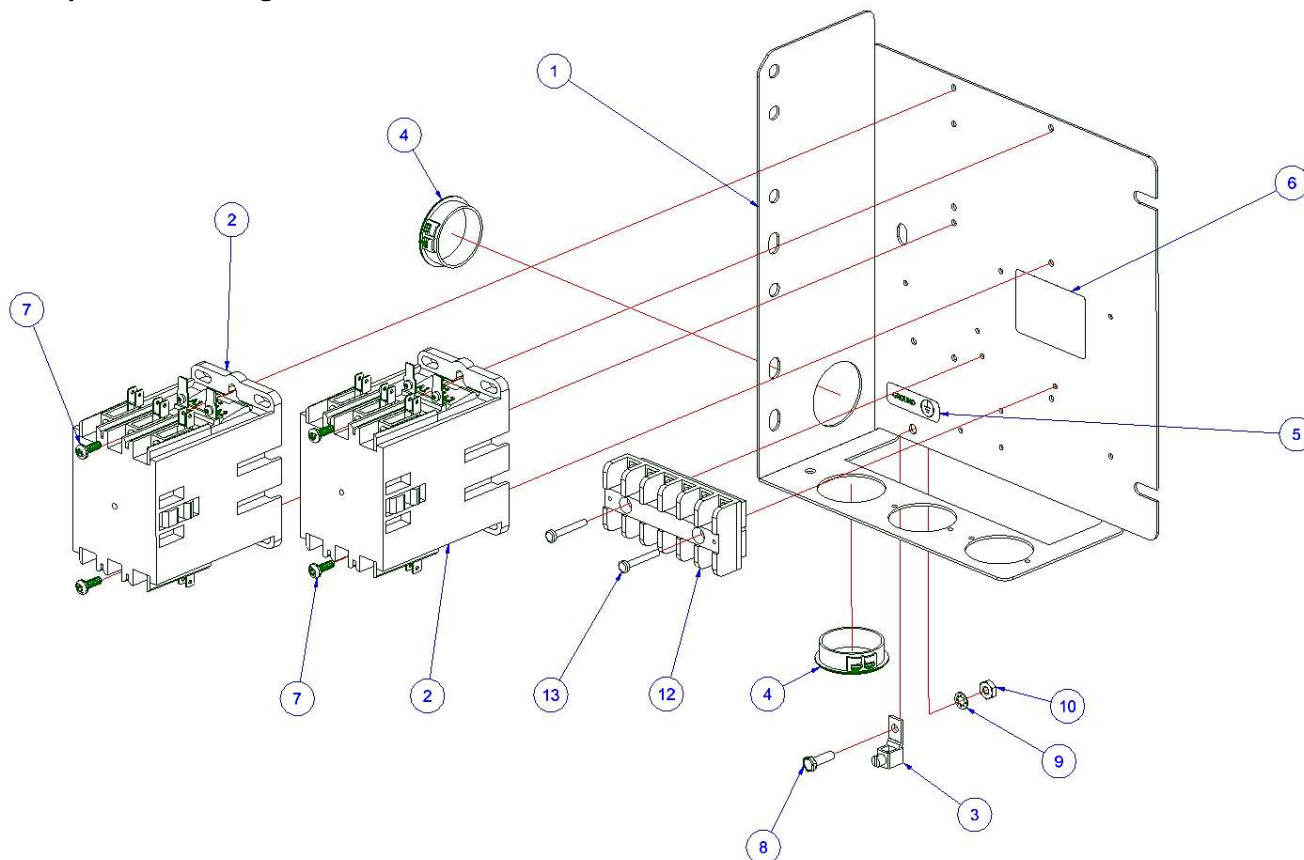
Description: Breather/Spray Nozzle Assembly



Item	QTY	P/N	Description
1	1	20199	TEE, 1/4, BRASS
2	1	105786	FITTING, HOSE BARB, 1/4 H x 1/4 MPT 90 DEG
3	2	104383	CLAMP, HOSE, NYLON
4	1	1043792600	HOSE, SILICONE, 1/4 x 26.000
5	1	20451	TIE, NYLON CABLE
6	1	107032	CHECK VALVE, PLASTIC DIAPHRAGM

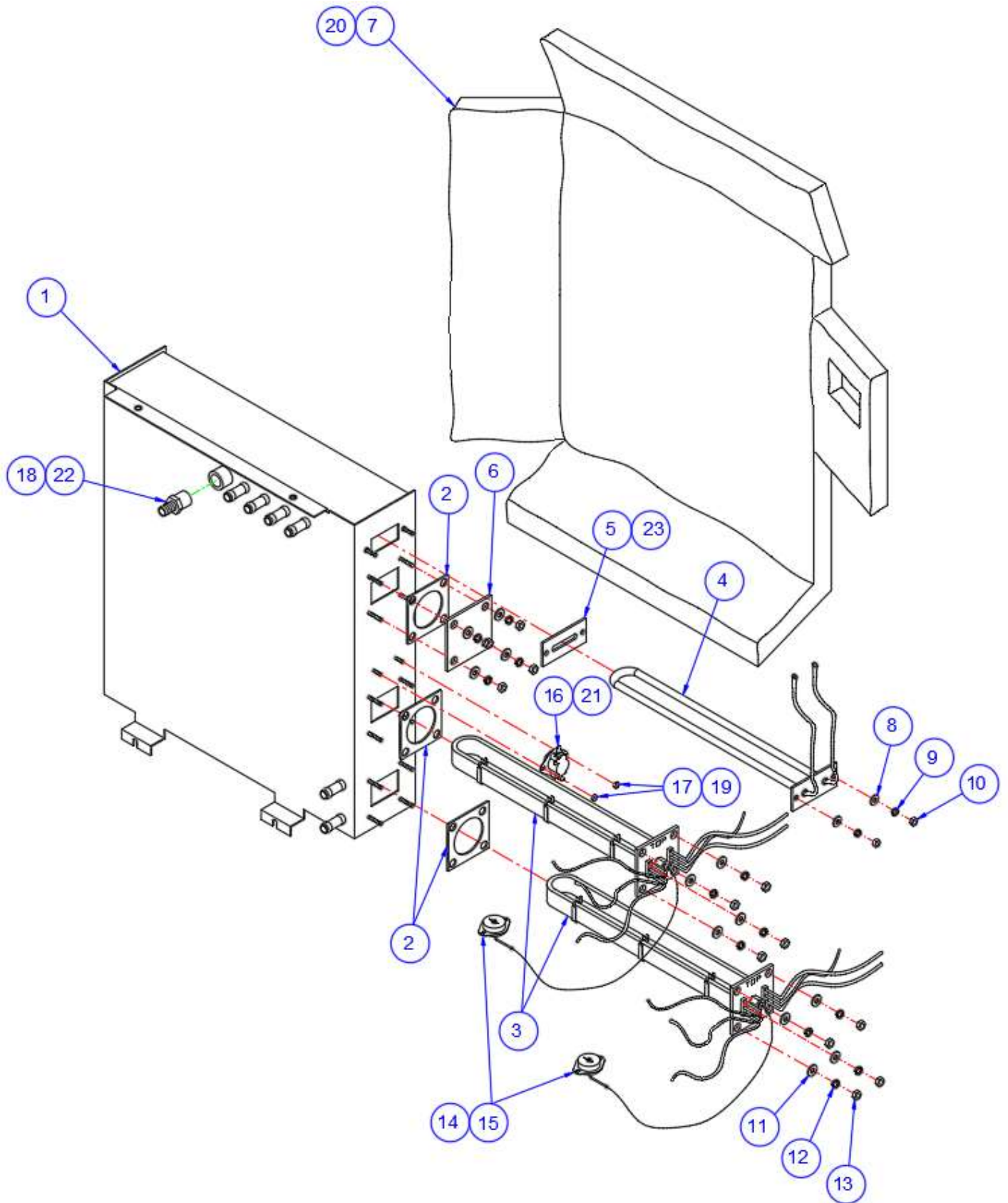
Assembly Number: 300877 (HL) & 300878 (HR)

Description: HI Voltage Panel, HL & HR



Item	QTY	P/N	Description
1	1	112312	PANEL, COMPONENT, HV/GAS, S/C 3 & 5 ELEC, 5 GAS, HL
	1	112339	PANEL, COMPONENT, HV/GAS, S/C 3 & 5 ELEC, 5 GAS, HR
2	2	03506	CONTACTOR, 3 POLE, 75 AMP, HL
	2	03509	CONTACTOR, 50 AMP, 104-120V, HR
3	1	20304	LUG, GROUND
4	2	102581	BUSHING, SNAP-IN FOR 1 1/2 DIA HOLE
5	1	14897	LABEL, GROUND
6	1	104349	LABEL, WARNING FIELD CONVERSION
7	4	106126	SCREW; 8-32X1/2; TORX/SLTPN HD; THREAD FORMING; ZN PLTD
8	1	108912	SCREW, HEX HD, 10-24x5/8, PLTD
9	1	23114	WASHER, LOCK, INTRNL. TOOTH #10 TYPE A OR B, SST
10	1	14659	NUT, HEX, #10-24, SST
12	1	109240	BLOCK, TERMINAL, 6 POLE
13	2	106128	SCREW, 6-32 X 1 TORX/PAN HD
21	1	WHT300877 (not shown)	HV HARNESS; CET16MCS, 208

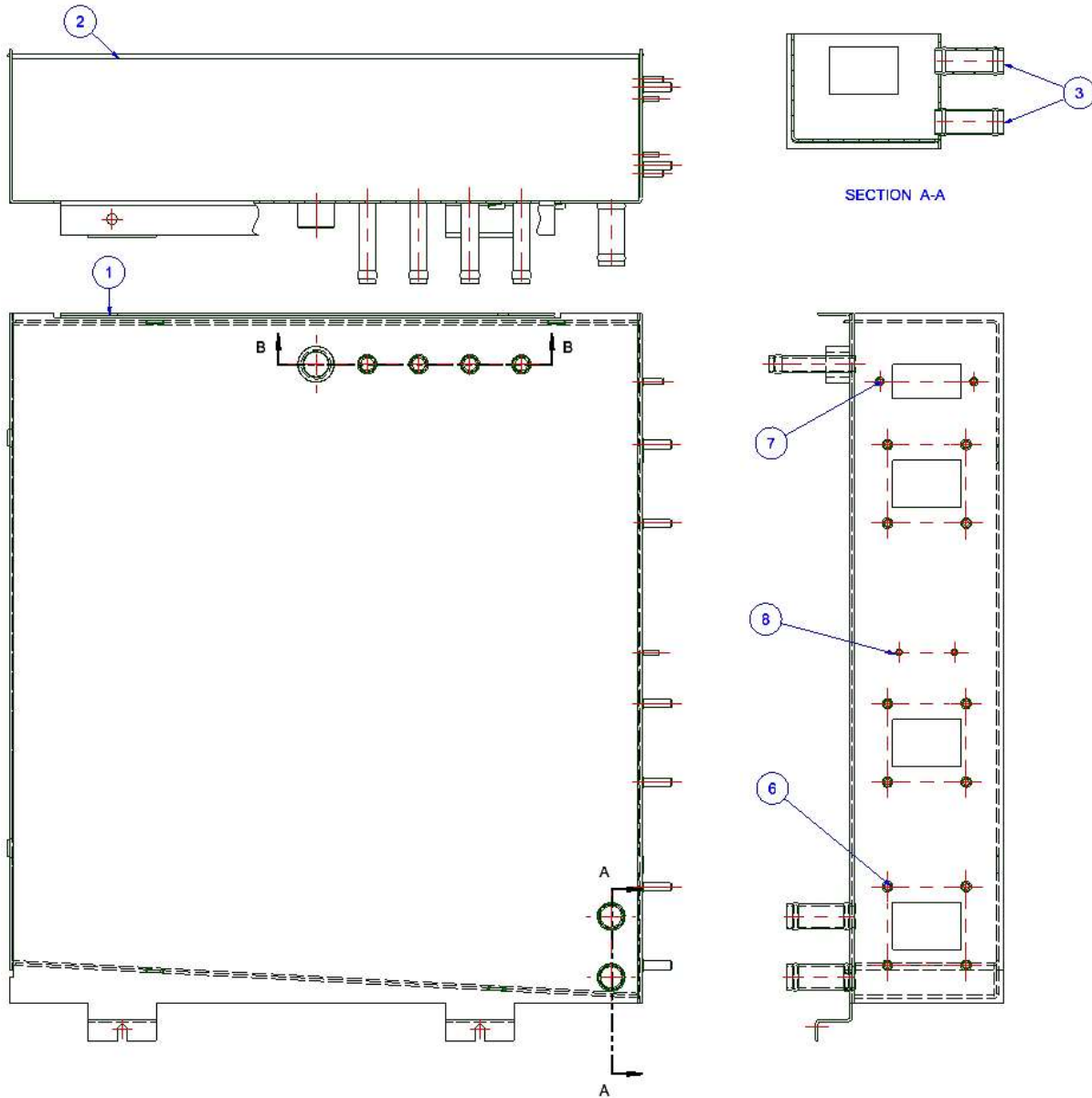
Assembly Number: 114189
Description: Generator Assembly



Item	QTY	P/N	Description
1	1	104195	GENERATOR ASSY, WELD, SC 5.1, HL
	1	1041951	GENERATOR ASSY, WELD, SC 5.1, HR
2	3	07128	GASKET
3	2	103881	HEATER ASSY, 8 KW, 208V
	2	1038811	HEATER ASSY, 8 KW, 240V
	2	1038814	HEATER ASSY, 8 KW, 480V
4	1	104306	ELEMENT, IMMERSION, 300 W, 208 V
	1	1043061	ELEMENT, IMMERSION, 300 W, 240 V
	1	1143062	ELEMENT, IMMERSION, 300 W, 480 V
5	1	104386	GASKET, DRYING ELEMENTS
6	1	104614	PLATE, GENERATOR CLEAN-OUT
7	1	104192	INSULATION, CUT, GENERATOR
8	2	101655	WASHER, FLAT, #10 SST
9	2	23113	WASHER, LOCK, SPLIT RING, CAD PLATED, #10
10	2	14659	NUT, HEX, 10-24 SST
11	12	23116	WASHER, FLAT 1/4 X 5/8
12	12	23105	WASHER, LOCK, 1/4 SST
13	12	14618	NUT, HEX, 1/4-20 SST
14	2	103731	CAPILLARY, HI LIMIT
15	4	106127	SCREW, 6-32x1/2, TORX/PAN HD, THRD FORMING, ZN PLTD
16	1	105789	SWITCH, THERMAL DISK, SPDT, 185 DEG. SET POINT
17	2	14674	NUT, HEX, 6-32, ZINC PLTD
18	1	06237	FTG, HOSE BARB, 1/2H x 1/2MPT, BRASS
19	A/R	01205	ADHESIVE, LOCTITE, GREEN, 10ML, ITEM#29021, WICKING
20	A/R	00944	TAPE, DUCT 3 IN x 60YD SLVR CLOTH
21	A/R	109139	COMPOUND, HEAT TRANSFER
22	A/R	00934	SEALANT, PIPE DOPE, ONE PINT CAN
23	A/R	107034	SEALANT, DOW CORNING, #736

Assembly Number: 104195

Description: Generator Weld Assembly

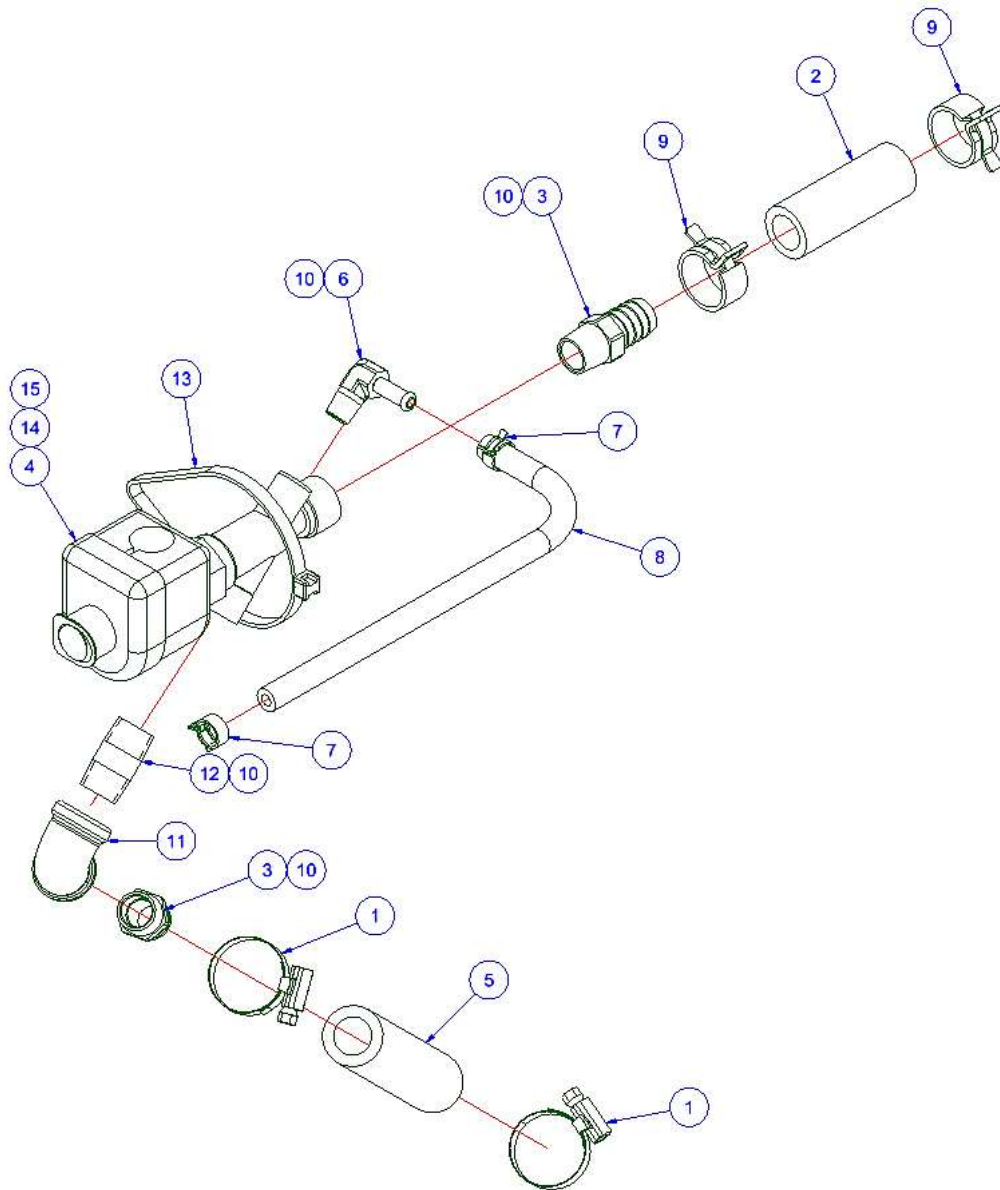


SECTION B-B

Item	QTY	P/N	Description
1	1	104014	GENERATOR FRONT, STEAMCRAFT ULTRA 5 & 10, HL
2	1	104015	GENERATOR BACK, STEAMCRAFT ULTRA 5 & 10 HL
3	2	104593	FITTING, 3/4" HOSE BARB, SST
4	4	104594	FITTING, HOSE BARB 1/2 SST TUBE STYLE
5	1	03620	COUPLING, HALF, 1/2", 304 SST
6	12	19919	STUD, WELD, STYLE F, 1/4-20 X 7/8, 304 SST, CD
7	2	19927	STUD, WELD, 10-24 X 0.625, 300 SERIES SST, CD
8	2	19928	STUD, WELD, #6-32 X 0.500 LG., SST

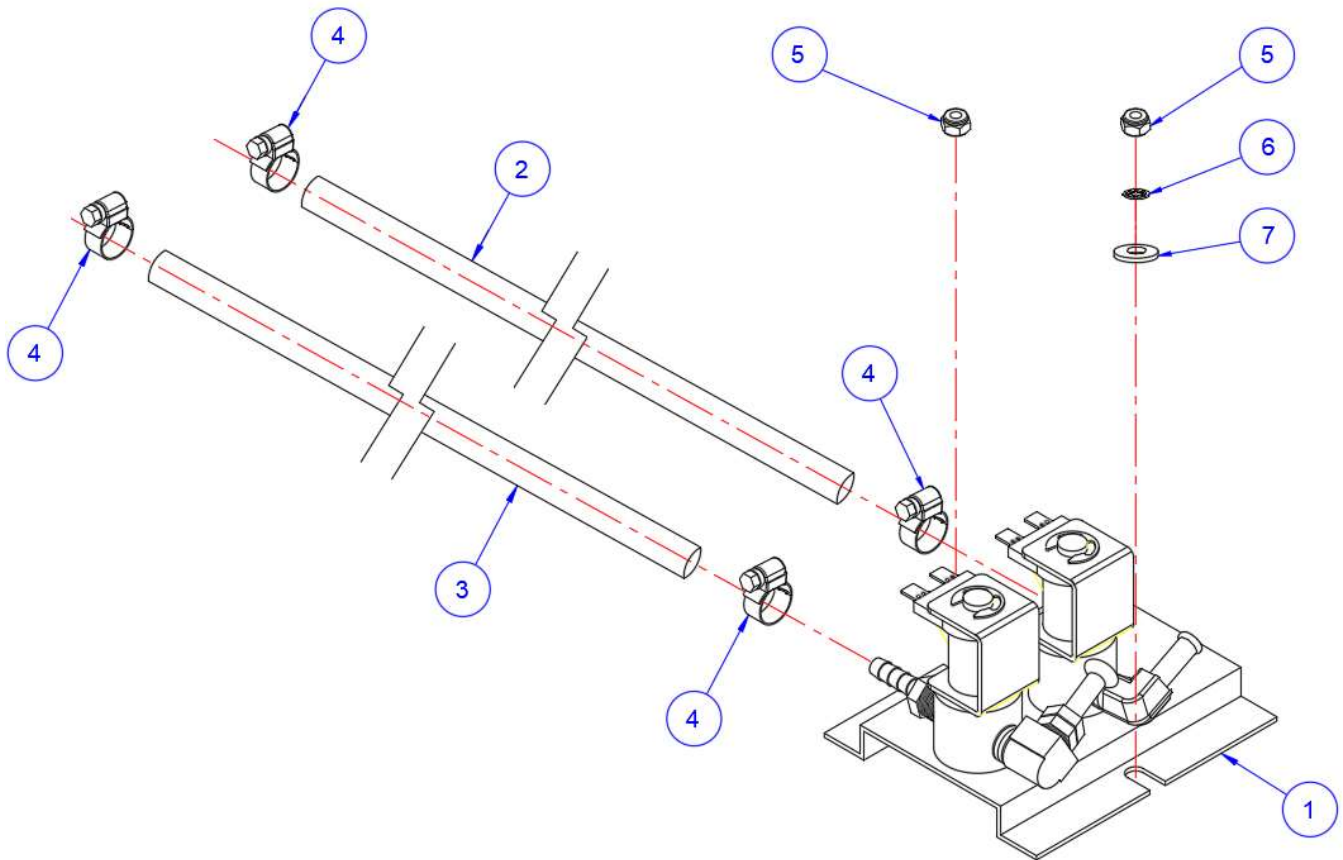
Assembly Number: 106384 (HL) & 1063841 (HR)

Description: Drain Valve Assembly, HL & HR



Item	QTY	P/N	Description
1	2	03204	CLAMP, HOSE, WORM DRIVE 0.812 X 1.50 DIA
2	1	1060930300	HOSE, SILICONE 3/4" ID X 3.000 LG.
3	2	06241	FTG, HOSE BARB, 3/4HX1/2MPT, BR.
4	1	22221	VALVE, SOLENOID, 1/2" DRAIN, 18IN LEAD
5	1	085111000	HOSE, WHITE EPDM, 3/4" ID X 10.000" LG
6	1	111289	FITTING, ELBOW, 90 1/4" HOSE X 1/4" NPT MALE
7	2	1073121	CLAMP; HOSE; 1/4 ID; METAL TENSION BAND
8	1	1058501200	HOSE, NT-80, 1/4 X 1/2 X 12" LG
9	2	107312	CLAMP, HOSE, 1 1/8" OD, METAL TENSION BAND
10	A/R	00934	SEALANT, RECTORSEAL
11	1	05250	ELBOW, 90°, 1/2 NPT, BRASS
12	1	14326	NIPPLE .50NPTx 1.50SCH 40 BRASS TBE
13	1	300840	WIRE TIE, RELEASABLE, NYLON, 14.500 LG
14	1	20336	TERMINAL, RING, NON-INSUL. #10 STUD
15	2	20351	TERMINAL, SLIPON .032 X .25 TAB

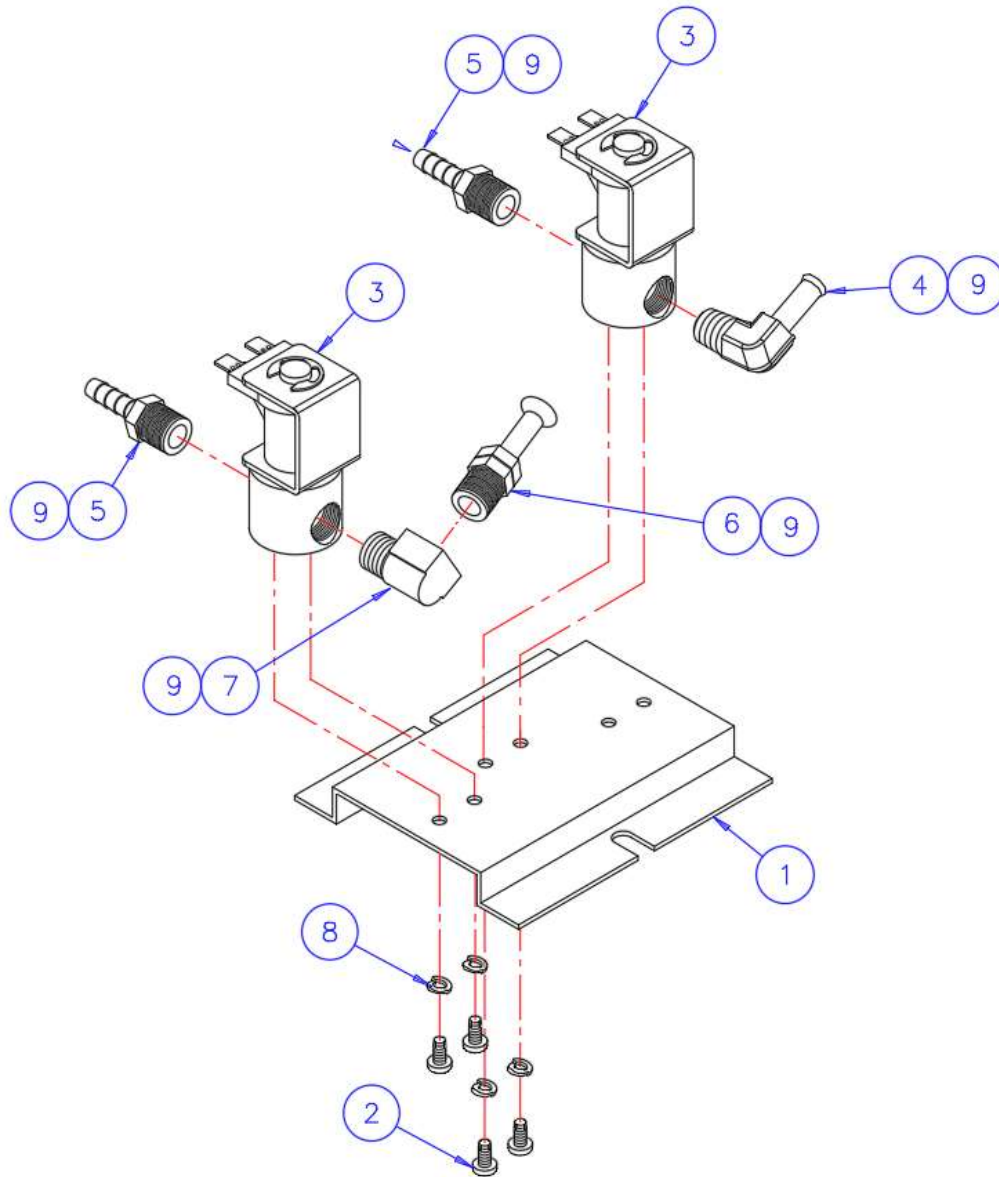
Assembly Number: 113976 (HL) & 113977 (HR)
Description: Water Inlet, Valve Assembly, HL & HR



Item	QTY	P/N	Description
1	1	10992	VALVE ASSY, INLET, SC 3/5
2	1	1058501900	HOSE, NYLON REINFORCED, 1/4 ID X 19.00 LG
3	1	1058502100	HOSE, NYLON REINFORCED, 1/4 ID X 21.00 LG
4	4	106526	CLAMP, HOSE, WORM DR, 1/4-5/8, 5/16W
5	2	14672	NUT, LOCK, 10-32
6	1	23114	WASHER, LOCK
7	1	23116	WASHER, FLAT

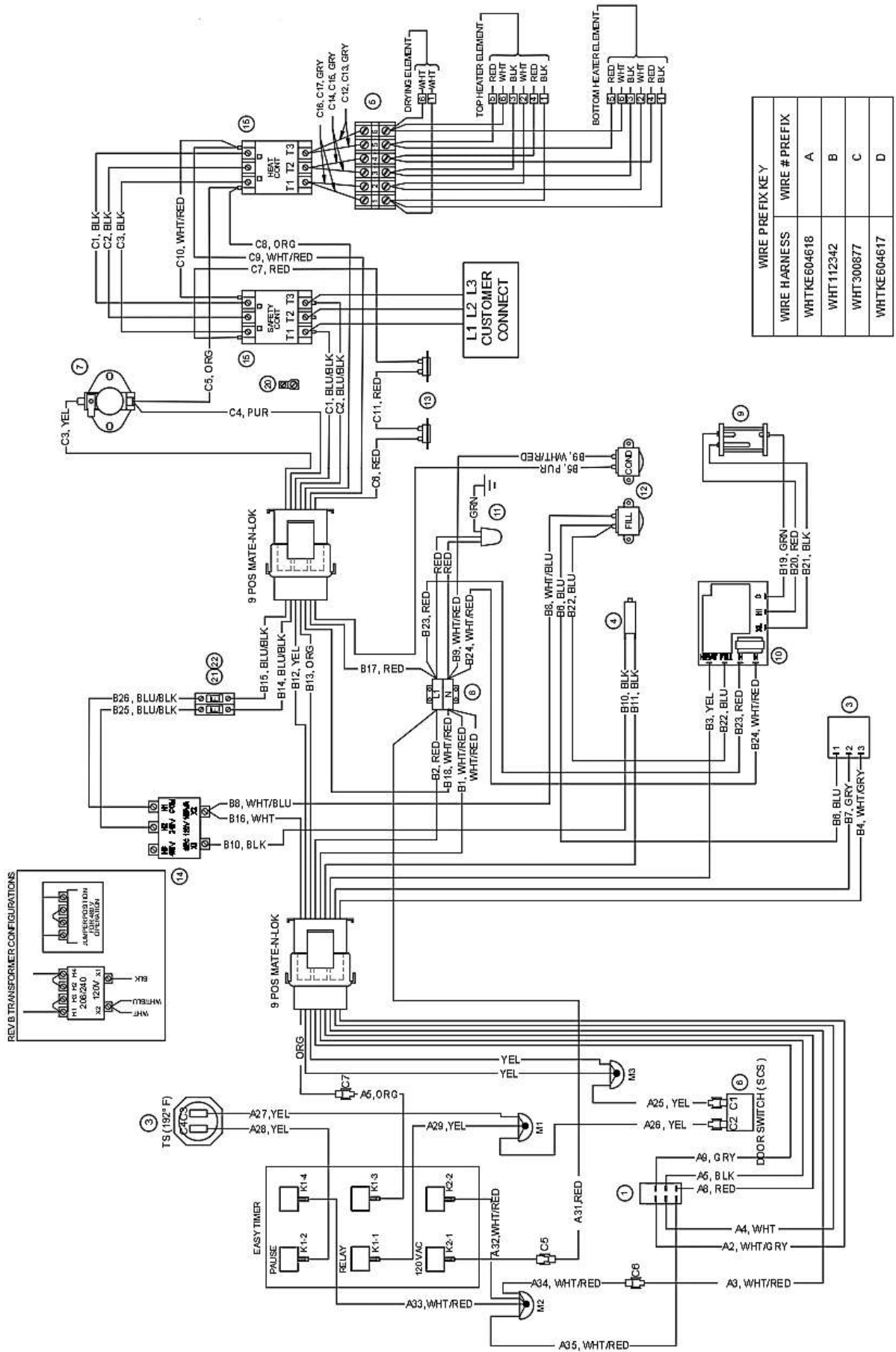
Assembly Number: 109992

Description: Water Inlet, Valve Assembly, HL



Item	QTY	P/N	Description
1	1	104284	BRACKET, MOUTNING
2	4	19114	SCREW, #8-32 X .375 THD. CUT
3	2	22218	SOLENOID VALVE
4	1	111289	FTG; HOSE BARB; 90 DEG' 1/4 H X 1/4 NPT MALE
5	2	104381	FITTING, HOSE, 1/4 H X 1/4 MPT
6	1	1098651	FLOW RESTRICTOR, .062, FOR 1/4 ID HOSE
7	1	05235	ELBOW, STREET 1/4 X 90 DEG BRASS
8	4	102641	WASHER, SPLIT
9	A/R	00934	SEALANT, PIPE DOPE

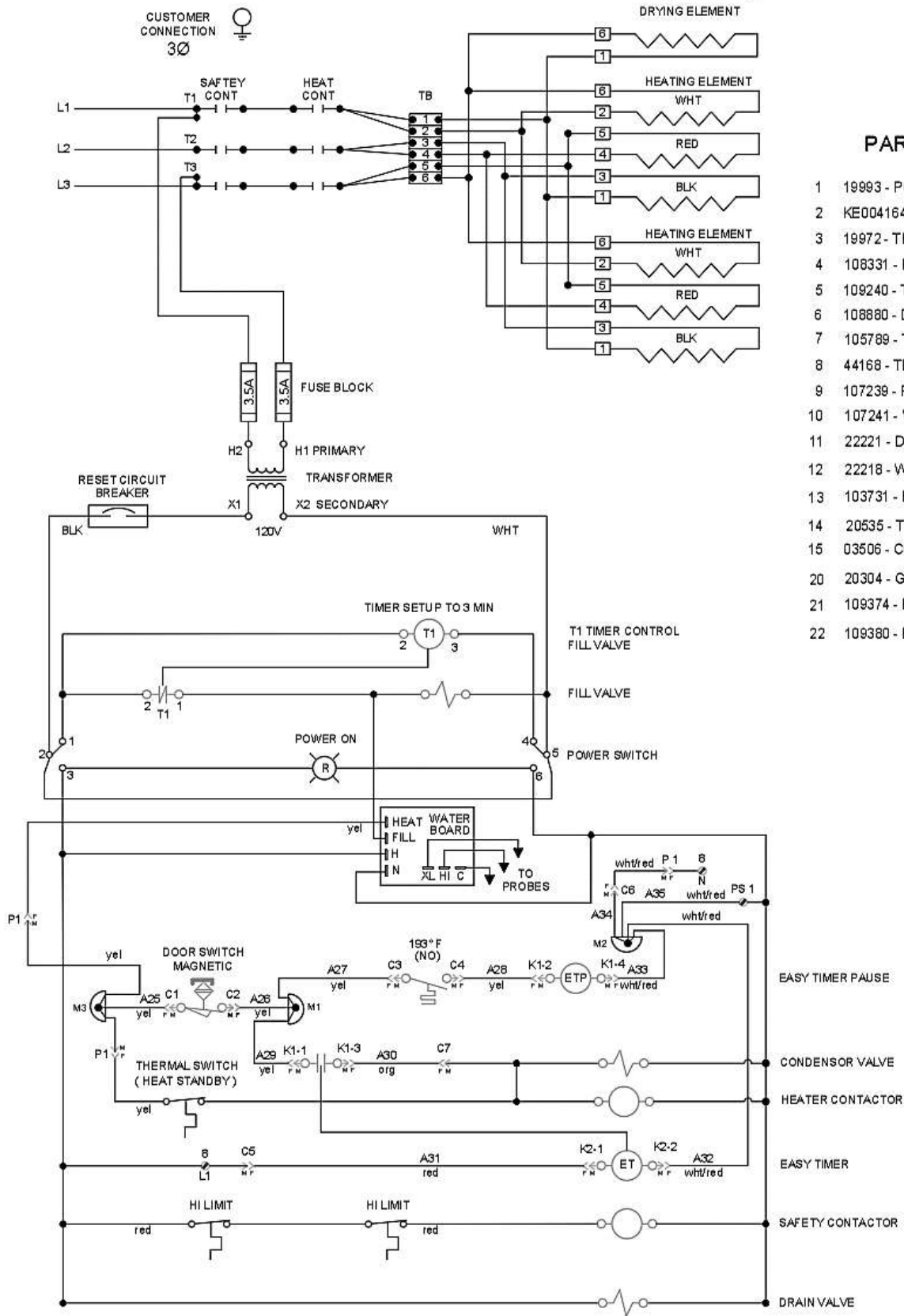
STEAMCRAFT 5.1 EASY TIMER (PROBE) CUSTOMER CONNECT AT SAFETY CONTACTOR T1,2 & 3



WIRE HARNESS	WIRE # PREFIX
WHTKE604618	A
WHT112342	B
WHT300877	C
WHTKE604617	D

KE604525 A

STEAMCRAFT 5.1 EASY TIMER (PROBE)



PARTS LIST

- 1 19993 - POWER SWITCH
- 2 KE004164 - EASY TIMER CONTROL
- 3 19972 - THERMAL CLOSE 193F SWITCH
- 4 108331 - RESET CIRCUIT BREAKER
- 5 109240 - TERMINAL BLOCK
- 6 108880 - DOOR SW (MAGNETIC)
- 7 105789 - THERMAL SWITCH (HSB)
- 8 44168 - TERMINAL BLOCK
- 9 107239 - PROBE
- 10 107241 - WATER BOARD
- 11 22221 - DRAIN VALVE
- 12 22218 - WATER SOLENOIDS
- 13 103731 - HI LIMIT SWITCHES
- 14 20535 - TRANSFORMER
- 15 03506 - CONTACTORS (75 AMP)
- 20 20304 - GROUND LUG
- 21 109374 - FUSE BLOCK
- 22 109380 - FUSE, 3.5A

KE604525 A

Cleveland

Service/Parts:

1-844-724-2273

US: Press #4 after prompt to be directed to Technical Services. Press #2 after prompt to be directed to Cleveland.

Canada: Press #1 after prompt to be directed to service in Canada.

Every new piece of Welbilt Foodservice equipment comes with KitchenCare® and you choose the level of service that meets your operational needs from one restaurant to multiple locations

StarCare – Warranty & lifetime service, certified OEM parts, global parts inventory, performance audited

ExtraCare – CareCode, 24/7 Support, online/mobile product information

LifeCare – Install & equipment orientation, planned maintenance, KitchenConnect™, MenuConnect®

Talk with KitchenCare® • 1-844-724-CARE • www.mtwkitchencare.com



To learn how Welbilt Foodservice and its leading brands can equip you, visit our global web site at www.welbilt.com, then discover the regional or local resources available to you.

©2016 Welbilt Foodservice except where explicitly stated otherwise. All rights reserved. Continuing product improvement may necessitate change of specifications without notice