

# SteamCraft

# Cleveland

## Electric Convection Steamers with Easy Timer

---

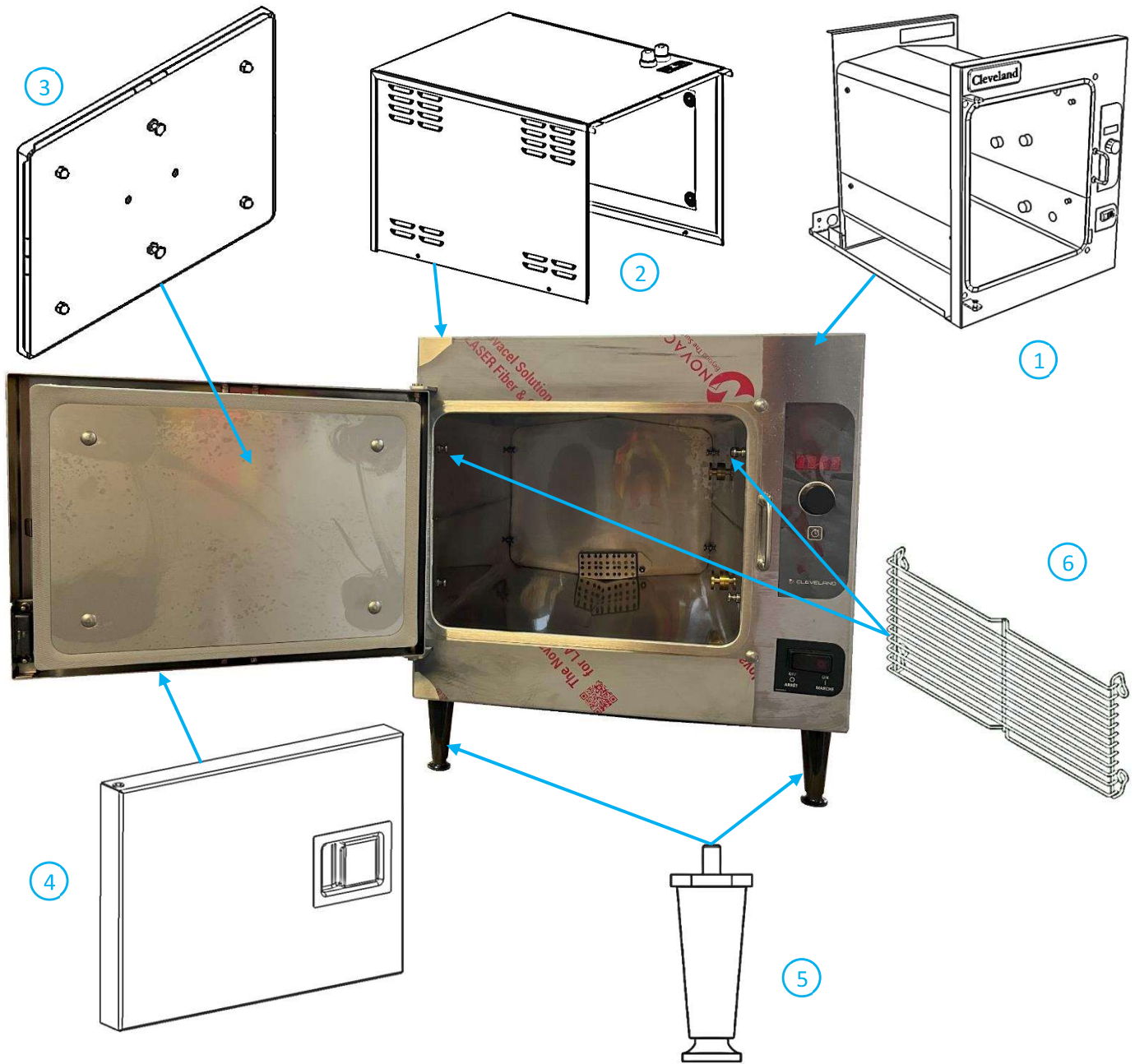
### Parts Manual

**MODEL:**

21CET8

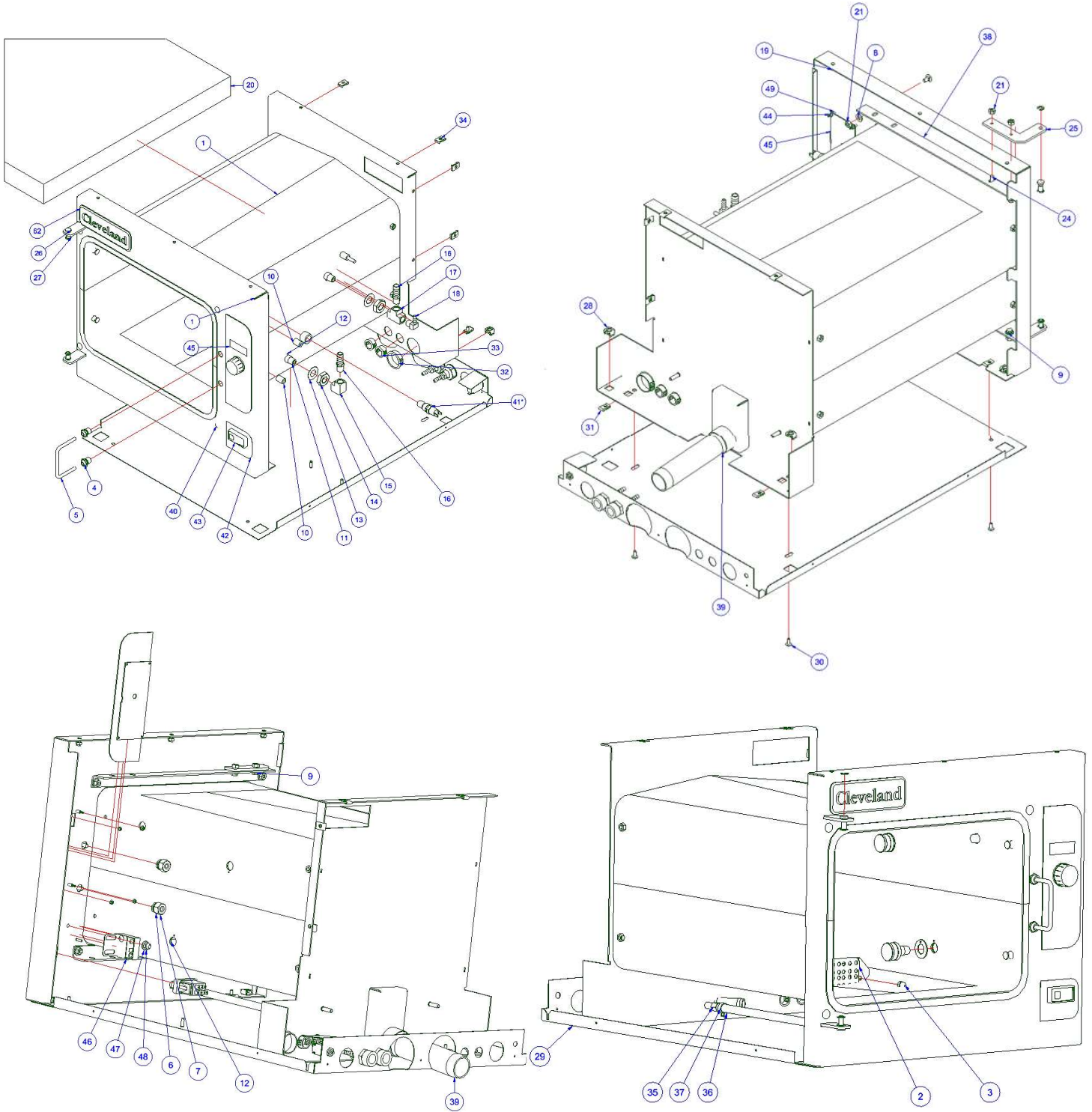


**Description: General Body Assembly**



Item	QTY	Part Number	Description
1	1	KE004155-11 KE004155-12 (stacked)	BODY ASSEMBLY, HL, PROBE, EASY TIMER BODY ASSEMBLY, HL, PROBE, STACKED, EASY TIMER
2	1	114016-1 114017-1	SHEETING, SC3, HL SHEETING, SC3, HR
3	1	104101	INNER DOOR ASSEMBLY, CONVECTION STEAMER
4	1	115502-1	OUTER DOOR ASSEMBLY, HL/HR
5	4	1014501	LEG, 4" ADJUSTABLE, BLACK PLASTIC
6	1	41423	RACK ASSEMBLY, PAN 20"

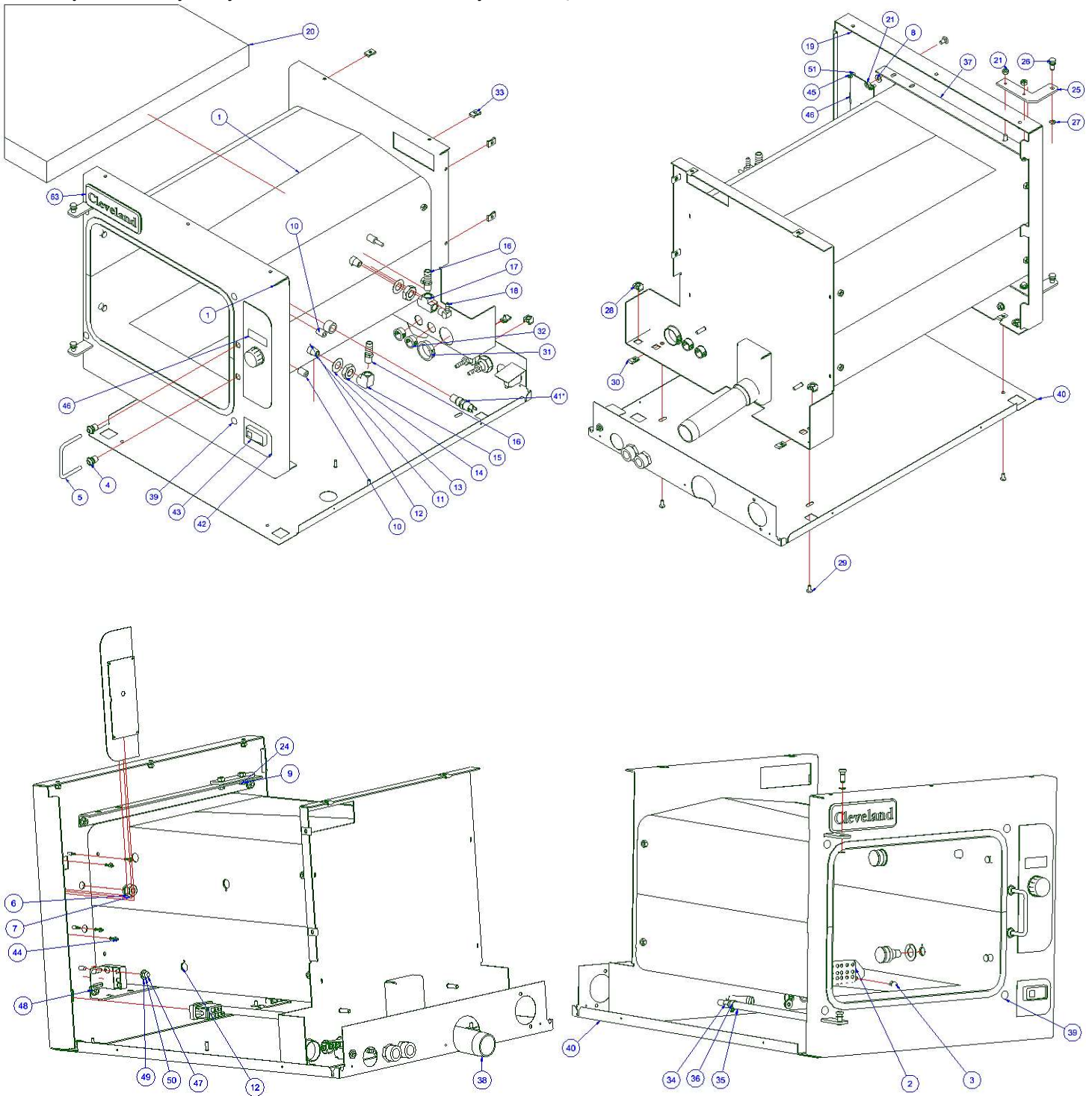
**Assembly Number: KE004155-11**  
**Description: Body Assy, HL, Probe, Easy Timer**



Item	QTY	P/N	Description
1	1	KE004156-1	CAVITY ASSY HL, WELDMENT STEAMCRAFT 5.1
2	1	69298	SCREEN; DRAIN COMPARTMENT (STAINLESS)
3	1	14677	NUT, ACORN, 1/4-20, SST
4	2	14695	NUT, DOOR CATCH MOUNTING
5	1	104046	CATCH, DOOR
6	2	23149	WASHER, NYLON, TYPE 6/6
7	2	14649	NUT, HEX, 1/2-13, ZINC PLTD
8	8	23116	WASHER, FLAT, .281 ID x.625 OD x .065 THK, SST
9	4	23105	WASHER, LOCK, 1/4" KATLINK STYLE, SST
10	3	195552	SPACER, 1/4" I.D. X 1/2 O.D. X 0.688 LG.
11	2	104009	STEAM SUPPLY
12	2	104082	STEAM INJECTOR
13	2	104232	WASHER, FLAT, .640IDx.032x 1.187 OD S/S
14	2	104081	NUT, JAM 5/8-18, BRASS
15	1	05236	ELBOW, 1/4 X 90, BRASS
16	2	104048	FTG;HOSE;BARB;1/2Hx1/4 NPT
17	1	20199	TEE, 1/4", BRASS
18	1	105786	FTG, HOSE BARB, 1/4Hx1/4MPT, 90°, BRASS
19	3	14672	NUT, HEX, 10-32, ELASTIC LOCK, ZINC PLTD
20	1	104061	INSULATION, BODY STEAMCRAFT 3.1
21	8	14618	NUT, HEX, 1/4-20, STAINLESS STEEL
24	4	19170	SCREW, HEX HD, 1/4-20x5/8, SST
25	2	KE604469	HINGE, DOOR
26	2	104077	PIN, HINGE
27	4	104062	RING, EXT, RETAINING, SST
28	4	112781	NUT, CAGE 3/8-16NC
29	1	113972	ASSY, BASE, HL, SC 3/5
30	4	101231	SCREW, 10-24 X 0.500 SST, PHILLIPS TRUSS HEAD
31	4	106699	NUT, SLIPON, #10-24, TIN. C17205-1024
32	1	102581	BUSHING, SNAP-IN FOR 1 1/2 DIA HOLE
33	2	02600	BUSHING, INSULATOR, 11/16 ID
34	4	106217	NUT, SLIPON, 1/4-20
35	1	106005	FTG, HOSE BARB, 1/4 H x 1/8 FPT, STRAIGHT, BRASS
36	1	1058501900	HOSE, NYLON REINFORCED, 1/4" ID, 19" LG
37	2	1073121	CLAMP; HOSE; 1/4 ID; METAL TENSION BAND
38	2	KE604467	HINGE, ANGLE
39	1	104485	NIPPLE, 1.250 NPT X 6.500, SCH 40 BLACK
40	4	108644	SCREW, CARRIAGE, 1/4-20x1/2, SST (RND HEAD, SQ NECK)
41	1	19972	SWITCH, THERMAL CLOSE 193 DEG. F
42	1	KE604449	LABEL, ON/ OFF
43	1	19993	SWITCH, ROCKER, DPDT, ON/OFF 15A, 125V
44	4	KE604587	EASY TIMER NUT
45	1	KE004164	EASY TIMER ASSY
46	1	KE003929	ASSEMBLY, DOOR STEAM CUTOFF SWITCH, COUNTERTOP STEAMERS
47	1	FA30505-1	FLAT WASHER 1/4
48	1	14665	NUT, HEX, 1/4-20 LOCK, SST (NYLON INSERT)
49	4	KE604586	EASY TIMER SPACER
62	1	105901-1	NAMEPLATE CLEVELAND LOGO

Assembly Number: KE004155-12

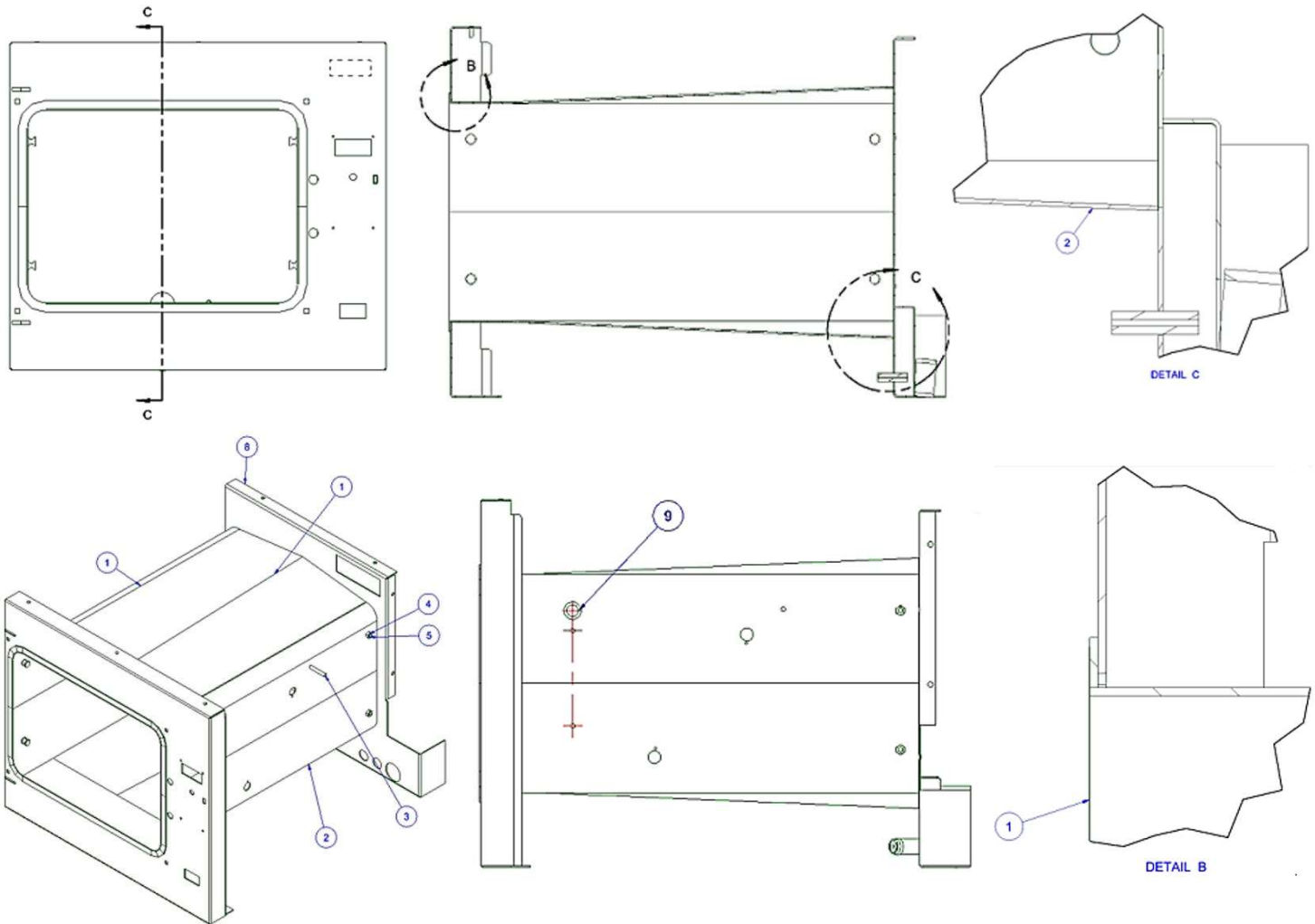
Description: Body Assy, HL, Probe, Stacked, Easy Timer S/C 3



Item	QTY	P/N	Description
1	1	KE004156-1	CAVITY ASSY HL, WELDMENT STEAMCRAFT 5.1
2	1	69298	SCREEN;DRAIN COMPARTMENT (STAINLESS)
3	1	14677	NUT, ACORN, 1/4-20, SST
4	2	14695	NUT, DOOR CATCH MOUNTING
5	1	104046	CATCH, DOOR
6	2	23149	WASHER, NYLON, TYPE 6/6
7	2	14649	NUT, HEX, 1/2-13, ZINC PLTD
8	8	23116	WASHER, FLAT, .281 ID x.625 OD x .065 THK, SST
9	4	23105	WASHER, LOCK, 1/4" KATLINK STYLE, SST
10	3	195552	SPACER,1/4" I.D. X 1/2 O.D. X 0.688 LG.
11	2	104009	STEAM SUPPLY
12	2	104082	STEAM INJECTOR
13	2	104232	WASHER, FLAT, .640IDx.032x 1.187 OD S/S
14	2	104081	NUT, JAM 5/8-18, BRASS
15	1	05236	ELBOW, 1/4 X 90, BRASS
16	2	104048	FTG;HOSE;BARB;1/2Hx1/4 NPT
17	1	20199	TEE, 1/4", BRASS
18	1	105786	FTG, HOSE BARB, 1/4Hx1/4MPT, 90°, BRASS
19	3	14672	NUT, HEX, 10-32, ELASTIC LOCK, ZINC PLTD
20	1	104061	INSULATION, BODY STEAMCRAFT 3.1
21	8	14618	NUT, HEX, 1/4-20, STAINLESS STEEL
24	4	19170	SCREW, HEX HD, 1/4-20x5/8, SST
25	2	KE604469	HINGE, DOOR
26	2	104077	PIN, HINGE
27	4	104062	RING, EXT, RETAINING, SST
28	4	112781	NUT, CAGE 3/8-16NC
29	4	101231	SCREW, 10-24 X 0.500 SST, PHILLIPS TRUSS HEAD
30	4	106699	NUT, SLIPON, #10-24, TIN. C17205-1024
31	1	102581	BUSHING, SNAP-IN FOR 1 1/2 DIA HOLE
32	2	02600	BUSHING, INSULATOR, 11/16 ID
33	4	106217	NUT, SLIPON, 1/4-20
34	1	106005	FTG, HOSE BARB, 1/4 H x 1/8 FPT, STRAIGHT, BRASS
35	1	1058501900	HOSE, NYLON REINFORCED, 1/4" ID, 19" LG
36	2	1073121	CLAMP; HOSE; 1/4 ID; METAL TENSION BAND
37	2	KE604467	HINGE, ANGLE
38	1	104485	NIPPLE, 1.250 NPT X 6.500, SCH 40 BLACK
39	4	108644	SCREW, CARRIAGE, 1/4-20x1/2, SST (RND HEAD, SQ NECK)
40	1	113974	ASSY, BASE, SC3, HL, STACKED
41	1	19972	SWITCH, THERMAL CLOSE 193 DEG. F
42	1	KE604449	LABEL, ON/ OFF
43	1	19993	SWITCH, ROCKER, DPDT, ON/OFF 15A, 125V
44	4	KE604588	#4-40 X 3/4 PEM STUD
45	4	KE604587	EASY TIMER NUT
46	1	KE004164	EASY TIMER ASSY
47	1	101283	STUD, WELD, 1/4-20 X 1/2, NO FLANGE, SST CD
48	1	KE003929	ASSEMBLY, DOOR STEAM CUTOFF SWITCH, COUNTERTOP STEAMERS
49	1	FA30505-1	FLAT Washer 1/4
50	1	14665	NUT, HEX, 1/4-20 LOCK, SST (NYLON INSERT)
51	4	KE604586	EASY TIMER SPACER
63	1	105901-1	NAMEPLATE CLEVELAND LOGO

**Assembly Number: KE004156-1**

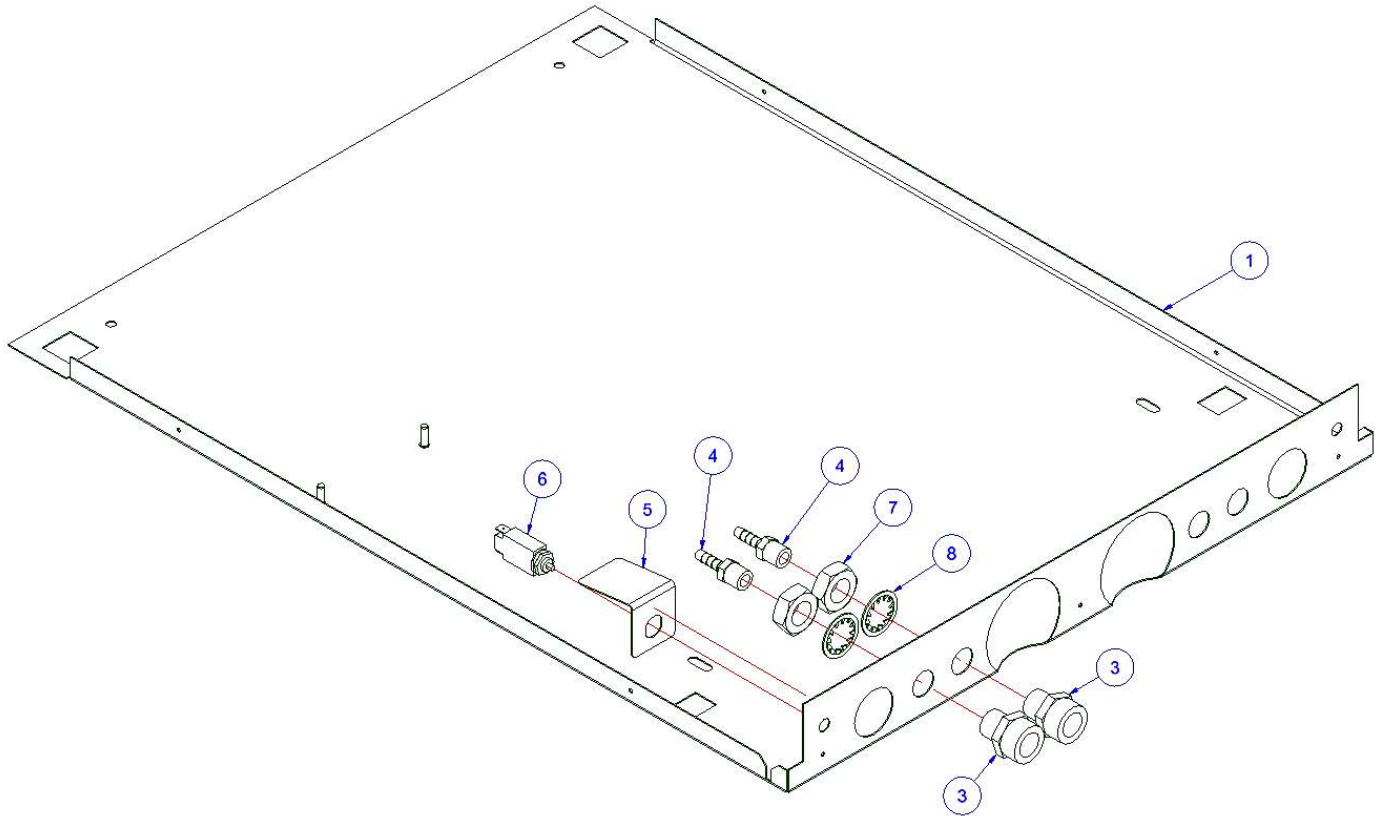
**Description: Cavity Weld Assy, HL, Easy Timer**



Item	QTY	P/N	Description
1	1	KE604488	CAVITY, TOP, FLANGED
2	1	KE604489	CAVITY, BOTTOM, HL, FLANGED
3	3	19914	STUD, WELD, STYLE F, 1/4-20X1-1/2, 304 ST
4	8	14618	NUT, HEX, 1/4-20, STAINLESS STEEL
5	8	101305	PIN, RACK SUPPORT, S/S, 316L
6	A/R	1645400	LOCTITE THREADLOCKER #271
7	1	KE004157-1	CAVITY, FRONT, WELD ASSY, EASYTIMER
8	1	KE004158	CAVITY, BACK, WELD ASSY, HL
9	1	03628	COUPLING, HALF, 3/8", 304 SST

**Assembly Number: 113972 (HL) & 113973 (HR)**

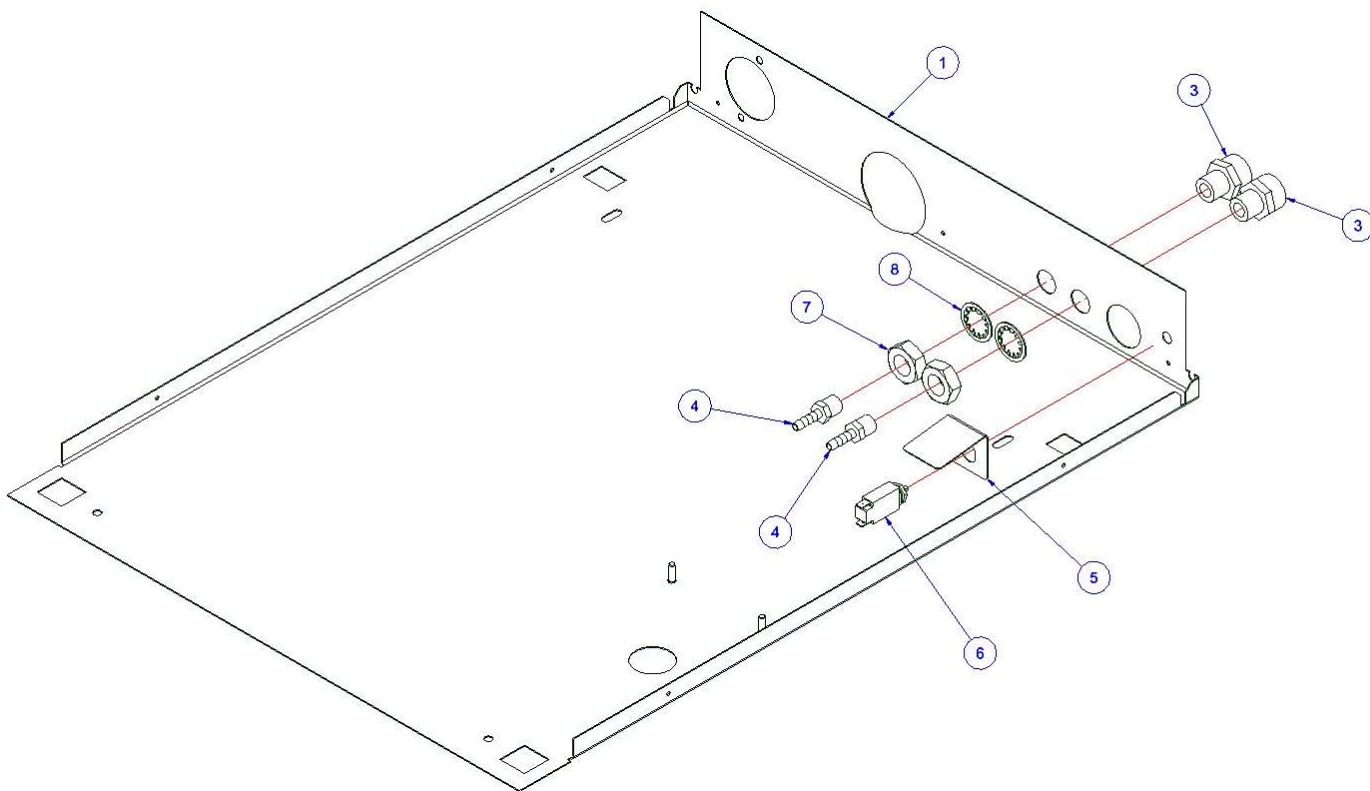
**Description: Base Assembly S/C 3, No Stack**



Item	QTY	P/N	Description
1	1	108844 113971	PAN, BASE, WELD ASSY., S/C 3.1/5.1, HL ASSY, BASE, S/C 3/5, HR
3	2	115243	BULKHEAD FITTING, 3/4-16 X 3/4-11.5 GHT GARDEN HOSE
4	2	104381	FTG, HOSE BARB, 1/4hx1/4MPPT, STR, BR
5	1	108848	BRACKET, CIRCUIT BREAKER SHIELD STEAMCRAFT 3.1 & 5.1
6	1	108331	BREAKER, CIRCUIT 1.0 A
7	2	115258	NUT, HEX, JAM, 3/4-16, BRASS
8	2	115259	WASHER, LOCK, 3/4", ZINC, INTERNAL TOOTH

**Assembly Number: 113974 (HL) & 113975 (HR)**

**Description: Base Assembly S/C 3, Stacked**



Item	QTY	P/N	Description
1	1	107146 1071461	PAN, BASE, WELD ASSEMBLY, STEAMCRAFT 3.1, STACKED, HL PAN, BASE, WELD ASSEMBLY, STEAMCRAFT 3.1, STACKED, HR
3	2	115243	BULKHEAD FITTING, 3/4-16 X 3/4-11.5 GHT GARDEN HOSE
4	2	104381	FTG, HOSE BARB, 1/4hx1/4MPT, STR, BR
5	1	108848	BRACKET, CIRCUIT BREAKER SHIELD STEAMCRAFT 3.1 & 5.1
6	1	108331	BREAKER, CIRCUIT 1.0 A
7	2	115258	NUT, HEX, JAM, 3/4-16, BRASS
8	2	115259	WASHER, LOCK, 3/4", ZINC, INTERNAL TOOTH

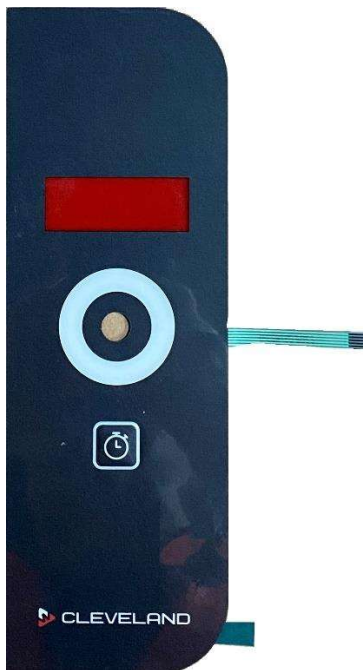
**Assembly Number: KE004164**  
**Description: EasyTimer Assembly**



KE604176 EasyTimer Control/Timer Knob



KE604517 EasyTimer PCB

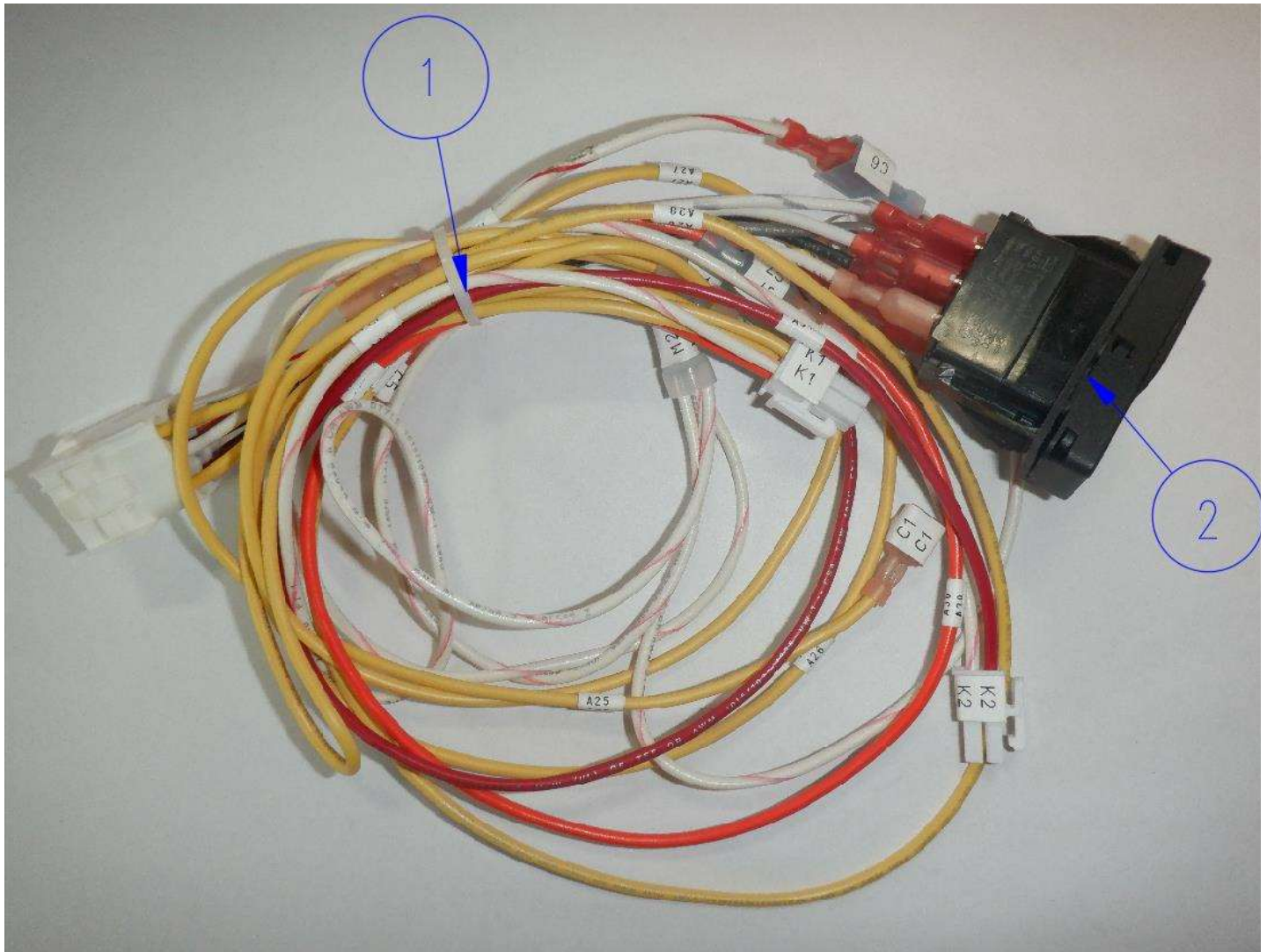


KE604518 EasyTimer Overlay



KE604710 EasyTimer Plastic Insert

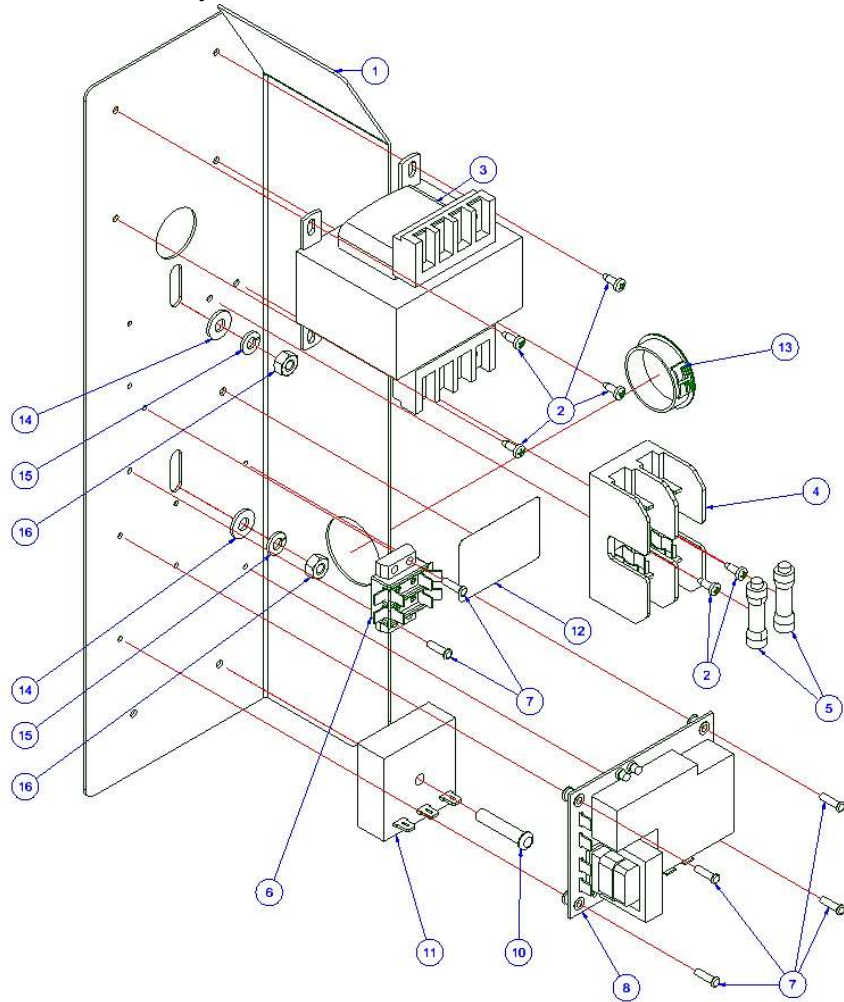
Assembly Number: KE604617  
Description: Power Wiring Harness



Item	QTY	P/N	Description
1	1	WHTK604617	WIRING HARNESS, EASY TIMER 21CET8/16MCS (HL/HR)
2	1	19993	SWITCH, ROCKER ILLUMINATED MAINTAINED CONTACT

**Assembly Number: 112342 (HL) & 112344 (HR)**

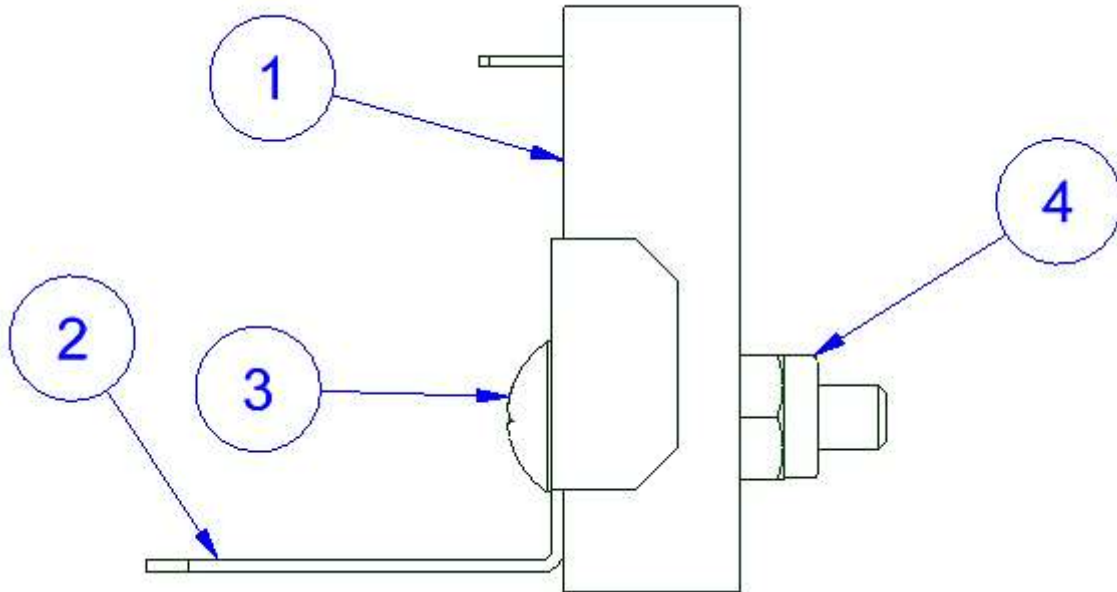
**Description: Control Panel Assembly, Probe**



Item	QTY	P/N	Description
1	1	112311 112340	PANEL, COMPONENT, FRONT, S/C 3.1/5.1 ELEC, 5.1 GAS, HL PANEL, COMPONENT, FRONT, S/C 3.1/5.1 ELEC, 5.1 GAS, HR
2	6	106126	SCREW, 8-32 X 1/2, TORX/SLT. PAN HD
3	1	20535	TRANSFORMER, 150VA, 240V/480V PRIMARY, 120V SECONDARY
4	1	109374	BLOCK, FUSE, 2 POLE, 30 AMP
5	2	109380	FUSE, 3.5 AMP
6	1	44168	TERMINAL, BLOCK ASM, 2 POLE
7	6	106127	SCREW, 6-32 X 1/2, TORX/PAN HD
8	1	107241	BOARD, WATER LEVEL CONTROL
10	1	106124	SCREW, TORX/SLOT #10-32 X 1-1/4 LG
11	1	20478	TIMER, SOLID STATE INTERV 3 MINUTE
12	1	109986	LABEL, FUSE SIZE, 5 AMPS
13	1	102581	BUSHING, SNAP-IN FOR 1 1/2 DIA HOLE
14	2	23116	WASHER, FLAT, .281 ID x .625 OD x .065 THK, SST
15	2	23105	WASHER, LOCK, 1/4" KATLINK STYLE, SST
16	2	14618	NUT, HEX, 1/4-20, STAINLESS STEEL
17	1	WHT112342 (not shown)	WIRING HARNESS ASSEMBLY

Assembly Number: KE003929

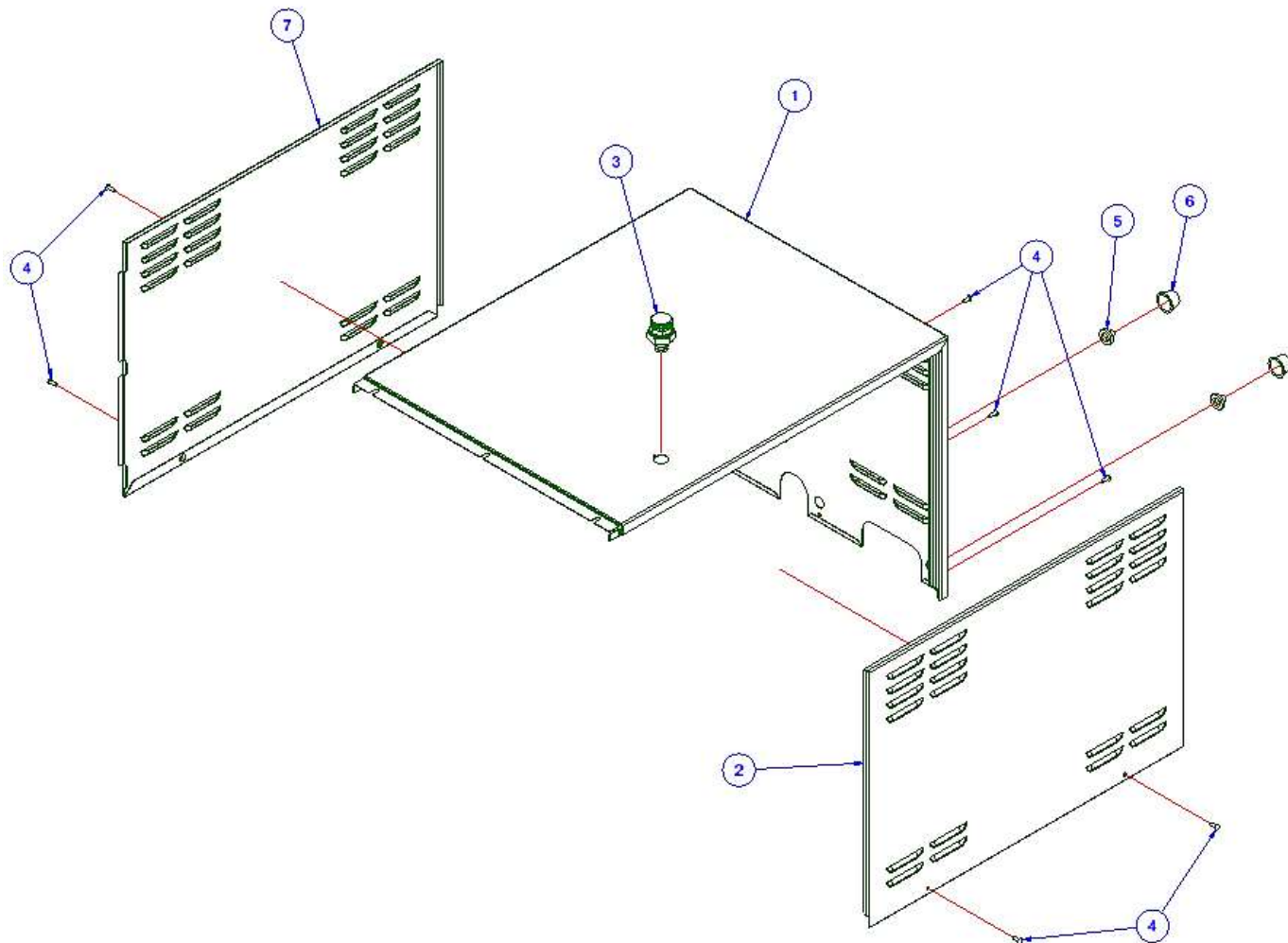
Description: Door Steam Cut Off Switch Assembly



Item	QTY	P/N	Description
1	1	108880	SWITCH, DOOR STEAM CUTOFF
2	1	KE604150	BRACKET; STEAM CUTOFF SWITCH; COUNTERTOP STEAMERS
3	1	KE604172	SCREW, 10-24 X 1.00 SST, PHILLIPS TRUSS HEAD
4	1	104616	NUT, HEX, LOCK, 10-24, SST, NYLON INSERT

Assembly Number: 114016-1 (HL) & 114017-1 (HR)

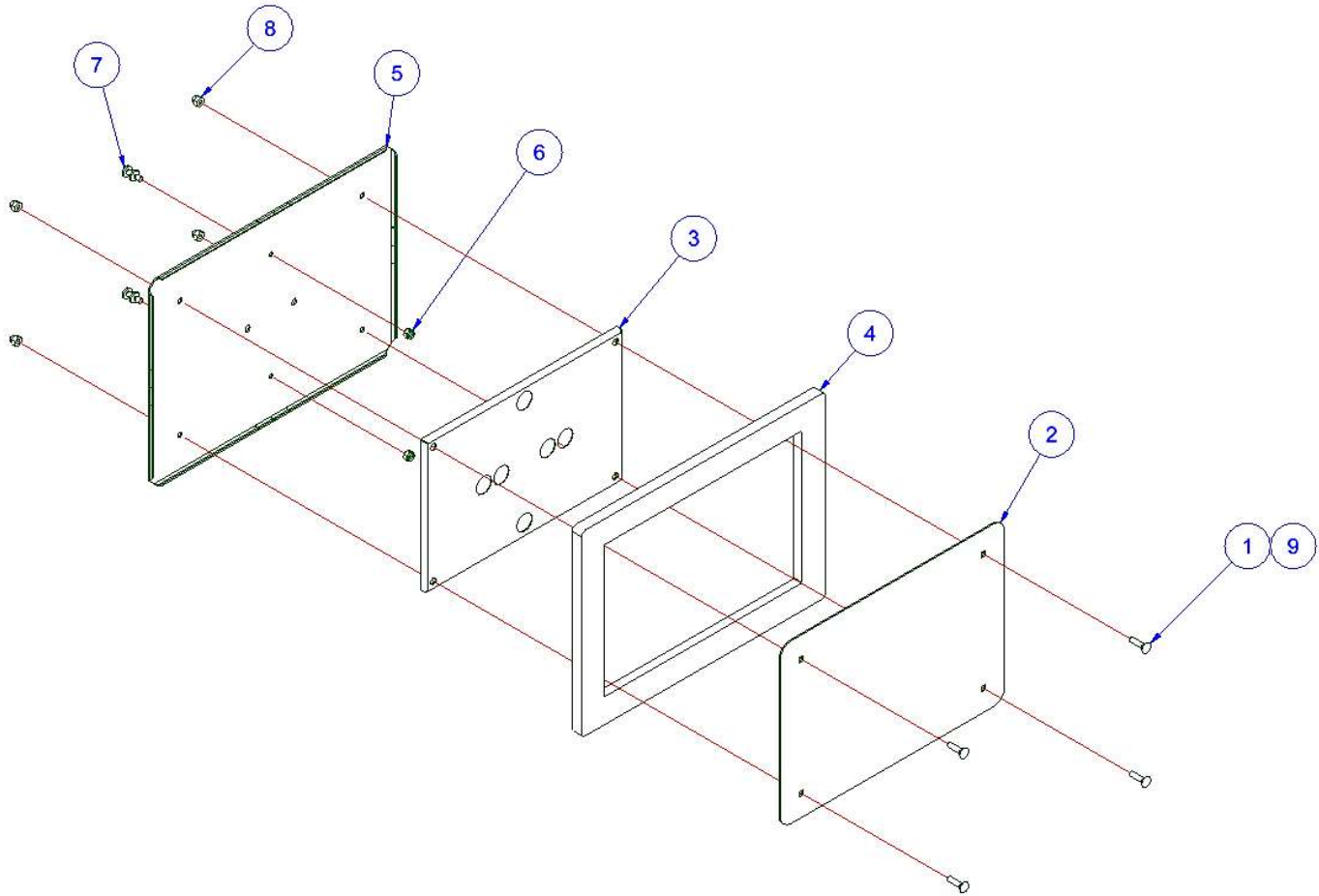
Description: Sheeting, S/C 3



Item	QTY	P/N	Description
1	1	103942 1039421	SHEETING, TOP/BACK, S/C 3.1, HL SHEETING, TOP/BACK, S/C 3.1, HR
2	1	112927	SHEETING, SIDE, STEAMCRAFT 3.1
3	1	109641	PORT ASSY, DESCALER
4	7	104080	SCREW, TR, PHH, 8x1/2, TYPE B, SST
5	2	110987	STRAINER, FILTER WASHER, GARDEN HOSE INLET
6	2	111113	CAP, NON THREADED, PROTECTOR
7	1	112927-1 112927-2	SHEETING, SIDE, HL; STEAMCRAFT 3.1 SHEETING, SIDE, HR; STEAMCRAFT 3.1

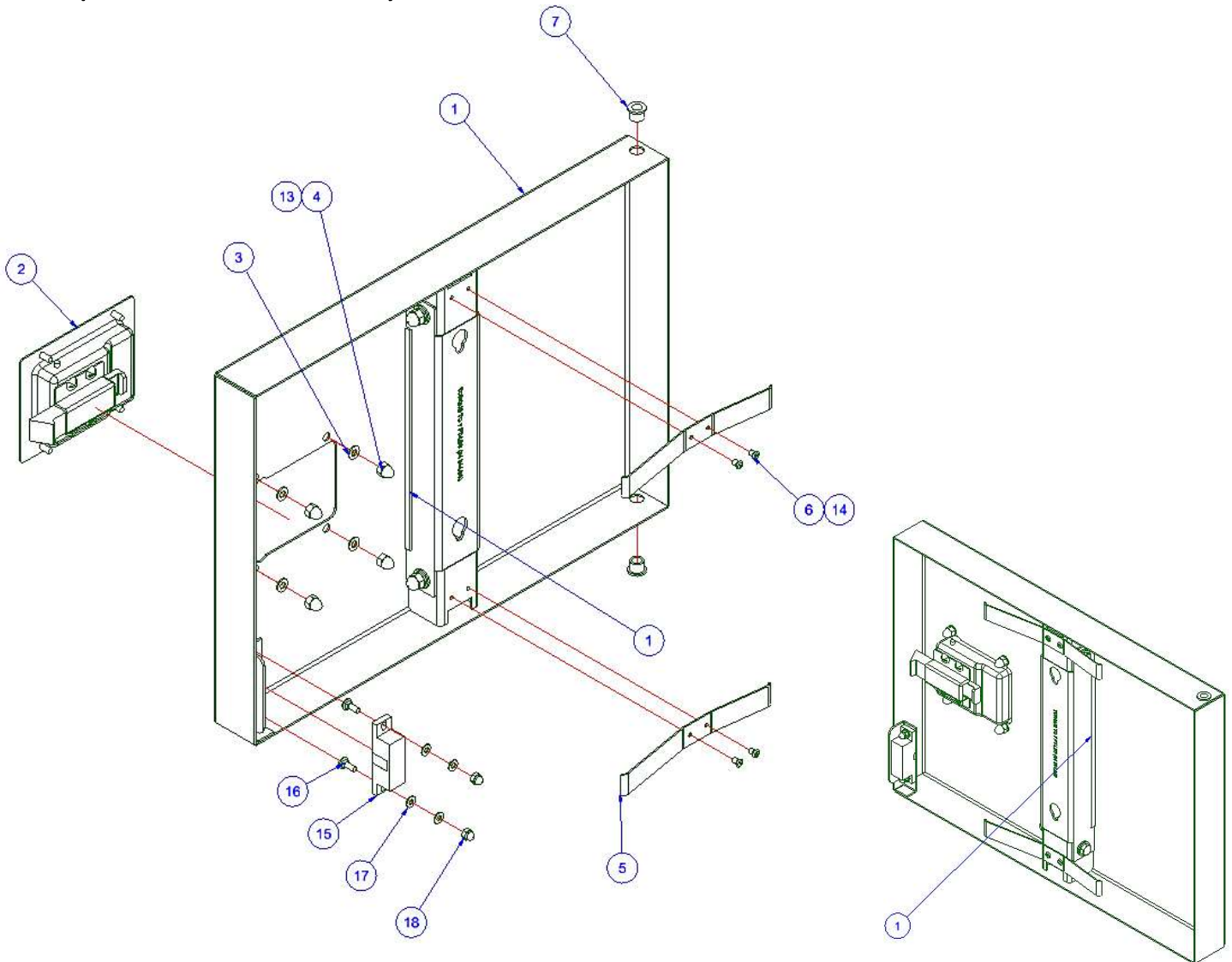
**Assembly Number: 104101**

**Description: Inner Door Assembly**

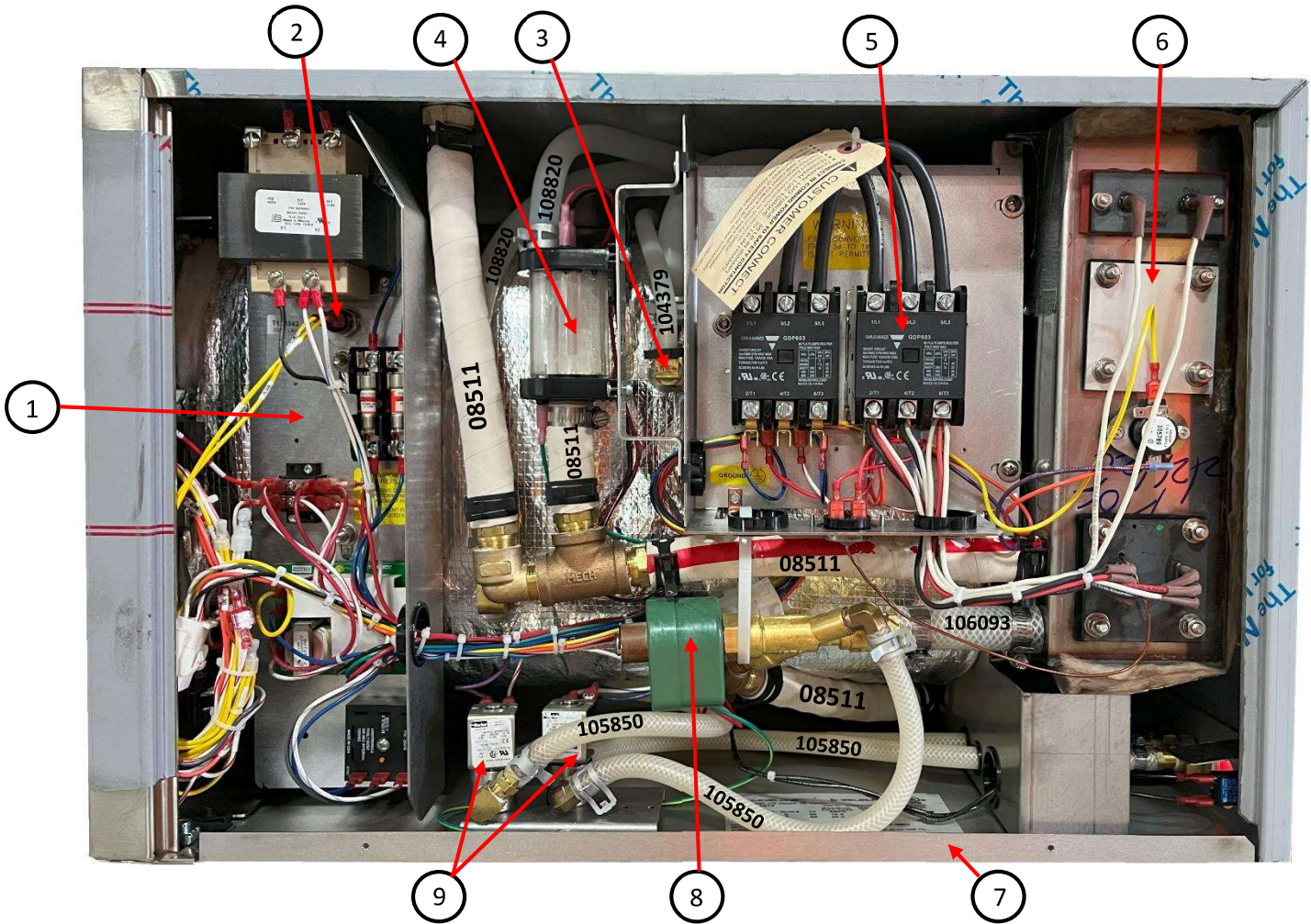


Item	QTY	P/N	Description
1	4	104719	SCREW, CARRIAGE, 1/4-20X1, SST
2	1	66595	PLATE, GASKET RETAINER
3	1	66214	PLATE, INNER DOOR GASKET
4	1	07138	GASKET, DOOR, CONV. STMR., SC
5	1	04171	DOOR, INNER, CONVECTION STEAMER
6	2	14665	NUT, HEX, 1/4-20 LOCK, SST (NYLON INSERT)
7	2	19923	STUD, INNER DOOR MOUNTING
8	4	146771	NUT, ACORN, THRD LOCK, 1/4-20, SST
9	A/R	00933	SEALANT; RTV; CLEAR

**Assembly Number: 115502-1**  
**Description: Outer Door Assembly**



Item	QTY	P/N	Description
1	1	1035274-1	OUTER DOOR, WELDMENT, HL/HR
2	1	103643	LATCH, DOOR-PADDLE TYPE
3	4	101655	WASHER, FLAT, #10, SST
4	4	11000115589	NUT, #10-24, HIGH CROWN ACORN, SST
5	2	102228	SPRING, DOOR, 3/5 PAN
6	4	18357	RIVET, FLUSH BREAK, 0.125 DIA, 0.126/0.187 GRIP, SST
7	2	103641	BUSHING, DOOR HINGE
13	A/R	104146	LOCKTITE #222 LOW STRENGTH
14	A/R	00933	SEALANT, RTV, CLEAR
15	1	108879	MAGNET, DOOR STEAM CUTOFF
16	2	111592	SCREW, 8-32 X 1/2 CARRIAGE HEAD, SST
17	4	101336	WASHER, FLAT, #8, SST
18	2	109164	NUT, HEX, ACORN, 8-32, SST, W/ THREAD LOC



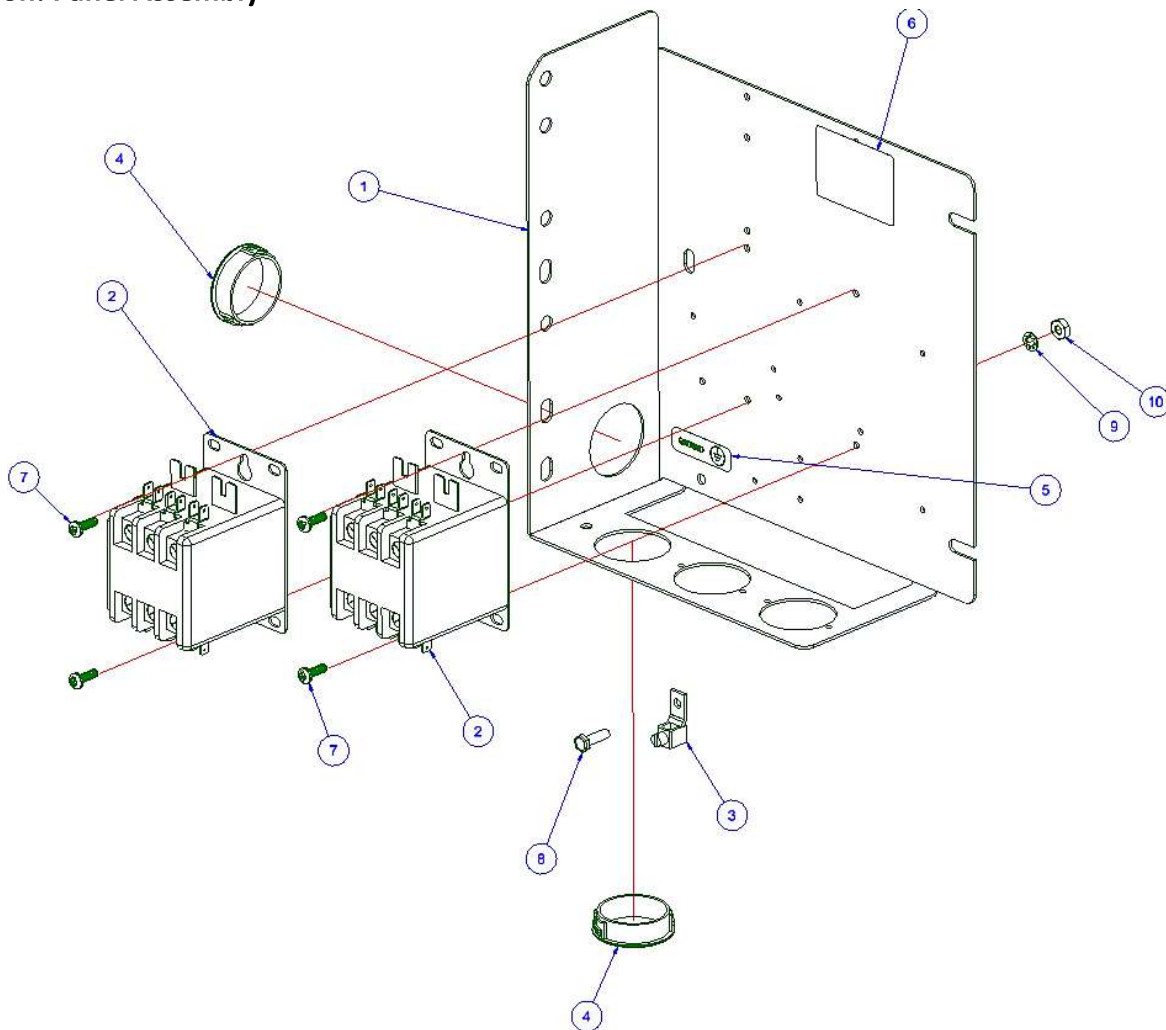
Item	QTY	Part Number	Description
1	1	112342	PANEL, CNTL ASSY, PROBE, HL SC 3.1 & 5.1
	1	112344	PANEL, CNTL ASSY, PROBE, HR SC 3.1 & 5.1
2	1	19972	SWITCH, THERMAL CLOSE 193 DEG. F
3	1	1070591	BREATHER/SPRAY NOZZLE ASSEMBLY
4	1	113978	PROBE & DESCALE ASSY, SC3, HL
		113979	PROBE & DESCALE ASSY, SC3, HR
5	1	112341	PANEL, ASSEMBLY, HL, CUSTOMER CONNECT, SC 3.1 & 5.1
	1	112343	PANEL, ASSEMBLY, HR, CUSTOMER CONNECT, SC 3.1 & 5.1
6	1	104090	GENERATOR ASSEMBLY
7	1	113972 (no stack)	ASSY, BASE, HL, SC 3/5
	1	113974 (stacked)	ASSY, BASE, SC3, HL, STACKED
8	1	106384	VALVE ASSEMBLY, DRAIN, STEAMCRAFT 3.1/5.1 HL
		1063841	VALVE ASSEMBLY, DRAIN, STEAMCRAFT 3.1/5.1 HR
9	1	113976	VALVE ASSEMBLY, WATER INLET SC 3, HL
		113977	VALVE ASSEMBLY, WATER INLET, SC 3, HR

### Hoses & Corresponding Clamps

Hose	Description	Clamp	Description
108820	HOSE, SILICONE 1/2" I.D. X 1/8" WALL	1073122	CLAMP, HOSE, 3/4" OD, METAL
104379	HOSE, SILICONE RUBBER, 1/4" ID	104383	CLAMP, HOSE, NYLON, .500"
106093	HOSE, SILICONE, 3/4 IN ID, REINFORCED	03204	CLAMP, HOSE, WORM DRIVE 0.812 X 1.50 DIA
08511	HOSE, WHITE, EPDM, 3/4" ID	107312	CLAMP, HOSE (1-1/8" O.D. HOSE)
105850	HOSE, REINFORCED, SILICONE, 0.250 ID	1073121	CLAMP; HOSE; 1/4 ID; METAL TENSION BAND

**Assembly Number: 112341 (HL) & 112343 (HR)**

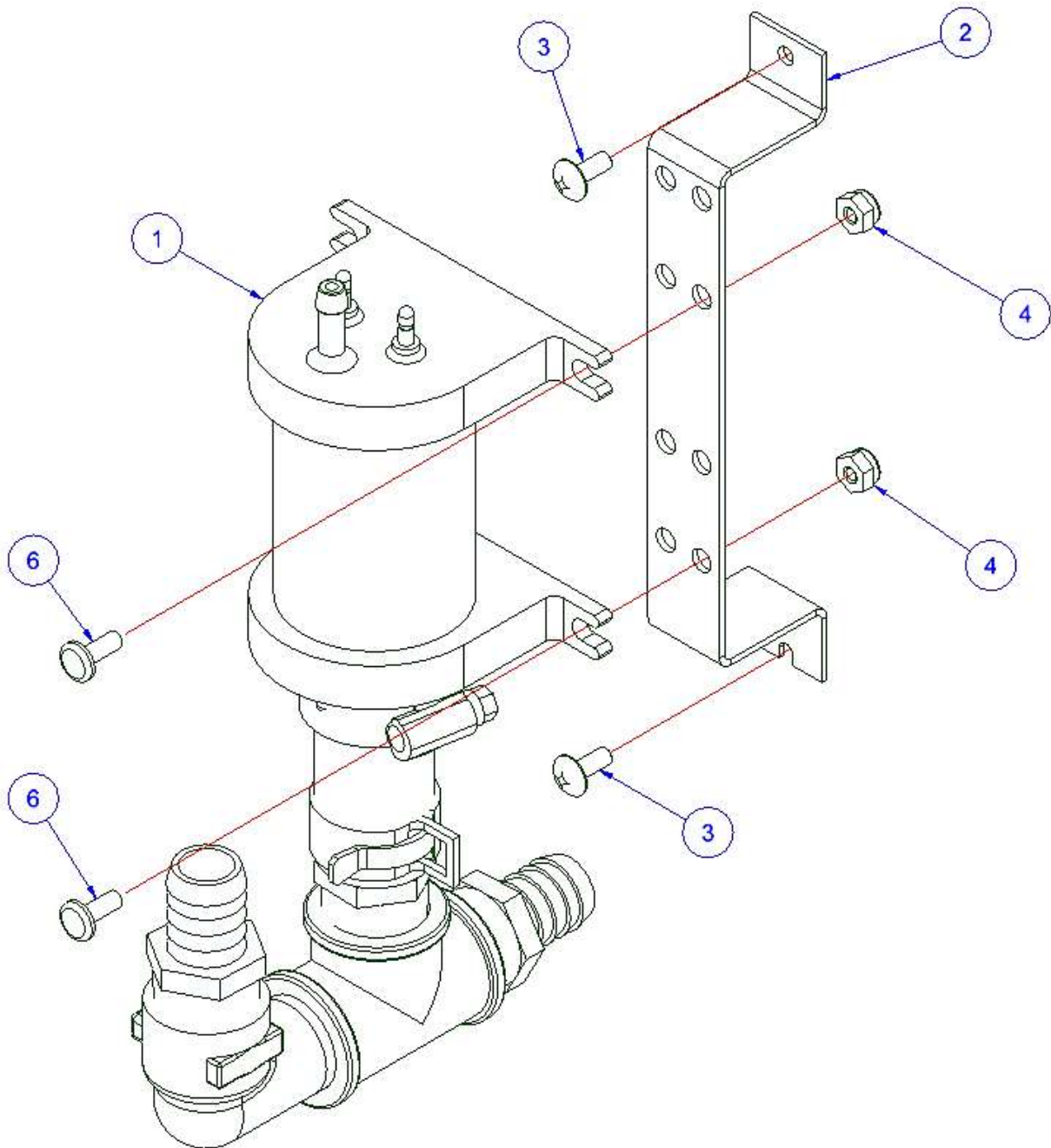
**Description: Panel Assembly**



Item	QTY	P/N	Description
1	1	112312 112339	PANEL, COMPONENT, HV/GAS, S/C 3/5 ELEC & 5 GAS HL PANEL, COMPONENT, HV/GAS, S/C 3/5 ELEC & 5 GAS HR
2	2	03509	CONTACTOR,50 AMP,104-120V
3	1	20304	LUG, GROUND
4	2	102581	BUSHING, SNAP-IN FOR 1 1/2 DIA HOLE
5	1	14897	LABEL, GROUND
6	1	104349	LABEL, WARNING FIELD CONVERSION
7	4	106126	SCREW; 8-32X1/2; TORX/SLTPN HD; THREAD FORMING; ZN PLTD
8	1	108912	SCREW, HEX HD, 10-24x5/8, PLTD
9	1	23114	WASHER, LOCK, INTRNL. TOOTH #10 TYPE A OR B, SST
10	1	14659	NUT, HEX, #10-24, SST
11	2	108734	NUT, "U" TYPE (EXTRUDED) #10-24 UNC 2B THREAD
12	2	19170	SCREW, HEX HD, 1/4 20x5/8, SST
13	3	23105	WASHER, LOCK, 1/4" KATLINK STYLE, SST
14	3	23116	WASHER, FLAT, .281 ID x.625 OD x .065 THK, SST
15	1	14618	NUT, HEX, 1/4-20, STAINLESS STEEL
16	3	300656	WIRE ASSEMBLY, POWER CONTACTOR
17	1	WHT112341 (not shown)	WIRING HARNESS ASSEMBLY

Assembly Number: 113978 (HL) & 113979 (HR)

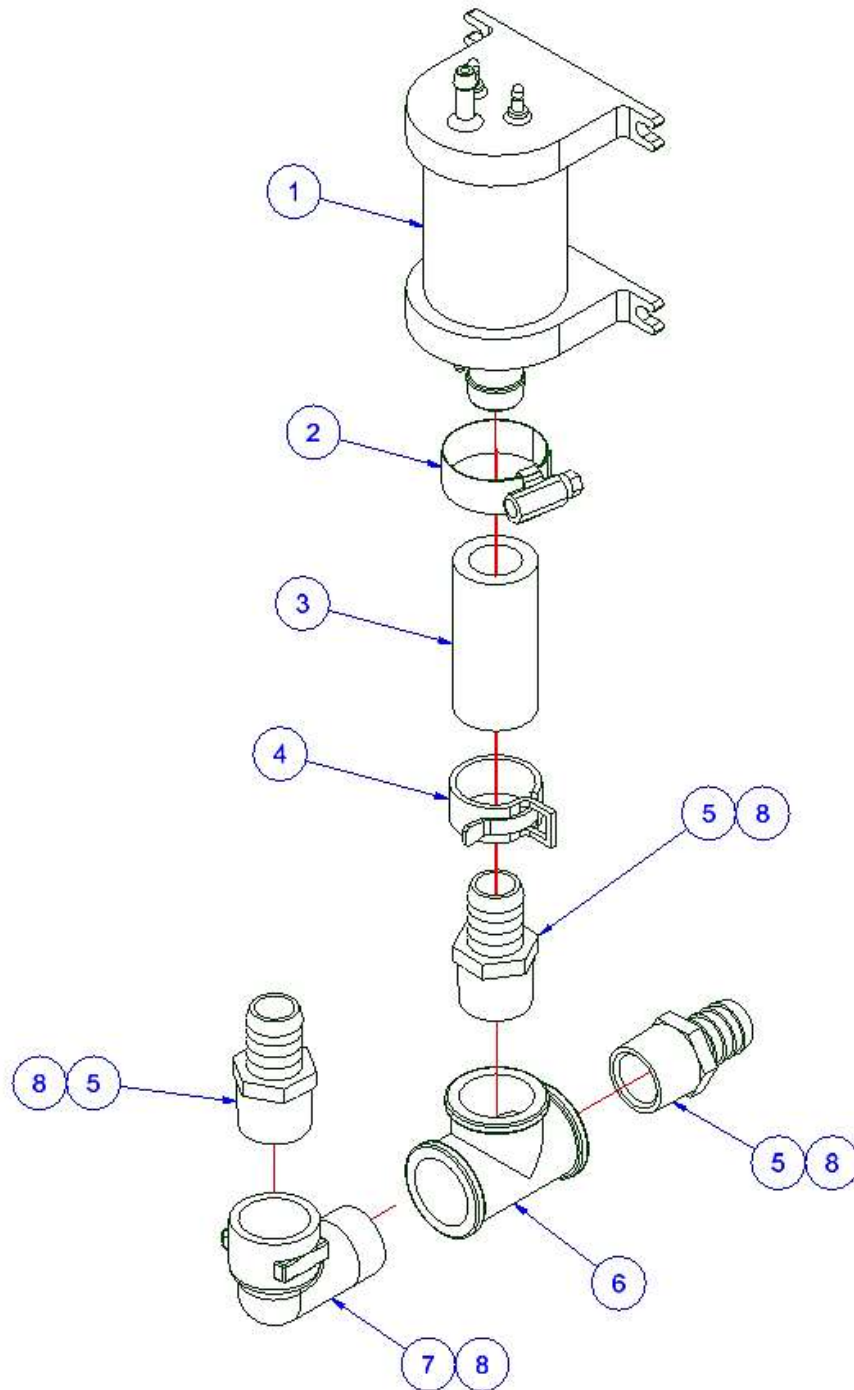
Description: Probe and Descaler Assembly



Item	QTY	P/N	Description
1	1	106227	PROBE & DESCALER ASSY, SC3.1 ELEC.
2	1	107525	BRACKET MOUNTING PROBE SC3/SC5
3	2	101231	SCREW, 10-24 X 0.500 SST, PHILLIPS TRUSS HEAD
4	2	14692	NUT, HEX, 10-24, ELASTIC LOCK, ZINC PLTD, FASTENER
6	2	19287	SCREW, PAN HEAD 10-24 X .50" SST

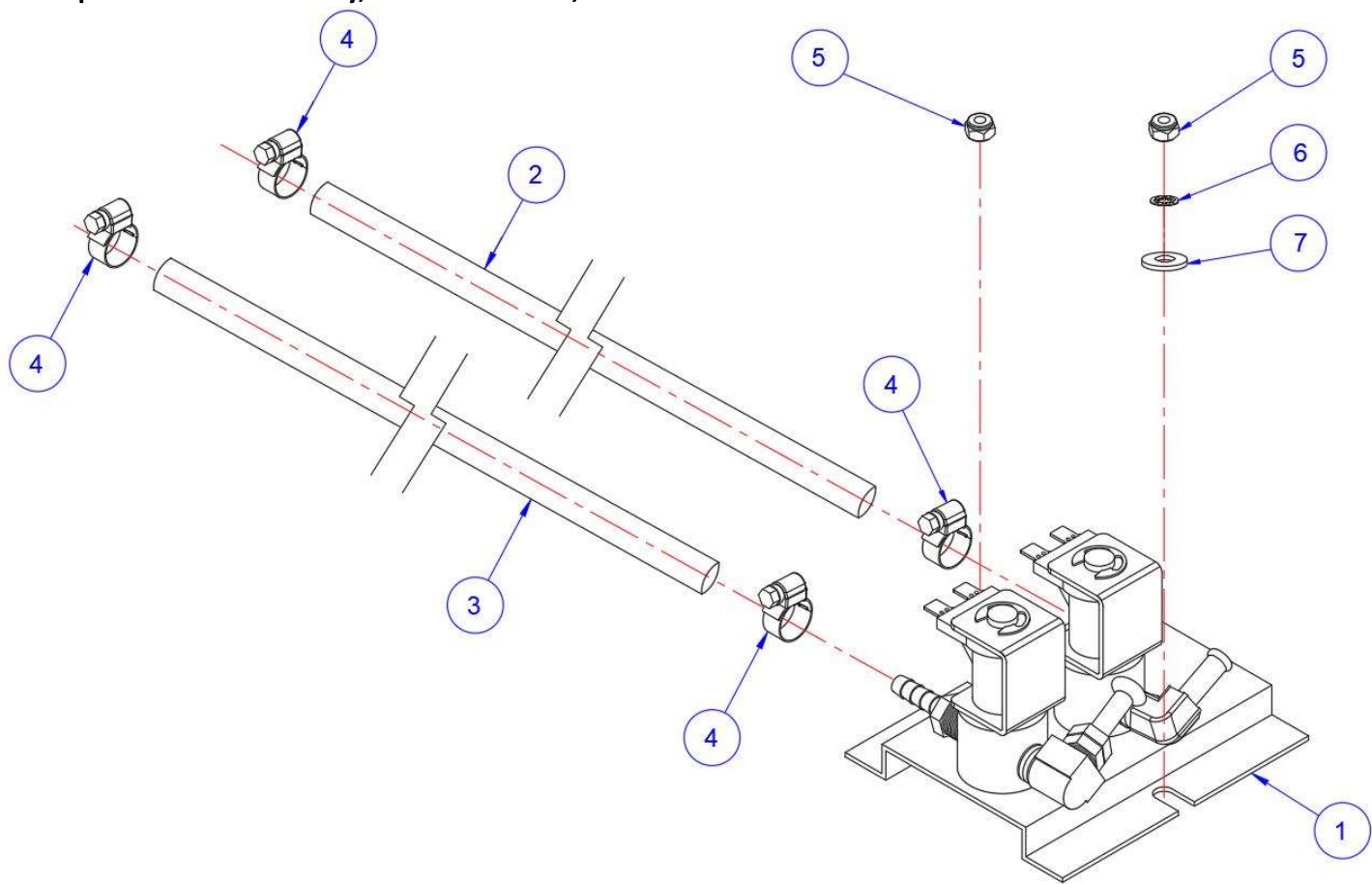
Assembly Number: 106227

Description: Probe and Descale Assembly, S/C 3.1 Elec.



Item	QTY	P/N	Description,
1	1	107239	HOUSING, PROBE, PLASTIC, LEVEL CONTROL
2	1	03204	CLAMP, HOSE, WORM DRIVE 0.812 X 1.50 DIA
3	1	085110250	HOSE, WHITE EPDM, 3/4" ID X 2.500" LG
4	1	107312	CLAMP, HOSE, 1 1/8" OD, METAL TENSION BAND
5	3	06240	FTG, HOSE BARB, 3/4 X 3/4 MPT
6	1	20206	TEE, 3/4, BRASS
7	1	05231	ELBOW, STREET 90 X 3/4 NPT, BRASS
8	A/R	00934	SEALANT; PIPE DOPE; ONE PINT CAN

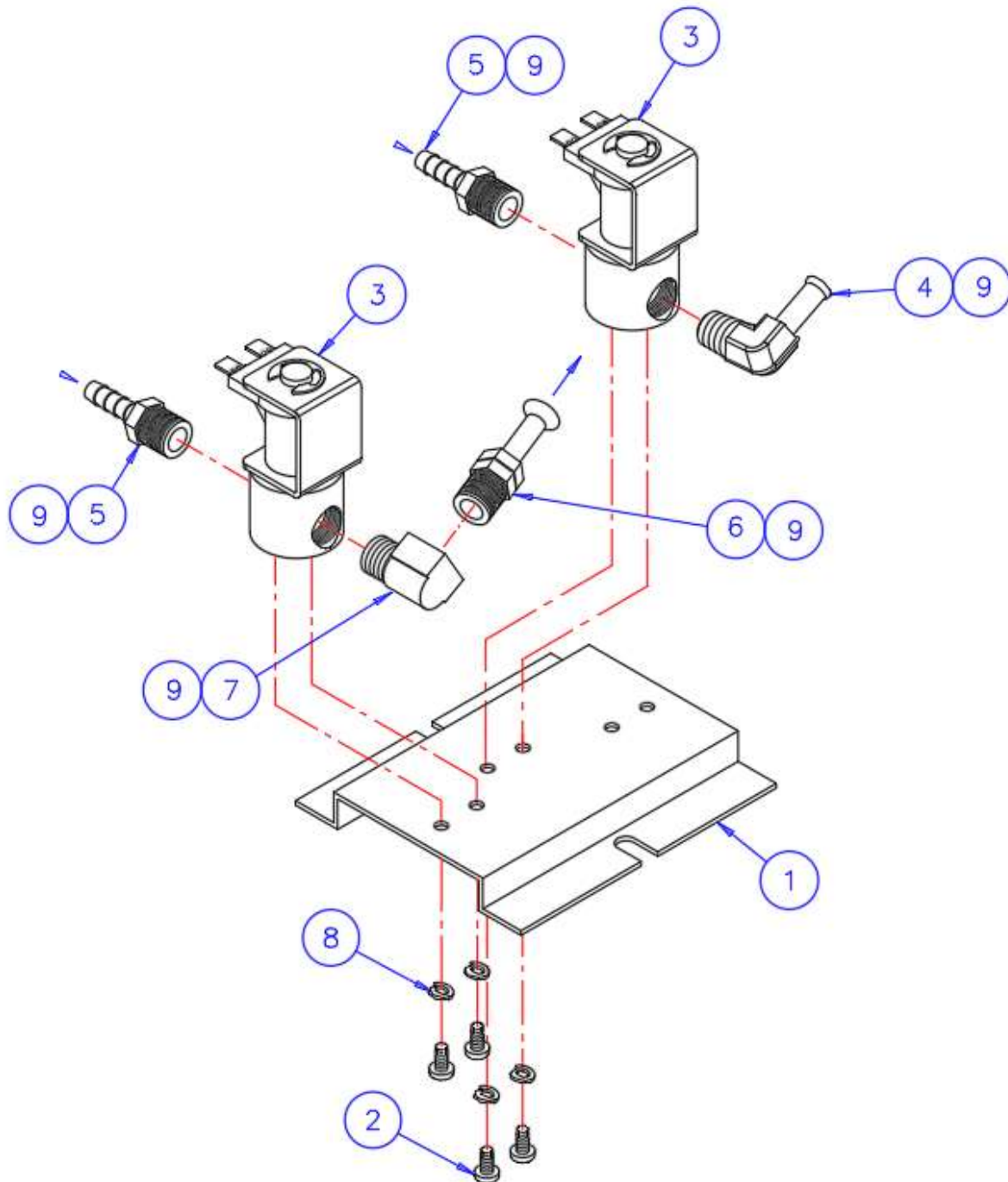
**Assembly Number: 113976 (HL) & 113977 (HR)**  
**Description: Valve Assembly, Water Inlet SC3, HL**



Item	QTY	P/N	Description
1	1	109992	VALVE ASSY, INLET, SC3/5
2	1	1058501900	HOSE, NYLON REINFORCED, 1/4 ID X 19.00 LG
3	1	1058502100	HOSE, NYLON REINFORCED, 1/4 ID X 21.00 LG
4	4	106526	CLAMP, HOSE, WORM DR, 1/4-5/8, 5/16W
5	2	14672	NUT, LOCK, 10-32
6	1	23114	WASHER, LOCK
7	1	23116	WASHER, FLAT

Assembly Number: 109992

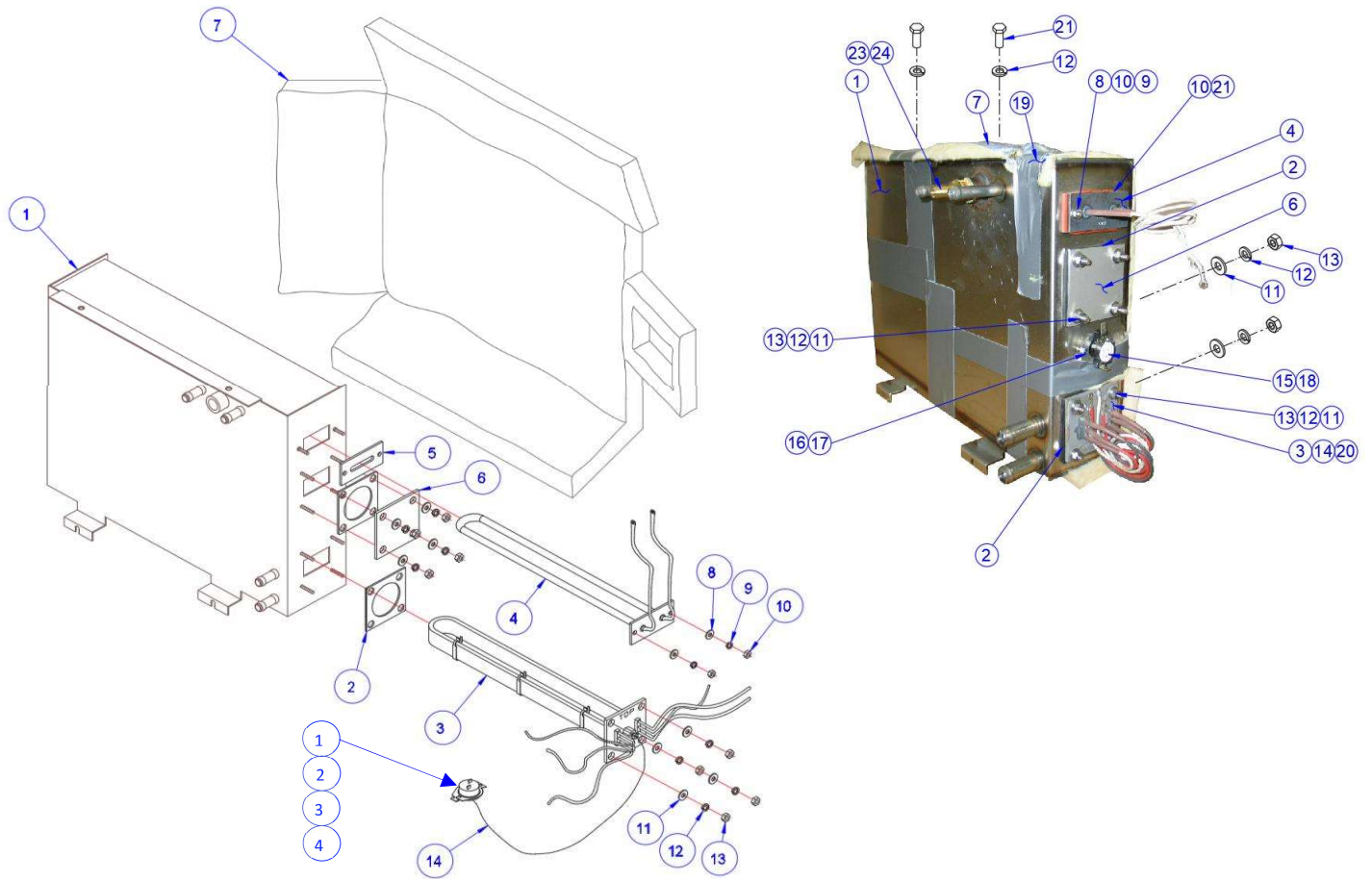
Description: Valve Assembly, Water Inlet S/C 5.1 HL



Item	QTY	P/N	Description
1	1	104284	BRACKET, MOUNTING
2	4	19114	SCREW, #8-32 X .375 THD. CUT
3	2	22218	SOLENOID VALVE
4	1	111289	FTG; HOSE BARB; 90°; 1/4 H X 1/4 NPT MALE
5	2	104381	FITTING, HOSE, 1/4 H X 1/4 MPT
6	1	1098651	FLOW RESTRICTOR, .062. FOR 1/4 ID HOSE
7	1	05235	ELBOW, STREET 1/4 X 90° BRASS
8	4	102641	WASHER, SPLIT
9	A/R	00934	SEALANT, PIPE DOPE

**Assembly Number: 104090**

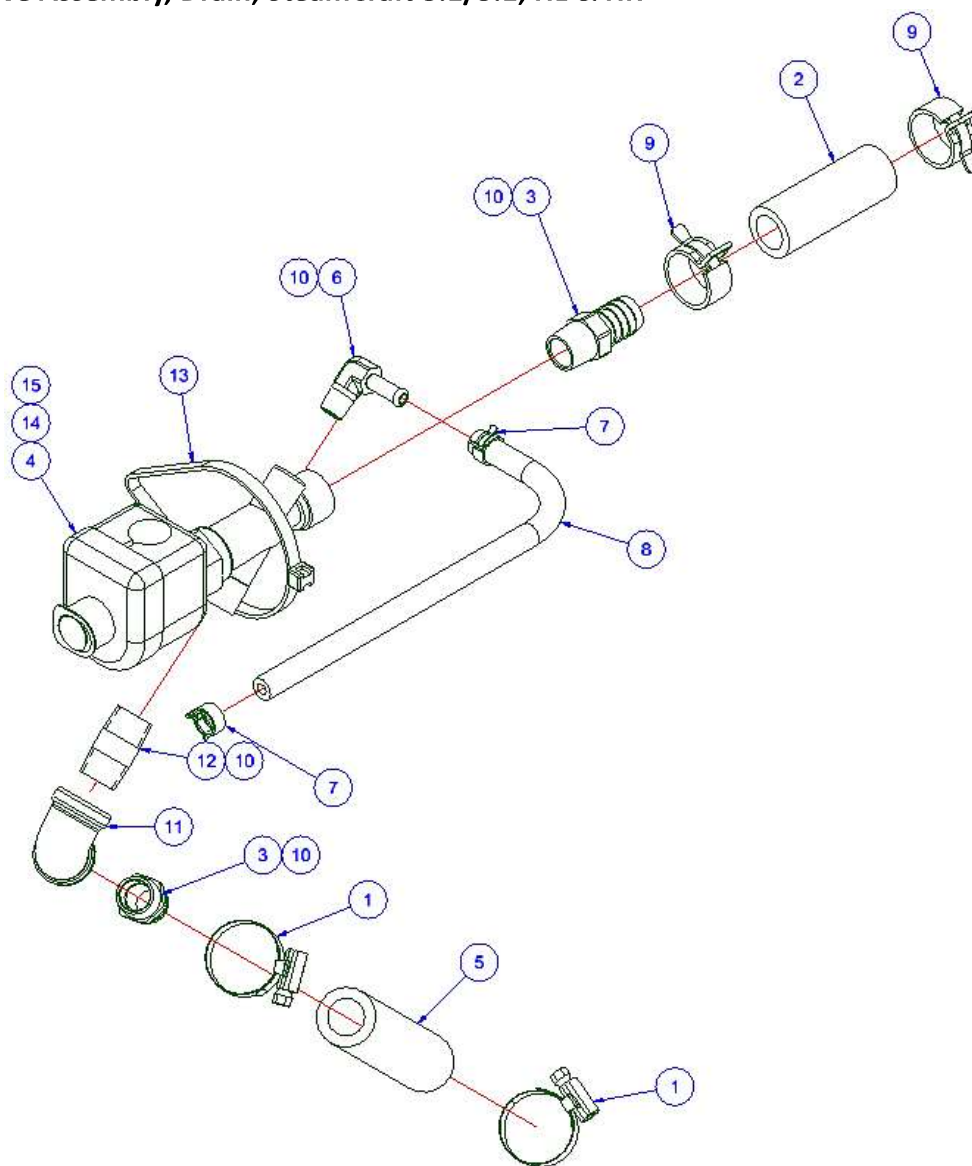
**Description: Generator Assembly SteamCraft Ultra 3 HL**



Item	QTY	P/N	Description
1	1	104089 1040891	GENERATOR ASSY, WELD, SC 3.1 HL GENERATOR ASSY, WELD, SC 3.1 HR
2	2	07128	GASKET
3	1	1038811 103881 1038815	HEATER ASSY, 8 kw, 208 V HEATER ASSY, 8 kw, 240 V HEATER ASSY, 8 kw, 480 V
4	1	104306 1043061 1043062	ELEMENT, IMMERSION, 300W, 208 V ELEMENT, IMMERSION, 300W, 240 V ELEMENT, IMMERSION, 300W, 480 V
5	1	104386	GASKET, DRYING ELEMENTS
6	1	104614	PLATE, GENERATOR CLEAN-OUT
7	1	104060	INSULATION, CUT, GENERATOR 3.1
8	2	101655	WASHER, FLAT, #10 SST
9	2	23113	WASHER, LOCK, SPLIT RING, CAD PLATED, #10
10	2	14659	NUT, HEX, 10-24 SST
11	10	23116	WASHER, FLAT 1/4 X 5/8
12	12	23105	WASHER, LOCK, 1/4 SST
13	10	14618	NUT, HEX, 1/4-20 SST
14	1	103731	CAPILLARY, HI LIMIT
15	1	105789	SWITCH, THERMAL
16	2	14674	NUT, HEX, 6-32, ZINC PLTD
17	A/R	01205	ADHESIVE, LOCTITE, GREEN
18	A/R	109139	COMPOUND, HEATER BLOCK
19	A/R	00944	DUCT TAPE, 3"
20	2	106127	SCREW, 6-32 X 1/2, TORX/PAN HD
21	2	19170	SCREW, HEX HD, 1/4-20x5/8, SST
22	A/R	107034	SEALANT, DOW CORNING 736
23	1	06237	FITTING, HOSE BARB, 1/2 x 1/2 MPT
24	A/R	00934	SEALANT, PIPE DOPE

Assembly Number: 106384 (HL) & 1063841 (HR)

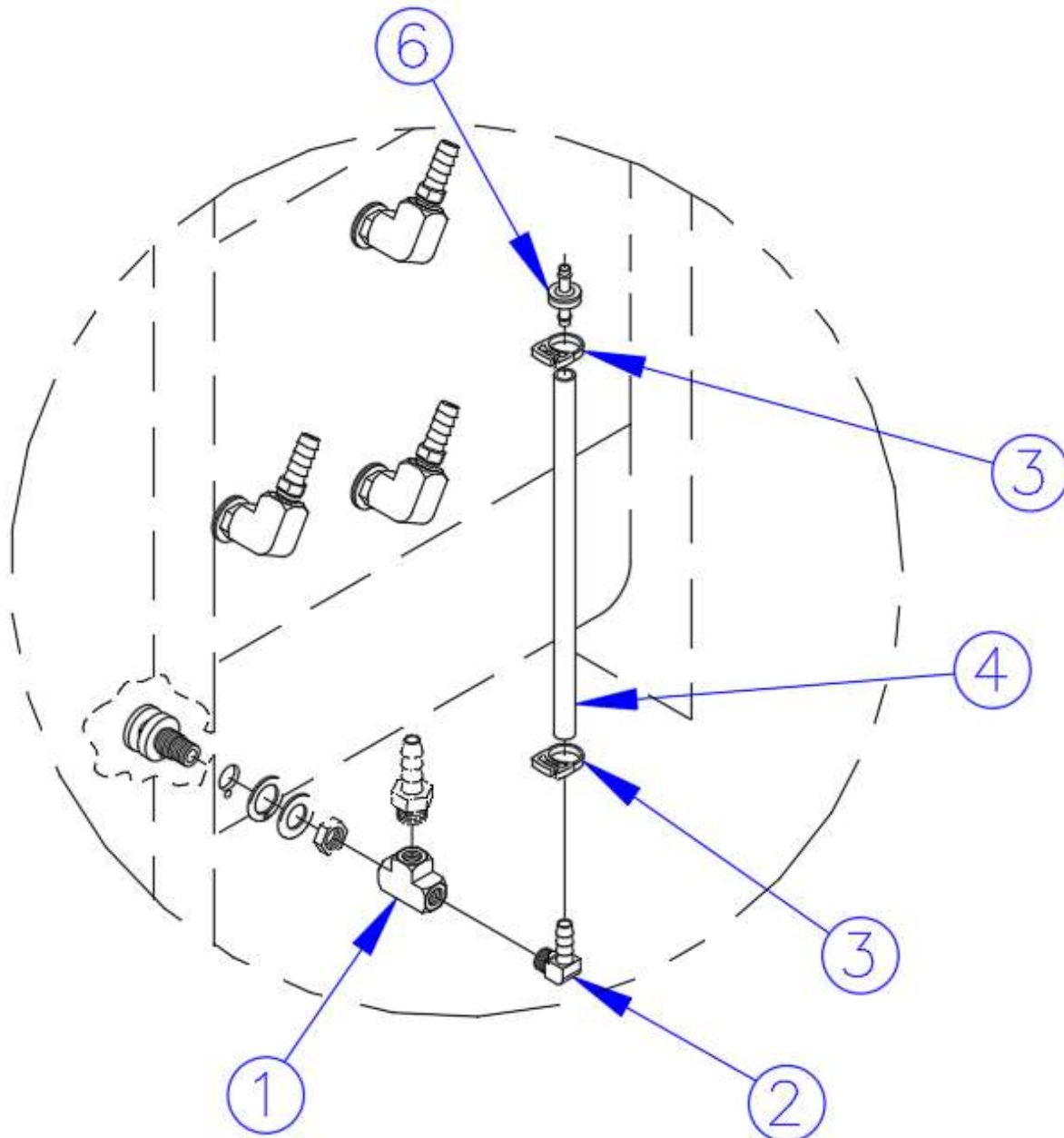
Description: Valve Assembly, Drain, SteamCraft 3.1/5.1, HL & HR



Item	QTY	P/N	Description
1	2	03204	CLAMP, HOSE, WORM DRIVE 0.812 X 1.50 DIA
2	1	1060930300	HOSE, SILICONE 3/4" ID X 3.000 LG.
3	2	06241	FTG, HOSE BARB, 3/4HX1/2MPT, BR.
4	1	22221	VALVE, SOLENOID, 1/2" DRAIN, 18IN LEAD
5	1	085111000	HOSE, WHITE EPDM, 3/4"ID X 10.000" LG
6	1	111289	FITTING, ELBOW, 90 1/4" HOSE X 1/4" NPT MALE
7	2	1073121	CLAMP; HOSE; 1/4 ID; METAL TENSION BAND
8	1	1058501200	HOSE, NT-80, 1/4 X 1/2 X 12" LG
9	2	107312	CLAMP, HOSE, 1 1/8"OD, METAL TENSION BAND
10	A/R	00934	SEALANT, RECTORSEAL
11	1	05250	ELBOW, 90°, 1/2 NPT, BRASS
12	1	14326	NIPPLE .50NPTx 1.50SCH 40 BRASS TBE
13	1	300840	WIRE TIE, RELEASABLE, NYLON, 14.500 LG
14	1	20336	TERMINAL, RING, NON-INSUL. #10 STUD
15	2	20351	TERMINAL, SLIPON .032 X .25 TAB

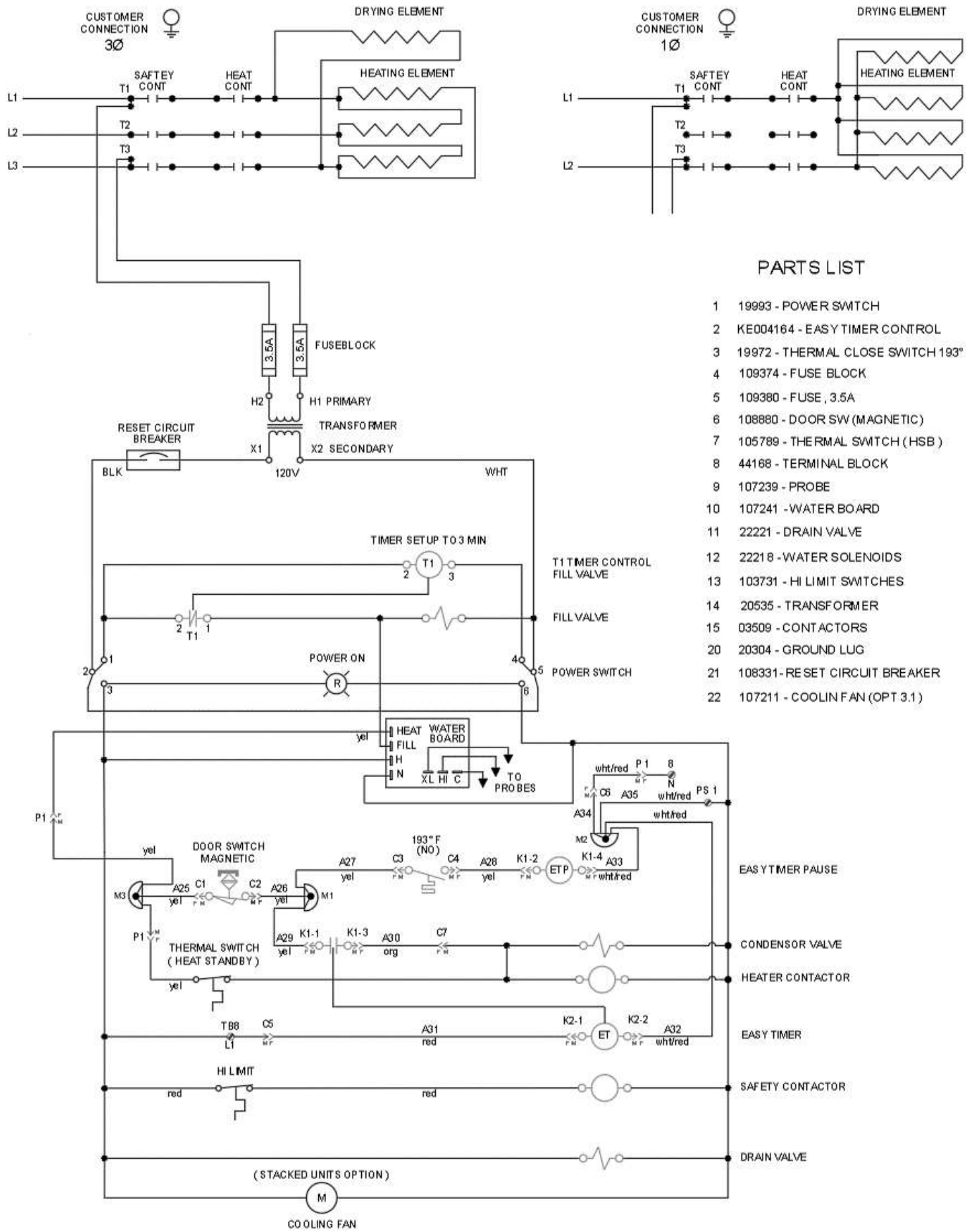
Assembly Number: 1070591

Description: Breather/Spray Nozzle Assembly



Item	QTY	P/N	Description
1	1	20199	TEE, 1/4, BRASS
2	1	105786	FITTING, HOSE BARB, 1/4 H x 1/4 MPT 90°
3	2	104383	CLAMP, HOSE, NYLON
4	1	1043792600	HOSE, SILICONE, 1/4 x 26.000
5	1	20451	TIE, NYLON CABLE
6	1	107032	CHECK VALVE, PLASTIC DIAPHRAGM

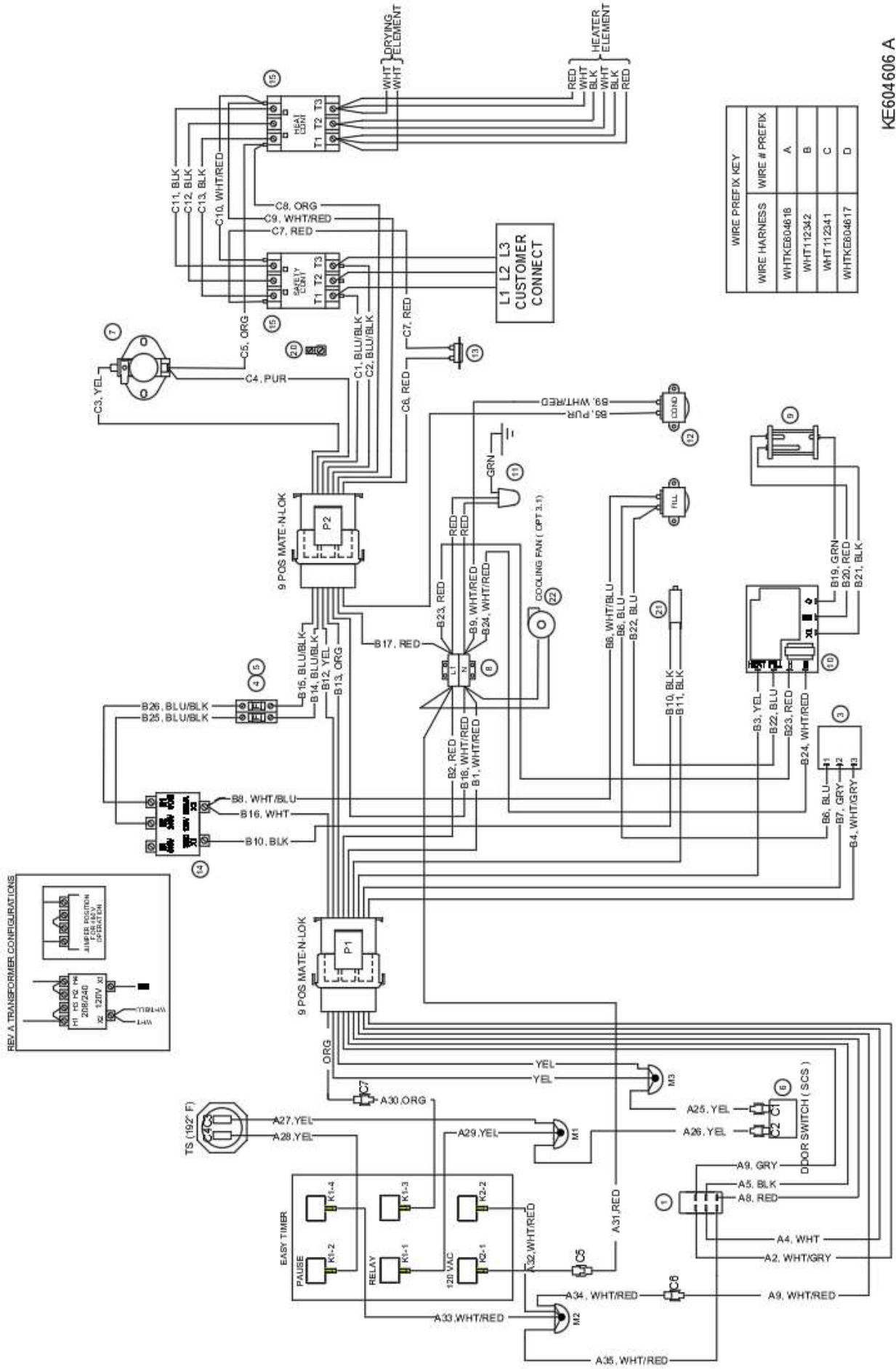
# STEAMCRAFT 3.1 EASY TIMER



## PARTS LIST

- 1 19993 - POWER SWITCH
- 2 KE004164 - EASY TIMER CONTROL
- 3 19972 - THERMAL CLOSE SWITCH 193°
- 4 109374 - FUSE BLOCK
- 5 109380 - FUSE, 3.5A
- 6 108880 - DOOR SW (MAGNETIC)
- 7 105789 - THERMAL SWTCH (HSB)
- 8 44168 - TERMINAL BLOCK
- 9 107239 - PROBE
- 10 107241 - WATER BOARD
- 11 22221 - DRAIN VALVE
- 12 22218 - WATER SOLENOIDS
- 13 103731 - HI LIMIT SWITCHES
- 14 20535 - TRANSFORMER
- 15 03509 - CONTACTORS
- 20 20304 - GROUND LUG
- 21 108331 - RESET CIRCUIT BREAKER
- 22 107211 - COOLIN FAN (OPT 3.1)

STEAMCRAFT 3.1 EASY TIMER ( PROBE )  
 CUSTOMER CONNECT AT SAFETY CONTACTOR T1,2 & 3 FOR 3Ø FOR 1Ø (3.1 ONLY) SEE SHEET 2



# Cleveland

## Service/Parts:

1-844-724-2273

US: Press #4 after prompt to be directed to Technical Services. Press #2 after prompt to be directed to Cleveland.

Canada: Press #1 after prompt to be directed to service in Canada.

---

Every new piece of Welbilt Foodservice equipment comes with KitchenCare® and you choose the level of service that meets your operational needs from one restaurant to multiple locations

**StarCare** – Warranty & lifetime service, certified OEM parts, global parts inventory, performance audited

**ExtraCare** – CareCode, 24/7 Support, online/mobile product information

**LifeCare** – Install & equipment orientation, planned maintenance, KitchenConnect™, MenuConnect®

**Talk with KitchenCare®** • 1-844-724-CARE • [www.mtwkitchencare.com](http://www.mtwkitchencare.com)



To learn how Welbilt Foodservice and its leading brands can equip you, visit our global web site at [www.welbilt.com](http://www.welbilt.com), then discover the regional or local resources available to you.

©2016 Welbilt Foodservice except where explicitly stated otherwise. All rights reserved. Continuing product improvement may necessitate change of specifications without notice.