

SteamCraft

Cleveland

Electric Convection Steamer with Easy Timer

Parts Manual

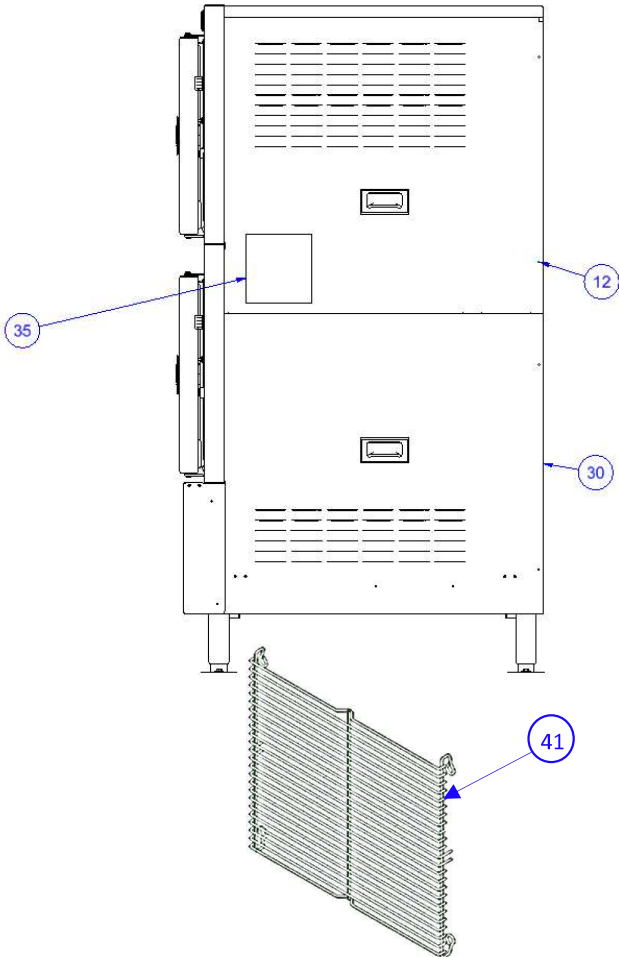
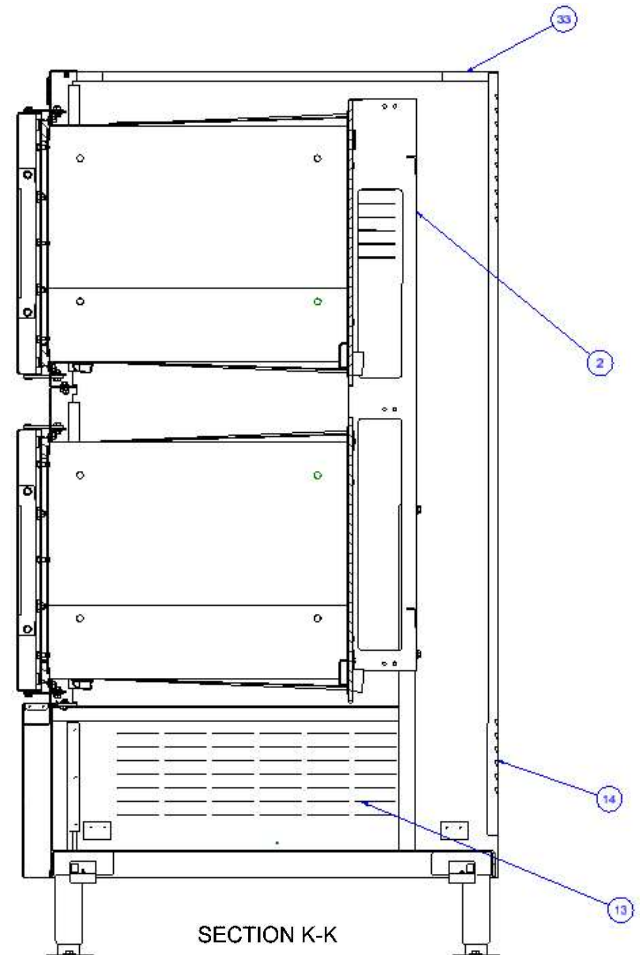
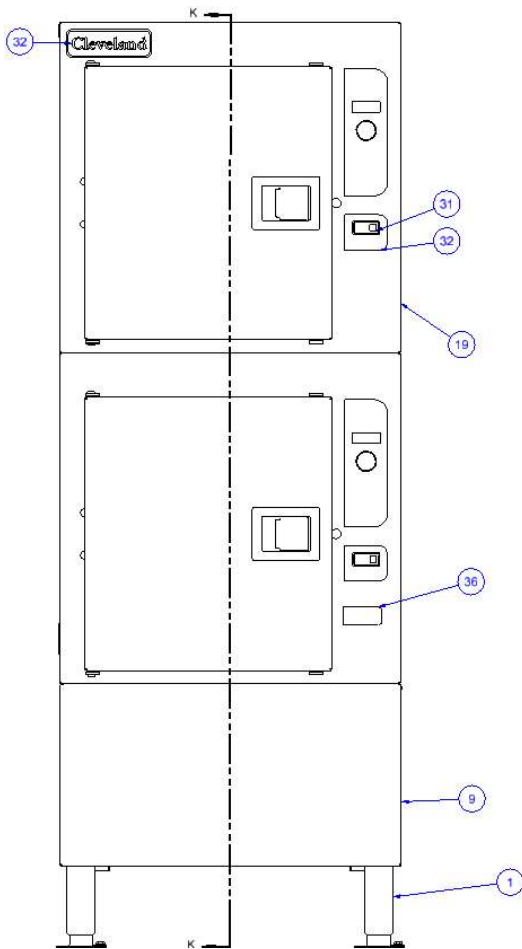
MODELS:

24CEA10.2



KE004032-21 Rev A
November 2023

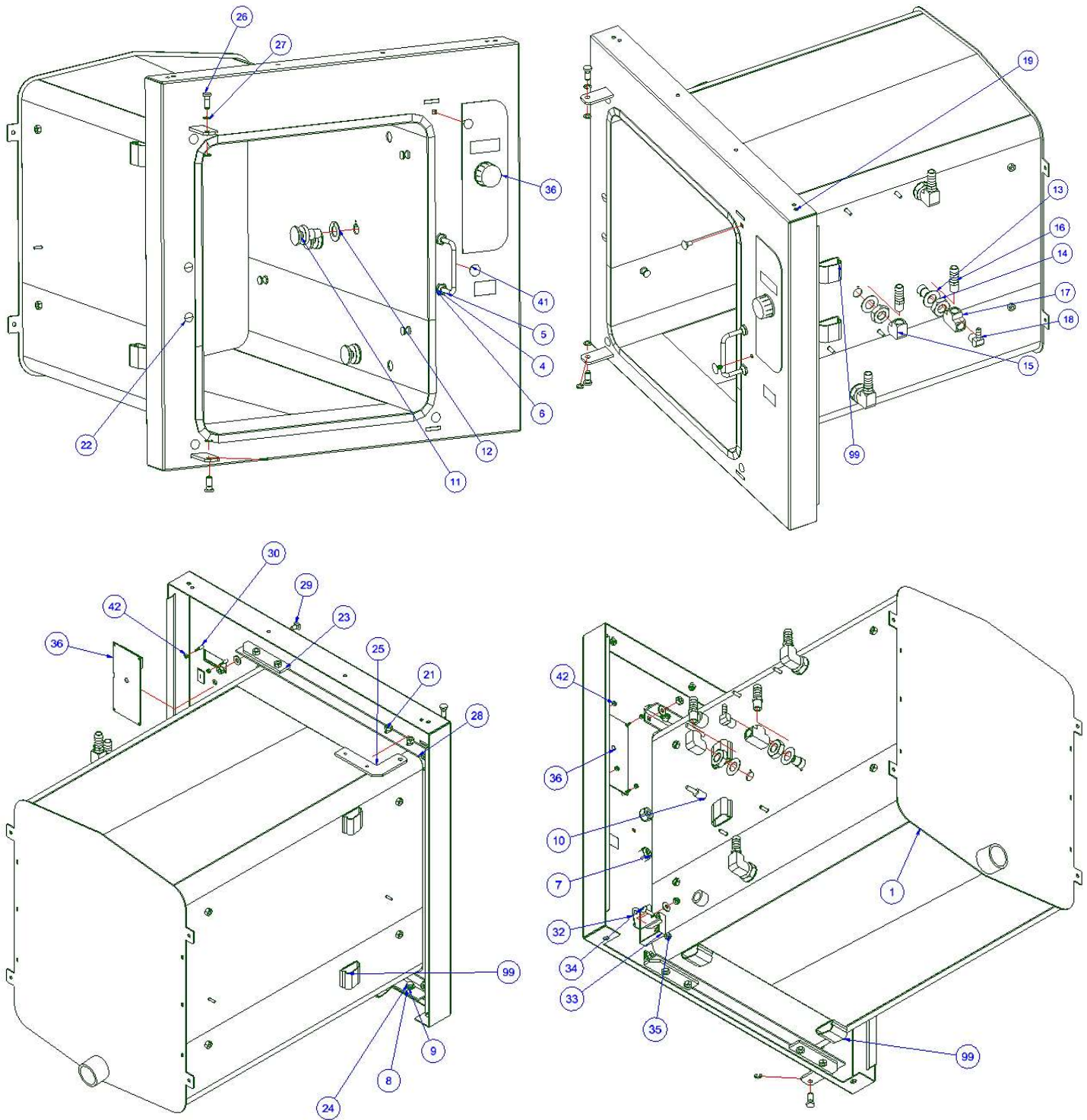
Description: 24CEA10.2 General Body Assembly 1



Item	QTY	Part No.	Description
1	1	KE004137	BASE WELDMENT ASSEMBLY
2	1	KE004136	CAVITY, BACK, WELD ASSEMBLY
4	16	19170	SCREW, HEX HD, 1/4-20x5/8, SST
5	32	23116	WASHER, FLAT, .281 ID x .625 OD x .065 THK, SST
6	8	14618	NUT, HEX, 1/4-20, STAINLESS STEEL
7	16	23105	WASHER, LOCK, 1/4" KATLINK STYLE, SST
8	8	14652	NUT, HEX, 5/16-18, SST
9	1	KE004182	PANEL, LOWER FRONT, ASSEMBLY
11	1	105666	PANEL ASSY, TOP-WELDMENT
12	1	107273	PNL. ASY, RIGHT SIDE, TOP, HLF, S/C 10 ULTRA & D.C.
13	1	106043	PANEL, SIDE, LEFT ASSY, STEAMCRAFT 10
14	1	113303	PANEL, BACK STEAMCRAFT 10
15	2	108908	PNL, ASY, TOP-WELD, GAS, GEMINI
17	2	KE604578	INSULATION REAR WALL
18	8	101953	CLIP, INSULATION RETAINER, 1-1/2, .105 HOLE, GALV.
19	2	KE004134-1	BODY ASSY, HL/HR, EASYTIMER
30	1	107272	PNL. ASY, RIGHT SIDE, BOTTOM HALF
31	2	19993	SWITCH, ROCKET, DPDT, ON/OFF 15A, 125V
32	2	KE604449	LABEL, ON/OFF
33	1	105681	PNL ASSY, TOP, SC10, ELEC
35	1	KE604822	EASYTIMER LABEL INSTRUCTIONS
40	1	KE604706-1	LABEL, MODEL 24CEA10.2, EASYTIMER
41	2	414232	RACK ASSEMBLY, 5 PAN COMPARTMENT

Assembly Number: KE004134-1 (HL)

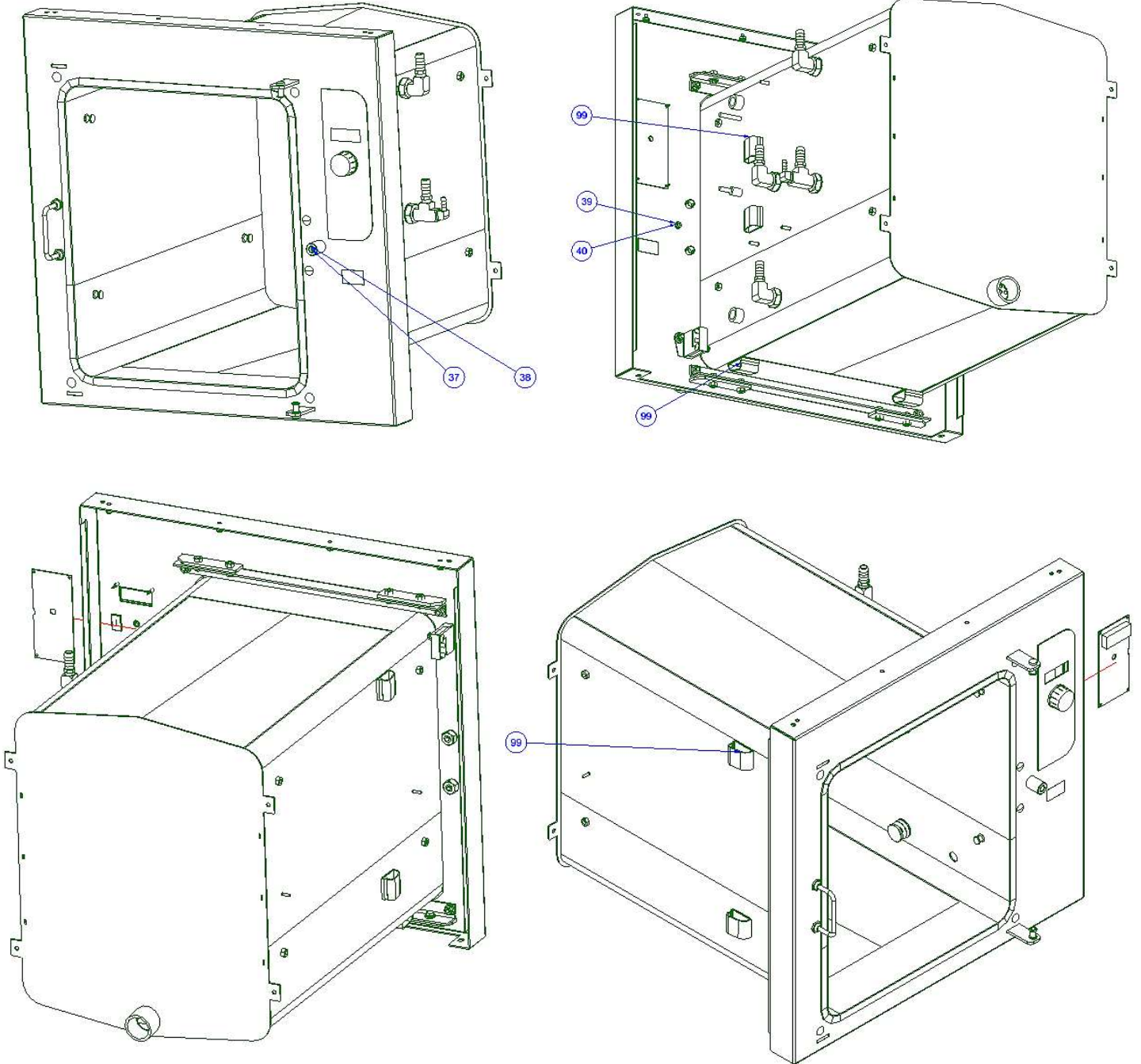
Description: Body Assembly, HL, SteamCraft 10 & 10.2, Easy Timer



Item	QTY	Part NO.	Description
2	1	69298	SCREEN; DRAIN COMPARTMENT (STAINLESS)
3	1	14677	NUT, ACORN, 1/4-20, SST (FOR DRAIN COMPARTMENT SCREEN)
4	4	14695	NUT, DOOR CATCH MOUNTING
5	1	104046	CATCH, DOOR
6	2	23149	WASHER, NYLON, TYPE 6/6
7	2	14649	NUT, HEX, 1/2-13, ZINC PLTD
8	14	23116	WASHER, FLAT, .281 ID x .625 OD x .065 THK, SST
9	8	23105	WASHER, LOCK, 1/4" KATLINK STYLE, SST
10	1	195552	SPACER, 1/4" I.D. X 1/2 O.D. X 0.688 LG.
11	4	104009	STEAM SUPPLY
12	4	104082	STEAM INJECTOR
13	4	104232	WASHER, FLAT, .640IDx.032x 1.187 OD S/S
14	4	104081	NUT, JAM 5/8-18, BRASS
15	3	05236	ELBOW, 1/4 X 90, BRASS
16	4	104048	FTG; HOSE; BARB; 1/2Hx1/4 NPT
17	1	20199	TEE, 1/4", BRASS
18	1	105786	FTG, HOSE BARB, 1/4Hx1/4MPT, 90°, BRASS
19	4	14672	NUT, HEX, 10-32, ELASTIC LOCK, ZINC PLTD
20	1	104193	INSUL., BODY, SC 5, HL/HR
21	12	14618	NUT, HEX, 1/4-20, STAINLESS STEEL
22	2	KE604471	ROUND PLUG; 9/16 OD; 1/2 HOLE
23	2	KE604468	HINGE, DOOR, BLANK
24	8	19170	SCREW, HEX HD, 1/4-20x5/8, SST
25	2	KE604469	HINGE, DOOR
26	2	104077	PIN, HINGE
27	4	104062	RING, EXT, RETAINING, SST
28	2	KE604467	HINGE, ANGLE
29	4	108644	SCREW, CARRIAGE, 1/4-20x1/2, SST (RND HEAD, SQ NECK)
30	4	KE604586	EASY TIMER SPACER
32	1	KE604151	BRACKET; STEAM CUTOFF SWITCH; 10 PAN STEAMERS
33	2	108880	SWITCH, DOOR STEAM CUTOFF
34	1	109053	SCREW, 10-24 X 0.750 SST, PHILLIPS TRUSS HEAD
35	2	14692	NUT, HEX, 10-24, ELASTIC LOCK, ZINC PLTD, FASTENER
36	1	KE004164	EASY TIMER ASSEMBLY
37	1*	FA10245	FA10245
38	1*	KE604635	1" HT SBR RUBBER BUMPER
39	1*	FA30076	#10 FLAT WASHER ZINC PLATED
40	1*	FA20504-2	8-32 KEPS NUT ZC
41	1*	KE604638	0.250" PLASTIC PUSH IN RIVET
42	4	KE604587	NUT FOR EASY TIMER
98*	1	114169-1	DOOR ASSY, SC5/10/10.2
99	6	23432	CLIP, MOUNTING; WIRE/CABLE

Assembly Number: KE004134-1 (HR)

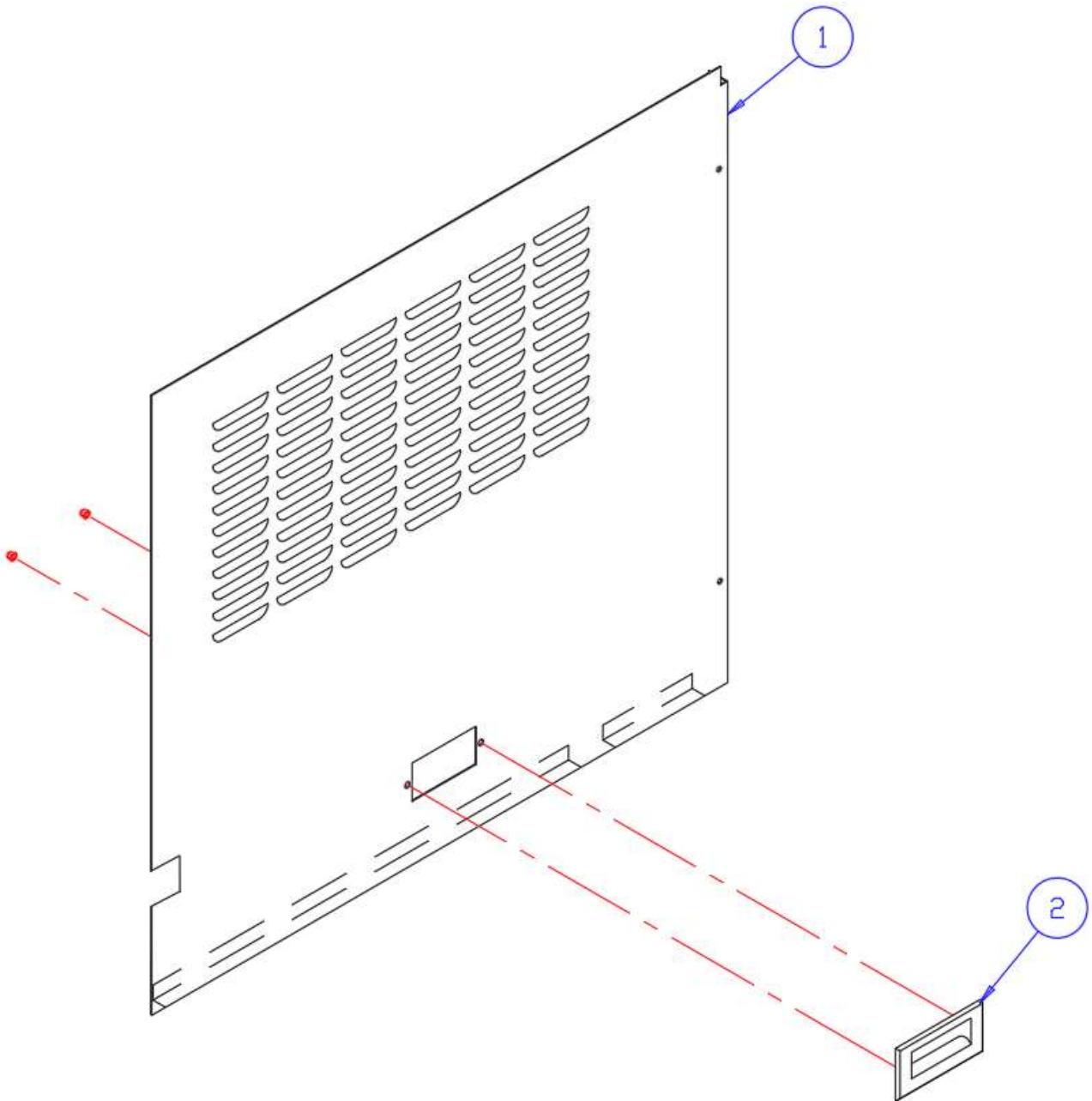
Description: Body Assembly, HR, SteamCraft 10 & 10.2, Easy Timer



Item	QTY	Part NO.	Description
2	1	69298	SCREEN; DRAIN COMPARTMENT (STAINLESS)
3	1	14677	NUT, ACORN, 1/4-20, SST (FOR DRAIN COMPARTMENT SCREEN)
4	4	14695	NUT, DOOR CATCH MOUNTING
5	1	104046	CATCH, DOOR
6	2	23149	WASHER, NYLON, TYPE 6/6
7	2	14649	NUT, HEX, 1/2-13, ZINC PLTD
8	14	23116	WASHER, FLAT, .281 ID x.625 OD x .065 THK, SST
9	8	23105	WASHER, LOCK, 1/4" KATLINK STYLE, SST
10	1	195552	SPACER, 1/4" I.D. X 1/2 O.D. X 0.688 LG.
11	4	104009	STEAM SUPPLY
12	4	104082	STEAM INJECTOR
13	4	104232	WASHER, FLAT, .640IDx.032x 1.187 OD S/S
14	4	104081	NUT, JAM 5/8-18, BRASS
15	3	05236	ELBOW, 1/4 X 90, BRASS
16	4	104048	FTG; HOSE; BARB; 1/2Hx1/4 NPT
17	1	20199	TEE, 1/4", BRASS
18	1	105786	FTG, HOSE BARB, 1/4Hx1/4MPT, 90°, BRASS
19	4	14672	NUT, HEX, 10-32, ELASTIC LOCK, ZINC PLTD
20	1	104193	INSUL., BODY, SC 5, HL/HR
21	12	14618	NUT, HEX, 1/4-20, STAINLESS STEEL
22	2	KE604471	ROUND PLUG; 9/16 OD; 1/2 HOLE
23	2	KE604468	HINGE, DOOR, BLANK
24	8	19170	SCREW, HEX HD, 1/4-20x5/8, SST
25	2	KE604469	HINGE, DOOR
26	2	104077	PIN, HINGE
27	4	104062	RING, EXT, RETAINING, SST
28	2	KE604467	HINGE, ANGLE
29	4	108644	SCREW, CARRIAGE, 1/4-20x1/2, SST (RND HEAD, SQ NECK)
30	4	KE604586	EASY TIMER SPACER
32	1	KE604151	BRACKET; STEAM CUTOFF SWITCH; 10 PAN STEAMERS
33	2	108880	SWITCH, DOOR STEAM CUTOFF
34	1	109053	SCREW, 10-24 X 0.750 SST, PHILLIPS TRUSS HEAD
35	2	14692	NUT, HEX, 10-24, ELASTIC LOCK, ZINC PLTD, FASTENER
36	1	KE004164	EASY TIMER ASSEMBLY
37	1*	FA10245	FA10245
38	1*	KE604635	1" HT SBR RUBBER BUMPER
39	1*	FA30076	#10 FLAT WASHER ZINC PLATED
40	1*	FA20504-2	8-32 KEPS NUT ZC
41	1*	KE604638	0.250" PLASTIC PUSH IN RIVET
42	4	KE604587	NUT FOR EASY TIMER
98*	1	114169-1	DOOR ASSY, SC5/10/10.2
99	6	23432	CLIP, MOUNTING; WIRE/CABLE

Assembly Number: 107273

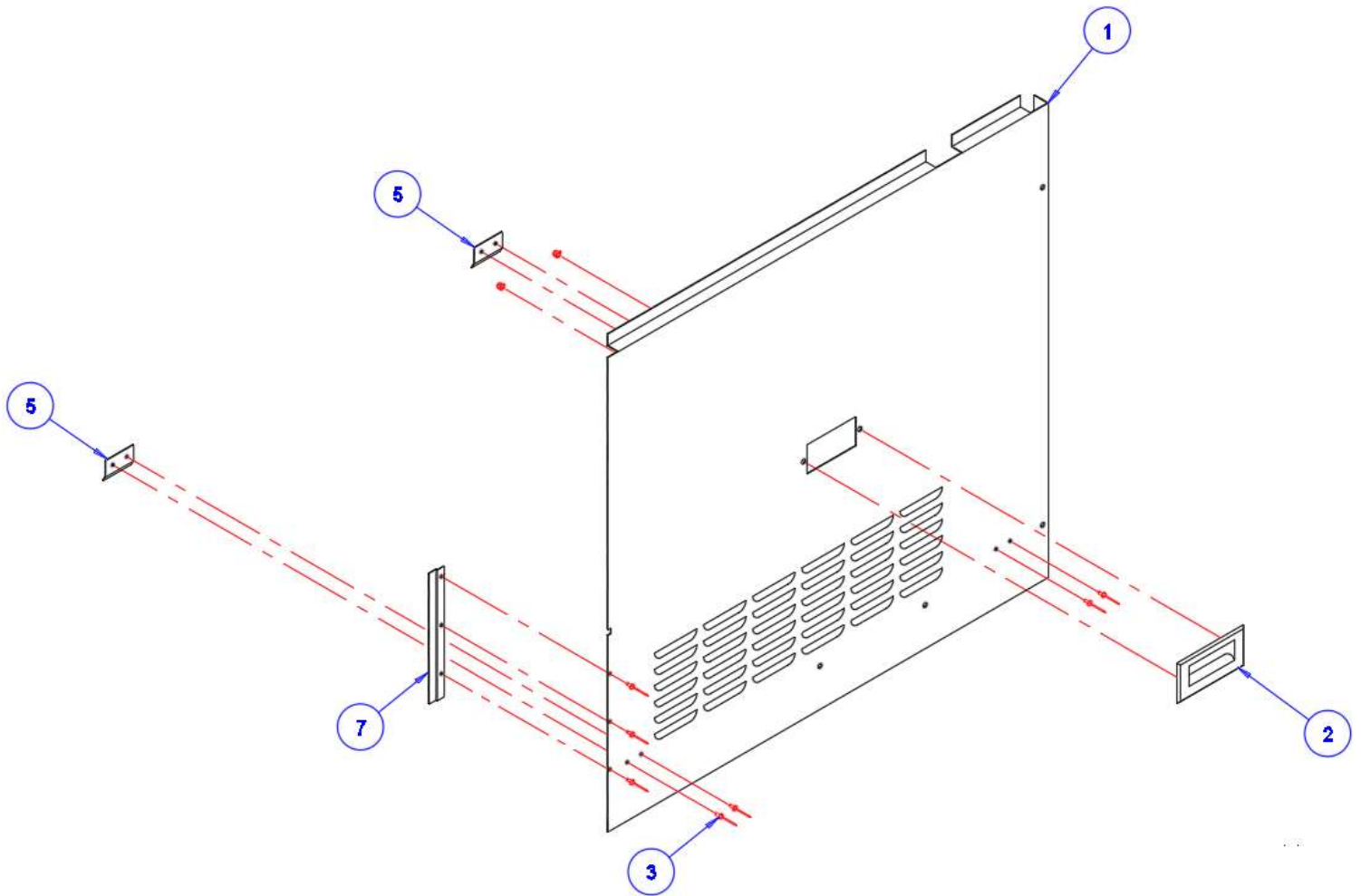
Description: Panel Assembly, Right Side, Top Half, SteamCraft 10



Item	QTY	Part No.	Description
1	1	107121	PANEL, SIDE, RIGHT, TOP HALF
2	1	08108	HANDLE, DOOR, LIFTOFF, SST, W/#10 NUTS

Assembly Number: 107272

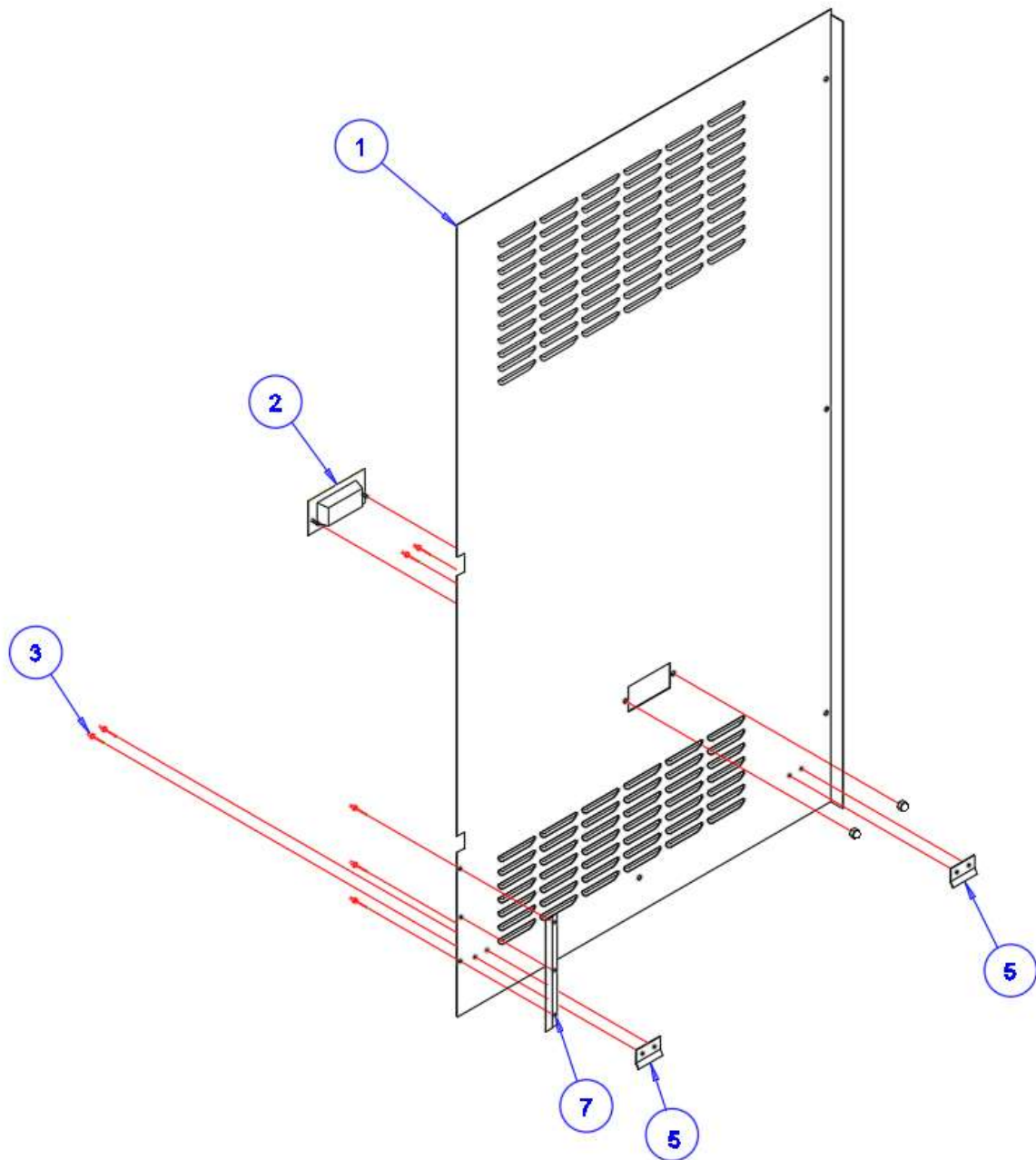
Description: Panel Assembly, Right Side, Bottom Half, SteamCraft 10



Item	QTY	Part No.	Description
1	1	1071201	PANEL, R.S.-WELD, BTM. HALF
2	1	08108	HANDLE, DOOR, W/OPEN END ACORN NUTS
3	7	18357	RIVET, FLUSH, 1/8 SST
5	2	106045	BRACKET, SIDE SUPPORT, SHORT
7	1	1061431	BRACKET, RETAINER

Assembly Number: 106043

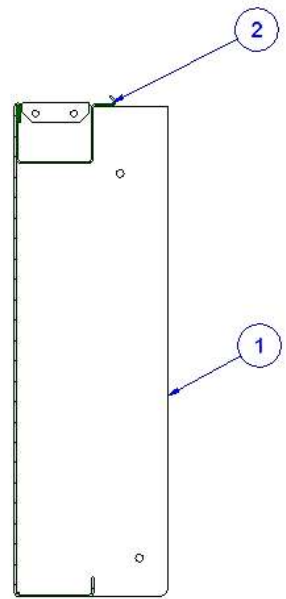
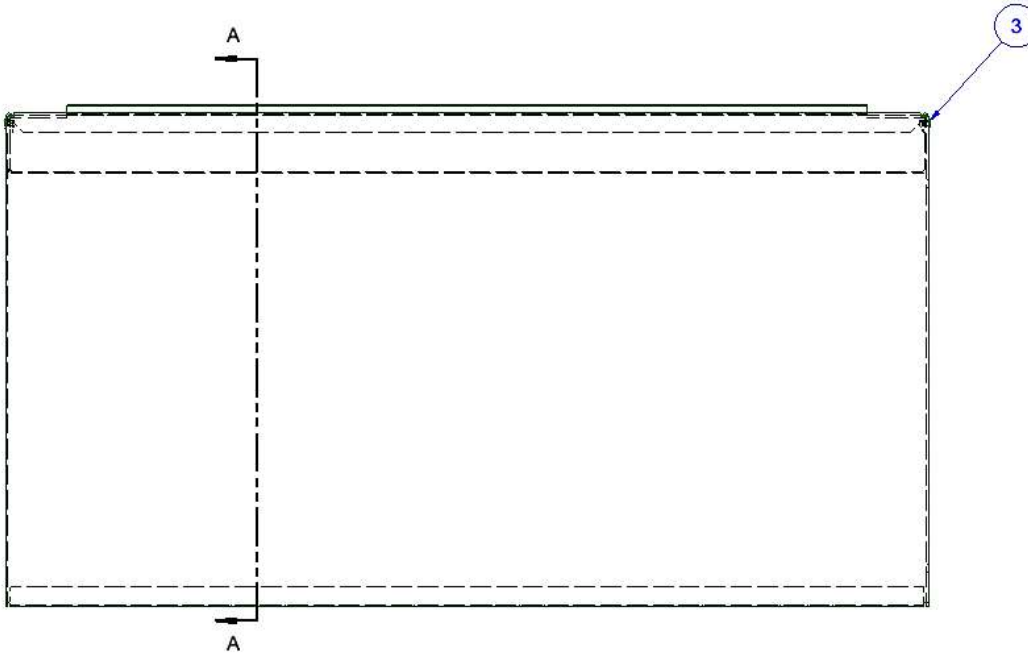
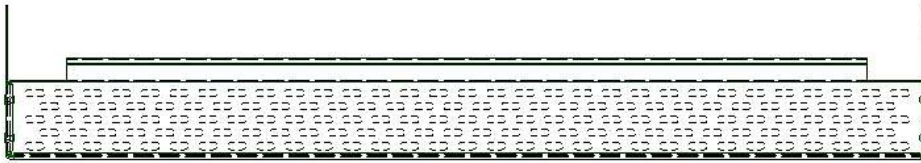
Description: Panel Assembly, Left Side, SteamCraft 10



Item	QTY	Part No.	Description
1	1	105669	PANEL, SIDE, LEFT, S/C 6 & 10
2	1	08108	HANDLE, DOOR, W/ACORN NUTS
3	7	18357	RIVET, FLUSH, 1/8, SST
5	2	106045	BRACKET, SIDE SUPPORT, SHORT
7	1	1061431	BRACKET, RETAINER

Assembly Number: KE004182

Description: Panel Assembly, Lower Front

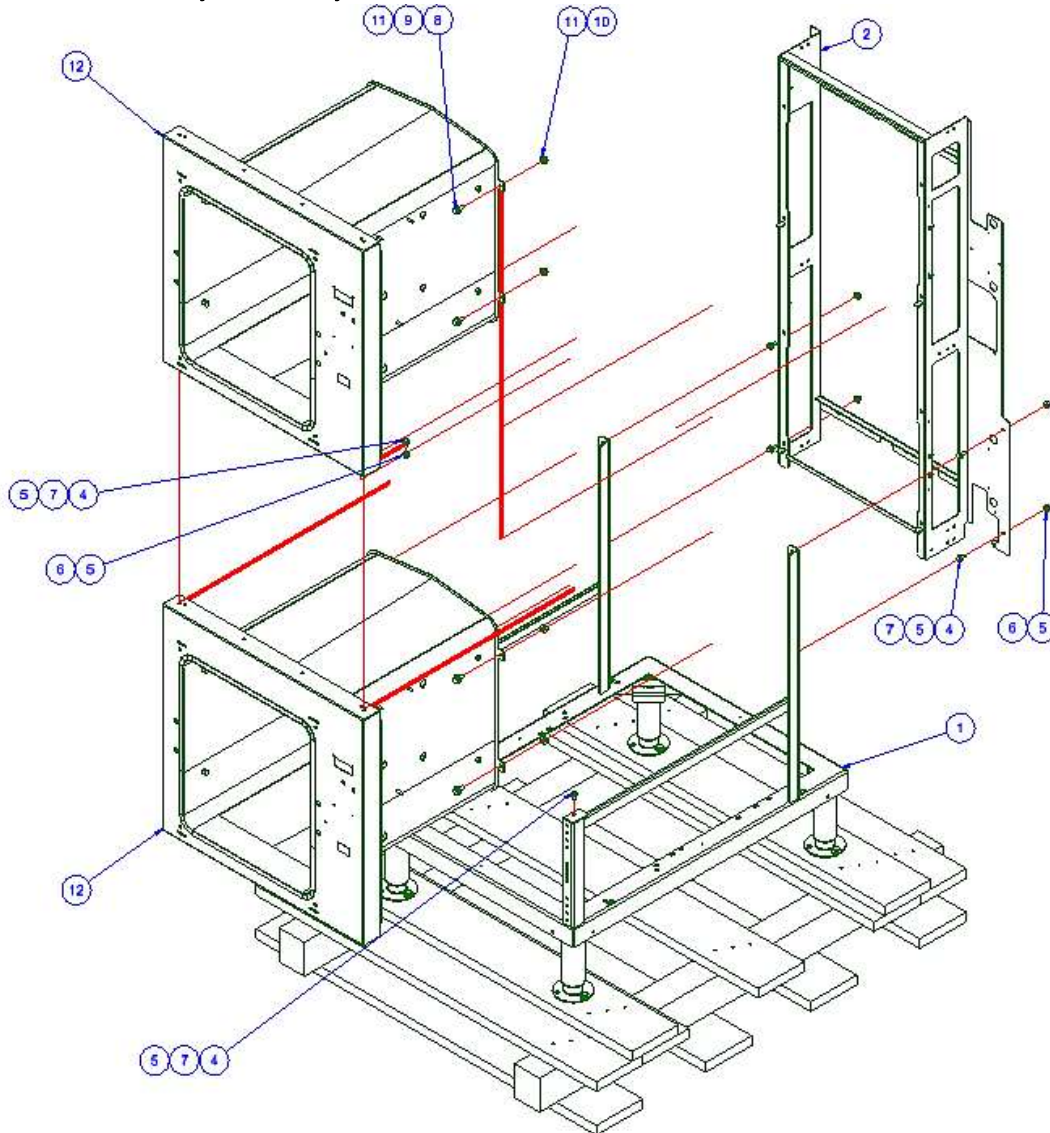


SECTION A-A
SCALE 1/3

Item	QTY	Part No.	Description
1	1	11000115794	PANEL, LOWER FRONT, SC10
2	1	KE604575	TRAY, DRIP, SC 10, 2 IN WIDE
3	4	18357	RIVET, FLUSH BREAK, 0.125 DIA, 0.126/0.187 GRIP, SST

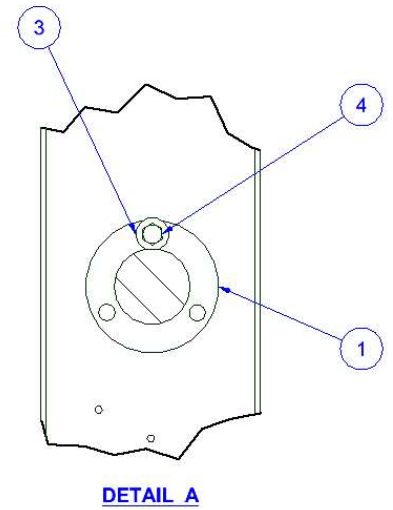
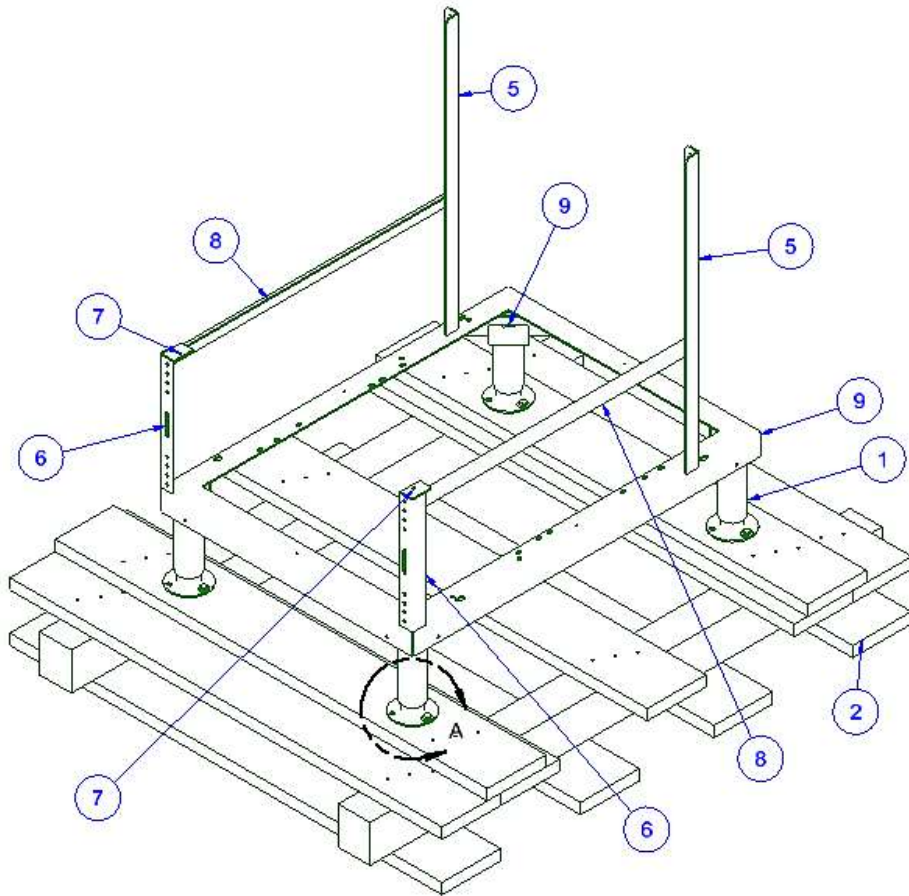
Assembly Number: KE004138-1

Description: SteamCraft Cavity Assembly



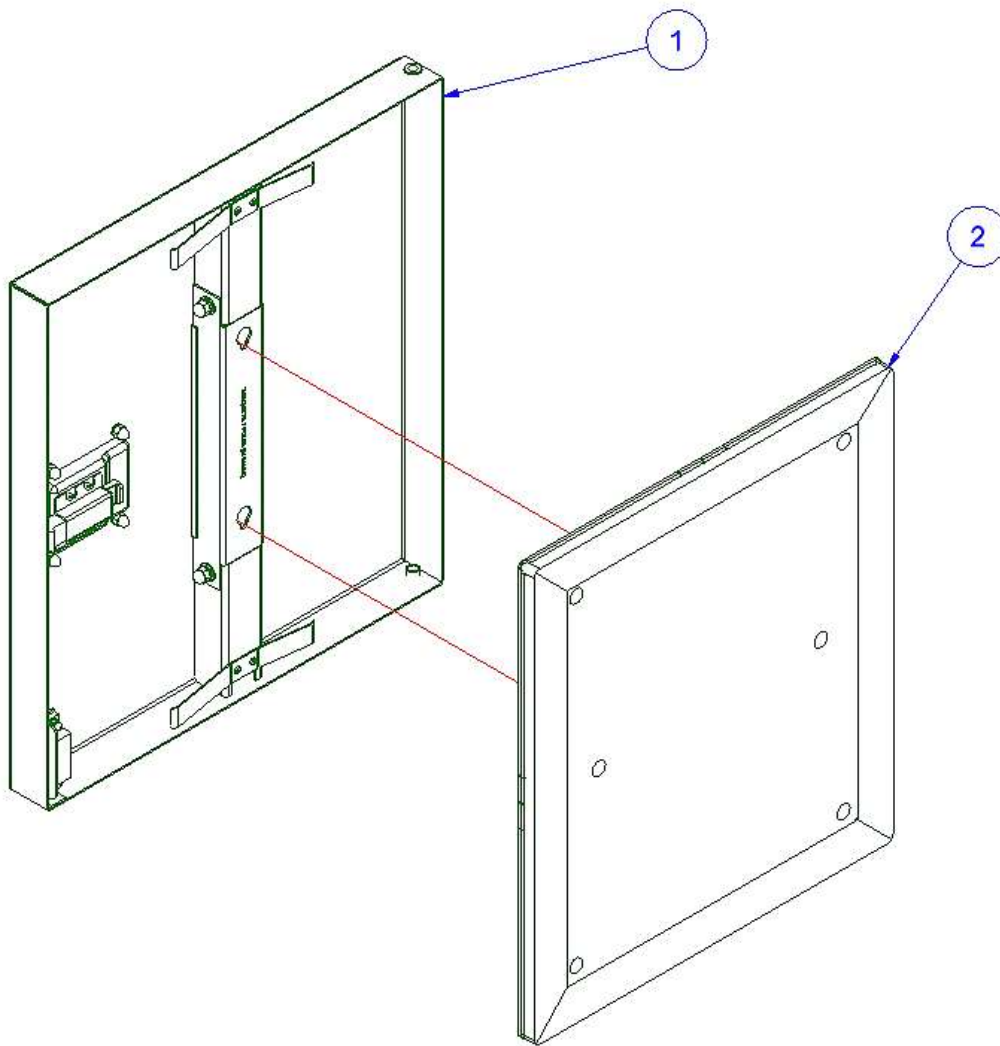
Item	QTY	Part NO.	Description
1	1	KE004137	BASE WELDMENT ASSEMBLY
2	1	KE004136	CAVITY, BACK, WELD ASSEMBLY
4	8	19170	SCREW, HEX HD, 1/4-20x5/8, SST
5	14	23116	WASHER, FLAT, .281 ID x.625 OD x .065 THK, SST
6	6	14618	NUT, HEX, 1/4-20, STAINLESS STEEL
7	8	23105	WASHER, LOCK, 1/4" KATLINK STYLE, SST
8	8	19228	SCREW, 5/16-18 X 0.750, HEX HD, SST
9	8	23106	WASHER, 5/16 LOCK SPLIT RING, MEDIUM, SST
10	8	14652	NUT, HEX, 5/16-18, SST
11	16	23134	WASHER, FLAT, 5/16 ID 3/4 OD 1/16 THK., ZINK PLTD
12	2	KE004135-1	CAVITY WELDT ASSY; EASYTIMER; HL

Assembly Number: KE004137
Description: Base Weldment Assembly



Item	QTY	Part NO.	Description
1	4	06162	FOOT, 6.00" ADJUSTABLE, FLANGED/TRI-BOLT HOLE PATTERN
2	1	41915	PALLET, SHIPPING, 1050MM BASE
3	4	23136	WASHER, FLAT, 3/8"ID, 7/8"OD, 1/16"THK, SST
4	4	108203	SCREW; HEX HD LAG; ZINC PLTD; 5/16 X 1-1/4
5	2	KE604483	LEG, REAR
6	2	KE604484	LEG, FRONT
7	2	KE604485	FRONT BRACE
8	2	KE604486	SIDE BRACE
9	1	KE004140	FRAME ASS'Y LOWER SUPPORT

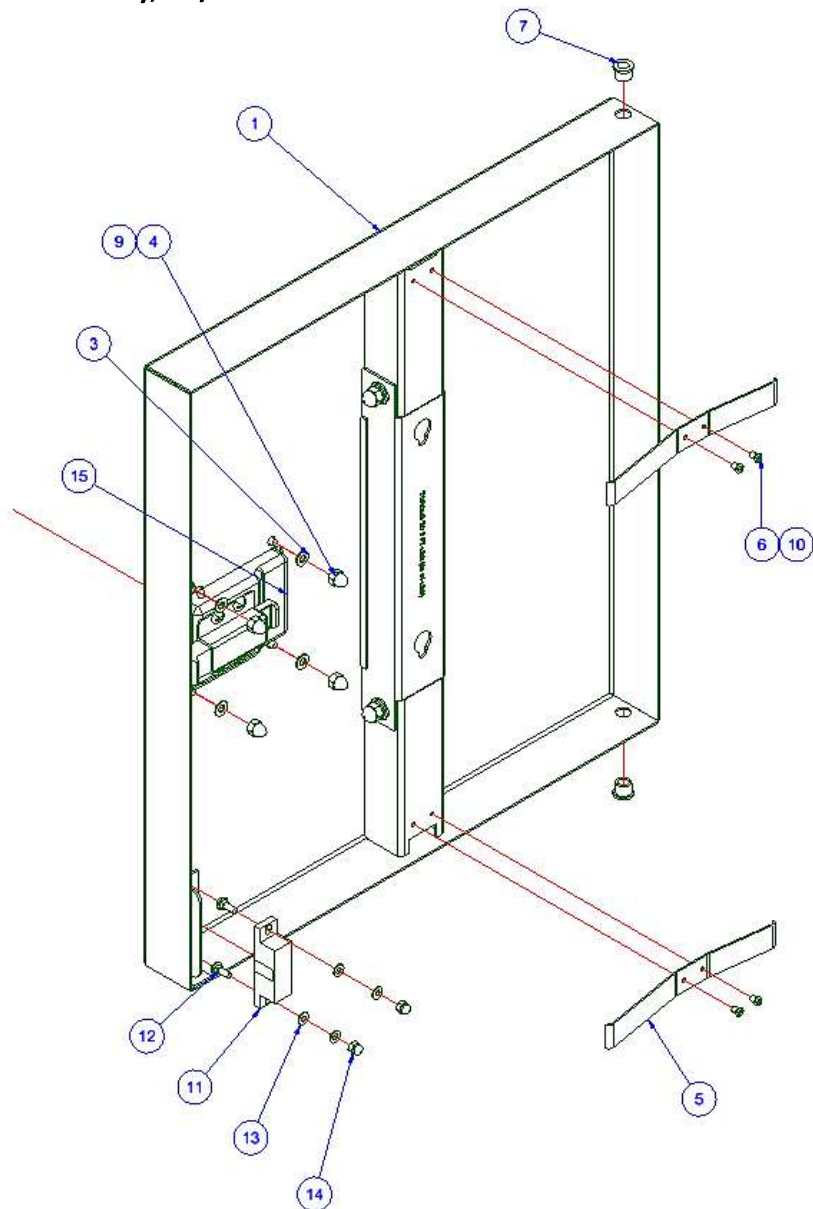
Assembly Number: 114169-1
Description: Door Assembly



Item	QTY	Part NO.	Description
1	1	114173-1	DOOR, OUTER ASSEMBLY, HL/HR SC5/10/10.2
2	1	104202	DOOR, ASSY, INNER, SC5.1

Assembly Number: 114173-1

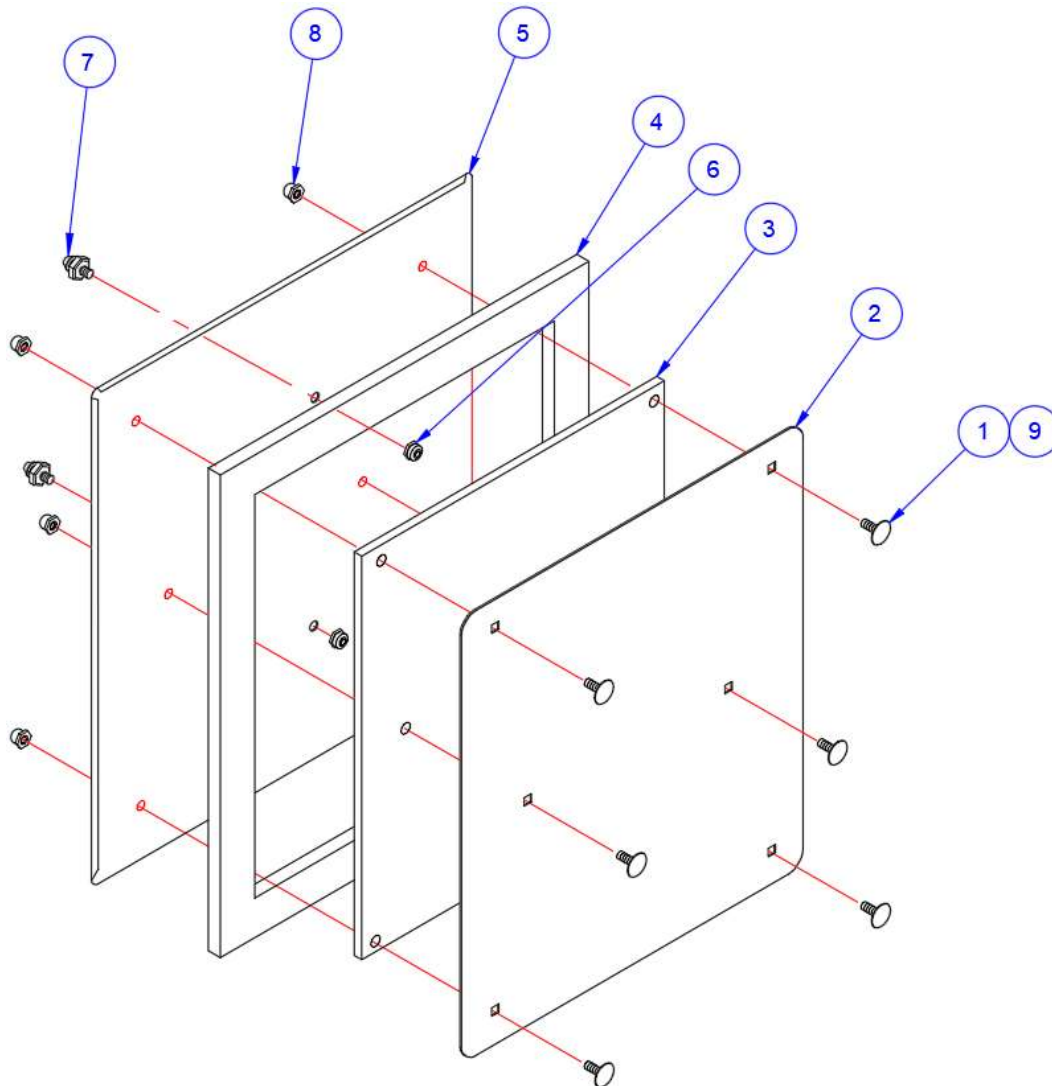
Description: Outer Door Assembly, HL/HR



Item	QTY	Part NO.	Description
1	1	114175-1	DOOR, OUTER, WELD, HL/HR
3	4	101655	WASHER, FLAT, #10, SST
4	4	11000115589	NUT, #10-24, HIGH CROWN ACORN, SST
5	2	102228	SPRING, DOOR, 3/5 PAN
6	4	18357	RIVET, FLUSH BREAK, 0.125 DIA, 0.126/0.187 GRIP, SST
7	2	103641	BUSHING, DOOR HINGE
9	A/R	104146	LOCKTITE #222 LOW STRENGTH
10	A/R	00933	SEALANT, RTV, CLEAR
11	1	108879	MAGNET, DOOR STEAM CUTOFF
12	2	111592	SCREW, 8-32 X 1/2 CARRIAGE HEAD, SST
13	4	101336	WASHER, FLAT, #8, SST
14	2	109164	NUT, HEX, ACORN, 8-32, SST, W/ THREAD LOC
15	1	103643	LATCH, DOOR-PADDLE TYPE

Assembly Number: 104202

Description: Inner Door Assembly



Item	QTY	P/N	Description
1	6	104719	SCREW, CARRIAGE, 1/4-20X1, SST
2	1	104021	PLATE, GASKET RETAINER
3	1	104022	PLATE, INNER GASKET RETAINER
4	1	104026	GASKET, DOOR S/C 5.1
5	1	104023	DOOR, INNER PLATE SC 5.1
6	2	14665	NUT, HEX, 1/4-20 LOCK, SST (NYLON INSERT)
7	2	66508	PIN, GUIDE, INNER DOOR
8	6	146771	NUT, ACORN, THRD LOCK, 1/4-20, SST
9	A/R	00933	SEALANT, DOW CORNING 732

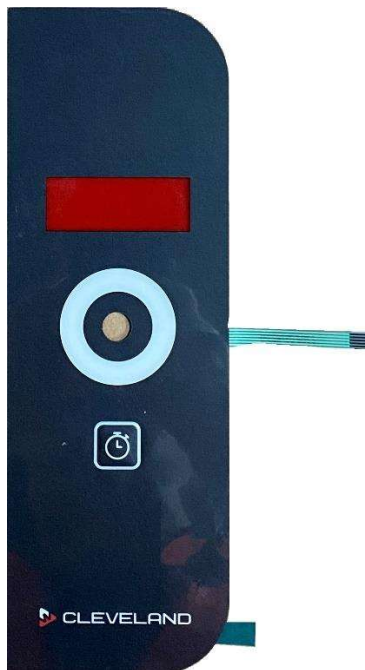
Assembly Number: KE004164
Description: EasyTimer Assembly



KE604176 EasyTimer Control/Timer Knob



KE604517 EasyTimer PCB

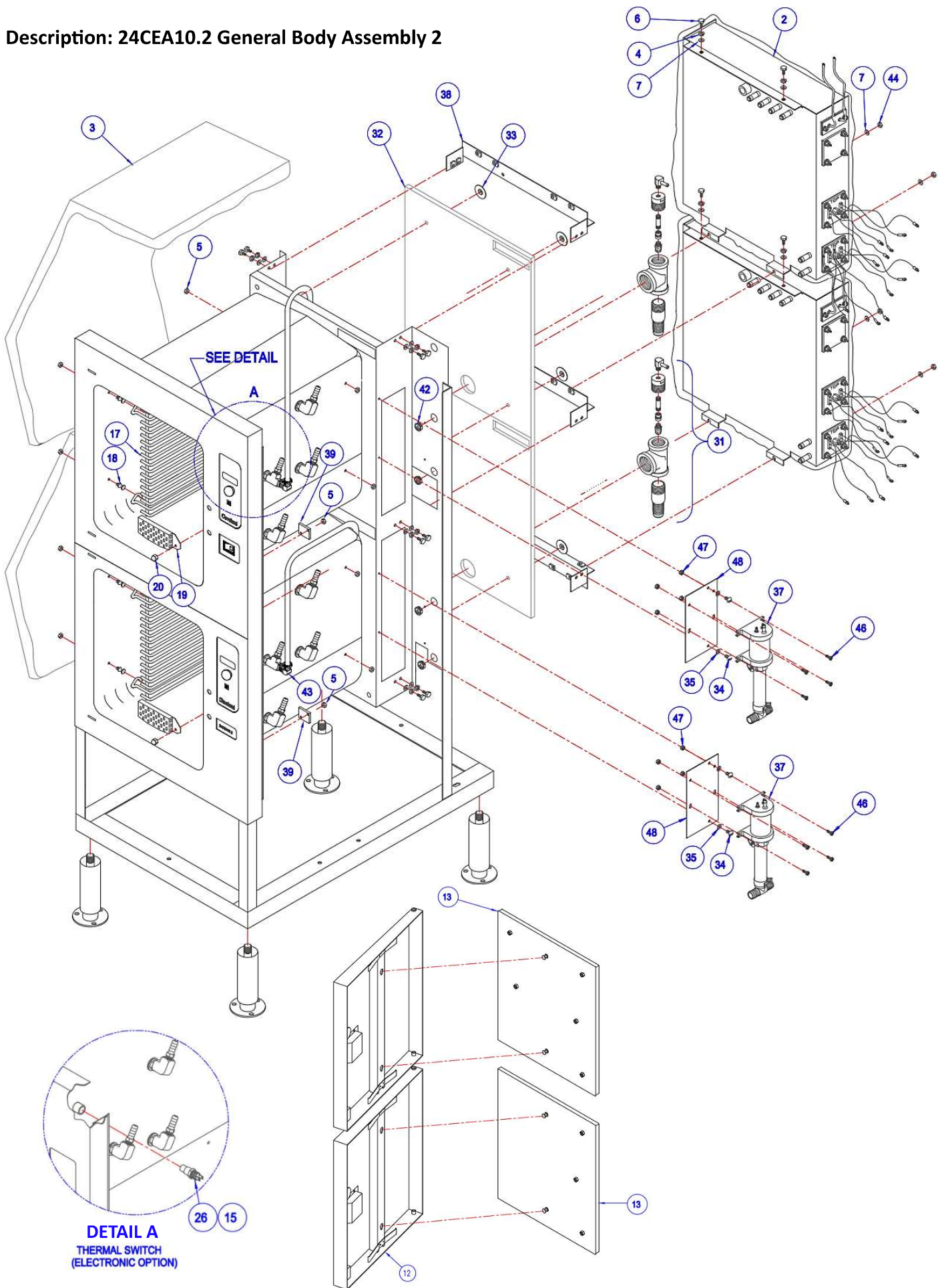


KE604518 EasyTimer Overlay



KE604710 EasyTimer Plastic Insert

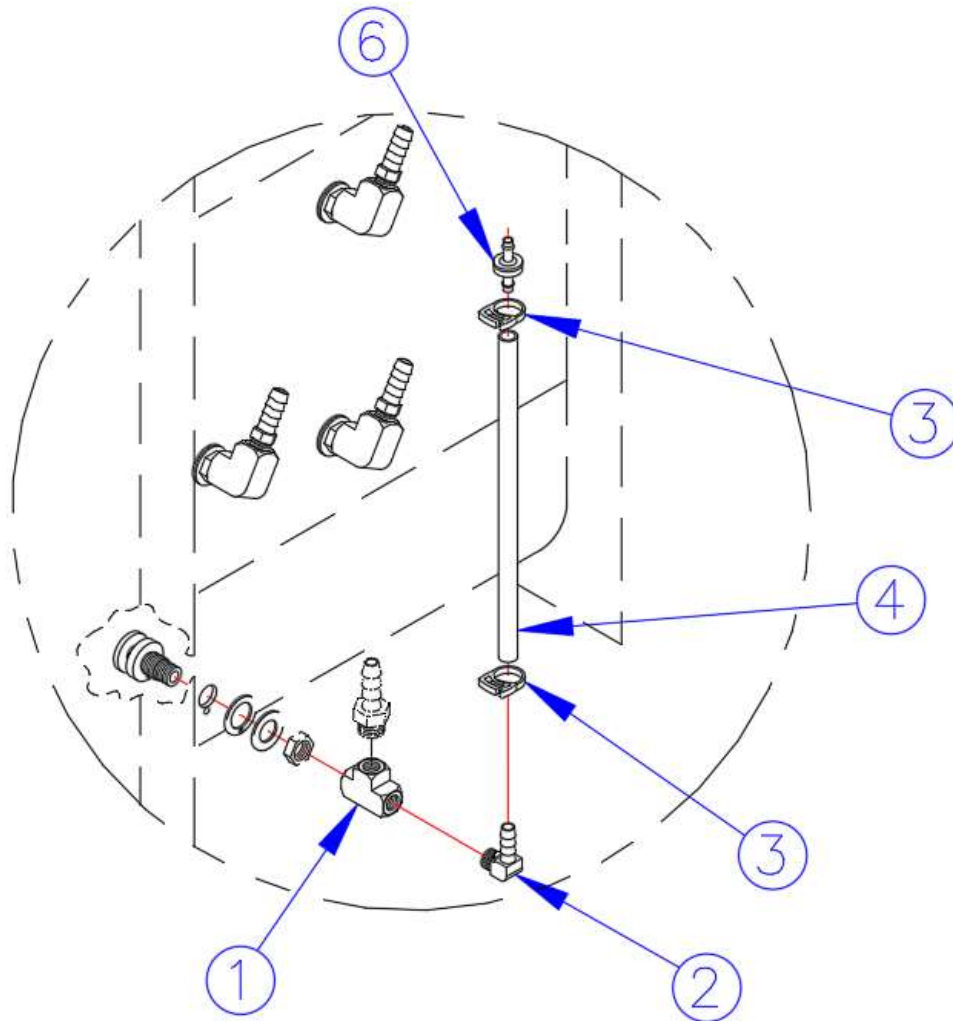
Description: 24CEA10.2 General Body Assembly 2



Item	QTY	P/N	Description
2	2	104195	GENERATOR WELD ASSEMBLY STEAMCRAFT ULTRA 5 & 10, LEFT HINGE
3	2	104193	INSULATION, BODY, CUT
4	22	23105	WASHER, LOCK SST 1/4 KATLINK STYLE
5	18	14618	NUT, HEX 1/4-20 SST
6	20	19170	SCREW, HEX HD. 1/4-20 X 5/8 SST
7	32	23116	WASHER, FLAT 1/4 ID X 5/8 OD, SST
8	4	104077	PIN, HINGE
12	1	114173-1	DOOR, OUTER ASSEMBLY, HL/HR SC5/10/10.2
13	2	104202	DOOR, INNER ASSY, HL
15	A/R	00934	SEALANT, PIPE DOPE
17	4	414232	RACK, PAN SLIDE, 18
18	16	101305	PIN, RACK
19	2	69298	SCREEN, COMPARTMENT DRAIN, POLYPROP
20	2	14677	NUT, ACORN
26	2	19972	SWITCH, THERMAL CLOSE
27	2	104409	CLOSURE, THERMAL OPENING
31	2	1061712	DRAIN ASSEMBLY, SC 10
32	2	KE604578-1	INSULATION, REAR WALL
33	10	101953	CLIP, INSULATION RETAINER
34	4	106123	SCREW, TORX/SLOT 10-32 X 1/2
35	4	101655	WASHER, FLAT #10 SST
37	2	106539	PROBE & DESCALER ASSY, SC 10
38	3	108735	ANGLE, GENERATOR, SUPPORT
39	-	KE003930	ASSEMBLY, DOOR STEAM CUTOFF SWITCH, 10 PAN STEAMERS
42	4	02600	BUSHING, HEYCO
43	2	1070591	BREATHER/SPRAY NOZZLE ASSY. (1/2 HOSE)
44	4	14692	NUT, HEX 10-24 ELASTIC LOCK
46	8	19170	SCREW, HEX HD, #1/4-20 x 5/8 LG.
47	14	14665	NUT, HEX#1/4-20, ELASTIC LOCK
48	2	107500	PLATE, MOUNTING, PROBE ASSEMBLY

Assembly Number: 1070591

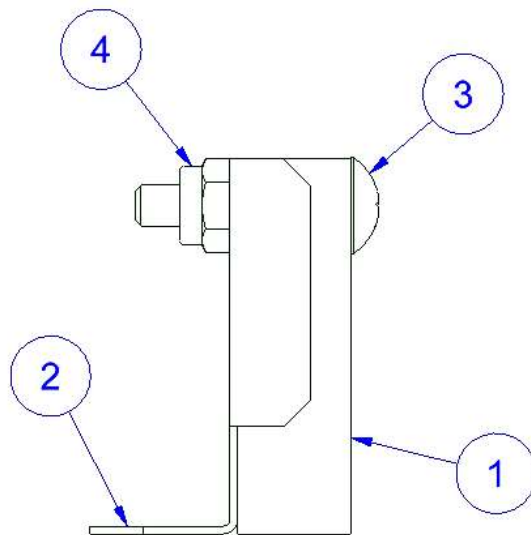
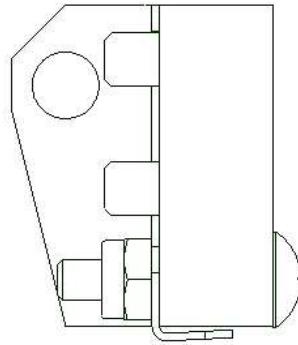
Description: Breather/Spray Nozzle Assembly



Item	QTY	Part NO.	Description
1	1	20199	TEE, 1/4, BRASS
2	1	105786	FITTING, HOSE BARB, 1/4 H x 1/4 MPT 90°
3	2	104383	CLAMP, HOSE, NYLON
4	1	1043792600	HOSE, SILICONE, 1/4 x 26.000
5	1	20451	TIE, NYLON CABLE
6	1	107032	CHECK VALVE, PLASTIC DIAPHRAGM

Assembly Number: KE003930

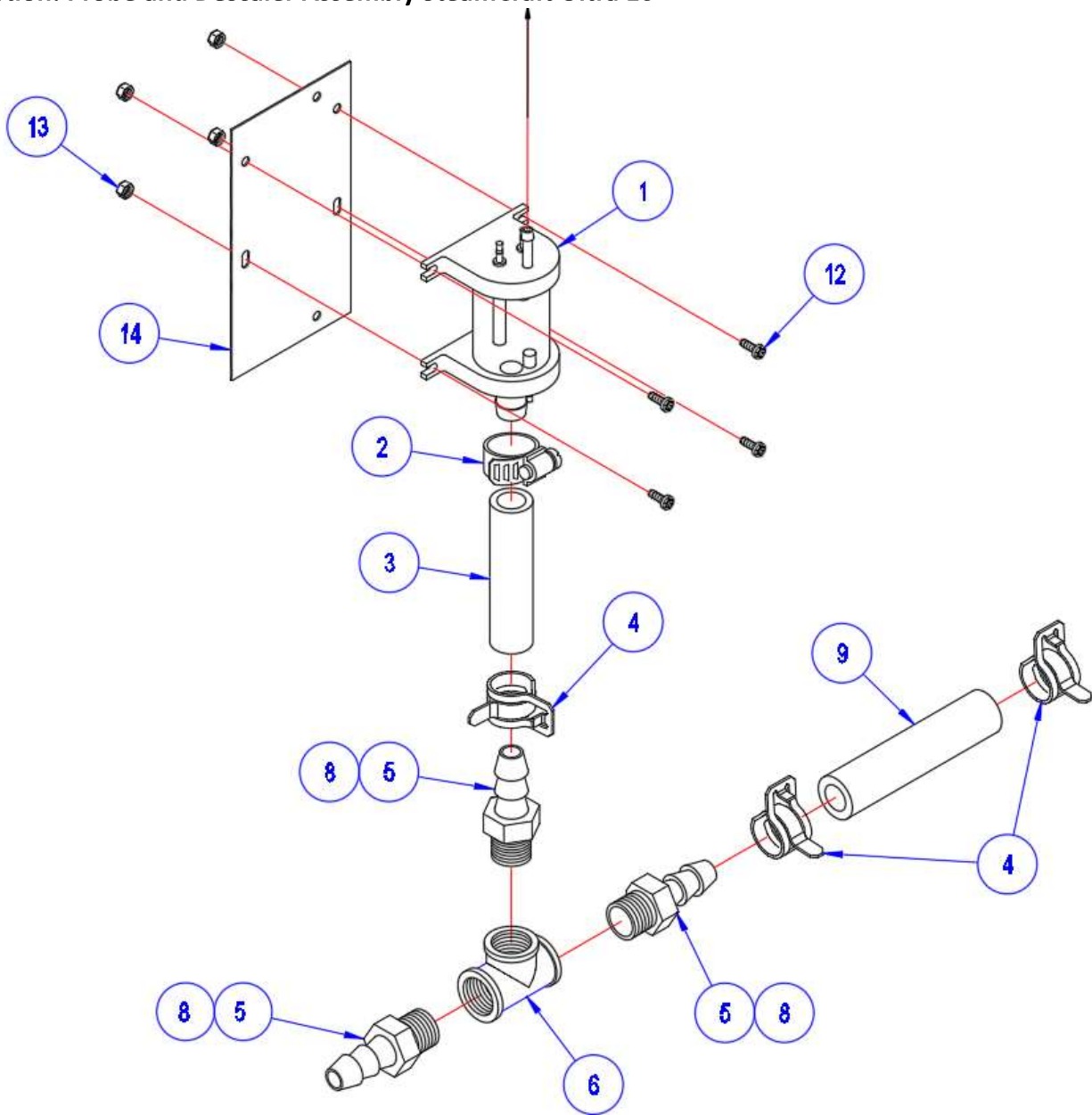
Description: Door Steam Cutoff Switch Assembly



Item	QTY	Part NO.	Description
1	1	104616	SWITCH, DOOR STEAM CUTOFF
2	1	KE604151	BRACKET; STEAM CUTOFF SWITCH; 10 PAN STEAMERS
3	1	KE604172	SCREW, 10-24 X 1.00 SST, PHILLIPS TRUSS HEAD
4	1	104616	NUT, HEX, LOCK, 10-24, SST, NYLON INSERT

Assembly Number: 106539

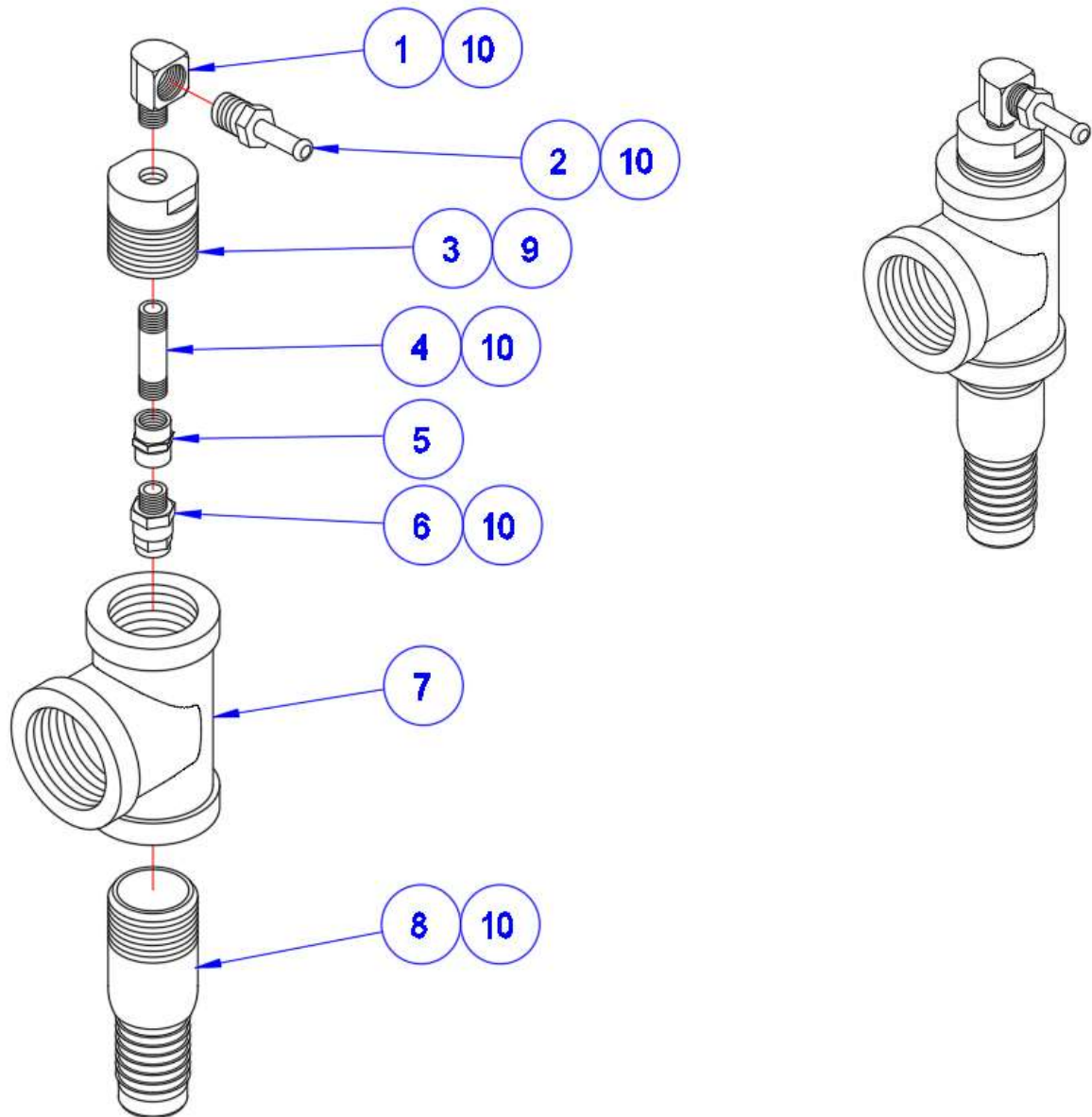
Description: Probe and Descaler Assembly SteamCraft Ultra 10



Item	QTY	Part NO.	Description
1	1	107239	HOUSING, PROBE, WATER LEVEL CONTROL
2	1	03204	CLAMP, HOSE, WORM DRIVE, 0.812 TO 1.500 DIA
3	1	085110500	HOSE, EPDM, 3/4 ID X 5.000 LG
4	1	107312	CLAMP, HOSE, TENSION, 1-1/8 OD HOSE
5	3	06240	FITTING, HOSE BARB, 3/4 T X 3/4
6	1	20206	TEE, 3/4, BRASS
8	A/R	00934	SEALANT, PIPE DOPE
9	-	085110550	HOSE, EPDM, 3/4 ID X 5-1/2 LG
12	-	19170	SCREW, 1/4-20 X 5/8 LG
13	-	14665	NUT, HEX, 1/4-20, ELASTIC LOCK
14	-	107500	PLATE, MOUNTING, PROBE ASSY

Assembly Number: 1061712

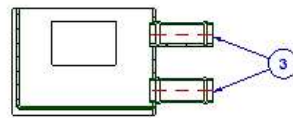
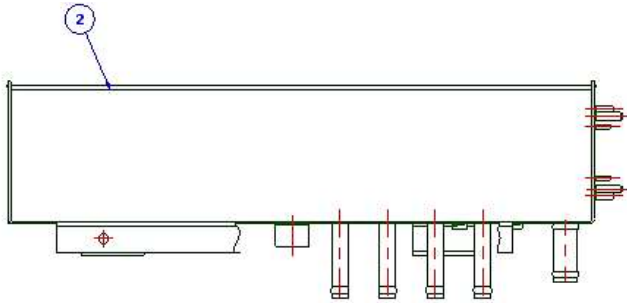
Description: Drain Assembly SteamCraft 10



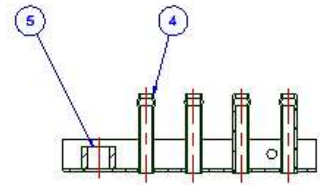
Item	QTY	Part NO.	Description
1	1	110779	ELBOW, 90°, 1/8 MPT x 1/4 FPT, BRASS
2	1	109866	FITTING, HOSE BARB, RADIUS TIP, 1/4 HOSE
3	1	06230	FITTING, COMPARTMENT DRAIN
4	1	14297	NIPPLE, 1/8 X 1-1/2, BRASS
5	1	104838	COUPLING, FULL 1/8, BRASS
6	1	14555	NOZZLE, SPRAY, 1/8 FULL JET
7	1	105783	TEE, 1 X 1 X 1-1/4, BLACK
8	1	14481	FITTING, HOSE 1 INCH X 1-11 1/2 MPT
9	A/R	00946	TAPE TEFLON 1/2"
10	A/R	00934	SEALANT, PIPE DOPE, ONE PINT CAN

Assembly Number: 104195

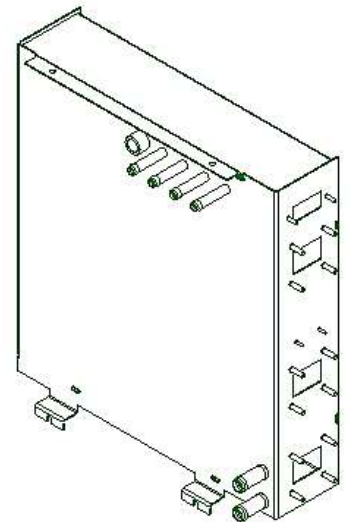
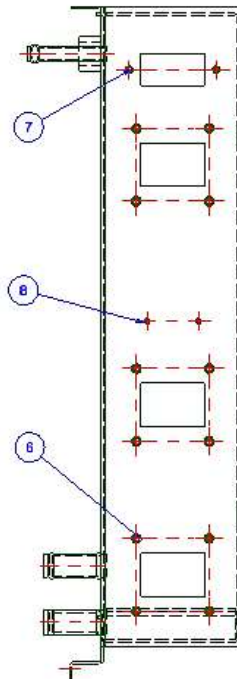
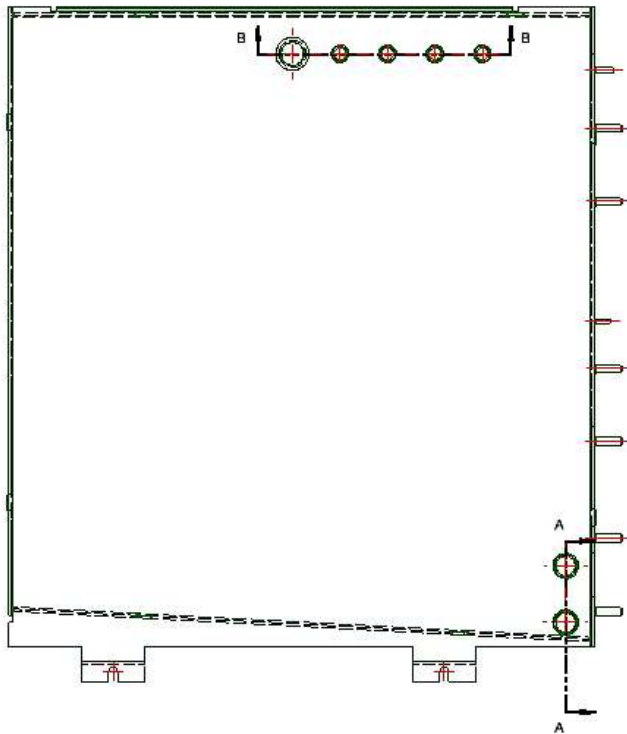
Description: Generator Weld Assembly SteamCraft Ultra 10, Left Hinge



SECTION A-A

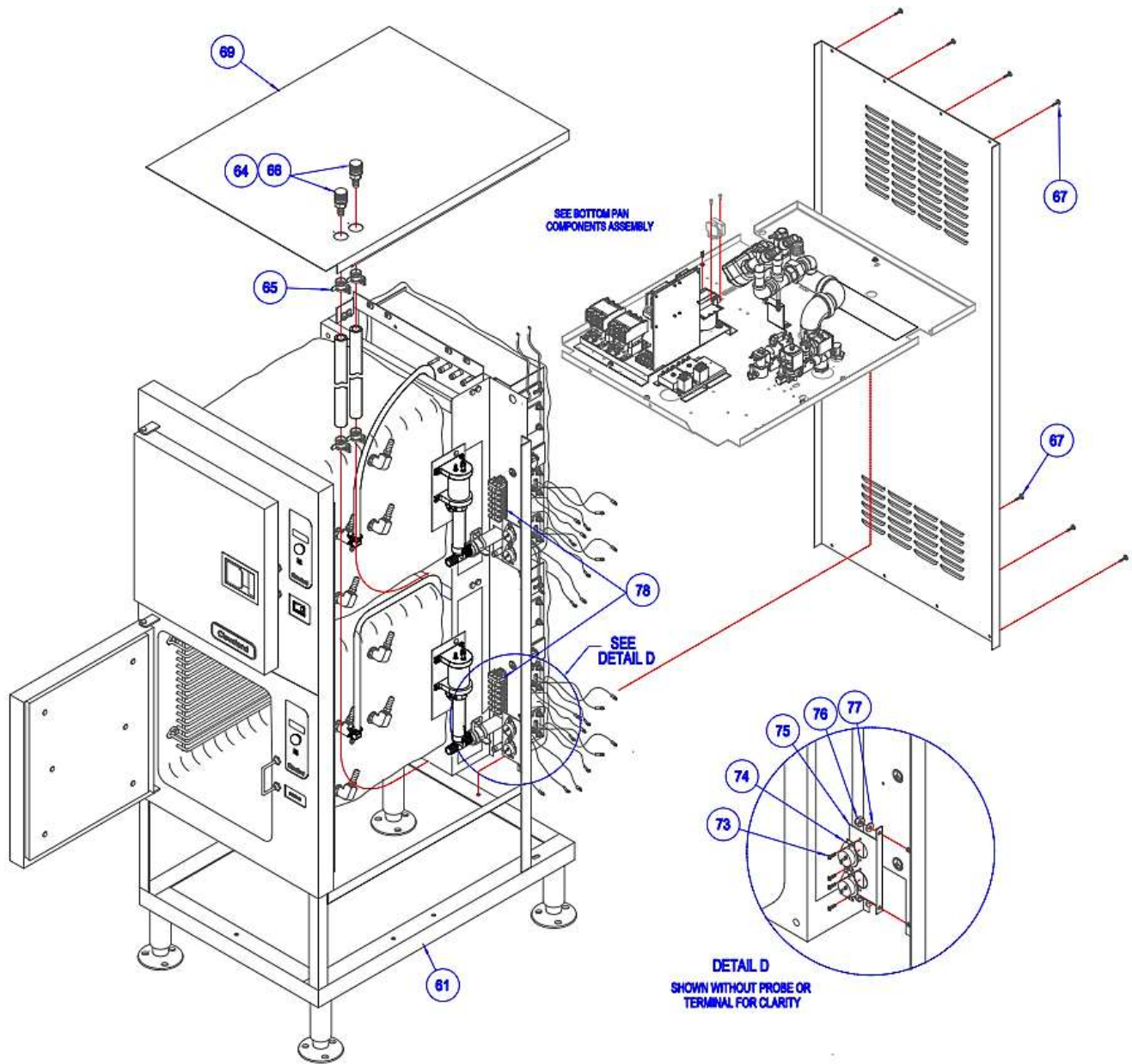


SECTION B-B



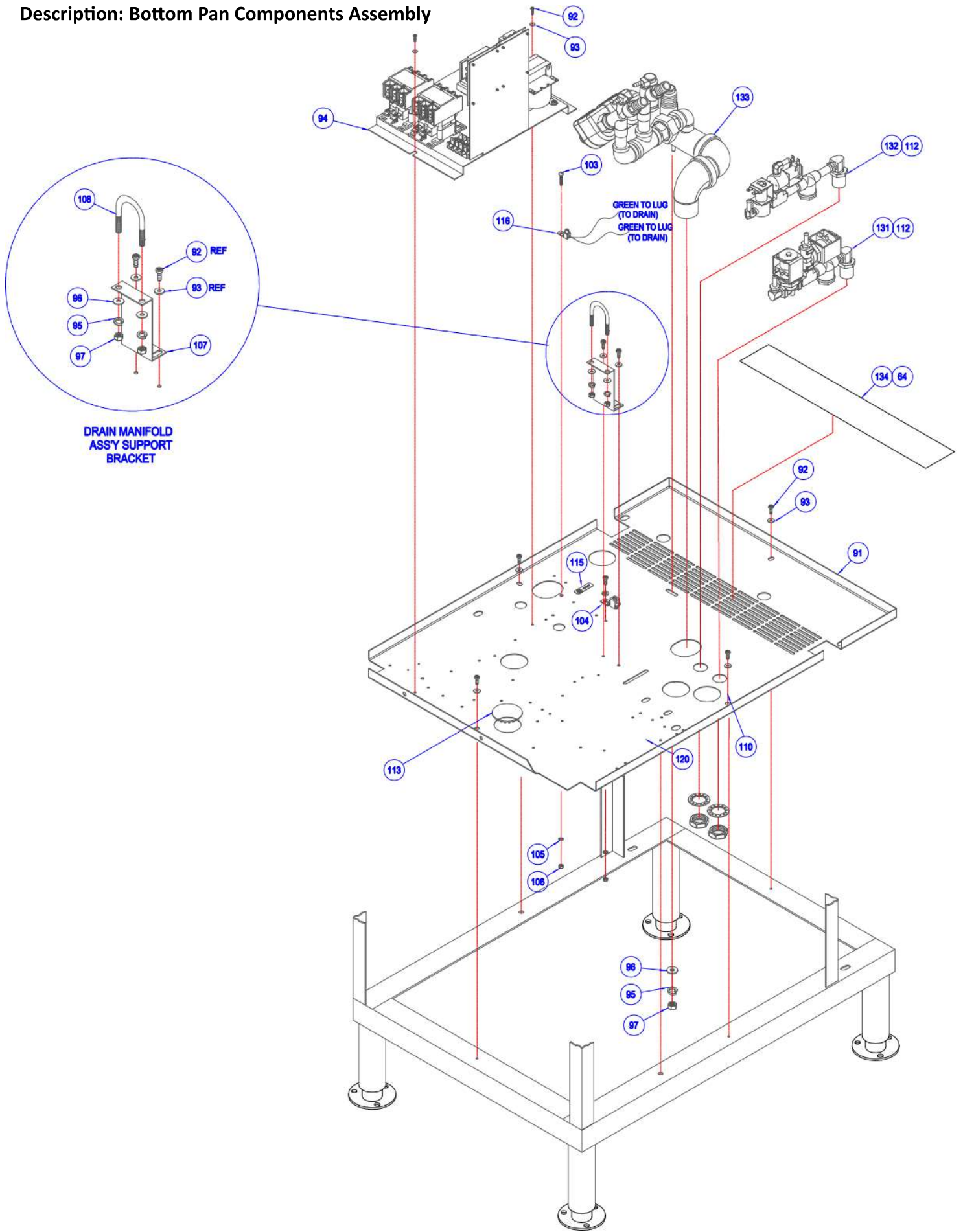
Item	QTY	Part NO.	Description
1	1	104014	GENERATOR FRONT, STEAMCRAFT ULTRA 5 AND 10, H.L.
2	1	104015	GENERATOR BACK, STEAMCRAFT ULTRA 5 AND 10, H.L.
3	2	104593	FITTING, 3/4" HOSE BARB, SST
4	4	104594	FITTING, HOSE BARB 1/2 SST TUBE STYLE
5	1	03620	COUPLING, HALF, 1/2", 304 SST
6	12	19919	STUD, WELD, STYLE F, 1/4-20 X 7/8, 304 SST, CD
7	2	19927	STUD, WELD, 10-24 X 0.625, 300 SERIES SST, CD
8	2	19928	STUD, WELD, #6-32 X 0.500 LG., SST

Description: 24CEA10.2 General Body Assembly 3



Item	QTY	Part NO.	Description
61	-	---	CAVITY ASSEMBLY WITH DOORS, SC 10
64	A/R	00933	SEALANT, RTV
65	-	107312	CLAMP, TENSION 1-1/8 OD HOSE
66	2	109641	PORT ASSEMBLY, DESCALER
67	8	104080	SCREW, TRUSS HD. SHT. MET. #8 X 1/2
69	1	105681	PANEL, TOP, SC 10 ELECTRIC
73	8	106127	SCREW, TORX-SLOT PAN HD. 6-32 X 1/2
74	4	103731	SWITCH, HIGH LIMIT
75	2	105757	BRACKET, HIGH LIMIT MOUNT
76	4	14665	NUT, HEX 1/4-20 ELASTIC LOCK
77	4	23116	WASHER, FLAT 1/4 X 5/8, SST
78	2	101540	TERMINAL BLOCK ASSEMBLY

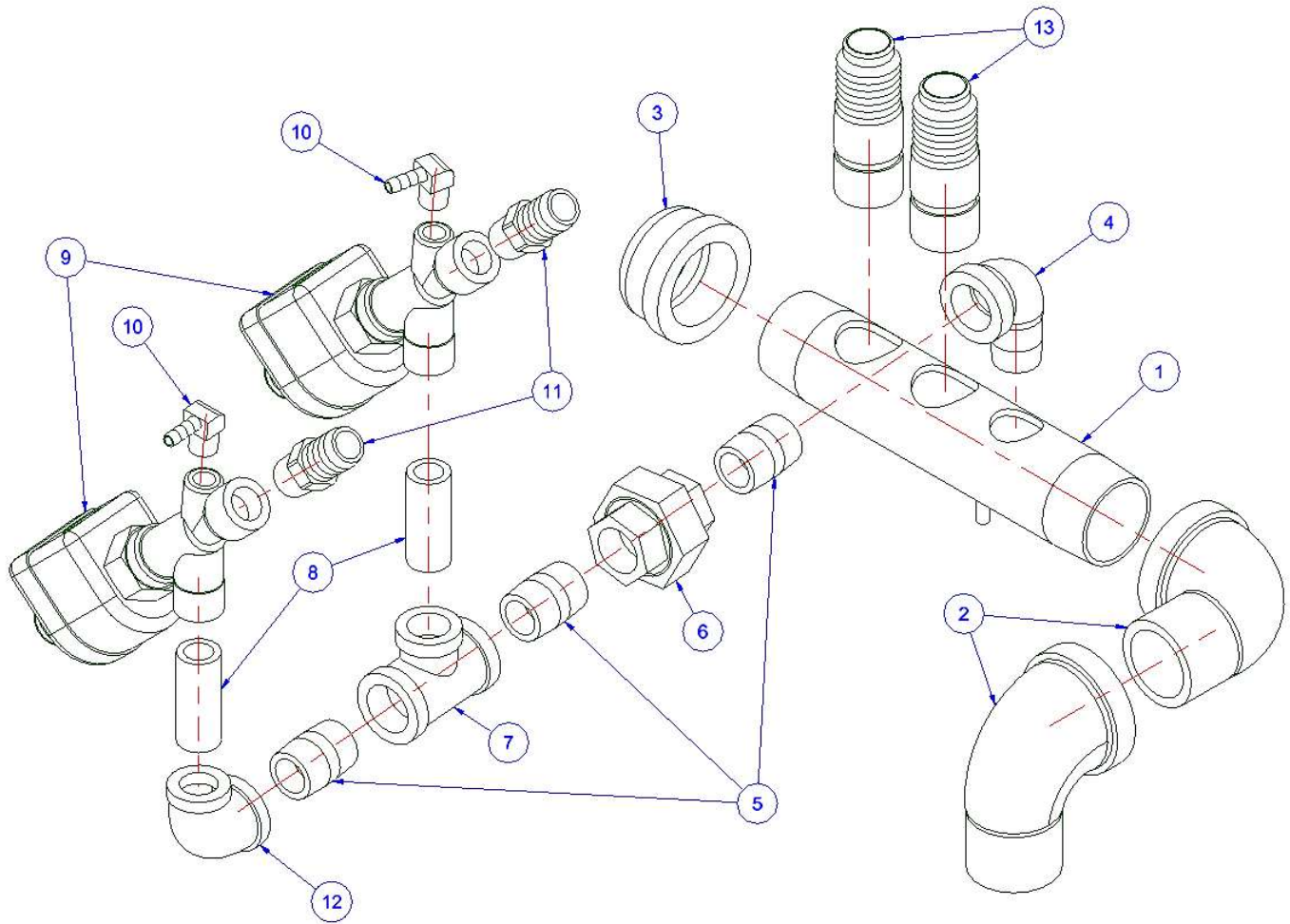
Description: Bottom Pan Components Assembly



Item	QTY	Part NO.	Description
91	1	105667	PAN, BOTTOM, STEAMCRAFT 10
92	16	106123	SCREW, TOTX/SLOT 10-32 X 1/2 ZN PLTD
93	16	101655	WASHER, FLAT #10, SST
94	1	KE004274	ELECTRIC GENERATOR CTRL PNL ASSY,208-240V,480V
95	2	23105	WASHER, SPLIT LOCK, 1/4, SST
96	2	23116	WASHER, FLAT, 1/4, SST
97	2	14618	NUT, HEX, 1/4-20, SST
103	2	101231	SCREW, 10-24 X 1/2, SST, PHILLIPS TRUSS HD
104	1	12331	LUG, GROUND, SOLDERLESS
105	2	23114	WASHER, LOCK, INT. TOOTH #10, SST
106	2	14659	NUT, HEX, #10-24, SST
107	1	105969	BRACKET, DRAIN SUPPORT, SC10 ELEC.
108	1	105970	"U" BOLT, 3/4 PIPE
110	3	23432	CLIP, MOUNTING, WIRE/CABLE 1.250 X 1.500
112	A/R	00934	SEALANT, PIPE DOPE
113	4	107063	PLUG, SNAP, STEEL, FOR 2 DIA. HOLE
116	1	20304	LUG, GROUND
131	1	KE003966	WATER FILL VALVE ASSEMBLY
132	1	11000115804	CONDENSER VALVE ASSEMBLY
133	1	KE003965	DRAIN MANIFOLD
134	1	111906	PLATE, COVER, BASEPLATE

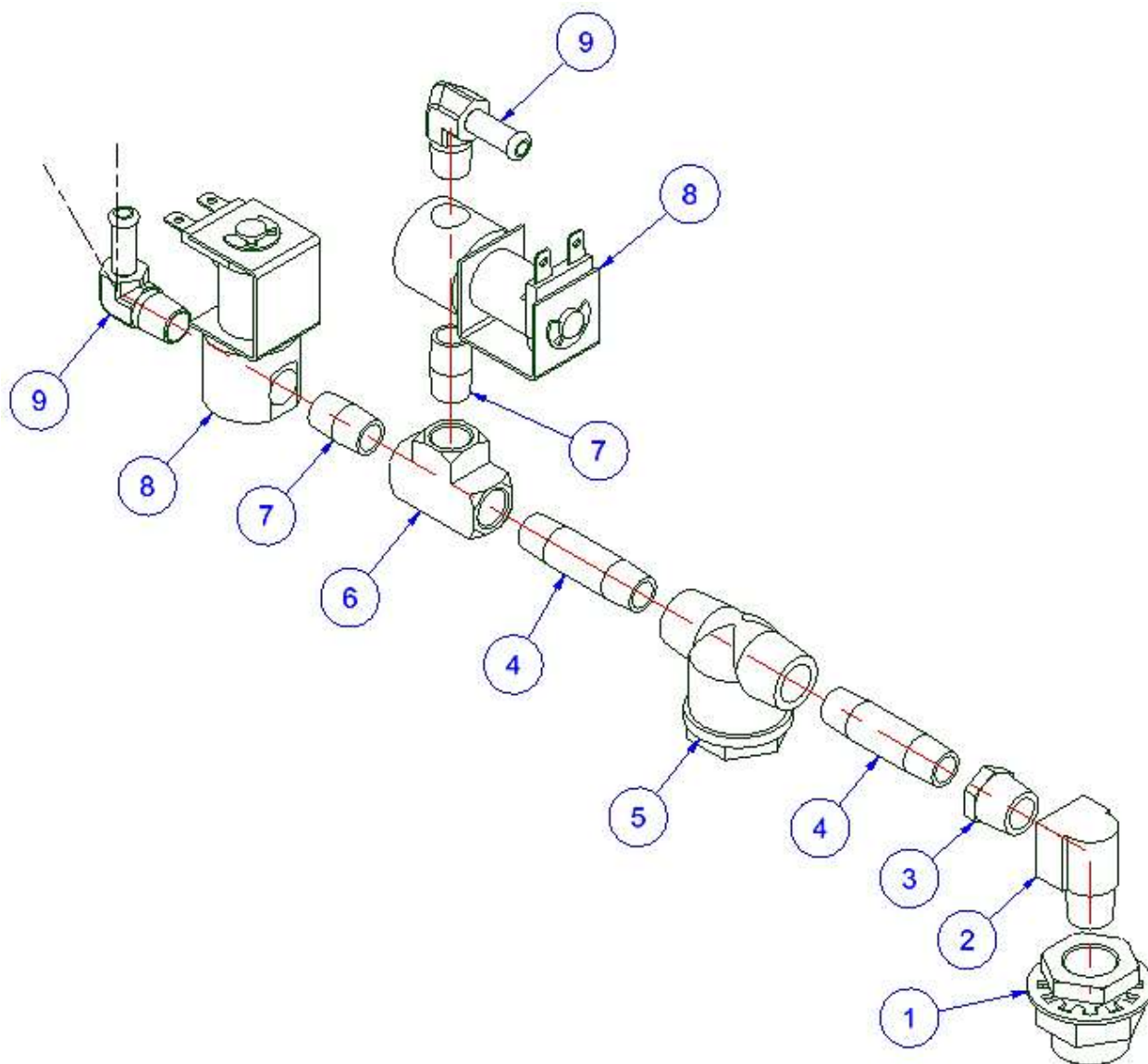
Assembly Number: KE003965

Description: Drain Manifold



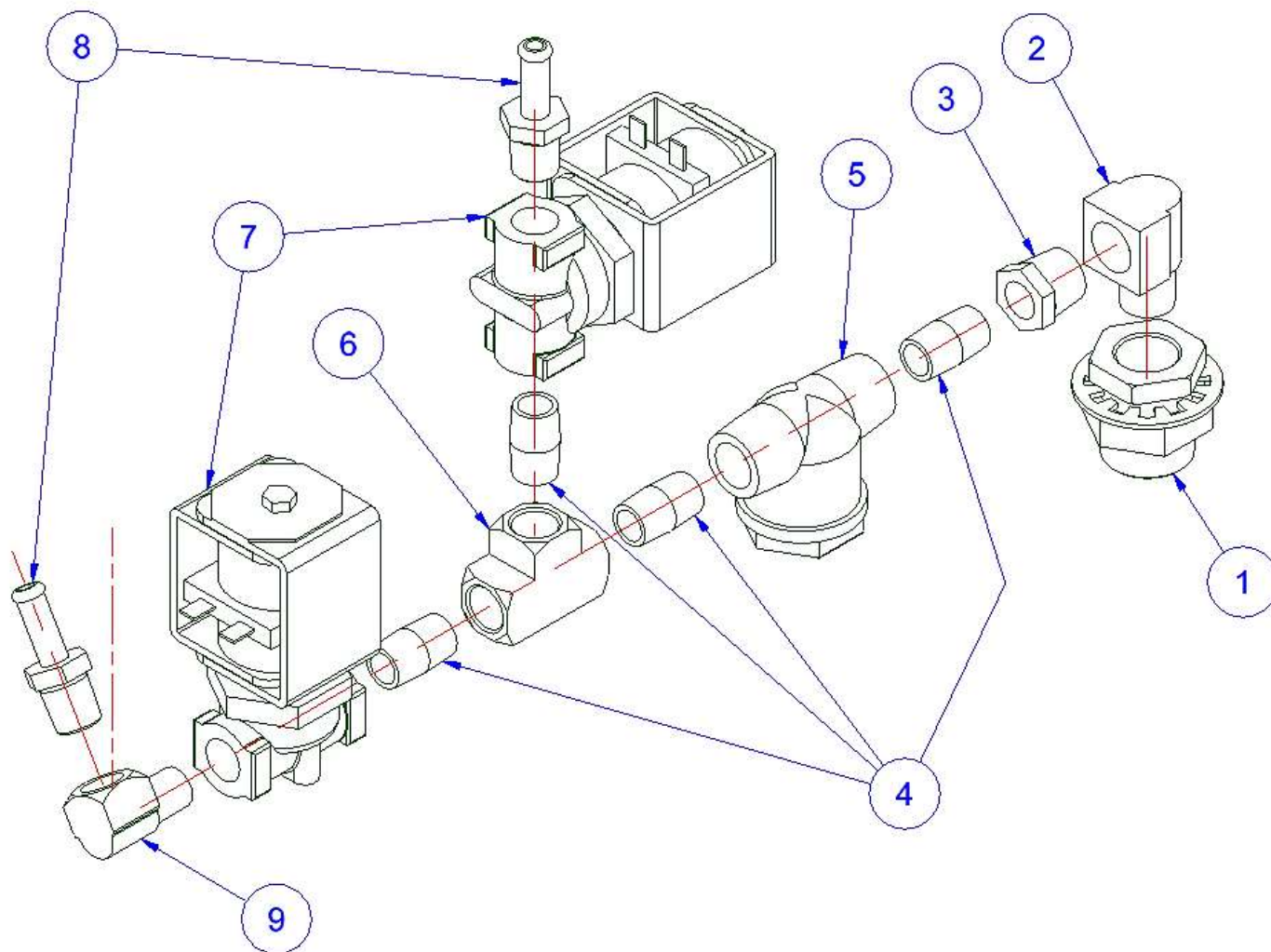
Item	QTY	Part NO.	Description
1	1	132521	MANIFOLD, ASSY, DRAIN, STUD LOCATION
2	2	05292	ELBOW, STREET, 90°, 1-1/2, BLACK
3	1	03058	CAP; PIPE; 1-1/2 IN; BLACK
4	1	05259	ELBOW, STREET, 3/4 x 90 DEG., BLACK
5	3	14343	NIPPLE, 3/4 x CLOSE, BLACK
6	1	21305	UNION, 3/4, BLACK
7	1	20209	TEE, 3/4" x 3/4" x 1/2", BLACK
8	2	14327	NIPPLE, 1/2 NPT X 2.005 SCH 40, BLK, TBE
9	2	22221	VALVE, SOLENOID, 1/2" DRAIN, 18IN LEAD
10	2	105786	FTG, HOSE BARB, 1/4Hx1/4MPT, 90°, BRASS
11	2	06241	FTG, HOSE BARB, 3/4Hx1/2MPT, BR.
12	1	05271	ELBOW, 90 DEG., 3/4 X 1.2, BLACK, REDUCING
13	2	14481	FITTING, HOSE BARB, 1 H x 1 MPT
14	A/R	00934	SEALANT, PIPE DOPE, RECTORSEAL #5

Assembly Number: 11000115804
Description: Condenser Valve Assembly



Item	QTY	Part NO.	Description
1	1	105794	FITTING, BULKHEAD, 3/8 NPT X 3/8 NPT
2	1	05280	ELBOW STREET 3/8 IN BRASS
3	1	02594	BUSHING, HEX, 3/8 x 1/4, BRASS
4	2	14476	NIPPLE .25NPT X 2.00, SCH 40, BRASS TBE
5	1	19870	STRAINER, 1/4 IN WATTS V #27, 40 MESH SCREEN
6	1	20199	TEE, 1/4", BRASS
7	2	14304	NIPPLE .25NPTF, CLOSE, BRASS
8	2	22218	VALVE, SOLENOID, 1/4" NORM, 120 VOL
9	2	111289	FITTING, ELBOW, 90 1/4" HOSE X 1/4" NPT MALE
10	A/R	00934	SEALANT, PIPE DOPE

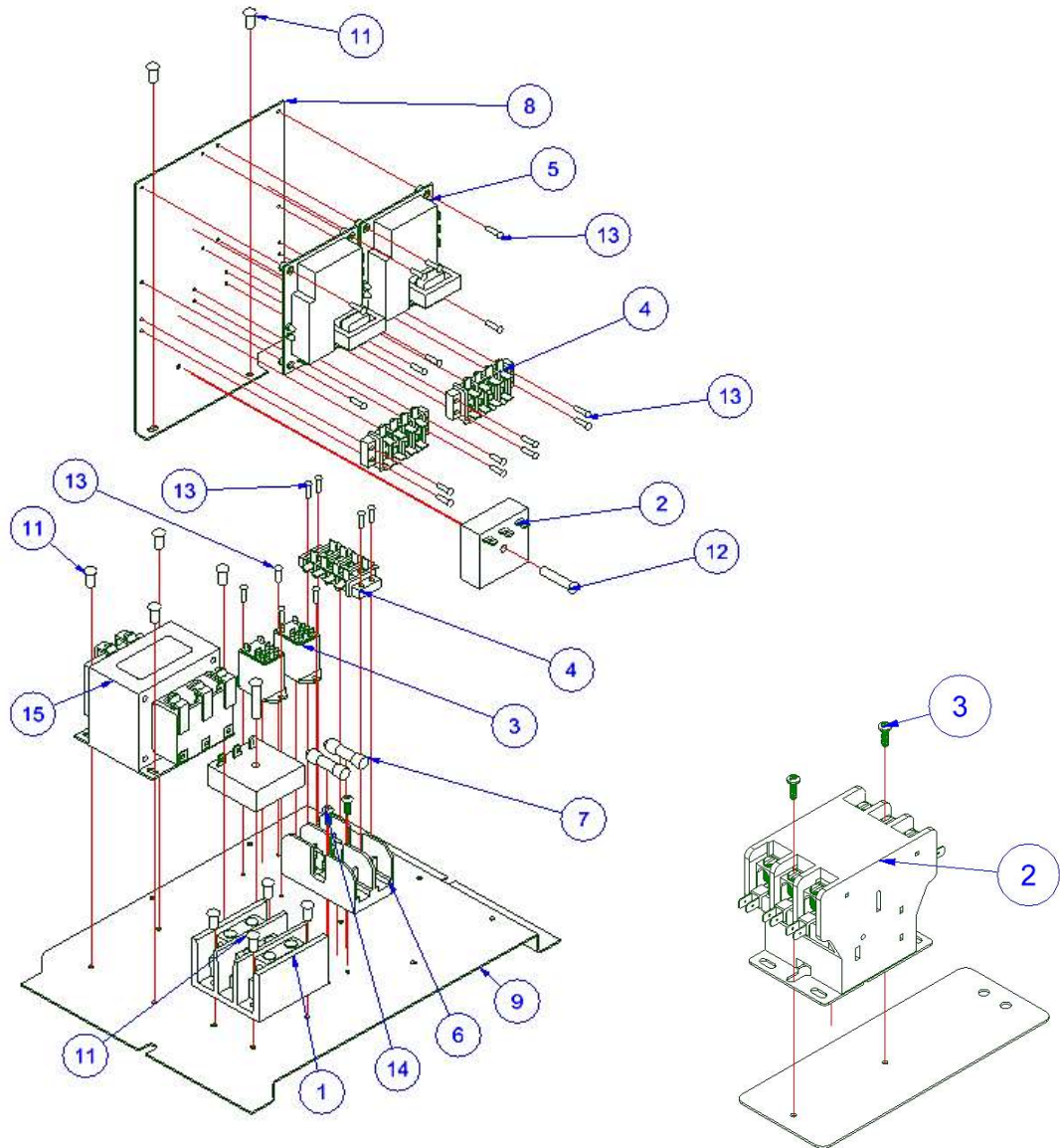
Assembly Number: KE003966
Description: Water Fill Valve Assembly



Item	QTY	Part NO.	Description
1	1	105794	FITTING, BULKHEAD, 3/8 NPT X 3/8 NPT
2	1	05280	ELBOW STREET 3/8 IN BRASS
3	1	02594	BUSHING, HEX, 3/8 x 1/4, BRASS
4	4	14304	NIPPLE .25NPTF, CLOSE, BRASS
5	1	19870	STRAINER, 1/4 IN WATTS V #27, 40 MESH SCREEN
6	1	20199	TEE, 1/4", BRASS
7	2	222231	VALVE, SOLENOID, 1/4, NPT, SPADE TERMINAL, 120V
8	2	109866	TUBE FITTING, RADIUS TIP (FOR 1/4" I.D. HOSE)
9	1	05235	ELBOW, STREET 1/4 X 90° BR, LONG PATTERN
10	A/R	00934	SEALANT, PIPE DOPE, RECTORSEAL #5

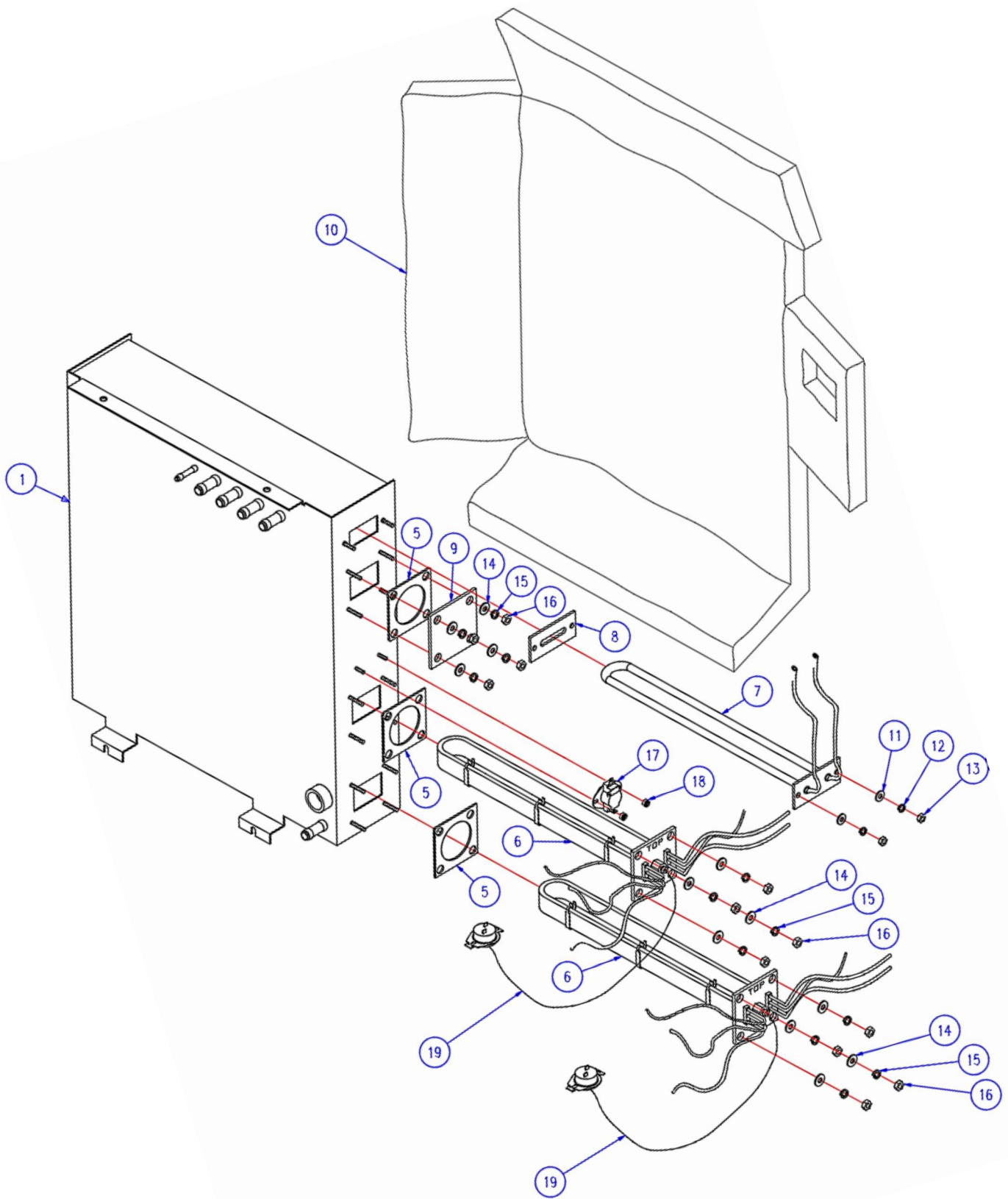
Assembly Number: KE004274

Description: Electric Generator Control Panel Assembly



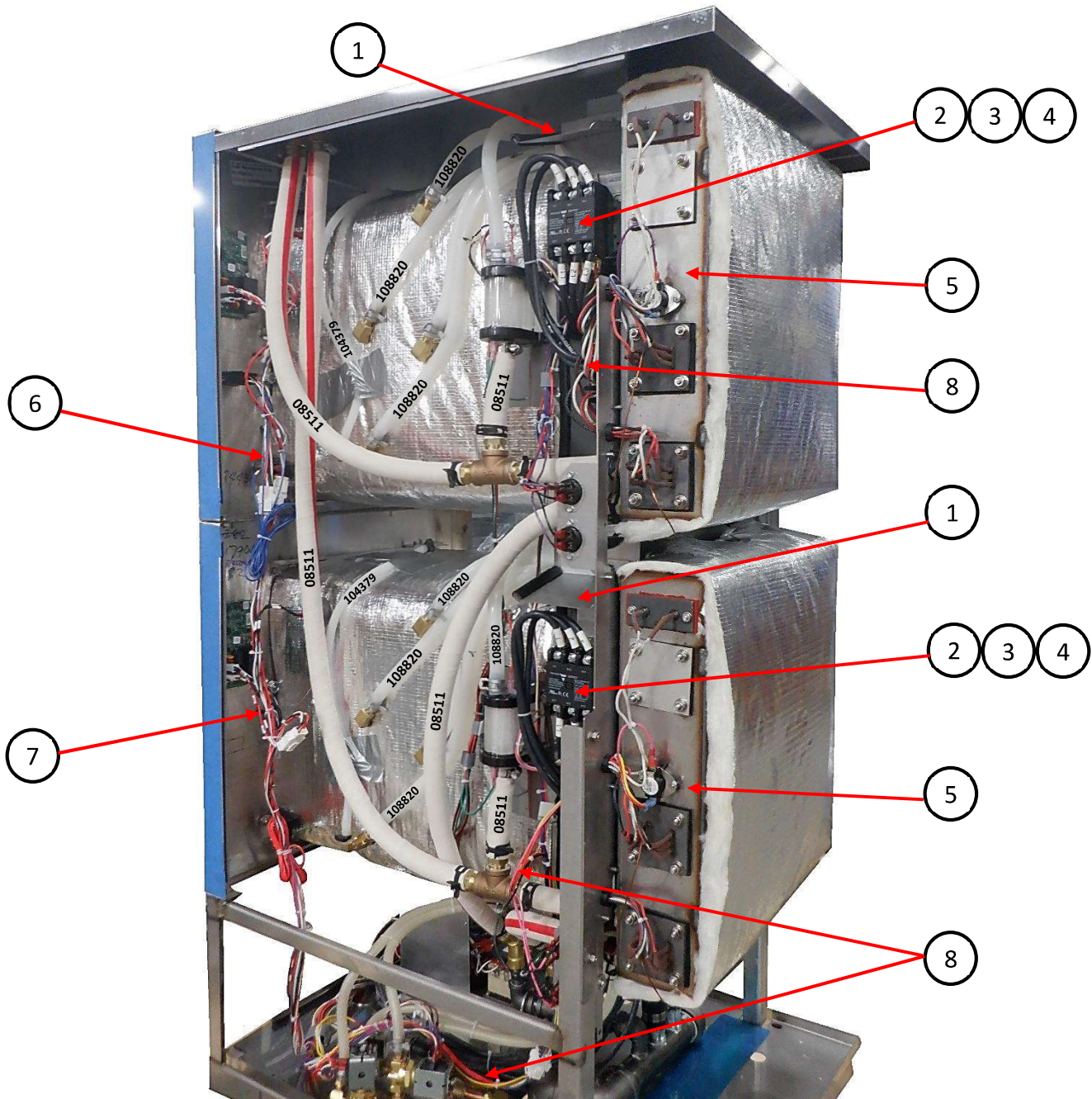
Item	QTY	Part NO.	Description
1	1	02193	TERMINAL BLOCK HEAVY DUTY
2	2	20478	TIMER, SOLID STATE INTERV 3 MINUTE
3	2	105966	RELAY, DPDT-W/MTG TABS
4	3	106175	TERMINAL BLOCK ASSEMBLY 4 POLE, W/2 JUMPERS
5	2	107241	BOARD, WATER LEVEL CONTROL
6	1	109374	BLOCK, FUSE, 2 POLE, 30 AMP
7	2	109380	FUSE, 3.5 AMP
8	1	KE604884	PLATE, WATERBOARD, MTG
9	1	KE604885	PLATE, ELEC CONTRL MOUNT
11	10	106123	SCREW, 10-32 X 1/2, TORX/PAN HD, THRD FORMING, ZN
12	2	106124	SCREW, TORX/SLOT #10-32 X 1-1/4 LG
13	24	106127	SCREW, 6-32 X 1/2, TORX/PAN HD
14	2	106126	SCREW; 8-32X1/2; TORX/SLTPN HD; THREAD FORMING; ZN PLATED
15	1	20535	TRANSFORMER, 150VA, 240V/480V PRIMARY, 120V SECONDARY

Assembly Number: 106150
Description: Generator Assembly



Item	QTY	Part NO.	Description
1	1	FK104195	GENERATOR WELD ASSEMBLY STEAMCRAFT ULTRA 5 & 10, LEFT HINGE
5	3	07128	GASKET
6	-	103881	HEATER ASSY, 8 kw, 208V
	-	1038811	HEATER ASSY, 8 kw, 240V
	-	1038814	HEATER ASSY, 8 kw, 480V
7	-	104306	ELEMENT, IMMERSION, 300W, 208V
	-	1043061	ELEMENT, IMMERSION, 300W, 240V
	-	1043062	ELEMENT, IMMERSION, 300W, 480V
8	1	104386	GASKET, DRYING ELEMENTS
9	1	104614	COVER PLATE
10	1	104192	INSULATION, CUT, GENERATOR
11	2	101655	WASHER, FLAT, #10 S/S
12	2	23113	WASHER, LOCK, SPLIT RING, CAD PLATED, #10
13	2	14659	NUT, HEX, 10-24 S/S
14	12	23116	WASHER, FLAT 1/4 X 5/8
15	12	23105	WASHER, LOCK, 1/4 S/S
16	12	14618	NUT, HEX, 1/4-20 S/S
17	1	105789	SWITCH, THERMAL DISK, SPDT 190°
18	2	104223	NUT, HEX, ELASTIC LOCK #6-32
19	2	103731	CAPILLARY, HI LIMIT

Description: General Assembly 4



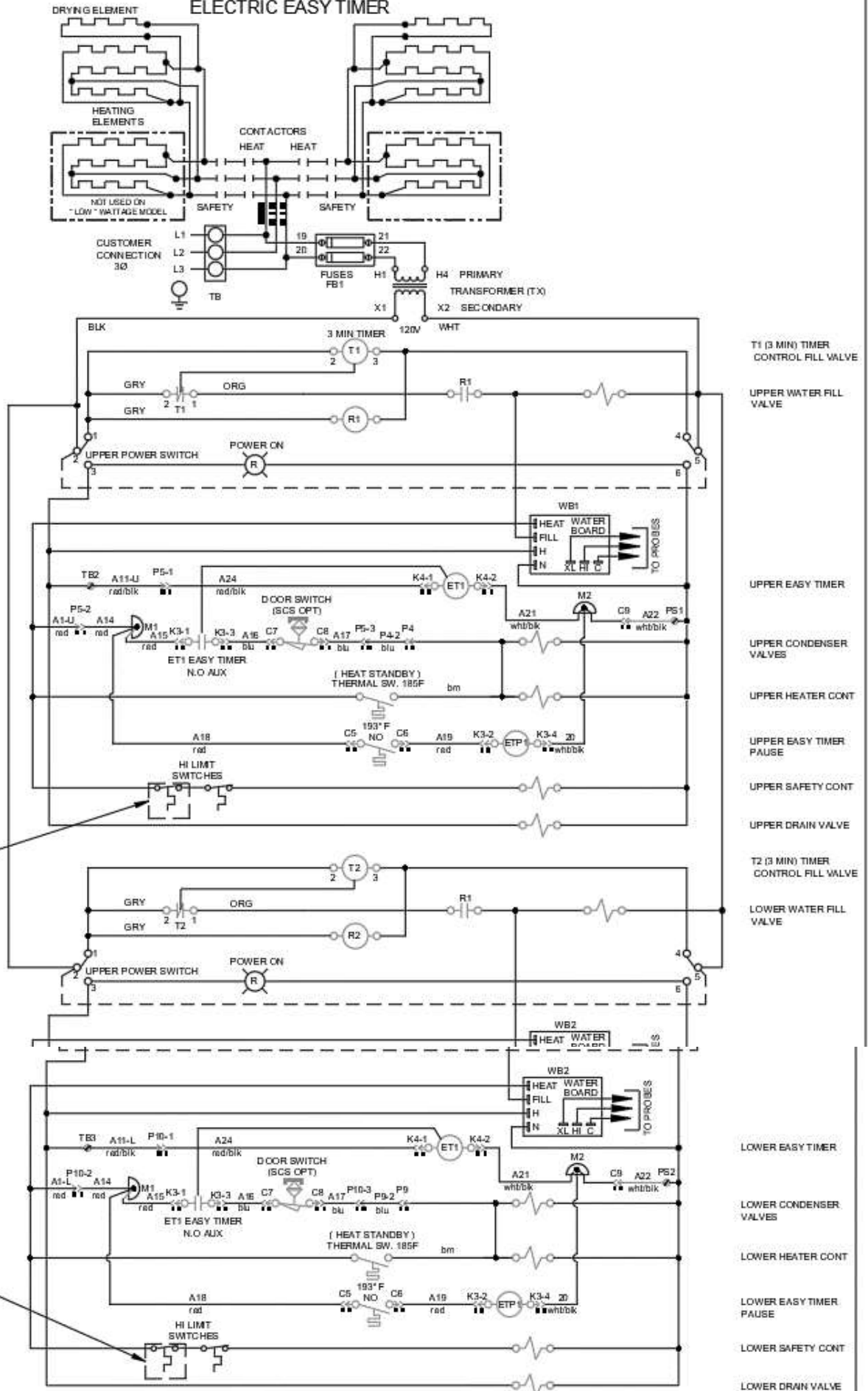
Item	QTY	Part NO.	Description
1	2	KE112247	SHIELD, CONTACTOR, 24CEA10
2	2	20478	TIMER, SOLID STATE INTERV 3 MINUTE
3	2	105966	RELAY, DPDT-W/MTG TABS
4	2	106175	TERMINAL BLOCK ASSEMBLY
5	2	106150	GENERATOR ASSEMBLY
6	1	WHWHKE604618-2	WIRING HARNESS UPPER, EASY TIMER
7	1	WHWHKE604618-1	WIRING HARNESS LOWER, EASY TIMER
8	1	WHWH24CEA102EZT	WIRING HARNESS ASSEMBLY

Hoses & Corresponding Clamps

PARTS LIST

- 1) 106880 - DOOR SW (SCS)
MAGNETIC
- 2) 20535 - TRANSFORMER
- POWER
- 3) 107241 - WATER BOARD
- 4) 107239 - PROBE
- 5) 103731 - HI LIMIT SWITCH
- 6) 222231 - FILL VALVE
- 7) 22218 - WATER SOLENOID
- 8) 106175 - TERMINAL BLOCK
4 POLE
- 9) 03509 - CONTACTOR 50 AMP
ASSY
- 03506 - CONTACTOR 75 AMP
ASSY
- 10) 02193 - TERMINAL BLOCK
- 11) 19993 - POWER SWITCH
- 12) 109080 - FUSE 3.5A 800V
- 13) 109374 - FUSE BLOCK
- 15) 20476 - 3 MINUTE TIMER
- 17) 22221 - DRAIN VALVE
- 16) 105789 - THERMAL SWITCH
185 F
- 19) 101541 - TERMINAL
SEGMENT
- 20) 101540 - END SEGMENT

**STEAMCRAFT-10.2
ELECTRIC EASY TIMER**

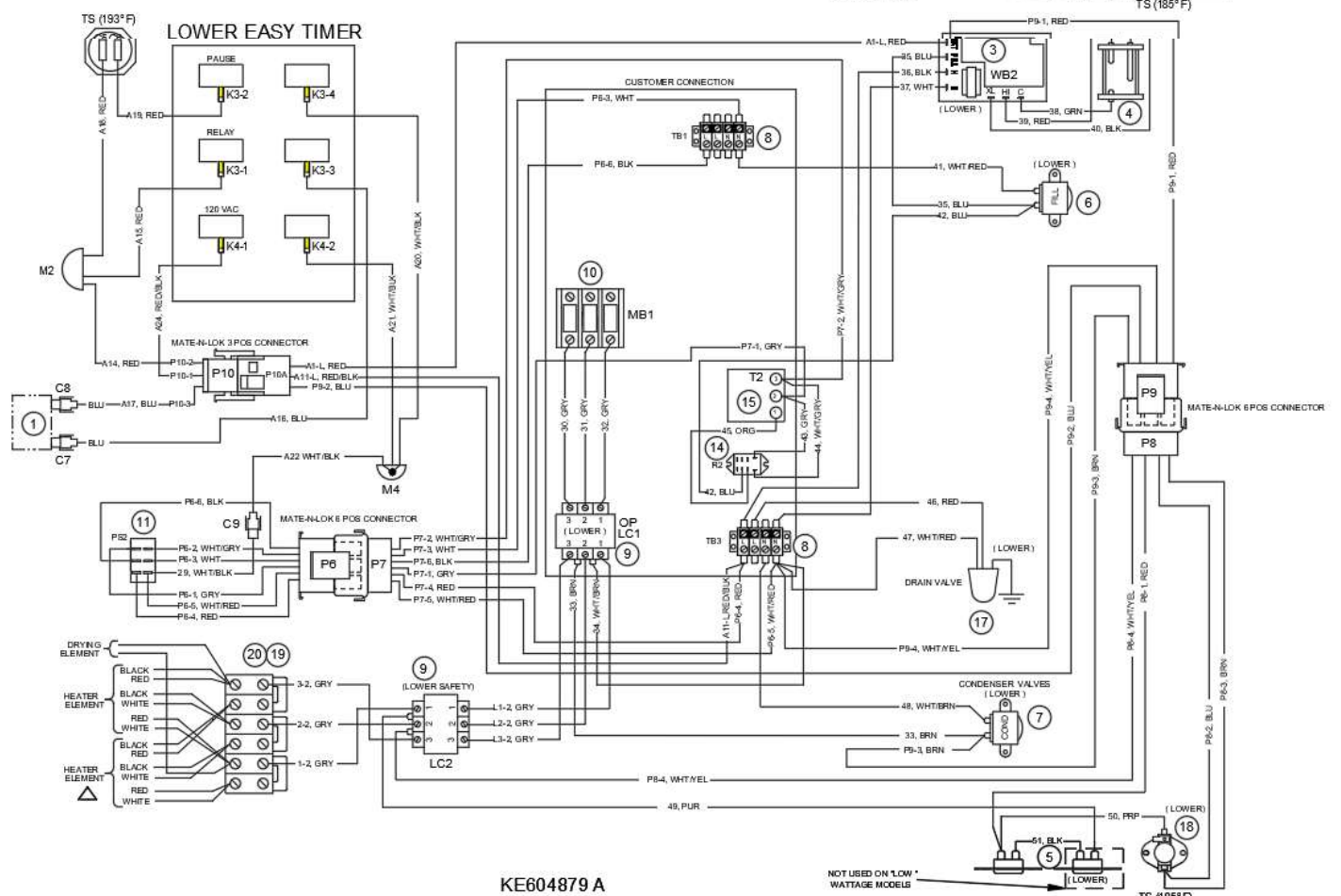
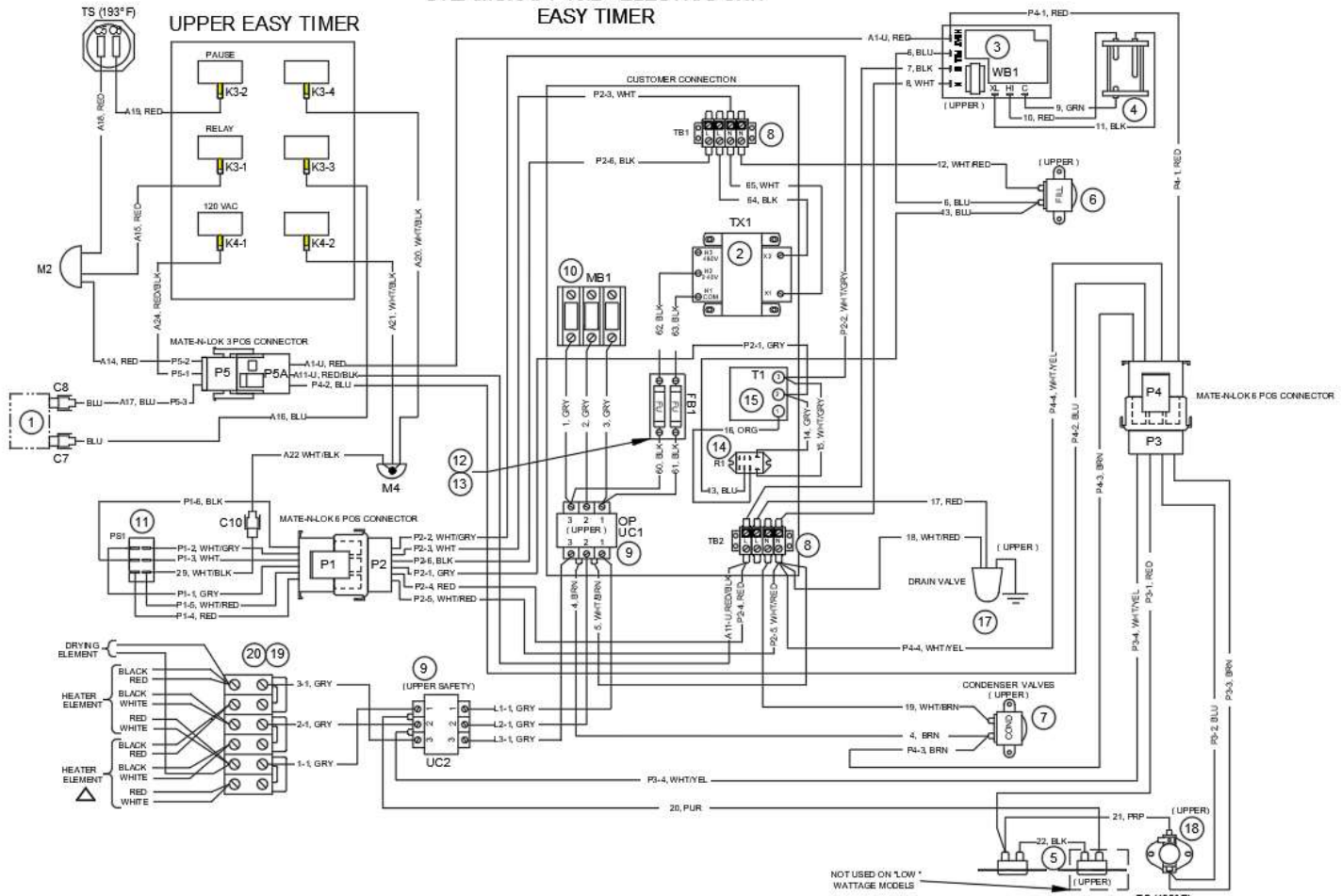


NOT USED ON 'LOW' WATTAGE MODELS

NOT USED ON 'LOW' WATTAGE MODELS

- T1 (3 MIN) TIMER
CONTROL FILL VALVE
- UPPER WATER FILL
VALVE
- UPPER EASY TIMER
- UPPER CONDENSER
VALVES
- UPPER HEATER CONT
- UPPER EASY TIMER
PAUSE
- UPPER SAFETY CONT
- UPPER DRAIN VALVE
- T2 (3 MIN) TIMER
CONTROL FILL VALVE
- LOWER WATER FILL
VALVE
- LOWER EASY TIMER
- LOWER CONDENSER
VALVES
- LOWER HEATER CONT
- LOWER EASY TIMER
PAUSE
- LOWER SAFETY CONT
- LOWER DRAIN VALVE

STEAMCRAFT 10.2 - ELECTRIC UNIT EASY TIMER



Cleveland

Service/Parts:

1-844-724-2273

US: Press #4 after prompt to be directed to Technical Services. Press #2 after prompt to be directed to Cleveland.

Canada: Press #1 after prompt to be directed to service in Canada.

Every new piece of Welbilt Foodservice equipment comes with KitchenCare® and you choose the level of service that meets your operational needs from one restaurant to multiple locations

StarCare – Warranty & lifetime service, certified OEM parts, global parts inventory, performance audited

ExtraCare – CareCode, 24/7 Support, online/mobile product information

LifeCare – Install & equipment orientation, planned maintenance, KitchenConnect™, MenuConnect®

Talk with KitchenCare® • 1-844-724-CARE • www.mtwkitchencare.com



To learn how Welbilt Foodservice and its leading brands can equip you, visit our global web site at www.welbilt.com, then discover the regional or local resources available to you.

