

SteamCraft

Cleveland

Gas Convection Steamer with Easy Timer

Parts Manual

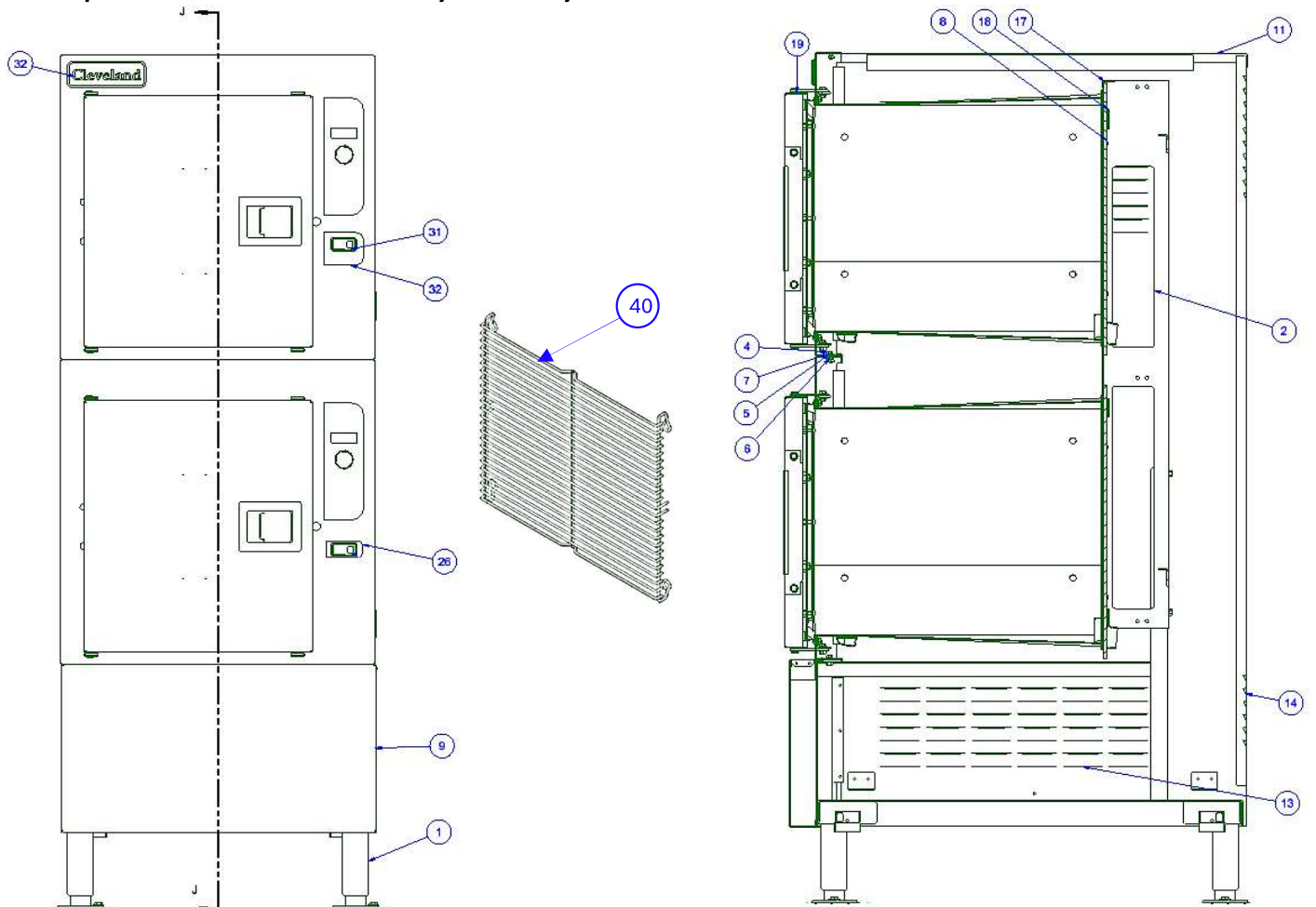
MODELS:

24CGA10



Part # KE004036-21 Rev A
February 2024

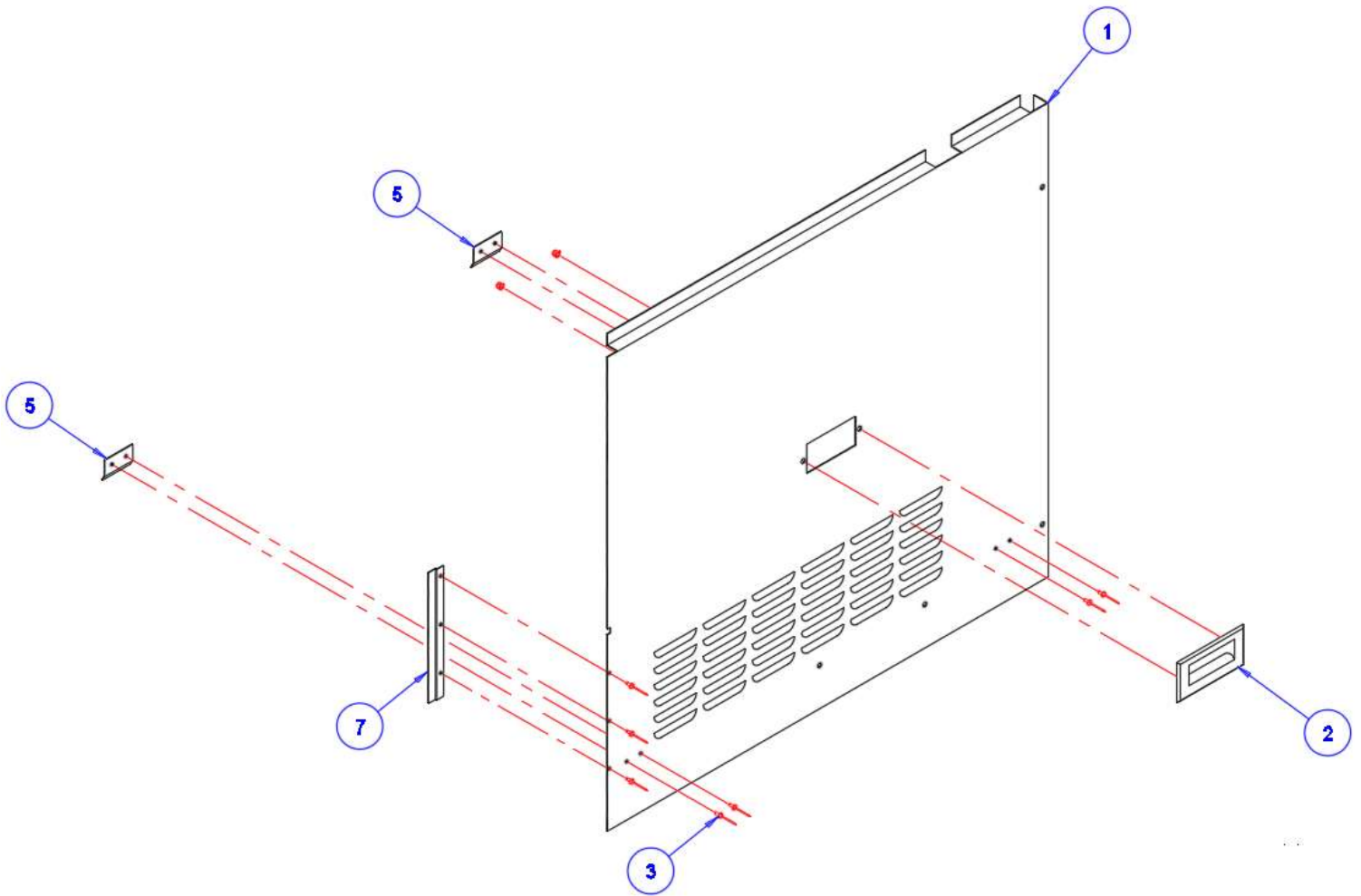
Description: 24CGA10 General Body Assembly 1



Item	QTY	Part No.	Description
1	1	KE004137	BASE WELDMENT ASSEMBLY
2	1	KE004136	CAVITY, BACK, WELD ASSEMBLY
4	16	19170	SCREW, HEX HD, 1/4-20x5/8, SST
5	32	23116	WASHER, FLAT, .281 ID x.625 OD x .065 THK, SST
6	8	14618	NUT, HEX, 1/4-20, STAINLESS STEEL
7	16	23105	WASHER, LOCK, 1/4" KATLINK STYLE, SST
8	8	14652	NUT, HEX, 5/16-18, SST
9	1	KE004182	PANEL, LOWER FRONT, ASSEMBLY
11	1	105666	PANEL ASSY, TOP WELDMENT
12	1	107273	PNL. ASY, RIGHT SIDE, TOP, HLF, S/C 10 ULTRA & D.C.
13	1	106043	PANEL, SIDE, LEFT ASSY, STEAMCRAFT 10
14	1	113303	PANEL, BACK STEAMCRAFT 10
15	2	108908	PNL, ASY, TOP-WELD, GAS, GEMINI
17	2	KE604578-1	INSULATION REAR WALL
18	8	101953	CLIP, INSULATION RETAINER, 1-1/2, .105 HOLE, GALV.
19	2	KE004134-1	BODY ASSY, HL/HR, EASYTIMER
26	1	KE604706-1	LABEL, MODEL 24CGA10, EASYTIMER
30	1	107272	PNL. ASY, RIGHT SIDE, BOTTOM HALF
31	2	19993	SWITCH, ROCKER, DPDT, ON/OFF 15A, 125V
32	2	KE604449	LABEL, ON/ OFF
35	1	KE604822	EASYTIMER LABEL INSTRUCTIONS
40	1	414232	RACK ASSEMBLY, WIRE PAN

Assembly Number: 107272

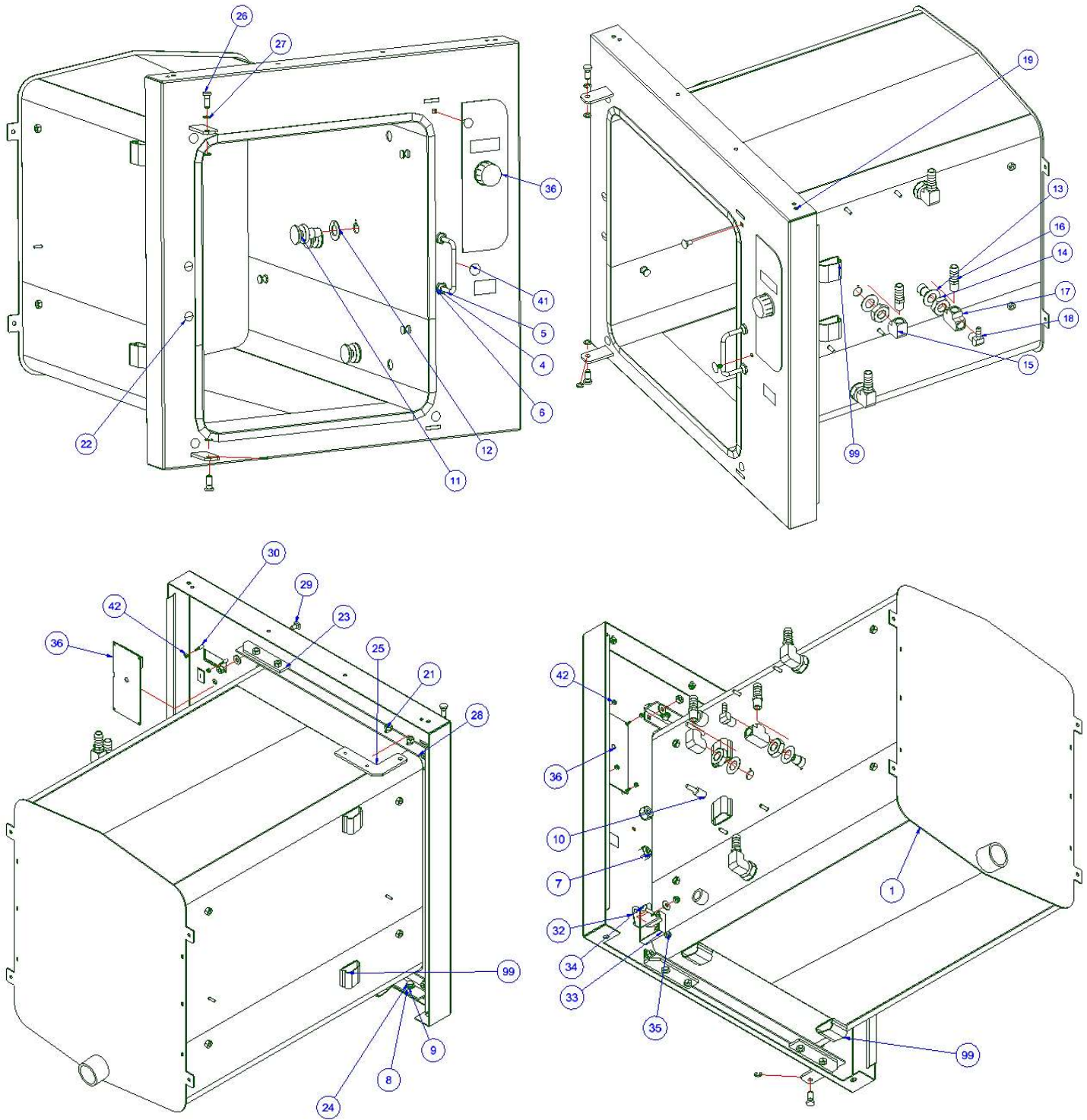
Description: Panel Assembly, Right Side, Bottom Half, SteamCraft 10



Item	QTY	Part No.	Description
1	1	1071201	PANEL, R.S. WELD, BTM. HALF
2	1	08108	HANDLE, DOOR, W/OPEN END ACORN NUTS
3	7	18357	RIVET, FLUSH, 1/8 SST
5	2	106045	BRACKET, SIDE SUPPORT, SHORT
7	1	1061431	BRACKET, RETAINER

Assembly Number: KE004134-1 (HL)

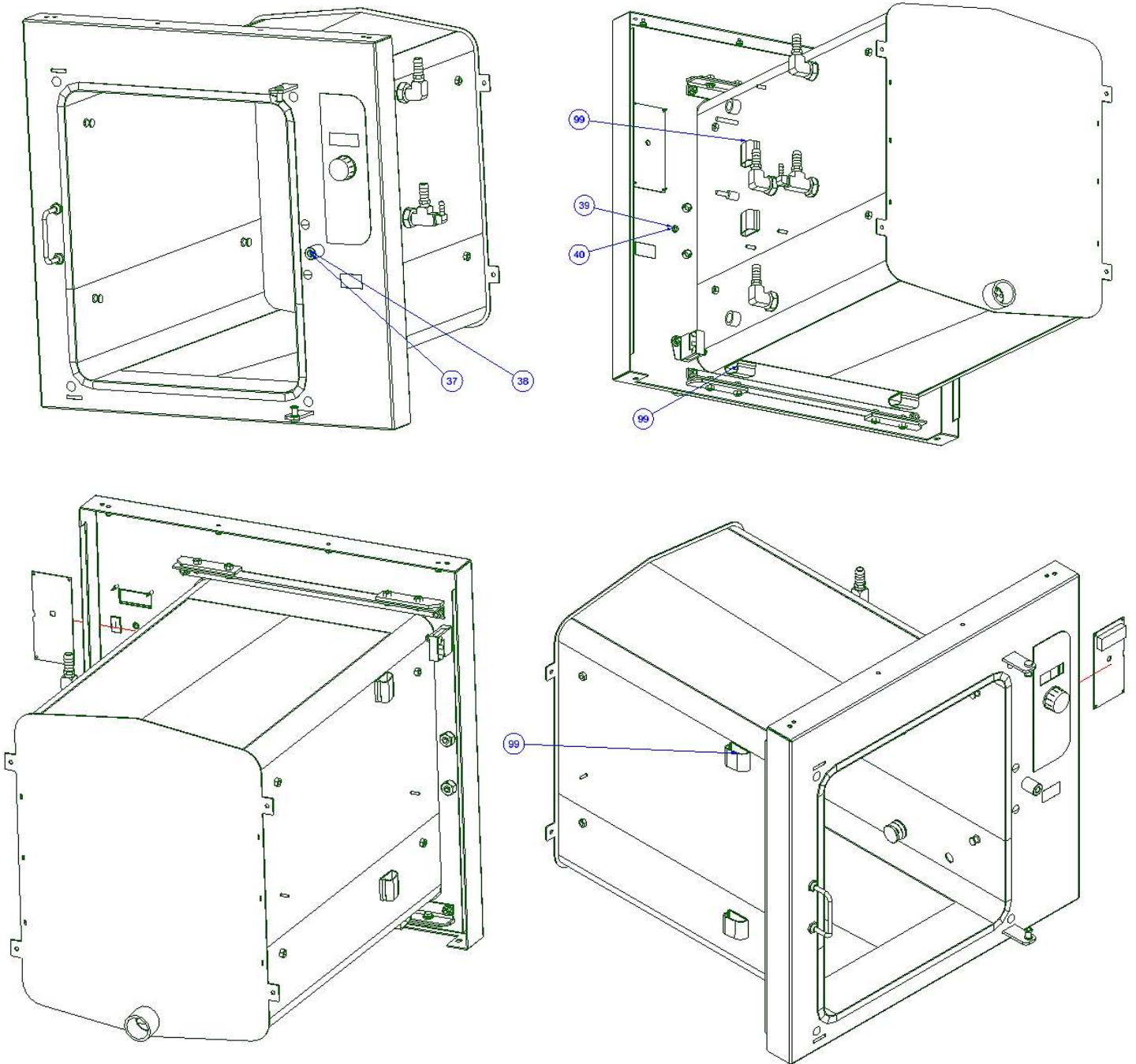
Description: Body Assembly, HL, SteamCraft 10 & 10.2, Easy Timer



Item	QTY	Part NO.	Description
2	1	69298	SCREEN; DRAIN COMPARTMENT (STAINLESS)
3	1	14677	NUT, ACORN, 1/4-20, SST (FOR DRAIN COMPARTMENT SCREEN)
4	4	14695	NUT, DOOR CATCH MOUNTING
5	1	104046	CATCH, DOOR
6	2	23149	WASHER, NYLON, TYPE 6/6
7	2	14649	NUT, HEX, 1/2-13, ZINC PLTD
8	14	23116	WASHER, FLAT, .281 ID x .625 OD x .065 THK, SST
9	8	23105	WASHER, LOCK, 1/4" KATLINK STYLE, SST
10	1	195552	SPACER, 1/4" I.D. X 1/2 O.D. X 0.688 LG.
11	4	104009	STEAM SUPPLY
12	4	104082	STEAM INJECTOR
13	4	104232	WASHER, FLAT, .640IDx.032x 1.187 OD S/S
14	4	104081	NUT, JAM 5/8-18, BRASS
15	3	05236	ELBOW, 1/4 X 90, BRASS
16	4	104048	FTG; HOSE; BARB; 1/2Hx1/4 NPT
17	1	20199	TEE, 1/4", BRASS
18	1	105786	FTG, HOSE BARB, 1/4Hx1/4MPT, 90°, BRASS
19	4	14672	NUT, HEX, 10-32, ELASTIC LOCK, ZINC PLTD
20	1	104193	INSUL., BODY, SC 5, HL/HR
21	12	14618	NUT, HEX, 1/4-20, STAINLESS STEEL
22	2	KE604471	ROUND PLUG; 9/16 OD; 1/2 HOLE
23	2	KE604468	HINGE, DOOR, BLANK
24	8	19170	SCREW, HEX HD, 1/4-20x5/8, SST
25	2	KE604469	HINGE, DOOR
26	2	104077	PIN, HINGE
27	4	104062	RING, EXT, RETAINING, SST
28	2	KE604467	HINGE, ANGLE
29	4	108644	SCREW, CARRIAGE, 1/4-20x1/2, SST (RND HEAD, SQ NECK)
30	4	KE604586	EASY TIMER SPACER
32	1	KE604151	BRACKET; STEAM CUTOFF SWITCH; 10 PAN STEAMERS
33	2	108880	SWITCH, DOOR STEAM CUTOFF
34	1	109053	SCREW, 10-24 X 0.750 SST, PHILLIPS TRUSS HEAD
35	2	14692	NUT, HEX, 10-24, ELASTIC LOCK, ZINC PLTD, FASTENER
36	1	KE004164	EASY TIMER ASSEMBLY
38	1	KE604635	1" HT SBR RUBBER BUMPER
39	1	FA30076	#10 FLAT WASHER ZINC PLATED
40	1	FA20504-2	8-32 KEPS NUT ZC
41	1	KE604638	0.250" PLASTIC PUSH IN RIVET
42	4	KE604587	NUT FOR EASY TIMER
98	1	114169-1	DOOR ASSY, SC5/10/10.2
99	6	23432	CLIP, MOUNTING; WIRE/CABLE

Assembly Number: KE004134-1 (HR)

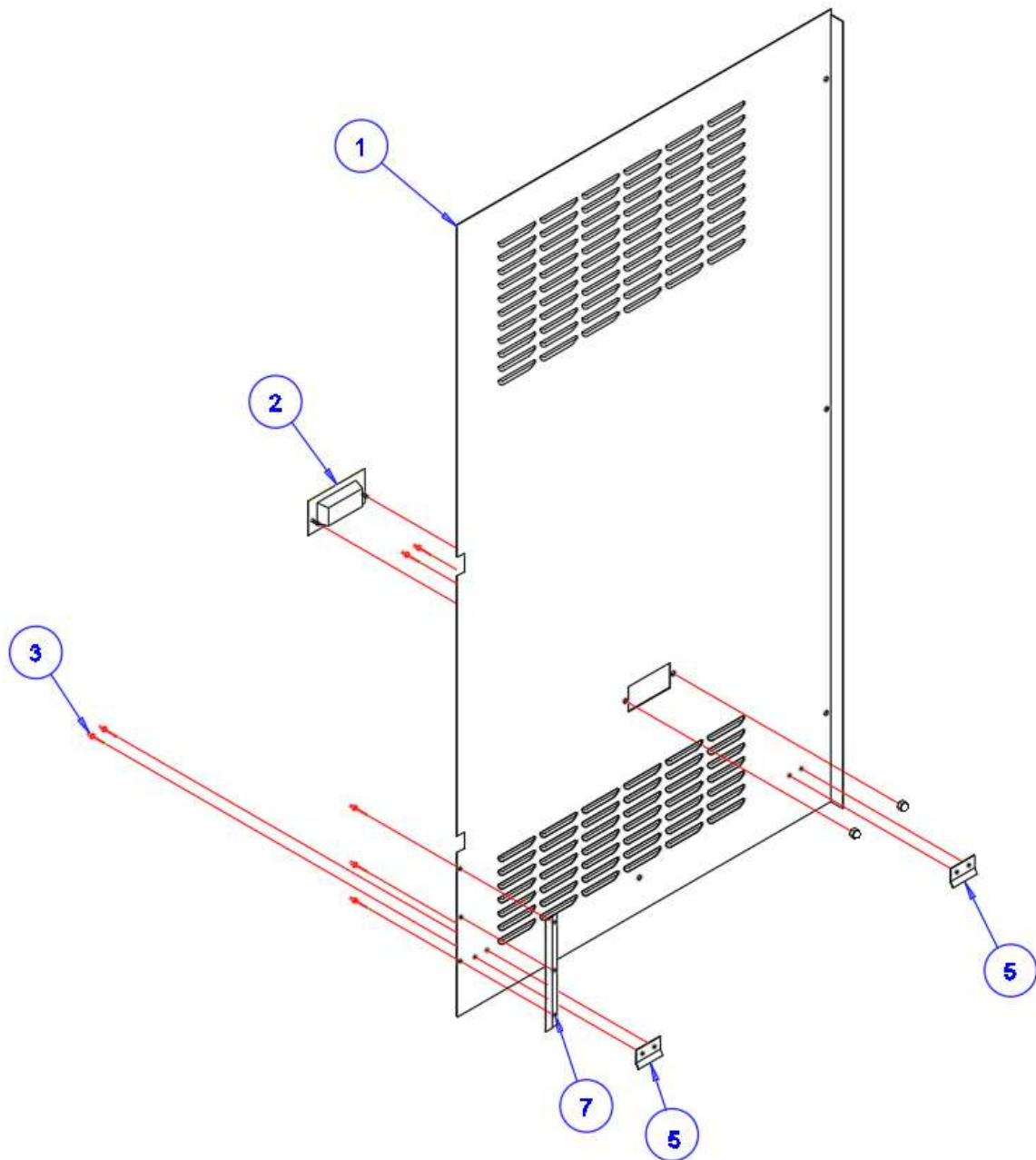
Description: Body Assembly, HR, SteamCraft 10 & 10.2, Easy Timer



Item	QTY	Part NO.	Description
2	1	69298	SCREEN; DRAIN COMPARTMENT (STAINLESS)
3	1	14677	NUT, ACORN, 1/4-20, SST (FOR DRAIN COMPARTMENT SCREEN)
4	4	14695	NUT, DOOR CATCH MOUNTING
5	1	104046	CATCH, DOOR
6	2	23149	WASHER, NYLON, TYPE 6/6
7	2	14649	NUT, HEX, 1/2-13, ZINC PLTD
8	14	23116	WASHER, FLAT, .281 ID x.625 OD x .065 THK, SST
9	8	23105	WASHER, LOCK, 1/4" KATLINK STYLE, SST
10	1	195552	SPACER, 1/4" I.D. X 1/2 O.D. X 0.688 LG.
11	4	104009	STEAM SUPPLY
12	4	104082	STEAM INJECTOR
13	4	104232	WASHER, FLAT, .640IDx.032x 1.187 OD S/S
14	4	104081	NUT, JAM 5/8-18, BRASS
15	3	05236	ELBOW, 1/4 X 90, BRASS
16	4	104048	FTG; HOSE; BARB; 1/2Hx1/4 NPT
17	1	20199	TEE, 1/4", BRASS
18	1	105786	FTG, HOSE BARB, 1/4Hx1/4MPT, 90°, BRASS
19	4	14672	NUT, HEX, 10-32, ELASTIC LOCK, ZINC PLTD
20	1	104193	INSUL., BODY, SC 5, HL/HR
21	12	14618	NUT, HEX, 1/4-20, STAINLESS STEEL
22	2	KE604471	ROUND PLUG; 9/16 OD; 1/2 HOLE
23	2	KE604468	HINGE, DOOR, BLANK
24	8	19170	SCREW, HEX HD, 1/4-20x5/8, SST
25	2	KE604469	HINGE, DOOR
26	2	104077	PIN, HINGE
27	4	104062	RING, EXT, RETAINING, SST
28	2	KE604467	HINGE, ANGLE
29	4	108644	SCREW, CARRIAGE, 1/4-20x1/2, SST (RND HEAD, SQ NECK)
30	4	KE604586	EASY TIMER SPACER
32	1	KE604151	BRACKET; STEAM CUTOFF SWITCH; 10 PAN STEAMERS
33	2	108880	SWITCH, DOOR STEAM CUTOFF
34	1	109053	SCREW, 10-24 X 0.750 SST, PHILLIPS TRUSS HEAD
35	2	14692	NUT, HEX, 10-24, ELASTIC LOCK, ZINC PLTD, FASTENER
36	1	KE004164	EASY TIMER ASSEMBLY
37	1	FA10245	FA10245
38	1	KE604635	1" HT SBR RUBBER BUMPER
39	1	FA30076	#10 FLAT WASHER ZINC PLATED
40	1	FA20504-2	8-32 KEPS NUT ZC
41	1	KE604638	0.250" PLASTIC PUSH IN RIVET
42	4	KE604587	NUT FOR EASY TIMER
98	1	114169-1	DOOR ASSY, SC5/10/10.2
99	6	23432	CLIP, MOUNTING; WIRE/CABLE

Assembly Number: 106043

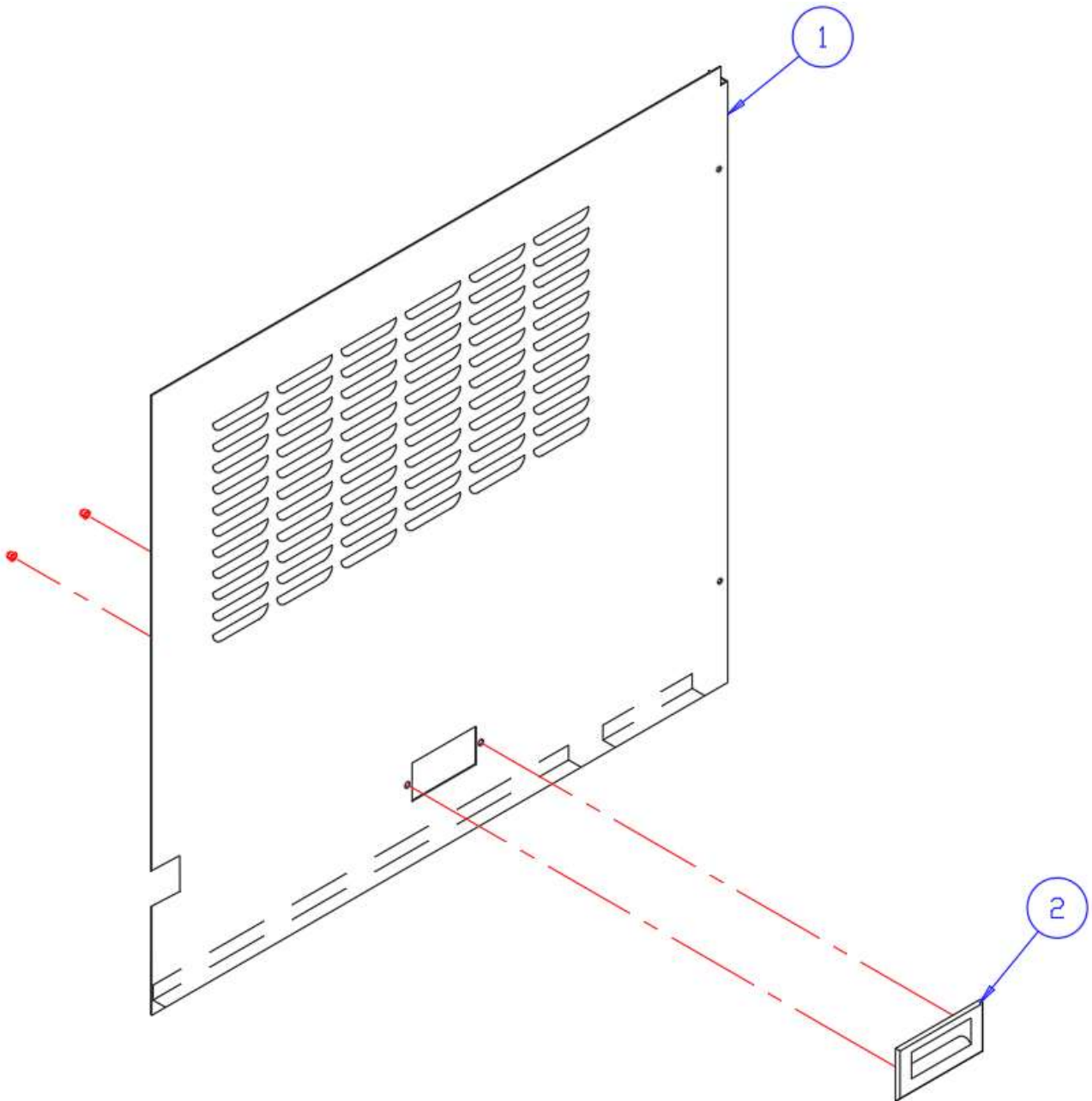
Description: Panel Assembly, Left Side, SteamCraft 10



Item	QTY	Part No.	Description
1	1	105669	PANEL, SIDE, LEFT, S/C 6 & 10
2	1	08108	HANDLE, DOOR, W/ACORN NUTS
3	7	18357	RIVET, FLUSH, 1/8, SST
5	2	106045	BRACKET, SIDE SUPPORT, SHORT
7	1	1061431	BRACKET, RETAINER

Assembly Number: 107273

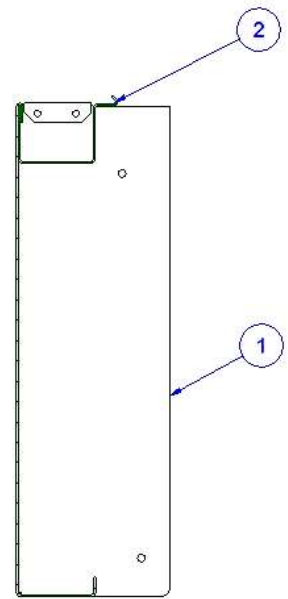
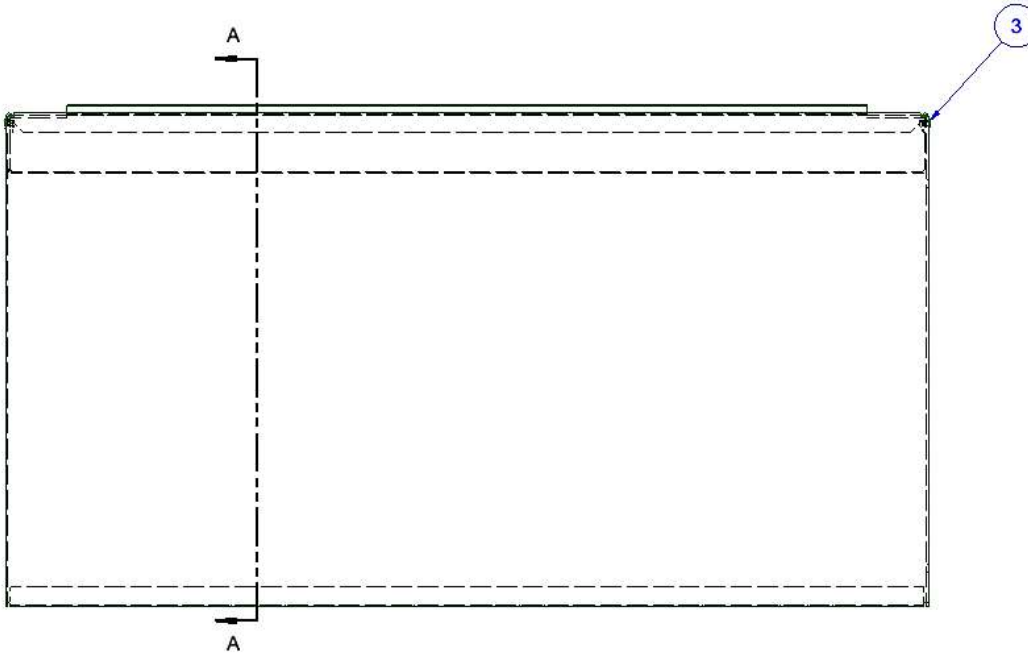
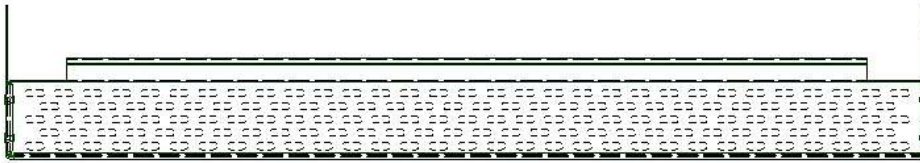
Description: Panel Assembly, Right Side, Top Half, SteamCraft 10



Item	QTY	Part No.	Description
1	1	107121	PANEL, SIDE, RIGHT, TOP HALF
2	1	08108	HANDLE, DOOR, LIFTOFF, SST, W/#10 NUTS

Assembly Number: KE004182

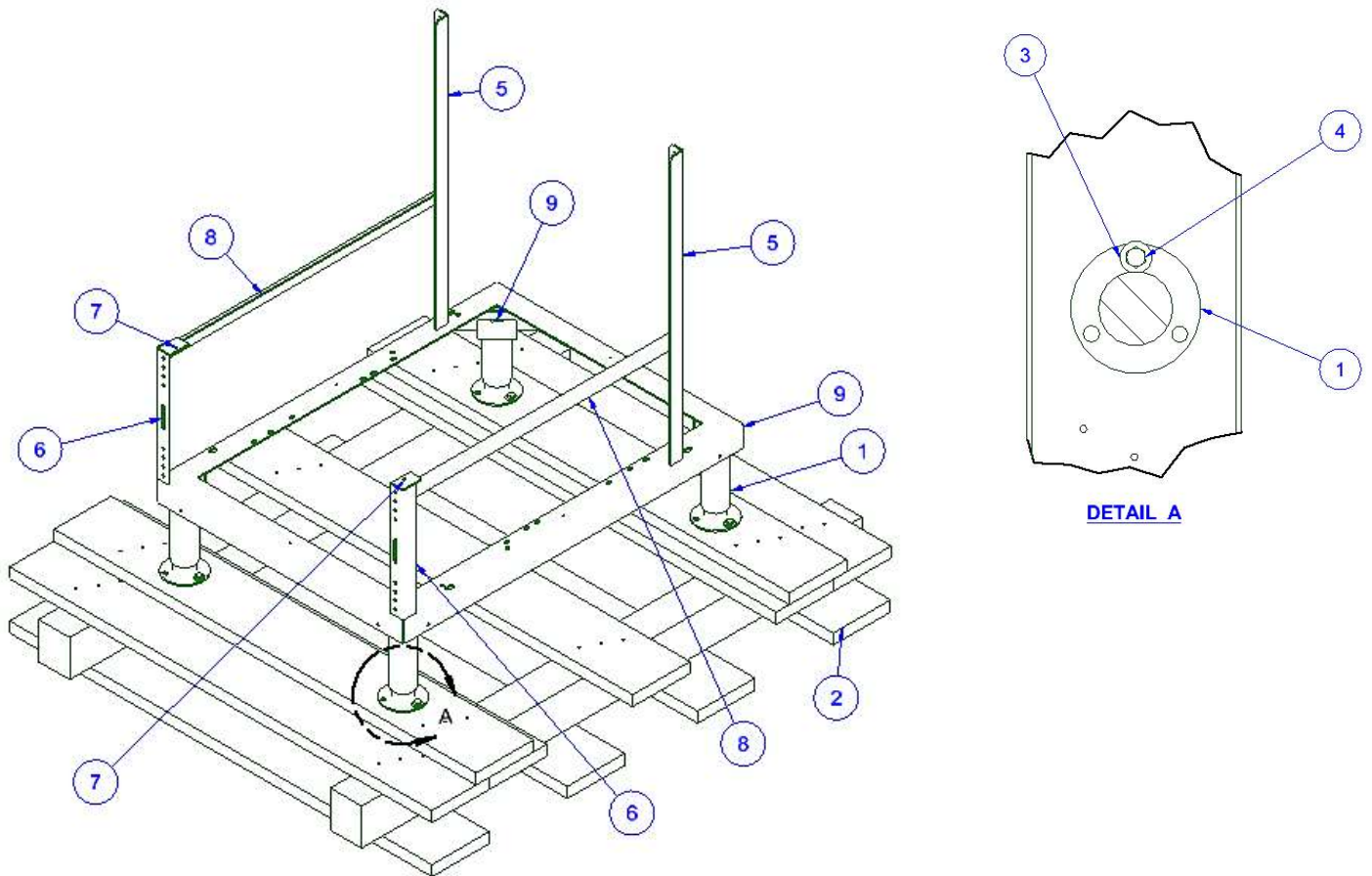
Description: Panel Assembly, Lower Front



SECTION A-A
SCALE 1/3

Item	QTY	Part No.	Description
1	1	11000115794	PANEL, LOWER FRONT, SC10
2	1	KE604575	TRAY, DRIP, SC 10, 2 IN WIDE
3	4	18357	RIVET, FLUSH BREAK, 0.125 DIA, 0.126/0.187 GRIP, SST

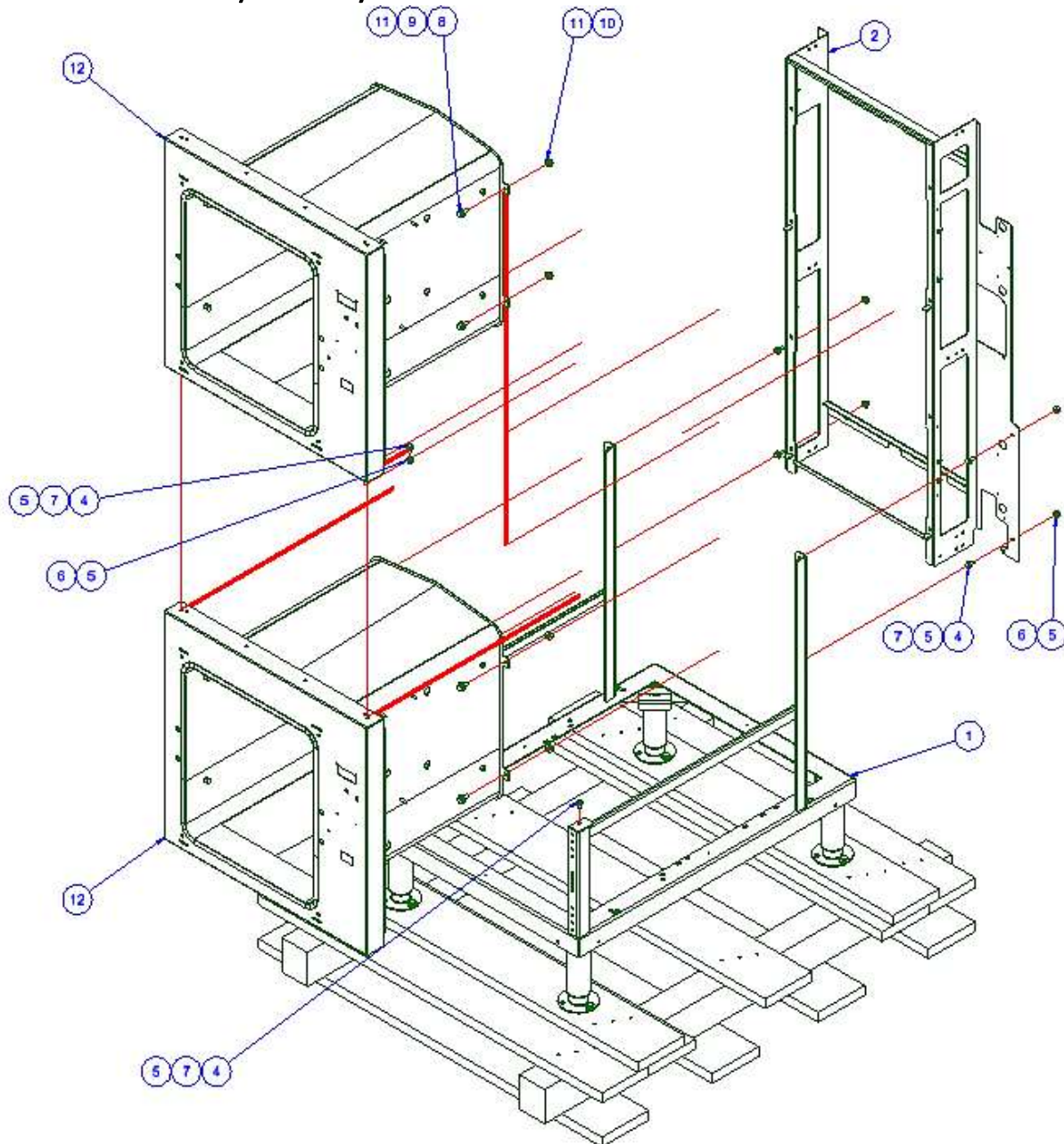
Assembly Number: KE004137
Description: Base Weldment Assembly



Item	QTY	Part NO.	Description
1	4	06162	FOOT, 6.00" ADJUSTABLE, FLANGED/TRI-BOLT HOLE PATTERN
2	1	41915	PALLET, SHIPPING, 1050MM BASE
3	4	23136	WASHER, FLAT, 3/8"ID, 7/8"OD, 1/16"THK, SST
4	4	108203	SCREW; HEX HD LAG; ZINC PLTD; 5/16 X 1-1/4
5	2	KE604483	LEG, REAR
6	2	KE604484	LEG, FRONT
7	2	KE604485	FRONT BRACE
8	2	KE604486	SIDE BRACE
9	1	KE004140	FRAME ASS'Y LOWER SUPPORT

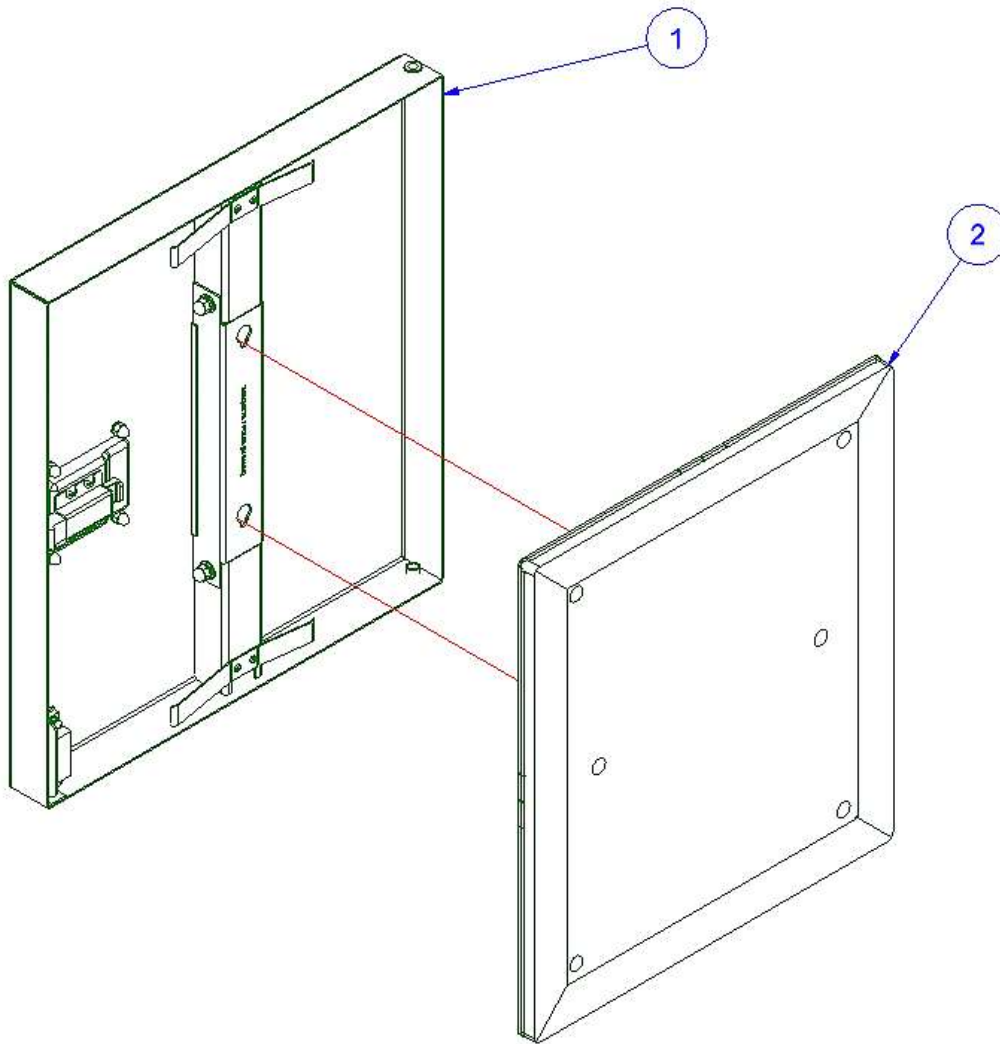
Assembly Number: KE004138-1

Description: SteamCraft Cavity Assembly



Item	QTY	Part NO.	Description
1	1	KE004137	BASE WELDMENT ASSEMBLY
2	1	KE004136	CAVITY, BACK, WELD ASSEMBLY
4	8	19170	SCREW, HEX HD, 1/4-20x5/8, SST
5	14	23116	WASHER, FLAT, .281 ID x.625 OD x .065 THK, SST
6	6	14618	NUT, HEX, 1/4-20, STAINLESS STEEL
7	8	23105	WASHER, LOCK, 1/4" KATLINK STYLE, SST
8	8	19228	SCREW, 5/16-18 X 0.750, HEX HD, SST
9	8	23106	WASHER, 5/16 LOCK SPLIT RING, MEDIUM, SST
10	8	14652	NUT, HEX, 5/16-18, SST
11	16	23134	WASHER, FLAT, 5/16 ID 3/4 OD 1/16 THK., ZINK PLTD
12	2	KE004135-1	CAVITY WELDT ASSY; EASYTIMER; HL

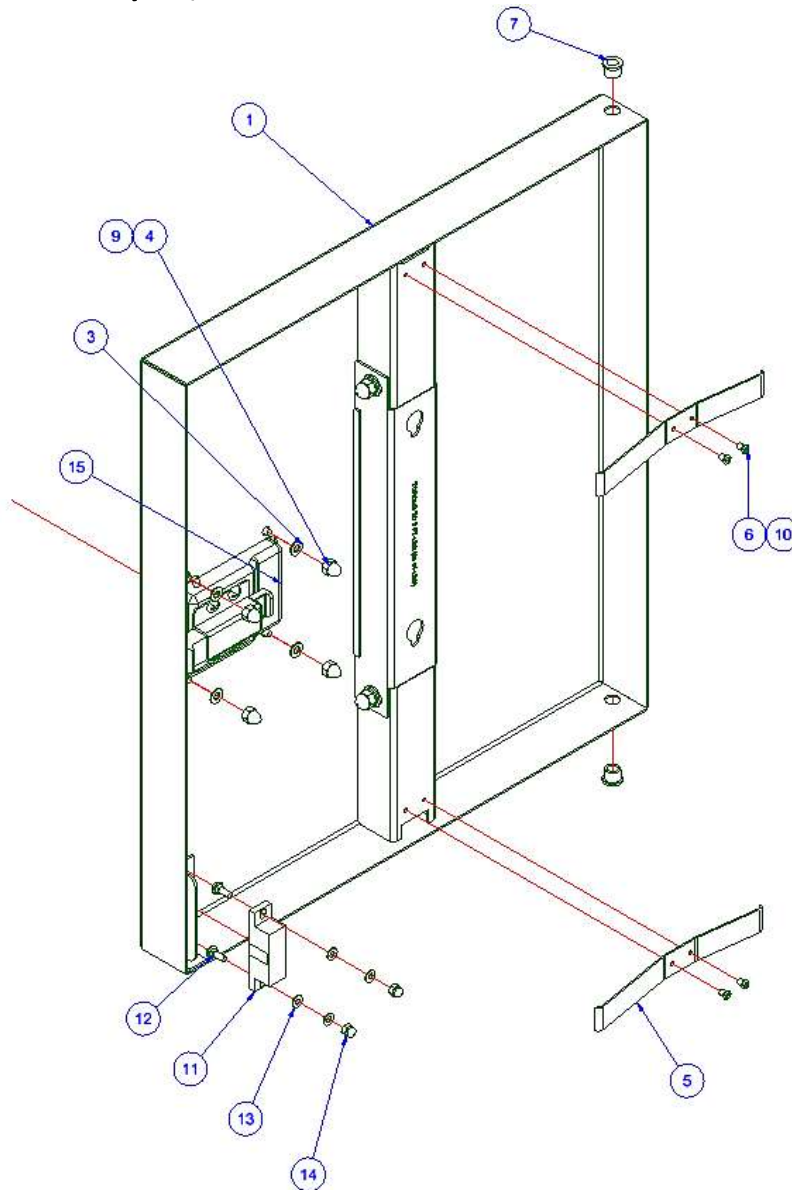
Assembly Number: 114169-1
Description: Door Assembly



Item	QTY	Part NO.	Description
1	1	114173-1	DOOR, OUTER ASSEMBLY, HL/HR SC5/10/10.2
2	1	104202	DOOR, ASSY, INNER, SC5.1

Assembly Number: 114173-1

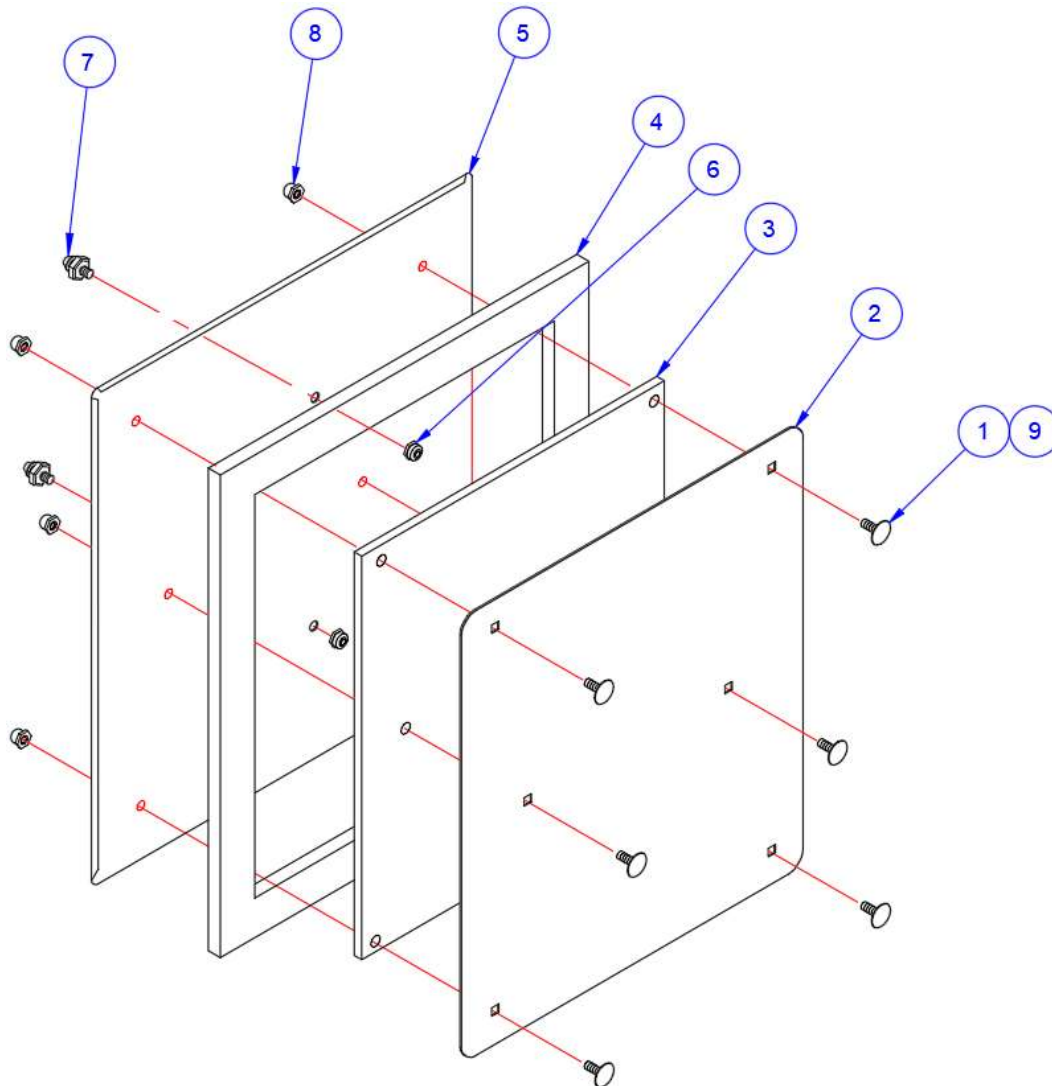
Description: Outer Door Assembly, HL/HR



Item	QTY	Part NO.	Description
1	1	114175-1	DOOR, OUTER, WELD, HL/HR
3	4	101655	WASHER, FLAT, #10, SST
4	4	11000115589	NUT, #10-24, HIGH CROWN ACORN, SST
5	2	102228	SPRING, DOOR, 3/5 PAN
6	4	18357	RIVET, FLUSH BREAK, 0.125 DIA, 0.126/0.187 GRIP, SST
7	2	103641	BUSHING, DOOR HINGE
9	A/R	104146	LOCTITE #222 LOW STRENGTH
10	A/R	00933	SEALANT, RTV, CLEAR
11	1	108879	MAGNET, DOOR STEAM CUTOFF
12	2	111592	SCREW, 8-32 X 1/2 CARRIAGE HEAD, SST
13	4	101336	WASHER, FLAT, #8, SST
14	2	109164	NUT, HEX, ACORN, 8-32, SST, W/ THREAD LOC
15	1	103643	LATCH, DOOR-PADDLE TYPE

Assembly Number: 104202

Description: Inner Door Assembly



Item	QTY	P/N	Description
1	6	104719	SCREW, CARRIAGE, 1/4-20X1, SST
2	1	104021	PLATE, GASKET RETAINER
3	1	104022	PLATE, INNER GASKET RETAINER
4	1	104026	GASKET, DOOR S/C 5.1
5	1	104023	DOOR, INNER PLATE SC 5.1
6	2	14665	NUT, HEX, 1/4-20 LOCK, SST (NYLON INSERT)
7	2	66508	PIN, GUIDE, INNER DOOR
8	6	146771	NUT, ACORN, THRD LOCK, 1/4-20, SST
9	A/R	00933	SEALANT, DOW CORNING 732

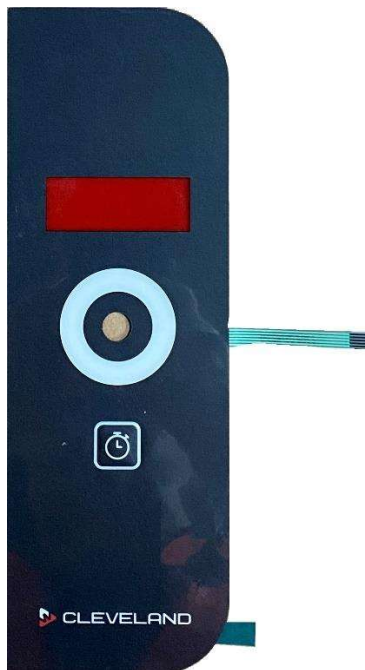
Assembly Number: KE004164
Description: EasyTimer Assembly



KE604176 EasyTimer Control/Timer Knob



KE604517 EasyTimer PCB



KE604518 EasyTimer Overlay



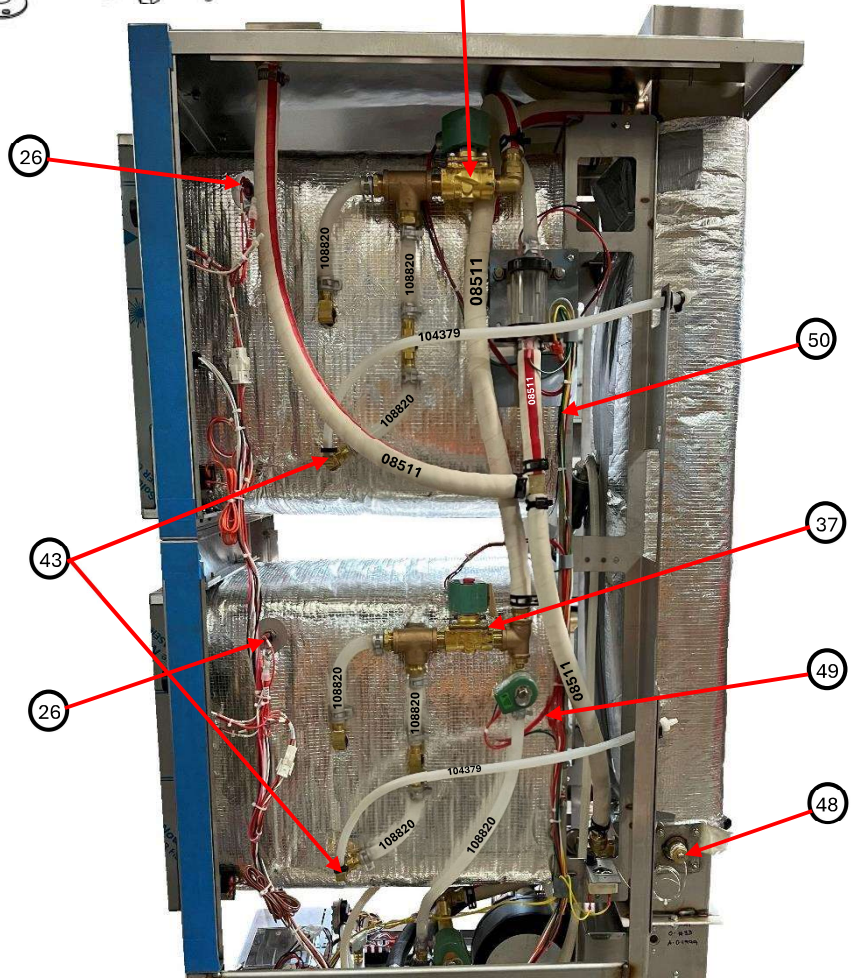
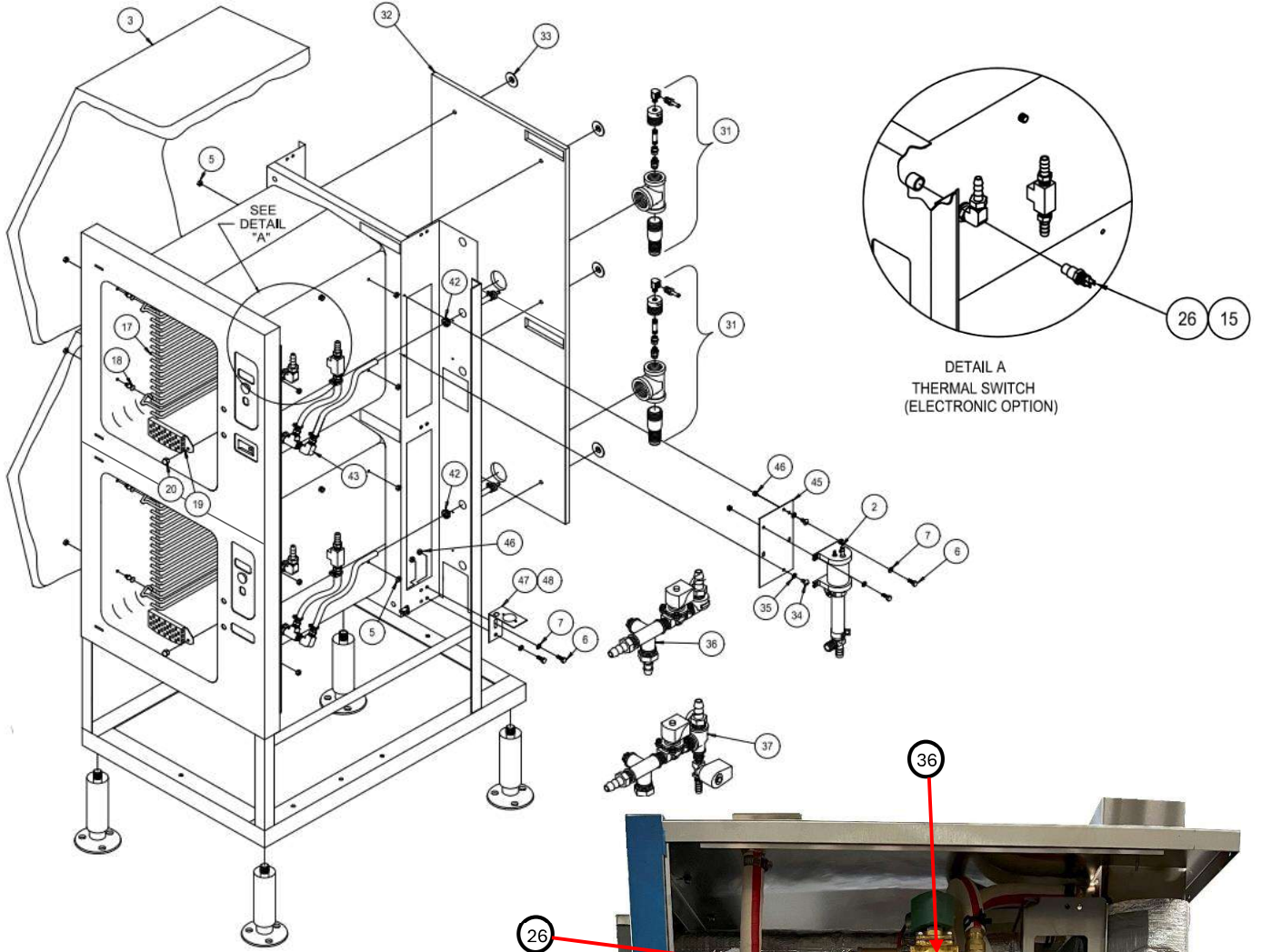
KE604710 EasyTimer Plastic Insert

Assembly Number: KE604650
Description: Power Wiring Harness



Item	QTY	P/N	Description
1	1	WHTKE604650	WIRING HARNESS ASSEMBLY 24CGA10
2	1	19993	SWITCH, ROCKER ILLUMINATED MAINTAINED CONTACT

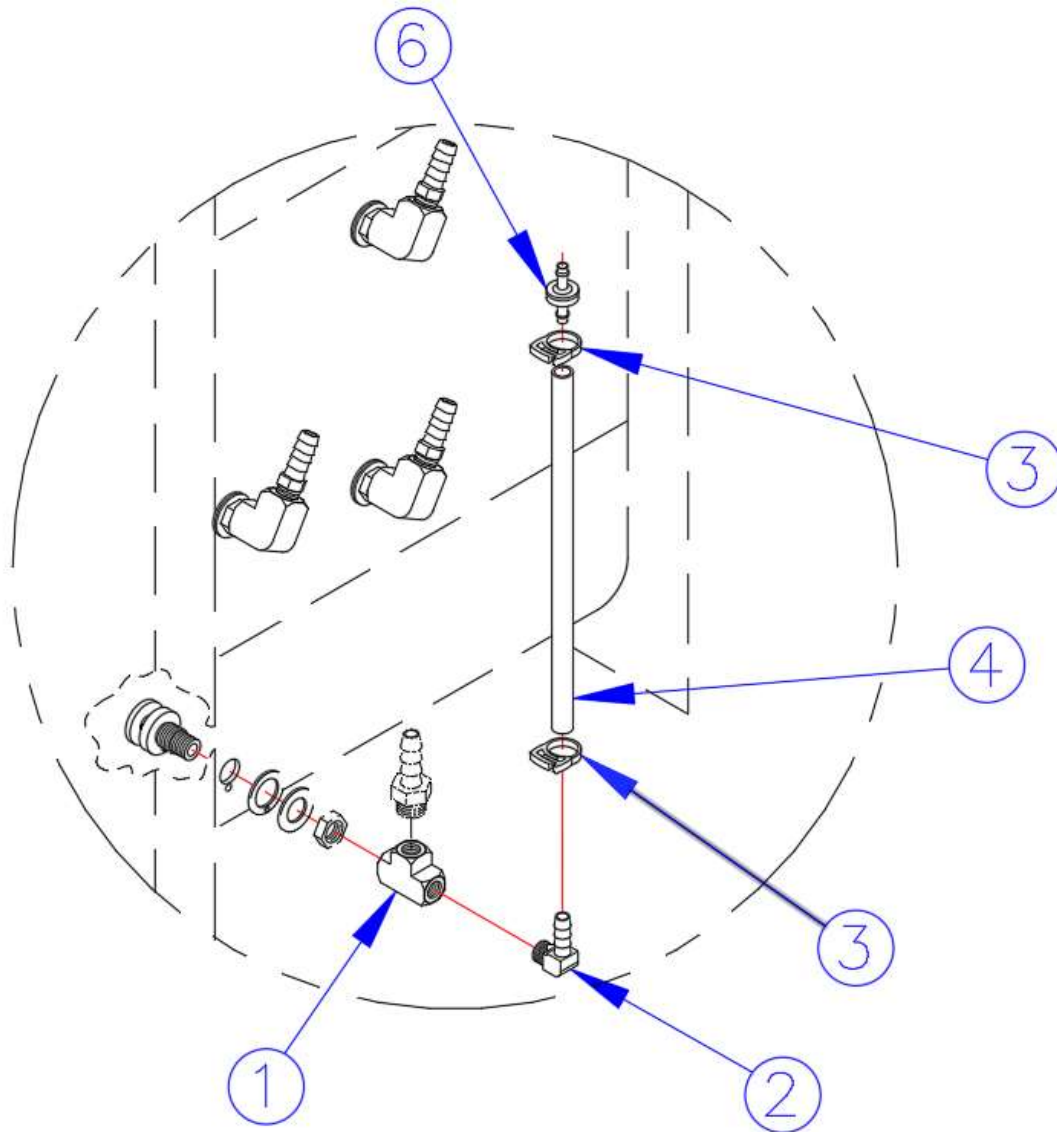
Description: 24CGA10 General Body Assembly 2



Item	QTY	P/N	Description
2	1	106540	PROBE & DESCALER ASSY, SC 10, GAS
3	2	104193	INSULATION, BODY, CUT
5	18	14618	NUT, HEX 1/4-20 SST
6	12	19170	SCREW, HEX HD. 1/4-20 x 5/8 SST
7	18	23116	WASHER, FLAT 1/4 ID x 5/8 OD, SST
15	A/R	00934	SEALANT, PIPE DOPE
17	4	414232	RACK, PAN SLIDE, 18
18	16	101305	PIN, RACK
19	2	69298	SCREEN, COMPARTMENT DRAIN, POLYPROP
20	2	14677	NUT, ACORN
26	2	19972	SWITCH, THERMAL CLOSE
31	2	1061712	DRAIN ASSEMBLY, SC 10
32	2	KE604578-1	INSULATION, REAR WALL
33	10	101953	CLIP, INSULATION RETAINER
34	2	106123	SCREW, TORX/SLOT 10-32 X 1/2
35	2	101655	WASHER, FLAT #10 SST
36	1	113685	STEAM INLET ASSY, UPPER COMPARTMENT
37	1	113686	STEAM INLET ASSY, LOWER COMPARTMENT
42	2	02600	BUSHING, HEYCO
43	2	1070591	BREATHER/SPRAY NOZZLE ASSY (1/2 HOSE)
45	1	107500	PLATE, MOUNTING, PROBE ASSY
46	10	14665	NUT, HEX #1/4-20UNC ELASTIC LOCK
47	1	109008	BRACKET, MTG, HIGH LIMIT SWITCH
48	1	108995	SWITCH, HIGH LIMIT, REST
49	1	WHTKE604629-1	WIRING HARNESS, LOWER, EZ TIMER, 24CGA10
50	1	WHTKE604629-2	WIRING HARNESS, UPPER, EZ TIMER, 24CGA10

Assembly Number: 1070591

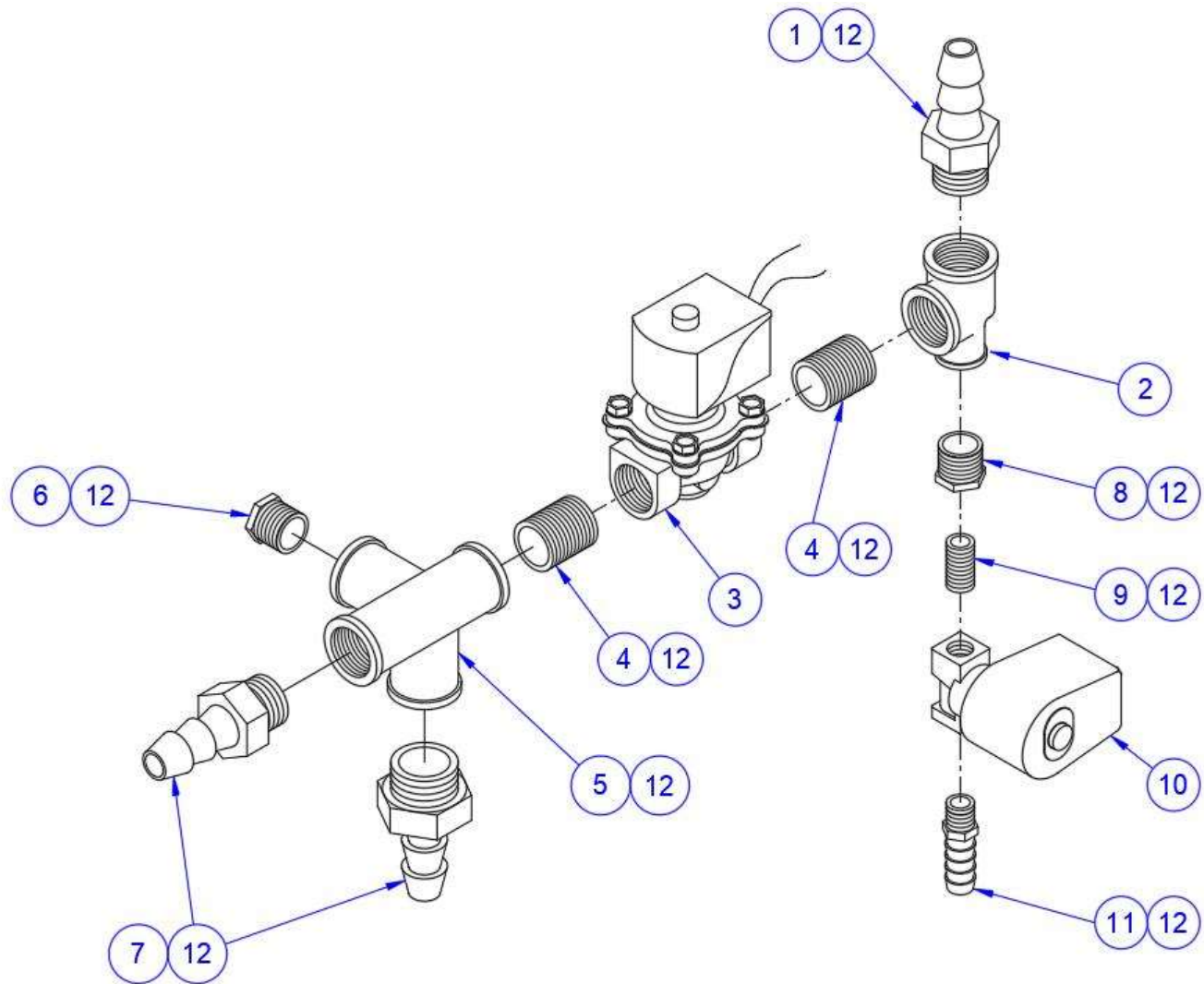
Description: Breather/Spray Nozzle Assembly



Item	QTY	P/N	Description
1	1	20199	TEE, 1/4, BRASS
2	1	105786	FITTING, HOSE BARB, 1/4 H x 1/4 MPT 90 DEG
3	2	104383	CLAMP, HOSE, NYLON
4	1	1043792600	HOSE, SILICONE, 1/4 x 26.000
5	1	20451	TIE, NYLON CABLE
6	1	107032	CHECK VALVE, PLASTIC DIAPHRAGM

Assembly Number: 113686

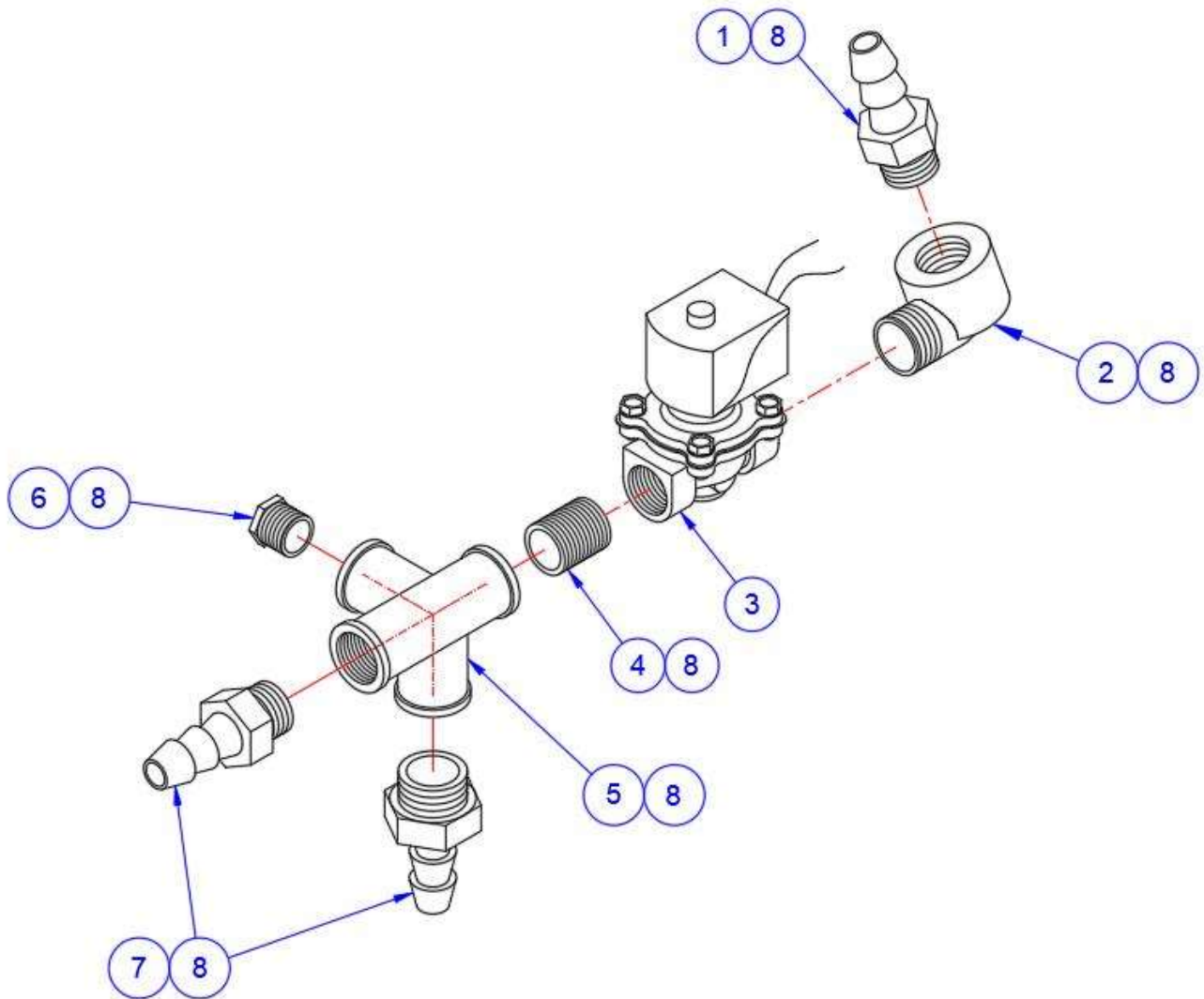
Description: Steam Inlet Assembly, Lower Compartment



Item	QTY	P/N	Description
1	1	06240	FITTING, HOSE BARB, 3/4 H x 3/4 MPT
2	1	20208	TEE, 3/4 - 1/2 - 3/4 BRASS
3	1	22193	VALVE, SOLENOID, 3/4, 120V, 60 HZ
4	2	14342	NIPPLE, 3/4 x CLOSE, BRASS
5	1	100660	TEE, 3/4 SIDE OUTLET
6	1	02563	BUSHING, HEX, 3/4 X 1/4
7	2	06235	FITTING, HOSE BARB 1/2 X 3/4 MPT
8	1	02623	BUSHING, HEX, 1/2 x 1/4, BRASS
9	1	14304	NIPPLE, 1/4 x CLOSE, BRASS
10	1	22199	VALVE, SOLENOID, STEAM, NORM. OPEN
11	1	104048	FITTING, HOSE BARB, 1/2 H x 1/4 MPT
12	A/R	00934	SEALANT, PIPE DOPE

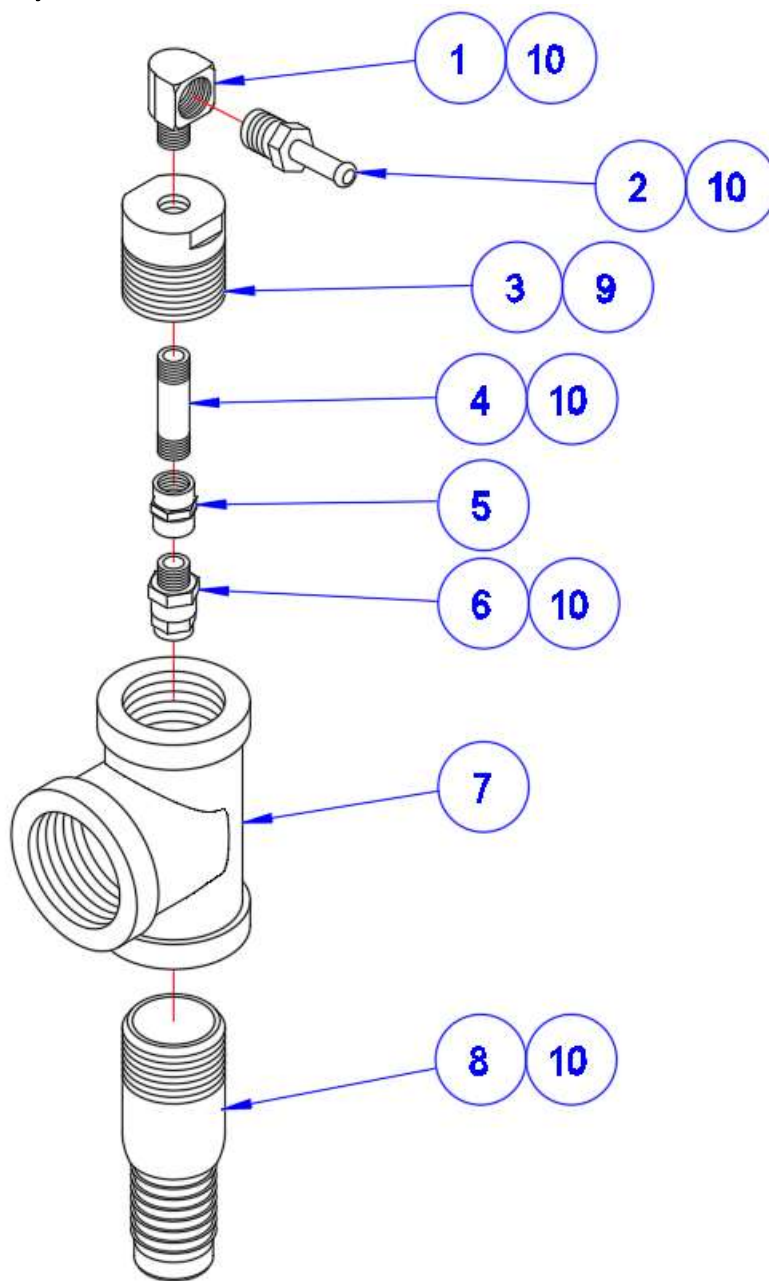
Assembly Number: 113685

Description: Steam Inlet Assembly, Upper Compartment



Item	QTY	P/N	Description
1	1	06240	FITTING, HOSE BARB, 3/4 H x 3/4 MPT
2	1	05231	ELBOW, STREET, 90 DEG, 3/4, BRASS
3	1	22193	VALVE, SOLENOID, 3/4, 120V, 60 HZ
4	1	14342	NIPPLE, 3/4 x CLOSE, BRASS
5	1	100660	TEE, 3/4 SIDE OUTLET
6	1	02563	BUSHING, HEX, 3/4 X 1/4
7	2	06235	FITTING, HOSE BARB 1/2 X 3/4 MPT
8	A/R	00934	SEALANT, PIPE DOPE

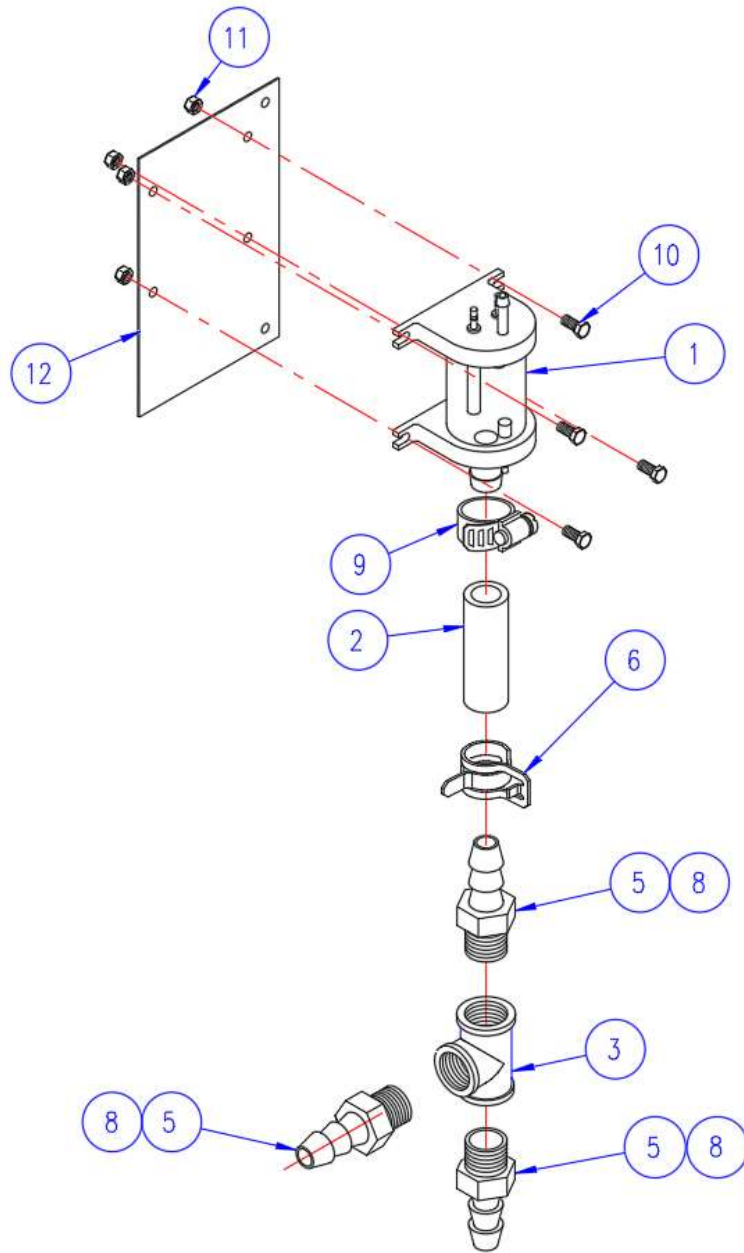
Assembly Number: 1061712
Description: Drain Assembly, SC 10



Item	QTY	P/N	Description
1	1	110779	ELBOW, 90 DEG, 1/8 MPT x 1/4 FPT, BRASS
2	1	109866	FITTING, HOSE BARB, RADIUS TIP, 1/4 HOSE
3	1	06230	FITTING, COMPARTMENT DRAIN
4	1	14297	NIPPLE, 1/8 X 1-1/2, BRASS
5	1	104838	COUPLING, FULL 1/8, BRASS
6	1	14555	NOZZLE, SPRAY, 1/8 FULL JET
7	1	105783	TEE, 1 X 1 X 1-1/4, BLACK
8	1	14481	FITTING, HOSE 1 INCH X 1-11 1/2 MPT
9	A/R	00946	TAPE TEFLON 1/2"
10	A/R	00934	SEALANT, PIPE DOPE, ONE PINT CAN

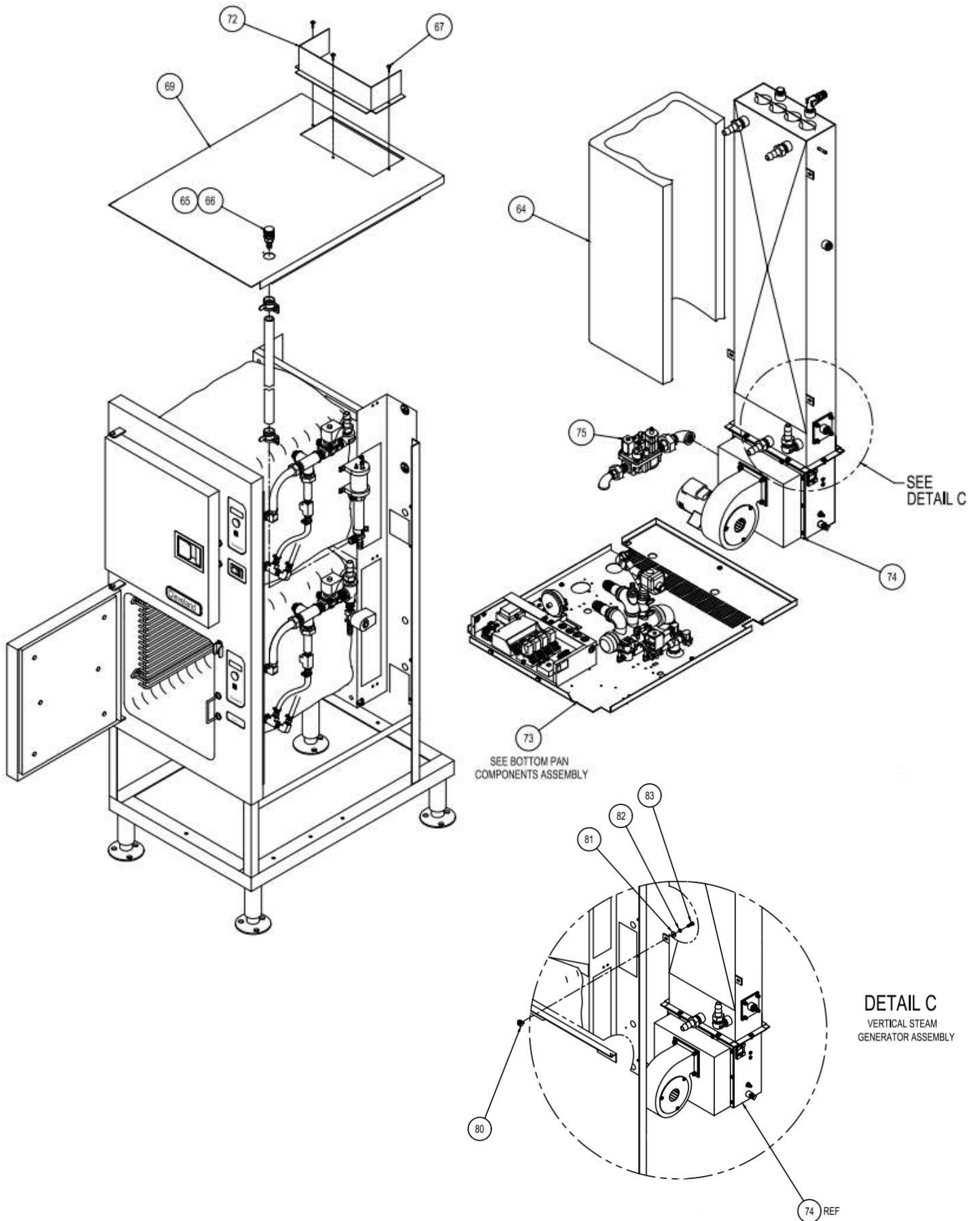
Assembly Number: 106540

Description: Probe & Descaler Assy, SC 10, Gas



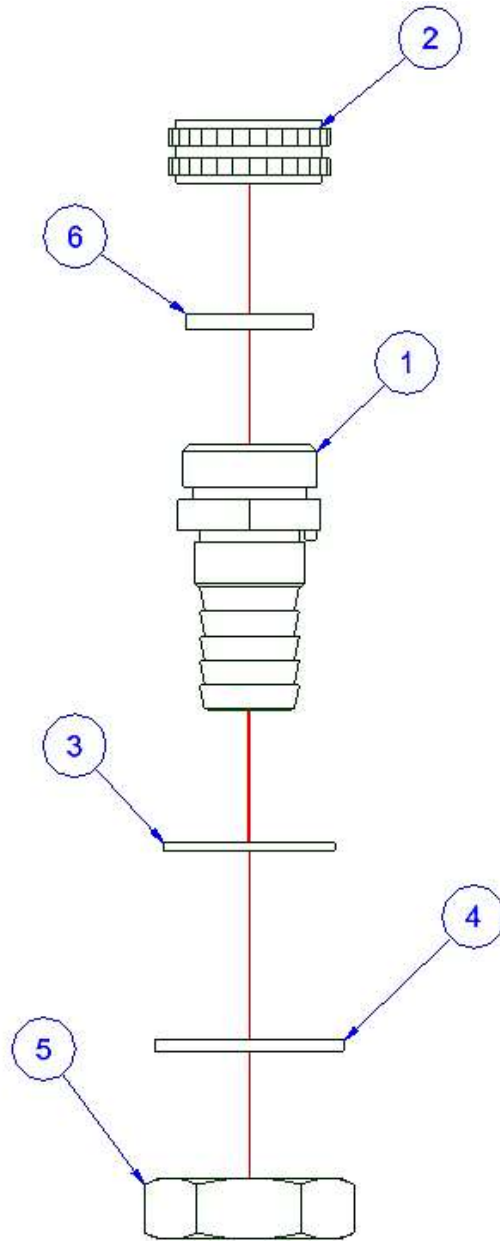
Item	QTY	P/N	Description
1	1	107239	HOUSING, PROBE, WATER LEVEL CONTROL
2	1	085110500	HOSE, EPDM, 3/4 ID X 5.000 LG
3	1	20206	TEE, 3/4, BRASS
5	3	06240	FITTING, HOSE BARB, 3/4 T X 3/4
6	1	107312	CLAMP, HOSE, TENSION, 1-1/8 OD HOSE
8	A/R	00934	SEALANT, PIPE DOPE
9	1	03204	CLAMP, HOSE, WORM DRIVE, 0.812 TO 1.500 DIA
10	-	19170	SCREW, HEX HD, #1/4-20 X 5/8 LG
11	-	14665	NUT, HEX, #1/4-20, ELASTIC LOCK
12	-	107500	PLATE, MOUNTING, PROBE ASSY

Description: 24CGA10 General Body Assembly 3



Item	QTY	P/N	Description
64	1	106530	INSULATION, 39 x 35 x 1-1/2
65	A/R	00933	SEALANT, RTV
66	1	109641	PORT ASSEMBLY, DESCALER
67	11	104080	SCREW, TRUSS HD SHT MET #8 x 1/2
69	1	105666	PANEL, TOP, SC 10 GAS
72	1	105802	HOOD, GAS VENT
73	-	-	BOTTOM PAN COMPONENTS ASSEMBLY
74	1	105949	VERTICAL STEAM GENERATOR ASSY
75	-	105907 1059071	GAS VALVE ASSY, STEAMCRAFT 10, NG GAS VALVE ASSY, STEAMCRAFT 10, LP
80	4	106033	NUT, TINNERMAN
81	4	102513	WASHER, FLAT 0.312 x 0.750 x 0.080
82	4	23105	WASHER, LOCK 1/4-20 SST
83	4	19175	SCREW, HEX HEAD 1/4-20 x 1-1/2

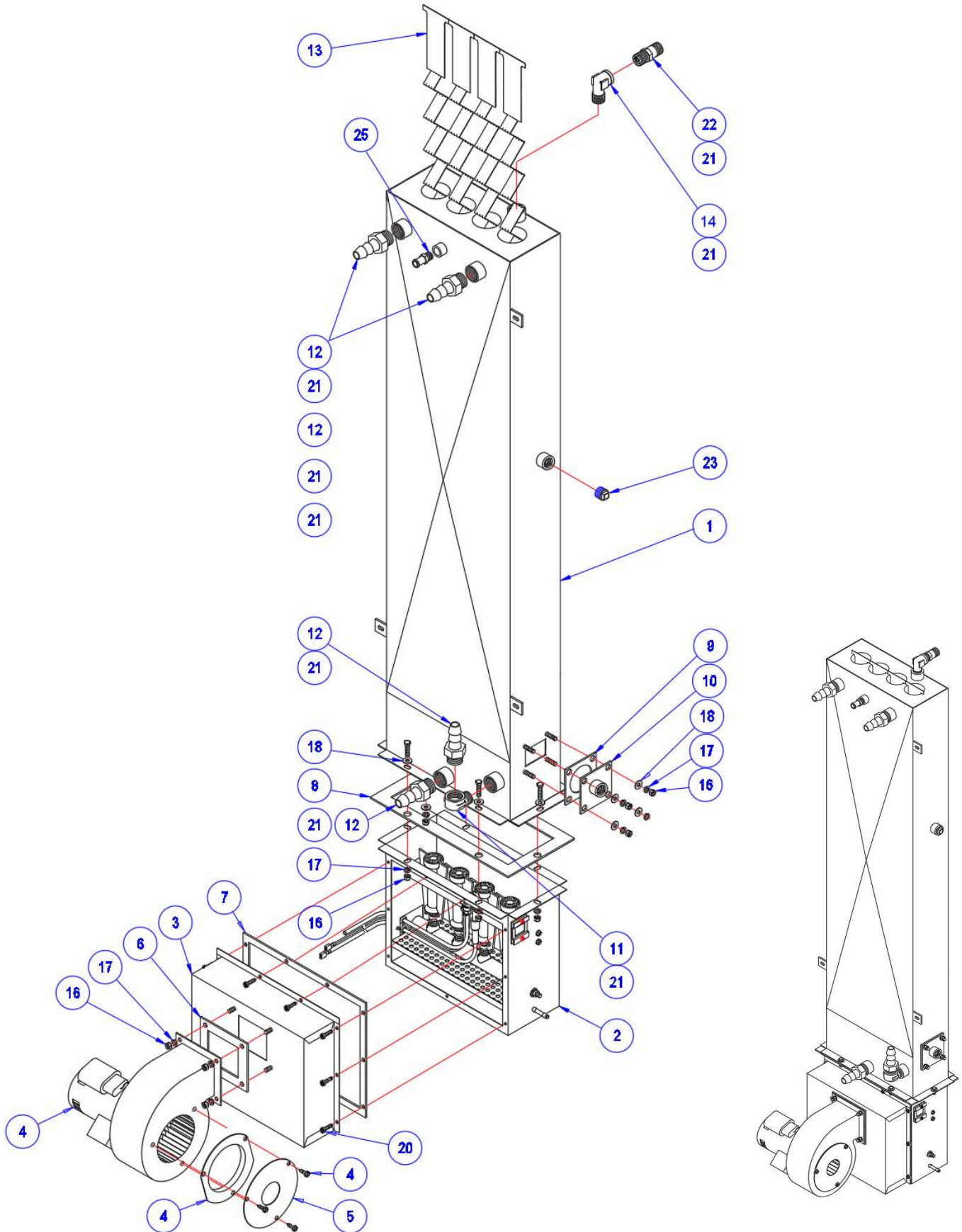
Assembly Number: 109641
Description: Port Assembly, Descaler



Item	QTY	P/N	Description
1	1	109642	FTG., DESCALER PORT
2	1	108031	CAP, HOSE NUT 3/4" HOSE THD.
3	1	109646	GASKET, DESCALER PORT
4	1	109645	WASHER, FLAT 0.890 ID X 1.500 OD X 0.090 THK, SST
5	1	109644	NUT, HEX JAM 7/8-14, BRASS
6	1	108034	WASHER, 3/4" HOSE

Assembly Number: 105949

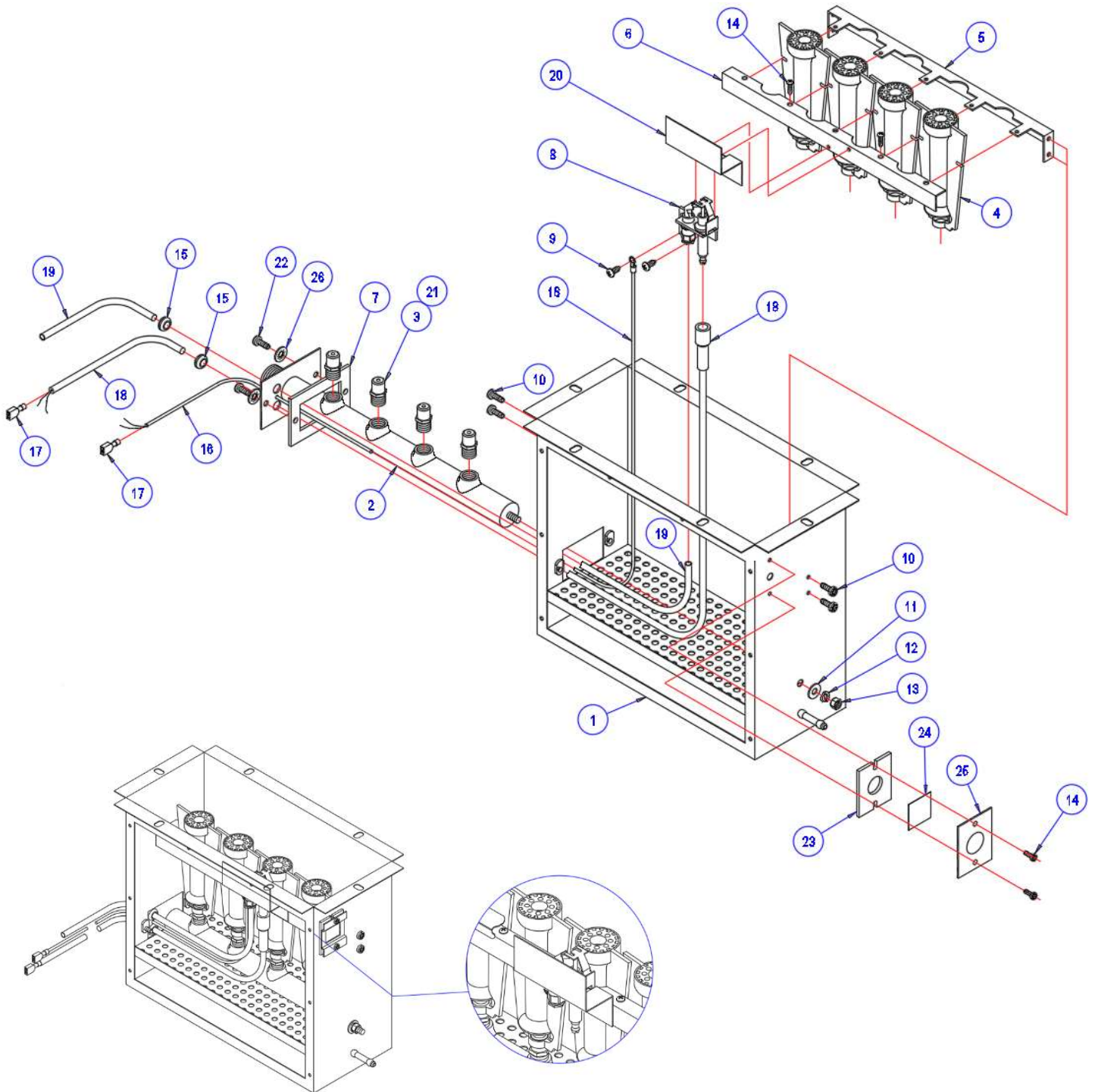
Description: Vertical Steam Generator Assembly



Item	QTY	P/N	Description
1	1	105711	STEAM GENERATOR ASSEMBLY, WELDMENT
2	1	260AXH	BURNER BOX ASSEMBLY, NATURAL GAS
3	1	105742	CHAMFER, AIR DISTRIBUTION ASSEMBLY
4	1	105695	BLOWER ASSY, 200CFM
5	1	105735	ORIFICE, BLOWER INLET
6	1	105928	GASKET, FAN MOUNT
7	1	105927	GASKET, BURNER BOX
8	1	105926	GASKET, BOILER MOUNT
9	1	07128	GASKET, 3,000 FLANGE, HEATER/BLOCKOFF PLATE
10	1	109002	ASSY, HI LIMIT BLOCKOFF PLATE WELDMENT
11	1	05231	ELBOW, STREET, 90 DEG, 3/4, BRASS
12	4	06240	FITTING, HOSE BARB, 3/4 TUBE x 3/4 MPT
13	4	105730	BAFFLE ASSEMBLY, COMBUSTION
14	1	05253	ELBOW, STREET 90 DEG, X 1/2 BRASS
16	14	14618	NUT, HEX, 1/4-20, SST
17	14	23105	WASHER, SPLIT LOCK, 1/4, SST
18	10	23116	WASHER, FLAT, 1/4 X 5/8 SST
19	6	107277	SCREW, HEX HD, 1/4-20 x 0.875, SST
20	8	109706	SCREW, 8-32, PHILLIPS, PAN HD, 1/2 LG, SST
21	A/R	00934	SEALANT, PIPE DOPE
22	1	105575	VALVE, 5 PSI RELIEF, 1/2 NPT, BRASS
23	1	16618	PLUG, 3/8 PIPE, SQ HD BRASS
24	A/R	00933	SEALANT, RTV
25	1	108207	FTG; HOSE BARB; 1/2 H X 3/8 NPT

Assembly Number: 260AXH

Description: Burner Box Assembly, NAT/LP Gas, 24CGA10

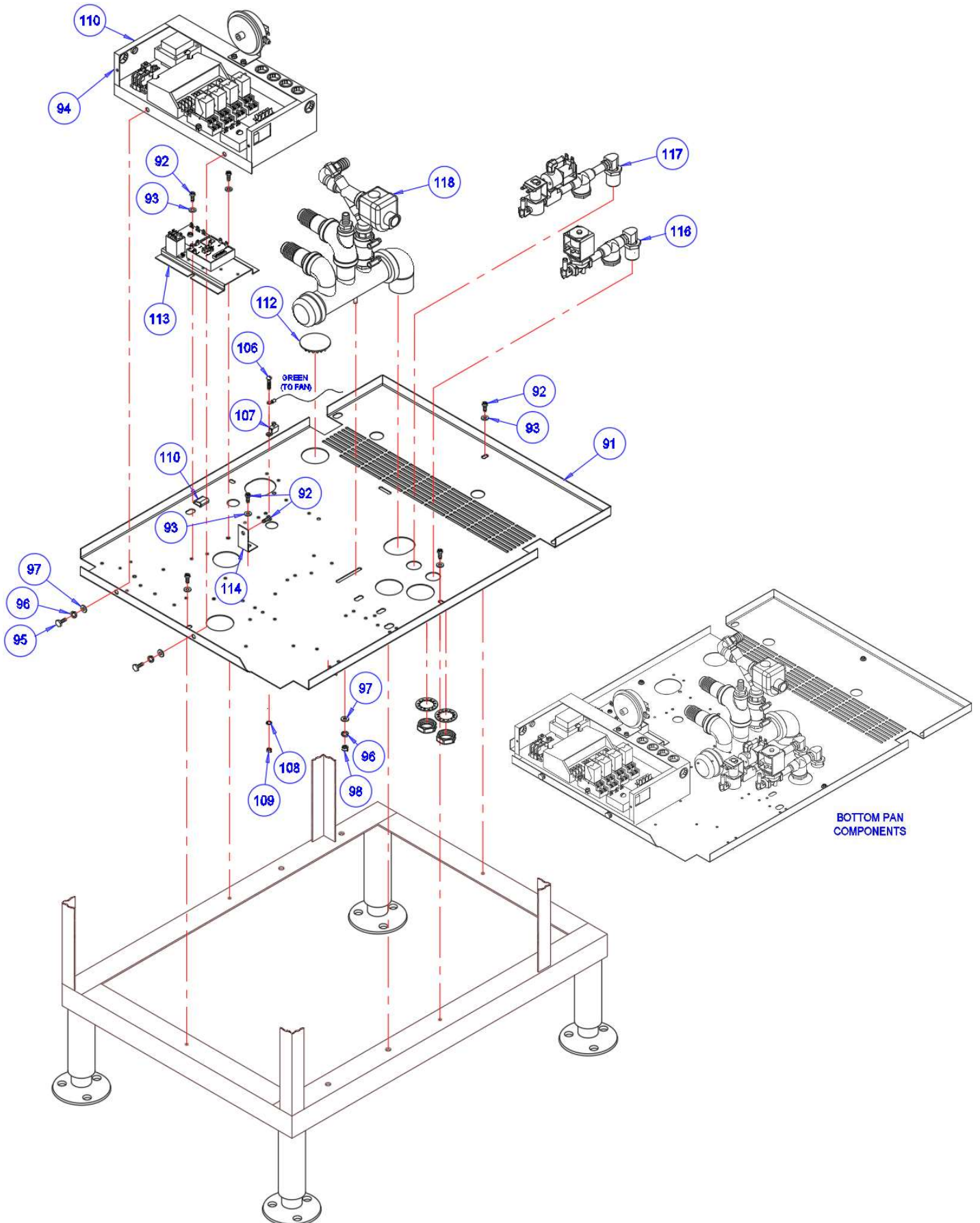


Item	QTY	P/N	Description
1	1	105872	BURNER AIR BOX, WELD ASSEMBLY
2	1	105950	MANIFOLD ASSY, GAS, 125,000 BTU BOILER
3	-	-	ORIFICE (SEE ORIFICE CHART).
4	4	105781	BURNER, INSHOT, 30,000 BTU
5	1	105728	BRACKET, BURNER SUPPORT
6	1	105727	BRACKET, BURNER CLAMPING
7	1	105940	GASKET, GAS MANIFOLD
8	1	105784	PILOT ASSEMBLY NAT., USED WITH NATURAL GAS UNITS
	1	1057841	PILOT ASSEMBLY LP., USED WITH PROPANE UNITS
9	2	106126	SCREW, PAN HEAD, TORX/SLOT, #8-32 x 0.500 LG
10	4	106123	SCREW, TORX/SLOT PAN HD. #10-32 x 0.500
11	1	23116	WASHER, FLAT, 0.281 I.D. x 0.625 O.D., SST
12	1	23105	WASHER, SPLIT LOCK, 0.250 SST
13	1	14618	NUT, HEX, 1/4-20, SST
14	4	106754	SCREW, HEX WASH HEAD, #6-32 x 0.75
15	2	106129	GROMMET, RUBBER, 0.250 O.D
16	1	1061455000	WIRE ASSEMBLY, 18 GA., 50.000 LG
17	2	20356	TERMINAL, SLIPON, FULL INSULATION
18	1	1061445000	CABLE, IGNITION ASSEMBLY, 50.000 LG
19	1	105984	TUBE, FORMED, PILOT TO VALVE
20	1	106412	BAFFLE, PILOT
21	A/R	00934	SEALANT, PIPE DOPE
22	2	19287	SCREW, PAN HD, #10-24 x 0.500, SST
23	1	1084631	GASKET, VIEWPORT, GAS SC10
24	1	108463	WINDOW, VIEWPORT, GAS SC10
25	1	1084632	FRAME, VIEWPORT, GAS SC10
26	2	23114	WASHER, #10 INTERNAL TOOTH

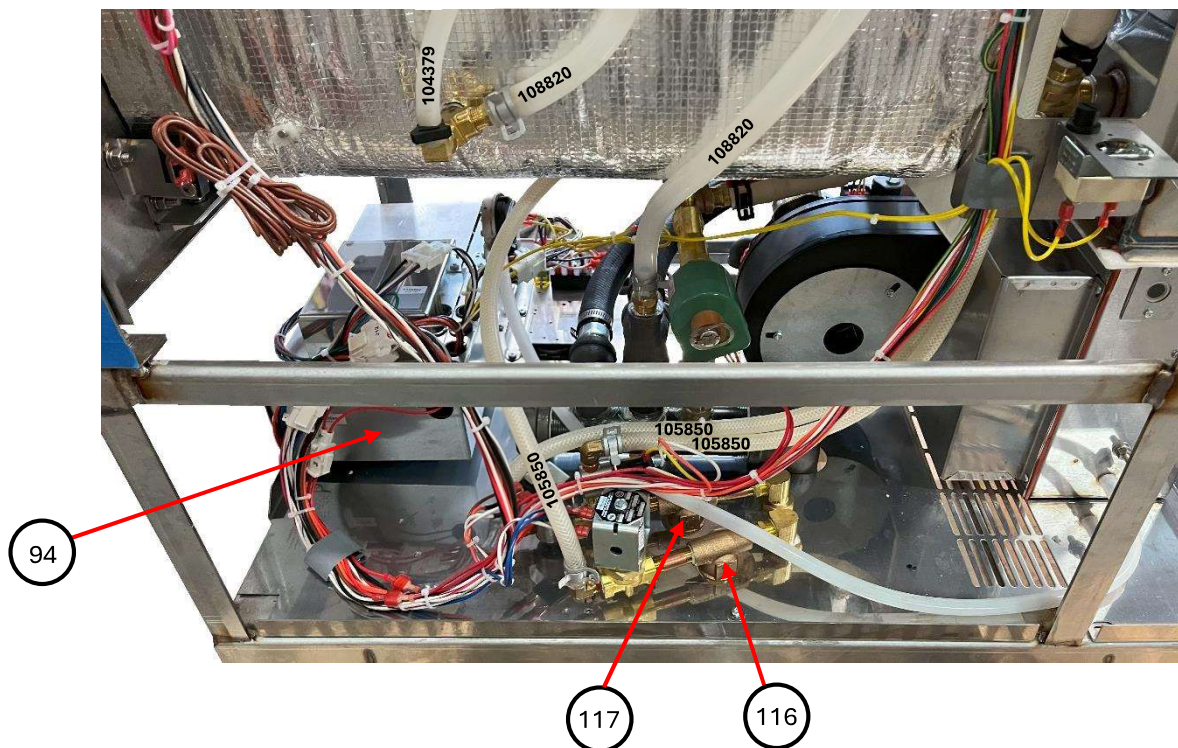
ORIFICE CHART NATURAL GAS (REF)			
Altitude	QTY	P/N	Description
0-1999'	4	1109312	ORIFICE, #32 DMS, VER GEN
2000-3999'	4	110935	ORIFICE, #33 DMS, VER GEN
4000-5999'	4	110936	ORIFICE, #35 DMS, VER GEN
6000-6999'	4	110937	ORIFICE, #36 DMS, VER GEN
7000-8999'	4	110938	ORIFICE, #37 DMS, VER GEN
9000-9999'	4	110940	ORIFICE, #38 DMS, VER GEN
10,000-11,000	4	110941	ORIFICE, #40 DMS, VER GEN

ORIFICE CHART LP GAS (REF)			
Altitude	QTY	P/N	Description
0-2999'	4	110952	ORIFICE, #52 DMS, VER GEN
3000-7999'	4	110953	ORIFICE, #53 DMS, VER GEN
8000-11,000'	4	110954	ORIFICE, #54 DMS, VER GEN

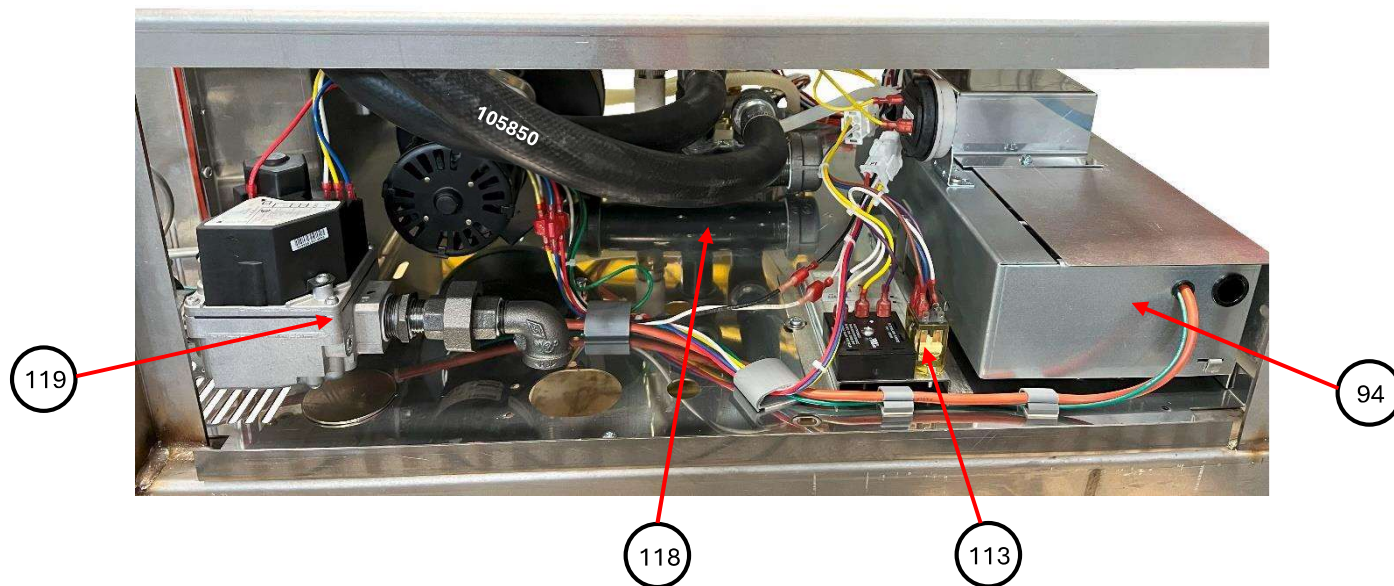
Description: Bottom Pan Components Assembly



**Description: Bottom Pan Components Assembly (Continued)
Right Side – Lower Section**



Left Side – Lower Section

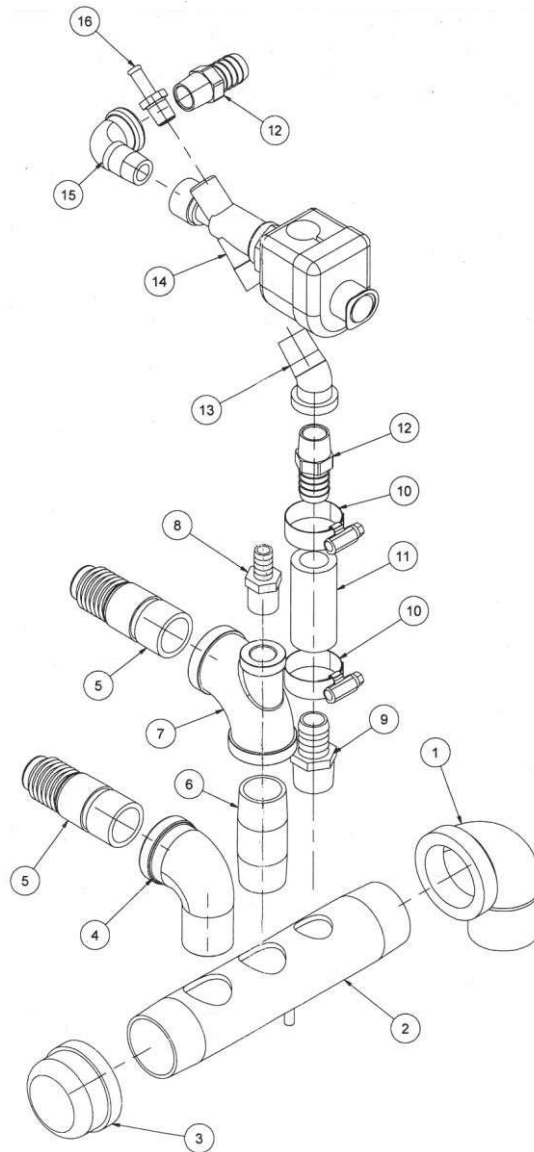


Hose	Description	Clamp	Description
08511	HOSE, WHITE, EPDM, 3/4" ID	107312	CLAMP, HOSE, METAL TENSION BAND, 1-1/8" OD, BLACK
105850	HOSE, POLY REINFORCED, 1/4" ID x 1/2" OD	1073121	CLAMP, HOSE, METAL TENSION BAND, 1/4" ID, SILVER
104379	HOSE, SILICON, RUBBER, 1/4" ID	104383	CLAMP, HOSE, NYLON, 1/2"
108820	HOSE, SILICON, 1/2" ID x 1/8" WALL	1073122	CLAMP, HOSE, METAL TENSION BAND, 3/4" OD, SILVER

Item	QTY	P/N	Description
91	1	105667	PAN, BOTTOM, STEAMCRAFT 10
92	7	106123	SCREW, TORX/SLOT 10-32 x 1/2
93	7	101655	WASHER, FLAT #10, SST
94	1	105902	ELECTRIC BOX ASSY., SC 10, GAS
95	2	19170	SCREW, HEX HD. 1/4-20 x 5/8, SST
96	3	23105	WASHER, SPLIT LOCK, 1/4, SST
97	3	23116	WASHER, FLAT, 1/4, SST
98	1	14618	NUT, HEX, 1/4-20, SST
106	1	19287	SCREW, RD HD SLTD, #10-24 x 1/2
107	1	20304	LUG, GROUND, SOLDERLESS
108	1	23114	WASHER, LOCK, INT. TOOTH#10
109	1	14659	NUT, HEX 10-24, SST
110	2	234321	CLIP, MOUNTING, WIRE/CABLE .750 x .750
111	A/R	00934	SEALANT, PIPE DOPE
112	2	107063	PLUG, SNAP, STEEL, FOR 2DIA. HOLE
113	1	107043	HEAT STANDBY, ULTRA 10 GAS
114	1	105955	BRACKET, CONTROL MOUNT, GAS
116	1	11000115804	CONDENSER VALVE ASSY. STEAMCRAFT 10 GAS
117	1	11000115803	WATER FILL VALVE ASSY. STEAMCRAFT 10 GAS
118	1	11000115802	DRAIN MANIFOLD ASSY, STEAMCRAFT 10 GAS
119	1	105907	GAS VALVE (NAT)
		1059071	GAS VALVE (LP)

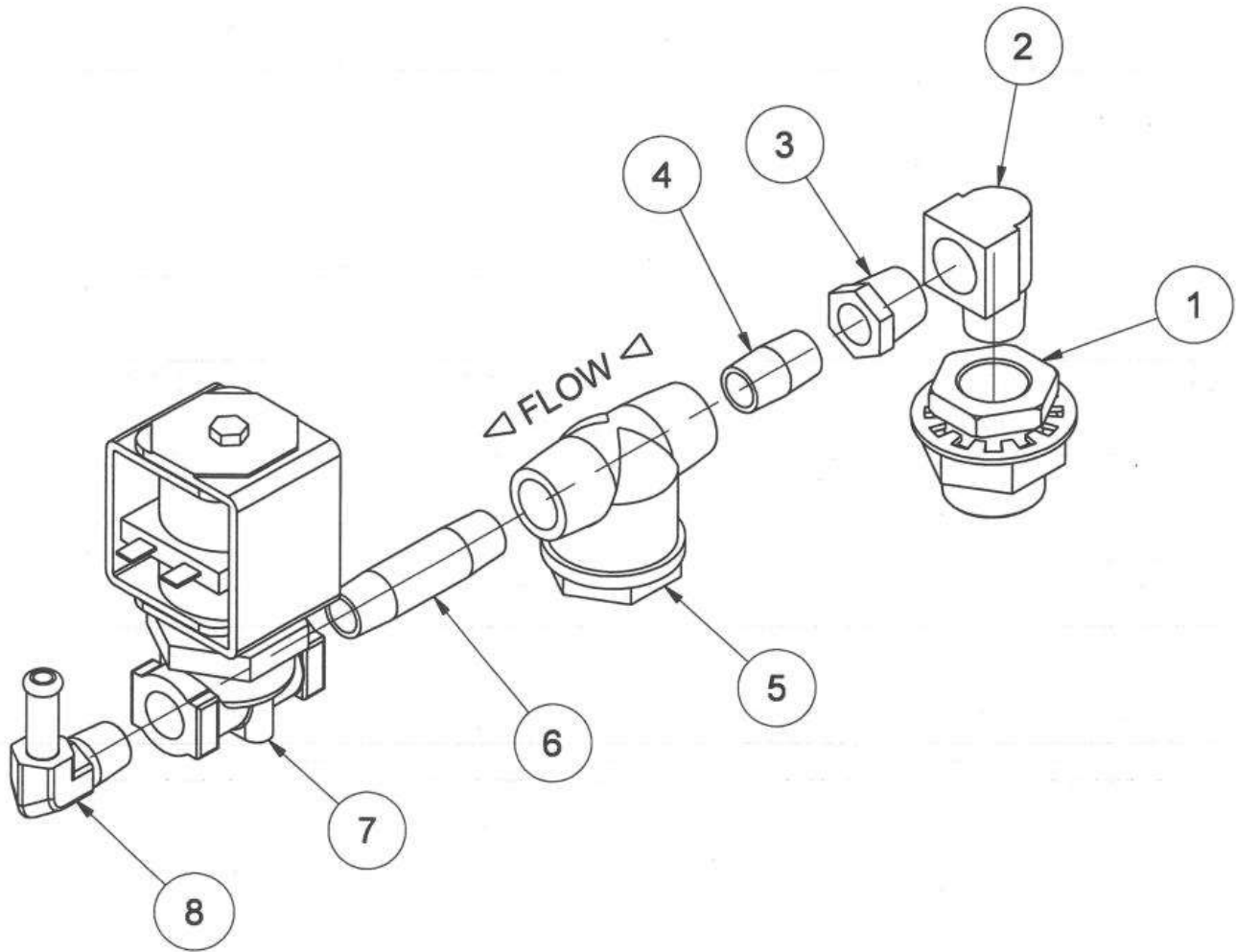
Assembly Number: 11000115802

Description: Drain Manifold Assembly



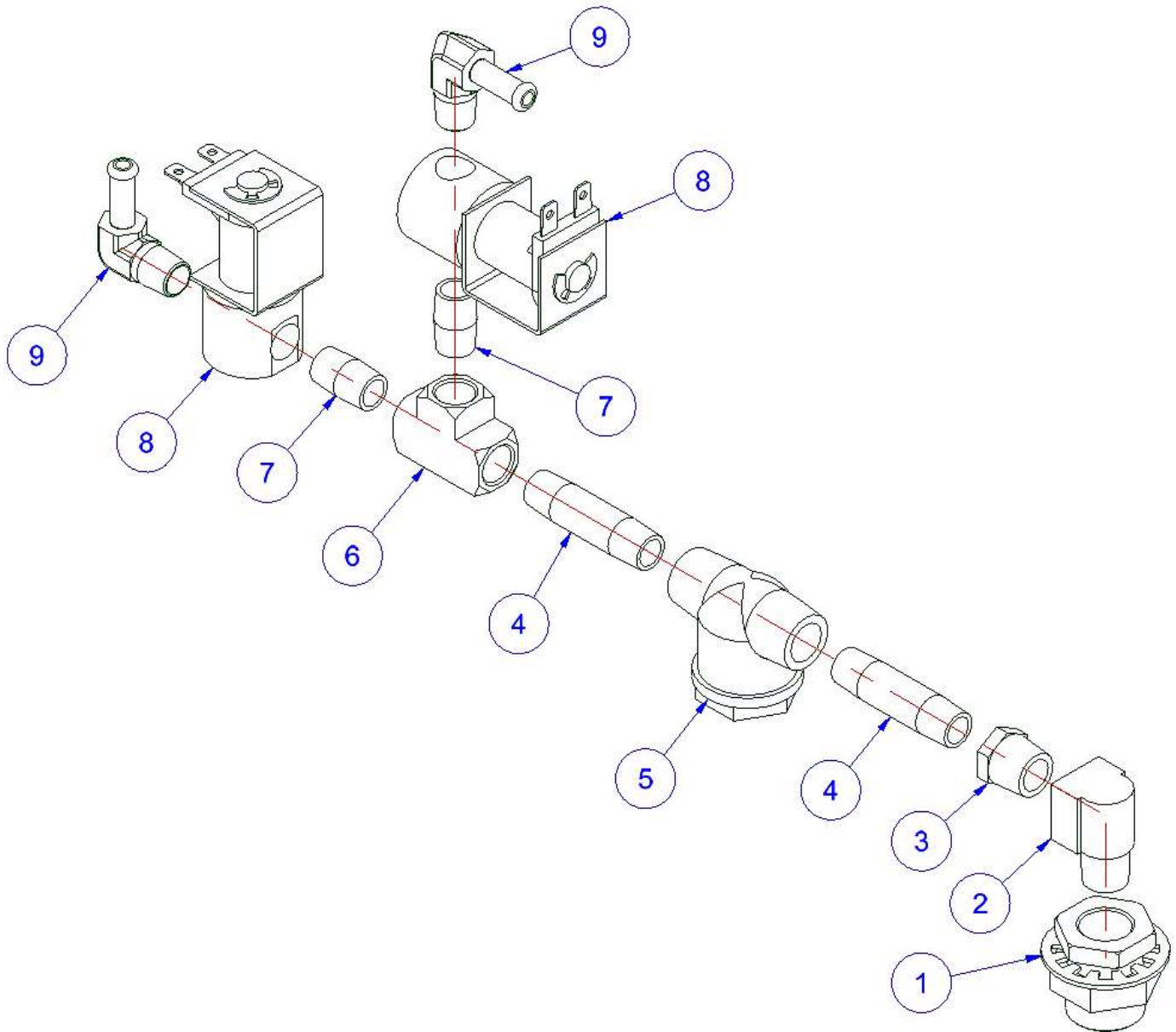
Item	QTY	P/N	Description
1	1	05292	ELBOW, STREET, 90 DEG, 1-1/2, BLACK
2	1	132521	MANIFOLD, ASSY, DRAIN, STUD LOCATION
3	1	03058	CAP; PIPE; 1-1/2 IN; BLACK
4	1	105540	ELBOW, STREET, 90, 1 BLACK
5	2	14481	FITTING, HOSE BARB, 1 H x 1 MPT
6	1	14373	NIPPLE, 1 x 3, BLACK
7	1	100223	TEE, 1 X 1/2 X 1, BLACK
8	1	06237	FITTING, HOSE BARB, 1/2 x 1/2 MPT
9	1	06240	FTG, HOSE BARB, 3/4 X 3/4 MPT
10	2	03204	CLAMP, HOSE, WORM DRIVE 0.812 X 1.50 DIA
11	1	085110250	HOSE, WHITE EPDM, 3/4"ID X 2.500" LG
12	2	06241	FTG, HOSE BARB, 3/4H x 1/2MPT, BR.
13	1	05223	ELBOW, STREET, 45 DEG, 1/2" NPT, BRASS
14	1	22221	VALVE, SOLENOID, 1/2" DRAIN, 18IN LEAD
15	1	05253	ELBOW, STREET, 90 DEG, 1/2 NPT, BRASS
16	1	109866	TUBE FITTING, RADIUS TIP (FOR 1/4" I.D. HOSE)
17	A/R	00934	SEALANT, PIPE DOPE

Assembly Number: 11000115803
Description: Water Fill Valve Assembly



Item	QTY	P/N	Description
1	1	105794	FITTING, BULKHEAD, 3/8 NPT X 3/8 NPT
2	1	05280	ELBOW STREET 3/8 IN BRASS
3	1	02594	BUSHING, HEX, 3/8 x 1/4, BRASS
4	1	14304	NIPPLE .25NPTF, CLOSE, BRASS
5	1	19870	STRAINER, 1/4 IN WATTS V #27, 40 MESH SCREEN
6	1	14476	NIPPLE .25NPT X 2.00, SCH 40, BRASS TBE
7	1	222231	VALVE, SOLENOID, 1/4, NPT, SPADE TERMINAL, 120V
8	1	111289	FITTING, ELBOW, 90 1/4" HOSE X 1/4" NPT MALE
9	A/R	00934	SEALANT, PIPE DOPE

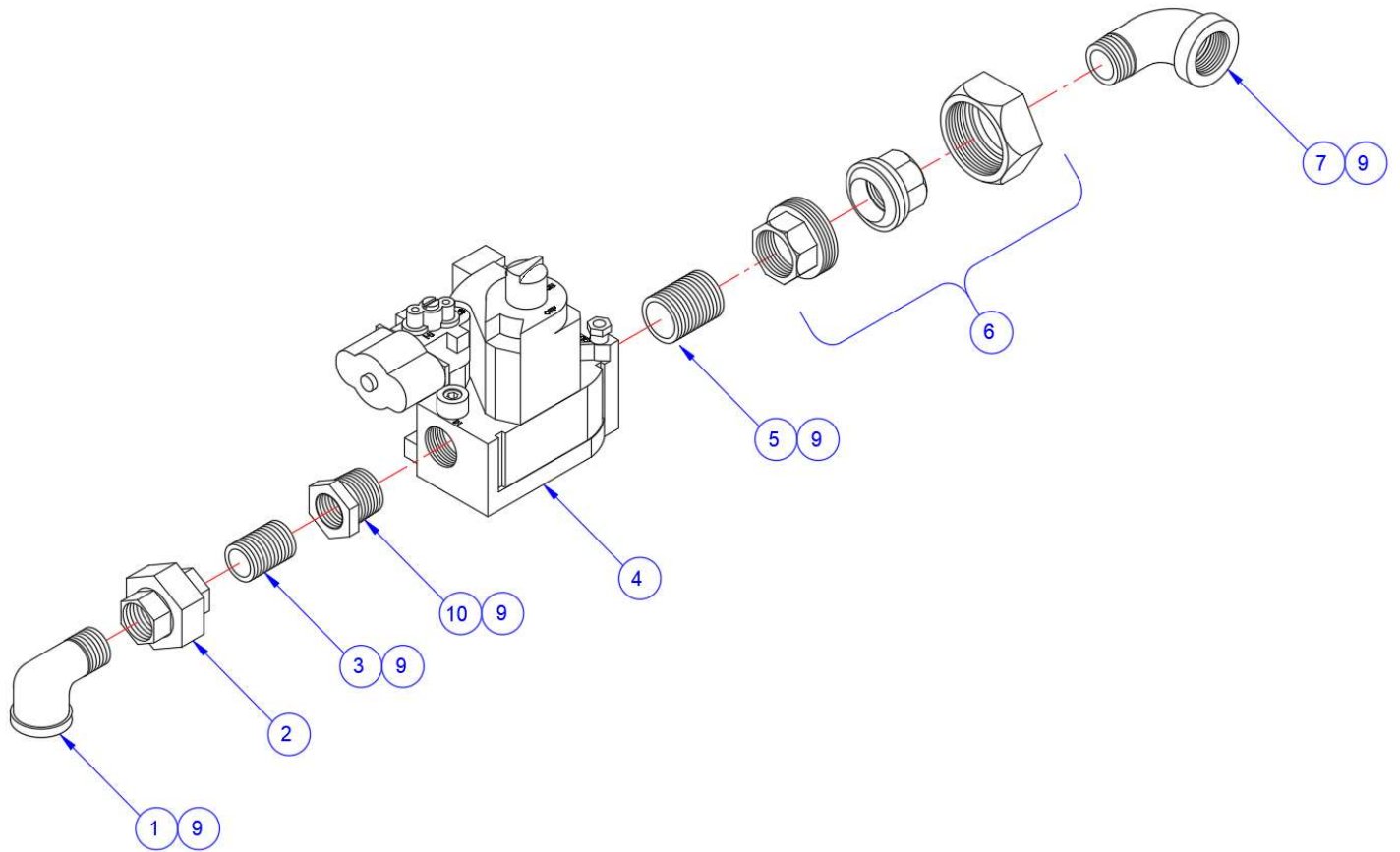
Assembly Number: 11100115804
Description: Condenser Valve Assembly



Item	QTY	P/N	Description
1	1	105794	FITTING, BULKHEAD, 3/8 NPT X 3/8 NPT
2	1	05280	ELBOW STREET 3/8 IN BRASS
3	1	02594	BUSHING, HEX, 3/8 x 1/4, BRASS
4	2	14476	NIPPLE .25NPT X 2.00, SCH 40, BRASS TBE
5	1	19870	STRAINER, 1/4 IN WATTS V #27, 40 MESH SCREEN
6	1	20199	TEE, 1/4", BRASS
7	2	14304	NIPPLE .25NPTF, CLOSE, BRASS
8	2	22218	VALVE, SOLENOID, 1/4" NORM, 120 VOL
9	2	111289	FITTING, ELBOW, 90 1/4" HOSE X 1/4" NPT MALE
10	A/R	00934	SEALANT, PIPE DOPE

Assembly Number: 105907 (NAT) & 1059071 (LP)

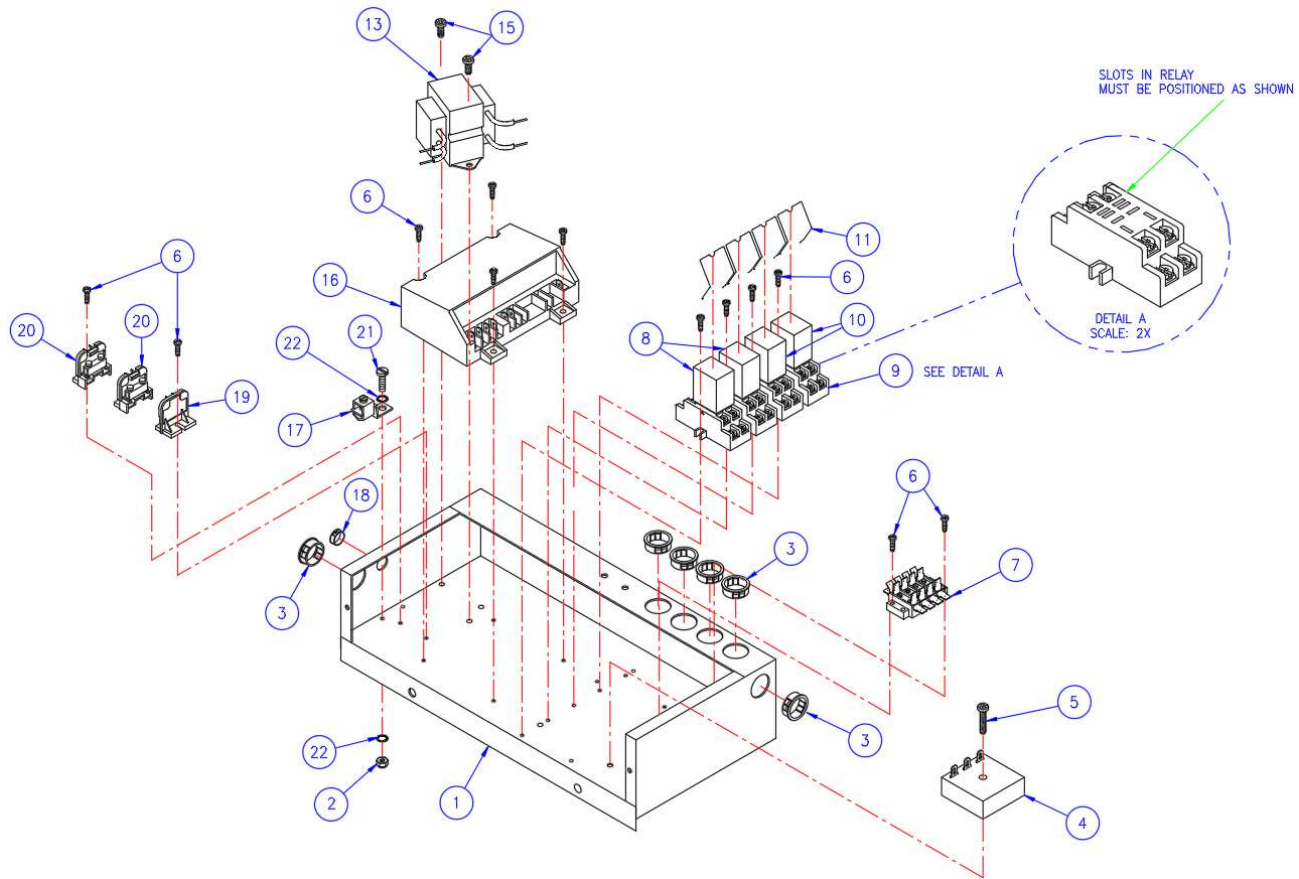
Description: Gas Valve Assembly



Item	QTY	P/N	Description
1	1	05252	ELBOW, STREET, 90°, 1/2 BLACK
2	1	21302	UNION, 1/2, BLACK
3	1	14323	NIPPLE, 1/2 x CLOSE, BLACK
4	1	113048	VALVE, GAS, NATURAL, INTERMITTANT PILOT, 2-STAGE
5	1	14343	NIPPLE, 3/4 x CLOSE, BLACK
6	1	21305	UNION, 3/4, BLACK
7	1	05259	ELBOW, STREET, 90 DEG., 3/4 IN, BLACK
9	A/R	003934	SEALANT, RECTORSEAL #5
10	1	02565	BUSHING, HEX, 3/4 X 1/2, BLACK
11	1	300746	HARNESS, EXTENSION, GAS VALVE, SC10

Assembly Number: 105902

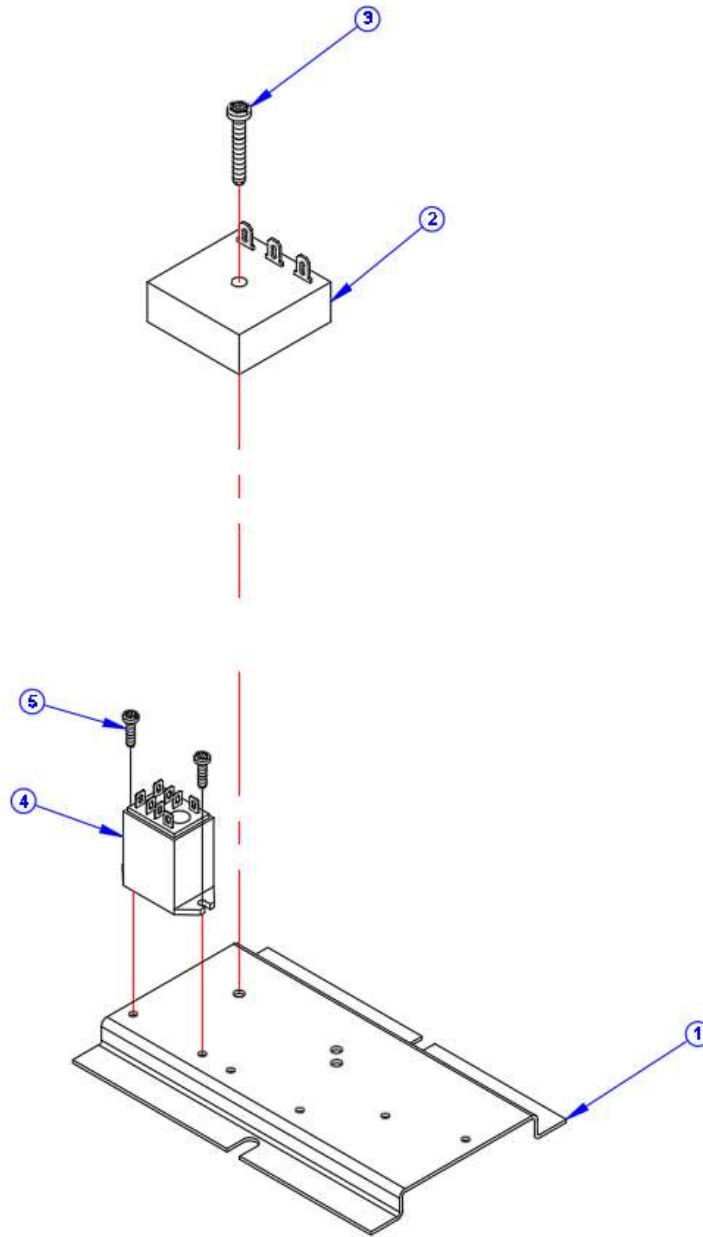
Description: Electric Box Assembly



Item	QTY	P/N	Description
1	1	105517	BOX, ELEC, WELDMENT
2	1	14672	NUT, HEX LOCK ELASTIC, 10-32
3	6	02600	BUSHING, INSULATOR, HEYCO
4	1	20478	INTERVAL TIMER, 180 SEC.
5	1	106124	SCREW, SLTD TORX, #10-32 X 1.000
6	12	106127	SCREW, SLTD TORX, #6-32 X .500
7	1	105990	TERMINAL BLOCK ASSY, 4 POLE
8	2	03524	RELAY, 120V
9	4	03525	SOCKET, RELAY
10	2	105785	RELAY, 24V, COIL, DPDT
11	4	105044	CLIP, WIRE, RELAY
13	1	20528	TRANSFORMER, 24 VOLT
15	2	106123	SCREW, SLTD TORX, #10-32 X .500
16	1	105693	SPARK IGNITION CONTROL MODULE
17	1	20304	GROUND LUG
18	1	02616	BUSHING, INSULATOR, HEYCP
19	1	20302	TERMINAL, END SECTION, MARATHON
20	2	20301	TERMINAL SECTION, MARATHON
21	1	101334	SCREW, SLTD PN HD, 10-32 X .500
22	2	23114	WASHER, INTERNAL TOOTH, 10-32
23	1	WHT105902 (not shown)	WIRING HARNESS ASSEMBLY

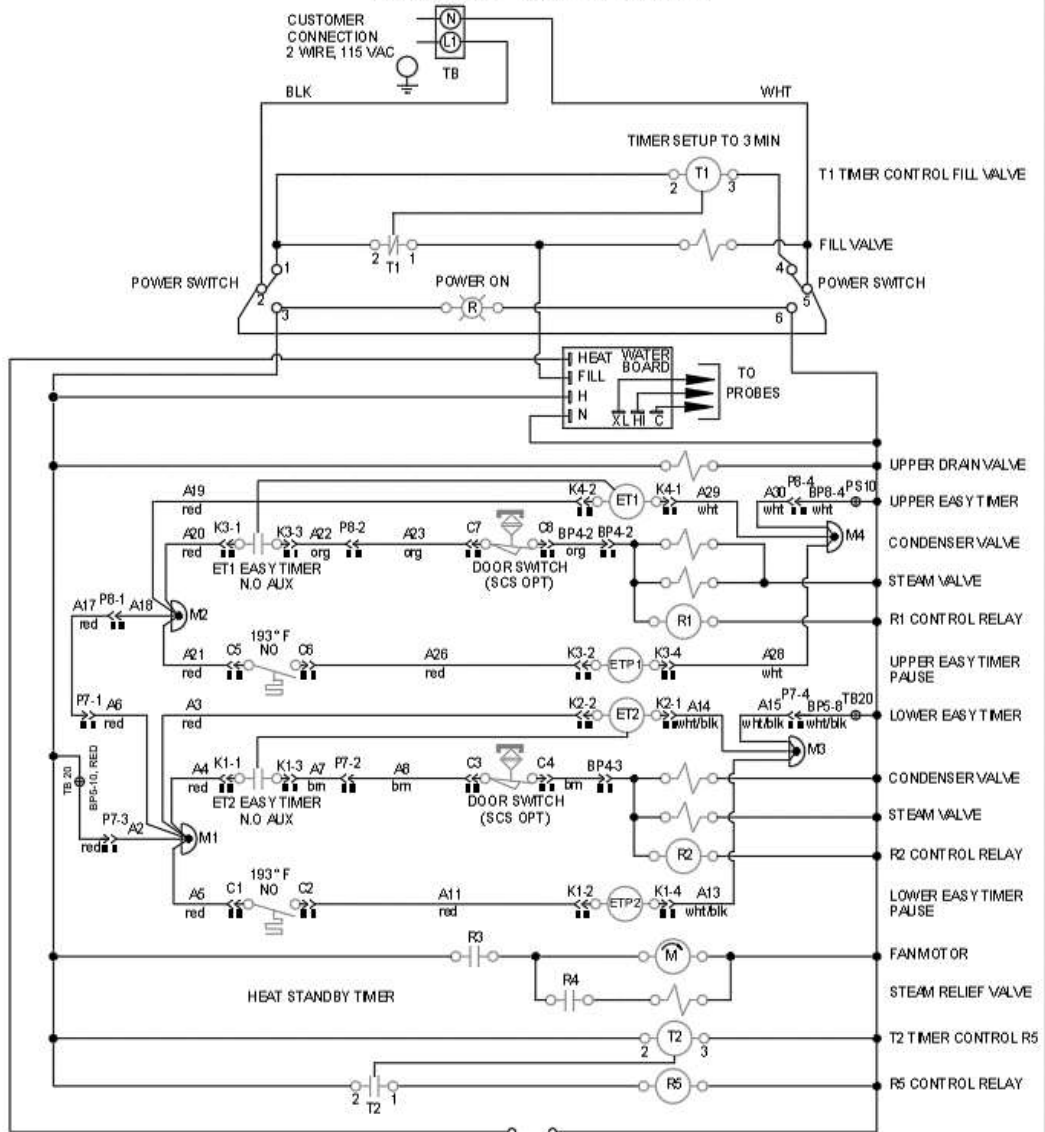
Assembly Number: 107043

Description: Heat Standby



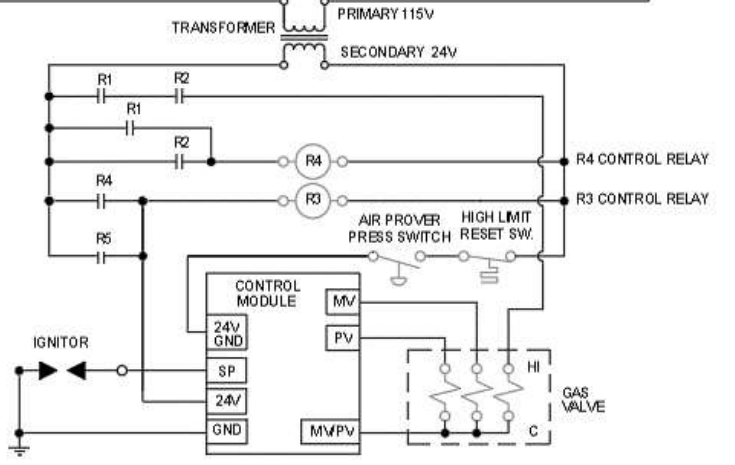
Item	QTY	P/N	Description
1	1	106306	BRACKET, OPTION PLATE
2	1	106580	TIMER, 20 SEC ON, 6 MIN OFF
3	1	106124	SCREW, TORX/SLOT #10-32 X 1.250" LG.
4	1	105966	RELAY, 120V, DPDT
5	2	106127	SCREW, TORX/SLOT #6-32 X 0.500" LG.

STEAMCRAFT 10 GAS - EASY TIMER

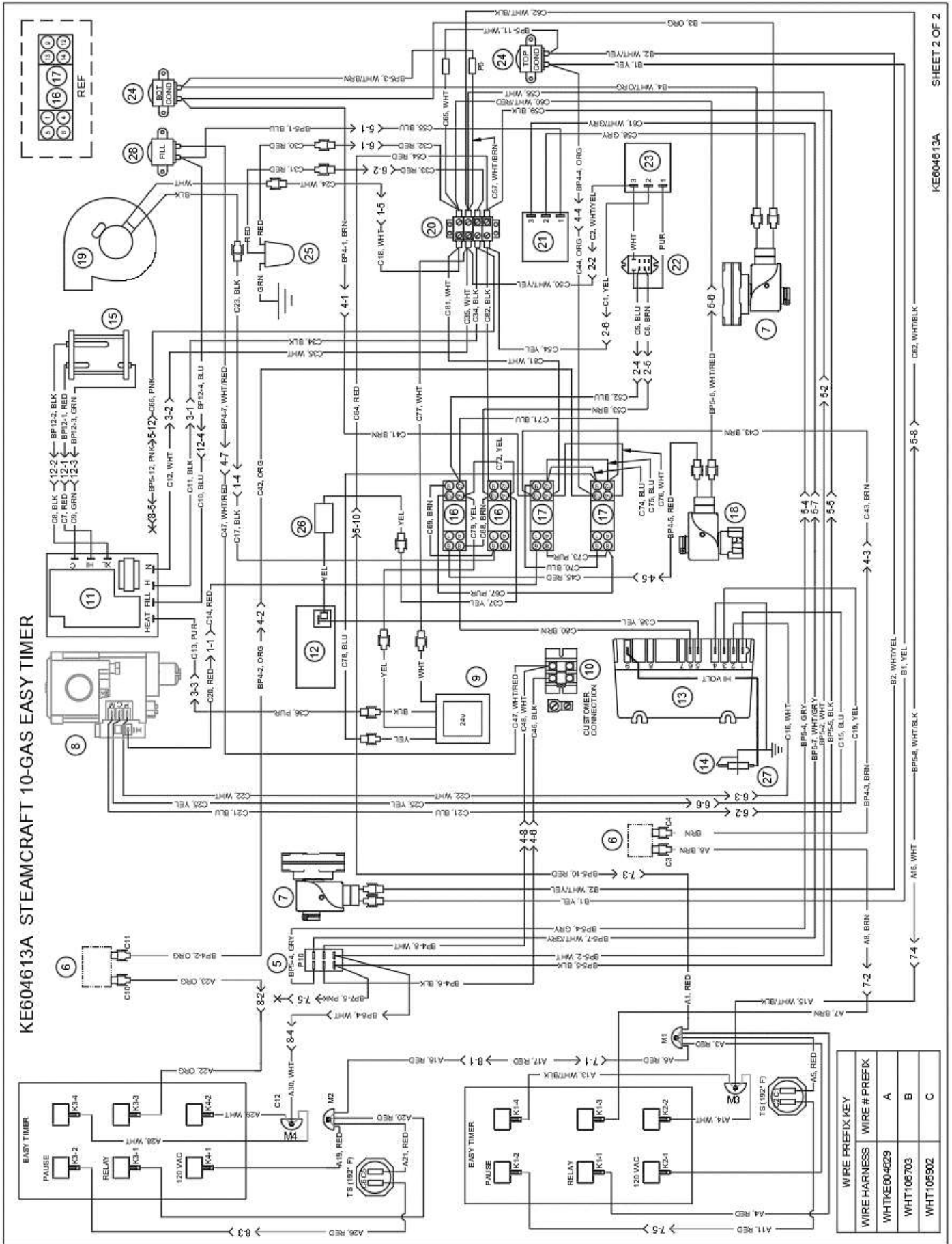


PARTS LIST

- 5 19993 - POWER SWITCH
- 6 108860 - DOOR SW (SCS) MAGNETIC
- 7 22193 - COMP STEAM SOLENOID I/O
- 8 113048 - GAS VALVE (NAT)
- 8 113049 - GAS VALVE (LP)
- 9 20526 - TRANSFORMER
- 10 439091 - TERMINAL BLOCK
- 11 107241 - WATERBOARD
- 12 105788 - AIR PROVER SWITCH
- 13 105693 - GAS CONTROL MODULE
- 14 105784 - PILOT
- 15 107238 - PROBE ASSEMBLY
- 16 105785 - RELAY (R3, R4), 24V
- 17 03524 - RELAY (R1, R2) 120V
- 18 22199 - STEAM RELIEF SOLENOID
- 19 105895 - FAN
- 20 105990 - TERMINAL STRIP
- 21 20478 - 3 MIN TIMER
- 22 105966 - RELAY (R5) 120V
- 23 106580 - HEAT STANDBY TIMER
- 24 22218 - WATER SOLENOIDS
- 25 22221 - DRAIN VALVE
- 26 108995 - HIGH LIMIT RESET SWITCH
- 27 106144 - IGNITION ASSY
- 28 222231 - FILL VALVE



KE604613A STEAMCRAFT 10-GAS EASY TIMER



Cleveland

Service/Parts:

1-844-724-2273

US: Press #4 after prompt to be directed to Technical Services. Press #2 after prompt to be directed to Cleveland.

Canada: Press #1 after prompt to be directed to service in Canada.

Every new piece of Welbilt Foodservice equipment comes with KitchenCare® and you choose the level of service that meets your operational needs from one restaurant to multiple locations

StarCare – Warranty & lifetime service, certified OEM parts, global parts inventory, performance audited

ExtraCare – CareCode, 24/7 Support, online/mobile product information

LifeCare – Install & equipment orientation, planned maintenance, KitchenConnect™, MenuConnect®

Talk with KitchenCare® • 1-844-724-CARE • www.mtwkitchenare.com



To learn how Welbilt Foodservice and its leading brands can equip you, visit our global web site at www.welbilt.com, then discover the regional or local resources available to you.

©2016 Welbilt Foodservice except where explicitly stated otherwise. All rights reserved. Continuing product improvement may necessitate change of specifications without notice