

Skillets

Cleveland

Electric Tabletop Kettles (Texas Roadhouse)

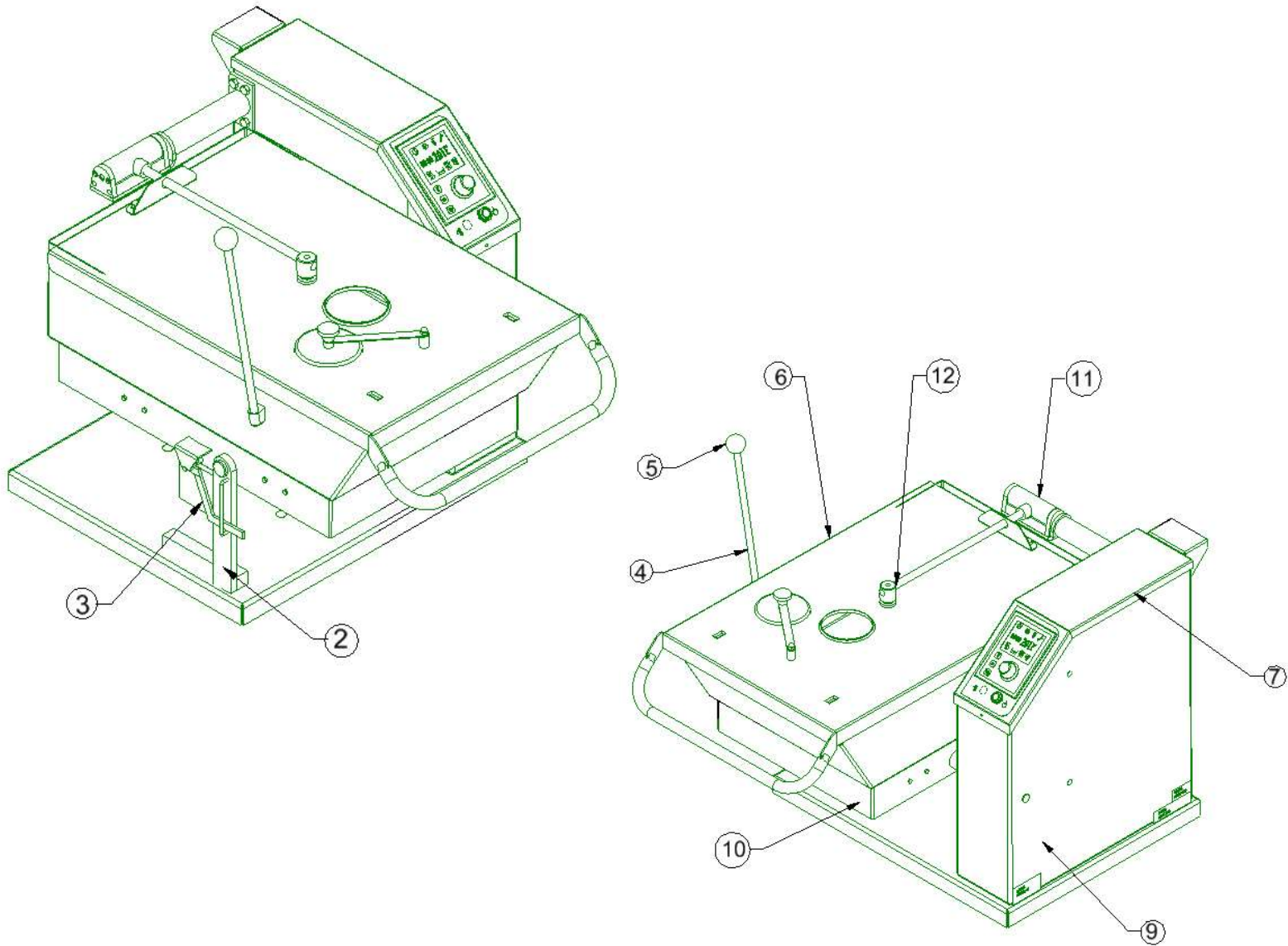
Parts Manual

MODELS:

SET-10



Assembly Number: SET-10-EDC
Description: General Assembly 1

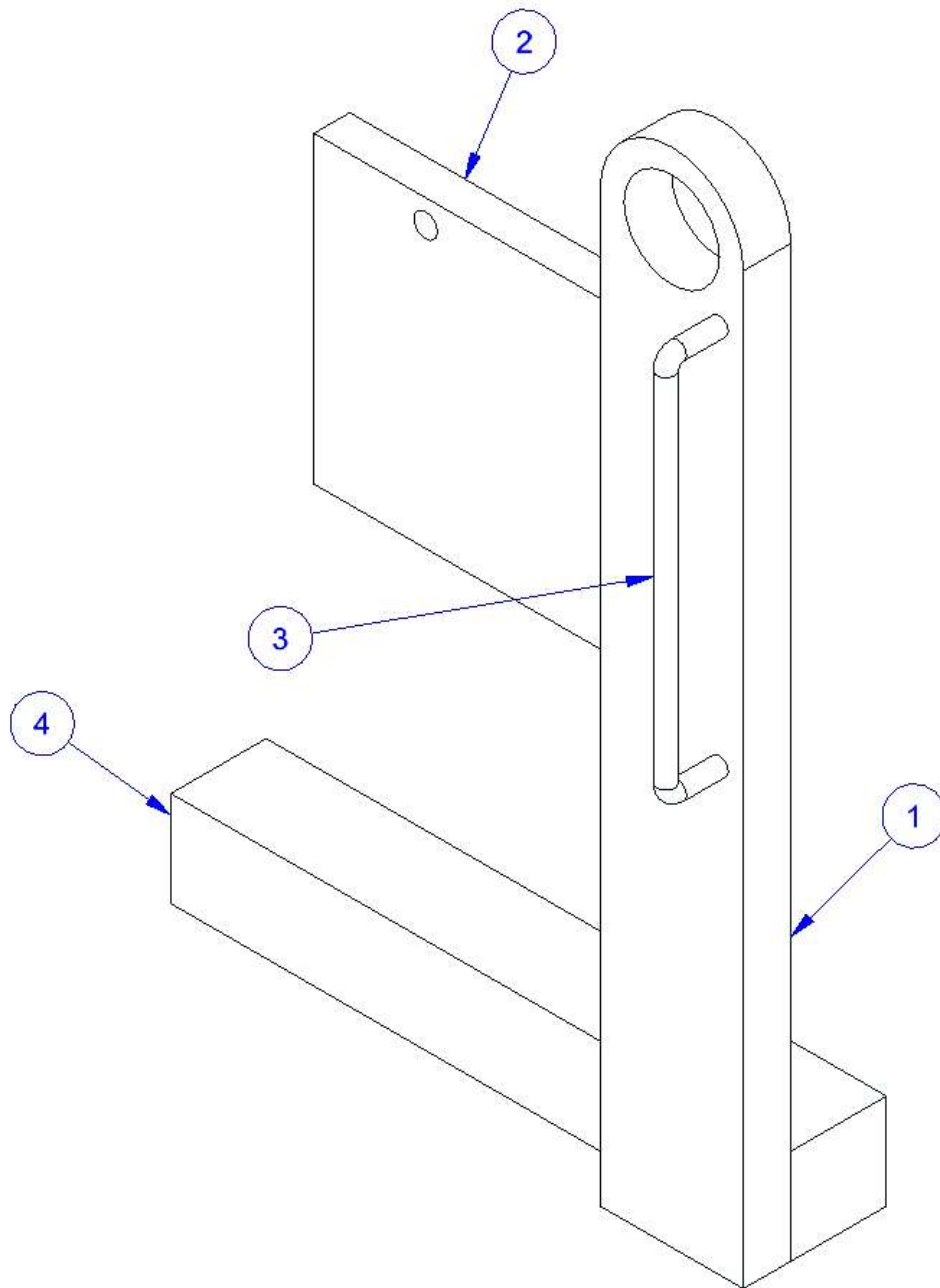


Item	QTY	Part Number	Description
2	1	SK2238999-1	SUPPORT BAR WELDMENT ASSEMBLY
3	1	KE600550	SET-15 MARINE LOCK
4	1	KE50886	HANDLE
5	1	KE50151	KNOB; FOR HANDLE
6*	1	KE004116	COVER & VENT COVER ASS'Y
7	1	KE004117	COVER ASSEMBLY; EDC
9	1	KE004118	CONSOLE WELDMENT ASS'Y
10	1	SK603312-3 (No TD)	PAN ASSEMBLY
11*	1	KE00597-7	LH HINGE ASSY;200-250,
12*	1	KE00095	HANDLE HOLDER ASSEMBLY

*Optional

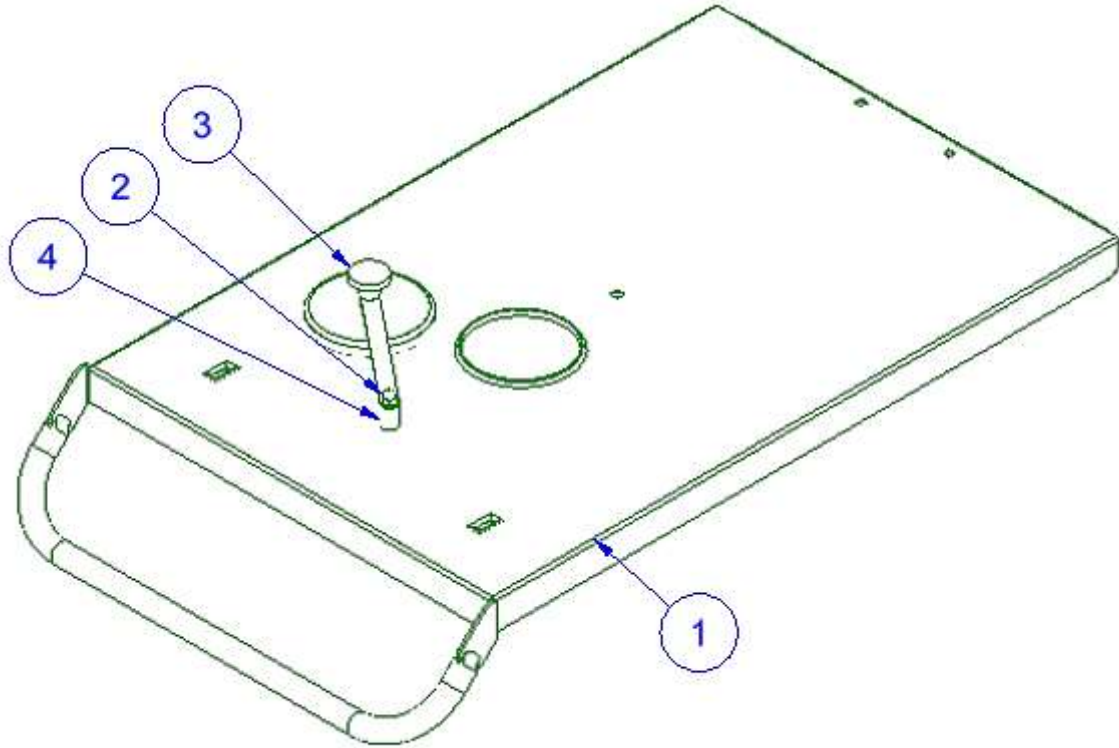
Assembly Number: SK2238999-1

Description: Support Bar Weldment Assembly



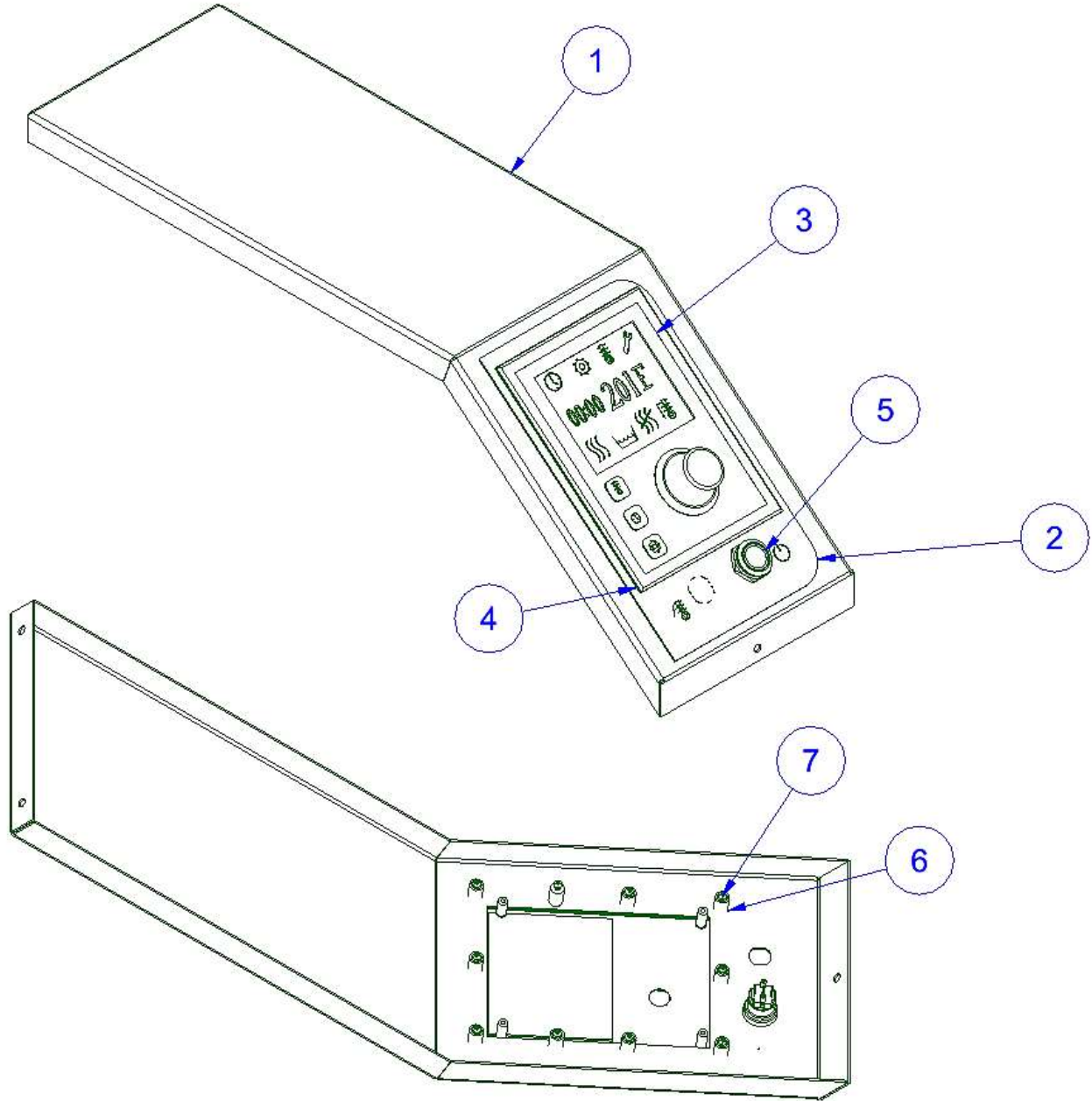
Item	QTY	Part Number	Description
1	1	SK2238900-1	SUPPORT BAR
2	1	KE600549-1	BLOCK; MARINE LOCK
3	1	KE50403-8	SUPPORT ASSEMBLY; R.H.
4	1	KE603831-1	SUPPORT BLOCK

Assembly Number: KE004116 (Optional)
Description: Cover and Vent Cover Assembly



Item	QTY	Part Number	Description
1	1	KE004115	COVER WELDMENT
2	1	FA21501-2	1/4-20 ACORN NUT SS
3	1	SK00054	VENT COVER ASSEMBLY
4	1	SK2211200	EXTENSION FOR VENT COVER

Assembly Number: KE004117
Description: Cover Assembly; EDC

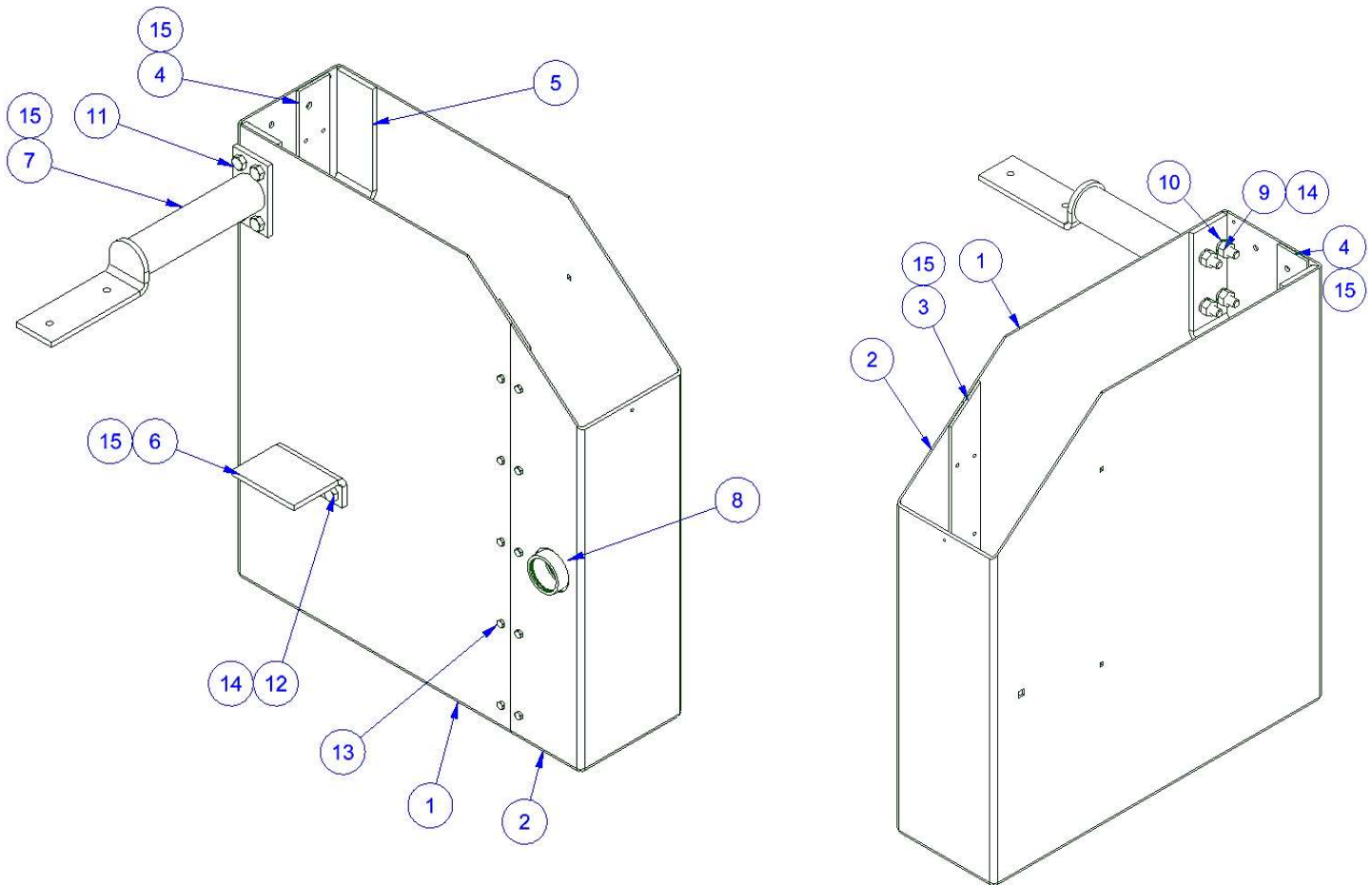


Item	QTY	Part Number	Description
1	1	KE604417	COVER; EASY DIAL
2	1	KE95555-50	EASY DIAL LABEL
3	1	KE604112-1	EASY DIAL CONTROL (Texas Roadhouse)
4	1	KE604119	EASY DIAL GASKET
5	1	KE604116	EAO PUSH BUTTON
6	10	KE604144	CONNECTOR TUBE
7	10	PART OF #6	2-56 MACHINE SCREW
8*	1	KE604583-1	3/16" TH, 5/8" W, GASKET

*Not shown

Assembly Number: KE004118

Description: Console Weldment Assembly

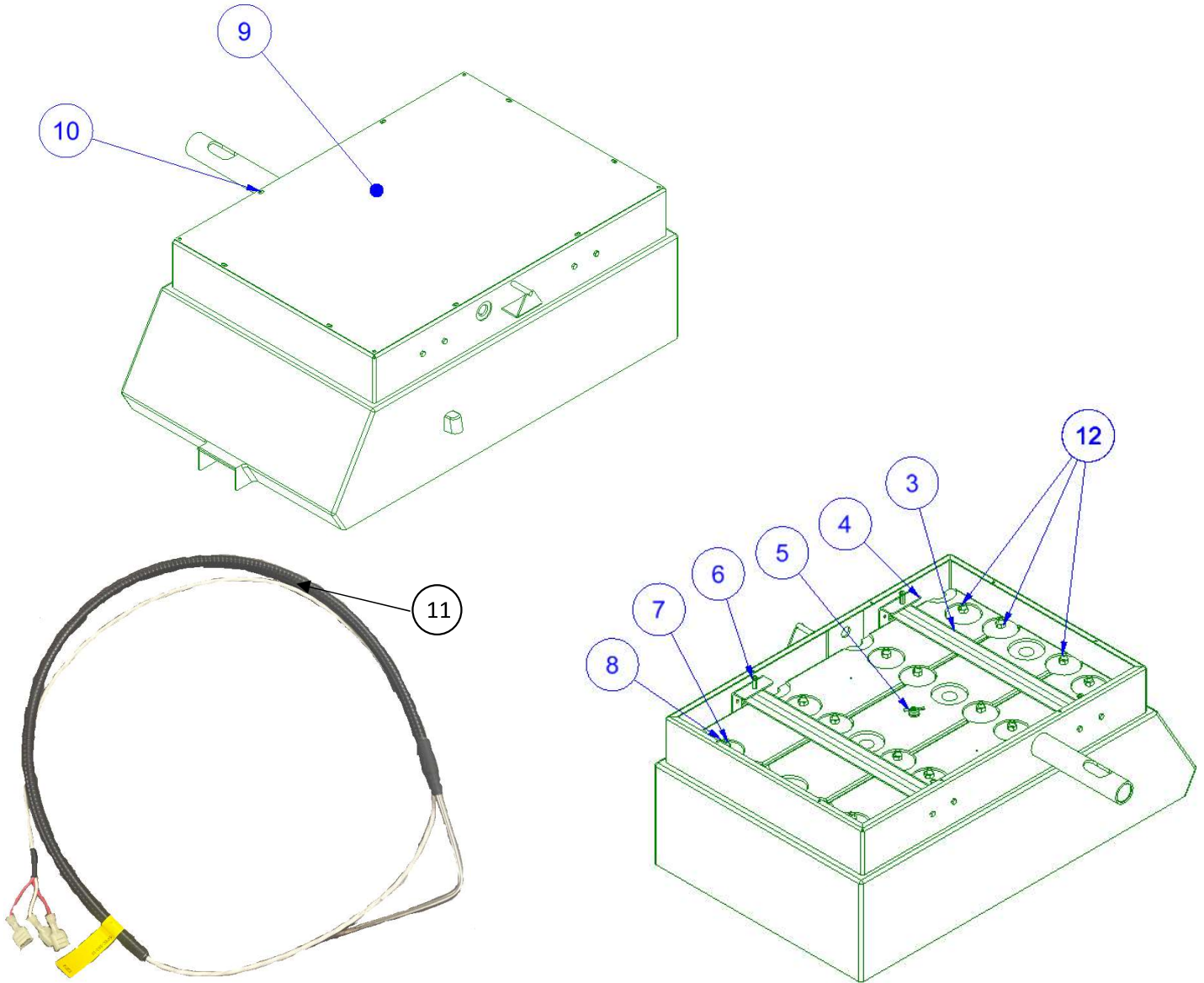


Item	QTY	Part Number	Description
1	1	KE604456	CONSOLE HOUSING
2	1	KE604455	CONSOLE HOUSING
3	1	KE604458	CONSOLE JOINT
4	1	KE604457	CONSOLE JOINT
5	1	KE604419	STIFFNER, CONSOLE
6	1	KE604420	HARD STOP
7*	1	KE004126	BRACKET, COVER HOLDER ASSEMBLY
8	1	KE02325	BEARING ASSY
9	6	FA21020	NUT, HEX 3/8-16 NC, CAD PLATED
10	6	FA31031	3/8 SPLIT LOCKWASHER SS
11*	4	FA11386	3/8-16 X 1.5 HEX BOLT SS
12	2	FA11384	3/8-16 X 1 HEX BOLT SS
13	22	FA11509-8	#10-32, HEX BOLT, 1/2" L
14	A/R	107507	ADHESIVE; LOCTITE; BLUE;
15	4FT	RB018513	GASKET, 1.75"W x 1/16TH

*Optional

Assembly Number: SK603312-3

Description: Pan Assembly



Item	QTY	Part Number	Description
1	1	SK00008-1	PAN WELDMENT
2	8	FA11509-8	HEX BOLT, #10-32, 1/2"L
3	2	SK603281	CROSS BAR
4	4	SK603280	CROSS BAR SUPPORT
5	1	KE55340	SAFETY THERMOSTAT BIMETAL
6	4	SK603284	1/2" MALE-FEMALE THREADED HEX STANDOFFS
7	16	FA21024	5/16-18 HEX. NUT
8	16	SK2231500	SPHERICAL WASHER
9	1	SK603282-2	BOTTOM COVER
10	12	FA11145	CROSS HEAD SCREW 10/32X3/8
11	1	SK2345101-1	RTD SENSOR
12	3	-	SEE HEATING BLOCK TABLE

Heating Block Table

Voltage	Wattage	Heating Block
208	High Wattage	SK2231498
220		
240		
208	Standard Wattage	SK2231499
220		
240		

Assembly Number: KE604112

Description: Easy Dial Control

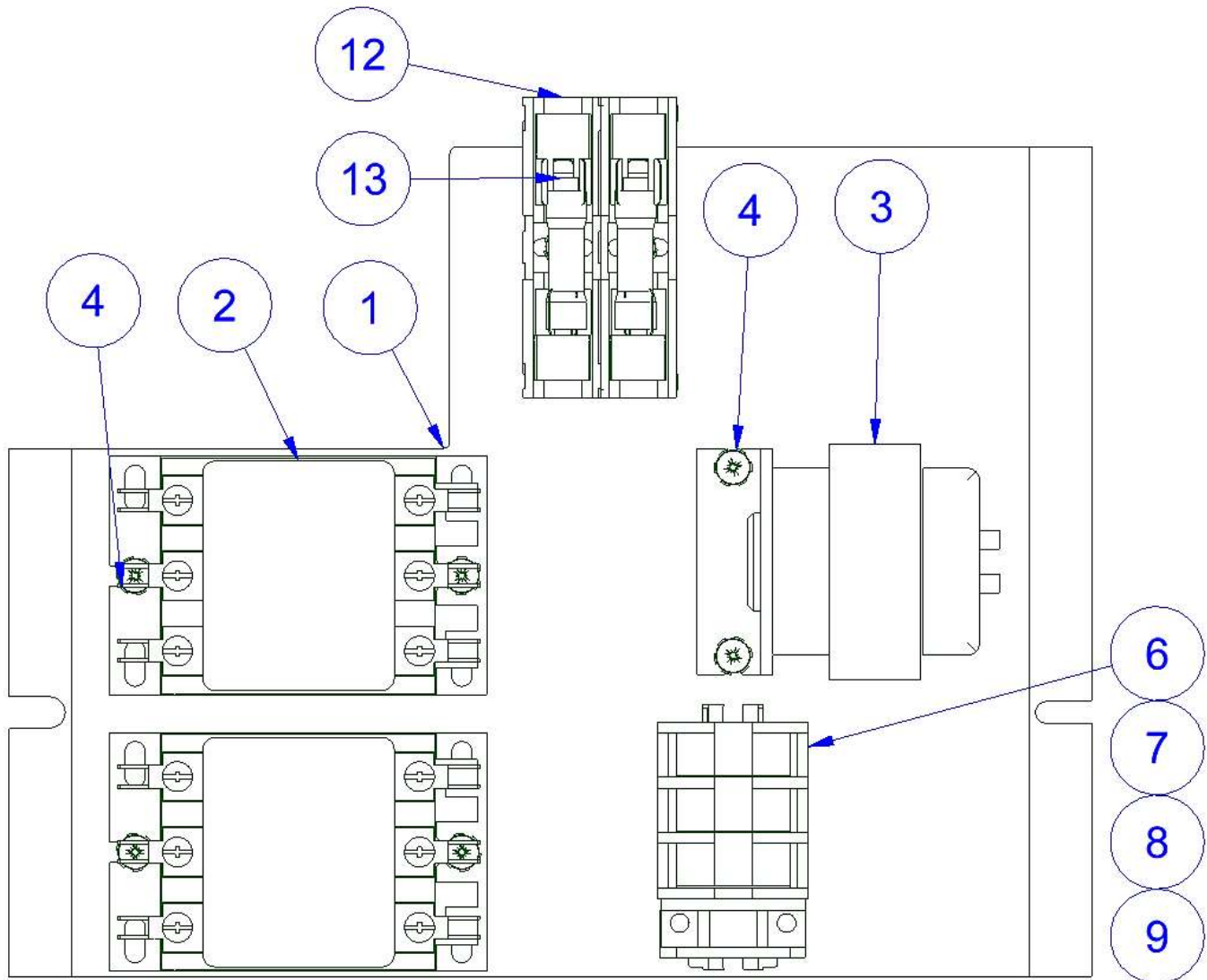


EACH CONTROL COMES WITH THE FOLLOWING:

- 1) KE604144 – SPACER TUBE (QTY. 10).
- 2) FA95111 – 2-56 X 1/2" SCREWS, 18-8 SS (QTY. 10).
- 3) KE604176 – KNOB (QTY. 1).
- 4) INTERTEK CERTIFICATION #. 4000931

Assembly Number: KE003702-1

Description: Component Plate Assembly, EDC

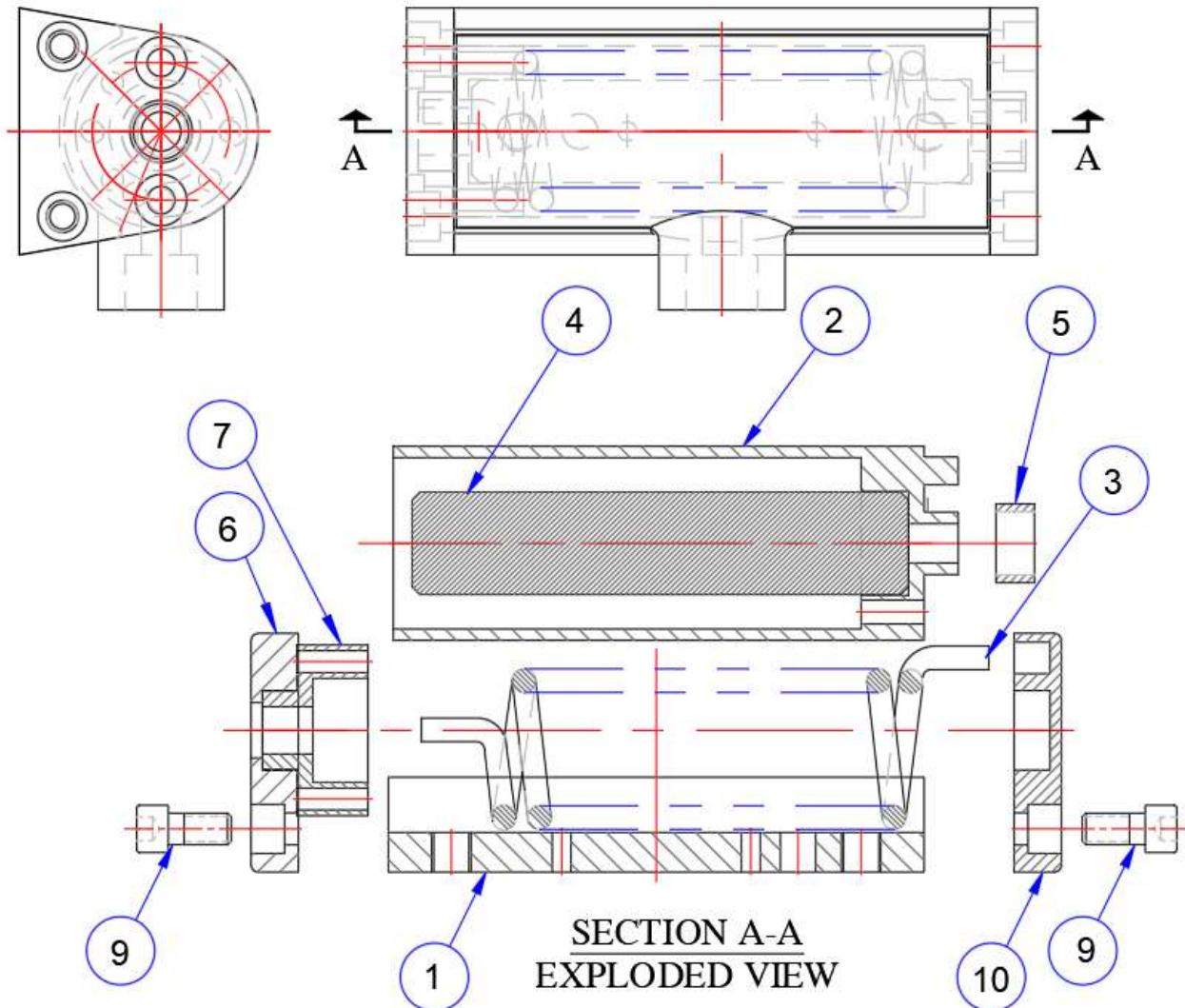


Item	QTY	Part Number	Description
1	1	SK2238201	COMPONENT MOUNT PLATE, EDC
2	2	KE603902-10	CONTACTOR
3	1	KE53838-18	TRANSFORMER
4	8	FA15018-3	PHIL SCREW 8X32X1/4
5	2	FA11089	8-32 X 1/4 PAN PHIL HEAD SS SCREW
6	3	SK50055-1	TERMINAL BLOCK
7	1	SK50054-1	TERMINAL BLOCK END BARRIER
8	1	SK50054-2	TERMINAL BLOCK END ANCHOR
9	1	KE54761	TERMINAL BLOCK MOUNTING RAIL
10*	1	KE02097-15	EDC, 14 PIN WIRE HARNESS
11*	1	WHSET-10	WIRE HARNESS, SET-10
12	2	KE51139-1	FUSE HOLDER
13	2	KE52936-17	FUSE

* Not shown

Assembly Number: KE00597-7 (Optional)

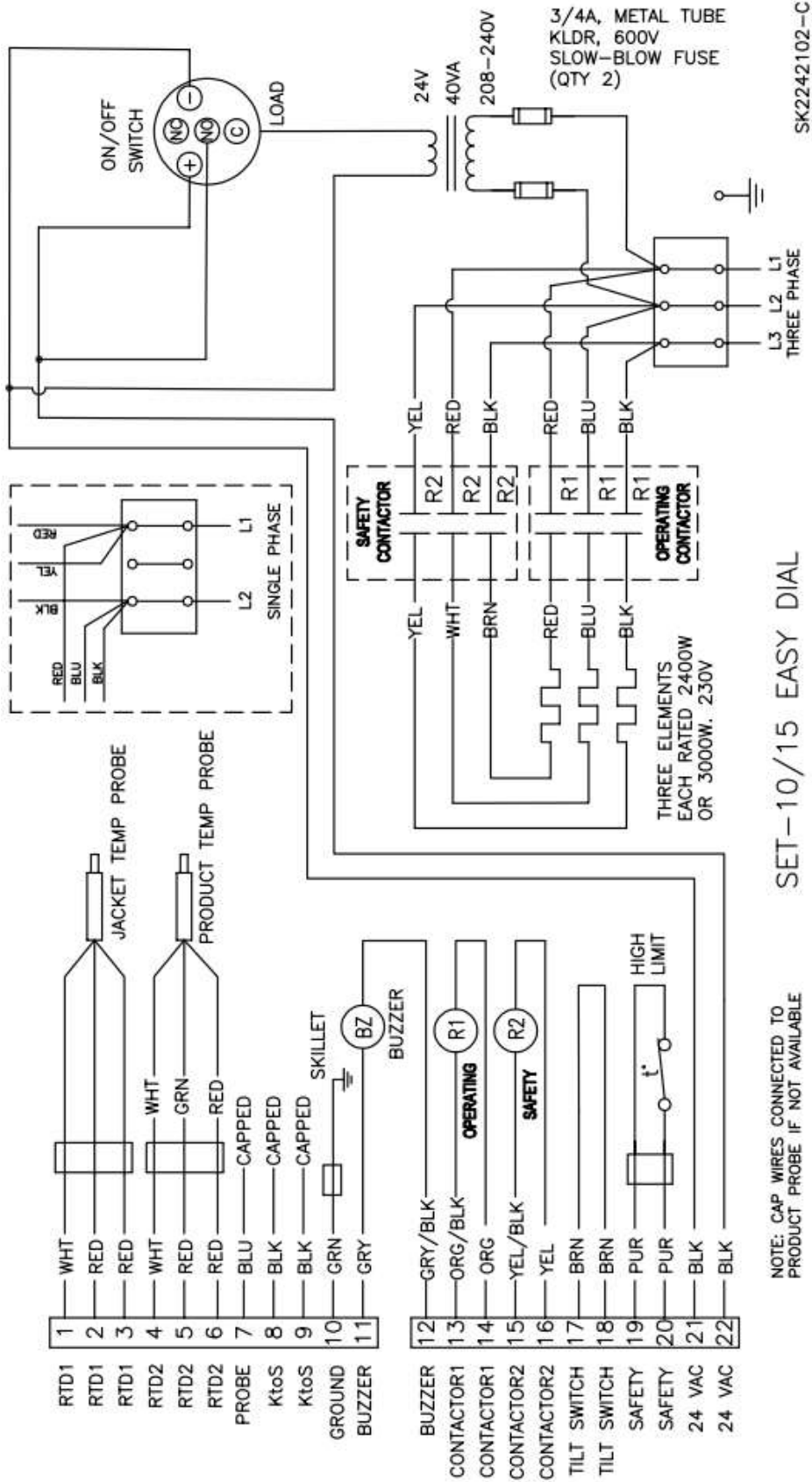
Description: Hinge Assembly CHS



Item	QTY	Part Number	Description
1	1	KE50822	HINGE BASE; CHS
2	1	KE51217	HINGE CYLINDER
3	-	KE50121-1	HINGE SPRING; HEAVY (0.187 DIA/12 COILS)
	-	KE50121-2	HINGE SPRING; LIGHT (0.162 DIA/16 COILS)
	1	KE50121-3	HINGE SPRING; HEAVY (0.187 DIA/12 COILS) LH
4		KE50823-1	HINGE PIN; LIGHT SPRING
	-	KE50823-2	HINGE PIN MODIFD; HEAVY SPRING
5	1	KE50824	HINGE BEARING; MODIFIED
6	1	KE50819	HINGE END PIECE; RHS
7	1	KE50820	HINGE INSERT; CHS
8	-	KE50819-1	HINGE END PIECE; LHS
	-	KR50819-2	HINGE END PIECE; LHS MODIFIED (TO 100 DEGREE)
9	4	FA11284	SCREW; 1/4-20 X 1/2" HEX SOCKET
10	1	KE50819-3	HINGE END PIECE; LHS

Assembly Number: SK2242102

Description: Wiring Diagram, 208, 220, 240V, SET-10, TEXAS ROADHOUSE



SK2242102-C

SET-10/15 EASY DIAL

Cleveland

Service/Parts:

1-844-724-2273

US: Press #4 after prompt to be directed to Technical Services. Press #2 after prompt to be directed to Cleveland.

Canada: Press #1 after prompt to be directed to service in Canada.

Every new piece of Welbilt Foodservice equipment comes with KitchenCare® and you choose the level of service that meets your operational needs from one restaurant to multiple locations

StarCare – Warranty & lifetime service, certified OEM parts, global parts inventory, performance audited

ExtraCare – CareCode, 24/7 Support, online/mobile product information

LifeCare – Install & equipment orientation, planned maintenance, KitchenConnect™, MenuConnect®

Talk with KitchenCare® • 1-844-724-CARE • www.mtwkitchencare.com



To learn how Welbilt Foodservice and its leading brands can equip you, visit our global web site at www.welbilt.com, then discover the regional or local resources available to you.

©2016 Welbilt Foodservice except where explicitly stated otherwise. All rights reserved. Continuing product improvement may necessitate change of specifications without notice