

Skillets

Cleveland

Electric Tabletop Kettles

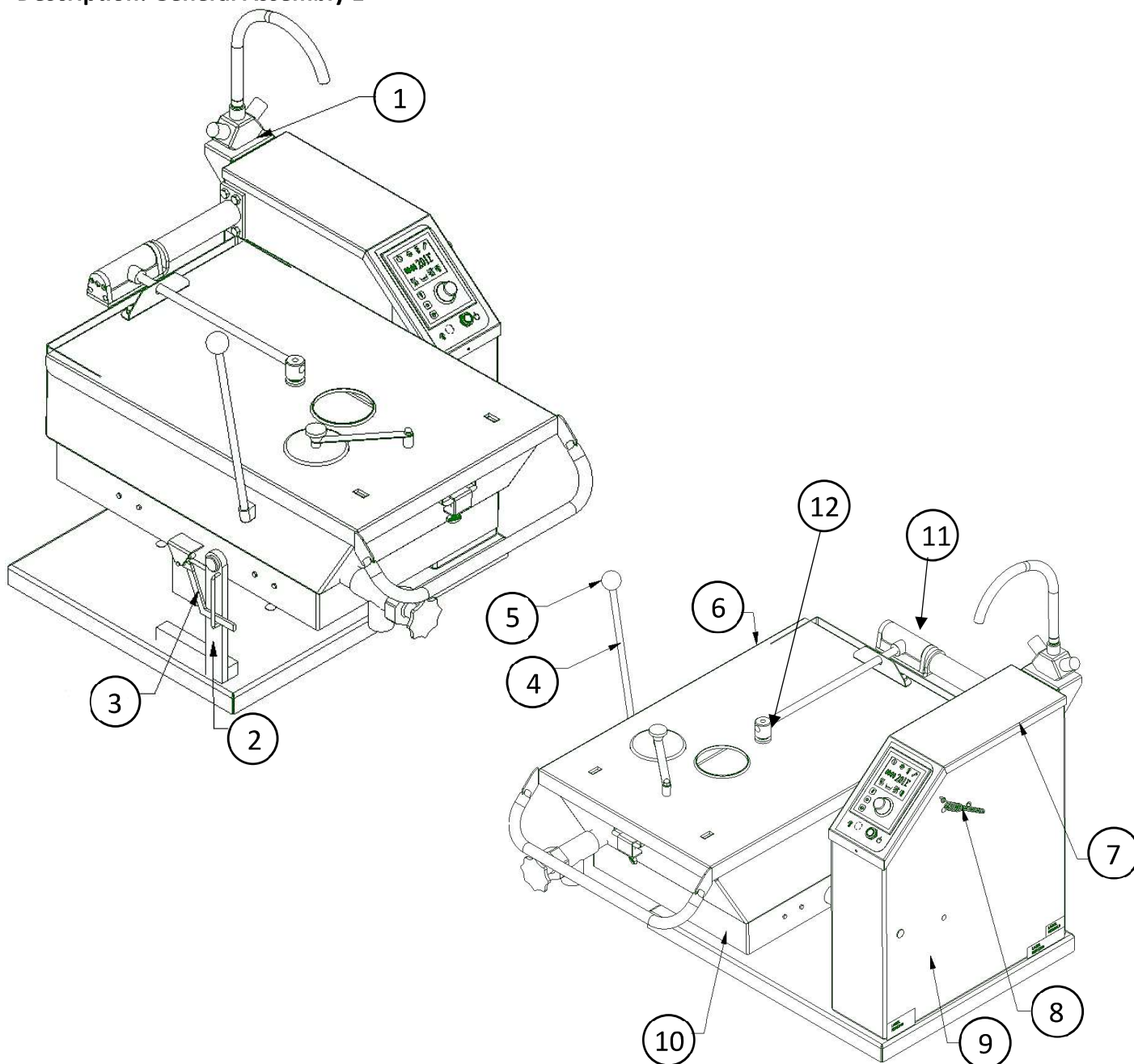
Parts Manual

MODELS:

SET-10

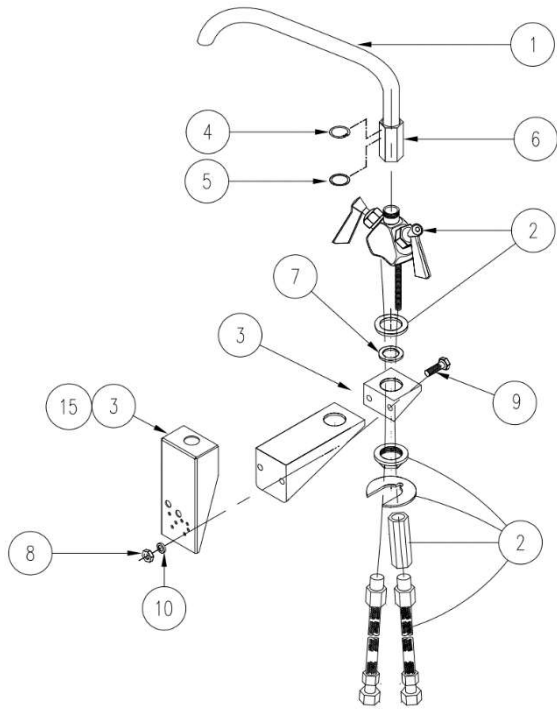


Assembly Number: SET-10-EDC
Description: General Assembly 1

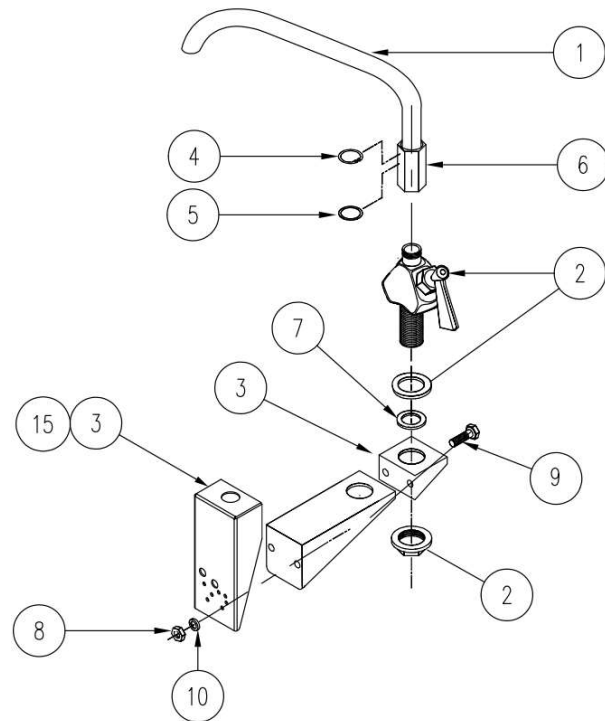


Item	QTY	Part Number	Description
1	1	SPK/DPK-24	KITS; FAUCET & BRACKET
2	1	SK2238999-1	SUPPORT BAR WELDMENT ASSEMBLY
3	1	KE600550	SET-15 MARINE LOCK
4	1	KE50886	HANDLE
5	1	KE50151-2	KNOB; FOR HANDLE
6	1	KE004116	COVER & VENT COVER ASS'Y
7	1	KE004117	COVER ASSEMBLY; EDC
8	1	KE003959-5	EDC, TEMPERATURE PRODUCT PROBE KIT
9	1	KE004118	CONSOLE WELDMENT ASS'Y
10	1	SK603312-1 (No TD)	PAN ASSEMBLY
	1	SK603312-2 (TD 1.5)	PAN ASSEMBLY W/ TD 1.5
11	1	KE00597-7	LH HINGE ASSY;200-250,
12	1	KE00095	HANDLE HOLDER ASSEMBLY

Assembly Number: SPK/DPK-24
Description: Faucet and Bracket Kits



DETAIL A
 (DOUBLE PANTRY FAUCET MTG DETAIL)



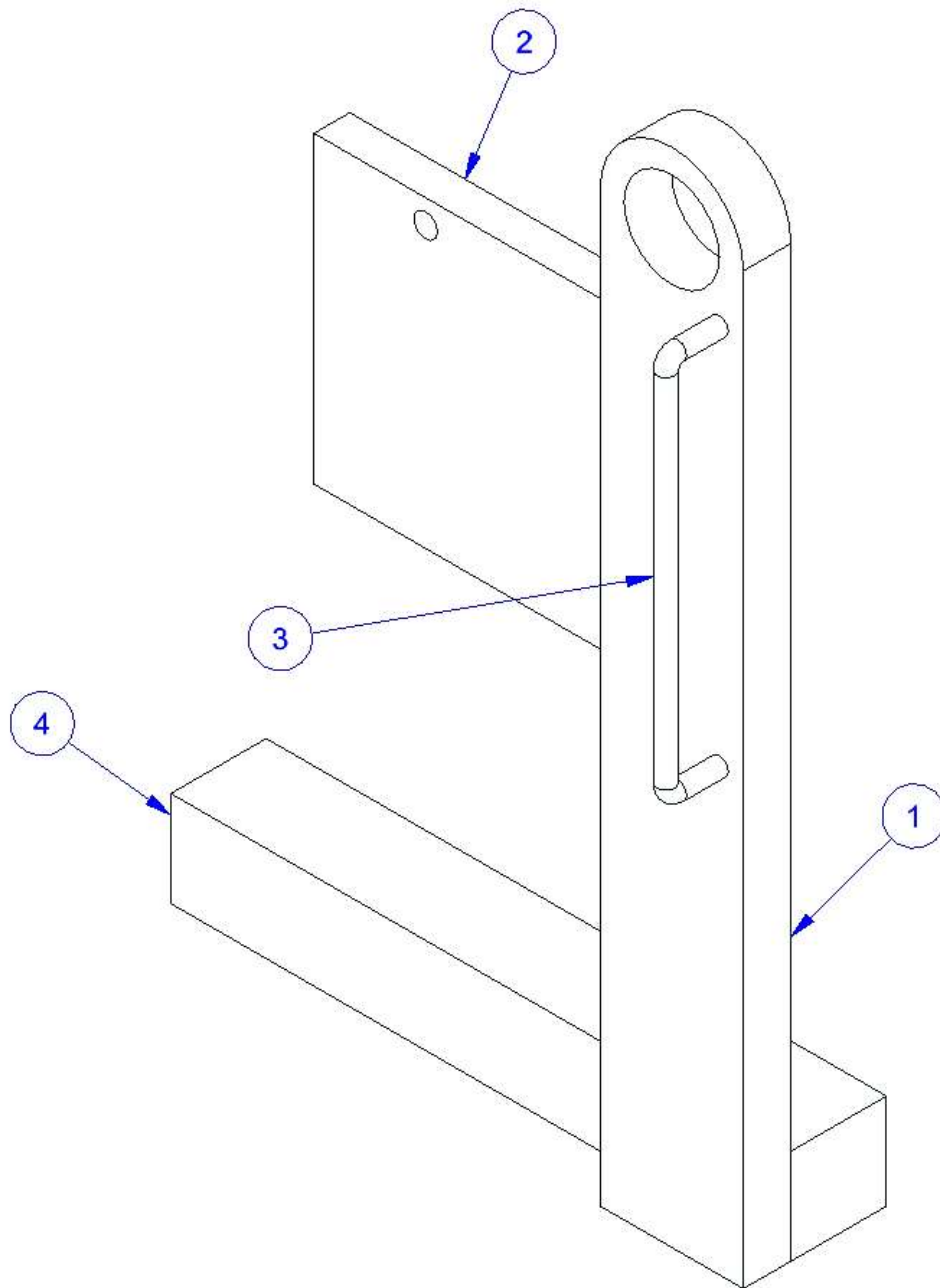
DETAIL B
 (SINGLE PANTRY FAUCET MTG DETAIL)

Item	QTY	SPK Part Number	DPK Part Number	Description
1	1	KE50825-5	KE500825-5	SPOUT; FAUCET
2	1	KE51401	KE51403	PANTRY FAUCET BODY; S.S.
3	1	SK2382300	SK2382300	FAUCET BRACKET
4	1	FA95007-10	FA95007-10	RET RING; WHITE-SELL
5	1	FA05002-19	FA05002-19	O-RING; EPDM-E540 or E163
6	1	KE51736	KE51736	NUT; FAUCET (LONG)
7	1	KE50335	KE50335	WASHER FOR SINGLE FAUCET
8	2	FA21008	FA21008	Hex Nuts 1/4-20UNC
9	2	FA11258	FA11258	HEX BOLT 1/4-20X3/4
10	2	FA31029	FA31029	1/4 SPLIT LOCKWASHER SS
11*	1	SK2382400	SK2382400	FAUCET BRACKET SPACER

*Not shown

Assembly Number: SK2238999-1

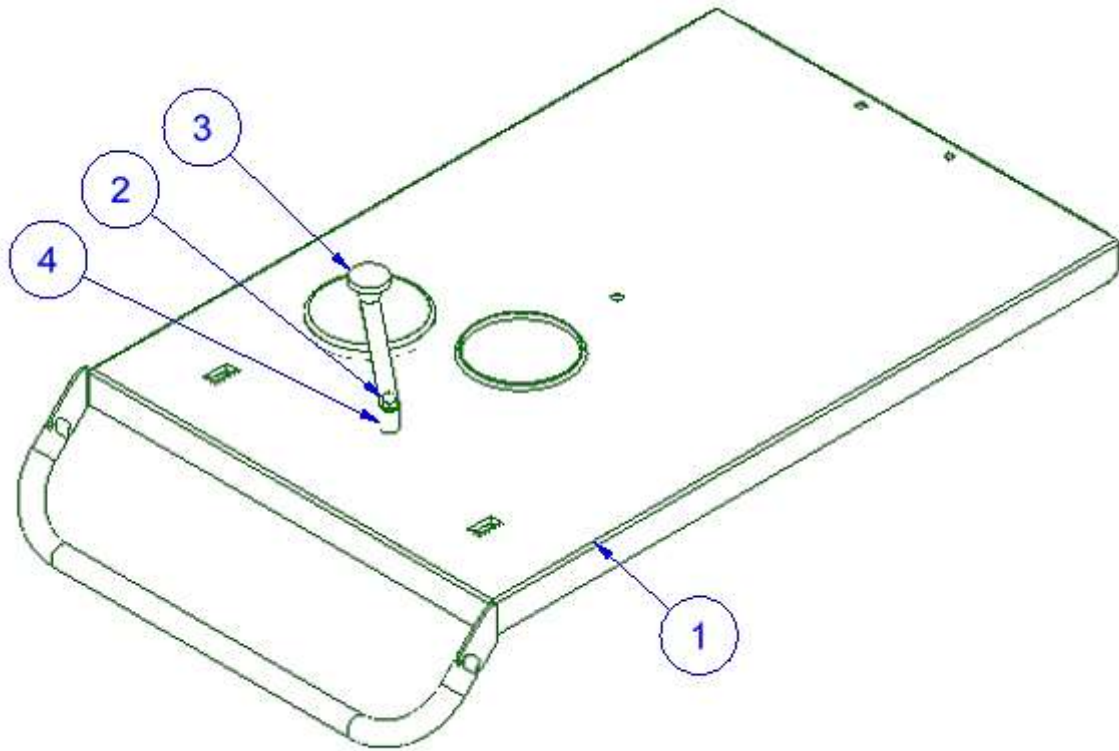
Description: Support Bar Weldment Assembly



Item	QTY	Part Number	Description
1	1	SK2238900-1	SUPPORT BAR
2	1	KE600549-1	BLOCK; MARINE LOCK
3	1	KE50403-8	SUPPORT ASSEMBLY; R.H.
4	1	KE603831-1	SUPPORT BLOCK

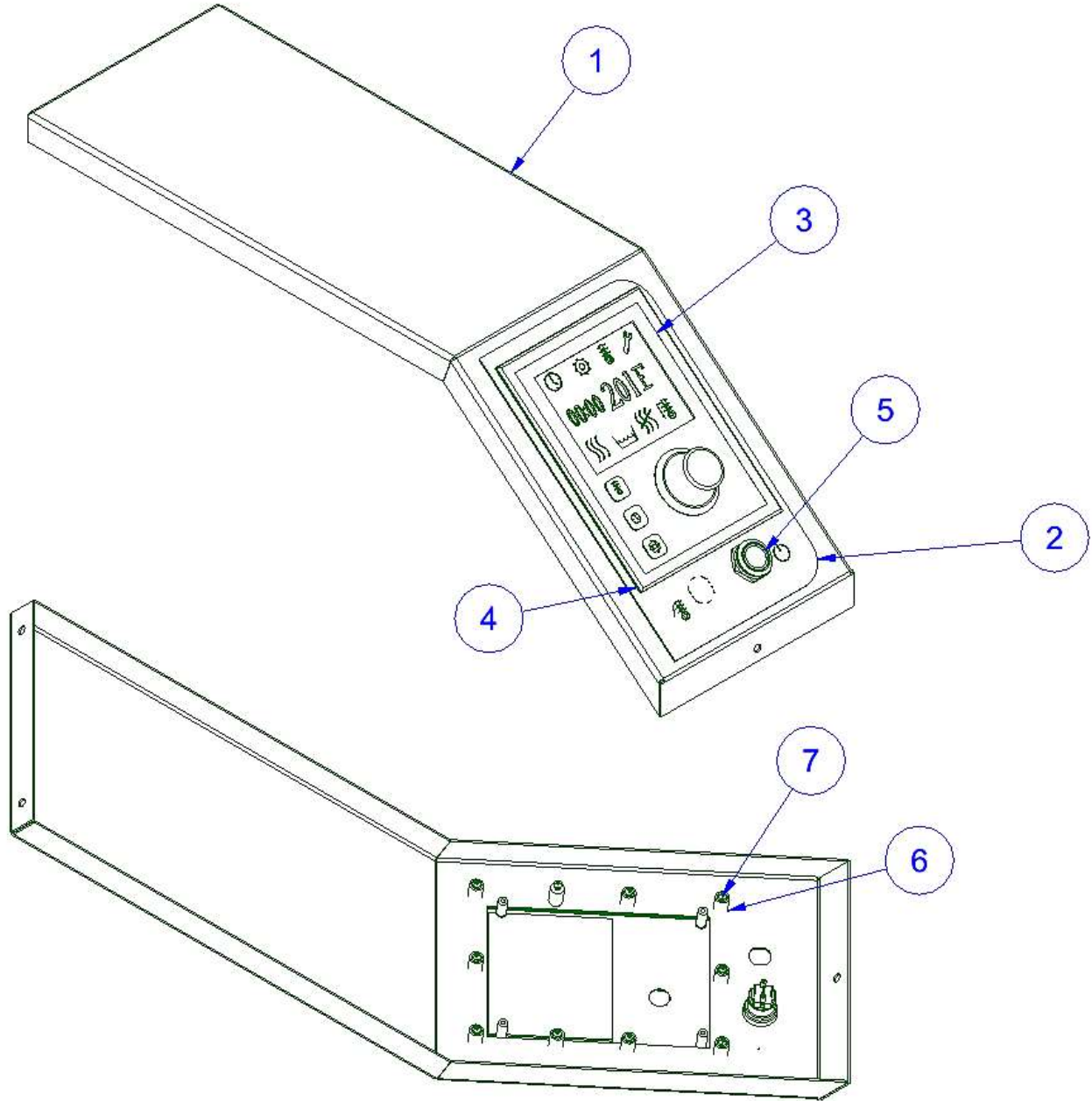
Assembly Number: KE004116

Description: Cover and Vent Cover Assembly



Item	QTY	Part Number	Description
1	1	KE004115	COVER WELDMENT
2	1	FA21501-2	1/4-20 ACORN NUT SS
3	1	SK00054	VENT COVER ASSEMBLY
4	1	SK2211200	EXTENSION FOR VENT COVER

Assembly Number: KE004117
 Description: Cover Assembly; EDC

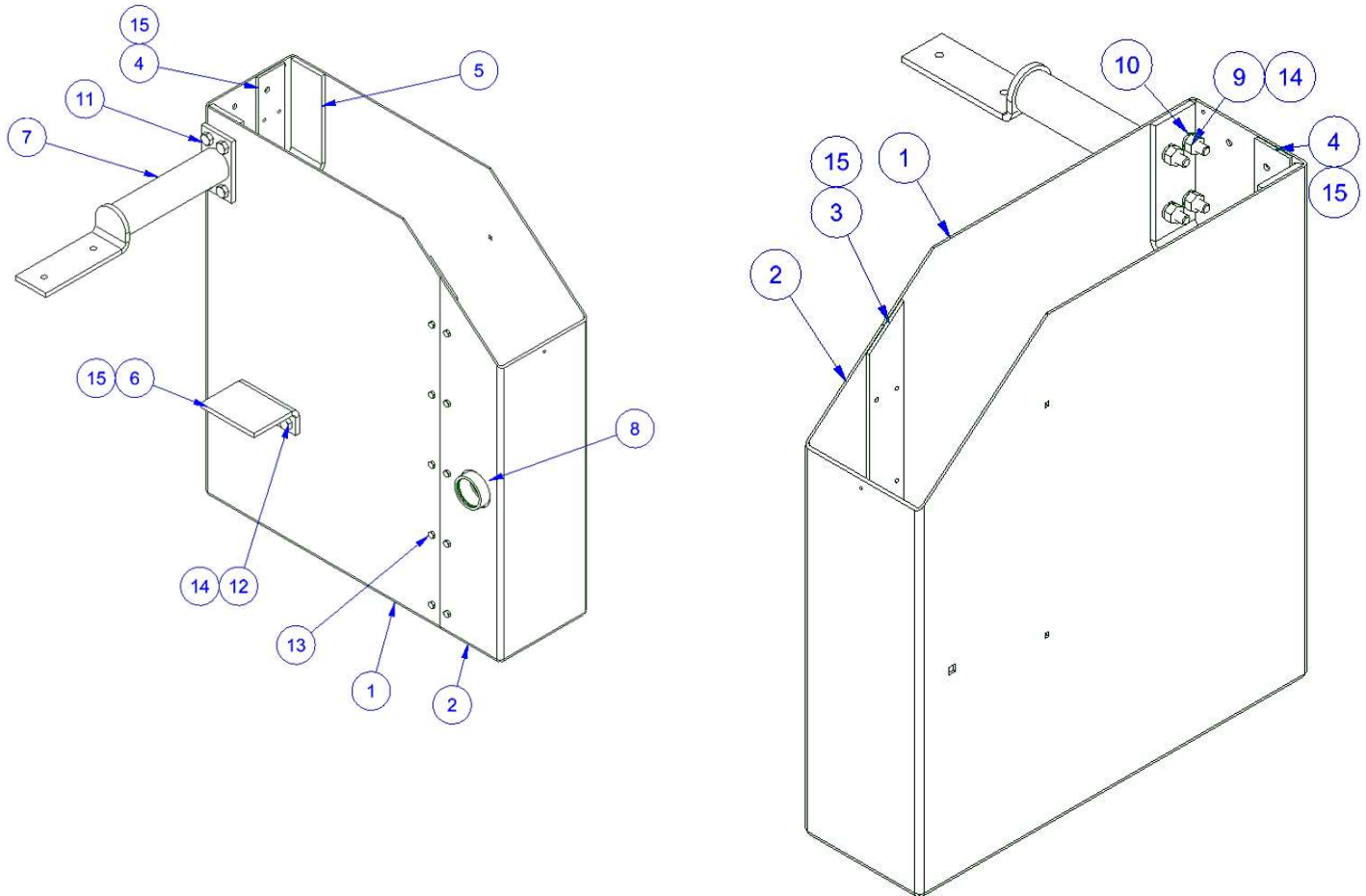


Item	QTY	Part Number	Description
1	1	KE604417	COVER; EASY DIAL
2	1	KE95555-50	EASY DIAL LABEL
3	1	KE604112	EASY DIAL CONTROL
4	1	KE604119	EASY DIAL GASKET
5	1	KE604116	EAO PUSH BUTTON
6	10	KE604144	CONNECTOR TUBE
7	10	PART OF #6	2-56 MACHINE SCREW
*8	1	KE604583-1	3/16" TH, 5/8" W, GASKET

* Not shown

Assembly Number: KE004118

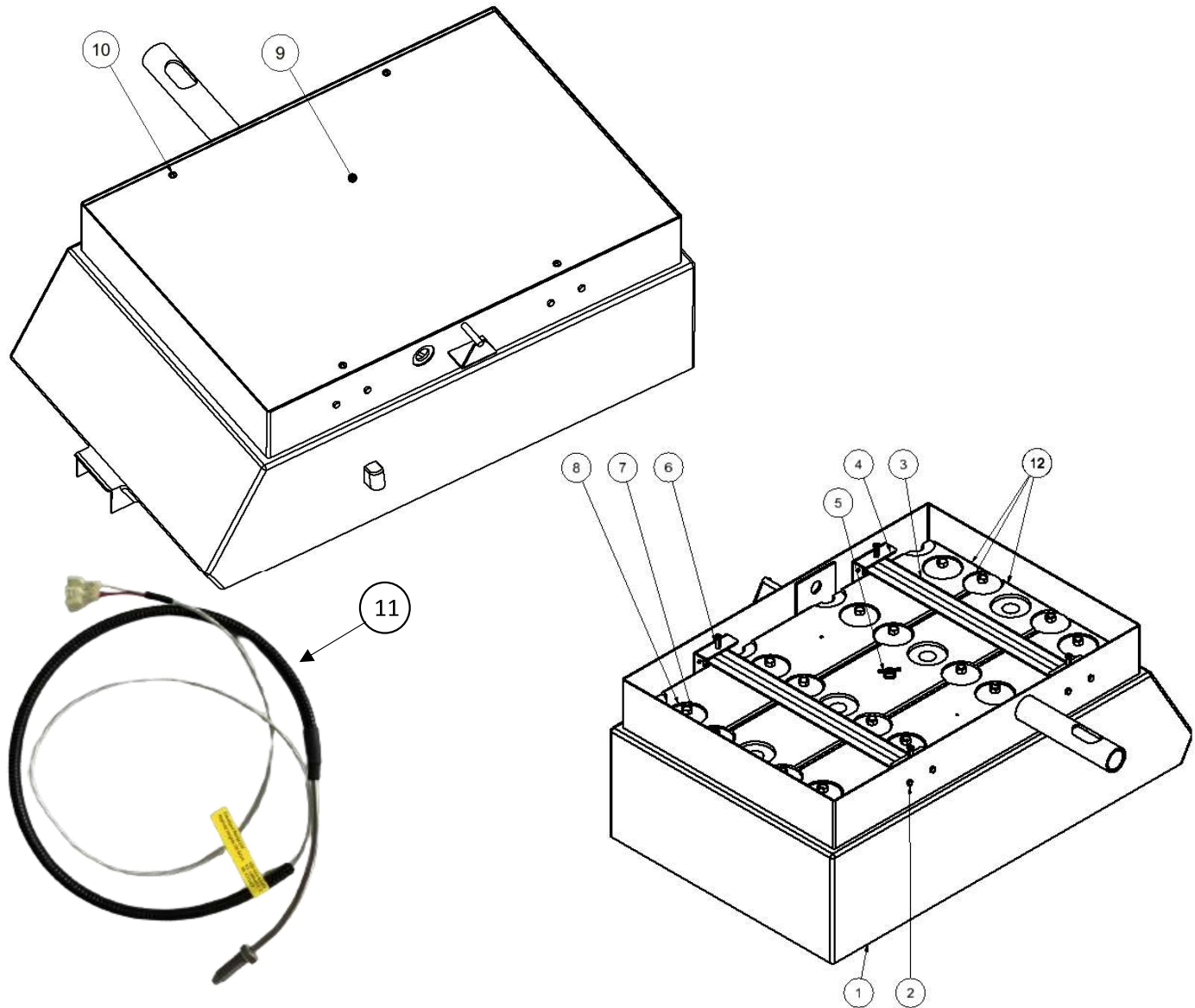
Description: Console Weldment Assembly



Item	QTY	Part Number	Description
1	1	KE604456	CONSOLE HOUSING
2	1	KE604455	CONSOLE HOUSING
3	1	KE604458	CONSOLE JOINT
4	1	KE604457	CONSOLE JOINT
5	1	KE604419	STIFFNER, CONSOLE
6	1	KE604420	HARD STOP
7	1	KE004126	BRACKET, COVER HOLDER ASSEMBLY
8	1	KE02325	BEARING ASSY
9	6	FA21020	NUT, HEX 3/8-16 NC, CAD PLATED
10	6	FA31031	3/8 SPLIT LOCKWASHER SS
11	4	FA11386	3/8-16 X 1.5 HEX BOLT SS
12	2	FA11384	3/8-16 X 1 HEX BOLT SS
13	22	FA11509-8	#10-32, HEX BOLT, 1/2" L
14	A/R	107507	ADHESIVE; LOCTITE; BLUE;
15	4FT	RB018513	GASKET, 1.75"W x 1/16TH

Assembly Number: SK603312-1

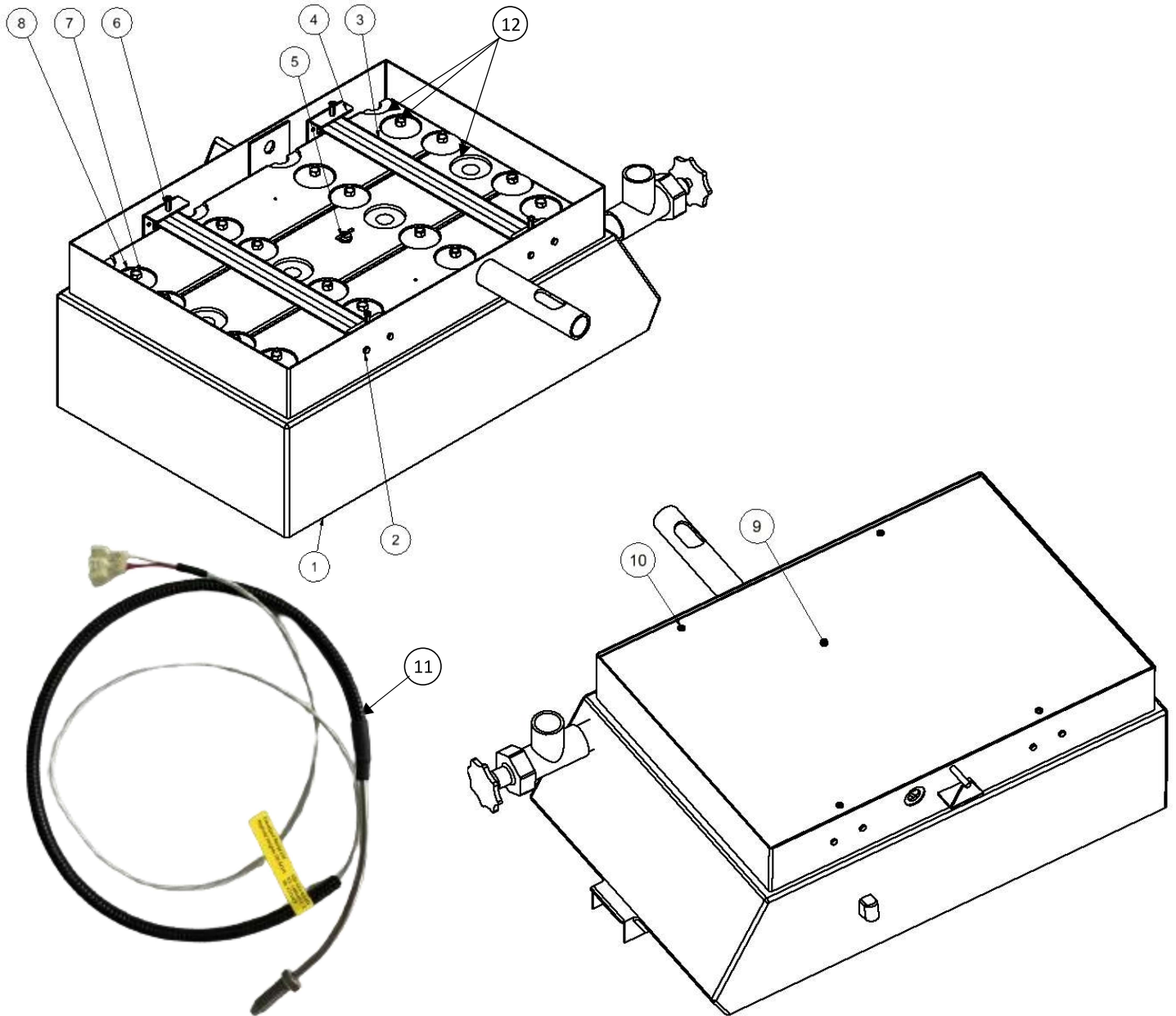
Description: Pan Assembly



Item	QTY	Part Number	Description
1	1	SK00008-1	PAN WELDMENT
2	8	FA11509-8	HEX BOLT, #10-32, 1/2"L
3	2	SK603281	CROSS BAR
4	4	SK603280	CROSS BAR SUPPORT
5	1	KE55340	SAFETY THERMOSTAT BIMETAL
6	4	SK603284	1/2" MALE-FEMALE THREADED HEX STANDOFFS
7	16	FA21024	5/16-18 HEX. NUT
8	16	SK2231500	SPHERICAL WASHER
9	1	SK603282-1	BOTTOM COVER
10	4	FA11145	CROSS HEAD SCREW 10/32X3/8
11	1	SK2345101	RTD SENSOR
12	3	-	SEE HEATING BLOCK TABLE

Assembly Number: SK603312-2

Description: Pan Assembly w/ TD 1.5



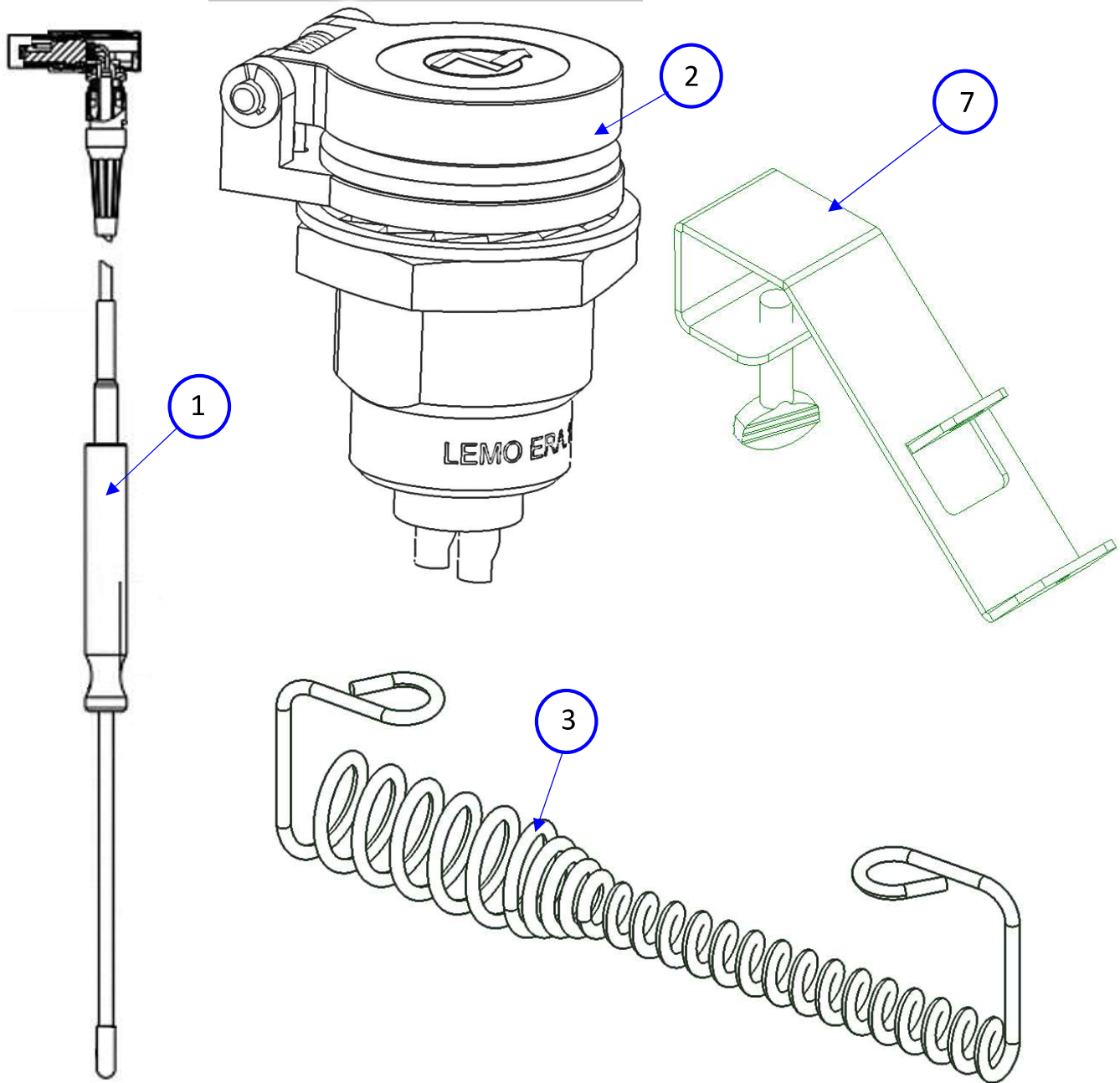
Item	QTY	Part Number	Description
1	1	SK00008-2	PAN WELDMENT W/ TD 1.5
2	8	FA11509-8	HEX BOLT, #10-32, 1/2"L
3	2	SK603281	CROSS BAR
4	4	SK603280	CROSS BAR SUPPORT
5	1	KE55340	SAFETY THERMOSTAT BIMETAL
6	4	SK603284	1/2" MALE-FEMALE THREADED HEX STANDOFFS
7	16	FA21024	5/16-18 HEX. NUT
8	16	SK2231500	SPHERICAL WASHER
9	1	SK603282-1	BOTTOM COVER
10	1	FA11145	CROSS HEAD SCREW 10/32X3/8
11	1	SK2345101	RTD SENSOR
12	3	-	SEE HEATING BLOCK TABLE

Heating Block Table

Voltage	Wattage	Heating Block
208	High Wattage	SK2231498
220		
240		
208	Standard Wattage	SK2231499
220		
240		
220	Standard Wattage	SK2231498
380		
240		
415		
220	High Wattage	SK2231498
380		
240		
415		

Assembly Number: KE003959-5

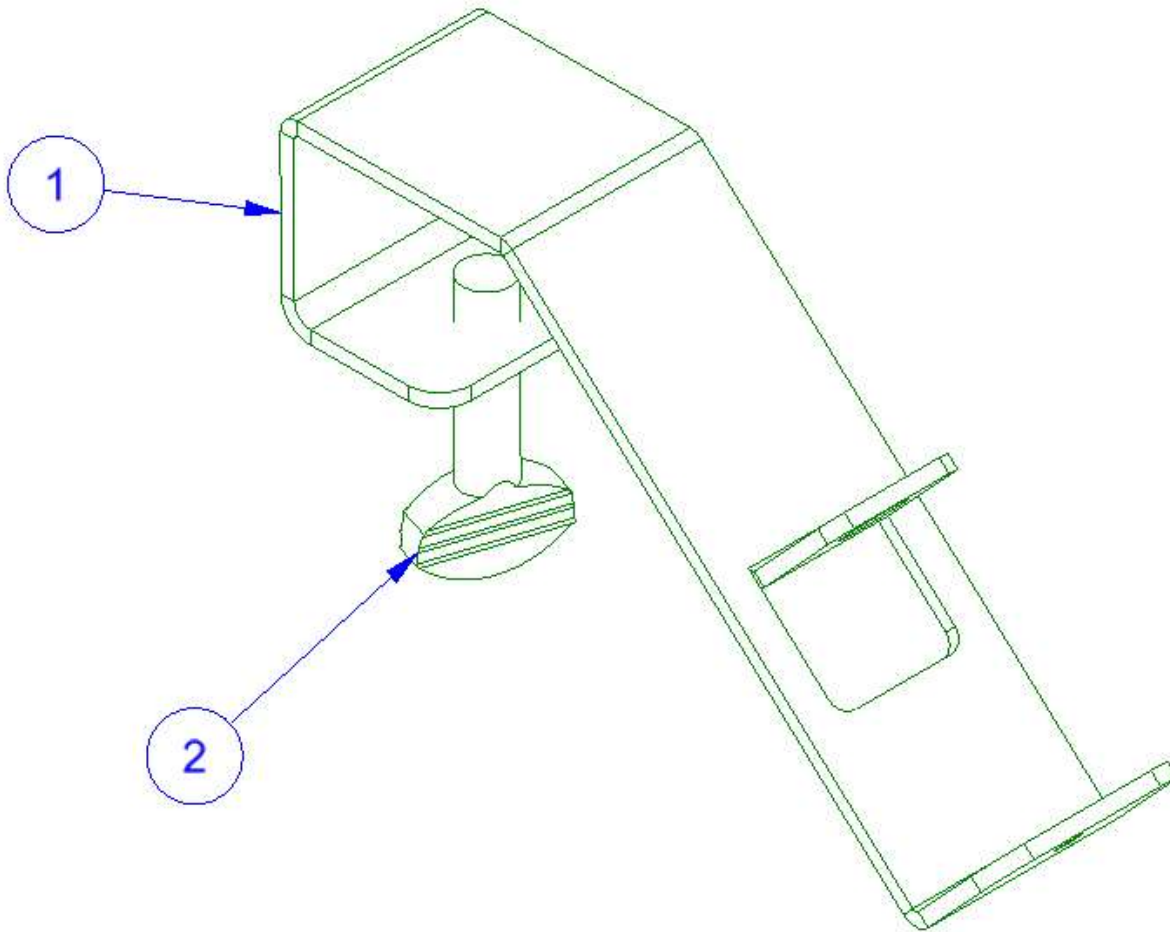
Description: EDC, Temperature Product Probe Kit



Item	QTY	Part Number	Description
1	1	KE604132-2	LONG, RTD PRODUCT PROBE SENSOR
2	1	KE604165	RTD PRODUCT PROBE CONNECTOR
3	1	KE604127	RTD SENSOR HOLDER
4*	2	FA11135	10-24 x 1/2 SCREW, 18-8SS
5*	2	FA31029	SPLIT LOCKWASHER; 1/4"
6*	2	FA21006	HEX NUT; 10-24
7	1	KE004119	PRODUCT PROBE HOLDER ASSY
8*	1	FA05002-57	FDA, BUNA-N, O-RING
9*	3	NPN00009	WIRE JOINT PIGTAIL CONNECTOR #TS-NPAB1

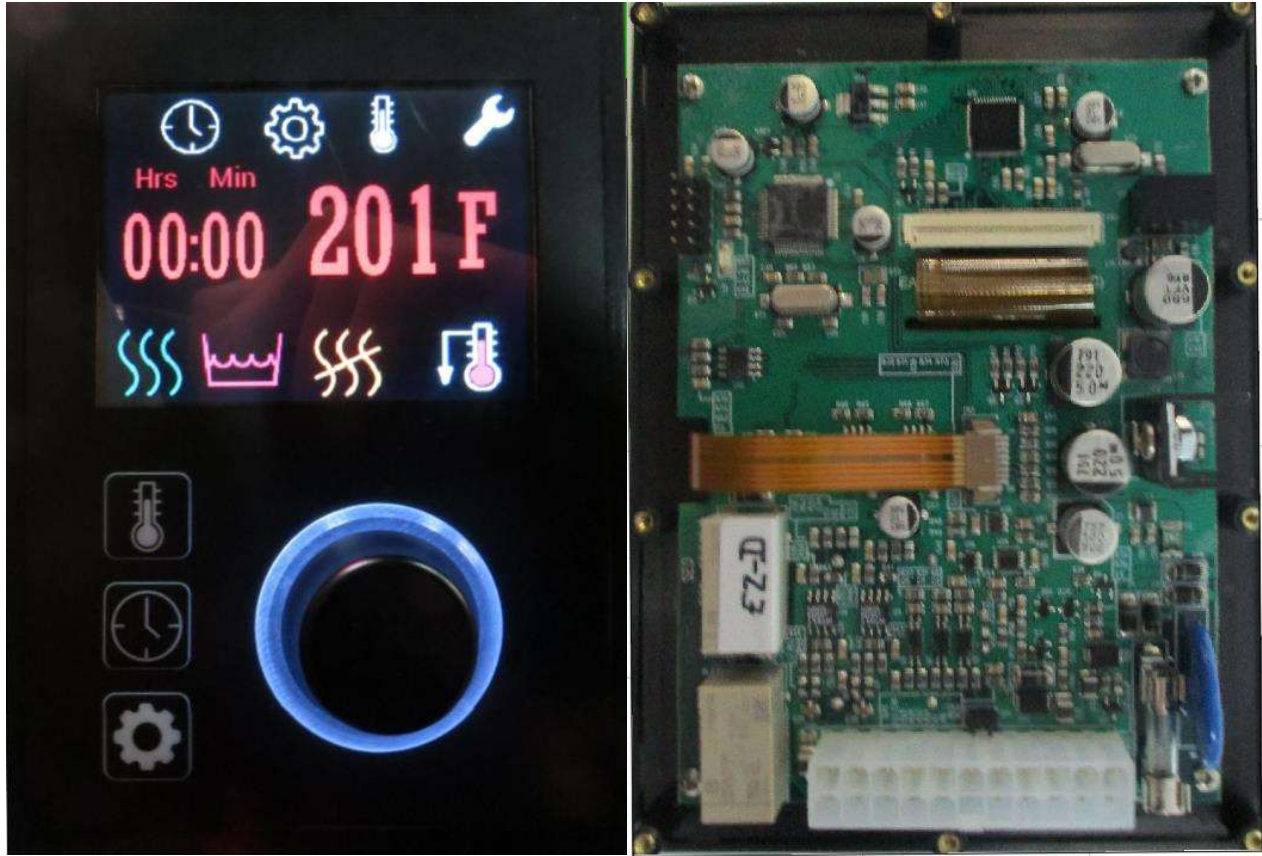
* Not shown

Assembly Number: KE004119
Description: Product Probe Holder



Item	QTY	Part Number	Description
1	1	KE604437	PRODUCT PROBE MOUNT HOLDER
2	1	FA11518-2	THUMB SCREW MODIFICATION

Assembly Number: KE604112
Description: Easy Dial Control

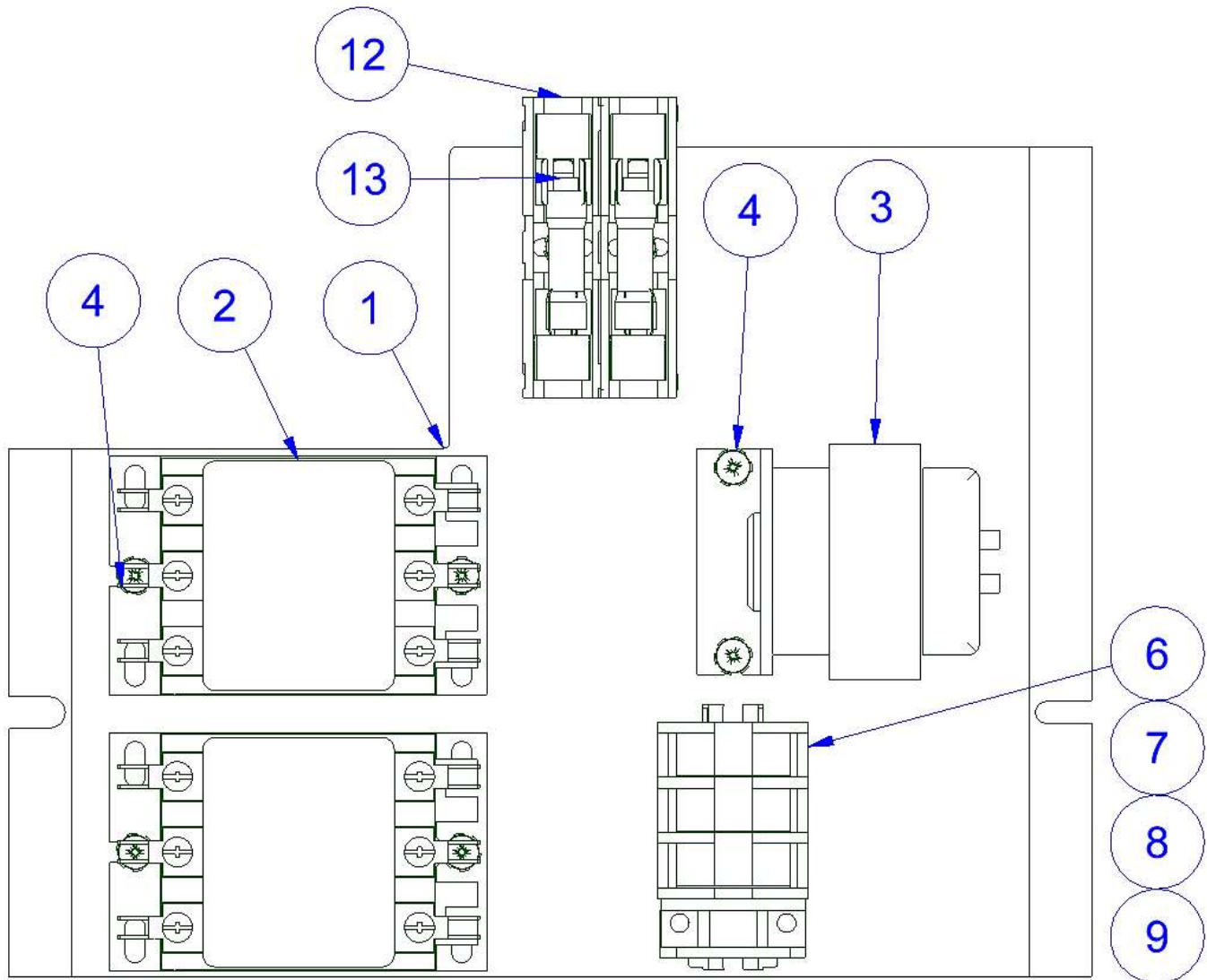


EACH CONTROL COMES WITH THE FOLLOWING:

- 1) KE604144 – SPACER TUBE (QTY. 10).
- 2) FA95111 – 2-56 X 1/2" SCREWS, 18-8 SS (QTY. 10).
- 3) KE604176 – KNOB (QTY. 1).
- 4) INTERTEK CERTIFICATION #. 4000931

Assembly Number: KE003702-1

Description: Component Plate Assembly, EDC

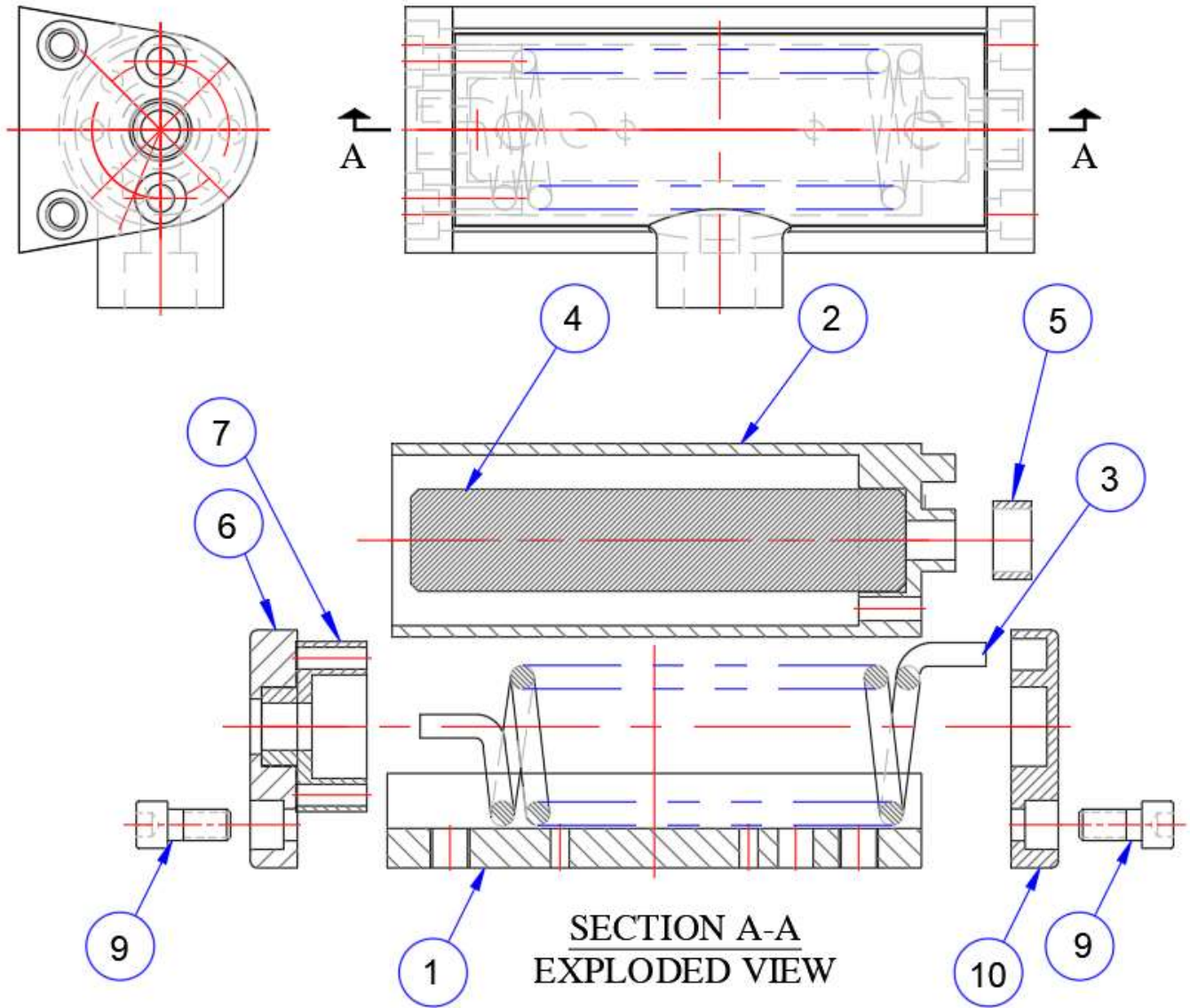


Item	QTY	Part Number	Description
1	1	SK2238201	COMPONENT MOUNT PLATE, EDC
2	2	KE603902-10	CONTACTOR
3	1	KE53838-18	TRANSFORMER
4	8	FA15018-3	PHIL SCREW 8X32X1/4
5	2	FA11089	8-32 X 1/4 PAN PHIL HEAD SS SCREW
6	3	SK50055-1	TERMINAL BLOCK
7	1	SK50054-1	TERMINAL BLOCK END BARRIER
8	1	SK50054-2	TERMINAL BLOCK END ANCHOR
9	1	KE54761	TERMINAL BLOCK MOUNTING RAIL
11*	1	WHSET-10	WIRE HARNESS, SET-10
12	2	KE51139-1	FUSE HOLDER
13	2	KE52936-17	FUSE

* Not shown

Assembly Number: KE00597-7

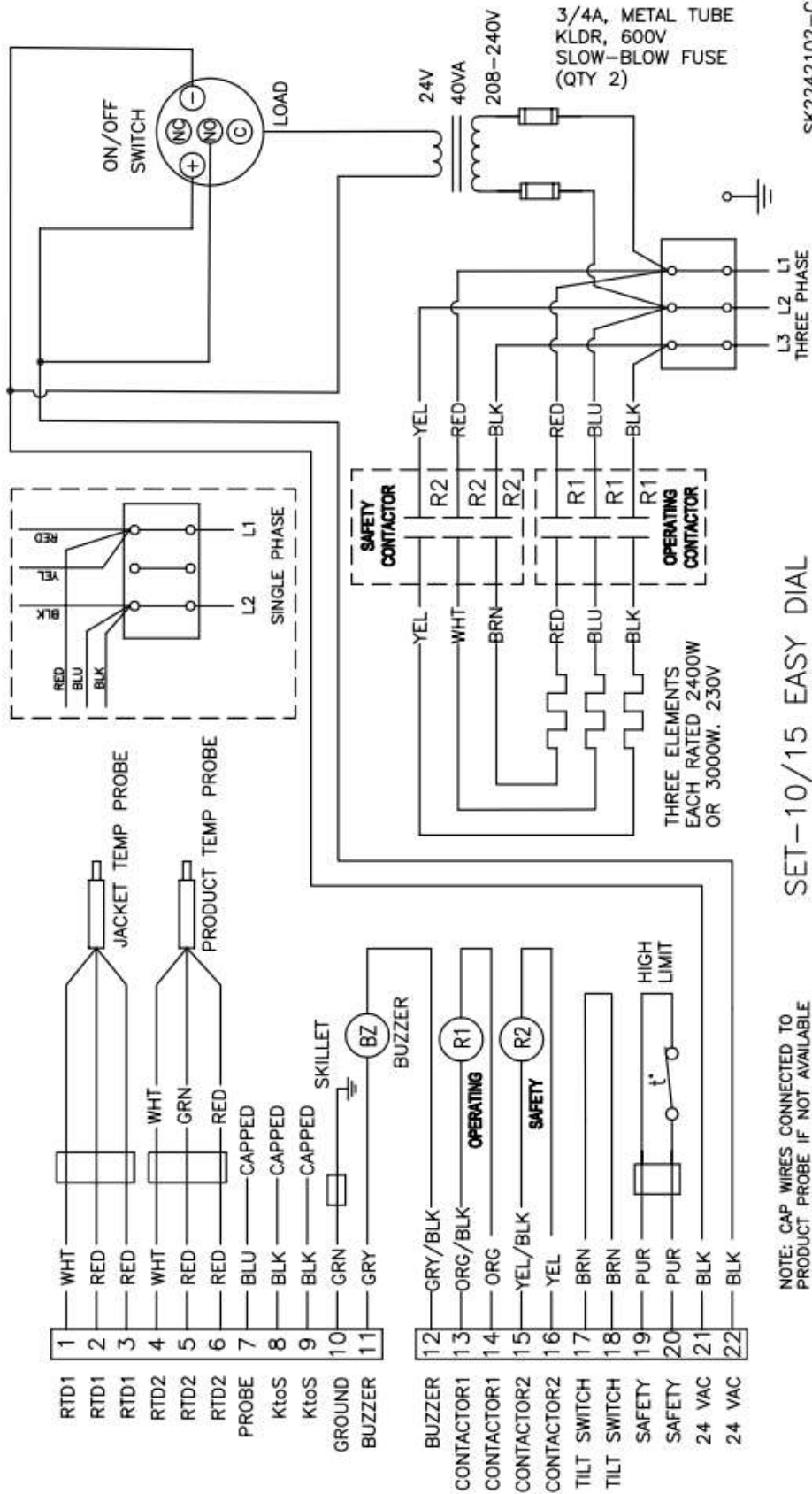
Description: Hinge Assembly CHS



Item	QTY	Part Number	Description
1	1	KE50822	HINGE BASE; CHS
2	1	KE51217	HINGE CYLINDER
3	-	KE50121-1	HINGE SPRING; HEAVY (0.187 DIA/12 COILS)
	-	KE50121-2	HINGE SPRING; LIGHT (0.162 DIA/16 COILS)
	1	KE50121-3	HINGE SPRING; HEAVY (0.187 DIA/12 COILS) LH
4		KE50823-1	HINGE PIN; LIGHT SPRING
	-	KE50823-2	HINGE PIN MODIFD; HEAVY SPRING
5	1	KE50824	HINGE BEARING; MODIFIED
6	1	KE50819	HINGE END PIECE; RHS
7	1	KE50820	HINGE INSERT; CHS
8	-	KE50819-1	HINGE END PIECE; LHS
	-	KR50819-2	HINGE END PIECE; LHS MODIFIED (TO 100 DEGREE)
9	4	FA11284	SCREW; 1/4-20 X 1/2" HEX SOCKET
10	1	KE50819-3	HINGE END PIECE; LHS

Assembly Number: SK2242102

Description: Wiring Diagram, 208, 220, 240V, SET-10/15, EDC



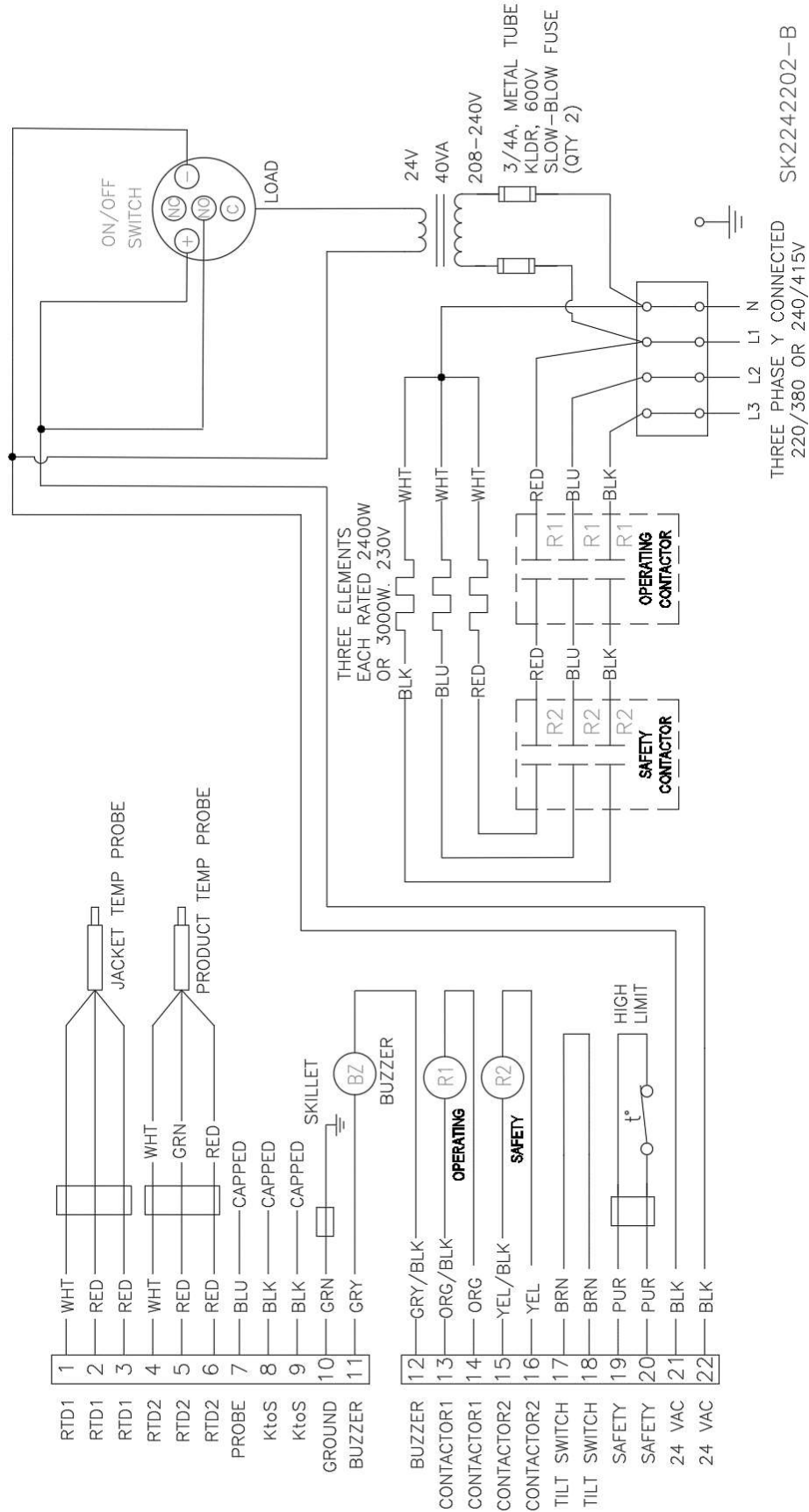
SK2242102-C

SET-10/15 EASY DIAL

NOTE: CAP WIRES CONNECTED TO PRODUCT PROBE IF NOT AVAILABLE

Assembly Number: SK2242202

Description: Wiring Diagram, 220/380, 240/415V, SET-10/15, EDC



Cleveland

Service/Parts:

1-844-724-2273

US: Press #4 after prompt to be directed to Technical Services. Press #2 after prompt to be directed to Cleveland.

Canada: Press #1 after prompt to be directed to service in Canada.

Every new piece of Welbilt Foodservice equipment comes with KitchenCare® and you choose the level of service that meets your operational needs from one restaurant to multiple locations

StarCare – Warranty & lifetime service, certified OEM parts, global parts inventory, performance audited

ExtraCare – CareCode, 24/7 Support, online/mobile product information

LifeCare – Install & equipment orientation, planned maintenance, KitchenConnect™, MenuConnect®

Talk with KitchenCare® • 1-844-724-CARE • www.mtwkitchencare.com



To learn how Welbilt Foodservice and its leading brands can equip you, visit our global web site at www.welbilt.com, then discover the regional or local resources available to you.

©2016 Welbilt Foodservice except where explicitly stated otherwise. All rights reserved. Continuing product improvement may necessitate change of specifications without notice