

TRI-LEG/PEDESTAL, DIRECT STEAM

STATIONARY, 2/3 STEAM JACKETED

25, 40, 60, 80, 100, 125, 150, 200 OR 250 GALLONS
 (100, 150, 225, 300, 375, 475, 575, 760 OR 950 LITERS)

Project _____
 Item _____
 Quantity _____
 FCSI Section 11400 _____
 Approved _____
 Date _____

Models

- KDL-25 • KDL-80 • KDL-150 • KDP-40
- KDL-40 • KDL-100 • KDL-200 • KDP-60
- KDL-60 • KDL-125 • KDL-250 • KDP-80
- KDP-100



Shown with optional Steam Control Kit

- For Tri-leg Models: Tri-leg supports of 1.63" O.D., Type 304 Stainless Steel tubular construction, with level adjustable Flanged Feet for Floor Bolting
- For Pedestal Models: Pedestal support of Type 304 Stainless Steel with .75" thick floor plate, (level adjustable for sloping floors), comes with Stainless Steel Collar for sealing
- Faucet Mounting Bracket
- Steam Control Inlet Valve
- Typical approvals include NSF and ASME

Options & Accessories

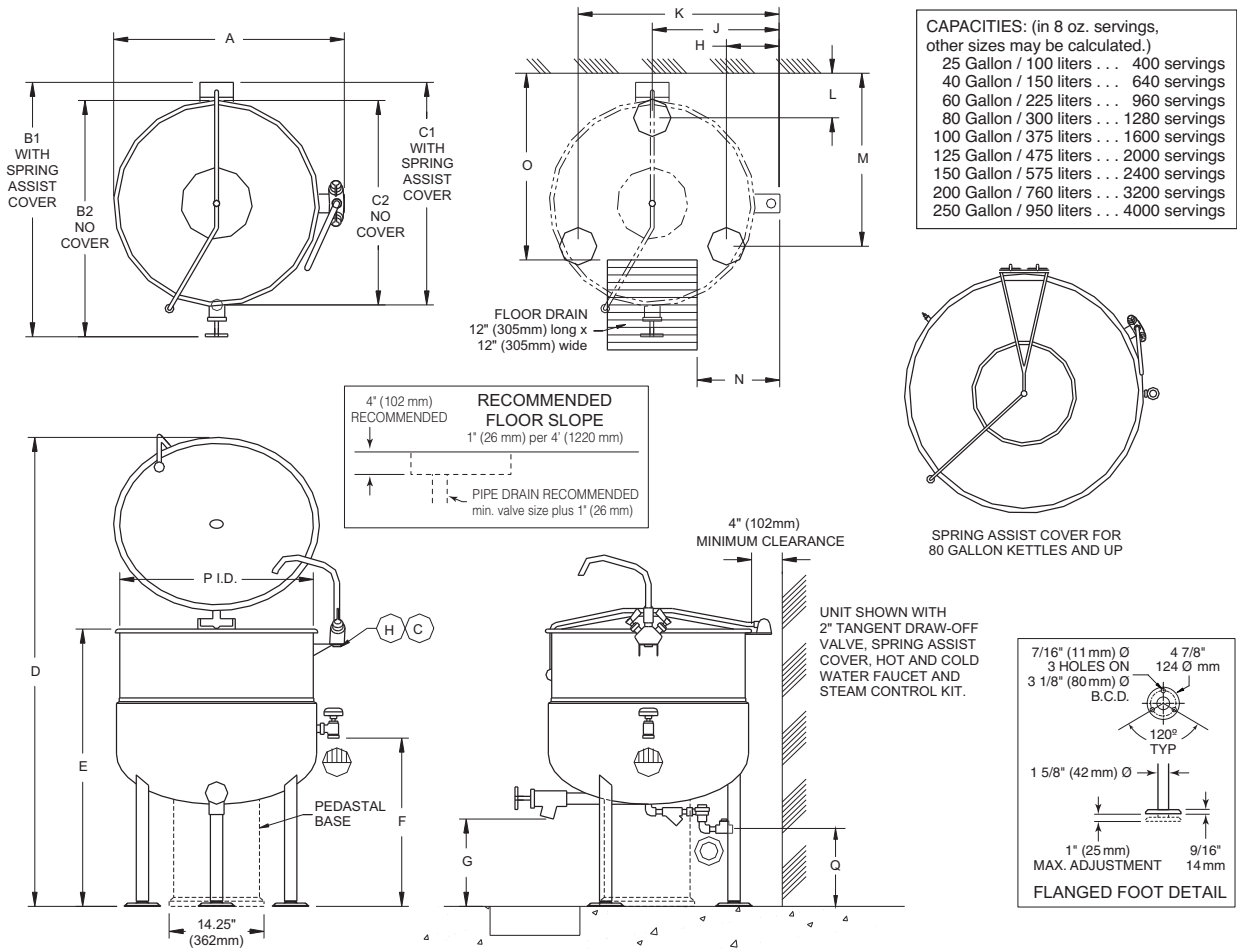
- Type 316 Stainless Steel Kettle Liner for high acid food products (316-G)
- Lift-off Covers (CL)
- Chrome plated Steam Control Kit includes: Steam Traps, Condensate Strainers, Check Valves, nipples and fittings, factory assembled and mounted on kettle (SCK1)
- 100 psi Pressure Option (PO) (for 125 gallons and larger)
- Cooking Baskets and Tri-Basket Supports (BS and TBS)
- Measuring Strips (MS)
- Gallon Markings (KM)
- Kettle Accessory Kit (KAK) includes:
 - Clean-up Brush (CB)
 - 36" Kettle Paddle (KP)
 - 36" Kettle Whip (KW)
 - 36" Kettle Brush (KB)
 - Draw-off Brush (DB)
 - 24 oz. Ladle (KL)
- Pressure Reducing Valve for regulating incoming steam pressure of over 45 psi (PRV-K)
- Hot and cold or cold only Kettle Filler with 60" Hose (DKF-K or SKF-K)
- Automatic Water Meter (GMF or LMF)
- Drain Strainers (DS-)
- Water Meter Stand (SWM)
- 3" diameter Tangent Draw-Off Valve w/Strainer (TD3)
- 3" diameter Butterfly Valve (BV3)
- Pre-Rinse Spray Head and Hose (PRSK)
- Correctional Packages
- Insulated Outer Jacket (IOJ)

Short Form Specifications

Shall be CLEVELAND, Direct Steam Kettle, Tri-leg or Pedestal stationary, Model KD __ - ____ . 2/3 Steam Jacketed, Type 304 Stainless Steel with 50 psi Steam Jacket Rating on 80 - 100 gallon, 35 psi on 125 gallon and larger. Supports to be Stainless Steel. Includes spring-assisted, Domed Cover and 2" Tangent Draw-off Valve; heavy re-enforced Rolled Rim. To operate, connect directly to a steam source supplying from 5 to 45 psi steam.

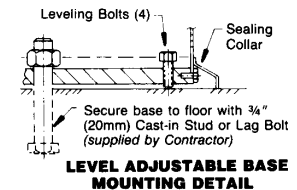
Standard Features

- Spring-assisted Cover: domed, hinged, one-piece rotatable (not available on KDL-250)
- Type 304 Stainless Steel construction, #4 finish on kettle and supports
- 2" diameter Tangent Draw-off Valve with Drain Strainer
- 50 psi Steam Jacket Rating on 25 - 100 gal. models, 35 psi Steam Jacket Rating on 125 - 250 gal. models
- 50 psi chrome plated Safety Valve on 25 - 100 gal. models, 35 psi chrome plated Safety Valve on 125 - 250 gal. models
- Condensate Drain Valve with insulated handle


DIMENSIONS

GALS/ LITERS	A	B1	B2	C1	C2	D	E	F	G	H	J	K	L	M	N	O	P.I.D.	Q
25	IN 26 1/2	32	29 3/16	26 7/8	24 1/8	59	37	22 1/8	14 1/2	7	14 3/4	22 1/2	6 3/8	19 13/16	8 3/4	22 3/16	21	12 1/2
100	mm 674	813	742	683	613	1499	940	639	369	178	375	572	162	504	223	564	534	318
40	IN 31 1/8	35 7/8	33 1/16	31 3/16	28 7/16	62 1/8	36 7/8	22 1/2	12 1/2	7 11/32	17 1/4	27 5/32	6 13/32	23 9/16	11 1/4	26 7/16	26	10 1/2
150	mm 791	912	408	793	723	1578	937	572	318	187	362	690	163	599	286	672	661	267
60	IN 34 5/8	38 7/8	36 1/8	34 1/8	31 3/8	69 3/4	39	21 7/8	11 1/8	7 5/8	19	30 1/8	6 3/8	26 1/4	13	29 3/8	29 1/2	9 1/8
225	mm 879	988	918	867	797	1772	991	556	283	194	483	766	162	667	331	747	750	232
80	IN 38 1/8	41 1/4	38 1/2	36 1/2	33 3/4	74 7/8	40 7/8	23	11	7 3/4	20 3/4	33 3/4	6 3/8	28 3/4	14 3/4	31 3/4	33	9
300	IN 969	1048	978	928	858	1902	1039	585	280	197	528	858	162	731	375	807	839	229
100	IN 40 5/8	43 1/8	40 3/8	38 3/8	35 5/8	79 3/8	43	23 7/8	11 1/8	8	22	36	6 3/8	30 3/4	16	33 5/8	35 1/2	9 1/8
375	mm 1032	1096	1023	975	905	2017	1093	607	283	204	559	915	162	782	407	855	902	232
125	IN 45 1/8	46 5/8	43 1/2	41 7/8	38 3/4	83 1/4	43	24 7/8	10 7/8	8 1/4	24 1/4	40 1/4	6 3/8	34	18 1/4	36 3/4	40	8 7/8
475	mm 1147	1185	1105	1064	985	2115	1092	632	277	210	616	1023	162	864	464	934	1016	225
150	IN 45 1/8	46 5/8	43 1/2	41 7/8	38 3/4	86 3/8	47 7/8	24 7/8	10 7/8	8 1/4	24 1/4	40 1/4	6 3/8	34	18 1/4	36 3/4	40	8 7/8
575	mm 1147	1185	1105	1064	985	2245	1217	632	277	210	616	1023	162	864	464	934	1016	225
200	IN 50 1/8	46 5/8	43 3/8	41 7/8	38 3/4	94	49 1/4	29 3/8	10 5/8	7 7/8	26 3/4	45 5/8	7 1/4	34 3/8	20 3/4	36 3/4	45	8 5/8
760	mm 1274	1185	1102	1064	985	2388	1251	747	270	201	680	1159	185	874	528	934	1143	219
250	IN 53 1/8	48 7/8	45 5/8	44 1/8	39 1/4	104 1/4	54	32 3/4	10 1/4	8 1/8	28 1/4	48 3/8	7 1/4	36 7/8	22 1/4	37 1/4	48	8 1/4
950	mm 1350	1242	1159	1121	997	2648	1372	82	261	207	718	1229	185	937	566	947	1220	210

DIRECT STEAM	DRAINAGE	WATER	CLEARANCE
Steam Supply: • Furnish 3/4" IPS minimum line. • Operating Pressure 5 to 45 psi.	1/2" NPT Condensate Return with Strainer and Trap.	1/2" NPT Hot Water Inlet 1/2" NPT Cold Water Inlet When ordered with optional faucet.	RIGHT = 0" LEFT = 0" REAR = 4.00"


NOTES:

Cleveland Range reserves right of design improvement or modification, as warranted.
 Many regional, state and local codes exist and it is the responsibility of the owner and installer to comply with the codes.
 Installation of backflow preventers, vacuum breakers and other specific code requirements is the responsibility of the owner and installer.
 Cleveland Range equipment is built to comply with applicable standards for manufacturers. Included among those approval agencies are U.L., A.G.A., NSF, ASME/N.Bd., CSA, CGA, ETL and others.

(NOT TO SCALE)