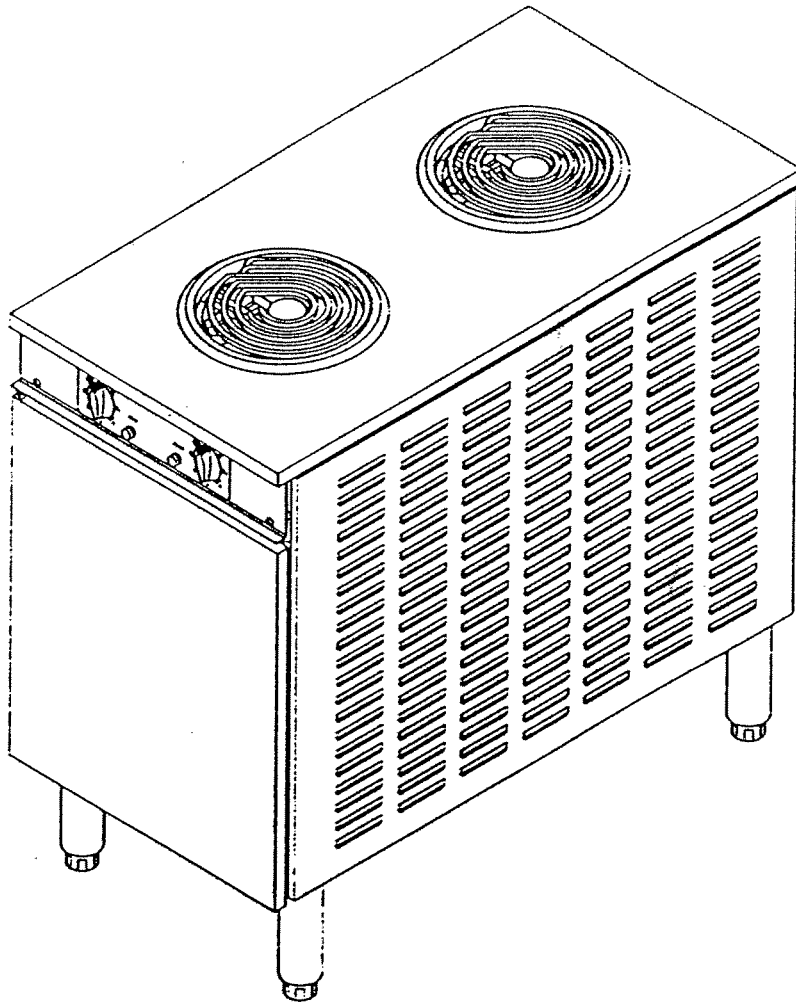


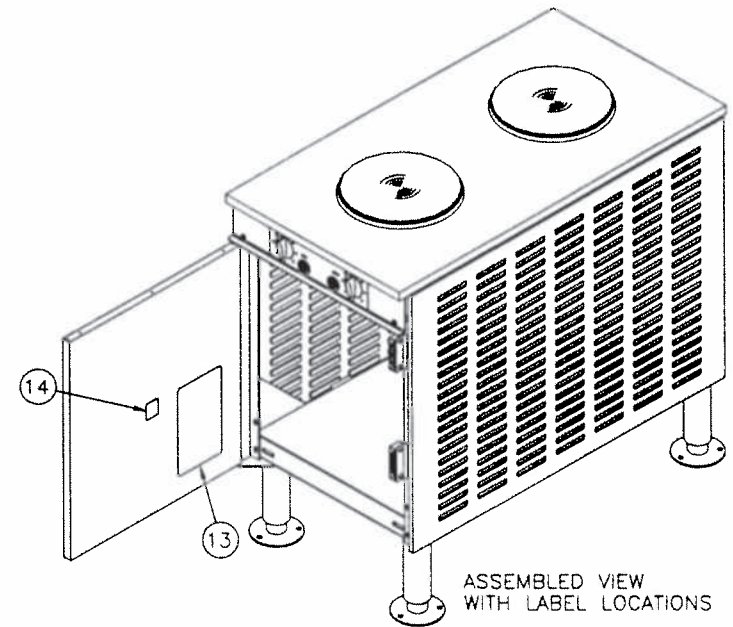
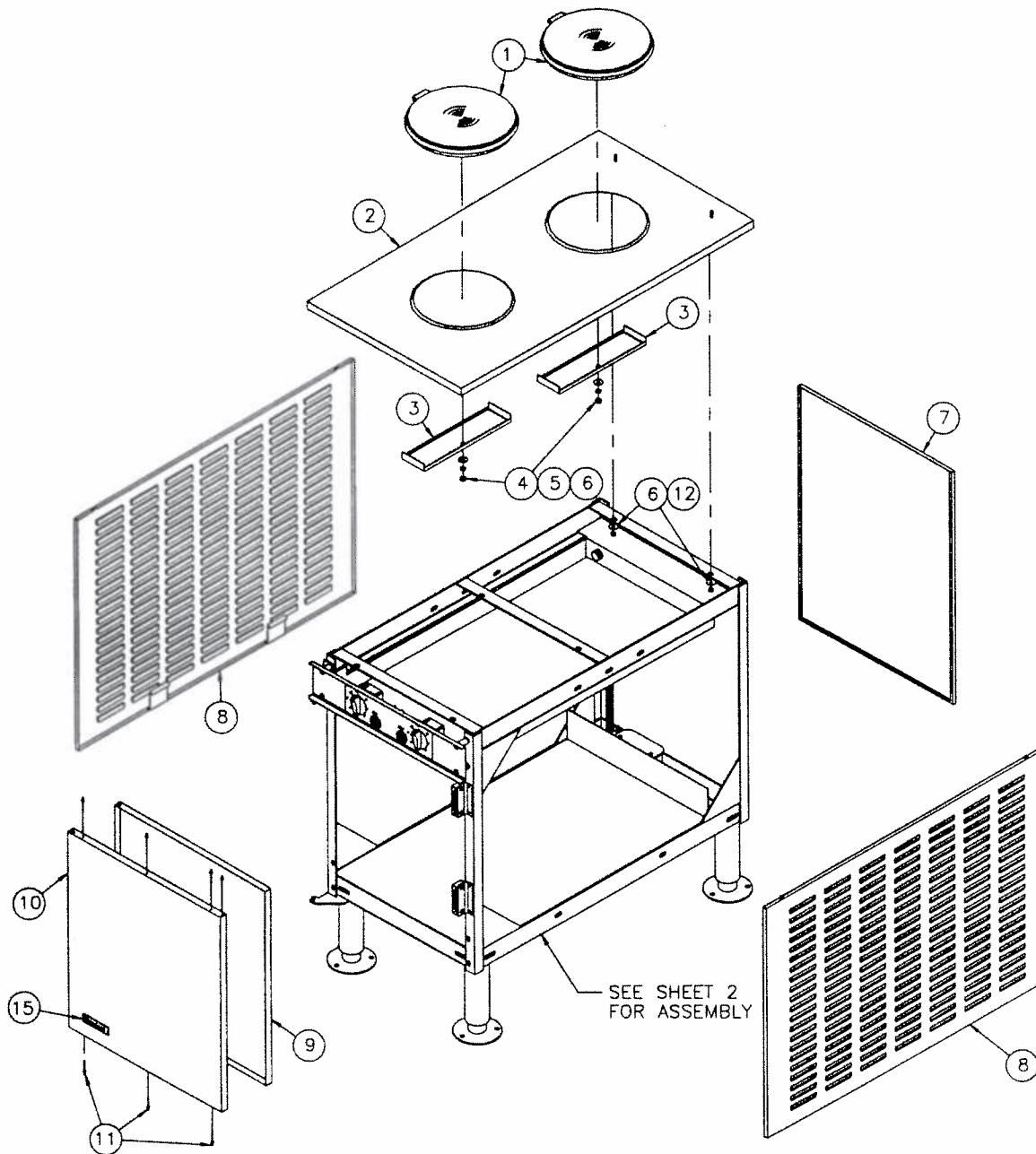
New Style



Electric Hot Plate
450HPM

06155 - Facet
06107 -

LET.	REVISION	DATE	BY
A	ADDED SHEET 2 OF 2: BASE AL... DWC #106628; ADDED P/N's 106819, KE95137, 101231, 107046, 107047, 107029, 107091; P/N 107021 WAS 08223, P/N 1014321 WAS 700361, P/N 108000 WAS 104763, 19298 WAS 19108, P/N 105249 WAS 17. DELETED P/N's 106614, 106615 & 106619 PER E.O. #C-2679.	07-07-94	ENG
B	1-QTY WAS 14, 2-P/N WAS KE95137, 3-P/N WAS 19298, 4-QTY WAS 3, 5-QTY WAS 1, 6-TOOK OUT P/N 19552 QTY 2, 7-P/N WAS 06156 8-P/N WAS 108000, 9-DWC # WAS 450HPEN, 10-QTY WAS 8, PER EO# C6085	8-9-01	DZ

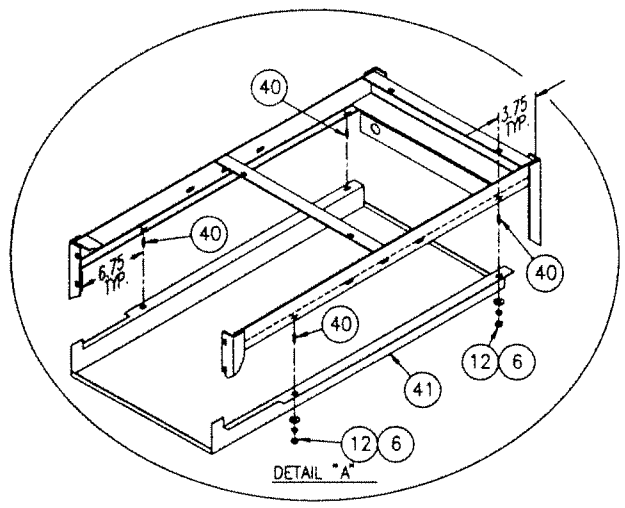


SEE SHEET 2 FOR B.O.M.

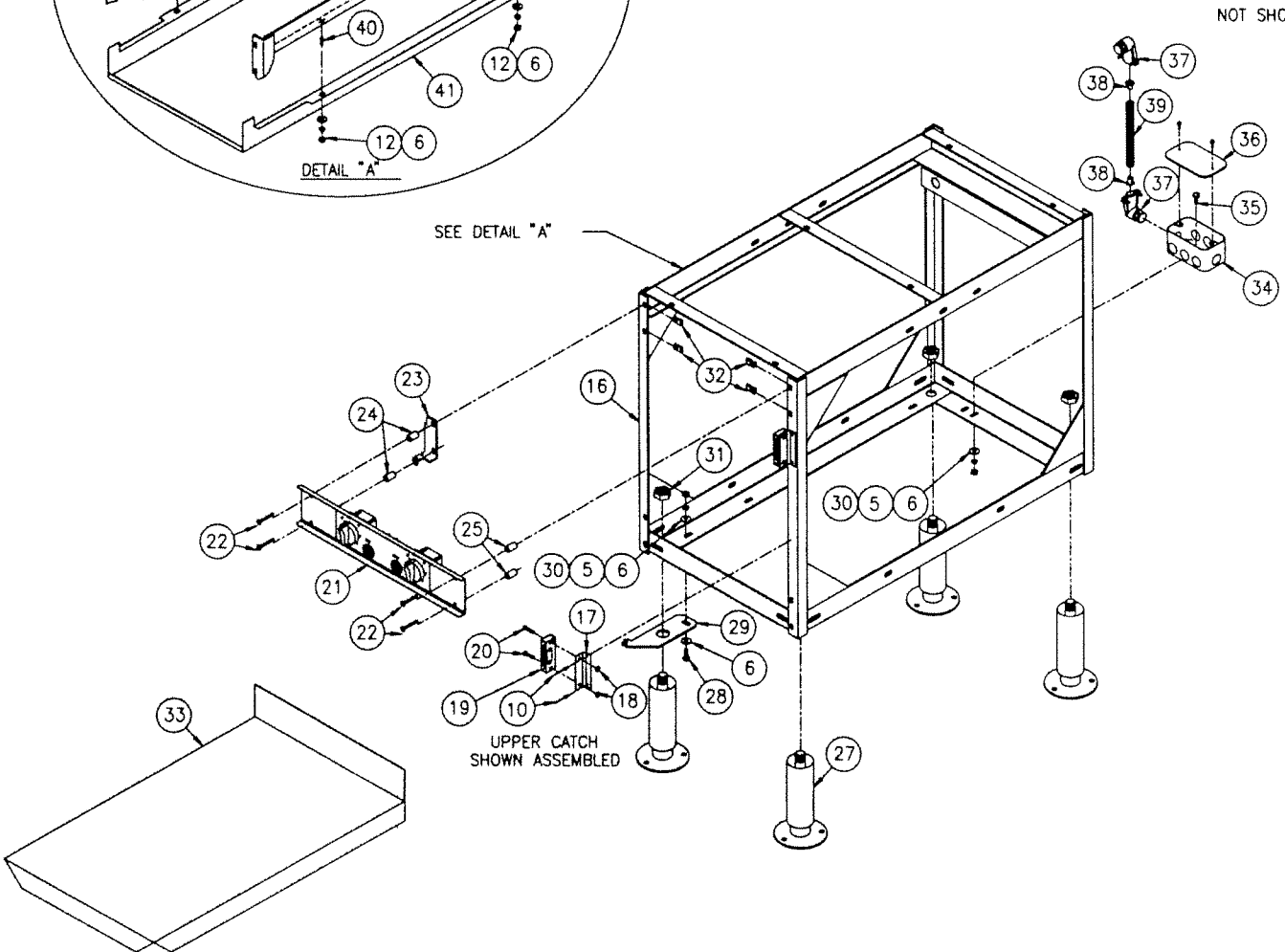
ITEM	QTY	PART NO.	DESCRIPTION
CLEVELAND RANGE INC.			
1333 East 170th St. Cleveland, Ohio 44110-2574			
TOLERANCES EXCEPT AS NOTED		SCALE 1=1	DRAWN BY DUTCHMAN APPROVED BY
DECIMAL ±0.030			
ANGULAR ±1°		TITLE ELECTRIC HOT PLATE 450 MODULAR BASE	
AC	DATE 08-03-93	DRAWING NO. C-HPB0001	SHEET 1 OF 2 REV B

THIS DESIGN DESCRIBES A PROPRIETARY ITEM AND IS THE PROPERTY OF CLEVELAND RANGE.
THIS DRAWING IS NOT TO BE COPIED OR USED WITHOUT THE APPROVAL OF CLEVELAND RANGE.

69



SEE DETAIL "A"

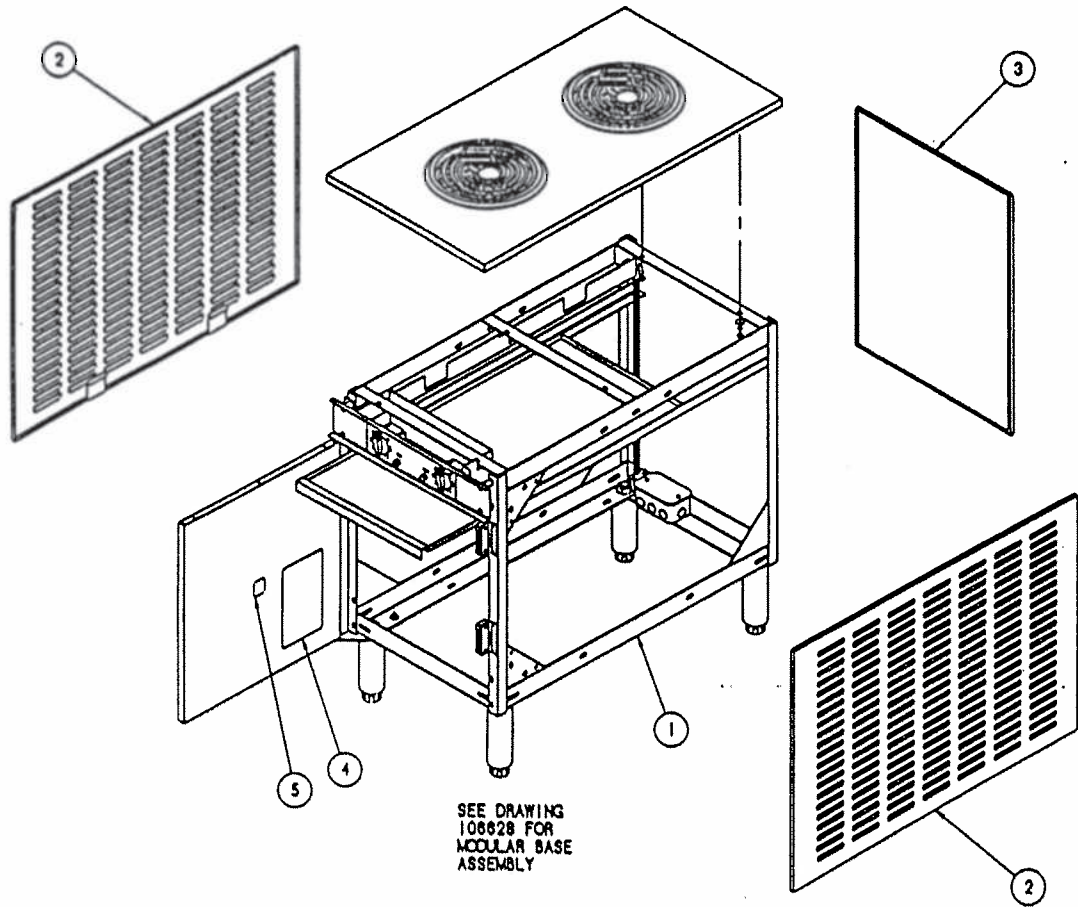


NOT SHOWN

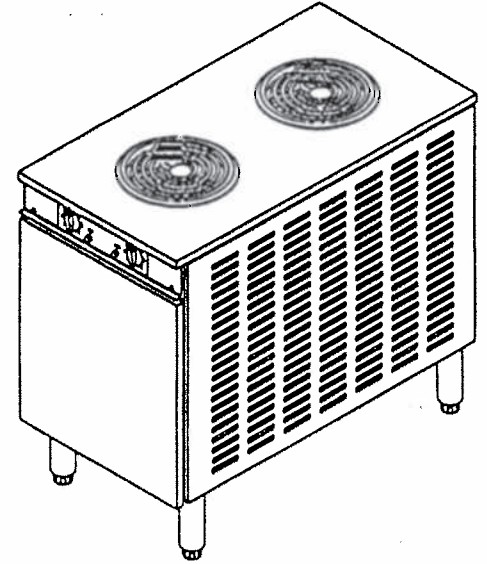
	42	1	106631	WIRING HARNESS, ELECTRIC HOT PLATE
▲	41	1	107046	ENCLOSURE, WIRE, S/S, ELECT. HOTPLATE
▲	40	4	19927	STUD, WELD 10-24 X .625" 304 SST
▲	39	1	1052492100	CONDUIT, GREENFIELD 1/2" X 21", ALUM.
	38	2	105561	BUSHING, ANTISHORT 3/8" SIZE #1
	37	2	105247	CONNECTOR, GREENFIELD 1/2" X 90°
	36	1	02368	HANDI-BOX COVER
	35	1	19218	SCREW, HEX HEAD 1/4-20 X 3/8
	34	1	02361	HANDI-BOX ELECTRIC BOX
▲	33	1	106919	FLOOR, GAS/ELECT. HOTPLATE 18"/450 MM
▲	32	4	108734	NUT, SUP-ON, 10-24, EXTRUDED THREAD
	31	4	14668	NUT, HEX JAM 3/4-10
	30	2	14618	NUT, HEX #1/4-20 SST
	29	1	1020662	HINGE, LOWER, LEFT
	28	1	19288	SCREW, HEX HEAD 1/4-20 X 3/4
▲	27	4	06162	FOOT, 6", FLANGED, TRIBOLT
▲	26	-	-	-
▲	25	2	195555	SPACER, CONSOLE, MODULAR BASE 0.947
▲	24	2	19555	SPACER, CONSOLE, MODULAR BASE 0.812
▲	23	1	412182	BRACKET ASS'Y, TOP HINGE, L.S.
▲	22	4	106698	SCREW, TRUSS PHLPS, 10-24 X 1-1/2, SST
▲	21	1	1064152	CONSOLE, INTERMEDIATE ASSEMBLY
	20	4	19206	SCREW, RD. HEAD 6-32 X 1 ZINC PLTD.
	19	2	03100	CATCH, MAGNETIC
	18	4	14674	NUT, HEX 6-32 ZINC PLATED
	17	2	53274	CLIP, MAGNET CATCH, SST
	16	1	408711	BASE WELDMENT, 450 MM, SST
▲	15	1	1059011	LABEL, NAMEPLATE SST
	14	1	104350	LABEL, WELBILT SERVICE HOTLINE
	13	1	106432	LABEL, WIRING DIAGRAM
	12	6	14692	NUT, HEX LOCK ELASTIC, 10-24 ZINC PLTD
	11	A/R	18358	RIVET 1/8" DIA. FLUSH BREAK SST
	10	1	542432	DOOR, BASE, OUTER, 18"/450 MM
	9	1	54249	DOOR, BASE, INNER, 18"/450 MM
	8	2	101527	PANEL ASS'Y, SIDE, 430, SST
	7	1	105063	PANEL, REAR, 450 MM, A.C.S.
▲	6	11	23116	WASHER, FLAT 1/4 X 5/8 X .065
▲	5	4	23105	WASHER, SPLIT LOCK, 1/4 ZINC PLATED
▲	4	2	107091	NUT, METRIC PREVAILING TORQUE, M6 X 1.0 MM
▲	3	2	107029	CLAMP, SUPPORT, HEATER ELEMENT
▲	2	1	1014321	TOP ASS'Y TABLE, 450MM ELEC HOTPLATE
▲	1	2	107021	HEATER, HOTPLATE ELEMENT, ELEC HOTPLT
	ITEM	QTY.	PART NO.	DESCRIPTION

TOLERANCES (EXCEPT AS NOTED)				CLEVELAND RANGE INC. 1333 East 179th St. Cleveland, Ohio 44110-2574	
DECIMAL ± N/A	SCALE 5/32=1"	DRAWN BY DUTCHMAN	APPROVED BY		
ANGULAR ± N/A	TITLE ELECTRIC HOT PLATE 450 MM MODULAR BASE				
CK	DATE 08-03-93	DRAWING NO. C-HPB0001	SHEET 2 OF 2		REV. B

THIS DESIGN DESCRIBES A PROPRIETARY ITEM AND IS THE PROPERTY OF CLEVELAND RANGE. THIS DRAWING IS NOT TO BE COPIED OR USED WITHOUT THE APPROVAL OF CLEVELAND RANGE.



SEE DRAWING
108028 FOR
MODULAR BASE
ASSEMBLY



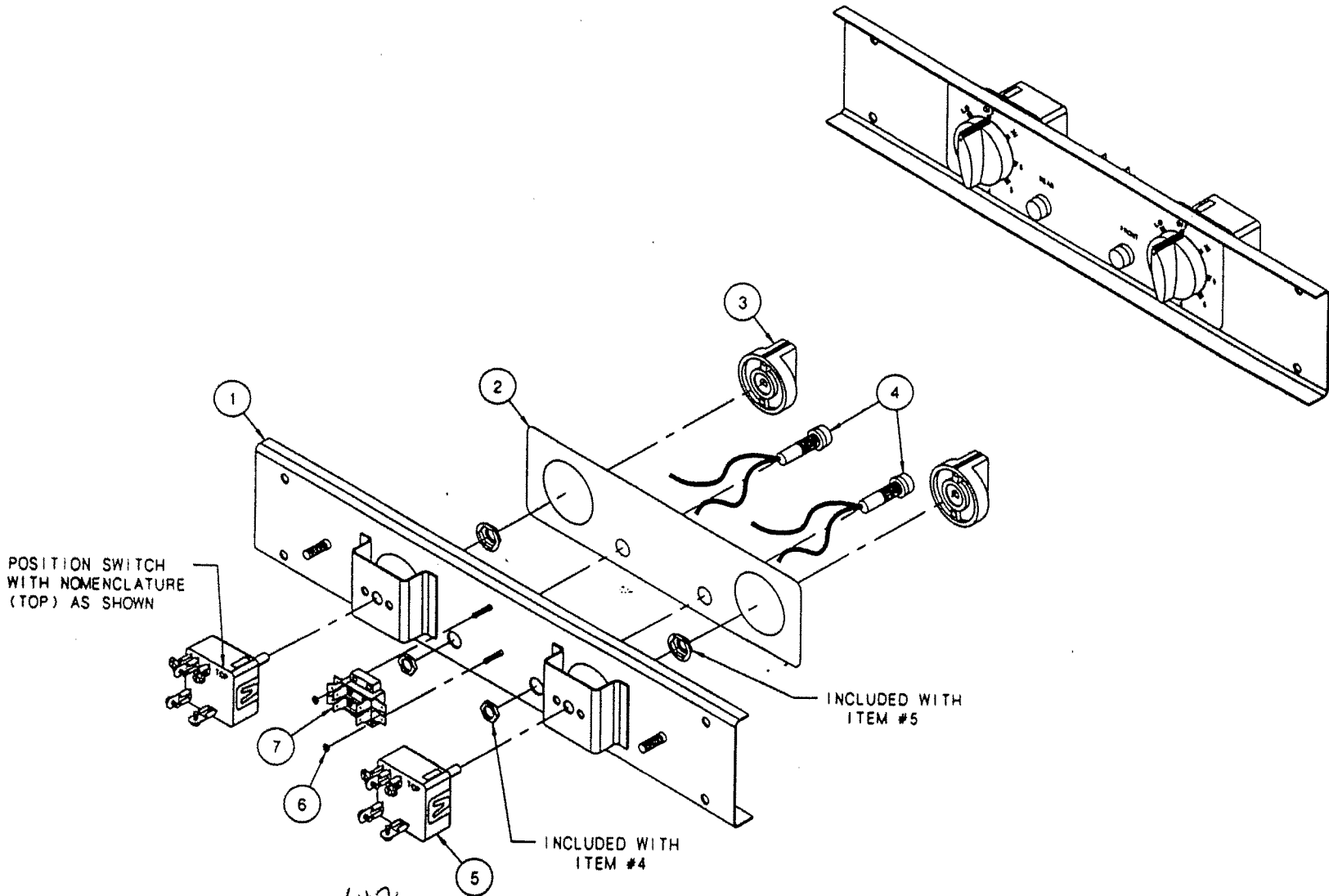
ASSEMBLED ELECTRIC HOT PLATE

ITEM	QTY.	PART NO.	DESCRIPTION
5	1	104350	LABEL, WELBILT SERVICE HOTLINE
4	1	108432	LABEL, WIRING DIAGRAM
3	1	86137	PANEL, OUTER, REAR, 450 MM
2	-	86135	SIDE PANEL & CLIPS 30" 430 S/S
2	-	101527	SIDE PANEL & CLIPS 30" 304 S/S
1	1	108028	HOT PLATE, ELECTRIC, MODULAR BASE

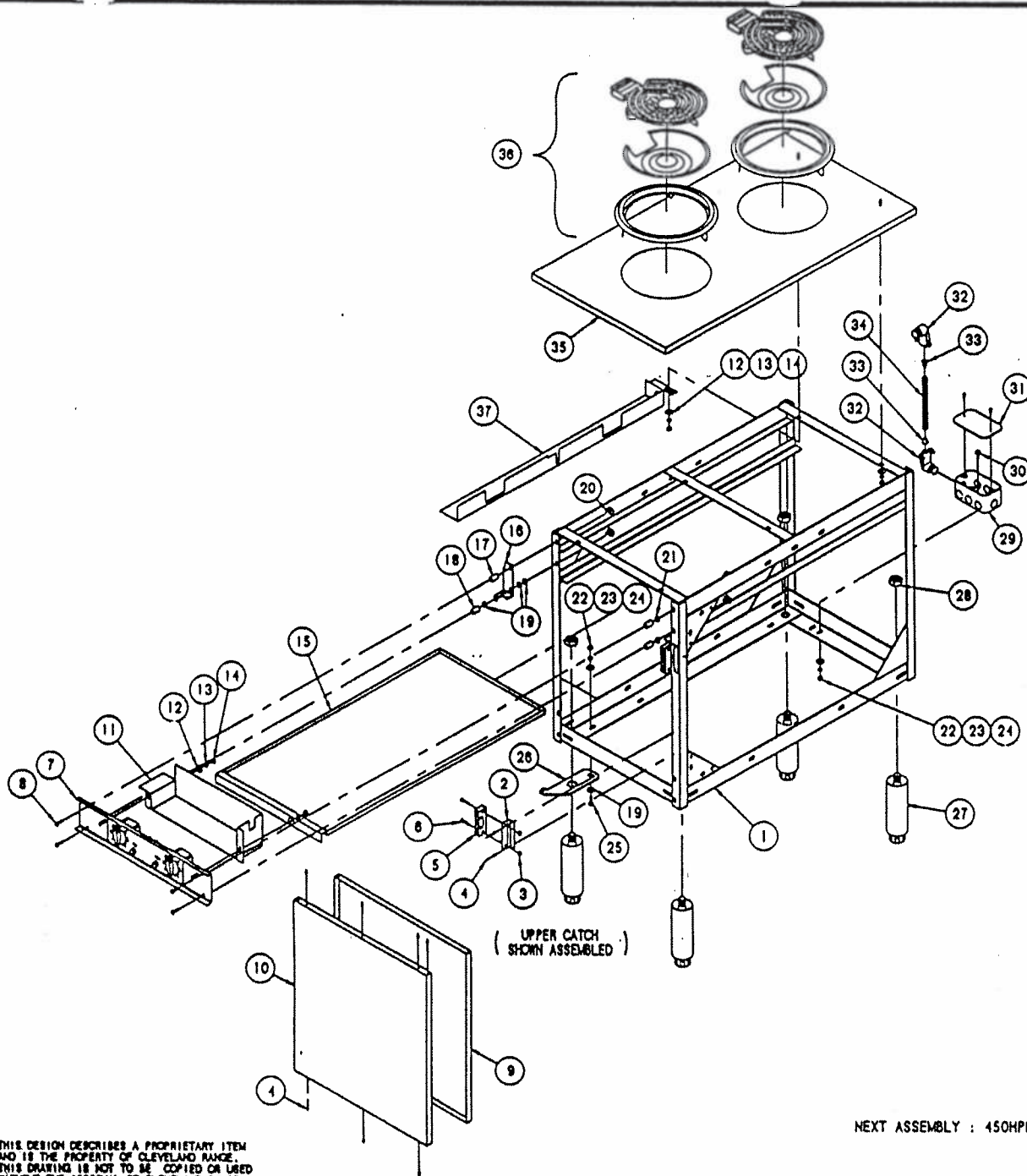
TOLERANCES UNLESS AS NOTED		CLEVELAND RANGE INC. 1333 East 179th St. Cleveland, Ohio 44110-2574	
DECIMAL ± N/A	SCALE 1/4" = 1"	DRAWN BY DUTCHMAN	APPROVED BY
ANGULAR ± N/A	TITLE ELECTRIC HOT PLATE 450 MODULAR BASE		
CK	DATE 08-03-93	DRAWING NO. C - 450HPFM	REV. -

THIS DESIGN DESCRIBES A PROPRIETARY ITEM AND IS THE PROPERTY OF CLEVELAND RANGE. THIS DRAWING IS NOT TO BE COPIED OR USED WITHOUT THE APPROVAL OF CLEVELAND RANGE.

CONSOLE ASSEMBLY



SEE REVERSE SIDE FOR PARTS LIST



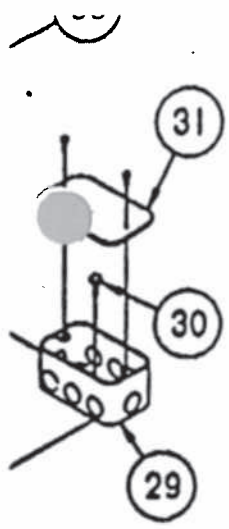
NOT SHOWN

ITEM	QTY.	PART NO.	DESCRIPTION
38	1	106631	WIRING HARNESS, ELECTRIC HOT PLATE
37	1	108814	ENCLOSURE, WIRE RUN CHANNEL
36	2	08223	HEATER, HOT PLATE ELEMENT W/8" RING
35	1	700301	TOP, ASSY, TABLE, 450 MM
34	1	1052491200	CONDUIT, GREENFIELD 1/2" X 12", ALUM.
33	2	105581	BUSHING, ANTISHORT 3/8" SIZE #1
32	2	105247	CONNECTOR, GREENFIELD 1/2" X 90'
31	1	02368	HANDI-BOX COVER
30	1	19218	SCREW, HEX HEAD 1/4-20 X 3/8
29	1	02361	HANDI-BOX ELECTRIC BOX
28	4	14888	NUT, HEX JAM 3/4-10
27	4	08158	LEG, BULLET 8"
26	-	1020863	HINGE, LOWER, RIGHT
26	-	1020862	HINGE, LOWER, LEFT
25	1	19288	SCREW, HEX HEAD 1/4-20 X 3/4
24	2	14818	NUT, HEX #1/4-20 S/S
23	2	23105	WASHER, SPLIT LOCK, 1/4 ZINC PLATED
22	2	23137	WASHER, LOCK INT. TOOTH 1/4 S/S
21	2	19552	SPACER, LOWER HINGE PIN
20	4	104783	NUT, CAGE, 5/16-18, ZINC PLTD.
19	4	23118	WASHER, FLAT 1/4 X 5/8 X .085
18	1	19552	SPACER, CONSOLE, MODULAR BASE .888 LG.
17	3	19555	SPACER, CONSOLE, MODULAR BASE
16	-	528812	HINGE, UPPER, RIGHT
16	-	528811	HINGE, UPPER, LEFT
15	1	108819	TRAY, Drip REMOVAL, 450 MM BASE
14	4	14859	NUT, HEX #10-24 S/S
13	4	23113	WASHER, SPLIT LOCK, #10 ZINC PLATED
12	4	23114	WASHER, LOCK INT. TOOTH #10 S/S
11	1	108615	BOX, ELECTRIC, 450 MM CONSOLE
10	-	542432	DOOR, OUTER H.L./H.R., 430 S/S
10	-	54243	DOOR, OUTER H.L./H.R., 304 S/S
9	1	54250	DOOR, INNER, H.L./H.R., AL. CTD. STL.
8	4	19108	SCREW, TRUSS HEAD 10-24 X 1-1/2, S/S
7	1	1084152	CONSOLE, INTERMEDIATE ASSEMBLY
6	4	19208	SCREW, RD. HEAD 8-32 X 1 ZINC PLTD.
5	2	03001	CATCH, MAGNETIC
4	A/R	18358	RIVET 1/8" DIA. FLUSH BREAK S/S
3	4	14874	NUT, HEX 8-32 ZINC PLATED
2	2	53274	CLIP, MAGNET CATCH, S/S
1	-	10088211	BASE WELDMENT, 450 MM, AL. CTD. STL.
1	-	408711	BASE WELDMENT, 450 MM, S/S

THIS DESIGN DESCRIBES A PROPRIETARY ITEM AND IS THE PROPERTY OF CLEVELAND RANGE. THIS DRAWING IS NOT TO BE COPIED OR USED WITHOUT THE APPROVAL OF CLEVELAND RANGE.

NEXT ASSEMBLY : 450HPEM

TOLERANCES UNLESS OTHERWISE SPECIFIED		CLEVELAND RANGE INC.	
DECIMAL		1323 East 17916 St. Cleveland, Ohio 44110-2574	
± N/A	SCALE 1/4" = 1"	DRAWN BY DUTCHMAN	APPROVED BY
ANGULAR ± N/A	TITLE	ELECTRIC HOT PLATE 450 MM MODULAR BASE	
CK	DATE 08-04-93	DRAWING NO. C - 106628	REV. -



28

2 23 24

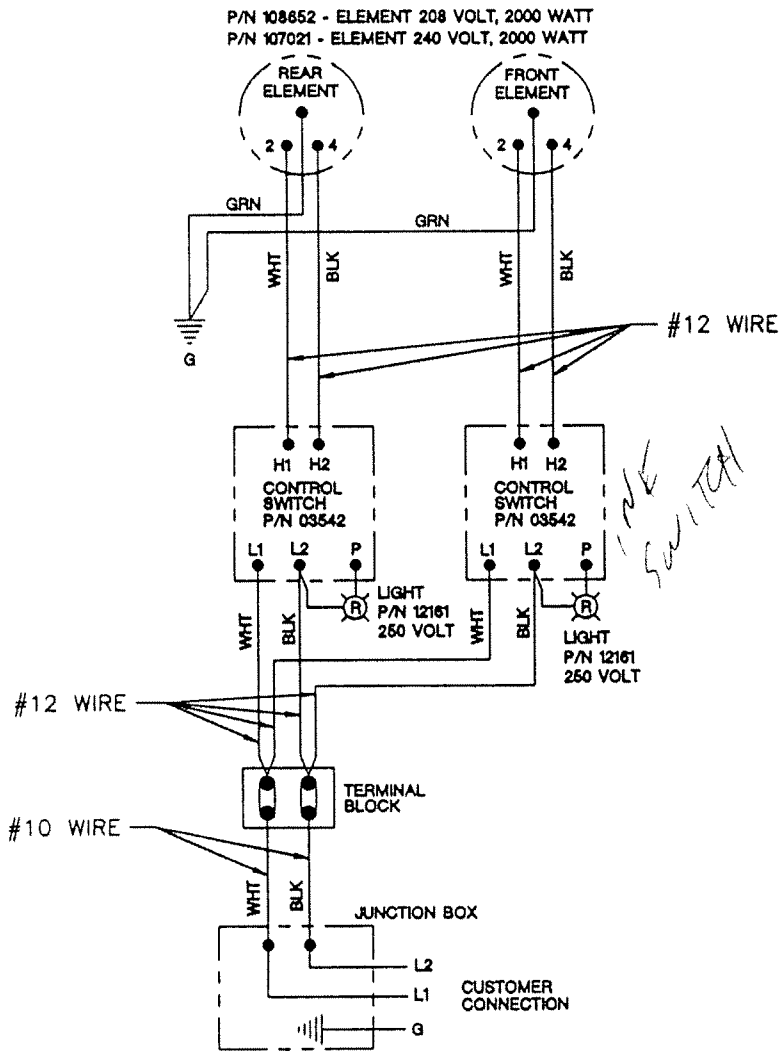
27

34	1	1052491200	CONDUIT, GREENFIELD 1/2" X 12", ALUM.
33	2	105581	BUSHING, ANTISHORT 3/8" SIZE #1
32	2	105247	CONNECTOR, GREENFIELD 1/2" X 90"
31	1	02368	HANDI-BOX COVER
30	1	19218	SCREW, HEX HEAD 1/4-20 X 3/8
29	1	02381	HANDI-BOX ELECTRIC BOX
28	4	14888	NUT, HEX JAM 3/4-10
27	4	08158	LEG, BULLET 8"
26	-	1020883	HINGE, LOWER, RIGHT
	-	1020882	HINGE, LOWER, LEFT
25	1	19288	SCREW, HEX HEAD 1/4-20 X 3/4
24	2	14818	NUT, HEX #1/4-20 S/S
23	2	23105	WASHER, SPLIT LOCK, 1/4 ZINC PLATED
22	2	23137	WASHER, LOCK INT. TOOTH 1/4 S/S
21	2	19552	SPACER, LOWER HINGE PIN
20	4	104783	NUT, CAGE, 5/16-18, ZINC PLTD.
19	4	23118	WASHER, FLAT 1/4 X 5/8 X .085
18	1	195552	SPACER, CONSOLE, MODULAR BASE .688 LG.
17	3	19555	SPACER, CONSOLE, MODULAR BASE
16	-	528812	HINGE, UPPER, RIGHT
	-	528811	HINGE, UPPER, LEFT
15	1	108819	TRAY, DRIP REMOVAL, 450 MM BASE
14	4	14859	NUT, HEX #10-24 S/S
13	4	23113	WASHER, SPLIT LOCK, #10 ZINC PLATED
12	4	23114	WASHER, LOCK INT. TOOTH #10 S/S
11	1	108815	BOX, ELECTRIC, 450 MM CONSOLE
10	-	542432	DOOR, OUTER H.L./H.R. 430 S/S
	-	54243	DOOR, OUTER H.L./H.R. 304 S/S
9	1	54250	DOOR, INNER, H.L./H.R., AL. CTD. STL.
8	4	19108	SCREW, TRUSS HEAD 10-24 X 1-1/2, S/S
7	1	1084152	CONSOLE, INTERMEDIATE ASSEMBLY
6	4	19208	SCREW, RD. HEAD 8-32 X 1 ZINC PLTD.
5	2	03001	CATCH, MAGNETIC
4	A/R	18358	RIVET 1/8" DIA. FLUSH BREAK S/S
3	4	14874	NUT, HEX 8-32 ZINC PLATED
2	2	53274	CLIP, MAGNET CATCH, S/S
1	-	10088211	BASE WELDMENT, 450 MM, AL. CTD. STL.
	-	408711	BASE WELDMENT, 450 MM, S/S
ITEM	QTY.	PART NO.	DESCRIPTION

TOLERANCES (EXCEPT AS NOTED)			
CLEVELAND RANGE INC. 1333 East 179th St. Cleveland, Ohio 44110-2574			
DECIMAL ± N/A	SCALE 1/4" = 1"	DRAWN BY DUTCHMAN	APPROVED BY
ANGULAR ± N/A	TITLE ELECTRIC HOT PLATE 450 MM MODULAR BASE		
CK	DATE 08-04-93	DRAWING NO. C - 106628	REV. -

Y : 450HPM

LET.	REVISIONS	DATE	BY
A	REVISED TO MATCH LABEL EO C-5007	6-30-97	DS



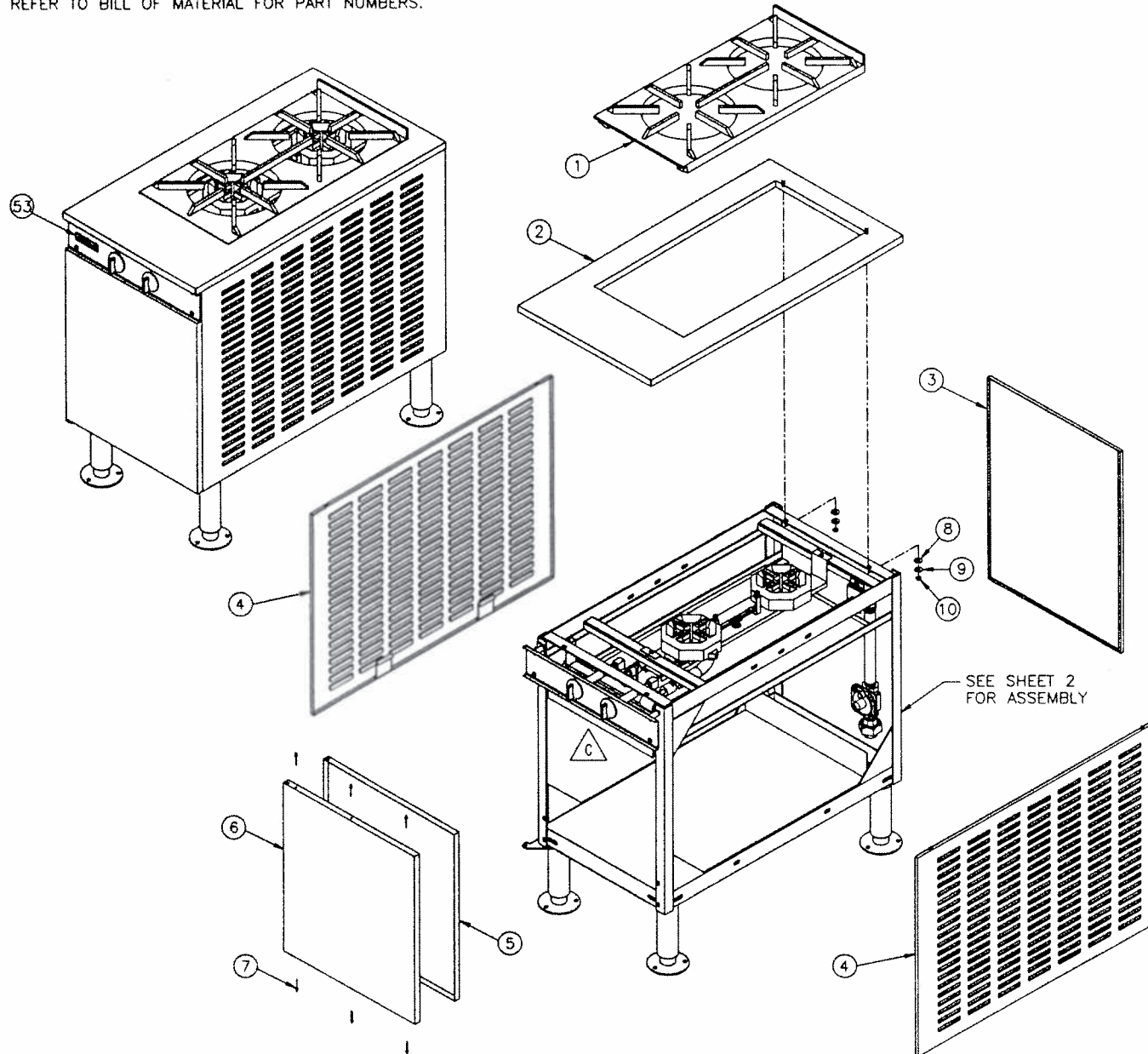
THIS DESIGN DESCRIBES A PROPRIETARY ITEM AND IS THE PROPERTY OF CLEVELAND RANGE.
THIS DRAWING IS NOT TO BE COPIED OR USED WITHOUT THE APPROVAL OF CLEVELAND RANGE

ITEM	QTY	PART NO.	DESCRIPTION
TOLERANCES <small>(EXCEPT AS NOTED)</small>		CLEVELAND RANGE INC. 1333 East 179th St. Cleveland, Ohio 44110-2574	
DECIMAL ±	SCALE 1=1	DRAWN BY EAG	APPROVED BY
ANGULAR ±1°	TITLE WIRE INFORMATION SHEET TWO BURNER/ELECTRIC HOT PLATE		
AC	DATE 10-31-94	DRAWING NO. B- WIREINFO	BY

NOTES:

- 1) FOR LABEL LOCATIONS REFER TO DWG No.260AKN.
 2) PARTS DEPICTED ON DRAWING MAY NOT REFLECT ACTUAL PART USED.
 REFER TO BILL OF MATERIAL FOR PART NUMBERS.

B7



LET.	REVISIONS	DATE	BY
A	SHT 2, UPDATE B.O.M ITEMS 41 & (LP) REQUIREMENTS PER E.O 3011	7-26-98	PJD
B	1 P/N WAS 222082, 2 P/N WAS 06156, 3 P/N WAS 106899, 4 P/N WAS 224015, 5 P/N WAS 106896, 6 P/N WAS 22805213, 7 ADDED NOTE	12-9-98	DS
	2 ON SHEET 1, (REF ECR 98-002) PER E.O #5249	-	-
C	VARIOUS PICTORIAL CHANGES; PER E.O C-5624	2-24-00	JFM
D	1-QTY WAS 8, 2-P/N WAS 19555 QTY 3, 3-100K OUT P/N 19552 QTY 2, 4-P/N WAS 19552 QTY 1, 5-P/N WAS W8-46, 6-P/N WAS 253062-2, 7-P/N WAS 22805214, 8-ADDED P/N 1059011, PER E.O# C6085	8-2-01	OZ

SEE SHEET 2 OF 2 FOR BOM

ITEM	QTY	PART NO.	DESCRIPTION
CLEVELAND RANGE INC.			
1333 East 179th St. Cleveland, Ohio 44110-2574			
DECIMAL ± N/A	SCALE 0.156	DRAWN BY EAG	APPROVED BY
ANGULAR ± 1°	TITLE HOT PLATE ASSEMBLY, GAS 450 MM, 2 BURNER		
AC	DATE 4-13-94	DRAWING NO. C-HNB0001	SHEET 1 OF 2 REV D