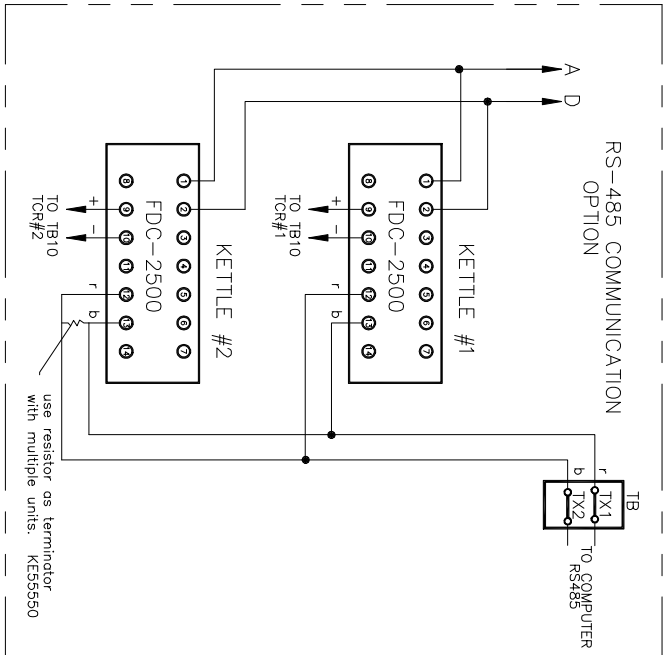


#	DESCRIPTION	DATE	APPROVED
S	REVISED DIGITAL COUNTER WIRING	06/21/2019	SZOHORI

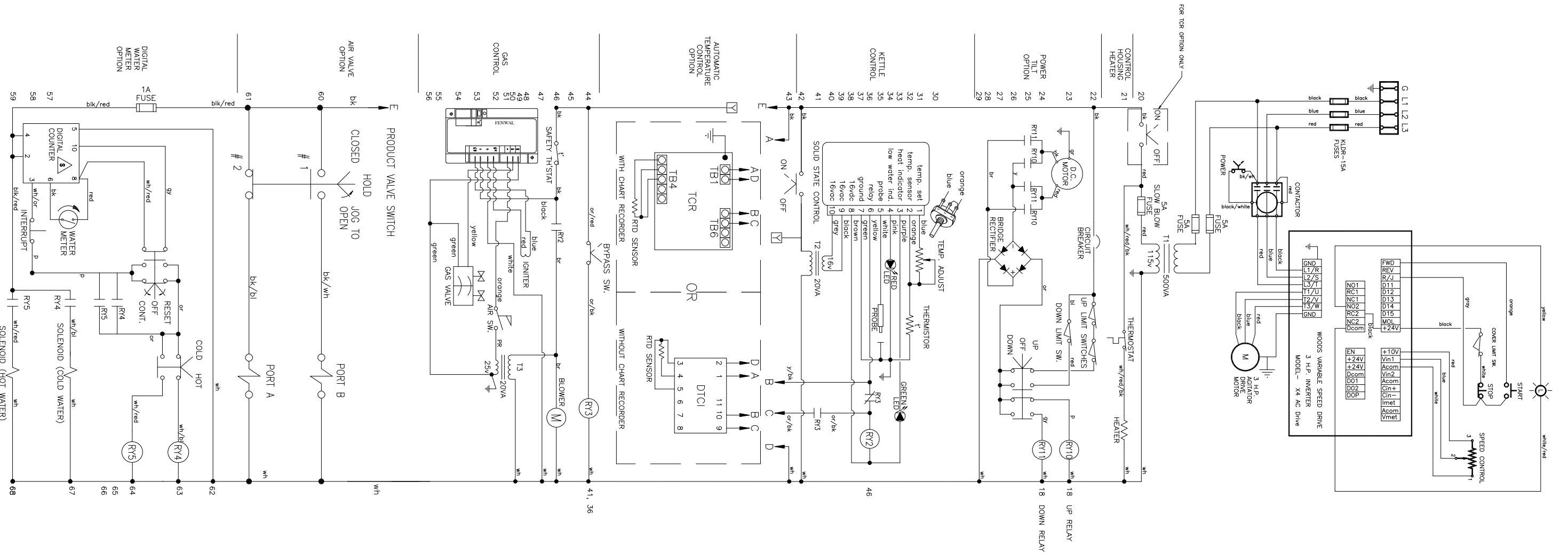


MAINTAINED, MAINTAINED, MOMENTARY

SWITCH	#1	#2
CLOSED	0	X
HOLD	0	0
JOG TO OPEN	X	0
CONTACT		

X = CLOSED
0 = OPEN

DRAWING SHIPS WITH UNIT
DRAWING IS PRINTED FULL SIZE. PLACED INSIDE A PLASTIC BAG AND FIXED TO THE INSIDE WALL OF THE CONTROL BOX.



HA-MKGL/-T WITH ALL OPTIONS (200-240 V) KE90425 S