



# Service Bulletin

## FAUCET PARTS DRAWINGS FOR CLEVELAND RANGE EQUIPMENT

Model Page #

### ***Kettles***

---

#### ***Gas***

KGT .....	1
KGL40/60/80 & KGL40TSH .....	2
KGL25 & KGT25T .....	3

#### ***Direct Steam***

KDM .....	4
KDT (on STD or SD Stands) .....	5
MKDT .....	6
KDL, KDP & KDW .....	7

#### ***Electric***

KET & MKET .....	8
KEL .....	9

#### ***Horizontal Mixers***

HA MIXERS .....	10
-----------------	----

### ***Skillets***

---

#### ***Floor Models***

T1 .....	11
TR .....	12

#### ***Table Top Models***

SET10 .....	13
SET15 .....	14

1333 East 179th St.  
Cleveland, Ohio  
U.S.A. 44110

Phone: (216) 481-4900 Fax: (216) 481-3782  
Visit our web site at [www.clevelandrange.com](http://www.clevelandrange.com)



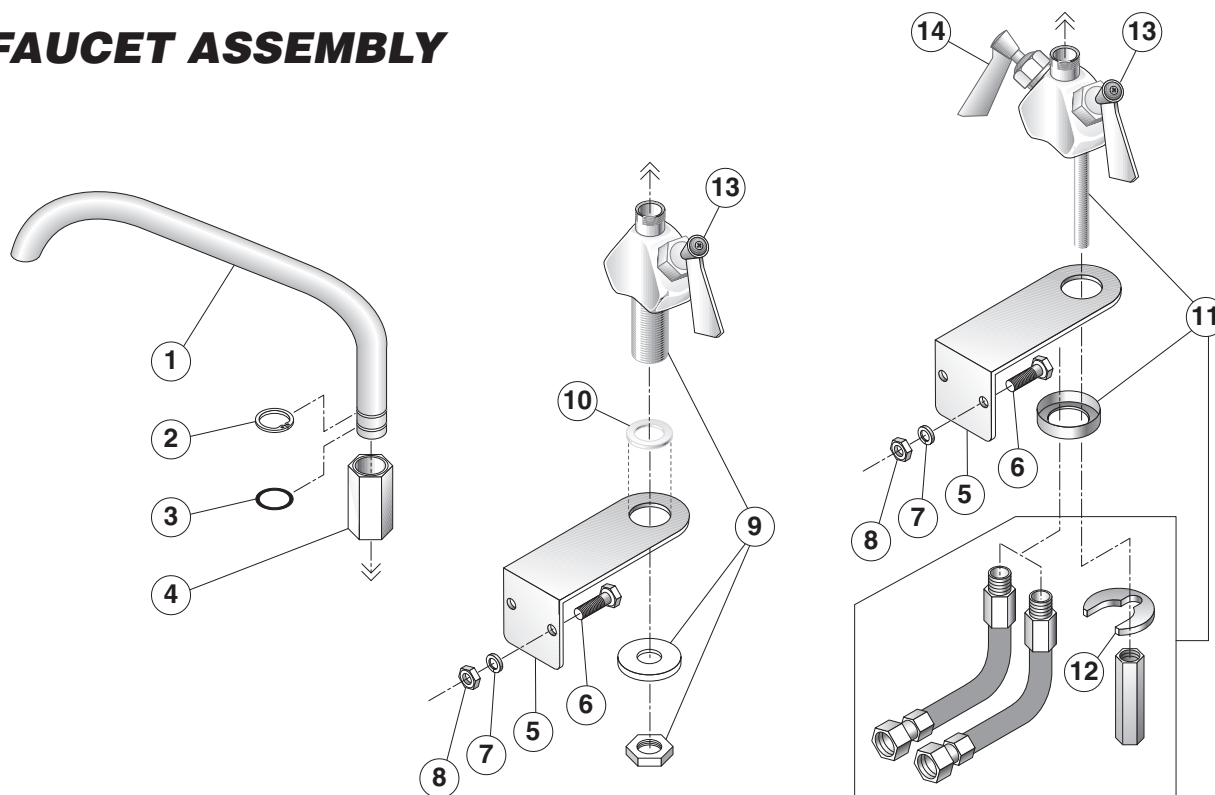
# SERVICE PARTS

## WARRANTY

Our Company supports a worldwide network of Maintenance and Repair Centers. Contact your nearest Maintenance and Repair Centre for replacement parts, service, or information regarding the proper maintenance and repair of your cooking equipment.

In order to preserve the various agency safety certification (UL, NSF, ASME/Ntl. Bd., etc.), only factory-supplied replacement parts should be used. The use of other than factory supplied replacement parts will void warranty.

## FAUCET ASSEMBLY



ITEM #	PART #	DESCRIPTION	QTY.
	<b>SPK2</b>	<b>SINGLE PANTRY FAUCET</b> (includes items 1-10)	
	<b>DPK2</b>	<b>DOUBLE PANTRY FAUCET</b> (includes items 1-8 & 11)	
1.	KE50825-2	3/4" SPOUT	1
2.	FA95007-10	RETAINING RING	1
3.	FA05002-19	"O" RING	1
4.	KE51736	LONG FAUCET NUT	1
5.	KE54159	FAUCET MOUNTING BRACKET	1
6.	FA11258	HEX CAP SCREW	2
7.	FA31029	LOCK WASHER	2
8.	FA210028	HEX NUT	2
9.	KE51401	SINGLE PANTRY BODY (c/w item 13)	1
10.	KE50335	ADAPTER WASHER	1
11.	KE51403	DOUBLE PANTRY BODY (c/w item 13 & 14)	1
12.	SE50447	REPLACEMENT HORSESHOE WASHER	1
13.	SE50021	REPLACEMENT STEM ASSEMBLY, COLD WATER	1
14.	SE50020	REPLACEMENT STEM ASSEMBLY, HOT WATER	1

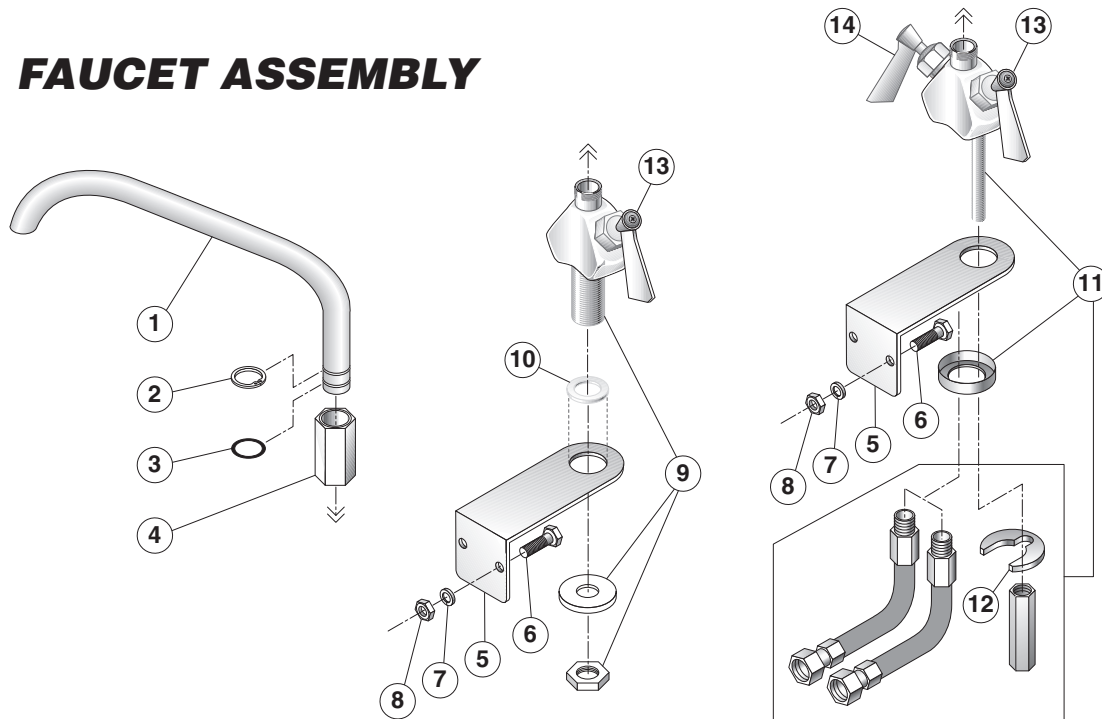
# SERVICE PARTS

## WARRANTY

Our Company supports a worldwide network of Maintenance and Repair Centers. Contact your nearest Maintenance and Repair Centre for replacement parts, service, or information regarding the proper maintenance and repair of your cooking equipment.

In order to preserve the various agency safety certification (UL, NSF, ASME/NTI, Bd., etc.), only factory-supplied replacement parts should be used. The use of other than factory supplied replacement parts will void warranty.

## FAUCET ASSEMBLY



ITEM #	PART #	DESCRIPTION	QTY.
	<b>SPK2</b>	<b>SINGLE PANTRY FAUCET</b> for <u>KGL60/80T</u> (includes items 1-10)	
	<b>DPK2</b>	<b>DOUBLE PANTRY FAUCET</b> for <u>KGL60/80T</u> (includes items 1-8 & 11)	
	<b>SPK3</b>	<b>SINGLE PANTRY FAUCET</b> for <u>KGL40T</u> & <u>KGL40TSH</u> (includes items 1-10)	
	<b>DPK3</b>	<b>DOUBLE PANTRY FAUCET</b> for <u>KGL40T</u> & <u>KGL40TSH</u> (includes items 1-8 & 11)	
	<b>SPK5</b>	<b>SINGLE PANTRY FAUCET</b> for <u>Stationary Kettles</u> (includes items 1-10)	
	<b>DPK5</b>	<b>DOUBLE PANTRY FAUCET</b> for <u>Stationary Kettles</u> (includes items 1-8 & 11)	
1.	KE50825-2	3/4" SPOUT for - <u>SPK2</u> & <u>DPK2</u> .....	1
	KE50825-3	3/4" SPOUT for - <u>SPK3</u> & <u>DPK3</u> .....	1
	KE50825-5	3/4" SPOUT for - <u>SPK5</u> & <u>DPK5</u> .....	1
2.	FA95007-10	RETAINING RING .....	1
3.	FA05002-19	"O" RING .....	1
4.	KE51736	LONG FAUCET NUT .....	1
5.	KE54159	FAUCET MOUNTING BRACKET for <u>Tilting Kettles</u> .....	1
6.	FA11258	HEX CAP SCREW .....	2
7.	FA31029	LOCK WASHER .....	2
8.	FA210028	HEX NUT .....	2
9.	KE51401	SINGLE PANTRY BODY (c/w item 13) .....	1
10.	KE50335	ADAPTER WASHER .....	1
11.	KE51403	DOUBLE PANTRY BODY (c/w item 13 & 14) .....	1
12.	SE50447	REPLACEMENT HORSESHOE WASHER .....	1
13.	SE50021	REPLACEMENT STEM ASSEMBLY, COLD WATER .....	1
14.	SE50020	REPLACEMENT STEM ASSEMBLY, HOT WATER .....	1

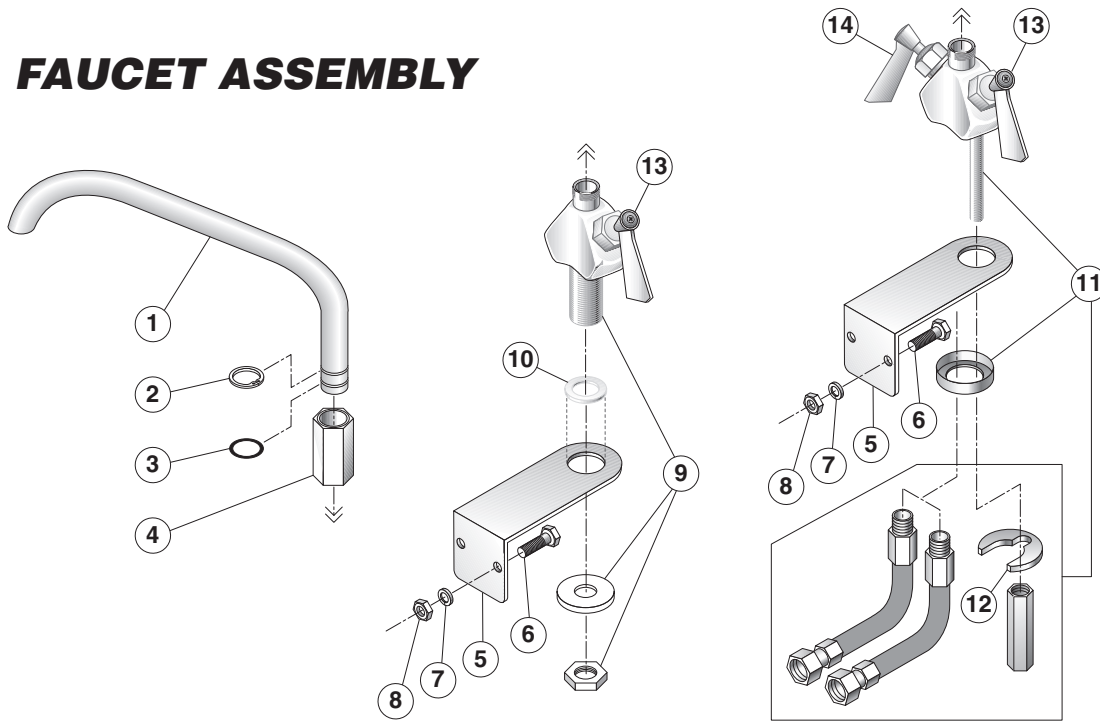
# SERVICE PARTS

## WARRANTY

Our Company supports a worldwide network of Maintenance and Repair Centers. Contact your nearest Maintenance and Repair Centre for replacement parts, service, or information regarding the proper maintenance and repair of your cooking equipment.

In order to preserve the various agency safety certification (UL, NSF, ASME/NTI, Bd., etc.), only factory-supplied replacement parts should be used. The use of other than factory supplied replacement parts will void warranty.

## FAUCET ASSEMBLY



ITEM #	PART #	DESCRIPTION	QTY.
	<b>SPK13</b>	<b>SINGLE PANTRY FAUCET</b> for <u>Tilting Kettles</u> (includes items 1-10)	
	<b>DPK13</b>	<b>DOUBLE PANTRY FAUCET</b> <u>Tilting Kettles</u> (includes items 1-8 & 11)	
	<b>SPK5</b>	<b>SINGLE PANTRY FAUCET</b> for <u>Stationary Kettles</u> (includes items 1-10)	
	<b>DPK5</b>	<b>DOUBLE PANTRY FAUCET</b> for <u>Stationary Kettles</u> (includes items 1-8 & 11)	
1.	KE50825-7	3/4" SPOUT for - <u>SPK13 &amp; DPK13</u> . . . . .	1
	KE50825-5	3/4" SPOUT for - <u>SPK5 &amp; DPK5</u> . . . . .	1
2.	FA95007-10	RETAINING RING . . . . .	1
3.	FA05002-19	"O" RING . . . . .	1
4.	KE51736	LONG FAUCET NUT . . . . .	1
5.	SK00395-1	FAUCET MOUNTING BRACKET for <u>Tilting Kettles</u> . . . . .	1
6.	FA11258	HEX CAP SCREW . . . . .	2
7.	FA31029	LOCK WASHER . . . . .	2
8.	FA210028	HEX NUT . . . . .	2
9.	KE51401	SINGLE PANTRY BODY (c/w item 13) . . . . .	1
10.	KE50335	ADAPTER WASHER . . . . .	1
11.	KE51403	DOUBLE PANTRY BODY (c/w item 13 & 14) . . . . .	1
12.	SE50447	REPLACEMENT HORSESHOE WASHER . . . . .	1
13.	SE50021	REPLACEMENT STEM ASSEMBLY, COLD WATER . . . . .	1
14.	SE50020	REPLACEMENT STEM ASSEMBLY, HOT WATER . . . . .	1

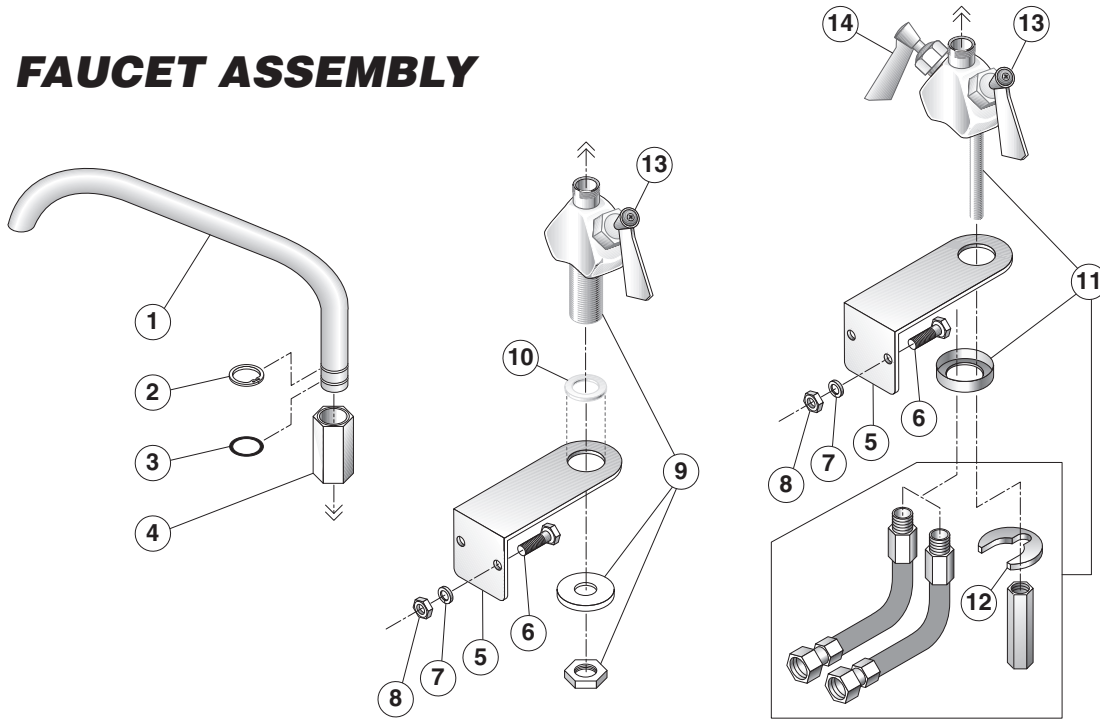
# SERVICE PARTS

## WARRANTY

Our Company supports a worldwide network of Maintenance and Repair Centers. Contact your nearest Maintenance and Repair Centre for replacement parts, service, or information regarding the proper maintenance and repair of your cooking equipment.

In order to preserve the various agency safety certification (UL, NSF, ASME/NTI, Bd., etc.), only factory-supplied replacement parts should be used. The use of other than factory supplied replacement parts will void warranty.

## FAUCET ASSEMBLY



ITEM #	PART #	DESCRIPTION	QTY.
	<b>SPK2</b>	<b>SINGLE PANTRY FAUCET</b> for <u>KDM60</u> (includes items 1-10)	
	<b>DPK2</b>	<b>DOUBLE PANTRY FAUCET</b> for <u>KDM60</u> (includes items 1-8 & 11)	
	<b>SPK6</b>	<b>SINGLE PANTRY FAUCET</b> for <u>KDM25/40</u> (includes items 1-10)	
	<b>DPK6</b>	<b>DOUBLE PANTRY FAUCET</b> for <u>KDM25/40</u> (includes items 1-8 & 11)	
1.	KE50825-2	3/4" SPOUT for - <u>SPK2</u> & <u>DPK2</u> .....	1
	KE50825-6	3/4" SPOUT for - <u>SPK6</u> & <u>DPK6</u> .....	1
2.	FA95007-10	RETAINING RING .....	1
3.	FA05002-19	"O" RING .....	1
4.	KE51736	LONG FAUCET NUT .....	1
5.	KE54159	FAUCET MOUNTING BRACKET .....	1
6.	FA11258	HEX CAP SCREW .....	2
7.	FA31029	LOCK WASHER .....	2
8.	FA210028	HEX NUT .....	2
9.	KE51401	SINGLE PANTRY BODY (c/w item 13) .....	1
10.	KE50335	ADAPTER WASHER .....	1
11.	KE51403	DOUBLE PANTRY BODY (c/w item 13 & 14) .....	1
12.	SE50447	REPLACEMENT HORSESHOE WASHER .....	1
13.	SE50021	REPLACEMENT STEM ASSEMBLY, COLD WATER .....	1
14.	SE50020	REPLACEMENT STEM ASSEMBLY, HOT WATER .....	1

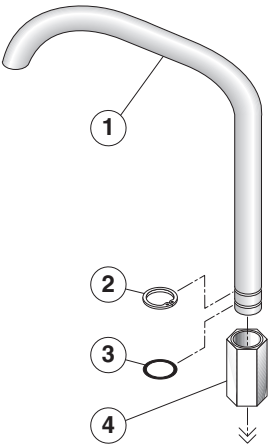
# SERVICE PARTS

## WARRANTY

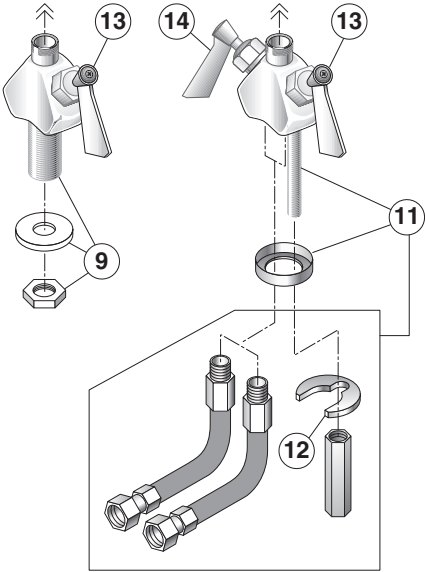
Our Company supports a worldwide network of Maintenance and Repair Centers. Contact your nearest Maintenance and Repair Centre for replacement parts, service, or information regarding the proper maintenance and repair of your cooking equipment.

In order to preserve the various agency safety certification (UL, NSF, ASME/NTI, Bd., etc.), only factory-supplied replacement parts should be used. The use of other than factory supplied replacement parts will void warranty.

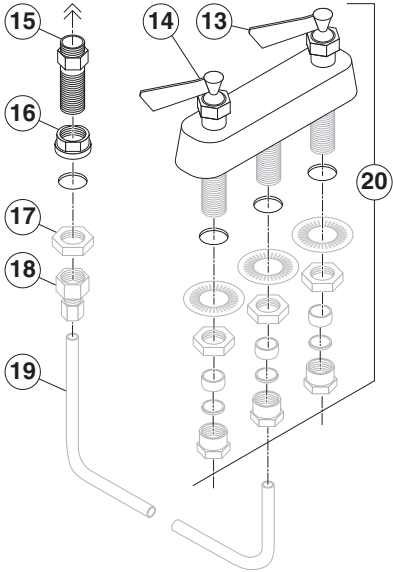
## FAUCET ASSEMBLY



**SPOUT**  
(for Standard & Remote Faucets)



**STANDARD FAUCET**  
(Single & Double Pantry for SD or STD Stands)



**REMOTE FAUCET**  
(Double Pantry for SD Stands)

ITEM #	PART #	DESCRIPTION	QTY.
	<b>SPK1</b>	<b>SINGLE PANTRY FAUCET</b> for <u>KDT12/20T</u> (includes items 1-10)	
	<b>DPK1</b>	<b>DOUBLE PANTRY FAUCET</b> for <u>KDT12/20T</u> (includes items 1-8 & 11)	
	<b>SPK8</b>	<b>SINGLE PANTRY FAUCET</b> for <u>KDT6T</u> (includes items 1-10)	
	<b>DPK8</b>	<b>DOUBLE PANTRY FAUCET</b> for <u>KDT6T</u> (includes items 1-8 & 11)	
1.	KE50825-1	3/4" SPOUT for - <u>SPK1</u> & <u>DPK1</u> .....	1
	KE50825-8	3/4" SPOUT for - <u>SPK8</u> & <u>DPK8</u> .....	1
2.	FA95007-10	RETAINING RING .....	1
3.	FA05002-19	"O" RING .....	1
4.	KE51736	LONG FAUCET NUT .....	1
9.	KE51401	SINGLE PANTRY BODY (c/w item 13) .....	1
10.	KE50335	ADAPTER WASHER .....	1
11.	KE51403	DOUBLE PANTRY BODY (c/w item 13 & 14) .....	1
12.	SE50447	REPLACEMENT HORSESHOE WASHER .....	1
13.	SE50021	REPLACEMENT STEM ASSEMBLY, COLD WATER .....	1
14.	SE50020	REPLACEMENT STEM ASSEMBLY, HOT WATER .....	1
15.	SD50097	FLANGED NUT, 3/4" NPT, CHROME PLATED .....	1
16.	KE51585	FAUCET SPOUT FITTING .....	1
17.	SD50098	LOCKNUT, 3/4" NPT .....	1
18.	FI00266	COUPLING, 1/2" NPT .....	1
19.	SD50100	COPPER TUBE .....	1
20.	KE51899	DOUBLE PANTRY CONTROL VALVE (c/w item 13 & 14) .....	1

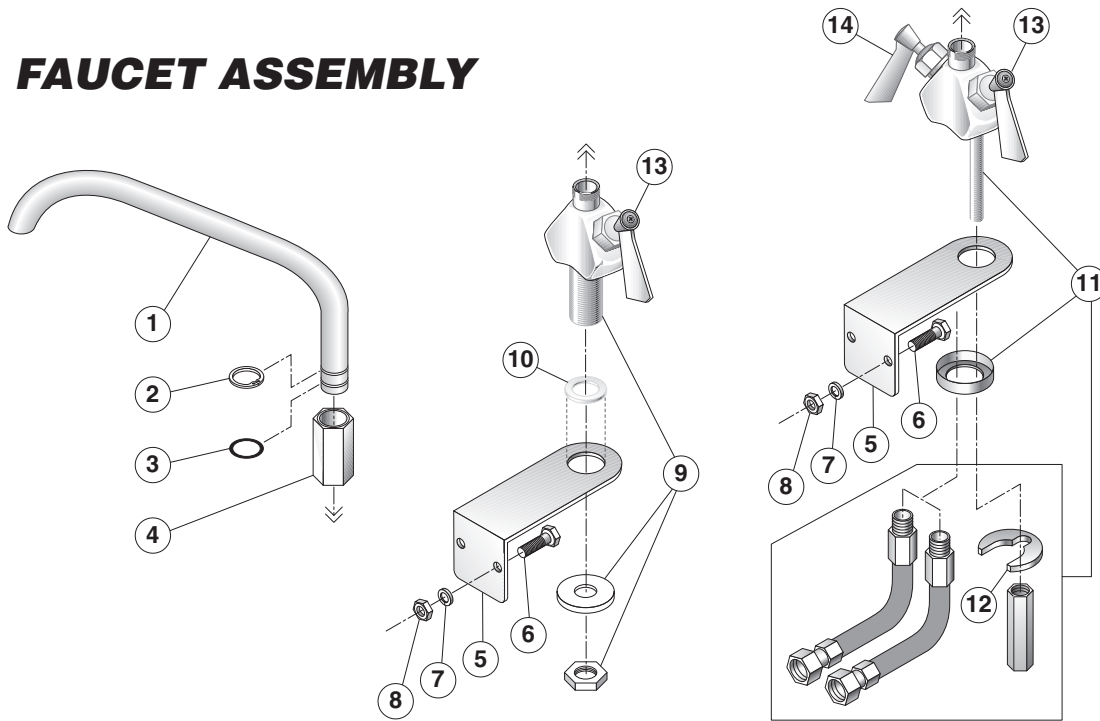
# SERVICE PARTS

## WARRANTY

Our Company supports a worldwide network of Maintenance and Repair Centers. Contact your nearest Maintenance and Repair Centre for replacement parts, service, or information regarding the proper maintenance and repair of your cooking equipment.

In order to preserve the various agency safety certification (UL, NSF, ASME/NTI, Bd., etc.), only factory-supplied replacement parts should be used. The use of other than factory supplied replacement parts will void warranty.

## FAUCET ASSEMBLY



ITEM #	PART #	DESCRIPTION	QTY.
	<b>SPK1</b>	<b>SINGLE PANTRY FAUCET</b> (includes items 1-10)	
	<b>DPK1</b>	<b>DOUBLE PANTRY FAUCET</b> (includes items 1-8 & 11)	
1.	KE50825-1	3/4" SPOUT for - <u>SPK1</u> & <u>DPK1</u> . . . . .	1
2.	FA95007-10	RETAINING RING . . . . .	1
3.	FA05002-19	"O" RING . . . . .	1
4.	KE51736	LONG FAUCET NUT . . . . .	1
5.	KE54159	FAUCET MOUNTING BRACKET . . . . .	1
6.	FA11258	HEX CAP SCREW . . . . .	2
7.	FA31029	LOCK WASHER . . . . .	2
8.	FA210028	HEX NUT . . . . .	2
9.	KE51401	SINGLE PANTRY BODY (c/w item 13) . . . . .	1
10.	KE50335	ADAPTER WASHER . . . . .	1
11.	KE51403	DOUBLE PANTRY BODY (c/w item 13 & 14) . . . . .	1
12.	SE50447	REPLACEMENT HORSESHOE WASHER . . . . .	1
13.	SE50021	REPLACEMENT STEM ASSEMBLY, COLD WATER . . . . .	1
14.	SE50020	REPLACEMENT STEM ASSEMBLY, HOT WATER . . . . .	1

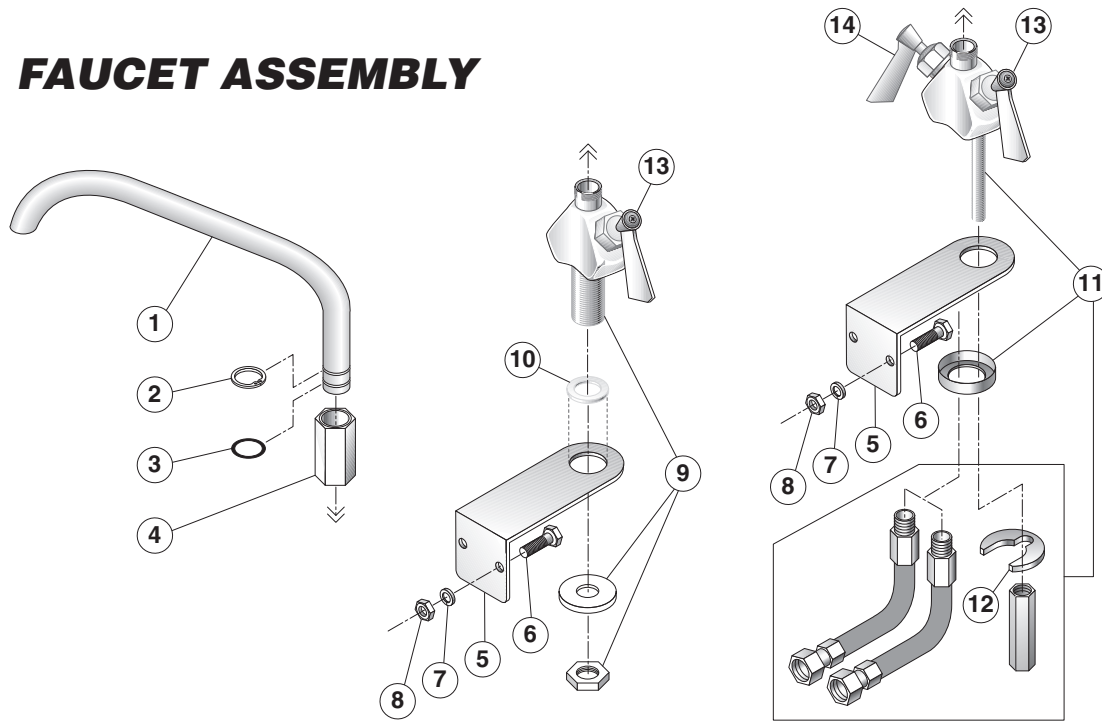
# SERVICE PARTS

## WARRANTY

Our Company supports a worldwide network of Maintenance and Repair Centers. Contact your nearest Maintenance and Repair Centre for replacement parts, service, or information regarding the proper maintenance and repair of your cooking equipment.

In order to preserve the various agency safety certification (UL, NSF, ASME/NTI, Bd., etc.), only factory-supplied replacement parts should be used. The use of other than factory supplied replacement parts will void warranty.

## FAUCET ASSEMBLY



ITEM #	PART #	DESCRIPTION	QTY.
	<b>SPK2</b>	<b>SINGLE PANTRY FAUCET</b> for <u>KDL60/80/100T</u> & <u>KDP60T</u> (includes items 1-10)	
	<b>DPK2</b>	<b>DOUBLE PANTRY FAUCET</b> for <u>KDL60/80/100T</u> & <u>KDP60T</u> (includes items 1-8 & 11)	
	<b>SPK3</b>	<b>SINGLE PANTRY FAUCET</b> for <u>KDL25/40T</u> & <u>KDP25/40T</u> (includes items 1-10)	
	<b>DPK3</b>	<b>DOUBLE PANTRY FAUCET</b> for <u>KDL25/40T</u> & <u>KDP25/40T</u> (includes items 1-8 & 11)	
	<b>SPK7</b>	<b>SINGLE PANTRY FAUCET</b> for <u>KDL40/60/80TSH</u> (includes items 1-10)	
	<b>DPK7</b>	<b>DOUBLE PANTRY FAUCET</b> for <u>KDL40/60/80TSH</u> (includes items 1-8 & 11)	
	<b>SPK10</b>	<b>SINGLE PANTRY FAUCET</b> for <u>KDL125/150T</u> (includes items 1-10)	
	<b>DPK10</b>	<b>DOUBLE PANTRY FAUCET</b> for <u>KDL125/150T</u> (includes items 1-8 & 11)	
	<b>SPK5</b>	<b>SINGLE PANTRY FAUCET</b> for <u>Stationary Kettles</u> (includes items 1-10)	
	<b>DPK5</b>	<b>DOUBLE PANTRY FAUCET</b> for <u>Stationary Kettles</u> (includes items 1-8 & 11)	
1.	KE50825-2	3/4" SPOUT for - <u>SPK2</u> & <u>DPK2</u> .....	.1
	KE50825-3	3/4" SPOUT for - <u>SPK3</u> & <u>DPK3</u> .....	.1
	KE50825-5	3/4" SPOUT for - <u>SPK5</u> & <u>DPK5</u> .....	.1
	KE50825-7	3/4" SPOUT for - <u>SPK7</u> & <u>DPK7</u> .....	.1
	KE50825-10	3/4" SPOUT for - <u>SPK10</u> & <u>DPK10</u> .....	.1
2.	FA95007-10	RETAINING RING .....	.1
3.	FA05002-19	"O" RING .....	.1
4.	KE51736	LONG FAUCET NUT .....	.1
5.	KE54159	FAUCET MOUNTING BRACKET for <u>Tilting Kettles</u> .....	.1
6.	FA11258	HEX CAP SCREW .....	.2
7.	FA31029	LOCK WASHER .....	.2
8.	FA210028	HEX NUT .....	.2
9.	KE51401	SINGLE PANTRY BODY (c/w item 13) .....	.1
10.	KE50335	ADAPTER WASHER .....	.1
11.	KE51403	DOUBLE PANTRY BODY (c/w item 13 & 14) .....	.1
12.	SE50447	REPLACEMENT HORSESHOE WASHER .....	.1
13.	SE50021	REPLACEMENT STEM ASSEMBLY, COLD WATER .....	.1
14.	SE50020	REPLACEMENT STEM ASSEMBLY, HOT WATER .....	.1

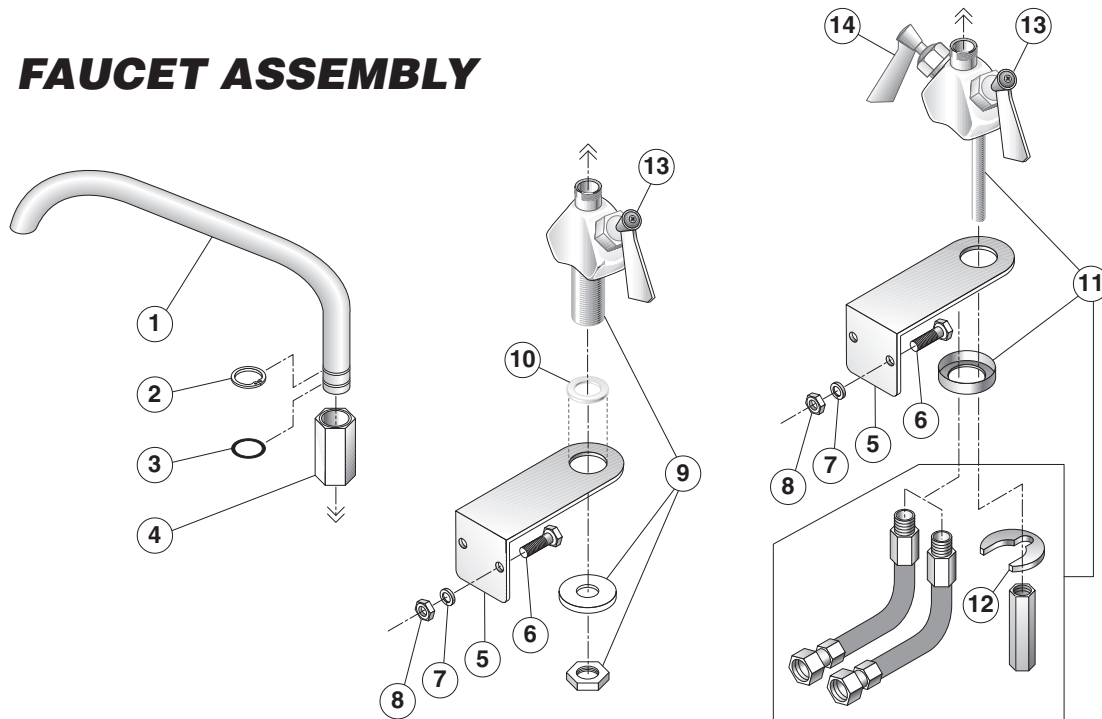
# SERVICE PARTS

## WARRANTY

Our Company supports a worldwide network of Maintenance and Repair Centers. Contact your nearest Maintenance and Repair Centre for replacement parts, service, or information regarding the proper maintenance and repair of your cooking equipment.

In order to preserve the various agency safety certification (UL, NSF, ASME/NTI, Bd., etc.), only factory-supplied replacement parts should be used. The use of other than factory supplied replacement parts will void warranty.

## FAUCET ASSEMBLY



ITEM #	PART #	DESCRIPTION	QTY.
	<b>SPK2</b>	<b>SINGLE PANTRY FAUCET</b> for <u>KET20T</u> & <u>MKET12/20T</u> (includes items 1-10)	
	<b>DPK2</b>	<b>DOUBLE PANTRY FAUCET</b> for <u>KET20T</u> & <u>MKET12/20T</u> (includes items 1-8 & 11)	
	<b>SPK9</b>	<b>SINGLE PANTRY FAUCET</b> for <u>KET3/6/12T</u> (includes items 1-10)	
	<b>DPK9</b>	<b>DOUBLE PANTRY FAUCET</b> for <u>KET3/6/12T</u> (includes items 1-8 & 11)	
1.	KE50825-2	3/4" SPOUT for - <u>SPK2</u> & <u>DPK2</u> .....	1
	KE50825-9	3/4" SPOUT for - <u>SPK9</u> & <u>DPK9</u> .....	1
2.	FA95007-10	RETAINING RING .....	1
3.	FA05002-19	"O" RING .....	1
4.	KE51736	LONG FAUCET NUT .....	1
5.	KE54159	FAUCET MOUNTING BRACKET .....	1
6.	FA11258	HEX CAP SCREW .....	2
7.	FA31029	LOCK WASHER .....	2
8.	FA210028	HEX NUT .....	2
9.	KE51401	SINGLE PANTRY BODY (c/w item 13) .....	1
10.	KE50335	ADAPTER WASHER .....	1
11.	KE51403	DOUBLE PANTRY BODY (c/w item 13 & 14) .....	1
12.	SE50447	REPLACEMENT HORSESHOE WASHER .....	1
13.	SE50021	REPLACEMENT STEM ASSEMBLY, COLD WATER .....	1
14.	SE50020	REPLACEMENT STEM ASSEMBLY, HOT WATER .....	1

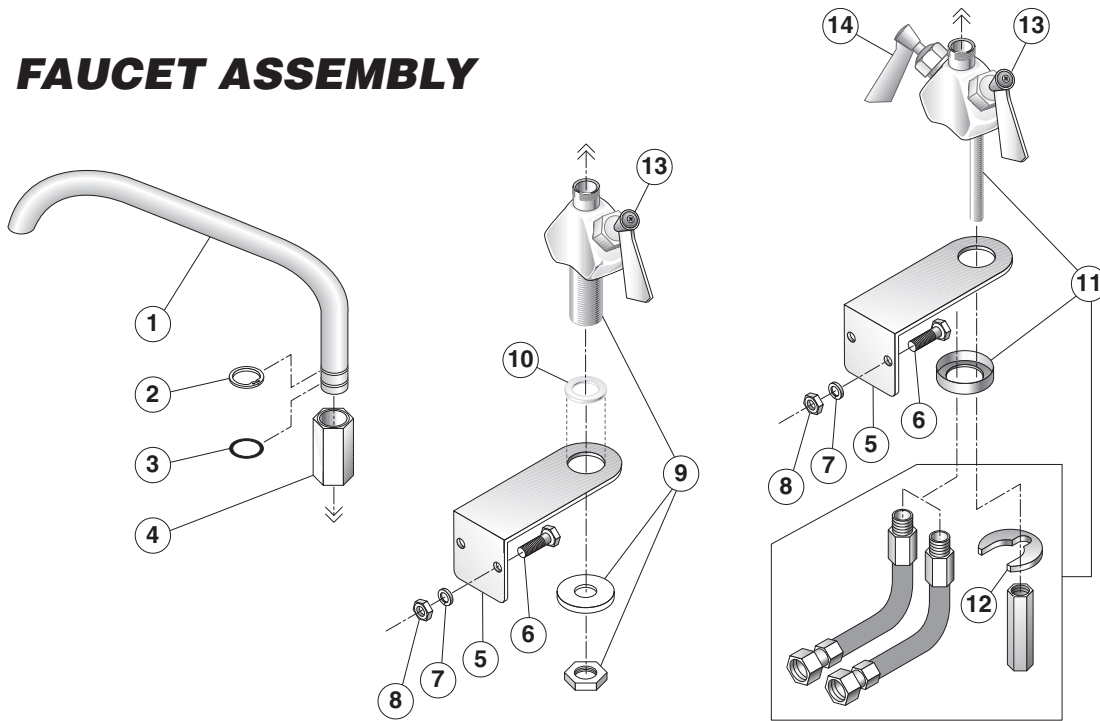
# SERVICE PARTS

## WARRANTY

Our Company supports a worldwide network of Maintenance and Repair Centers. Contact your nearest Maintenance and Repair Centre for replacement parts, service, or information regarding the proper maintenance and repair of your cooking equipment.

In order to preserve the various agency safety certification (UL, NSF, ASME/NTI, Bd., etc.), only factory-supplied replacement parts should be used. The use of other than factory supplied replacement parts will void warranty.

## FAUCET ASSEMBLY



ITEM #	PART #	DESCRIPTION	QTY.
	<b>SPK2</b>	<b>SINGLE PANTRY FAUCET</b> for <u>KEL40/60/80/100T</u> (includes items 1-10)	
	<b>DPK2</b>	<b>DOUBLE PANTRY FAUCET</b> for <u>KEL40/60/80/100T</u> (includes items 1-8 & 11)	
	<b>SPK3</b>	<b>SINGLE PANTRY FAUCET</b> for <u>KEL25T</u> (includes items 1-10)	
	<b>DPK3</b>	<b>DOUBLE PANTRY FAUCET</b> for <u>KEL25T</u> (includes items 1-8 & 11)	
	<b>SPK7</b>	<b>SINGLE PANTRY FAUCET</b> for <u>KEL40/60TSH</u> (includes items 1-10)	
	<b>DPK7</b>	<b>DOUBLE PANTRY FAUCET</b> for <u>KEL40/60TSH</u> (includes items 1-8 & 11)	
	<b>SPK5</b>	<b>SINGLE PANTRY FAUCET</b> for <u>Stationary Kettles</u> (includes items 1-10)	
	<b>DPK5</b>	<b>DOUBLE PANTRY FAUCET</b> for <u>Stationary Kettles</u> (includes items 1-8 & 11)	
1.	KE50825-2	3/4" SPOUT for - <b>SPK2</b> & <b>DPK2</b> .....	1
	KE50825-3	3/4" SPOUT for - <b>SPK3</b> & <b>DPK3</b> .....	1
	KE50825-5	3/4" SPOUT for - <b>SPK5</b> & <b>DPK5</b> .....	1
	KE50825-7	3/4" SPOUT for - <b>SPK7</b> & <b>DPK7</b> .....	1
	FA95007-10	RETAINING RING .....	1
3.	FA05002-19	"O" RING .....	1
4.	KE51736	LONG FAUCET NUT .....	1
5.	KE54159	FAUCET MOUNTING BRACKET for <u>Tilting Kettles</u> .....	1
6.	FA11258	HEX CAP SCREW .....	2
7.	FA31029	LOCK WASHER .....	2
8.	FA210028	HEX NUT .....	2
9.	KE51401	SINGLE PANTRY BODY (c/w item 13) .....	1
10.	KE50335	ADAPTER WASHER .....	1
11.	KE51403	DOUBLE PANTRY BODY (c/w item 13 & 14) .....	1
12.	SE50447	REPLACEMENT HORSESHOE WASHER .....	1
13.	SE50021	REPLACEMENT STEM ASSEMBLY, COLD WATER .....	1
14.	SE50020	REPLACEMENT STEM ASSEMBLY, HOT WATER .....	1

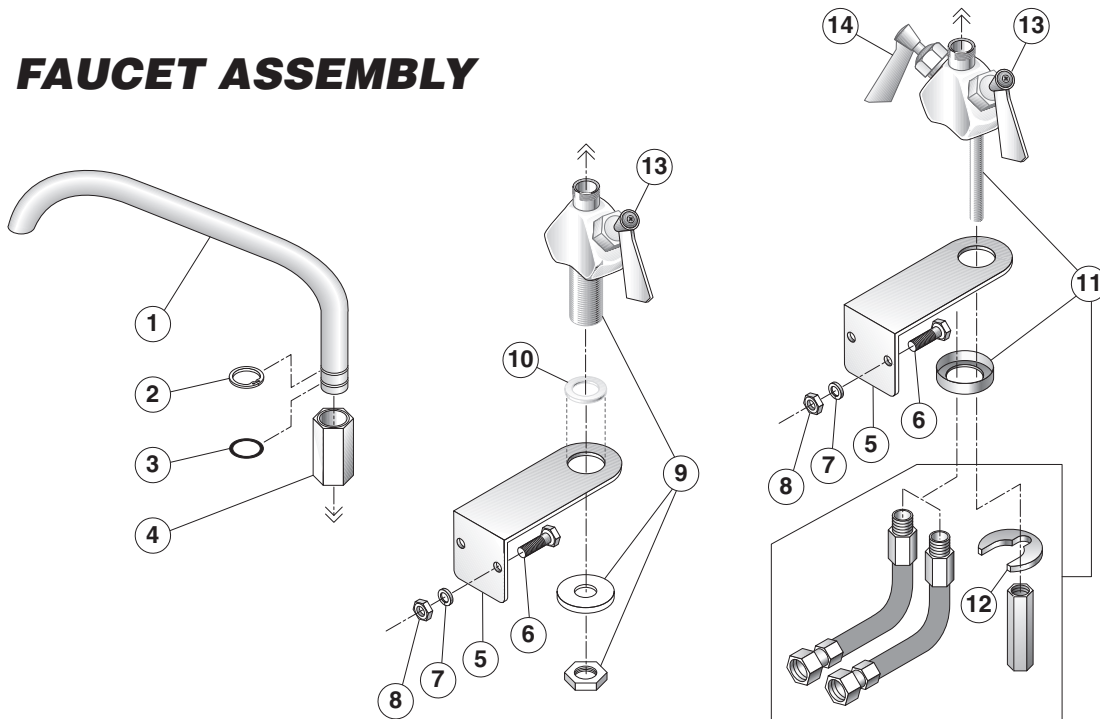
# SERVICE PARTS

## WARRANTY

Our Company supports a worldwide network of Maintenance and Repair Centers. Contact your nearest Maintenance and Repair Centre for replacement parts, service, or information regarding the proper maintenance and repair of your cooking equipment.

In order to preserve the various agency safety certification (UL, NSF, ASME/NTI, Bd., etc.), only factory-supplied replacement parts should be used. The use of other than factory supplied replacement parts will void warranty.

## FAUCET ASSEMBLY



ITEM #	PART #	DESCRIPTION	QTY.
	<b>SPK11</b>	<b>SINGLE PANTRY FAUCET</b> for <u>Tilting Kettles</u> (includes items 1-10)	
	<b>DPK11</b>	<b>DOUBLE PANTRY FAUCET</b> for <u>Tilting Kettles</u> (includes items 1-8 & 11)	
	<b>SPK5</b>	<b>SINGLE PANTRY FAUCET</b> for <u>Stationary Kettles</u> (includes items 1-10)	
	<b>DPK5</b>	<b>DOUBLE PANTRY FAUCET</b> for <u>Stationary Kettles</u> (includes items 1-8 & 11)	
1.	KE50825-11	3/4" SPOUT for - <b>SPK11 &amp; DPK11</b>	1
	KE50825-5	3/4" SPOUT for - <b>SPK5 &amp; DPK5</b>	1
2.	FA95007-10	RETAINING RING	1
3.	FA05002-19	"O" RING	1
4.	KE51736	LONG FAUCET NUT	1
5.	KE54159	FAUCET MOUNTING BRACKET for <u>Tilting Kettles</u>	1
6.	FA11258	HEX CAP SCREW	2
7.	FA31029	LOCK WASHER	2
8.	FA210028	HEX NUT	2
9.	KE51401	SINGLE PANTRY BODY (c/w item 13)	1
10.	KE50335	ADAPTER WASHER	1
11.	KE51403	DOUBLE PANTRY BODY (c/w item 13 & 14)	1
12.	SE50447	REPLACEMENT HORSESHOE WASHER	1
13.	SE50021	REPLACEMENT STEM ASSEMBLY, COLD WATER	1
14.	SE50020	REPLACEMENT STEM ASSEMBLY, HOT WATER	1

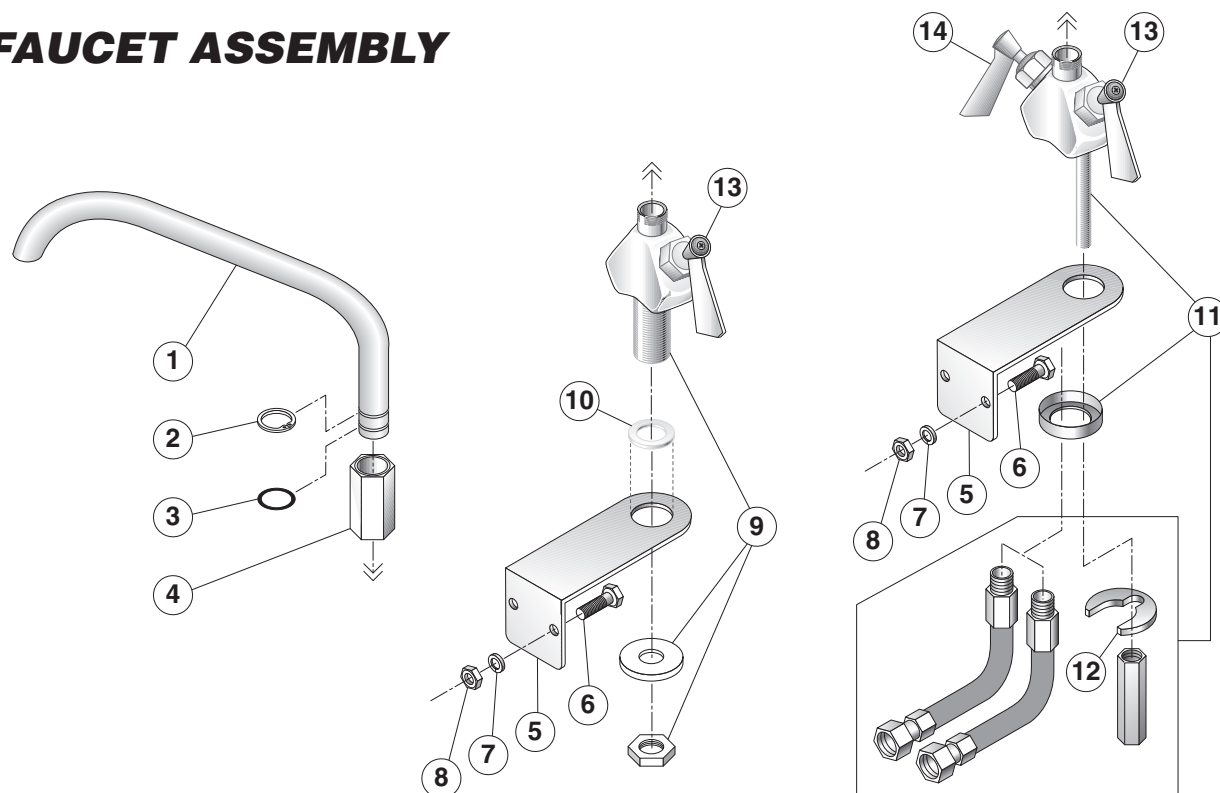
# SERVICE PARTS

## WARRANTY

Our Company supports a worldwide network of Maintenance and Repair Centers. Contact your nearest Maintenance and Repair Centre for replacement parts, service, or information regarding the proper maintenance and repair of your cooking equipment.

In order to preserve the various agency safety certification (UL, NSF, ASME/Ntl. Bd., etc.), only factory-supplied replacement parts should be used. The use of other than factory supplied replacement parts will void warranty.

## FAUCET ASSEMBLY



ITEM #	PART #	DESCRIPTION	QTY.
	<b>SPK13</b>	<b>SINGLE PANTRY FAUCET</b> (includes items 1-10)	
	<b>DPK13</b>	<b>DOUBLE PANTRY FAUCET</b> (includes items 1-8 & 11)	
1.	KE50825-7	3/4" SPOUT	1
2.	FA95007-10	RETAINING RING	1
3.	FA05002-19	"O" RING	1
4.	KE51736	LONG FAUCET NUT	1
5.	SK00395-1	FAUCET MOUNTING BRACKET	1
6.	FA11258	HEX CAP SCREW	2
7.	FA31029	LOCK WASHER	2
8.	FA210028	HEX NUT	2
9.	KE51401	SINGLE PANTRY BODY (c/w item 13)	1
10.	KE50335	ADAPTER WASHER	1
11.	KE51403	DOUBLE PANTRY BODY (c/w item 13 & 14)	1
12.	SE50447	REPLACEMENT HORSESHOE WASHER	1
13.	SE50021	REPLACEMENT STEM ASSEMBLY, COLD WATER	1
14.	SE50020	REPLACEMENT STEM ASSEMBLY, HOT WATER	1

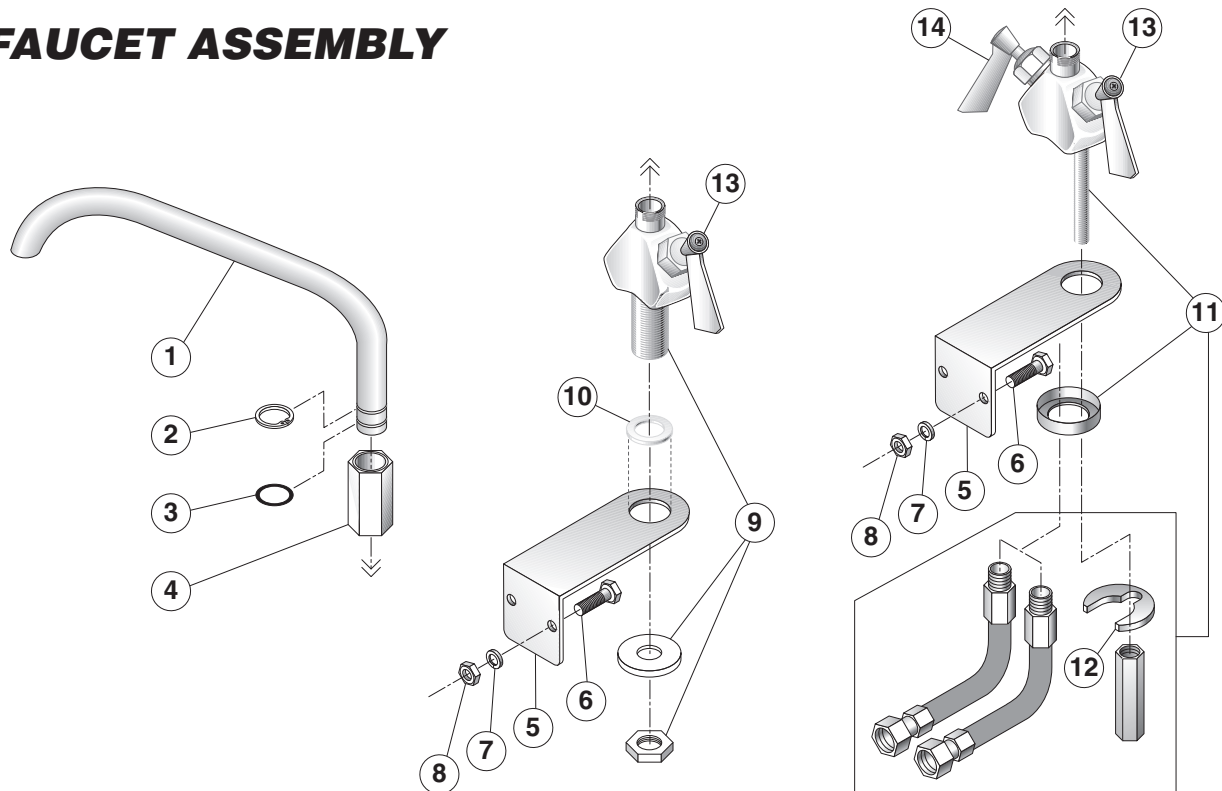
# SERVICE PARTS

## WARRANTY

Our Company supports a worldwide network of Maintenance and Repair Centers. Contact your nearest Maintenance and Repair Centre for replacement parts, service, or information regarding the proper maintenance and repair of your cooking equipment.

In order to preserve the various agency safety certification (UL, NSF, ASME/Ntl. Bd., etc.), only factory-supplied replacement parts should be used. The use of other than factory supplied replacement parts will void warranty.

## FAUCET ASSEMBLY



ITEM #	PART #	DESCRIPTION	QTY.
	<b>SPK14</b>	<b>SINGLE PANTRY FAUCET</b> (includes items 1-10)	
	<b>DPK14</b>	<b>DOUBLE PANTRY FAUCET</b> (includes items 1-8 & 11)	
1.	KE50825-6	3/4" SPOUT	1
2.	FA95007-10	RETAINING RING	1
3.	FA05002-19	"O" RING	1
4.	KE51736	LONG FAUCET NUT	1
5.	SK2382300	FAUCET MOUNTING BRACKET	1
	SK2382400	SPACER, FOR BRACKET	1
6.	FA11258	HEX CAP SCREW	2
7.	FA31029	LOCK WASHER	2
8.	FA210028	HEX NUT	2
9.	KE51401	SINGLE PANTRY BODY (c/w item 13)	1
10.	KE50335	ADAPTER WASHER	1
11.	KE51403	DOUBLE PANTRY BODY (c/w item 13 & 14)	1
12.	SE50447	REPLACEMENT HORSESHOE WASHER	1
13.	SE50021	REPLACEMENT STEM ASSEMBLY, COLD WATER	1
14.	SE50020	REPLACEMENT STEM ASSEMBLY, HOT WATER	1

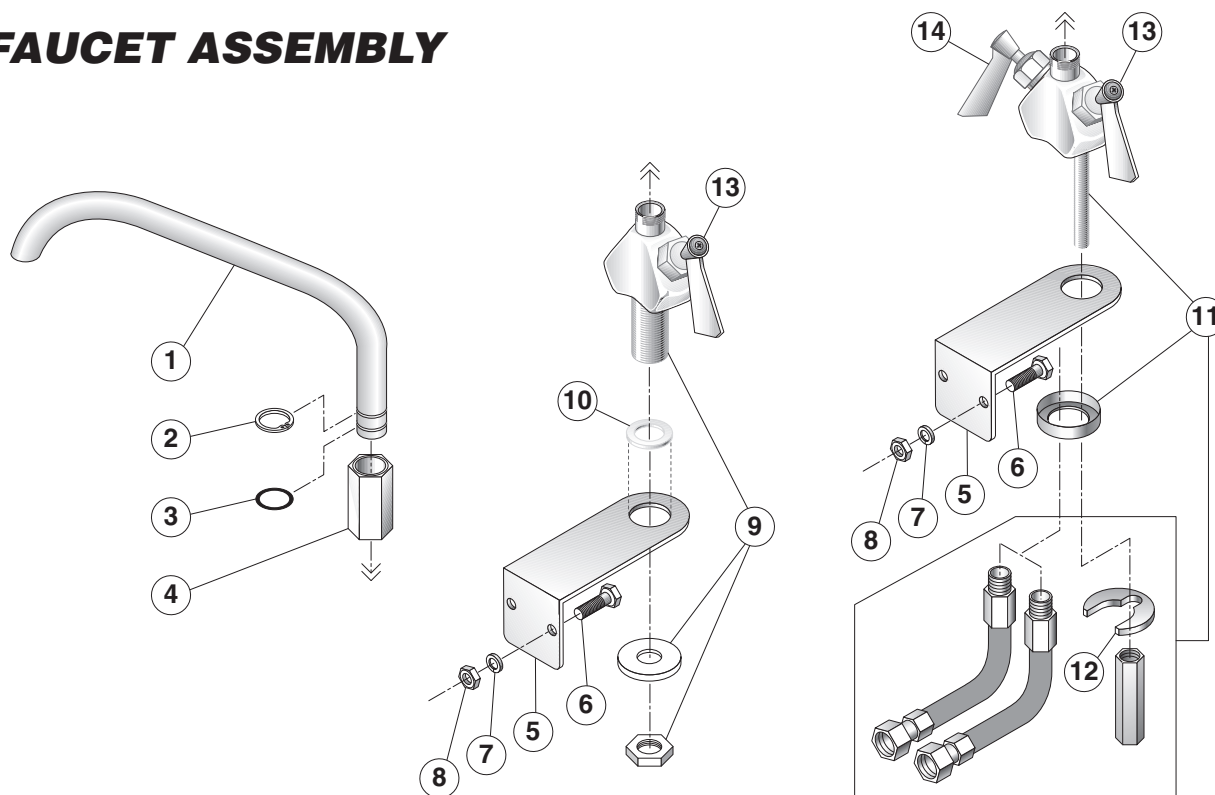
# SERVICE PARTS

## WARRANTY

Our Company supports a worldwide network of Maintenance and Repair Centers. Contact your nearest Maintenance and Repair Centre for replacement parts, service, or information regarding the proper maintenance and repair of your cooking equipment.

In order to preserve the various agency safety certification (UL, NSF, ASME/Ntl. Bd., etc.), only factory-supplied replacement parts should be used. The use of other than factory supplied replacement parts will void warranty.

## FAUCET ASSEMBLY



ITEM #	PART #	DESCRIPTION	QTY.
	<b>SPK15</b>	<b>SINGLE PANTRY FAUCET</b> (includes items 1-10)	
	<b>DPK15</b>	<b>DOUBLE PANTRY FAUCET</b> (includes items 1-8 & 11)	
1.	KE50825-6	3/4" SPOUT	1
2.	FA95007-10	RETAINING RING	1
3.	FA05002-19	"O" RING	1
4.	KE51736	LONG FAUCET NUT	1
5.	SK2308800	FAUCET MOUNTING BRACKET	1
6.	FA11258	HEX CAP SCREW	2
7.	FA31029	LOCK WASHER	2
8.	FA210028	HEX NUT	2
9.	KE51401	SINGLE PANTRY BODY (c/w item 13)	1
10.	KE50335	ADAPTER WASHER	1
11.	KE51403	DOUBLE PANTRY BODY (c/w item 13 & 14)	1
12.	SE50447	REPLACEMENT HORSESHOE WASHER	1
13.	SE50021	REPLACEMENT STEM ASSEMBLY, COLD WATER	1
14.	SE50020	REPLACEMENT STEM ASSEMBLY, HOT WATER	1

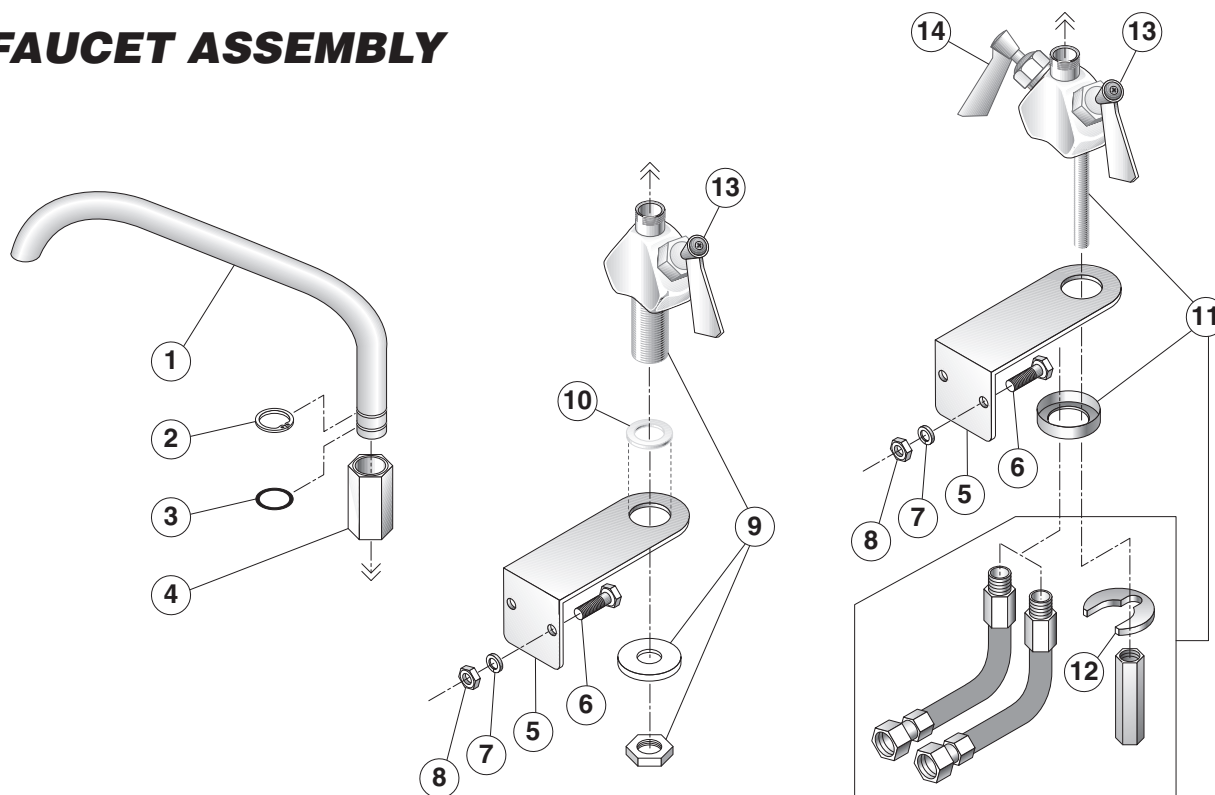
# SERVICE PARTS

## WARRANTY

Our Company supports a worldwide network of Maintenance and Repair Centers. Contact your nearest Maintenance and Repair Centre for replacement parts, service, or information regarding the proper maintenance and repair of your cooking equipment.

In order to preserve the various agency safety certification (UL, NSF, ASME/Ntl. Bd., etc.), only factory-supplied replacement parts should be used. The use of other than factory supplied replacement parts will void warranty.

## FAUCET ASSEMBLY



ITEM #	PART #	DESCRIPTION	QTY.
	<b>SPK16</b>	<b>SINGLE PANTRY FAUCET</b> (includes items 1-10)	
	<b>DPK16</b>	<b>DOUBLE PANTRY FAUCET</b> (includes items 1-8 & 11)	
1.	KE50825-6	3/4" SPOUT	1
2.	FA95007-10	RETAINING RING	1
3.	FA05002-19	"O" RING	1
4.	KE51736	LONG FAUCET NUT	1
5.	SK2302200	FAUCET MOUNTING BRACKET	1
6.	FA11258	HEX CAP SCREW	2
7.	FA31029	LOCK WASHER	2
8.	FA210028	HEX NUT	2
9.	KE51401	SINGLE PANTRY BODY (c/w item 13)	1
10.	KE50335	ADAPTER WASHER	1
11.	KE51403	DOUBLE PANTRY BODY (c/w item 13 & 14)	1
12.	SE50447	REPLACEMENT HORSESHOE WASHER	1
13.	SE50021	REPLACEMENT STEM ASSEMBLY, COLD WATER	1
14.	SE50020	REPLACEMENT STEM ASSEMBLY, HOT WATER	1