

AIR POWERED CASING CLIPPER & LABEL PRINTER

Models

- SZ4135



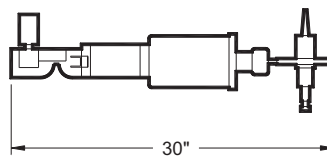
AIR POWERED CASING CLIPPER

Standard Features

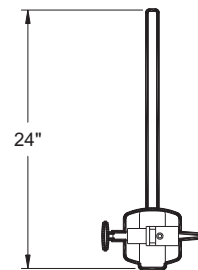
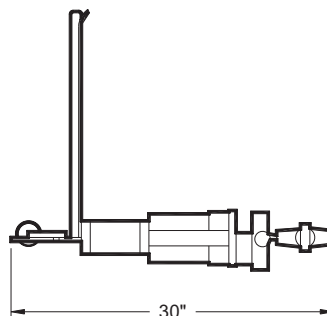
- Horizontal Clipper with automatic Clip feeding mechanism
- Seals Casings and trims ends in one quick Operation
- Provides an Air and Water tight Seal
- Unique closing devise assists in gathering Casing Neck
- Capable of clipping up to 40 Casings per Minute
- Adjustable Clip Crimping Control
- Safety shut-off Valve
- Air pressure Gauge
- Accepted for use in U.S.D.A. Inspected Facilities

Short Form Specifications

Shall be Cleveland Model SZ4135, Air powered Casing Clipper with Automatic Clip feeding mechanism; adjustable Clip crimping Control; Air pressure Gauge and Safety shut-off Valve.



CASING CLIPPER		
MODEL	AIR	ELECTRICAL
	A	⚡
SZ4135	10CFM, 90 TO 110 PSI	NONE



Lorem ipsum
 SZ4135
 CASING CLIPPER

(NOT TO SCALE)

