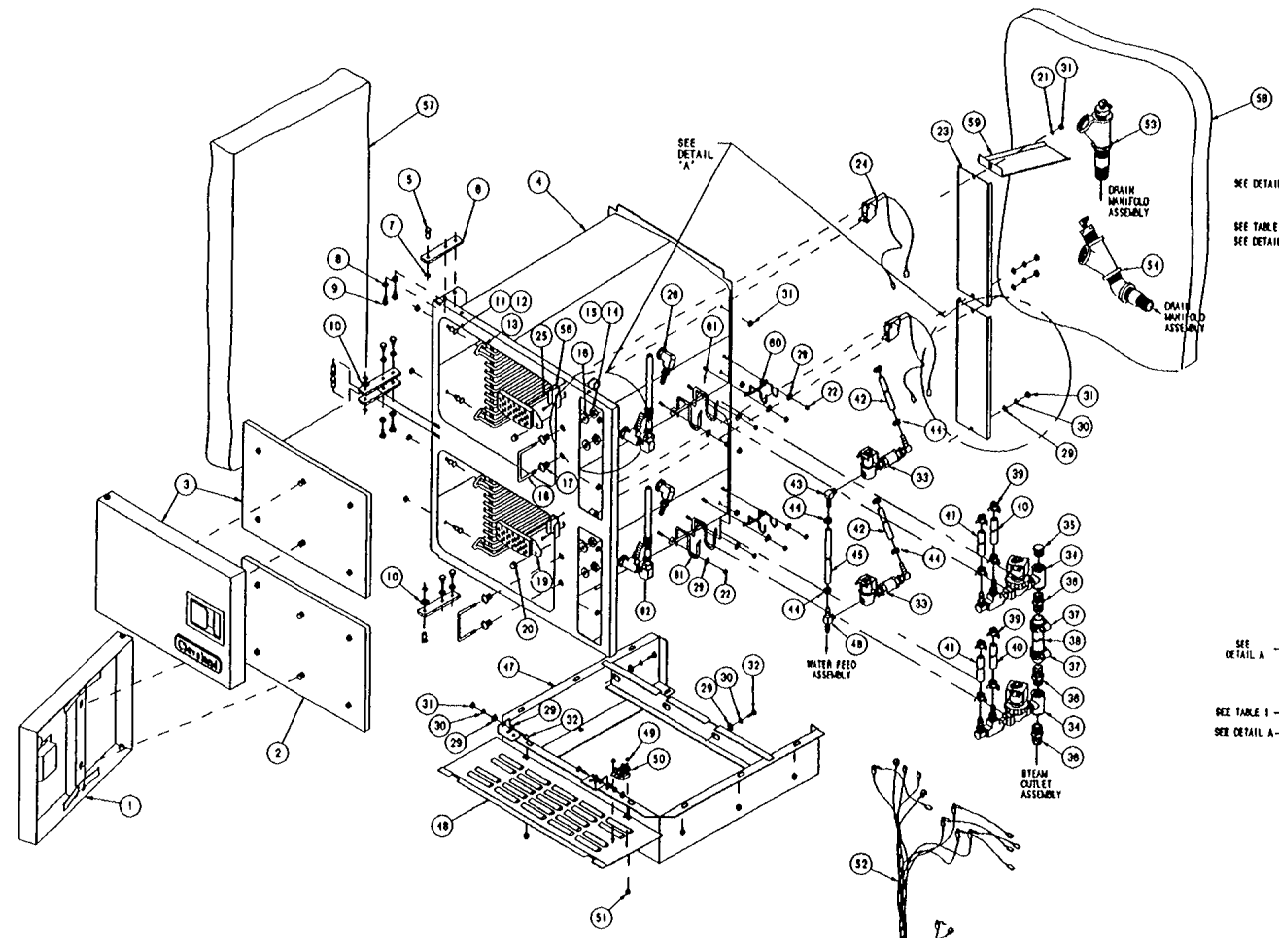
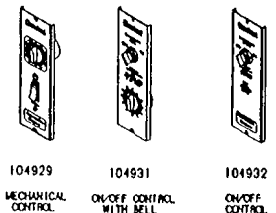


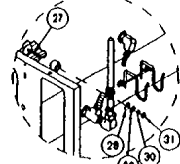
LET.	REVISIONS	DATE	BY
A	SEE E.O. 4C-2587	03-01-94	PJD
	SEE E.O. 4C-2579	05-24-94	
B	SEE E.O. 4C-2579 R1	07-22-94	PJD
C	SEE E.O. 4C-2579 R2	07-29-94	OLD
D	SEE E.O. 4C-2785	12-06-94	PJD



LET.	QTY	ITEM NO.	DESCRIPTION
△	82	2	107019 BREATHER/SPRAY NOZZLE ASSY. (3/8" I)
△	61	2	106722 BRACKET, VALVE SUPPORT ASSY.
△	60	2	106159 BRACKET ASSY. WATER, VALVE SUPPORT
SEE DETAIL A	59	1	106733 SHIELD, MOISTURE
58	1	104128 INSULATION, CONVECTION BODY REAR	
58	1	104125 INSULATION, CONVECTION BODY WRAP	
SEE TABLE 1	55	-	105442 GUARD, SWITCH PROTECTION
SEE DETAIL A	55	2	109172 SWITCH, THERMAL
△	54	1	106473 DRAIN, LOWER COMP., CONNECTION
△	53	1	106473 DRAIN, UPPER COMP., CONNECTION
52	-	-	104219 HARNESS WIRING, ON/OFF
-	-	-	104189 HARNESS WIRING, ELECTRONIC
-	-	-	103856 HARNESS WIRING, MECHANICAL
51	8	14879	NUT, ACONR 10-24 8/S
50	1	44168	TERMINAL BLOCK ASSY. 2 POLE
-	-	-	104293 NUT, HEX 8-32 ELASTIC LOCK
48	1	102589	PANEL, FRONT FILLER
47	1	40249	PEDESTAL, WELDMENT HINGE LEFT
△	49	1	106841 FITTING, HOSE 1/4" H X 1/4" H X 1/4" MP
△	45	1	1058501300 HOSE, NY-80 1/2" X 1/2" X 13" LG
44	8	106528	CLAMP, HOSE, METAL 3/16 TO 5/16 DIA
43	1	105788	FITTING, HOSE 1/4" H X 1/4" MP 90°
△	42	2	105850100 HOSE, NY-80 1/4" X 1/2" X 10" LG
△	41	2	1052730500 HOSE, SILICONE 3/8" X 5/8" X 5" LG
△	40	2	1052730600 HOSE, SILICONE 3/8" X 5/8" X 9" LG
39	8	107099	CLAMP, METAL TENSION BAND (3/8" I)
△	38	1	08511100 HOSE, SILBRIDE 3/4" X 1" X 11 LG
37	2	03207	CLAMP, HOSE, LINED, MAX OD 1.125"
36	3	08241	FITTING, HOSE BARB 3/4" H X 1/2" MP
35	2	106096	PIUG 1/2", BRASS
34	2	106830	STEAM INLET ASSEMBLY
33	2	106831	WATER VALVE ASSY. NEW CONV. STMR.
32	4	19288	SCREW, HEX HEAD 1/4-20 X 3/4
31	24	14818	NUT, HEX 1/4-20 S/S
30	9	23105	WASHER, LOCK 1/4" S/S
29	19	23110	WASHER, FLAT 1/4" X 5/8 X .065
28	2	23138	WASHER, FLAT 3/8 X 7/8 X 1/16
27	2	104409	CLOSURE, THERMAL OPENING
26	2	106230	STEAM SUPPLY ASSEMBLY, CONVECTION
25	-	-	105449 SCREW, TRUSS HEAD 8-32 X .312, S/S
24	-	-	104199 SWITCH ASSY., CHPT., STEAM SHUT-OFF
23	-	-	104199 SWITCH ASSY., CHPT., STEAM SHUT-OFF
22	8	14892	NUT, ELASTIC LOCK 810-2"
21	1	23137	WASHER 1/4", INTERNAL TOOTH
20	2	148771	NUT, ACONR 1/4-20
19	2	89298	SCREEN, COMPARTMENT DRAIN
18	2	104048	CATCH, DOOR
17	4	14895	NUT, DOOR CATCH MOUNTING 8/S
16	4	23149	WASHER, NYLON, TYPE 8-8
15	A/R	01205	ADHESIVE, LOCKTITE #290
14	4	14849	NUT, HEX 1/2-13 ZINC PLATED
13	4	41423	RACK, PAN SLIDE 20"
12	A/R	00932	SEALANT, RTV
11	16	101305	PIN, RACK
10	2	102513	WASHER, FLAT 5/16 X 3/4 X .080 S/S
9	8	02312	BOLT, HEX HEAD 5/16-24 X 1/2" S/S
8	8	23106	WASHER, LOCK MED. PATTERN 5/16 S/S
7	4	104082	RING, SNAP S/S
6	4	104078	HINGE, DOOR
5	4	104077	PIN, HINGE
4	1	104891	CONVECTION BODY WELDMENT IN
3	-	-	1085751 DOOR ASSY., H.L. W/ACTUATOR
2	1	104110	DOOR, INNER ASSEMBLY
1	-	-	1035371 DOOR, OUTER ASSY., H.L. W/ACTUATOR
-	-	-	103537 DOOR, OUTER ASSEMBLY, H.L.



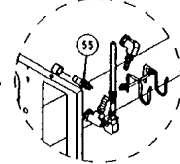
104929 MECHANICAL CONTROL
 104931 ON/OFF CONTROL WITH BELL
 104932 ON/OFF CONTROL



104930 THERMAL SWITCH CLOSURE (MECHANICAL & ON/OFF)



104930 THERMAL SWITCH (ELECTRONIC OPTION)



ITEM 59 (MOISTURE SHIELD) ELECTRONIC OPTION ONLY

TABLE '1'
STEAM SHUT-OFF OPTION

ITEM NO.	QTY	DESCRIPTION
105442	GUARD	58/2
105449	SCREW	25/4
104199	SWITCH	24/2
1063751	DOOR	3/1
1031971	DOOR	1/1

PRODUCTION

THIS DESIGN DESCRIBES A PROPRIETARY ITEM AND IS THE PROPERTY OF CLEVELAND RANGE. THIS DRAWING IS NOT TO BE COPIED OR USED WITHOUT THE APPROVAL OF CLEVELAND RANGE.

TIMER OPTIONS - DETAIL A

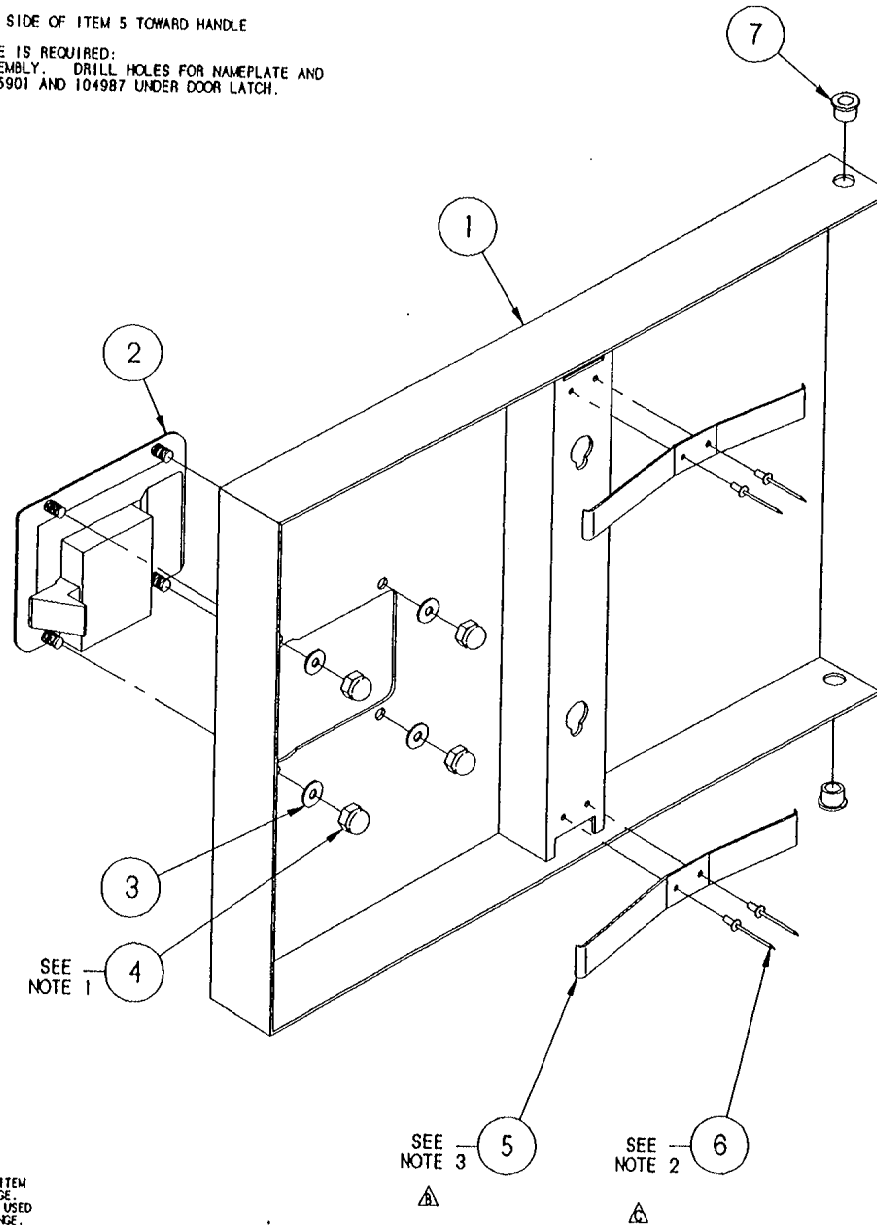
TOLERANCES (EXCEPT AS NOTED)		CLEVELAND RANGE INC. 1333 East 179th St. Cleveland, Ohio 44110-2574	
DECIMAL ± N/A	SCALE NTS	DRAWN BY DUTCHMAN	APPROVED BY
ANGULAR ± N/A	TITLE	CONVECTION H.L. FINAL ASSEMBLY PRODUCTION, ALL OPTIONS	
CK	DATE 11-02-93	DRAWING NO. C - 105509	REV. D

NOTES : 1.) USE LOCTITE #222 - LOW STRENGTH (#104146) ON ITEM 4

⚠ 2.) USE RTV (#00833) ON ITEM 6

⚠ 3.) ORIENT LONGER SIDE OF ITEM 5 TOWARD HANDLE

⚠ 4.) WHEN NAMEPLATE IS REQUIRED:
ATTACH AT ASSEMBLY. DRILL HOLES FOR NAMEPLATE AND
MOUNT P/NS 105901 AND 104987 UNDER DOOR LATCH.



SEE
NOTE 1

SEE
NOTE 3

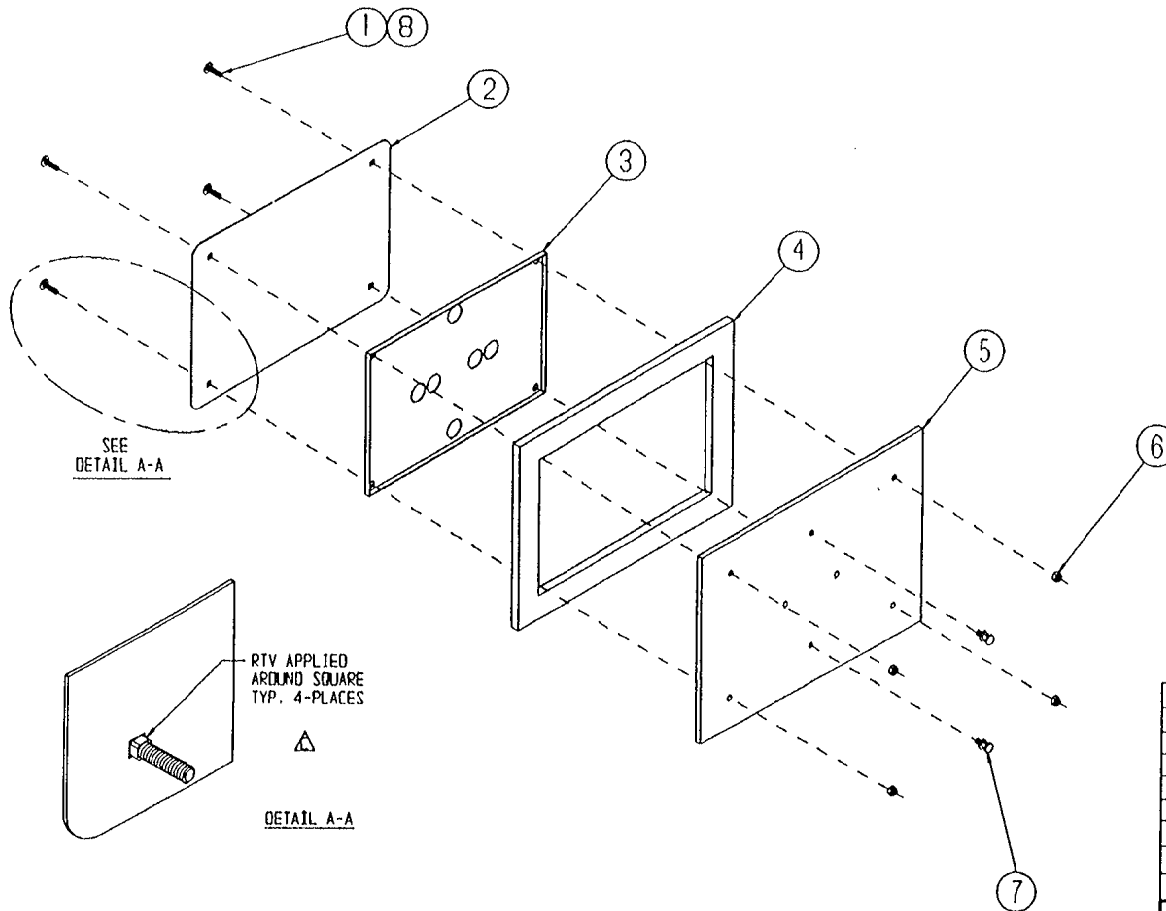
SEE
NOTE 2

THIS DESIGN DESCRIBES A PROPRIETARY ITEM
AND IS THE PROPERTY OF CLEVELAND RANGE.
THIS DRAWING IS NOT TO BE COPIED OR USED
WITHOUT THE APPROVAL OF CLEVELAND RANGE.

LET.	REVISIONS	DATE	BY
B	NOTE 3 WAS UPDATED, WAS ITEM 6 CALLOUT PER E.O. #C-1908	01-01-91	DJP
C	NOTE 2 REVISED, WAS ITEM 7 CALLOUT PER E.O. #C-1908 R1	03-19-92	PJD
D	P/NS 105901 & 104987 ADDED PER E.O. #C-2441 R2	08-28-93	PJD
E	P/NS 105901 & 104987 REF. ONLY PER E.O. #C-2441 R3	08-05-93	PJD
F	P/NS 105901 & 104987 REMOVED PER E.O. #C-2441 R5	12-13-93	PJD

7	2	103641	BUSHING, BRONZE
6	4	18357	RIVET, 1/8" DIA. FLUSH BREAK, S/S
5	2	102228	SPRING, DOOR
4	4	14679	NUT, #10-24 ACORN, S/S
3	4	101655	WASHER, #10 FLAT, S/S
2	1	103643	LATCH, DOOR - PADDLE TYPE
1	1	103527	OUTER DOOR WELDMENT, H.L.
ITEM	QTY.	PART NO.	DESCRIPTION
TOLERANCES (EXCEPT AS NOTED)			CLEVELAND RANGE INC. 1333 East 179th St., Cleveland, Ohio 44110-2574
DECIMAL ± N/A	SCALE 5/8=1	DRAWN BY DUTCHMAN	
ANGULAR ± N/A	TITLE DOOR, OUTER ASSEMBLY SC 3.1 CONNECTION, H.L.		
CK	DATE 02-28-91	115502	REV. F

LET.	REVISIONS	DATE	BY
A	REVISED PER E.O. #C-1872 R5	2-28-91	PJC
B	REVISED PER E.O. #C-1872 R7	5-13-91	PJC
C	REVISED PER E.O. #C-1993	8-05-91	PJC

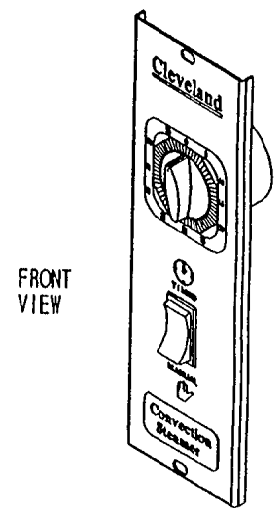
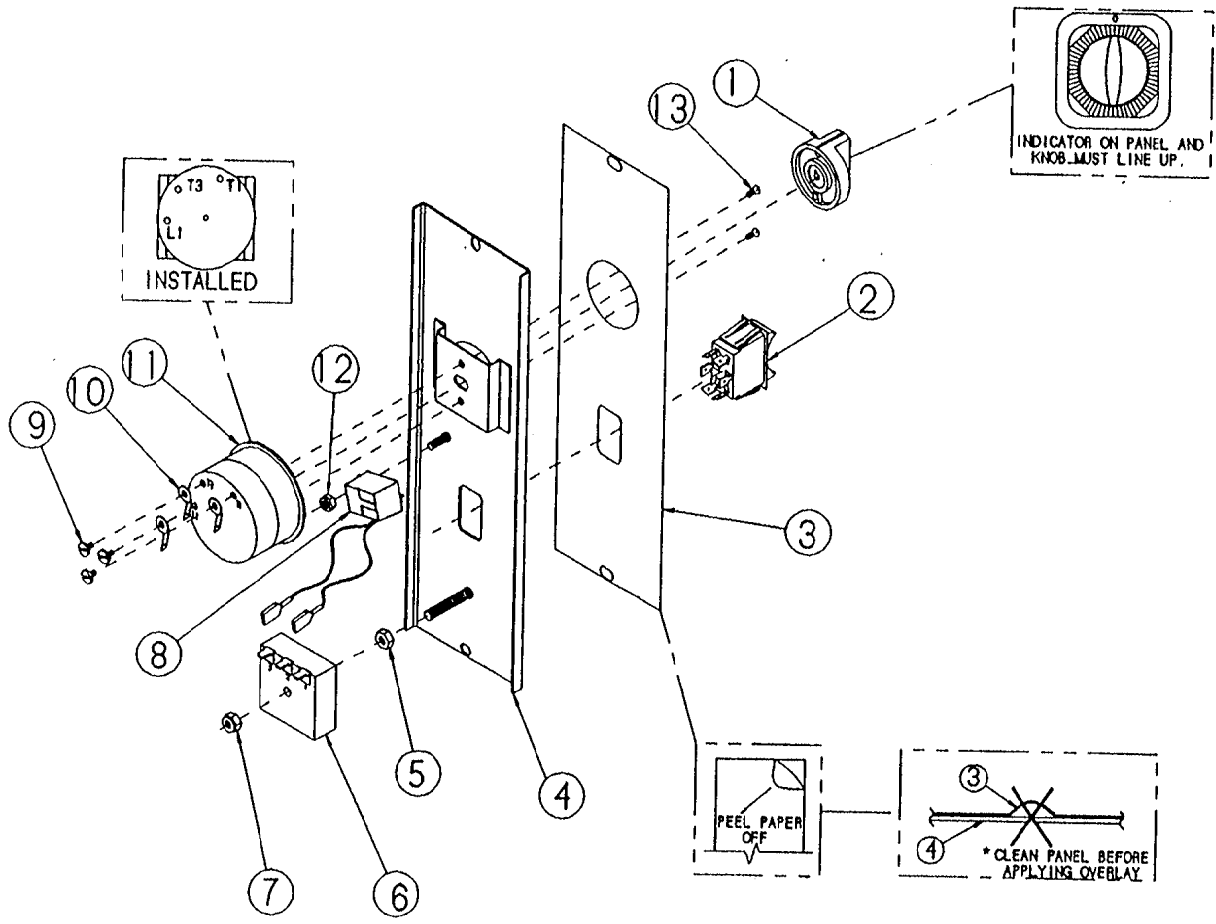


ITEM	QTY.	PART NO.	DESCRIPTION
8	A/R	00932	SEALANT, RTV
7	2	19923	PIN GUIDE, INNER DOOR
6	4	14665	NUT, HEX LOCK 1/4-20
5	1	100745	INNER DOOR WELDMENT
4	1	07138	DOOR GASKET
3	1	66214	INNER GASKET RETAINER
2	1	66595	GASKET RETAINER PLATE
1	4	104719	BOLT, CARRIAGE 1/4-20 X 1.000"

TOLERANCES (EXCEPT AS NOTED)		CLEVELAND RANGE INC.		
		1333 East 178th St. Cleveland, Ohio 44110-2574		
DECIMAL ± N/A	SCALE N/A	DRAWN BY P. J. D.	APPROVED BY D. S.	
ANGULAR ± N/A	TITLE DOOR, INNER ASS'Y. SC 3.1 CONV. (NEW STYLE MODEL C)			
CK	DATE 02-28-91	DRAWING NO. B- 104101	REV. C	

THIS DESIGN DESCRIBES A PROPRIETARY ITEM
AND IS THE PROPERTY OF CLEVELAND RANGE.
THIS DRAWING IS NOT TO BE COPIED OR USED
WITHOUT THE APPROVAL OF CLEVELAND RANGE.

LET	REVISIONS	DATE	BY
A	HOLES ADDED TO LABEL P/N 105890 WAS 103720 EO #C-2182	04-06-92	PJD
B	105890 COLOR/ARTWORK CHANGE PER E.O. #C-2503 & C-2424	09-21-93	PJD



FRONT VIEW

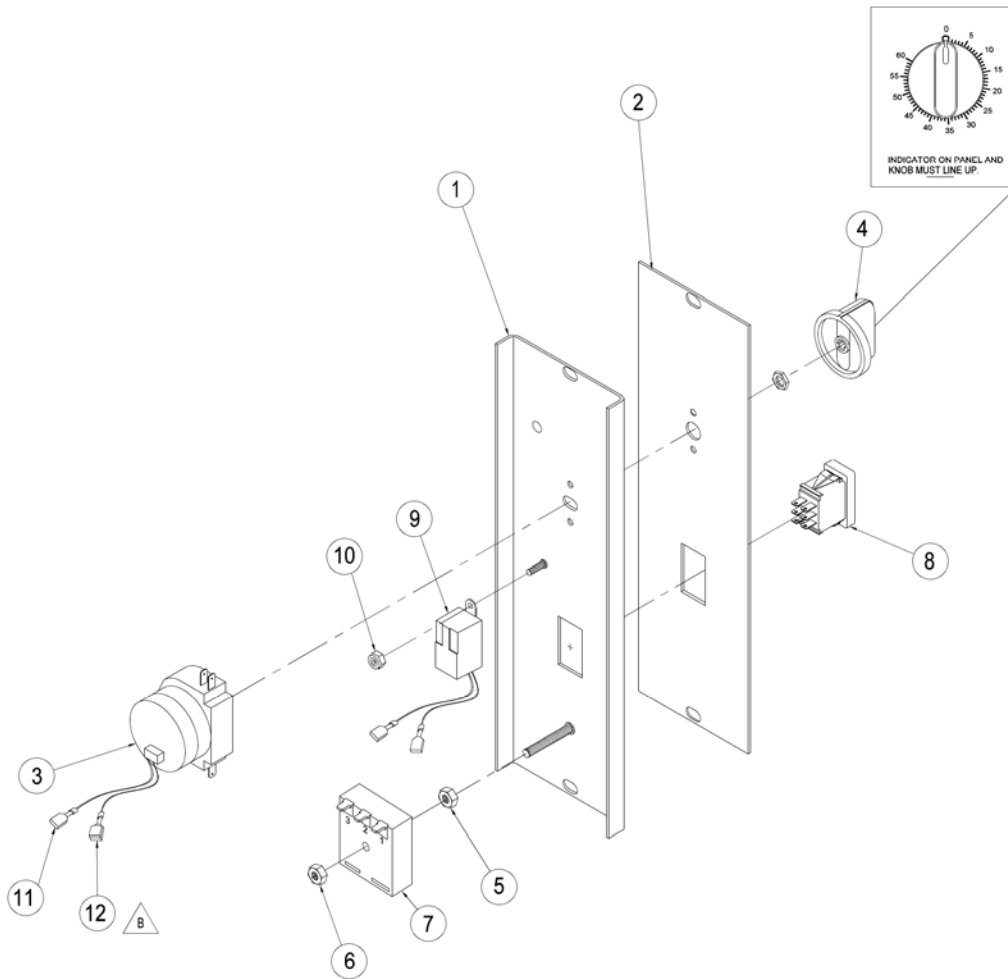
NO.	QTY.	PART NO.	DESCRIPTION
13	2	19201	SCREW S-40 X .250 PAN HD. SLTD. S/S
12	1	14892	NUT, 10-20 ELASTIC LOCK, STEEL PLTD
11	1	20478	TIMER, 60 MIN. MECHANICAL SWITCHING
10	3	20323	TERMINAL, #10 RING / .25 MALE TAB
9	3	- - -	INCLUDED IN ITEM 10
8	1	41350	BUZZER ASSEMBLY WITH TERMINALS
7	1	101873	NUT, 1/4-20 ELASTIC LOCK
6	1	20477	TIMER, SOLID STATE, 3 SECOND DELAY
5	1	14818	NUT, HEX, 1/4-20 S/S
4	1	104958	PANEL, TIMER - CONV. MECHANICAL
3	1	105890	LABEL, PANEL - MECH. TIMER CONV.
2	1	19992	SWITCH, ROCKER, COMPT. BYPASS
1	1	11307	KNOB, TIMER



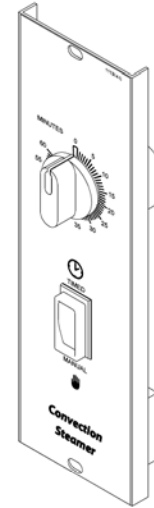
TOLERANCES UNLESS SHOWN			
CLEVELAND RANGE INC. 1333 East 178th St. Cleveland, Ohio 44110-2574			
DECIMAL	SCALE	DRAWN BY	APPROVED BY
1 N/A	N/A	OUTCHBAH	D.B.
TITLE			
TIMER ASSEMBLY - BACK MOUNTED CONVECTION STEAMER MECHANICAL			
OK	DATE	DRAWING NO.	REV.
	09-16-91	C-104929	B

THIS DESIGN DESCRIBES A PROPRIETARY ITEM AND IS THE PROPERTY OF CLEVELAND RANGE. THIS DRAWING IS NOT TO BE COPIED OR USED WITHOUT THE APPROVAL OF CLEVELAND RANGE.

LET.	REVISIONS	DATE	BY
A	PRODUCTION RELEASE PER E.O. #C-8660R3	5-24-04	IG
B	PICTORIAL UPDATE; ITEM 12, PIN 20315, QTY 1	09-25-08	TJW
-	WAS PIN 20316, QTY 1; PER ECR-08-170	-	-



EXPLODED VIEW



ASSEMBLED VIEW
AFTER SEPTEMBER 2004

300320 Harness assy.

ITEM	QTY	PART NO.	DESCRIPTION
12	1	20315	TERM, PIGGYBACK, SEMI-INSUL, 1/32 x 1/4 TAB, 22-15.5 AWG
11	1	20351	TERMINAL, FEMALE, FULL INSUL, 1/32 x 1/4 TAB, 22-18 AWG
10	1	14672	NUT, HEX, LOCK, #10-32
9	1	41350	BUZZER
8	1	104224	SWITCH, DPDT
7	1	20477	TIMER, 3-SECOND
6	1	101873	NUT, HEX, LOCK, 1/4-20
5	1	14617	NUT, HEX, 1/4-20
4	1	110661	KNOB, TIMER
3	1	110198	TIMER, MOTOR DRIVEN W/ MTG NUT
2	1	111314	LABEL, CONTROL, MECHANICAL, CONVECTION
1	1	110812	CONTROL PANEL WELDMENT

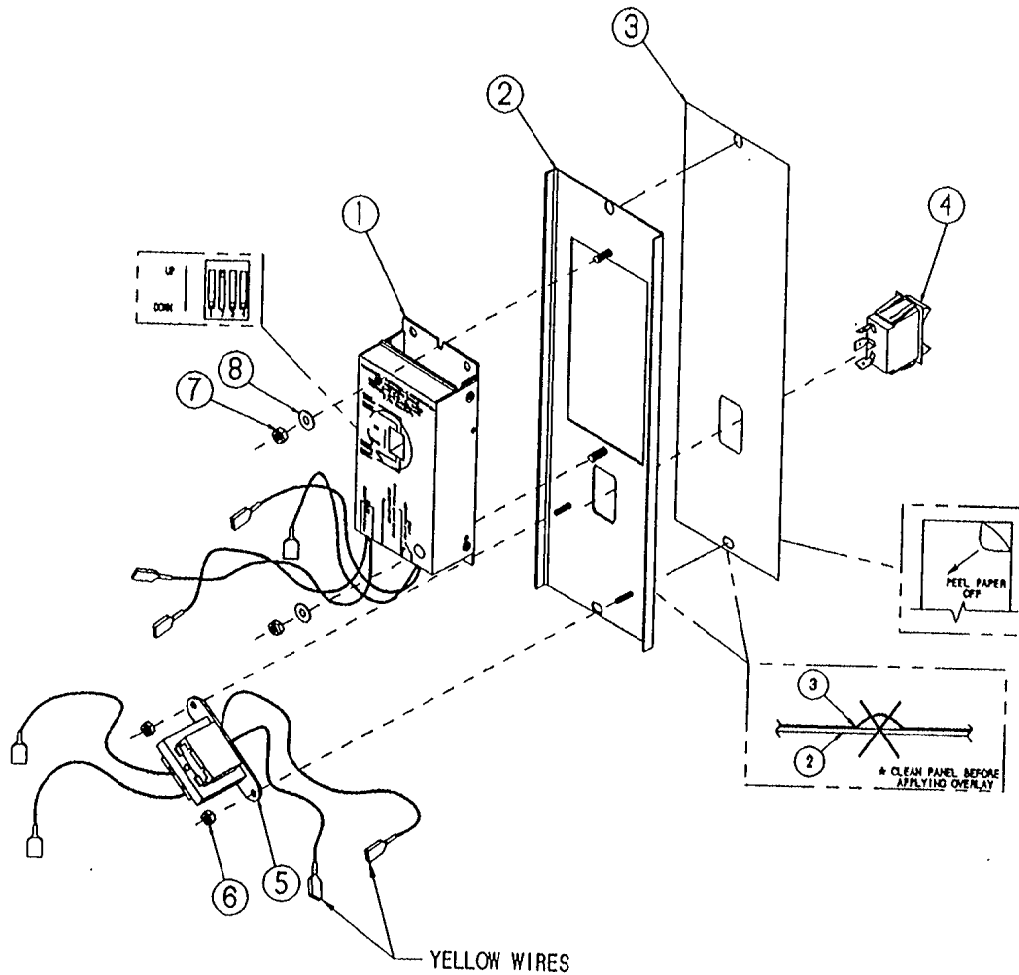
CLEVELAND RANGE, LLC

1333 East 179th St., Cleveland, Ohio 44110-2574

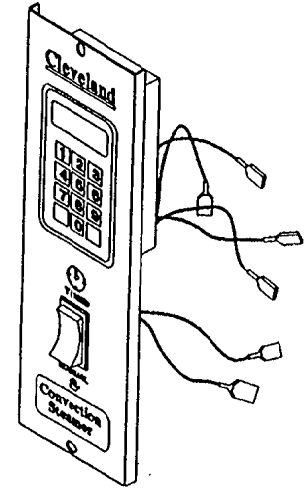
THIS DESIGN DESCRIBES A PROPRIETARY ITEM AND IS THE PROPERTY OF CLEVELAND RANGE. THIS DRAWING IS NOT TO BE COPIED OR USED WITHOUT THE APPROVAL OF CLEVELAND RANGE.

TOLERANCES (UNLESS OTHERWISE NOTED)	DO NOT SCALE PRINTED DRAWING	DRAWN BY IG	DATE 5-21-04
DECIMAL N/A	TITLE CONTROL PANEL ASSY, MECHANICAL CONVECTION W/MOTORIZED TIMER		
ANGULAR N/A	SIZE C	DRAWING NO. 300321	SHEET 1 OF 1 REV B

LET	REVISIONS	DATE	BY
A	HOLES ADDED TO LABEL P/N 105889 WAS 104478 EO #C-2182	04-08-92	PJD
B	105889 COLOR/ARTWORK CHANGE PER E.O. #C-2503 & C-2424	09-21-93	PJD



FRONT VIEW



THIS DESIGN DESCRIBES A PROPRIETARY ITEM
AND IS THE PROPERTY OF CLEVELAND RANGE.
THIS DRAWING IS NOT TO BE COPIED OR USED
WITHOUT THE APPROVAL OF CLEVELAND RANGE.

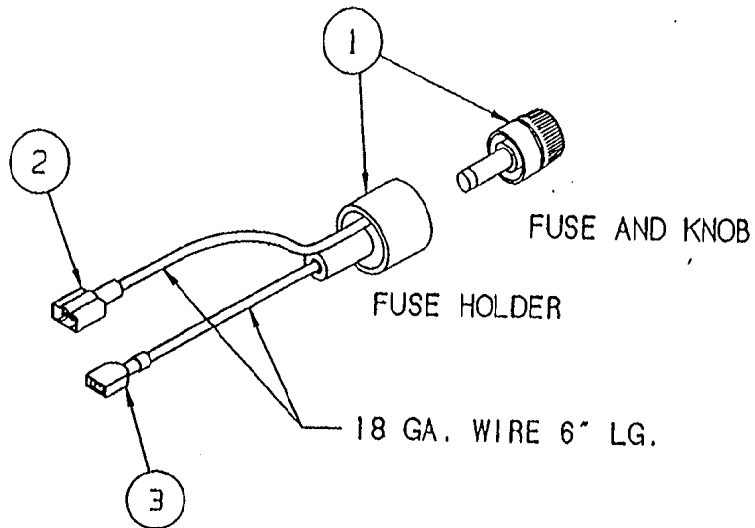


NO.	QTY.	PART NO.	DESCRIPTION
8	2	101635	WASHER, FLAT #10 S/S
7	2	14892	NUT, HEX 10-24 ELASTIC LOCK
6	2	104223	NUT, HEX 8-32 ELASTIC LOCK
5	1	104390	TRANSFORMER, ASSEMBLY
4	1	104221	SWITCH, ROCKER, SPOT MATTE FINISH
3	1	105889	LABEL, CONT. PANEL, HCC - CONY.
2	1	104701	PANEL, WELDMENT ELECTRONIC
1	1	104389	TIMER, ASSEMBLY - HCC

TOLERANCES (UNLESS OTHERWISE SPECIFIED)			
CLEVELAND RANGE INC. 1303 East 179th St. Cleveland, Ohio 44110-2874			
DECIMAL	SCALE	DRAWN BY	APPROVED BY
2 N/A	1/2"	DUTCHMAN	D.S.
TITLE TIMER ASSEMBLY - BACK MOUNTED CONVECTION STEAMER ELECTRIC			
ANGULAR	DATE	DRAWING NO.	REV.
2 N/A	09-17-91	C-104930	B

LET.	REVISIONS	DATE	BY
A	PICTORIAL CHANGE PER E.O. #2591 RI	05-06-94	PJD

U.L. AND C.S.A.
APPROVED



3	1	20351	TERMINAL, SLIP ON FEMALE
2	1	20370	TERMINAL, SLIP ON, MALE
1	1	106881	FUSE AND HOLDER ASSEMBLY
ITEM	QTY.	PART NO.	DESCRIPTION

TOLERANCES
(EXCEPT AS NOTED)

DECIMAL
± .030

ANGULAR
± 1°

CLEVELAND RANGE INC.

1333 East 179th St. Cleveland, Ohio 44110-2574

SCALE
2=1

DRAWN BY
DUTCHMAN

APPROVED BY
-

TITLE

FUSE AND HOLDER WIRE ASSY.
NCC TIMER RETROFIT

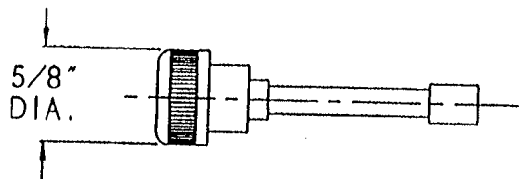
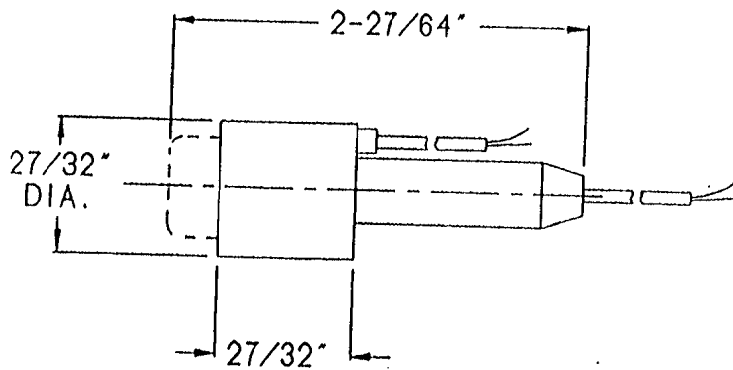
CK

DATE
05-06-94

DRAWING NO.
A - 106870

REV.
A

THIS DESIGN DESCRIBES A PROPRIETARY ITEM
AND IS THE PROPERTY OF CLEVELAND RANGE.
THIS DRAWING IS NOT TO BE COPIED OR USED
WITHOUT THE APPROVAL OF CLEVELAND RANGE.



BUSSMAN HLR
FUSE HOLDER

GUIDE #1ZLT2 U.L.
FILE #B14853 U.L.

CLASS #6225-01 C.S.A.
FILE #47235 C.S.A.

BUSSMAN GLR 2 AMP
NON-DELAY FUSE

GUIDE #JDYX U.L.
FILE #E19180 U.L.

CLASS #1422-01 C.S.A.
FILE #53787 C.S.A.

APPROVED SOURCE:

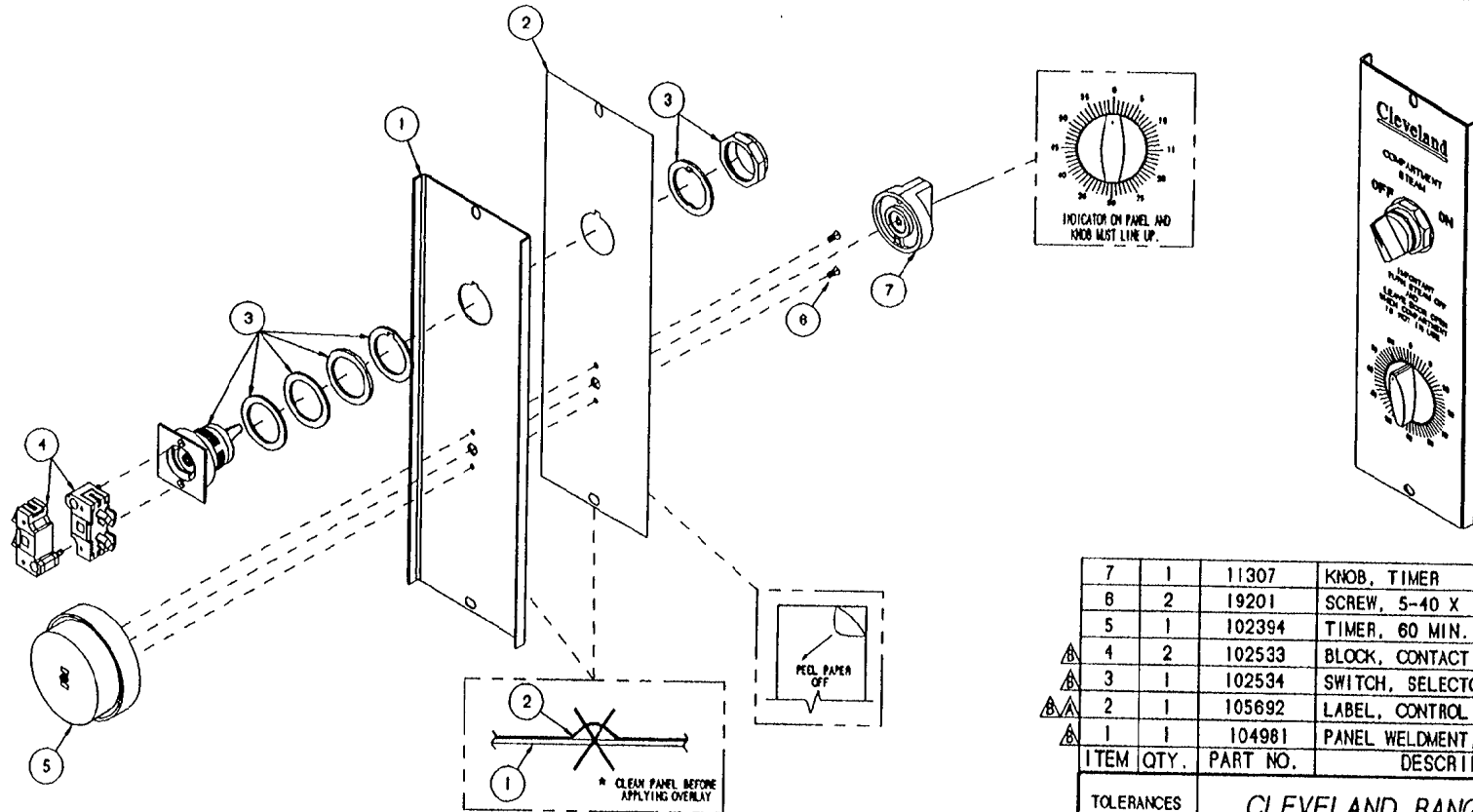
CONSOLIDATED ELECTRICAL DISTRIBUTORS, INC.
7444 TYLER BLVD., MENTOR, OHIO 44060
PHONE (216) 946-8850

THIS DESIGN DESCRIBES A PROPRIETARY ITEM
AND IS THE PROPERTY OF CLEVELAND RANGE.
THIS DRAWING IS NOT TO BE COPIED OR USED
WITHOUT THE APPROVAL OF CLEVELAND RANGE.

ITEM	QTY.	PART NO.	DESCRIPTION
TOLERANCES (EXCEPT AS NOTED)		CLEVELAND RANGE INC. 1333 East 179th St. Cleveland, Ohio 44110-2574	
DECIMAL ± .030	SCALE 2=1	DRAWN BY DUTCHMAN	APPROVED BY -
ANGULAR ± 1°	TITLE FUSE AND HOLDER ASSY. NCC TIMER RETROFIT		
CK	DATE 05-06-94	DRAWING NO. A - 106881	REV. -

LET.	REVISIONS	DATE	BY

LET.	REVISIONS	DATE	BY
A	HOLES ADDED TO LABEL, P/N 105692 WAS 103719. E.O. C-2182.	04/08/92	PJD
B	UPDATED PICTORIALY PER E.O. #C-2429 & #C-2495 & #C-2503	09/13/93	NLT

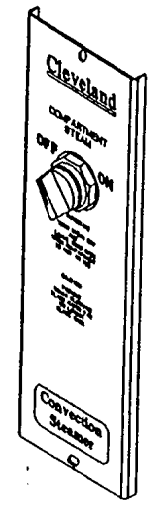
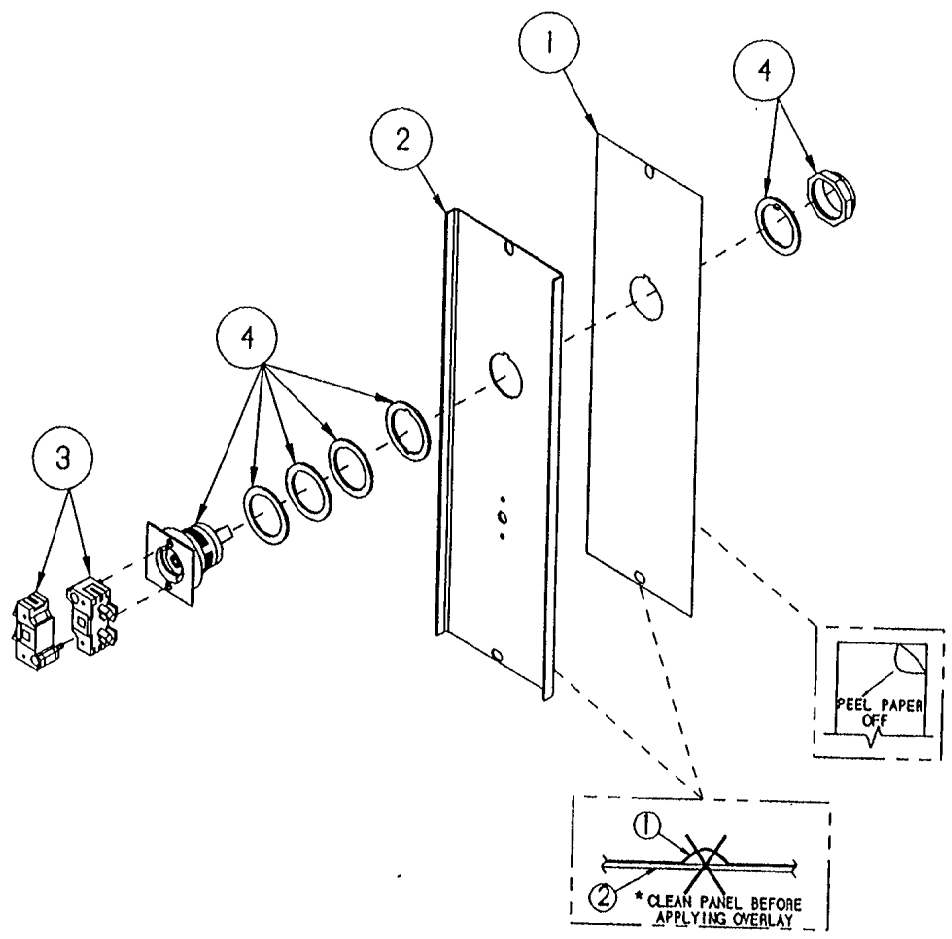


7	1	11307	KNOB, TIMER
6	2	19201	SCREW, 5-40 X .250, PAN HD
5	1	102394	TIMER, 60 MIN., INDICATING
△	4	102533	BLOCK, CONTACT
△	3	102534	SWITCH, SELECTOR
△	2	105692	LABEL, CONTROL PANEL, ON/OFF
△	1	104981	PANEL WELDMENT, ON/OFF CONTROL
ITEM	QTY.	PART NO.	DESCRIPTION

TOLERANCES (EXCEPT AS NOTED)		CLEVELAND RANGE INC. 1333 East 179th St. Cleveland, Ohio 44110-2574	
DECIMAL ± N/A	SCALE 3/8=1	DRAWN BY DUTCHMAN	APPROVED BY BEDFORD
ANGULAR ± N/A	TITLE TIMER ASSEMBLY, ON/OFF CONTROL W/ INDICATING TIMER		
CK	DATE 09-19-91	DRAWING NO. B - 104931	REV. B

THIS DESIGN DESCRIBES A PROPRIETARY ITEM AND IS THE PROPERTY OF CLEVELAND RANGE. THIS DRAWING IS NOT TO BE COPIED OR USED WITHOUT THE APPROVAL OF CLEVELAND RANGE.

LET	REVISIONS	DATE	BY
A	HOLES ADDED TO LABEL P/N 105691 WAS 103718 EO #C-2182	04-08-92	PJD
B	105891 COLOR/ARTWORK CHANGE & 101981 HOLE PLACEMENT REVISED PER E.O. #C-2503 & C-2424	09-21-93	PJD

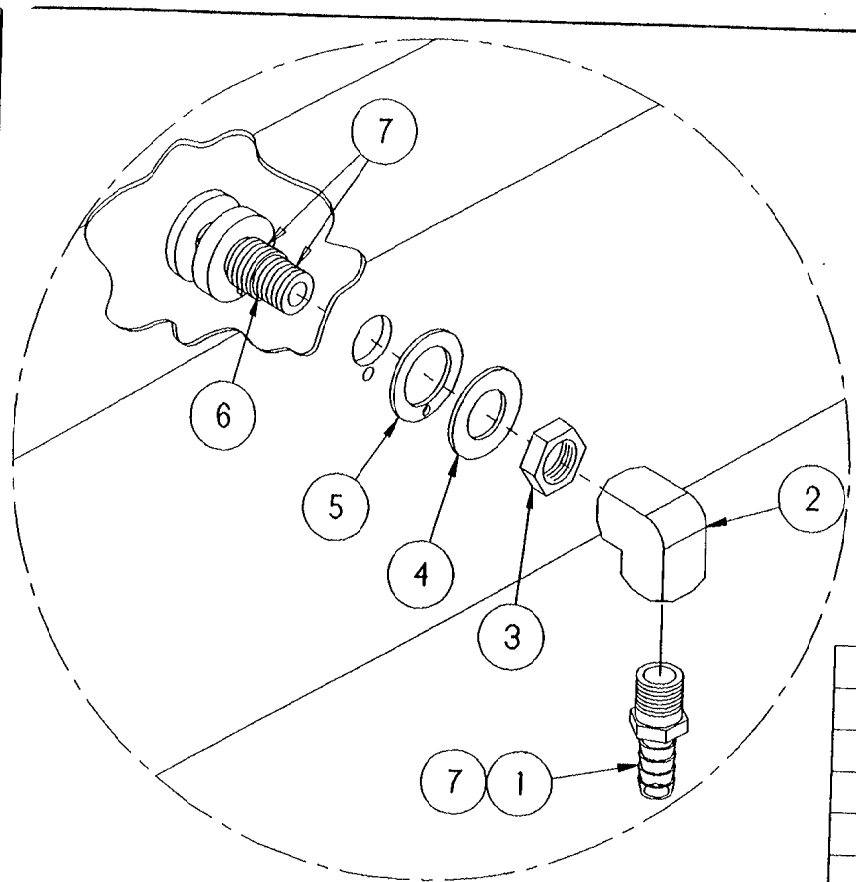


NO.	QTY	PART	DESCRIPTION
4	1	102534	SWITCH, SELECTOR
3	2	102533	BLOCK, CONTACT
2	1	104981	PANEL, CONV., ON/OFF
1	1	105691	LABEL, PANEL, ON/OFF

TOLERANCES UNLESS NOTED
 DECIMAL 1/16" N/A
 ANGULAR 1/2" N/A

CLEVELAND RANGE INC.
 1233 East 178th St., Cleveland, Ohio 44110-2574
 DRAWN BY DUTCHMAN APPROVED BY D.S.
 TITLE TIMER ASSEMBLY - BACK MOUNTED CONVECTION STEAMER, ON/OFF
 DATE 09-19-91 DRAWING NO. C-104932 REV. B

THIS DESIGN DESCRIBES A PROPRIETARY ITEM AND IS THE PROPERTY OF CLEVELAND RANGE. THIS DRAWING IS NOT TO BE COPIED OR USED WITHOUT THE APPROVAL OF CLEVELAND RANGE.



TYPICAL APPLICATION

THIS DESIGN DESCRIBES A PROPRIETARY ITEM AND IS THE PROPERTY OF CLEVELAND RANGE. THIS DRAWING IS NOT TO BE COPIED OR USED WITHOUT THE APPROVAL OF CLEVELAND RANGE.

LET.	REVISIONS	DATE	BY
A	SEE E.O. #C-2689	09-15-94	PJD

NOTES:

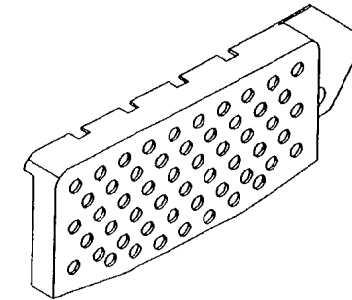
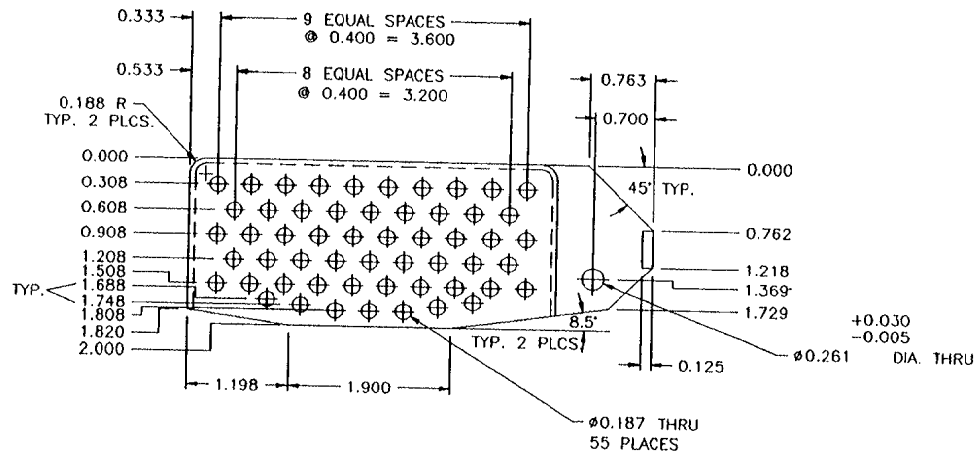
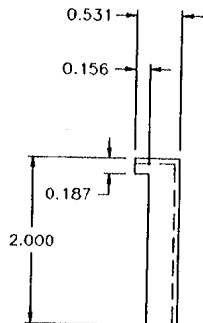
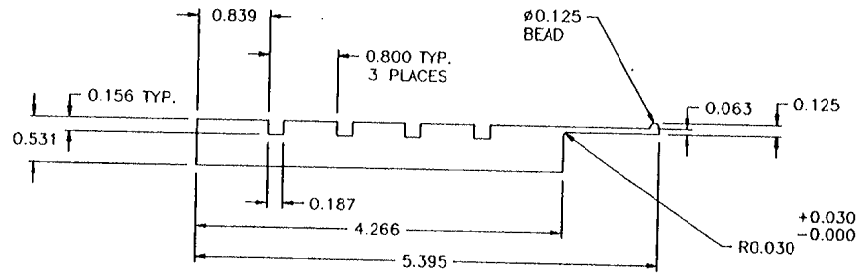
1.) ITEM 2 (P/N 05236) AND ITEM 1 (P/N 105277) TO BE ROTATED TO AN ANGLE THAT WILL MATCH THE OTHER SPRAY NOZZLES OR MEET A MATING HOSE FITTING.

ITEM	QTY.	PART NO.	DESCRIPTION
7	A/R	00934	SEALANT, RECTORSEAL
6	1	104009	FITTING, ASSY, STEAM SUPPLY
5	1	104082	GASKET, STEAM INJECTOR
4	1	104232	WASHER, FLAT S/S
3	1	104081	NUT, JAM 5/8-18, BRASS
2	1	05236	ELBOW, 1/4" X 90°, BRASS
1	1	105277	FITTING, HOSE 3/8 H X 1/4 MPT

TOLERANCES (EXCEPT AS NOTED)		<p align="center">CLEVELAND RANGE INC.</p> 1333 East 179th St. Cleveland, Ohio 44110-2574	
DECIMAL ± .030	SCALE 1/2"	DRAWN BY DUTCHMAN	APPROVED BY THOMPSON
ANGULAR ± 1°	TITLE SPRAY NOZZLE ASSY. (3/8" HOSE) CONVECTION AND CONVECTION PRO, STEAMCRAFT POWER 10 AND D.C. 10		
CK	DATE 12-14-92	DRAWING NO. A - 106230	REV. A

NOTE: TOLERANCES ARE NON-ACCUMULATIVE

LET.	REVISIONS	DATE	BY
C	REVISED/REDRAWN DEVELOPED NEW EO #C-1889	02/08/91	DJP
D	REVISED/REDRAWN .187 DIA. HOLES REPLACED BY OROUND SLOTS EO #C-1929-	04/30/91	DJP
E	CHANGED BACK TO .187 DIA. HOLES & MATERIAL CHANGED TO TALC FILLED POLYPROPYLENE PER EO #C-2299 R2	09/24/93	NLT
F	ADDED APPROVED SOURCE PER EO #C-2853	07/31/95	DJP



APPROVED SOURCE:

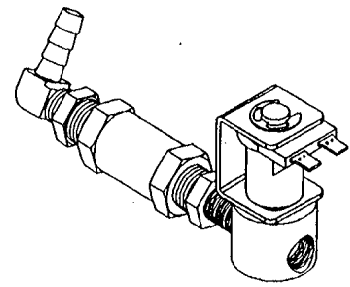
- 1.) ROYAL PLASTIC
 MATERIAL SUPPLIER: FERRO CORP.
 FORMULATION I.D. APP40GR17NA
 NSF DCC F004593-001

MATERIAL: TALC FILLED POLYPROPYLENE
 NOMINAL THICKNESS: 0.062 IN.
 COLOR: NATURAL

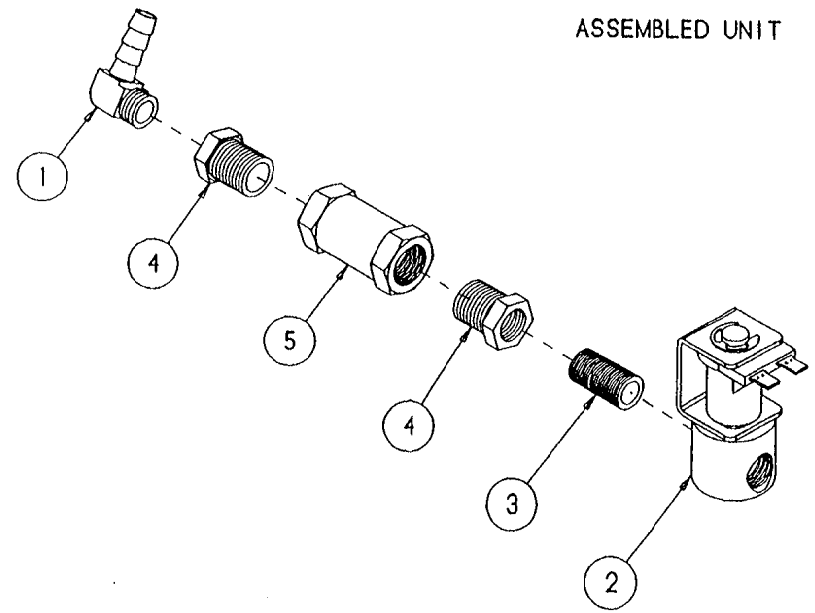
THIS DESIGN DESCRIBES A F ITEM AND IS THE PROPERTY OF CLEVELAND RANGE. THIS DRAWING IS NOT TO BE REPRODUCED OR USED WITHOUT THE APPROVAL OF CLEVELAND RANGE.

ITEM	QTY	PART NO.	DESCRIPTION
TOLERANCES EXCEPT AS NOTED		CLEVELAND RANGE INC. 1333 East 170th St. Cleveland, Ohio 44110-2574	
DECIMAL ± 0.30	SCALE 1=1	DRAWN BY NLT	APPROVED BY
ANGULAR ± 1°	TITLE SCREEN, DRAIN CO' MOLDED PLA		ENT,
AC	DATE 12/16/92	DRAWING NO. C-60208	REV

LET.	REVISIONS	DATE	BY
------	-----------	------	----



ASSEMBLED UNIT



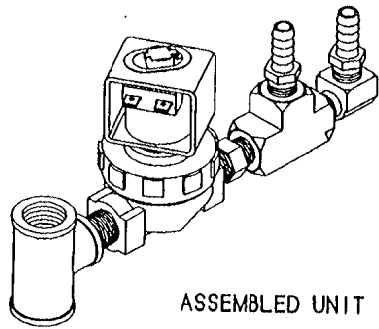
PRODUCTION

ITEM	QTY.	PART NO.	DESCRIPTION
5	1	15455	FLOW CONTROLLER, COND REGULATOR, 3/8"
4	2	02594	BUSHING, HEX, 3/8 X 1/4, BRASS
3	1	14304	NIPPLE, 1/4 X CLOSE, YELLOW BRASS
2	1	22218	VALVE, SOLENOID
1	1	105786	FTING, HOSEBARB, 1/4MPT X 1/4H, 90°

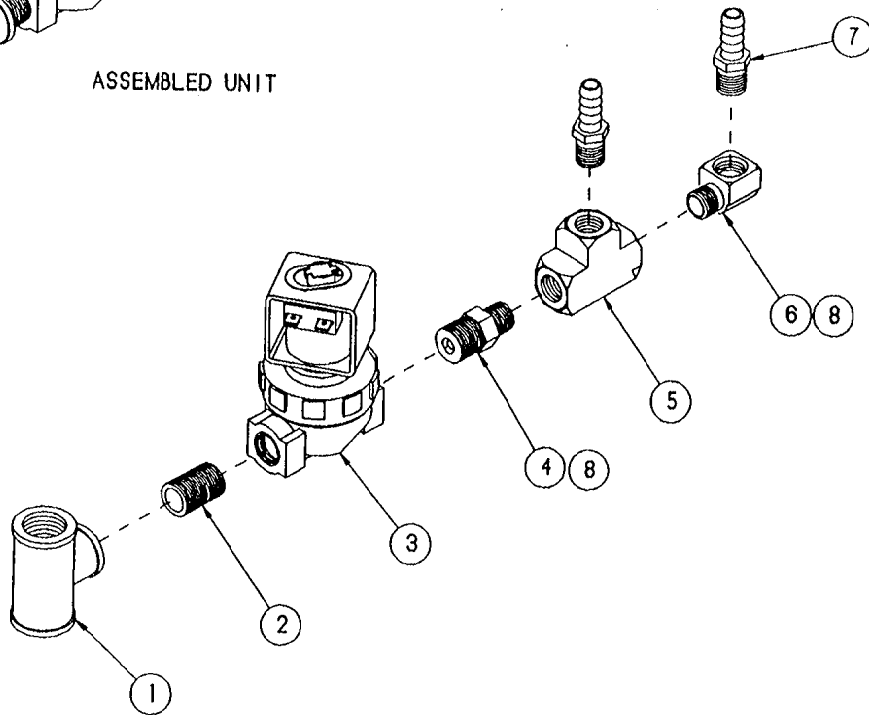
TOLERANCES (EXCEPT AS NOTED)		CLEVELAND RANGE INC. 1333 East 179th St. Cleveland, Ohio 44110-2574	
DECIMAL ± .030	SCALE 5/8"	DRAWN BY Dutchman	APPROVED BY
ANGULAR ± 1°	TITLE WATER VALVE ASSEMBLY CONVECTION		
CK	DATE 02-23-94	DRAWING NO. B - 106831	REV. -

THIS DESIGN DESCRIBES A PROPRIETARY ITEM AND IS THE PROPERTY OF CLEVELAND RANGE. THIS DRAWING IS NOT TO BE COPIED OR USED WITHOUT THE APPROVAL OF CLEVELAND RANGE.

LET	REVISIONS	DATE	BY
-----	-----------	------	----



ASSEMBLED UNIT



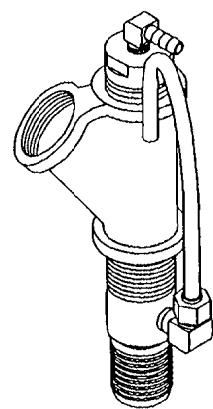
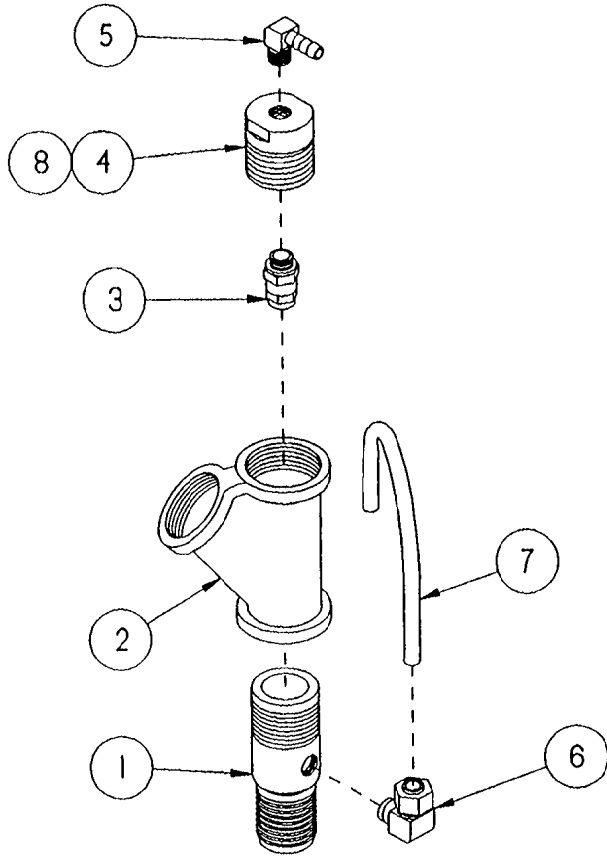
PRODUCTION

ITEM	QTY.	PART NO.	DESCRIPTION
8	A/R	00934	SEALANT, RECTORSEAL
7	2	105277	FITTING, HOSE BARB 3/8 H X 1/4 NPT
6	1	05235	ELBOW, STREET 1/4" X 90°, BRASS
5	1	20199	TEE, 1/4" BRASS
4	1	105699	FITTING, FLOW RESTRICTOR, 3/8 X 1/4
3	1	22224	VALVE, STEAM SOLENOID 1-80 PSI
2	1	14427	NIPPLE, 3/8 X CLOSE, BRASS
1	1	100676	TEE, 1/2 X 3/8 X 1/2, BRASS

TOLERANCES (EXCEPT AS NOTED)		CLEVELAND RANGE INC. 1333 East 179th St. Cleveland, Ohio 44110-2574	
DECIMAL ± N/A	SCALE 1/2"	DRAWN BY Dulchman	APPROVED BY
ANGULAR ± N/A	TITLE STEAM, INLET ASSEMBLY CONVECTION		
CK	DATE 02-23-94	DRAWING NO. B - 106830	REV. -

THIS DESIGN DESCRIBES A PROPRIETARY ITEM AND IS THE PROPERTY OF CLEVELAND RANGE. THIS DRAWING IS NOT TO BE COPIED OR USED WITHOUT THE APPROVAL OF CLEVELAND RANGE.

LET.	REVISIONS	DATE	BY
A	P/N 105787 WAS 08192 PER E.O. #C-2579	02-25-94	PJD



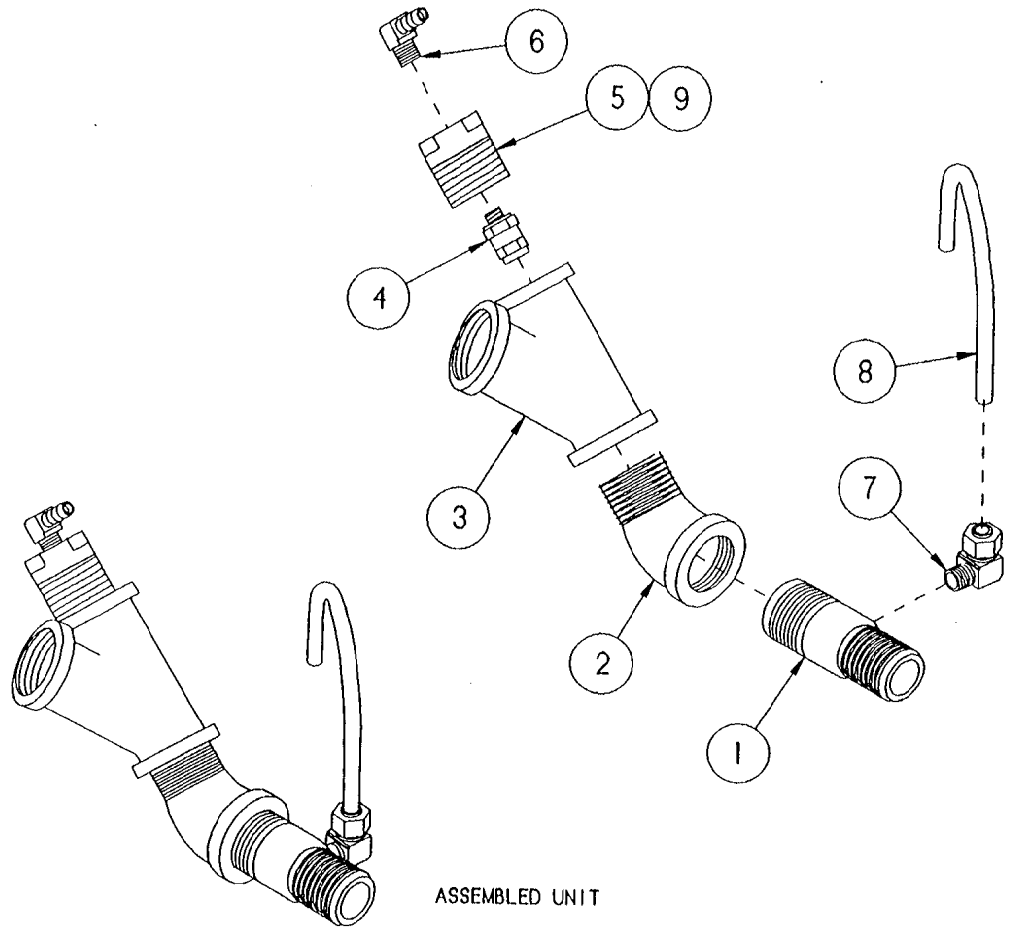
ASSEMBLED UNIT

ITEM	QTY.	PART NO.	DESCRIPTION
8	A/R	101051	NEVER-SEEZ
7	1	70732	TUBE, COPPER, DRAIN VENT
6	1	06233	FITTING, COMP. 3/8 T X 1/8 90°
5	1	105787	FITTING 1/4 H X 1/8 MPT 90°
4	1	06230	FITTING, COMPARTMENT DRAIN
3	1	14555	NOZZLE, SPRAY, 1/8 FULL JET
2	1	02139	BEND, "Y" BLACK
1	1	565191	FITTING, HOSE 1" W/ 1/8" HOLE

TOLERANCES (EXCEPT AS NOTED)		CLEVELAND RANGE INC. 1333 East 179th St. Cleveland, Ohio 44110-2574	
DECIMAL ± N/A	SCALE 1/2" = 1"	DRAWN BY PJD	APPROVED BY
ANGULAR ± N/A	TITLE DRAIN ASSEMBLY, CONVECTION UPPER COMPARTMENT		
CK	DATE 11-01-93	DRAWING NO. B - 106473	REV. A

THIS DESIGN DESCRIBES A PROPRIETARY ITEM AND IS THE PROPERTY OF CLEVELAND RANGE. THIS DRAWING IS NOT TO BE COPIED OR USED WITHOUT THE APPROVAL OF CLEVELAND RANGE.

LET.	REVISIONS	DATE	BY
A	P/N 105787 WAS 06192 PER E.O. #C-2579	02-25-94	PJD

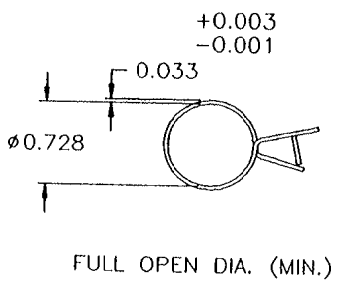
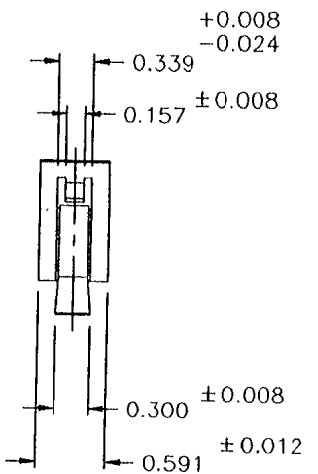
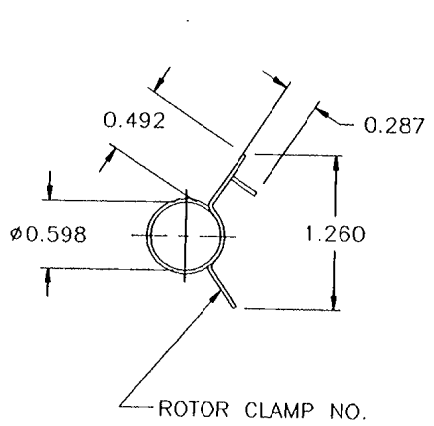


ITEM	QTY.	PART NO.	DESCRIPTION
9	A/R	101051	NEVER-SEEZ
8	1	70732	FITTING, HOSE 3/8 H X 1/8 MPT, 90°
7	1	06233	FITTING, COMP. 3/8 T X 1/8 90°
6	1	105787	FITTING 1/4 H X 1/8 MPT 90°
5	1	06230	FITTING, COMPARTMENT DRAIN
4	1	14555	NOZZLE, SPRAY, 1/8" FULL JET
3	1	02139	BEND, "Y" BLACK
2	1	05227	ELBOW, STREET 1" X 45° BLACK
1	1	565191	FITTING, HOSE 1" W/ 1/8" HOLE

THIS DESIGN DESCRIBES A PROPRIETARY ITEM AND IS THE PROPERTY OF CLEVELAND RANGE. THIS DRAWING IS NOT TO BE COPIED OR USED WITHOUT THE APPROVAL OF CLEVELAND RANGE.

TOLERANCES (EXCEPT AS NOTED)		CLEVELAND RANGE INC. 1333 East 179th St. Cleveland, Ohio 44110-2574	
DECIMAL ± N/A	SCALE 1/2" = 1"	DRAWN BY PJD	APPROVED BY
ANGULAR ± N/A	TITLE DRAIN ASSEMBLY, CONVECTION LOWER COMPARTMENT		
CK	DATE 11-01-93	DRAWING NO. B - 1064731	REV. A

LET.	REVISIONS	DATE	BY
------	-----------	------	----



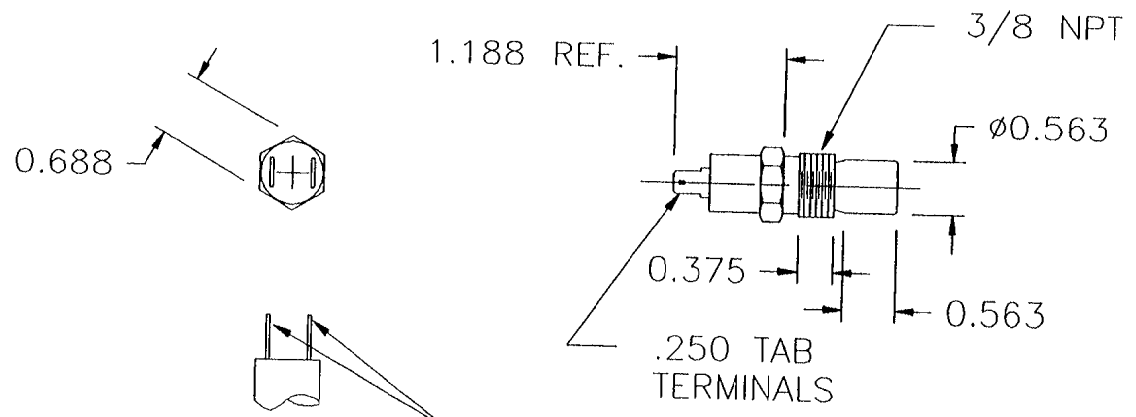
APPROVED SOURCE :
 ALEXANDER SALES
 ROTOR CLIP P/N = #CTB-17 ST DB

SPECIFICATIONS :
 MATERIAL = CHROME VANADIUM STEEL SAE 6150
 (DIN 17222, JIS G 4802)
 FINISH = DORRIFLAKE BLACK
 COLOR = BLACK

THIS DESIGN DESCRIBES A PROPRIETARY ITEM AND IS THE PROPERTY OF CLEVELAND RANGE.
 THIS DRAWING IS NOT TO BE COPIED OR USED WITHOUT THE APPROVAL OF CLEVELAND RANGE

ITEM	QTY	PART NO.	DESCRIPTION
TOLERANCES (EXCEPT AS NOTED)		CLEVELAND RANGE INC. 1333 East 179th St. Cleveland, Ohio 44110-2574	
DECIMAL ± .030	SCALE 1=1	DRAWN BY PJD	APPROVED BY
ANGULAR ± 1°	TITLE CLAMP, HOSE (5/8" O.D. HOSE) METAL TENSION BAND		
AC	DATE 11/11/01	DRAWING NO. D-107007	REV

LET.	REVISIONS	DATE	BY
A	ADDED APPROVED SOURCE NO. 2	1-03-78	DK
B	1) WAS MODEL NO. 5022-2-181 2) ADDED TO APPROVED SOURCE NO.1	5-06-81	FGF
C	WAS MODEL NO. 08-810211-045 REVISED PER ECN #1017	1-16-85	JM
D	REF: FENWAL INC. ADD: C.S.A. FILE NO. PER ECO #1202	9-30-87	DJP
-	REDRAWN (ACAD), NO CHANGE	10-21-93	CCAD



SPECIFICATIONS:
CLOSE ON RISE ~ 193 ± 5°F
OPEN ~ 173 ± 7°F
UL APPROVED

NOTE:
STRAIGHTEN TABS
TO ALLOW FOR
SOCKET WRENCH.

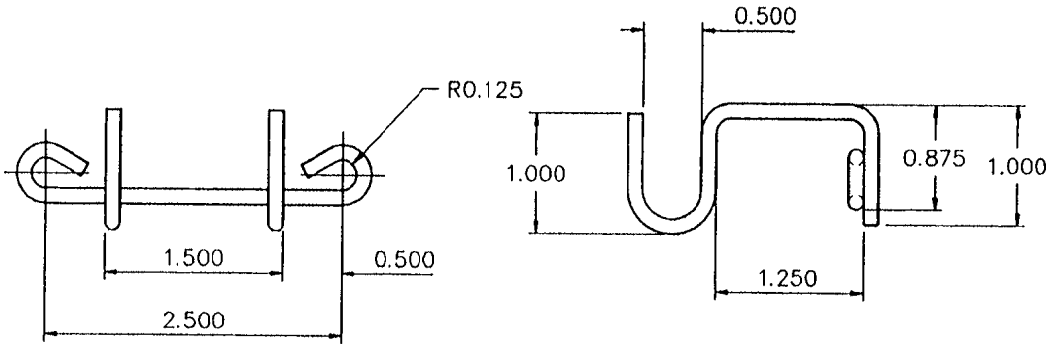
APPROVED SOURCE

- PROTECTIVE CONTROLS INC.
MODEL NO. 5100-002-181
U.L. FILE NO. E 36687
C.S.A FILE NO. LR 25561
- FENWAL INCORPORATED
MODEL NO. 08-809004-001
U.L. FILE NO. E18974C
C.S.A. FILE NO. LR7378-111

THIS DESIGN DESCRIBES A PROPRIETARY ITEM AND IS THE PROPERTY OF CLEVELAND RANGE.
THIS DRAWING NOT TO BE COPIED OR USED WITHOUT THE APPROVAL OF CLEVELAND RANGE

ITEM	QTY	PART NO.	DESCRIPTION	
TOLERANCES (EXCEPT AS NOTED)		CLEVELAND RANGE INC. 1333 East 179th St. Cleveland, Ohio 44110-2574		
DECIMAL ± -	SCALE 1=2	DRAWN BY TKB	APPROVED BY	
ANGULAR ± 1°	TITLE THERMAL SWITCH			
AC	DATE 5-29-74	DRAWING NO. A- 19972	REV D	

LET.	REVISIONS	DATE	BY
A	REDESIGNED PER EO C-2579R1.	7-18-94	EJK



MATERIAL: 304 STAINLESS STEEL WIRE
11 GAGE (.120)

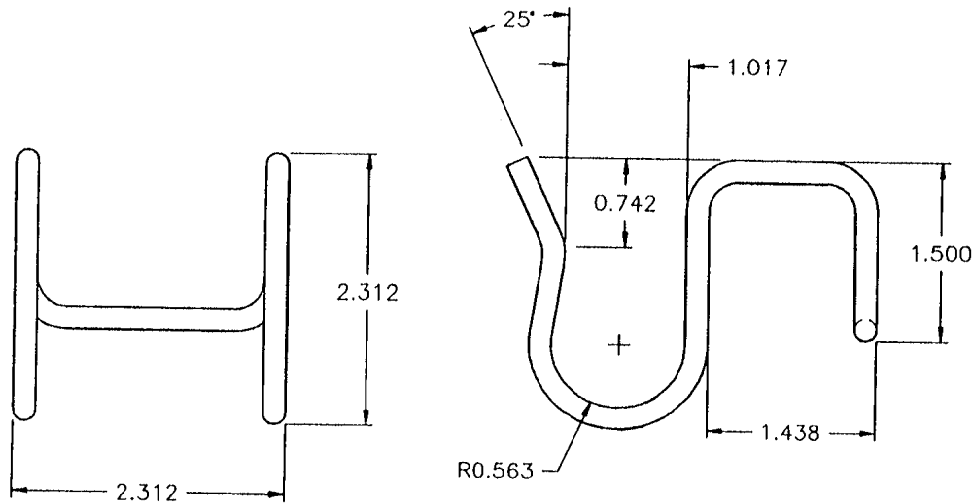
ITEM	QTY	PART NO.	DESCRIPTION	
TOLERANCES (EXCEPT AS NOTED)		CLEVELAND RANGE INC. 1333 East 179th St. Cleveland, Ohio 44110-2574		
DECIMAL $\pm .125$	SCALE 1=1	DRAWN BY EJK	APPROVED BY	
ANGULAR $\pm 1^\circ$	TITLE BRACKET, WIRE CONDENSER SOL.			
AC	DATE 10-20-92	DRAWING NO. B- 106159	REV A	

THIS DESIGN DESCRIBES A PROPRIETARY ITEM AND IS THE PROPERTY OF CLEVELAND RANGE.
THIS DRAWING IS NOT TO BE COPIED OR USED WITHOUT THE APPROVAL OF CLEVELAND RANGE

NOTES:

1. ALL BEND RADII ARE .25 UNLESS OTHERWISE SPECIFIED.

LET.	REVISIONS	DATE	BY
------	-----------	------	----



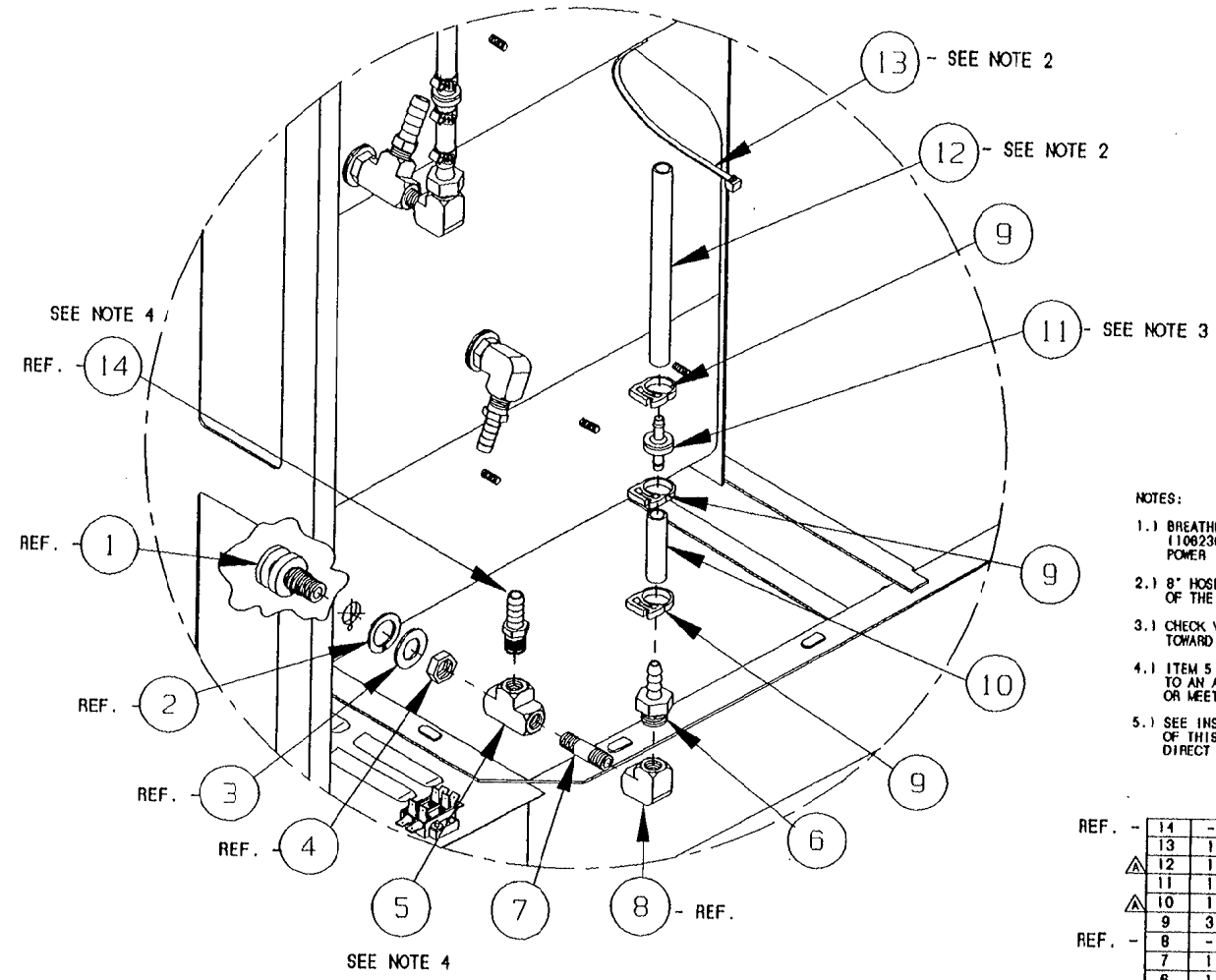
MATERIAL:
WIRE, STAINLESS STEEL, 304
3/16 DIA WIRE

ITEM	QTY	PART NO.	DESCRIPTION
TOLERANCES (EXCEPT AS NOTED)		CLEVELAND RANGE INC. 1333 East 179th St. Cleveland, Ohio 44110-2574	
DECIMAL ± .030	SCALE 1=1	DRAWN BY JPB	APPROVED BY
ANGULAR ± 1°	TITLE BRACKET, WIRE, VALVE SUPPORT		
AC	DATE 1/10/94	DRAWING NO. B-106752	REV -

THIS DESIGN DESCRIBES
THIS DRAWING IS A

PROPRIETARY ITEM AND IS THE PROPERTY OF CLEVELAND RANGE.
BE COPIED OR USED WITHOUT THE APPROVAL OF CLEVELAND RANGE

LET.	REVISIONS	DATE	BY
A	SEE E.O. #C-2785	12-18-94	PJD



NOTES:

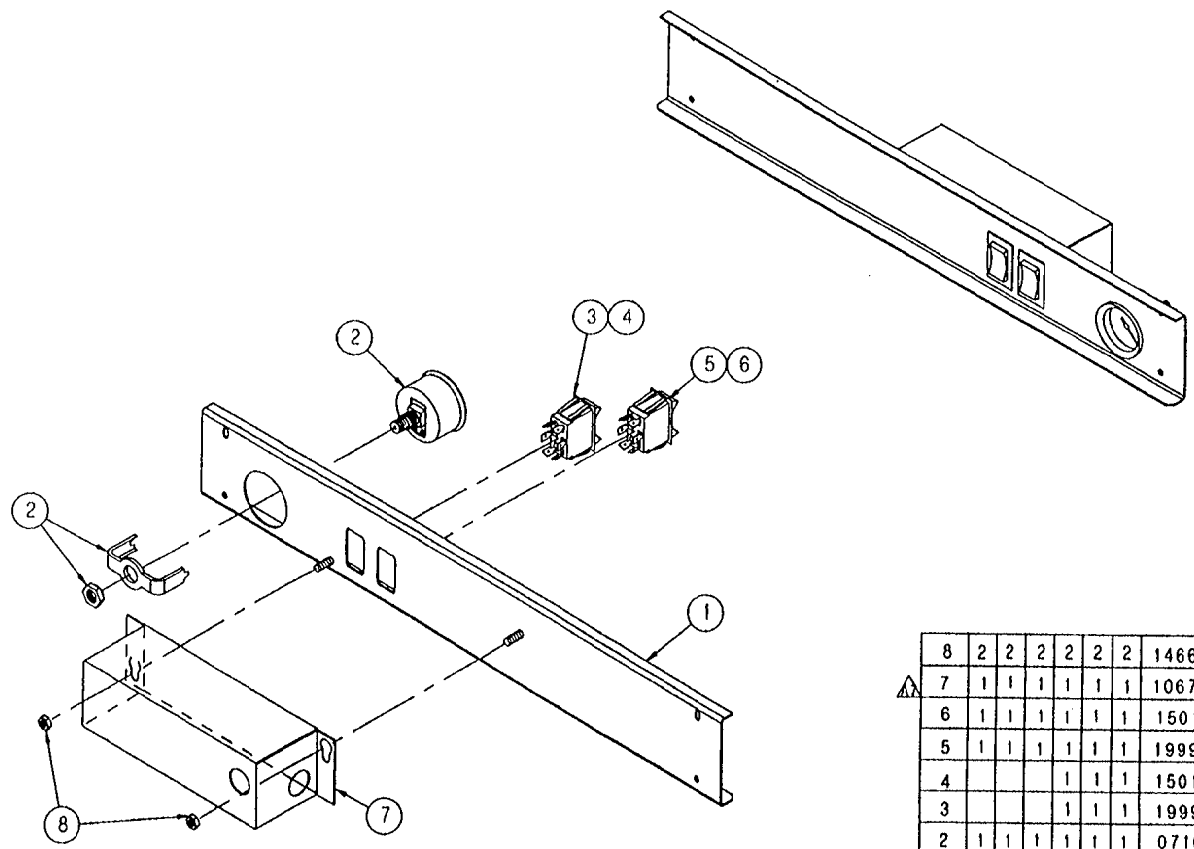
- 1.) BREATHER ASSY. (107059) TO REPLACE ONE SPRAY NOZZLE ASSY. (1108230) ONE PLACE PER CAVITY ON ALL CONVECTION, POWER 10 AND DIRECT CONNECT 10 UNITS.
- 2.) 8" HOSE IS TO BE SECURED WITH NYLON CABLE TO THE HOSE OF THE SPRAY NOZZLE ASSY. DIRECTLY ABOVE THE NEW ASSY.
- 3.) CHECK VALVE - SIDE WHICH READS "VAC" MUST FACE DOWN TOWARD HOSE BARB
- 4.) ITEM 5 (P/N 20199) AND ITEM 14 (P/N 105277) TO BE ROTATED TO AN ANGLE THAT WILL MATCH THE OTHER SPRAY NOZZLES OR MEET A MATING HOSE FITTING
- 5.) SEE INSTRUCTIONAL DRAWING 280ALC1-280ALC3 FOR INSTALLATION OF THIS ASSEMBLY INTO THE CONVECTION, POWER 10 AND DIRECT CONNECT STEAMER UNITS.

REF.	QTY.	PART NO.	DESCRIPTION
REF. -	14	105277	FITTING, 3/8 HOSE X 1/4 MPT
	13	20451	TIE, NYLON CABLE
△	12	1043790500	HOSE, SILICONE 1/4 ID X 1/2 OD X 5'
	11	107032	CHECK VALVE, PLASTIC DIAPHRAGM
△	10	1043790300	HOSE, SILICONE 1/4 ID X 1/2 OD X 3'
	9	14883	CLAMP, HOSE, NYLON
REF. -	8	05236	ELBOW, 1/4 X 90°, BRASS
	7	14411	NIPPLE, 1/4 X 1.5", BRASS
	6	104381	FITTING, 1/4 HOSE X 1/4 MPT
	5	20199	TEE, 1/4 BRASS
	4	104081	NUT, HEX JAM 5/8-18 BRASS
	3	104232	WASHER, FLAT 6/S
REF. -	2	104082	GASKET, STEAM INJECTOR
	1	104009	FITTING ASSY., STEAM SUPPLY
	ITEM	QTY.	PART NO.
			DESCRIPTION

TOLERANCES (EXCEPT AS NOTED)			
CLEVELAND RANGE INC. 1333 East 179th St. Cleveland, Ohio 44110-2574			
DECIMAL ± N/A	SCALE 3/16=1	DRAWN BY DUTCHMAN	APPROVED BY
ANGULAR ± N/A	TITLE BREATHER/SPRAY NOZZLE ASSY. (3/8" HOSE) CONVECTION, POWER 10 AND D.C. 10		
CK	DATE 09-15-94	DRAWING NO. C - 107059	REV. A

THIS DESIGN DESCRIBES A PROPRIETARY ITEM AND IS THE PROPERTY OF CLEVELAND RANGE. THIS DRAWING IS NOT TO BE COPIED OR USED WITHOUT THE APPROVAL OF CLEVELAND RANGE.

LET	REVISIONS	DATE	BY
A	DELETED P/H 23116. P/H'S REVISED:	05-19-94	EAG
-	1) 105133 WAS 1041543. 2) 105134 WAS		
-	1041514. 3) 105135 WAS 1041545.		
-	4) 1051331 WAS 104154. 5) 1051341 WAS		
-	1041541. 6) 1051351 WAS 1041542.		
-	7) P/H 108740 WAS 105516. E.O. C-2843		



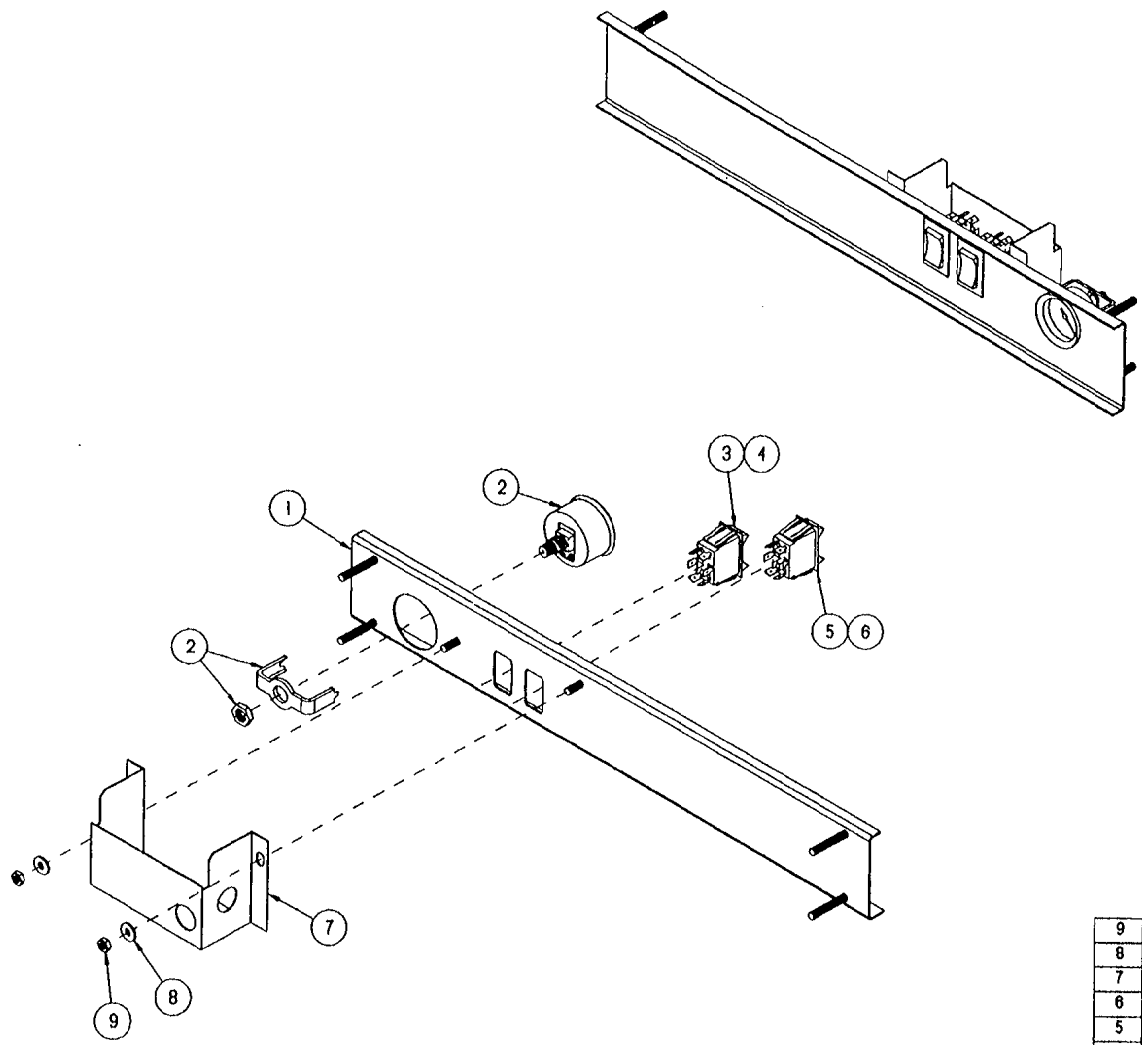
**Low Water light
109899**

**Low water label
109765**

	8	2	2	2	2	2	2	14665	NUT, HEX LOCK ELASTIC, 1/4-20, S/S	
▲	7	1	1	1	1	1	1	106740	BOX, SWITCH PROTECTION	
	6	1	1	1	1	1	1	15018	LABEL, POWER, CONSOLE SWITCH	
	5	1	1	1	1	1	1	19993	SWITCH, ROCKER, DPDT, ON-OFF, 6 AMP	
	4				1	1	1	15019	LABEL, STEAM-CONSOLE SWITCH	
	3				1	1	1	19994	SWITCH, ROCKER, SPST, 15 AMP	
	2	1	1	1	1	1	1	07168	GAUGE, PRESSURE, BACK MOUNT, 10 PSI	
▲				1				1051351	CONSOLE STUD ASSY, 1050 MM 1 SWITCH	
▲				1				1051341	CONSOLE STUD ASSY, 900 MM 1 SWITCH	
▲	1	1						1051331	CONSOLE STUD ASSY, 600 MM 1 SWITCH	
▲							1	105135	CONSOLE STUD ASSY, 1050 MM 2 SWITCH	
▲							1	105134	CONSOLE STUD ASSY, 900 MM 2 SWITCH	
▲							1	105133	CONSOLE STUD ASSY, 600 MM 2 SWITCH	
ITEM								QTY.	PART NO.	DESCRIPTION

TOLERANCES (EXCEPT AS NOTED)		CLEVELAND RANGE INC. 1333 East 179th St. Cleveland, Ohio 44110-2574		
DECIMAL ± N/A	SCALE 3/8	DRAWN BY DUTCHMAN	APPROVED BY	
ANGULAR ± 1°	TITLE CONSOLE ASSY, 1 & 2 SWITCH CONTROL			
DATE 10-08-93	DRAWING NO. C - 104807 TO 16	REV. 5		A

THIS DESIGN DESCRIBES A PROPRIETARY ITEM AND IS THE PROPERTY OF CLEVELAND RANGE. THIS DRAWING IS NOT TO BE COPIED OR USED WITHOUT THE APPROVAL OF CLEVELAND RANGE.



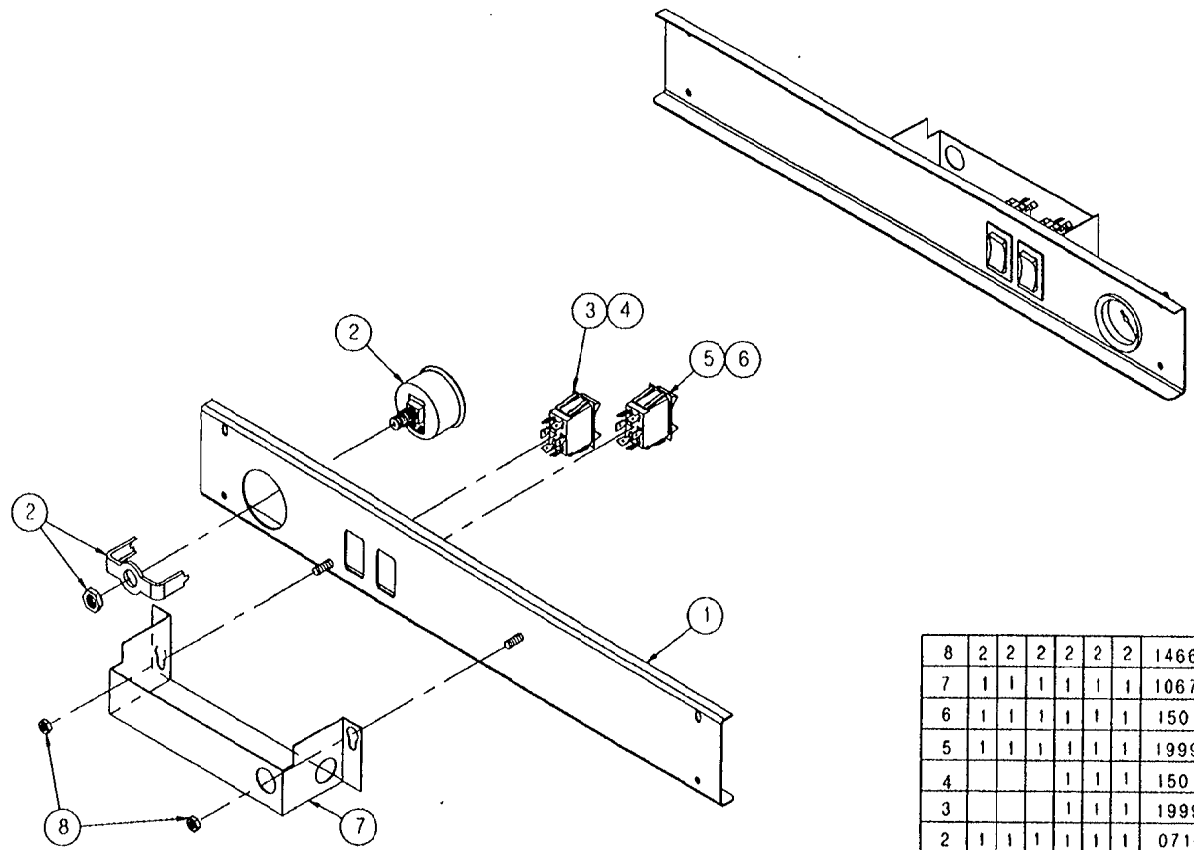
Low Water light
109899

Low water label
109765

ITEM	QTY.	PART NO.	DESCRIPTION
9	2	14665	NUT, HEX LOCK ELASTIC, 1/4-20, S/S
8	2	23118	WASHER, FLAT, 1/4 ID X 5/8 OD X .065
7	1	105516	BOX, SWITCH PROTECTION
6	1	15018	LABEL, POWER, CONSOLE SWITCH
5	1	19993	SWITCH, ROCKER, DPDT, ON-OFF, 8 AMP
4	1	15019	LABEL, STEAM-CONSOLE SWITCH
3	1	19994	SWITCH, ROCKER, SPST, 15 AMP
2	1	07168	GAUGE, PRESSURE, BACK MOUNT, 10 PSI
1	1	1041543	CONSOLE STUD ASSY, 900 MM 2 SWITCH

TOLERANCES (UNLESS AS NOTED)		CLEVELAND RANGE INC. 1333 East 179th St. Cleveland, Ohio 44110-2574	
DECIMAL ± N/A	SCALE 3/8	DRAWN BY E. GRIVEAS	APPROVED BY NLT
ANGULAR ± 1°	TITLE CONSOLE ASSY, 800 MM, 2 SWITCH CONTROL		
CK	DATE 10-08-93	DRAWING NO. C - 1048073	REV -

THIS DESIGN DESCRIBES A PROPRIETARY ITEM AND IS THE PROPERTY OF CLEVELAND RANGE. THIS DRAWING IS NOT TO BE COPIED OR USED WITHOUT THE APPROVAL OF CLEVELAND RANGE.



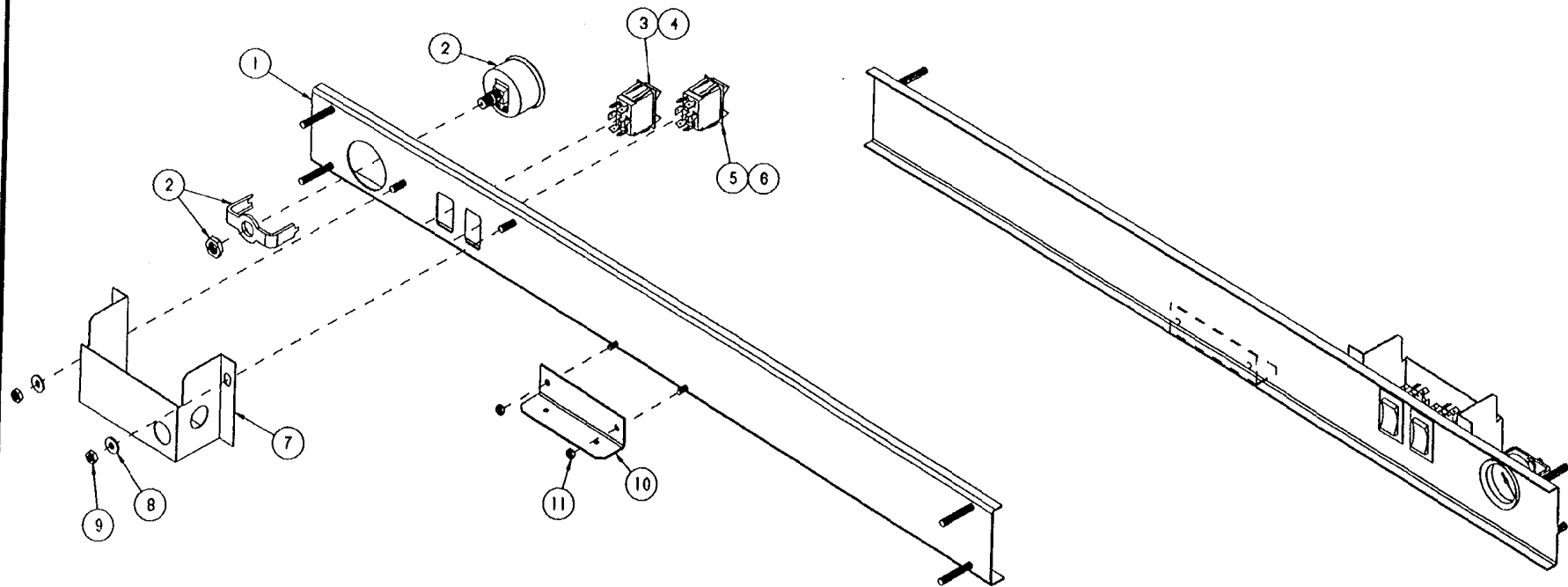
Low Water
light 109899

Low water
label 109765

8	2	2	2	2	2	2	14665	NUT, HEX LOCK ELASTIC, 1/4-20, S/S
7	1	1	1	1	1	1	106739	BOX, SWITCH PROTECTION
6	1	1	1	1	1	1	15018	LABEL, POWER, CONSOLE SWITCH
5	1	1	1	1	1	1	19993	SWITCH, ROCKER, DPDT, ON-OFF, 6 AMP
4				1	1	1	15019	LABEL, STEAM-CONSOLE SWITCH
3				1	1	1	19994	SWITCH, ROCKER, SPST, 15 AMP
2	1	1	1	1	1	1	07168	GAUGE, PRESSURE, BACK MOUNT, 10 PSI
1			1				1051351	CONSOLE STUD ASSY, 1050 MM 1 SWITCH
			1				1051341	CONSOLE STUD ASSY, 900 MM 1 SWITCH
	1						1051331	CONSOLE STUD ASSY, 600 MM 1 SWITCH
						1	105135	CONSOLE STUD ASSY, 1050 MM 2 SWITCH
						1	105134	CONSOLE STUD ASSY, 900 MM 2 SWITCH
				1				105133
ITEM	QTY.		PART NO.		DESCRIPTION			

106193	1061931	1061932	1061933	1061934	1061935	TOLERANCES <small>(EXCEPT AS NOTED)</small> DECIMAL ± N/A ANGULAR ± 1°		CLEVELAND RANGE INC. 1333 East 179th St. Cleveland, Ohio 44110-2574	
1	2	2	2	2	2	SCALE 3/8	DRAWN BY E. GRIVEAS	APPROVED BY	
SWITCH CONTROL	SWITCH CONTROL		SWITCH CONTROL			TITLE CONSOLE ASSY, TABLETOP W/TR 1 & 2 SWITCH CONTROL			
DATE 05-19-34	DRAWING NO. C - 106193 TO 1061935		REV						

THIS DESIGN DESCRIBED AND IS THE PROPERTY OF CLEVELAND RANGE. THIS DRAWING IS NOT TO BE COPIED OR USED WITHOUT THE APPROVAL OF CLEVELAND RANGE.



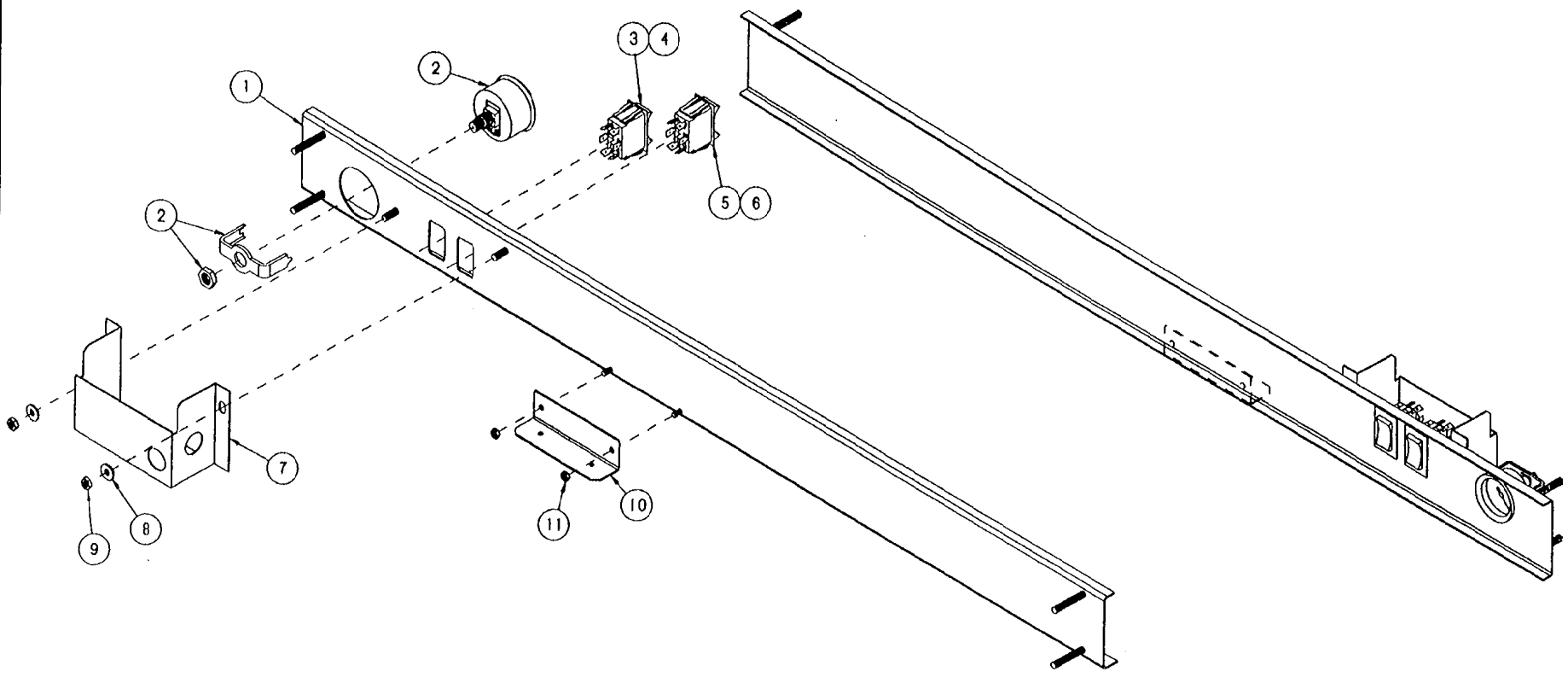
Low Water Light
109899

Low water
label 109765

ITEM	QTY	PART NO.	DESCRIPTION
11	2	14692	NUT, HEX LOCK ELASTIC, 10-24 ZINC PL
10	1	102535	BRACKET, MAGNET MOUNT
9	2	14865	NUT, HEX LOCK ELASTIC, 1/4-20, S/S
8	2	23118	WASHER, FLAT, 1/4 ID X 5/8 OD X .085
7	1	105510	BOX, SWITCH PROTECTION
6	1	15018	LABEL, POWER, CONSOLE SWITCH
5	1	19993	SWITCH, ROCKER, DPDT, ON-OFF, 8 AMP
4	1	15019	LABEL, STEAM-CONSOLE SWITCH
3	1	19994	SWITCH, ROCKER, SPST, 15 AMP
2	1	07168	GAUGE, PRESSURE, BACK MOUNT, 10 PSI
1	1	1041544	CONSOLE STUD ASSY, 900 MM 2 SWITCH

TOLERANCES (EXCEPT AS NOTED)			
CLEVELAND RANGE INC. 1333 East 179th St. Cleveland, Ohio 44110-2574			
DECIMAL ± N/A	SCALE 3/8	DRAWN BY E. GRIVEAS	APPROVED BY NLT
ANGULAR ± 1°	TITLE CONSOLE ASSY, 900 MM, 2 SWITCH CONTROL		
CK	DATE 09-20-93	DRAWING NO. C - 1048074	REV -

THIS DESIGN DESCRIBES A PROPRIETARY ITEM AND IS THE PROPERTY OF CLEVELAND RANGE. THIS DRAWING IS NOT TO BE COPIED OR USED WITHOUT THE APPROVAL OF CLEVELAND RANGE.



Low Water light
109899

Low water
label 109765

ITEM	QTY.	PART NO.	DESCRIPTION
11	2	14892	NUT, HEX LOCK ELASTIC, 10-24 ZINC PL
10	1	102535	BRACKET, MAGNET MOUNT
9	2	14665	NUT, HEX LOCK ELASTIC, 1/4-20, S/S
8	2	23118	WASHER, FLAT, 1/4 ID X 5/8 OD X .08
7	1	105518	BOX, SWITCH PROTECTION
6	1	15018	LABEL, POWER, CONSOLE SWITCH
5	1	19993	SWITCH, ROCKER, DPDT, ON-OFF, 6 AMP
4	1	15019	LABEL, STEAM-CONSOLE SWITCH
3	1	19994	SWITCH, ROCKER, SPST, 15 AMP
2	1	07168	GAUGE, PRESSURE, BACK MOUNT, 10 PSI
1	1	1041545	CONSOLE STUD ASSY, 1050 MM 2 SWITCH

TOLERANCES (EXCEPT AS NOTED)		CLEVELAND RANGE INC. 1339 East 179th St. Cleveland, Ohio 44110-2574	
DECIMAL ± N/A	SCALE 3/8	DRAWN BY E. GRIVEAS	APPROVED BY MLT
ANGULAR ± 1°	TITLE CONSOLE ASSY, 1050 MM. 2 SWITCH CONTROL		
CK	DATE 08-17-93	DRAWING NO. C - 1048075	REV -

THIS DESIGN DESCRIBES A PROPRIETARY ITEM AND IS THE PROPERTY OF CLEVELAND RANGE. THIS DRAWING IS NOT TO BE COPIED OR USED WITHOUT THE APPROVAL OF CLEVELAND RANGE.